



PARTS CATALOGUE

MZ175 (7CNB) COLOMBIA, MALAYSIA

MZ175 (7CNC) CHINA, OTHER

MZ175
PARTS CATALOGUE
©2004 by Yamaha Motor Co., Ltd.
1st edition, August 2004
All rights reserved.
Any reprinting or unauthorized use
without the written permission of
Yamaha Motor Co., Ltd.
is expressly prohibited.
Printed in Japan.

FOREWORD

This Parts Catalogue is related to the parts for the model(s) on the cover page. When you are ordering replacement parts, please refer to this Parts Catalogue and quote both part numbers and part names correctly.

1. Modifications or additions which have been made after the issue of the Parts Catalogue will be announced in the Parts News.

It is advisable that you make the necessary corrections to the Parts Catalogue according to the Parts News.

2. Abbreviations

The following abbreviations are used in this Parts Catalogue.

“UR” Use specified parts number.

“UN” Use as many as needed.

“AP” Alternate Parts

“LM” Locally Made (Parts need to be ordered locally)

“F#” Frame No. (Applicable machine No.)

“O/S” Over Size

3. The number of components for assembly

- Parts, which are to be supplied in an assembly, are listed with a dot (.) in front of the part name as shown below.
- The numeral appearing to the right of each component part indicates the quantity of parts for each assembly unit.

PART NO.	DESCRIPTION	Q'TY	REMARKS
2F5-83310-60	FRONT FLASHER LIGHT ASSY	2	
115-83311-60	.BULB (6V-18W)	1	

4. Applicable colours of graphics are represented in the “REMARKS” as shown below.

PART NO.	DESCRIPTION	Q'TY	REMARKS
2N4-24110-00-X5	FUEL TANK COMP.	2	MXR
3J1-24240-10	.GRAPHIC, FUEL TANK	1	FOR MXR

5. Note that the illustrations for reference in finding parts numbers are not to be used for assembling. When assembling, please use the applicable service manual.

6. The asterisk (*) before a reference number indicates modified items after the first edition.

FOREWORD

Engine Serial No.

This parts catalogue is related to the parts for the models in the list below.

MODEL CODE	MODEL NAME	SPECIFICATION (OUT LINE)	ENGINE SERIAL NO.
7CNB	MZ175K2-60	P.T.O. SHAFT K TYPE, MOUNT FACE B (UNF)	7CN-1000101
7CNB	MZ175K2-50	P.T.O. SHAFT K TYPE, MOUNT FACE B (UNF)	7CN-2000101
7CNC	MZ175L2	P.T.O. SHAFT L TYPE, MOUNT FACE A (M8)	7CN-1000101
7CNC	MZ175L2U	P.T.O. SHAFT L TYPE, MOUNT FACE A (M8) EXHAUST LESS	7CN-2000101

CONTENTS

CYLINDER	1
CRANKSHAFT	2
CRANKSHAFT & PISTON	3
GOVERNOR 1	4
GOVERNOR 2	5
CAMSHAFT & VALVE	6
AIR SHROUD & STARTER	7
INTAKE	8
CARBURETOR	9
EXHAUST	10
CRANKCASE	11
FUEL TANK	12
MAGNETO	13
ELECTRICAL 1	14
EMBLEM & LABEL	15
BODY FITTING	16

INDEX

NUMERICAL INDEX	17
-----------------------	----

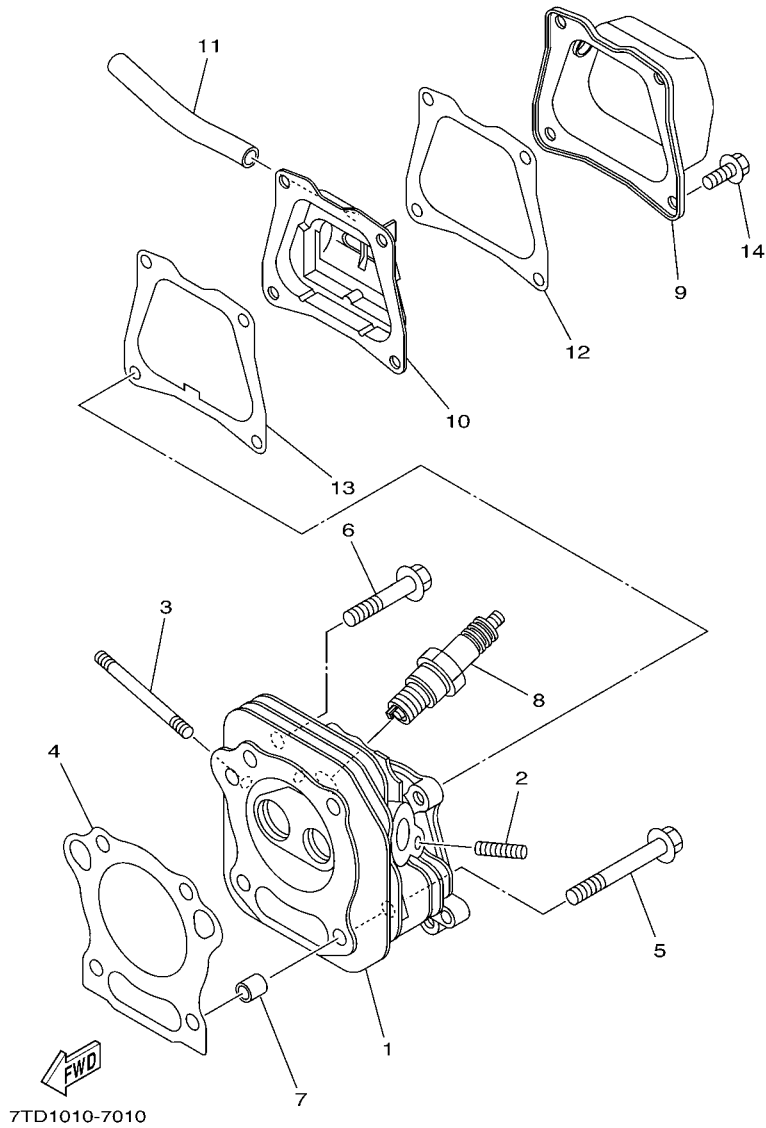
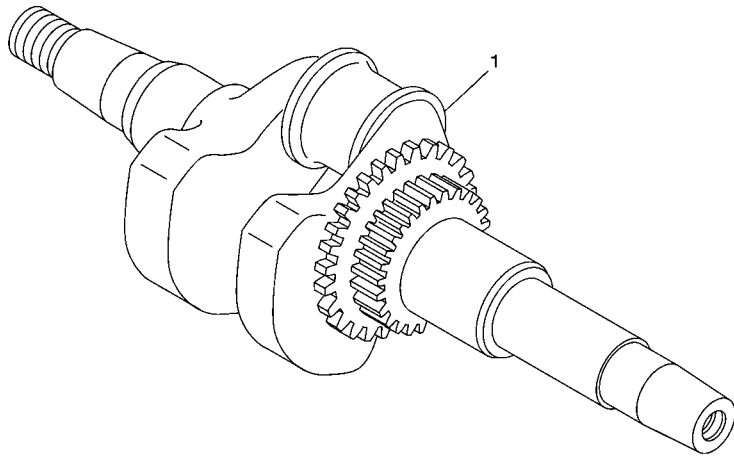
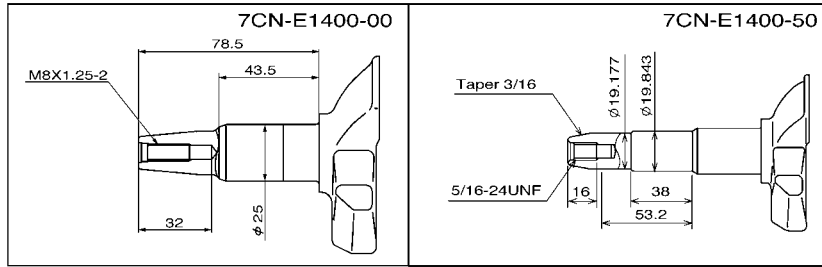


FIG. 1 CYLINDER

REF. NO.	PART NO.	DESCRIPTION	7CNB	7CNC	REMARKS
1	7CN-E1111-00	HEAD, CYLINDER 1	1	1	
2	95607-06615	BOLT, STUD	2	2	
3	90116-06807	BOLT, STUD	2	2	
4	7CN-E1181-00	GASKET, CYLINDER HEAD 1	1	1	
5	95827-08065	BOLT, FLANGE	2	2	
6	95827-08045	BOLT, FLANGE	2	2	
7	99530-10114	PIN, DOWEL	2	2	
8	94702-00331	PLUG, SPARK (NGK BPR4ES)	1	1	
9	7CN-E1191-00	COVER, CYLINDER HEAD 1	1	1	
10	7CN-E1160-00	BREATHER ASSY	1	1	
11	90445-13800	HOSE	1	1	
12	7CN-E1169-00	GASKET, BREATHER COVER	1	1	
13	7CN-E1193-00	GASKET, HEAD COVER 1	1	1	
14	95827-06012	BOLT, FLANGE	4	4	

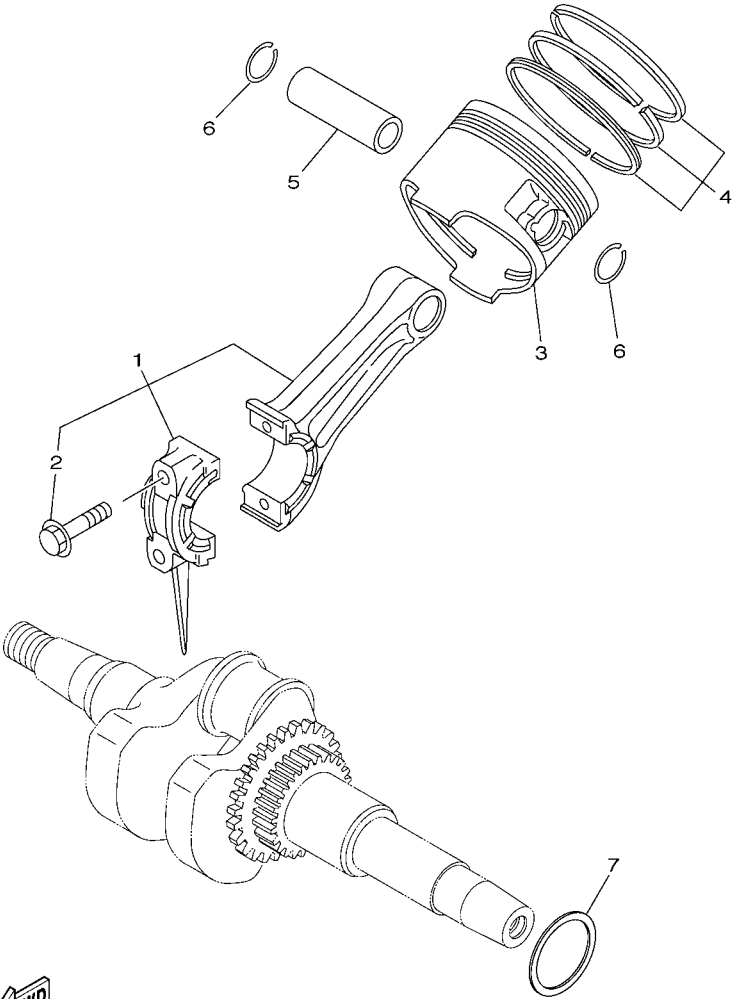


7CNB400-C020

FIG. 2 CRANKSHAFT

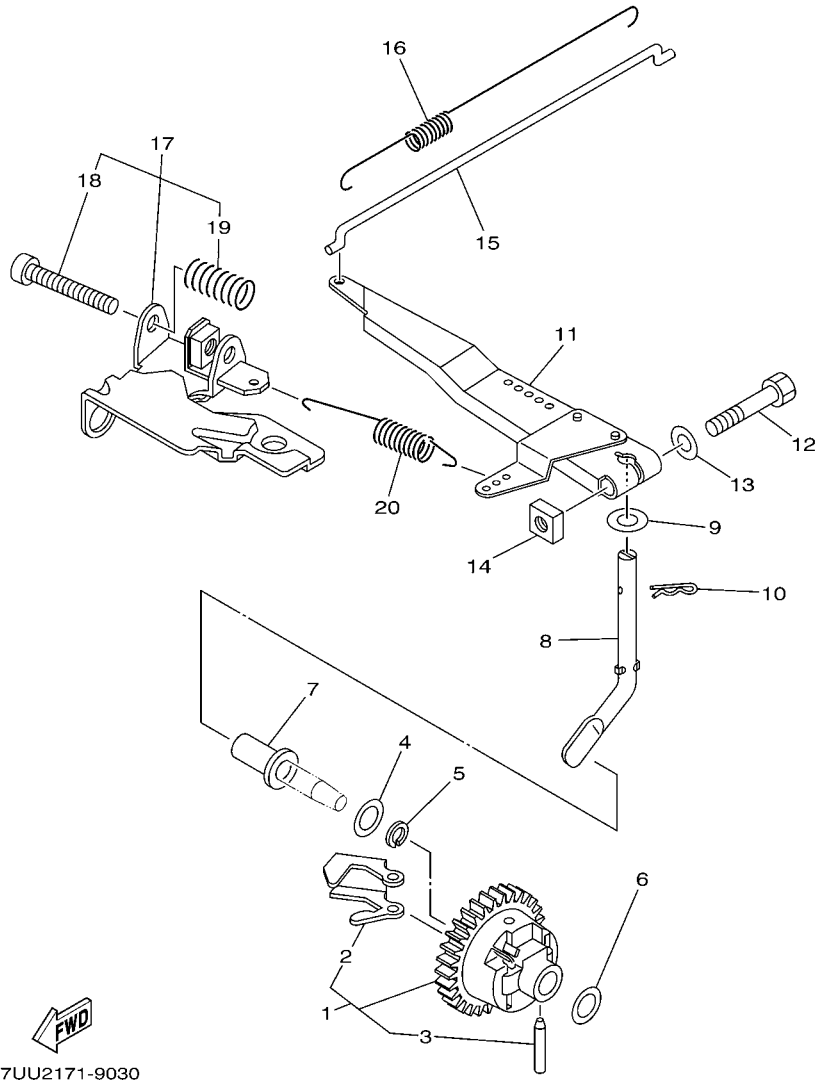
REF. NO.	PART NO.	DESCRIPTION	7CNB	7CNC		REMARKS
1	7CN-E1400-50	CRANKSHAFT ASSY	1			
	7CN-E1400-00	CRANKSHAFT ASSY		1		

FIG. 3 CRANKSHAFT & PISTON




7WC3110-A030

REF. NO.	PART NO.	DESCRIPTION	7CNB	7CNC		REMARKS
1	7CN-E1650-00	CONNECTING ROD ASSY	1	1		
2	7CN-E1654-00	.BOLT, CONNECTING ROD	2	2		
3	7CN-E1631-00	PISTON (STD)	1	1		
	7CN-E1635-00	PISTON (0.25MM O/S)	1	1		AP
	7CN-E1636-00	PISTON (0.50MM O/S)	1	1		AP
4	7CN-E1610-00	PISTON RING SET (STD)	1	1		
	7CN-E1610-10	PISTON RING SET (0.25MM O/S)	1	1		AP
	7CN-E1610-20	PISTON RING SET (0.50MM O/S)	1	1		AP
5	7CN-E1633-00	PIN, PISTON	1	1		
6	93450-17828	CIRCLIP	2	2		
7	7CN-E1561-00	SHIM, CRANK 1	1	1		UN



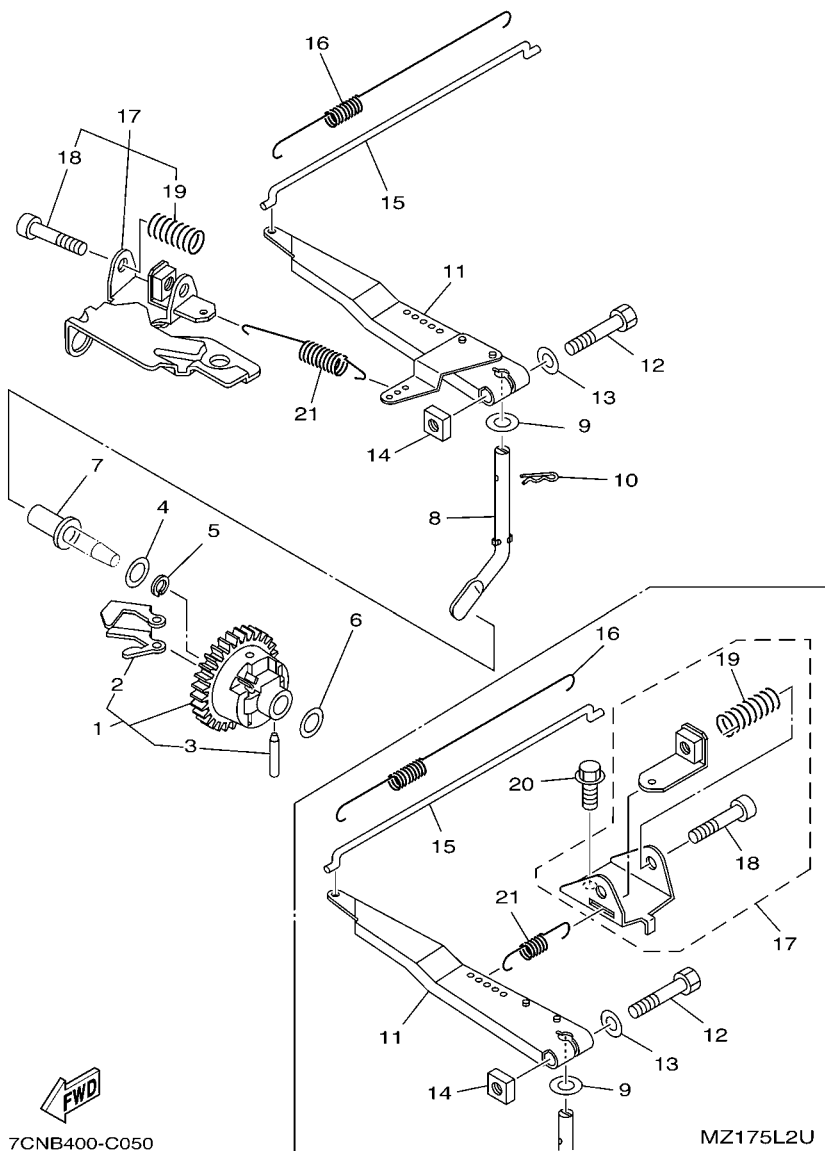
FWD
7UU2171-9030

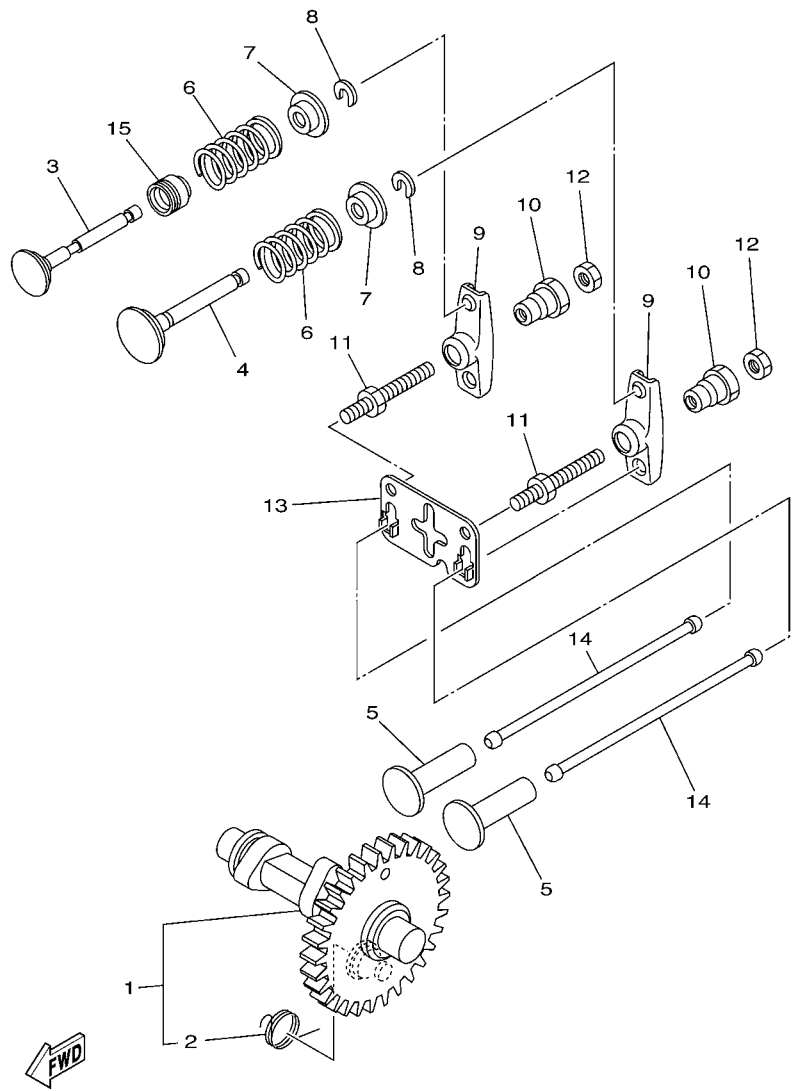
FIG. 4 GOVERNOR 1

REF. NO.	PART NO.	DESCRIPTION	7CNB	7CNC		REMARKS
1	7CN-E1970-00	FLYWEIGHT SHAFT ASSY.	1			
2	7CN-E1913-00	.WEIGHT	2			
3	7CN-E1914-00	.SHAFT, WEIGHT	2			
4	90201-06842	WASHER, PLATE	1			
5	93440-06826	CIRCLIP	1			
6	90201-06842	WASHER, PLATE	1			
7	7CN-E1917-00	COLLAR	1			
8	7CN-E1922-00	FORK, GOVERNOR	1			
9	92907-06200	WASHER	1			
10	90468-18800	CLIP	1			
11	7CN-E1924-10	ARM, GOVERNOR	1			
12	97027-06030	BOLT	1			
13	92907-06600	WASHER, PLATE	1			
14	90173-06802	NUT, SQUARE	1			
15	7CN-E1928-00	ROD, LINK	1			
16	90506-04800	SPRING, TENSION	1			
17	7CN-E1950-10	ADJUST PLATE COMP.	1			
18	98507-06035	.SCREW, PAN HEAD	1			
19	90501-10812	.SPRING, COMPRESSION	1			
20	7CN-E1925-10	SPRING, GOVERNOR	1			

FIG. 5 GOVERNOR 2

REF. NO.	PART NO.	DESCRIPTION	7CNB	7CNC	REMARKS
1	7CN-E1970-00	FLYWEIGHT SHAFT ASSY.		1	
2	7CN-E1913-00	.WEIGHT		2	
3	7CN-E1914-00	.SHAFT, WEIGHT		2	
4	90201-06842	WASHER, PLATE		1	
5	93440-06826	CIRCLIP		1	
6	90201-06842	WASHER, PLATE		1	
7	7CN-E1917-00	COLLAR		1	
8	7CN-E1922-00	FORK, GOVERNOR		1	
9	92907-06200	WASHER		1	
10	90468-18800	CLIP		1	
11	7CN-E1924-10	ARM, GOVERNOR		1	UR MZ175L2
	7CN-E1924-00	ARM, GOVERNOR		1	UR MZ175L2U
12	97027-06030	BOLT		1	
13	92907-06600	WASHER, PLATE		1	
14	90173-06802	NUT, SQUARE		1	
15	7CN-E1928-00	ROD, LINK		1	
16	90506-04800	SPRING, TENSION		1	
17	7CN-E1950-10	ADJUST PLATE COMP.		1	UR MZ175L2
	7CN-E1950-00	ADJUST PLATE COMP.		1	UR MZ175L2U
18	98507-06035	.SCREW, PAN HEAD		1	
19	90501-10812	.SPRING, COMPRESSION		1	
20	90105-06827	BOLT, FLANGE		1	UR MZ175L2U
21	7CN-E1925-10	SPRING, GOVERNOR		1	UR MZ175L2
	90506-08801	SPRING, TENSION		1	UR MZ175L2U





7WC1110-1070

FIG. 6 CAMSHAFT & VALVE

REF. NO.	PART NO.	DESCRIPTION	7CNB	7CNC	REMARKS
1	7CN-E2170-00	CAMSHAFT ASSY 1	1	1	
2	7CN-E2287-00	.SPRING, DECOMPRESSION	1	1	
3	7CN-E2111-00	VALVE, INTAKE	1	1	
4	7CN-E2121-00	VALVE, EXHAUST	1	1	
5	7CN-E2153-00	LIFTER, VALVE	2	2	
6	90501-20800	SPRING, COMPRESSION	2	2	
7	7CN-E2117-00	RETAINER, VALVE SPRING	2	2	
8	7CN-E2118-00	COTTER, VALVE	2	2	
9	7CN-E2151-00	ARM, VALVE ROCKER	2	2	
10	7CN-E2165-00	PIVOT, ROCKER ARM	2	2	
11	7CN-E2157-00	NUT, LOCK	2	2	
12	7CN-E2158-00	NUT, LOCK	2	2	
13	7CN-E2155-00	GUIDE, PUSH ROD	1	1	
14	7CN-E2154-00	ROD, VALVE PUSH	2	2	
15	7CN-E2119-00	SEAL, VALVE STEM	1	1	

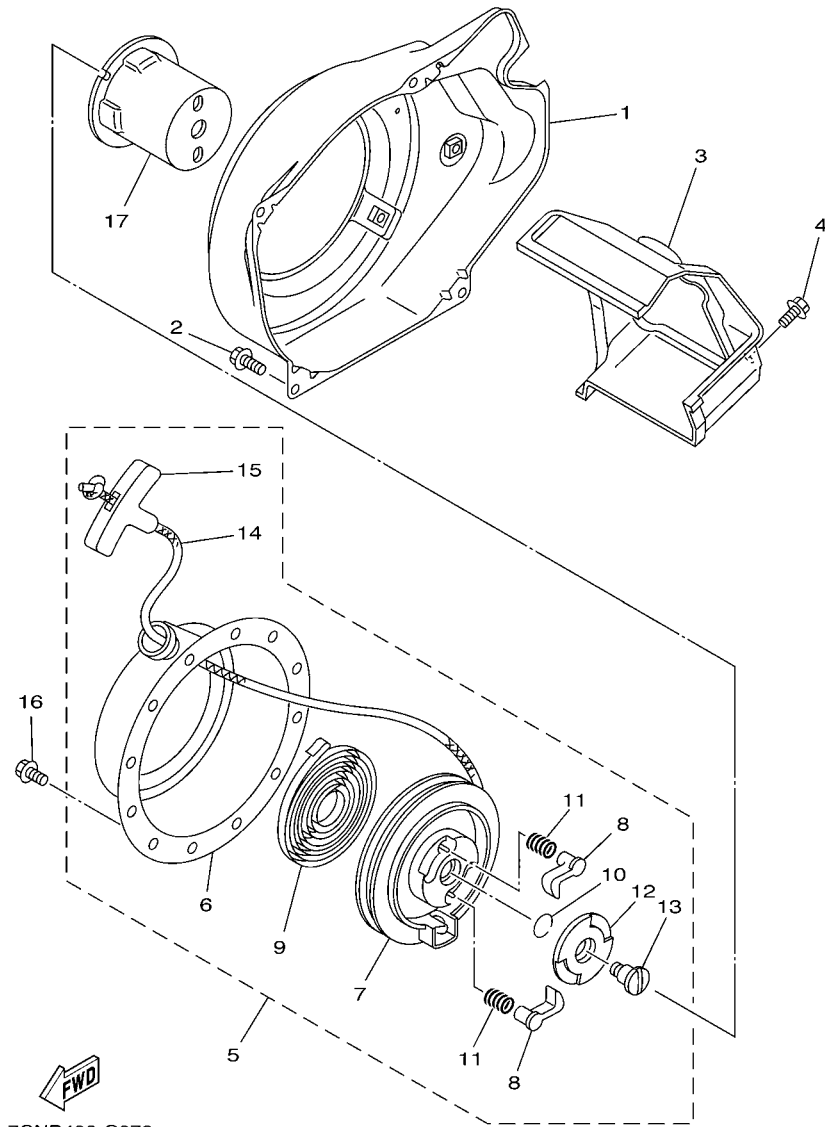


FIG. 7 AIR SHROUD & STARTER

REF. NO.	PART NO.	DESCRIPTION	7CNB	7CNC		REMARKS
1	7CN-E2621-00	CASE, FAN	1	1		
2	95807-06012	BOLT, FLANGE	4	4		
3	7CN-E2651-00	AIR SHROUD, CYLINDER 1	1	1		
4	95807-06012	BOLT, FLANGE	1	1		
5	7CN-E5710-00	STARTER ASSY	1	1		
6	7CN-15711-00	.CASE, STARTER	1	1		
7	7CN-15714-00	.DRUM, SHEAVE	1	1		
8	7CN-15741-00	.PAWL, DRIVE	2	2		
9	7CN-15713-00	.SPRING, STARTER	1	1		
10	7CN-15715-00	.SPRING, FRICTION	1	1		
11	7CN-15743-00	.SPRING, RETURN	2	2		
12	7CN-15716-00	.PLATE, DRIVE	1	1		
13	7CN-15793-00	.SCREW	1	1		
14	7CN-15751-00	.WIRE, STARTER	1	1		
15	7CN-15755-00	.HANDLE, STARTER	1	1		
16	95807-06008	BOLT, FLANGE	3	3		
17	7CN-E5723-00	PULLEY, STARTER	1	1		

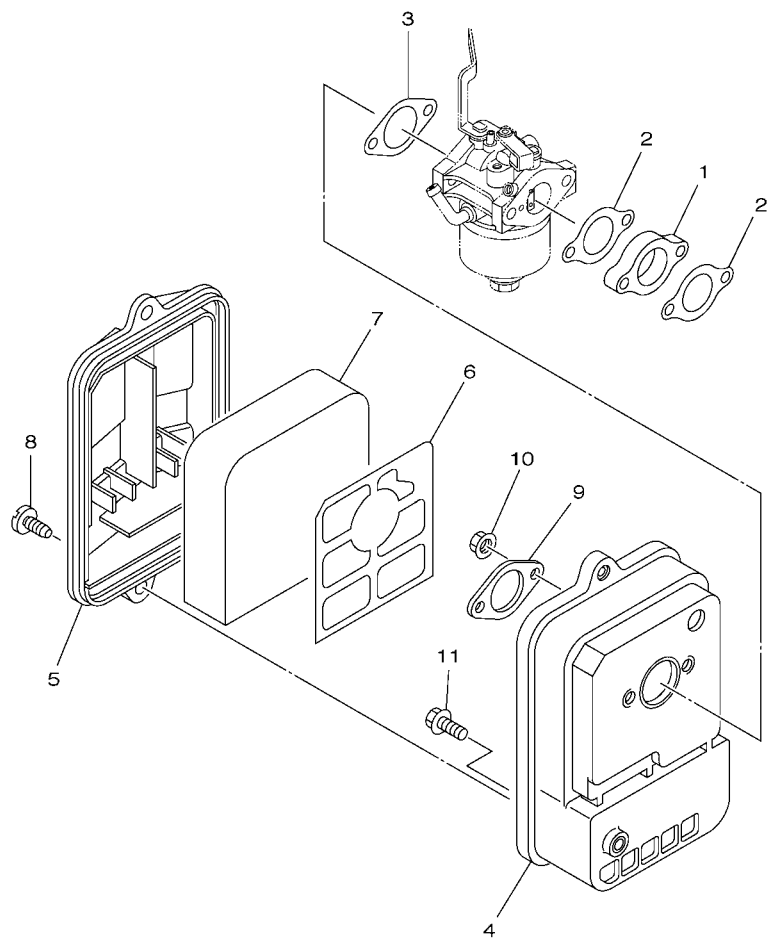


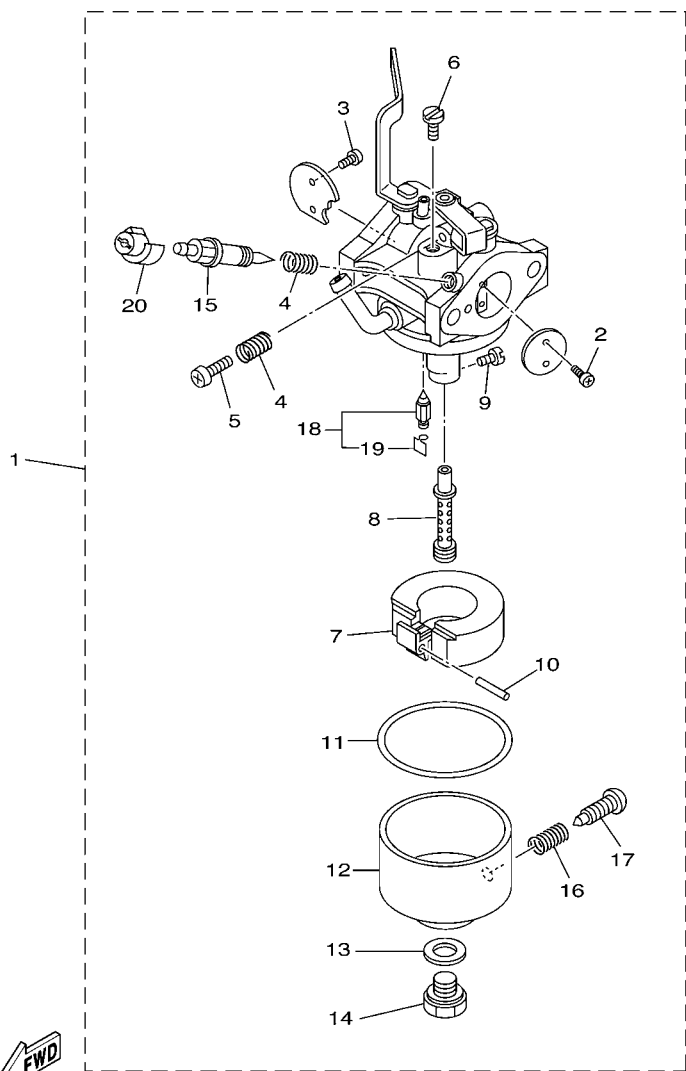
FIG. 8 INTAKE

REF. NO.	PART NO.	DESCRIPTION	7CNB	7CNC				REMARKS
1	7CN-E3596-00	JOINT, CARBURETOR 2	1	1				
2	7CN-E3557-00	GASKET	2	2				
3	7CN-E3567-00	GASKET	1	1				
4	7CN-E4411-00	CASE, AIR CLEANER 1	1	1				
5	7CN-E4412-00	CAP, CLEANER CASE 1	1	1				
6	7CN-E4468-00	PLATE,ELEMENT FITTING	1	1				
7	7CN-E4451-00	ELEMENT, AIR CLEANER	1	1				
8	90154-06823	SCREW, BINDING	2	2				
9	7CN-E4477-00	PLATE	1	1				
10	95707-06500	NUT, FLANGE	2	2				
11	95807-06016	BOLT, FLANGE	1	1				



7WC3110-A070

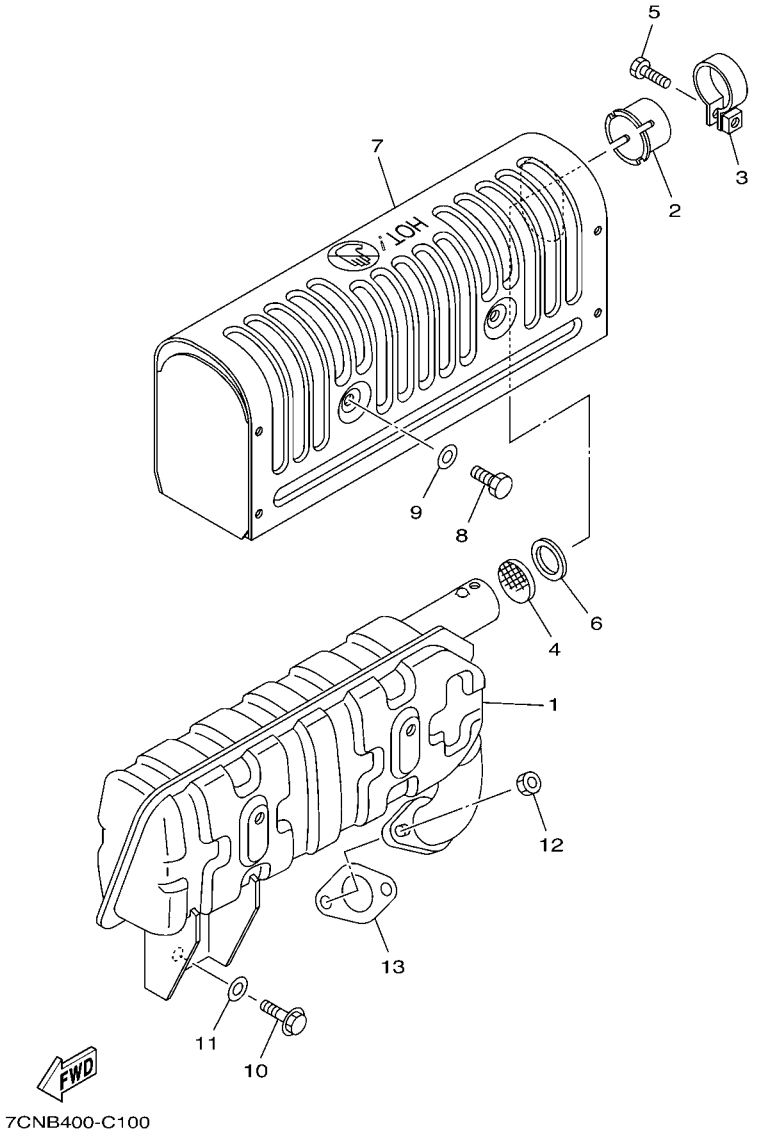
FIG. 9 CARBURETOR



7CNB400-C090

REF. NO.	PART NO.	DESCRIPTION	7CNB	7CNC			REMARKS
1	7CN-E4101-10	CARBURETOR ASSY 1	1	1			
2	7RH-14216-00	.SCREW	2	2			
3	7RH-14486-00	.SCREW, ROD	2	2			
4	73A-14212-00	.SPRING	2	2			
5	1WG-14922-00	.SCREW, THROTTLE	1	1			
6	620-1414J-16-A0	.JET, PILOT (#41.3)	1	1			
7	7LG-14185-00	.FLOAT	1	1			
8	7NJ-1495F-1A	.NOZZLE, MAIN	1	1			
9	1HX-1423E-36-A0	.JET, MAIN (#91.3)	1	1			
10	22F-14186-00	.PIN, FLOAT	1	1			
11	7G0-14184-00	.GASKET, FLOAT CHAMBER	1	1			
12	7EG-14181-00	.BODY, FLOAT CHAMBER 1	1	1			
13	7G0-14227-00	.WASHER	1	1			
14	7NJ-14162-00	.BOLT, HOLDING	1	1			
15	7NJ-14211-00	.SCREW, PILOT ADJUSTING	1	1			
16	73A-14212-00	.SPRING	1	1			
17	7E1-14191-00	.PLUG, DRAIN	1	1			
18	7LG-14150-11	.NEEDLE ASSY	1	1			
19	7EG-14159-00	..CLIP	1	1			
20	7LV-14118-00	.CAP	1	1			

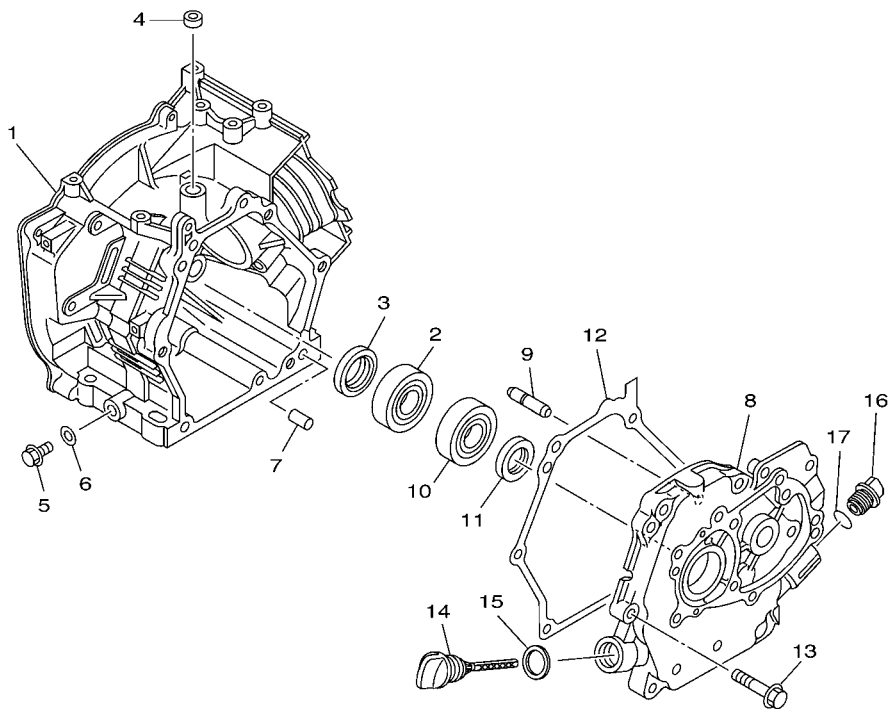
FIG. 10 EXHAUST



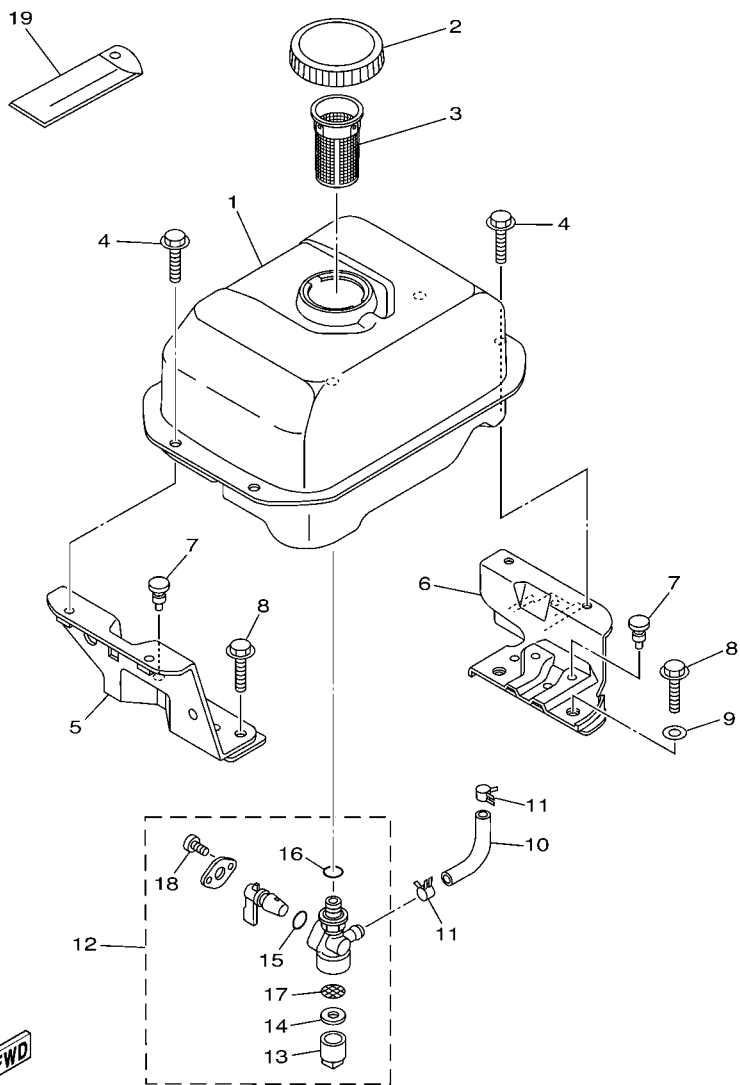
REF. NO.	PART NO.	DESCRIPTION	7CNB	7CNC				REMARKS
1	7CN-E4711-00	MUFFLER 1	1	1				
2	7CA-E4799-00	CAP	1	1				
3	7CA-E4788-00	BAND, SILENCER	1	1				
4	7CA-E479E-00	NET, WIRE 2	1	1				
5	90153-05800	SCREW, HEXAGON	1	1				
6	90201-17802	WASHER, PLATE	1	1				
7	7CN-E4708-00	PROTECTOR ASSY	1	1				
8	97027-06010	BOLT	4	4				
9	92907-06600	WASHER, PLATE	4	4				
10	95827-06016	BOLT, FLANGE	1	1				
11	90201-06843	WASHER, PLATE	1	1				
12	95307-06600	NUT	2	2				
13	7CN-E4613-00	GASKET, EXHAUST PIPE	1	1				

FIG. 11 CRANKCASE

REF. NO.	PART NO.	DESCRIPTION	7CNB	7CNC		REMARKS
1	7CN-E5111-10	CRANKCASE 1	1	1		
2	93306-205XE	BEARING	1	1		
3	93102-25803	OIL SEAL	1	1		
4	93104-06800	OIL SEAL	1	1		
5	95027-10016	BOLT, FLANGE	2	2		
6	90430-10801	GASKET	2	2		
7	99530-08016	PIN, DOWEL	2	2		
8	7CN-E5411-50	COVER, CRANKCASE 1	1			
	7CN-E5411-20	COVER, CRANKCASE 1		1		
9	7CN-E1971-00	SHAFT, FLYWEIGHT	1	1		
10	93306-205XE	BEARING	1	1		
11	93102-25802	OIL SEAL	1	1		
12	7CN-E5451-00	GASKET, CRANKCASE COVER 1	1	1		
13	95827-08035	BOLT, FLANGE	6	6		
14	7CN-E5362-10	PLUG, OIL LEVEL	1	1		
15	90430-17801	GASKET	1	1		
16	7CN-E5362-00	PLUG, OIL LEVEL	1	1		
17	93210-13801	O-RING	1	1		



7WC1110-A100

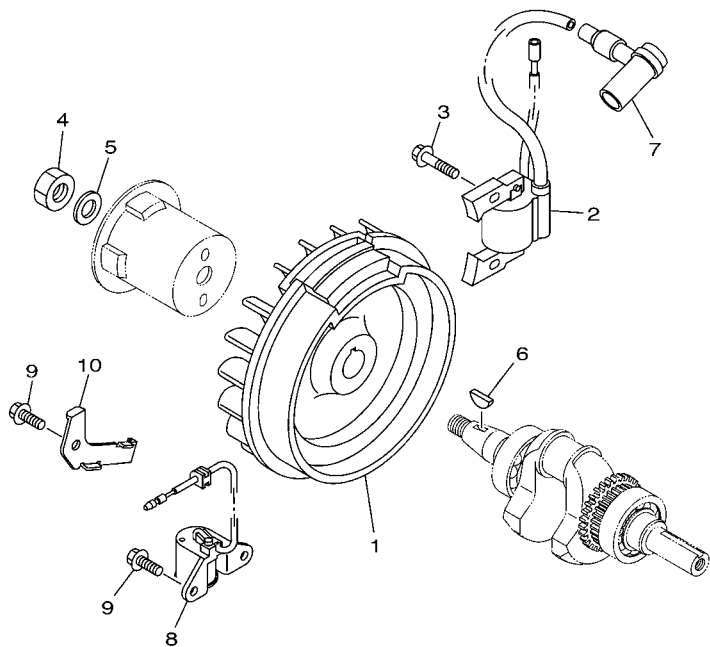


7CNB400-C120

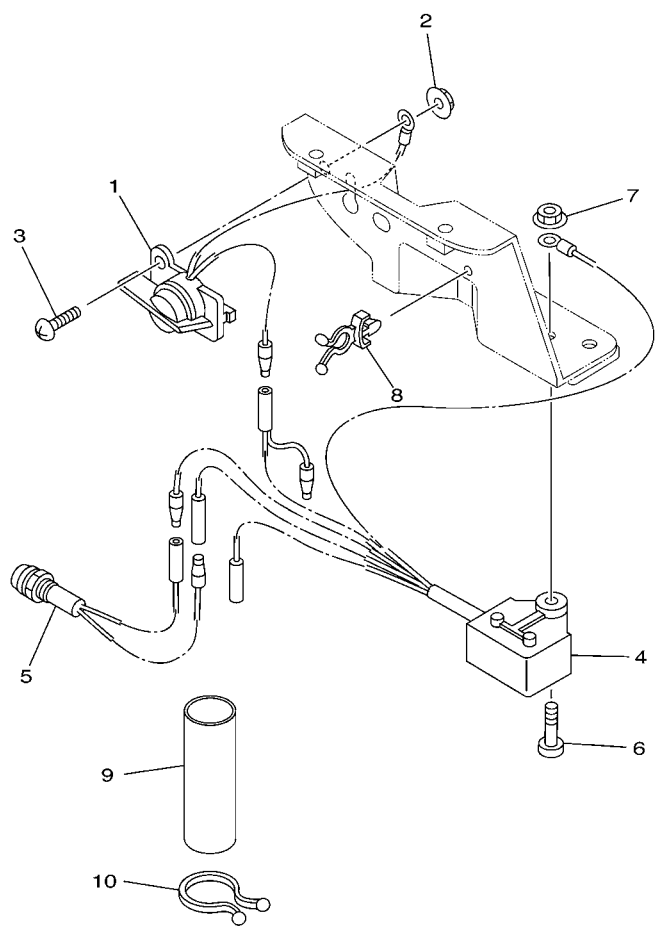
FIG. 12 FUEL TANK

REF. NO.	PART NO.	DESCRIPTION	7CNB	7CNC	REMARKS
1	7CN-F4110-00-NJ	FUEL TANK COMP.	1	1	FWB
2	7CN-F4610-00	CAP ASSY	1	1	
3	7CN-F4167-00	STRAINER	1	1	
4	95827-06012	BOLT, FLANGE	4	4	
5	7CN-F4115-00	STAY, FUEL TANK 1	1	1	
6	7CN-F4116-00	STAY, FUEL TANK 2	1	1	
7	90338-05800	PLUG	3	3	
8	95827-08020	BOLT, FLANGE	4	4	
9	90201-08826	WASHER, PLATE	3	3	
10	7CN-F4311-00	PIPE, FUEL 1	1	1	
11	90467-09806	CLIP	2	2	
12	7CN-F4500-00	FUEL COCK ASSY 1	1	1	
13	7J3-24521-00	.CUP, FILTER	1	1	
14	4X8-24565-00	.GASKET	1	1	
15	7NJ-24534-00	.SEAL, COCK	1	1	
16	7NJ-24532-00	.GASKET	1	1	
17	7NJ-24515-01	.NET, FILTER 2	1	1	
18	98507-03008	.SCREW, PAN HEAD	2	2	
19	7CA-F8100-00	TOOL KIT	1	1	

FIG. 13 MAGNETO



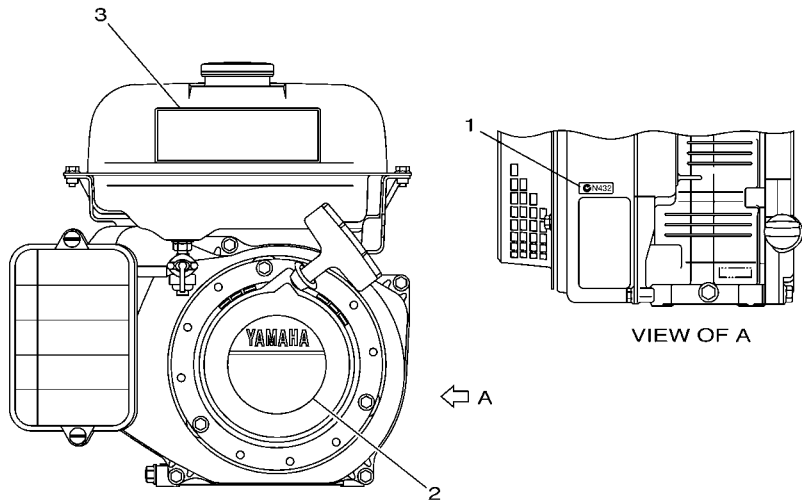
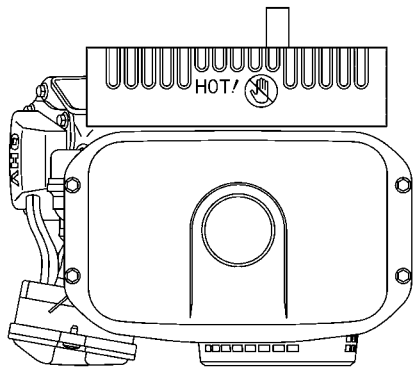
REF. NO.	PART NO.	DESCRIPTION	7CNB	7CNC	REMARKS
1	7CN-H5650-00	ROTOR ASSY	1	1	
2	7CN-H5640-00	T.C.I. UNIT ASSY	1	1	
3	95827-06020	BOLT, FLANGE	2	2	
4	90170-14800	NUT	1	1	
5	92907-14200	WASHER	1	1	
6	90280-04801	KEY, WOODRUFF	1	1	
7	7CN-H2370-00	PLUG CAP ASSY	1	1	
8	7CN-H5720-00	OIL LEVEL GAUGE ASSY	1	1	
9	95827-06012	BOLT, FLANGE	3	3	
10	7CN-H5724-00	CLAMP	1	1	



7CNB400-C140

FIG. 14 ELECTRICAL 1

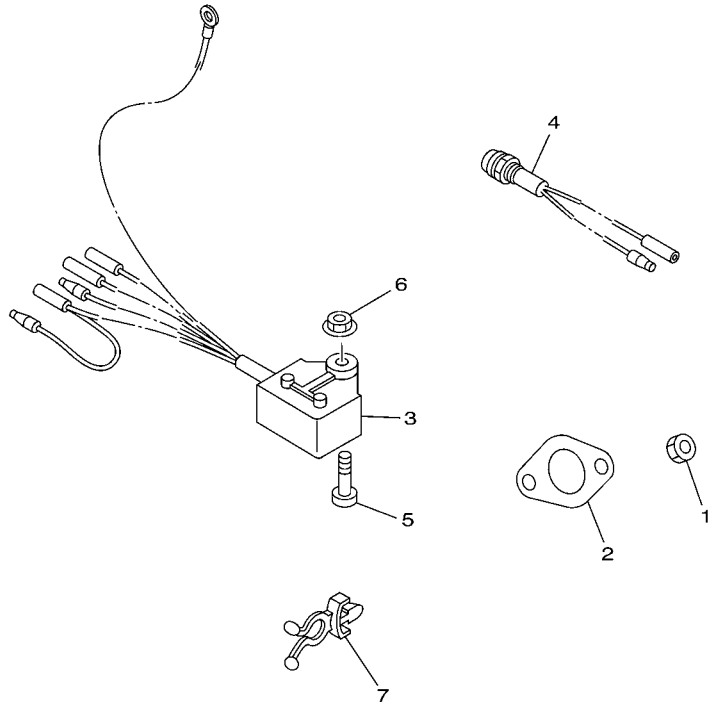
REF. NO.	PART NO.	DESCRIPTION	7CNB	7CNC		REMARKS
1	7CN-H2550-00	ENGINE STOP SWITCH ASSY	1	1		EXCEPT FOR 175L2U
2	95704-06500	NUT, FLANGE	1	1		EXCEPT FOR 175L2U
3	98507-06014	SCREW, PAN HEAD	1	1		EXCEPT FOR 175L2U
4	7CN-H5690-00	OIL WARNING UNIT	1	1		EXCEPT FOR 175L2U
5	7CA-H5770-00	OIL PILOT LIGHT ASSY	1	1		EXCEPT FOR 175L2U
6	98507-06020	SCREW, PAN HEAD	1	1		EXCEPT FOR 175L2U
7	95704-06500	NUT, FLANGE	1	1		EXCEPT FOR 175L2U
8	90464-07803	CLAMP	1	1		EXCEPT FOR 175L2U
9	7CN-H2599-00	COVER, CONNECTER	1	1		EXCEPT FOR 175L2U
10	90464-23800	CLAMP	1	1		EXCEPT FOR 175L2U



7CNB400-C150

FIG. 15 EMBLEM & LABEL

REF. NO.	PART NO.	DESCRIPTION	7CNB	7CNC	REMARKS
1	7CN-F4237-00	MARK(C N432)	1	1	
2	7CN-E2629-00	EMBLEM (YAMAHA MZ175)	1	1	
3	7CN-F4162-00	EMBLEM 2 (WARNING)	1	1	



7CNB400-C160

FIG. 16 BODY FITTING

REF. NO.	PART NO.	DESCRIPTION	7CNB	7CNC	REMARKS
1	95307-06600	NUT		2	FOR MZ175L2U
2	7CN-E4613-00	GASKET, EXHAUST PIPE		1	FOR MZ175L2U
3	7CN-H5690-00	OIL WARNING UNIT		1	FOR MZ175L2U
4	7CA-H5770-00	OIL PILOT LIGHT ASSY		1	FOR MZ175L2U
5	98507-06020	SCREW, PAN HEAD		1	FOR MZ175L2U
6	95704-06500	NUT, FLANGE		1	FOR MZ175L2U
7	90464-07803	CLAMP		1	FOR MZ175L2U

NUMERICAL INDEX

PART NO.	REF. NO.	PART NO.	REF. NO.	PART NO.	REF. NO.	PART NO.	REF. NO.	PART NO.	REF. NO.	PART NO.	REF. NO.
7LV-14118-00	9 - 20	7CN-E1635-00	3 - 3	7CN-E4451-00	8 - 7	90201-06842	5 - 4	95807-06012	7 - 4		
620-1414J-16-A0	9 - 6	7CN-E1636-00	3 - 3	7CN-E4468-00	8 - 6		5 - 6	95807-06016	8 - 11		
7LG-14150-11	9 - 18	7CN-E1650-00	3 - 1	7CN-E4477-00	8 - 9	90201-06843	10 - 11	95827-06012	1 - 14		
7EG-14159-00	9 - 19	7CN-E1654-00	3 - 2	7CN-E4613-00	10 - 13	90201-08826	12 - 9		12 - 4		
7NJ-14162-00	9 - 14	7CN-E1913-00	4 - 2		16 - 2	90201-17802	10 - 6		13 - 9		
7EG-14181-00	9 - 12		5 - 2	7CN-E4708-00	10 - 7	90280-04801	13 - 6	95827-06016	10 - 10		
7G0-14184-00	9 - 11	7CN-E1914-00	4 - 3	7CN-E4711-00	10 - 1	90338-05800	12 - 7	95827-06020	13 - 3		
7LG-14185-00	9 - 7		5 - 3	7CA-E4788-00	10 - 3	90430-10801	11 - 6	95827-08020	12 - 8		
22F-14186-00	9 - 10	7CN-E1917-00	4 - 7	7CA-E4799-00	10 - 2	90430-17801	11 - 15	95827-08035	11 - 13		
7E1-14191-00	9 - 17		5 - 7	7CA-E479E-00	10 - 4	90445-13800	1 - 11	95827-08045	1 - 6		
7NJ-14211-00	9 - 15	7CN-E1922-00	4 - 8	7CN-E5111-10	11 - 1	90464-07803	14 - 8	95827-08065	1 - 5		
73A-14212-00	9 - 4		5 - 8	7CN-E5362-00	11 - 16		16 - 7	97027-06010	10 - 8		
	9 - 16	7CN-E1924-00	5 - 11	7CN-E5362-10	11 - 14	90464-23800	14 - 10	97027-06030	4 - 12		
7RH-14216-00	9 - 2	7CN-E1924-10	4 - 11	7CN-E5411-20	11 - 8	90467-09806	12 - 11		5 - 12		
7G0-14227-00	9 - 13		5 - 11	7CN-E5411-50	11 - 8	90468-18800	4 - 10	98507-03008	12 - 18		
1HX-1423E-36-A0	9 - 9	7CN-E1925-10	4 - 20	7CN-E5451-00	11 - 12		5 - 10	98507-06014	14 - 3		
7RH-14486-00	9 - 3		5 - 21	7CN-E5710-00	7 - 5	90501-10812	4 - 19	98507-06020	14 - 6		
1WG-14922-00	9 - 5	7CN-E1928-00	4 - 15	7CN-E5723-00	7 - 17		5 - 19		16 - 5		
7NJ-1495F-1A	9 - 8		5 - 15	7CN-F4110-00-NJ	12 - 1	90501-20800	6 - 6	98507-06035	4 - 18		
7CN-15711-00	7 - 6	7CN-E1950-00	5 - 17	7CN-F4115-00	12 - 5	90506-04800	4 - 16		5 - 18		
7CN-15713-00	7 - 9	7CN-E1950-10	4 - 17	7CN-F4116-00	12 - 6		5 - 16	99530-08016	11 - 7		
7CN-15714-00	7 - 7		5 - 17	7CN-F4162-00	15 - 3	90506-08801	5 - 21	99530-10114	1 - 7		
7CN-15715-00	7 - 10	7CN-E1970-00	4 - 1	7CN-F4167-00	12 - 3	92907-06200	4 - 9				
7CN-15716-00	7 - 12		5 - 1	7CN-F4237-00	15 - 1		5 - 9				
7CN-15741-00	7 - 8	7CN-E1971-00	11 - 9	7CN-F4311-00	12 - 10	92907-06600	4 - 13				
7CN-15743-00	7 - 11	7CN-E2111-00	6 - 3	7CN-F4500-00	12 - 12		5 - 13				
7CN-15751-00	7 - 14	7CN-E2117-00	6 - 7	7CN-F4610-00	12 - 2		10 - 9				
7CN-15755-00	7 - 15	7CN-E2118-00	6 - 8	7CA-F8100-00	12 - 19	92907-14200	13 - 5				
7CN-15793-00	7 - 13	7CN-E2119-00	6 - 15	7CN-H2370-00	13 - 7	93102-25802	11 - 11				
7NJ-24515-01	12 - 17	7CN-E2121-00	6 - 4	7CN-H2550-00	14 - 1	93102-25803	11 - 3				
7J3-24521-00	12 - 13	7CN-E2151-00	6 - 9	7CN-H2599-00	14 - 9	93104-06800	11 - 4				
7NJ-24532-00	12 - 16	7CN-E2153-00	6 - 5	7CN-H5640-00	13 - 2	93210-13801	11 - 17				
7NJ-24534-00	12 - 15	7CN-E2154-00	6 - 14	7CN-H5650-00	13 - 1	93306-205XE	11 - 2				
4X8-24565-00	12 - 14	7CN-E2155-00	6 - 13	7CN-H5690-00	14 - 4		11 - 10				
7CN-E1111-00	1 - 1	7CN-E2157-00	6 - 11		16 - 3	93440-06826	4 - 5				
7CN-E1160-00	1 - 10	7CN-E2158-00	6 - 12	7CN-H5720-00	13 - 8		5 - 5				
7CN-E1169-00	1 - 12	7CN-E2165-00	6 - 10	7CN-H5724-00	13 - 10	93450-17828	3 - 6				
7CN-E1181-00	1 - 4	7CN-E2170-00	6 - 1	7CA-H5770-00	14 - 5	94702-00331	1 - 8				
7CN-E1191-00	1 - 9	7CN-E2287-00	6 - 2		16 - 4	95027-10016	11 - 5				
7CN-E1193-00	1 - 13	7CN-E2621-00	7 - 1	90105-06827	5 - 20	95307-06600	10 - 12				
7CN-E1400-00	2 - 1	7CN-E2629-00	15 - 2	90116-06807	1 - 3		16 - 1				
7CN-E1400-50	2 - 1	7CN-E2651-00	7 - 3	90153-05800	10 - 5	95607-06615	1 - 2				
7CN-E1561-00	3 - 7	7CN-E3557-00	8 - 2	90154-06823	8 - 8	95704-06500	14 - 2				
7CN-E1610-00	3 - 4	7CN-E3567-00	8 - 3	90170-14800	13 - 4		14 - 7				
7CN-E1610-10	3 - 4	7CN-E3596-00	8 - 1	90173-06802	4 - 14		16 - 6				
7CN-E1610-20	3 - 4	7CN-E4101-10	9 - 1		5 - 14	95707-06500	8 - 10				
7CN-E1631-00	3 - 3	7CN-E4411-00	8 - 4	90201-06842	4 - 4	95807-06008	7 - 16				
7CN-E1633-00	3 - 5	7CN-E4412-00	8 - 5		4 - 6	95807-06012	7 - 2				