

PARTS CATALOGUE

MX250B2E (7KH2) EUR, IDN, SEA



1S7KH-300EA

()

MX250B2E
PARTS CATALOGUE
©2017 by Yamaha Motor Co., Ltd.
1st edition, March 2017
All rights reserved.
Any reprinting or unauthorized use
without the written permission of
Yamaha Motor Co., Ltd.
is expressly prohibited.
Printed in Japan.

FOREWORD

This Parts Catalogue is related to the parts for the model(s) on the cover page. When you are ordering replacement parts, please refer to this Parts Catalogue and quote both part numbers and part names correctly.

1. Modifications or additions which have been made after the issue of the Parts Catalogue will be announced in the Parts News.
It is advisable that you make the necessary corrections to the Parts Catalogue according to the Parts News.

2. Abbreviations

The following abbreviations are used in this Parts Catalogue.

“UR” Use specified parts number.

“UN” Use as many as needed.

“AP” Alternate Parts

“LM” Locally Made (Parts need to be ordered locally)

“F#” Frame No. (Applicable machine No.)

“O/S” Over Size

3. The number of components for assembly

- Parts, which are to be supplied in an assembly, are listed with a dot (.) in front of the part name as shown below.
- The numeral appearing to the right of each component part indicates the quantity of parts for each assembly unit.

PART NO.	DESCRIPTION	Q'TY	REMARKS
2F5-83310-60	FRONT FLASHER LIGHT ASSY	2	
115-83311-60	.BULB (6V-18W)	1	

4. Applicable colours of graphics are represented in the “REMARKS” as shown below.

PART NO.	DESCRIPTION	Q'TY	REMARKS
2N4-24110-00-X5	FUEL TANK COMP.	2	MXR
3J1-24240-10	.GRAPHIC, FUEL TANK	1	FOR MXR

5. Note that the illustrations for reference in finding parts numbers are not to be used for assembling. When assembling, please use the applicable service manual.

6. The asterisk (*) before a reference number indicates modified items after the first edition.

FOREWORD

Engine Serial No.

This parts catalogue is related to the parts for the models in the list below.

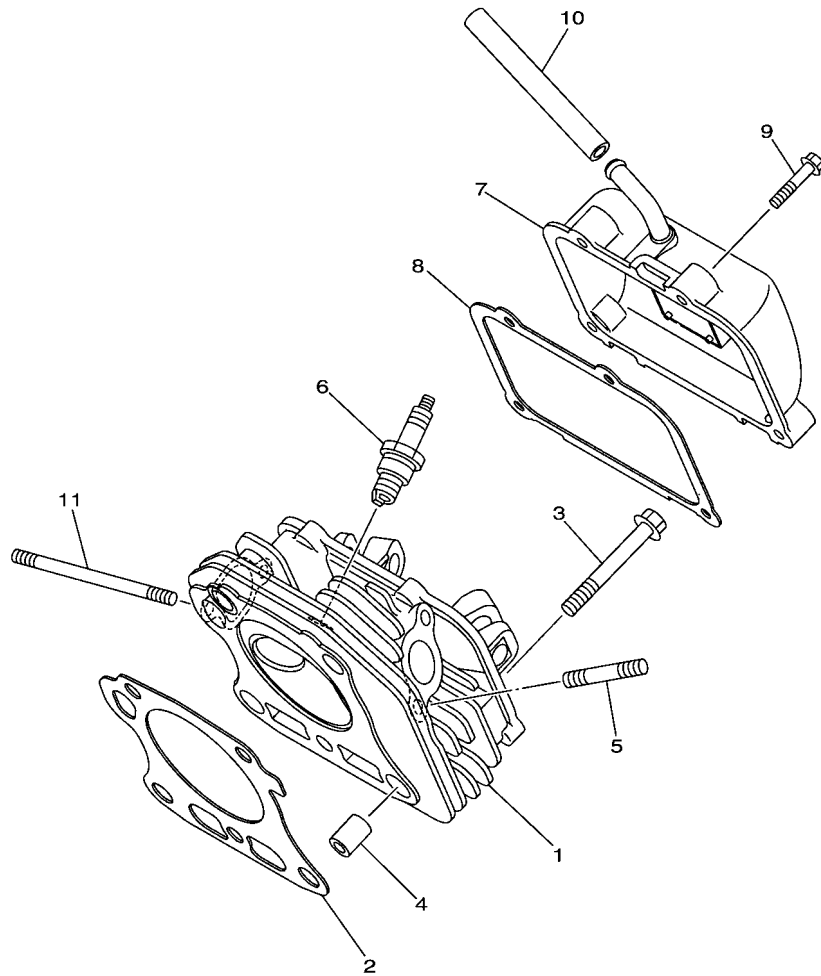
MODEL CODE	MODEL NAME	SPECIFICATION (OUT LINE)	ENGINE SERIAL NO.
7KH2	MX250B2E	P.T.O. SHAFT B TYPE, MOUNT FACE (mm)	7KH2-1000101

CONTENTS

CYLINDER.....	1
CRANKSHAFT.....	2
CRANKSHAFT & PISTON.....	3
GOVERNOR.....	4
CAMSHAFT & VALVE.....	6
AIR SHROUD & STARTER.....	7
INTAKE.....	8
CARBURETOR.....	9
EXHAUST.....	10
CRANKCASE.....	11
FUEL TANK.....	12
TCI MAGNETO.....	13
ELECTRICAL.....	14
EMBLEM & LABEL.....	15

INDEX

NUMERICAL INDEX.....	16
----------------------	----



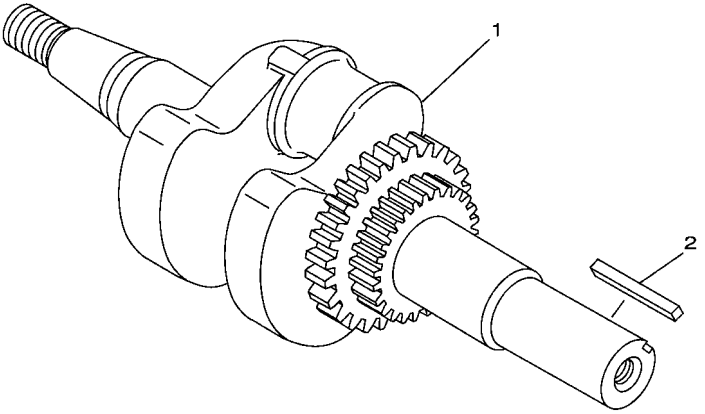
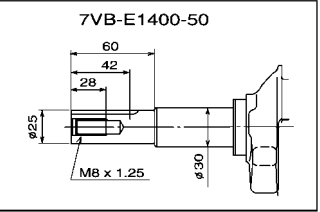

 7VBJ110-K010

FIG. 1 CYLINDER

REF. NO.	PART NO.	DESCRIPTION	7KH2	REMARKS
1	7VB-E1111-03	HEAD, CYLINDER 1	1	
2	7VB-E1181-01	GASKET, CYLINDER HEAD 1	1	
3	95812-10070	BOLT, FLANGE	5	
4	99530-14016	PIN, DOWEL	2	
5	95622-08618	BOLT, STUD	2	
6	94702-00331	PLUG, SPARK (NGK BPR4ES)	1	
7	7VB-E1190-01	COVER, CYLINDER HEAD 1	1	
8	7VB-E1193-01	GASKET, HEAD COVER 1	1	
9	95822-06030	BOLT, FLANGE	4	
10	7CT-E1166-00	PIPE, BREATHER 1	1	
11	90116-06817	BOLT, STUD	2	

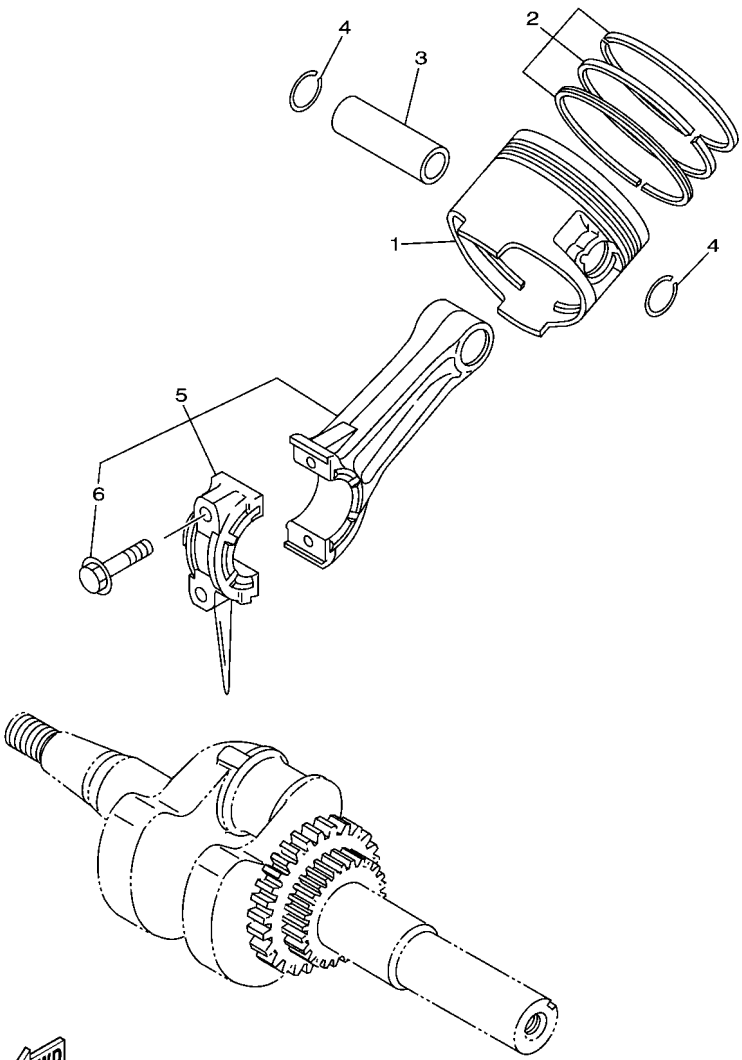
FIG. 2 CRANKSHAFT

REF. NO.	PART NO.	DESCRIPTION	7KH2	REMARKS
1	7VB-E1400-50	CRANKSHAFT ASSY	1	
2	90282-07061	KEY, STRAIGHT (7.0 MM)	1	



7VB2415-L020

FIG. 3 CRANKSHAFT & PISTON




7VBJ110-K030

REF. NO.	PART NO.	DESCRIPTION	7KH2				REMARKS
1	7VB-E1631-00-A0	PISTON (STD)	1				
	7VB-E1635-00	PISTON (0.25MM O/S)	1				AP
	7VB-E1636-00	PISTON (0.50MM O/S)	1				AP
2	7VB-E1610-01	PISTON RING SET (STD)	1				
	7VB-E1610-11	PISTON RING SET (0.25MM O/S)	1				AP
	7VB-E1610-21	PISTON RING SET (0.50MM O/S)	1				AP
3	7VB-E1633-00	PIN, PISTON	1				
4	93450-20839	CIRCLIP	2				
5	7VB-E1650-00	CONNECTING ROD ASSY	1				
6	7CT-E1654-00	.BOLT, CONNECTING ROD	2				
<hr/>							
<hr/>							
<hr/>							
<hr/>							
<hr/>							
<hr/>							
<hr/>							
<hr/>							
<hr/>							
<hr/>							

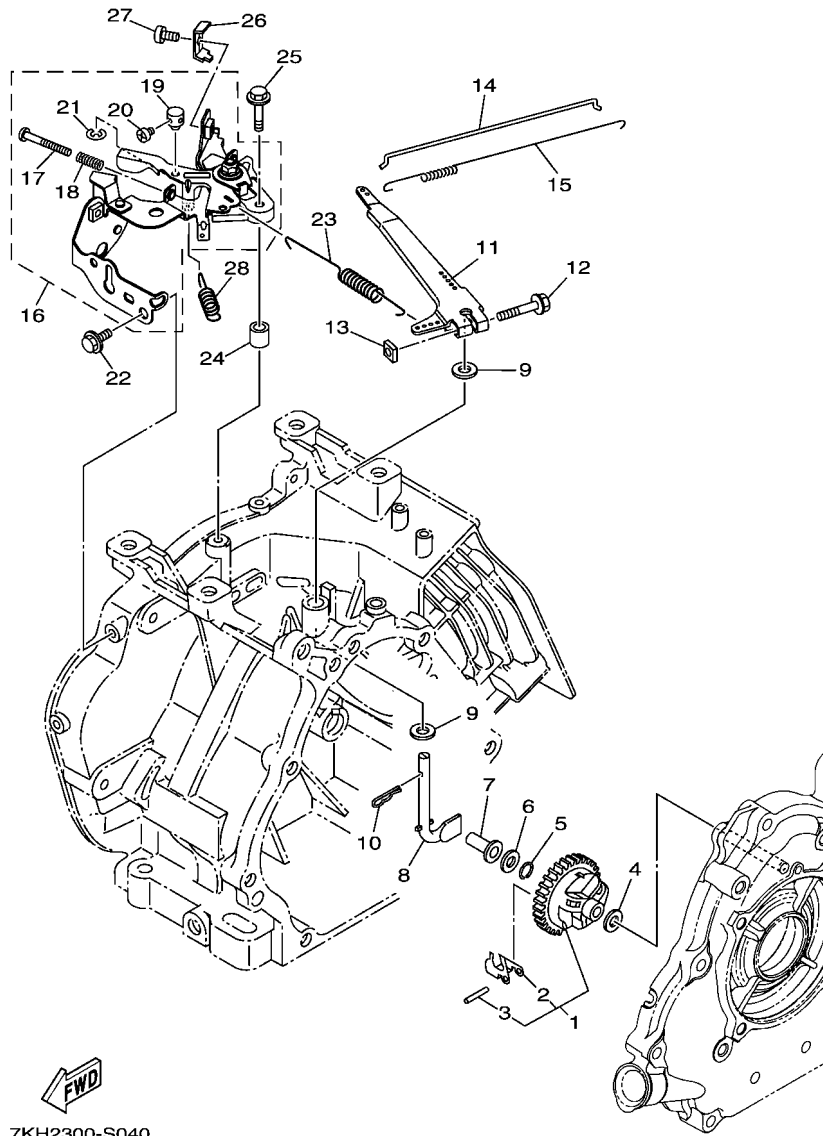


FIG. 4 GOVERNOR

REF. NO.	PART NO.	DESCRIPTION	7KH2				REMARKS
1	7CT-E1970-10	FLYWEIGHT SHAFT ASSY	1				
2	7CT-E1913-00	.WEIGHT	3				
3	7CT-E1914-00	.SHAFT, WEIGHT	3				
4	90201-06842	WASHER, PLATE	1				
5	93440-06826	CIRCLIP	1				
6	90201-067L0	WASHER, PLATE	1				
7	7CT-E1917-00	COLLAR	1				
8	7VB-E1922-00	FORK, GOVERNOR	1				
9	90201-08858	WASHER, PLATE	2				
10	90468-18800	CLIP	1				
11	7VB-E1924-00	ARM, GOVERNOR	1				
12	97522-06530	BOLT, WITH WASHER	1				
13	90173-06802	NUT, SQUARE	1				
14	7VE-E1928-00	ROD, LINK	1				
15	90506-04802	SPRING, TENSION	1				
16	7VE-G1240-30	THROTTLE LEVER COMP.	1				
17	90149-05809	.SCREW	1				
18	90501-090A8	.SPRING, COMPRESSION	1				
19	7CT-E1932-00	.SETTER, WIRE	1				
20	98502-04006	.SCREW, PAN HEAD	1				
21	99001-04600	.CIRCLIP	1				
22	95802-06012	BOLT, FLANGE	1				
23	7VE-E1925-00	SPRING, GOVERNOR	1				
24	7VE-E1934-00	PIPE, 1	1				
25	95802-06025	BOLT, FLANGE	1				
26	7HC-E1933-00	PLATE, ADJUST	1				
27	98502-05016	SCREW, PAN HEAD	1				

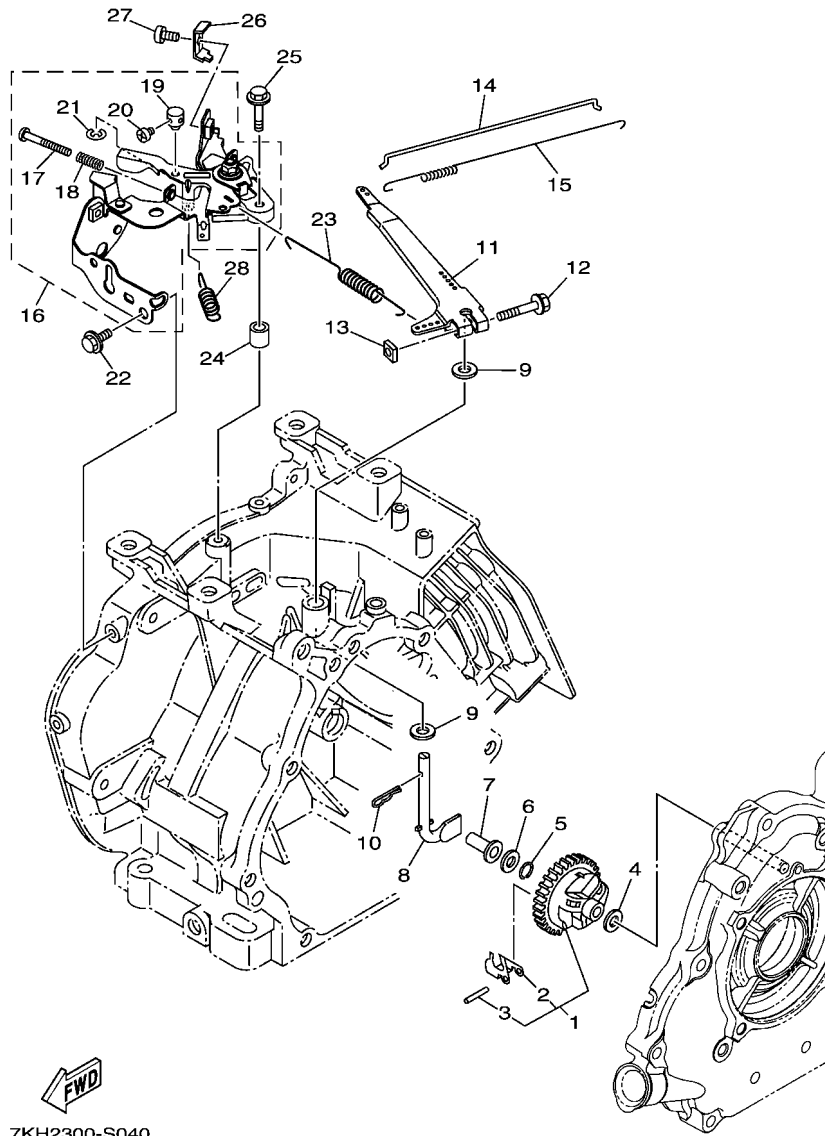
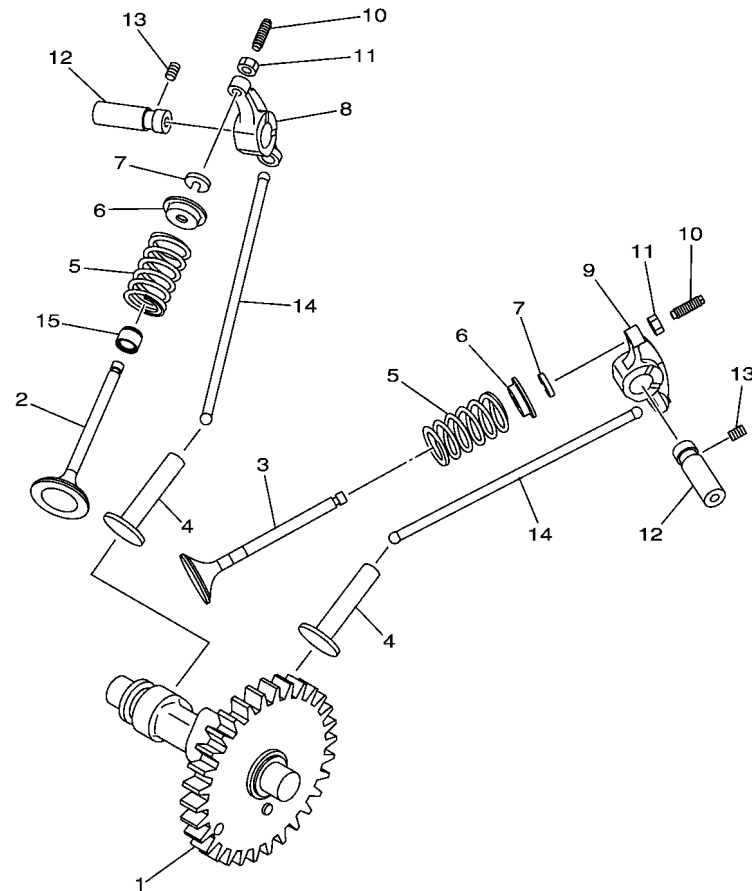


FIG. 4 GOVERNOR

REF. NO.	PART NO.	DESCRIPTION	7KH2				REMARKS
28	90506-07412	SPRING, TENSION	1				

FIG. 5 CAMSHAFT & VALVE

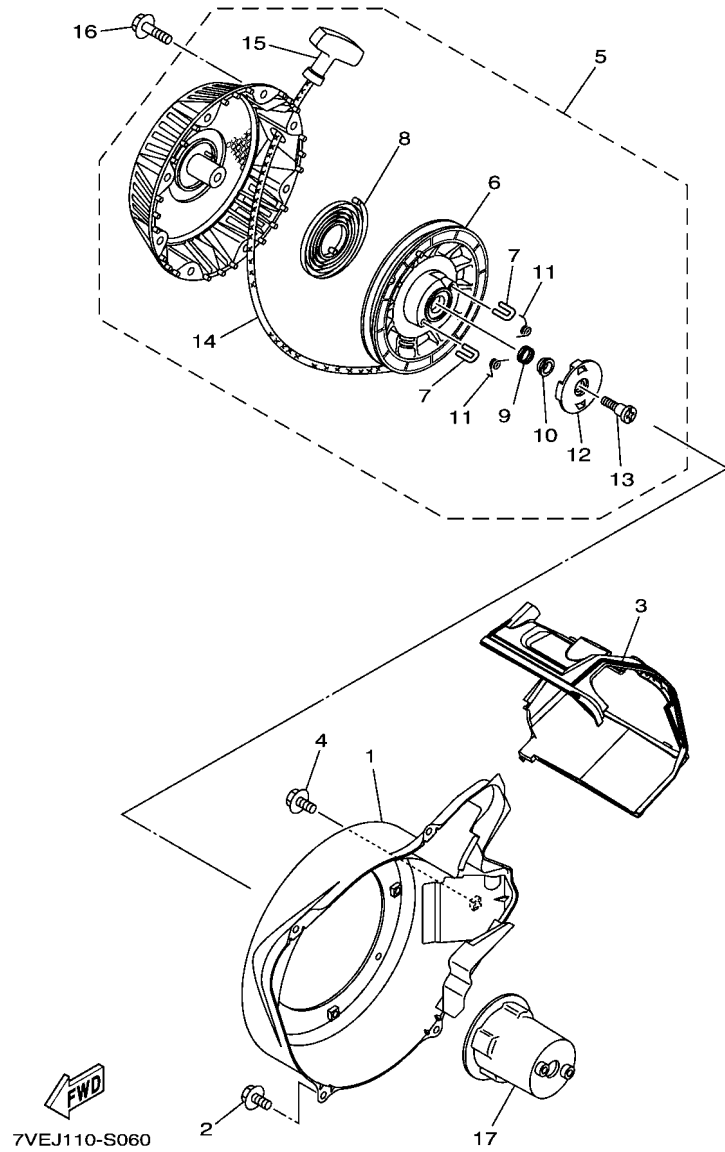


REF. NO.	PART NO.	DESCRIPTION	7KHP2				REMARKS
1	7CR-E2170-00	CAMSHAFT ASSY 1	1				
2	7VB-E2111-00	VALVE, INTAKE	1				
3	7VB-E2121-00	VALVE, EXHAUST	1				
4	7VB-E2153-00	LIFTER, VALVE	2				
5	90501-264A9	SPRING, COMPRESSION	2				
6	7CT-E2117-00	RETAINER, VALVE SPRING	2				
7	7CT-E2118-00	LOCK, VALVE SPRING RETAINER	2				
8	7VB-E2151-00	ARM, VALVE ROCKER	1				
9	7VB-E2161-00	ARM, VALVE ROCKER 2	1				
10	7CT-E2159-00	SCREW, VALVE ADJUSTING	2				
11	90170-05806	NUT	2				
12	7VB-E2156-00	SHAFT, ROCKER 2	2				
13	90113-05800	BOLT, SET	2				
14	7VB-E2154-00	ROD, VALVE PUSH	2				
15	7CT-E2119-00	SEAL, VALVE STEM	1				

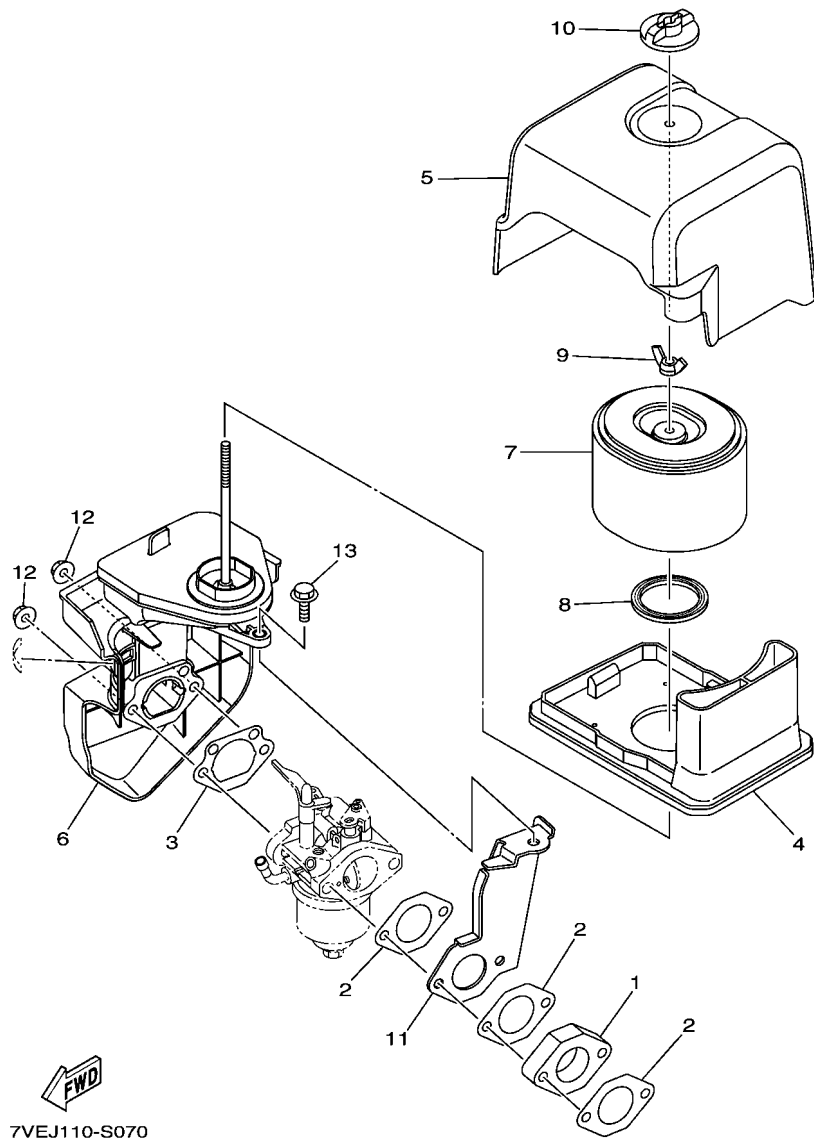


7VBJ110-K050

FIG. 6 AIR SHROUD & STARTER



REF. NO.	PART NO.	DESCRIPTION	7KH2				REMARKS
1	7VE-E2621-00	CASE, FAN	1				
2	95802-06012	BOLT, FLANGE	4				
3	7VB-E2651-00	AIR SHROUD, CYLINDER 1	1				
4	95802-06012	BOLT, FLANGE	1				
5	7HC-E5710-00	STARTER ASSY	1				
6	7HC-E5714-00	.DRUM, SHEAVE	1				
7	7HC-E5741-00	.PAWL, DRIVE	2				
8	7HC-E5713-00	.SPRING, STARTER	1				
9	7HC-E5715-00	.SPRING, FRICTION	1				
10	7HC-E5719-00	.WASHER, THRUST	1				
11	7HC-E5743-00	.SPRING, RETURN	2				
12	7HC-E5716-00	.PLATE, DRIVE	1				
13	7HC-E5793-00	.SCREW	1				
14	7CT-E5751-00	.WIRE, STARTER	1				
15	7CN-E5755-00	.HANDLE, STARTER	1				
16	95802-06020	BOLT, FLANGE	4				
17	7VE-E5723-00	PULLEY, STARTER	1				

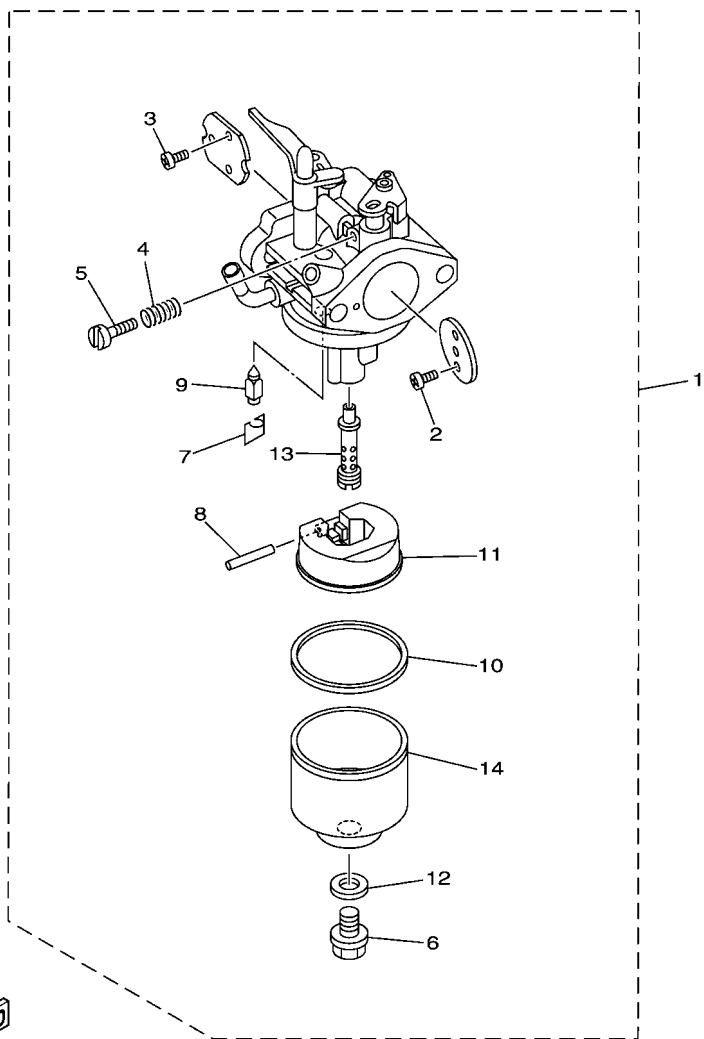


7VEJ110-S070

FIG. 7 INTAKE

REF. NO.	PART NO.	DESCRIPTION	7KH2				REMARKS
1	7VB-E3596-00	JOINT, CARBURETOR 2	1				
2	7VB-E3557-00	GASKET	3				
3	7VE-E3567-00	GASKET	1				
4	7VE-E4411-00	CASE, AIR CLEANER 1	1				
5	7VE-E4412-01	CAP, CLEANER CASE 1	1				
6	7VE-E4430-00	DUCT ASSY	1				
7	7VE-E4450-00	ELEMENT ASSY, AIR CLEANER	1				
8	7HC-E4457-00	SEAL	1				
9	90175-06809	NUT, WING	1				
10	7HC-E4439-00	NUT	1				
11	7VE-E4499-01	STAY 2	1				
12	95702-06500	NUT, FLANGE	2				
13	95802-06016	BOLT, FLANGE	1				

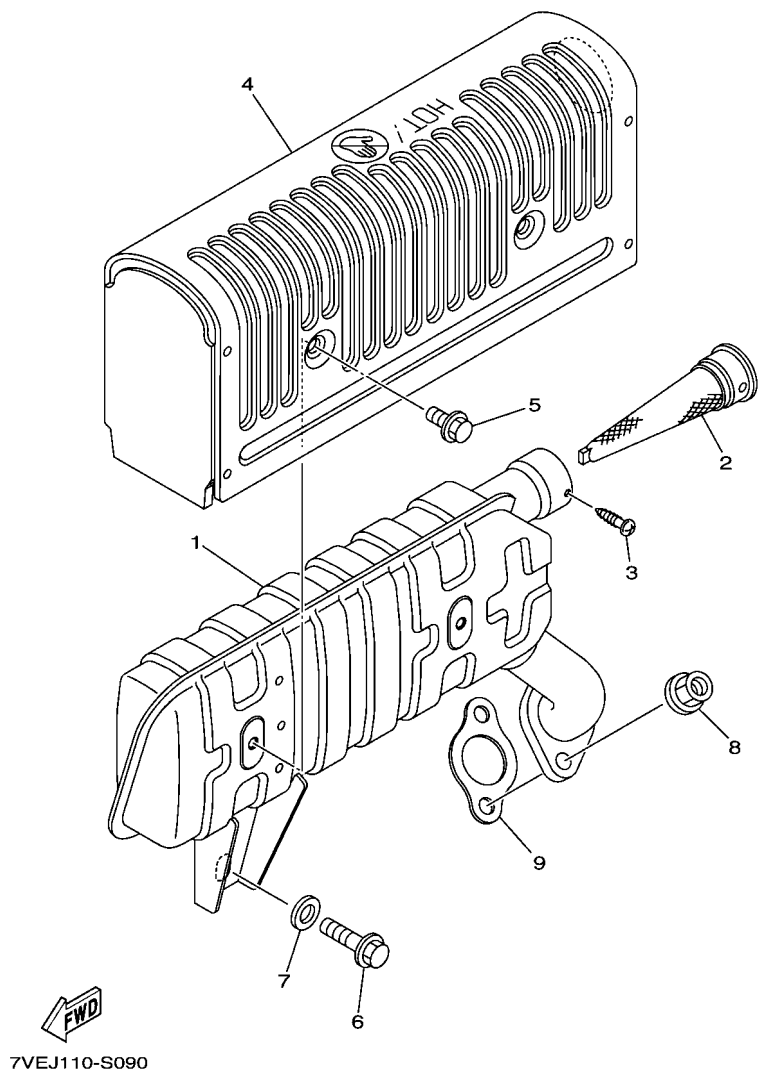
FIG. 8 CARBURETOR



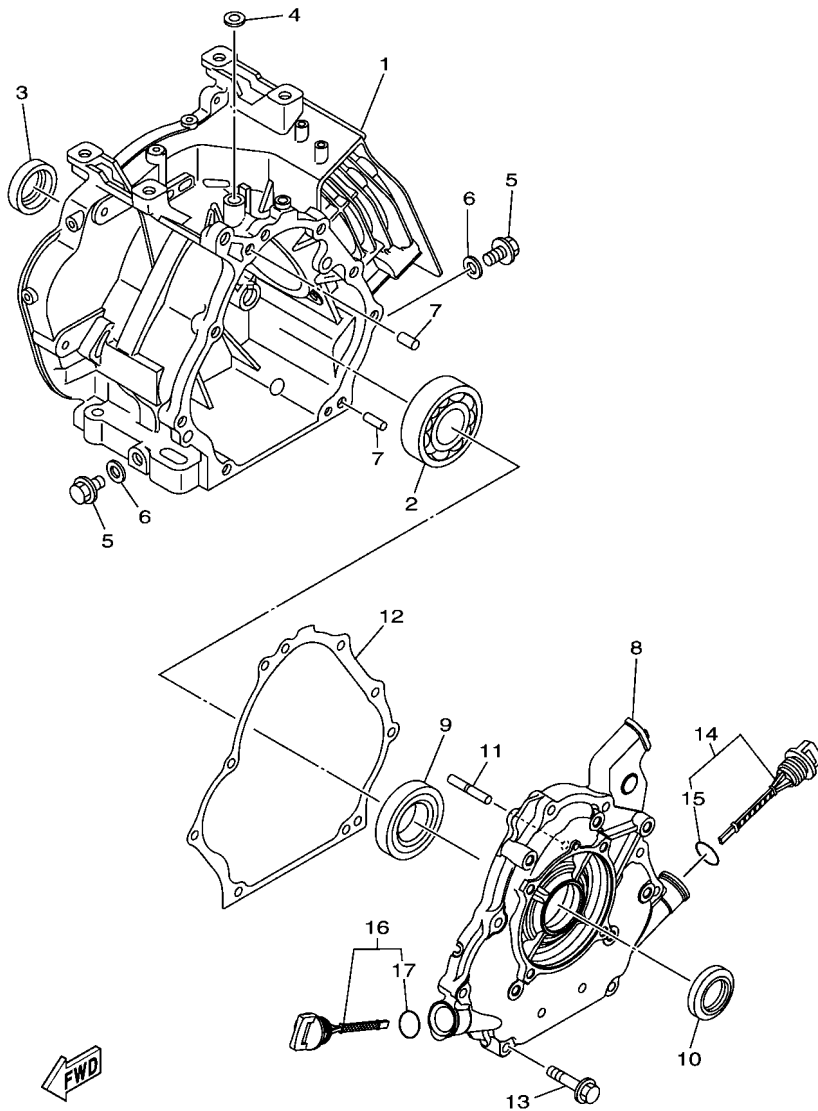
7VEJ110-S080

REF. NO.	PART NO.	DESCRIPTION	7KH2				REMARKS
1	7KH-E4301-00	CARBURETOR ASSY 1	1				
2	7BX-E4216-00	.SCREW	2				
3	7BX-E4486-00	.SCREW, ROD	2				
4	7BX-E4212-00	.SPRING, PILOT ADJUSTING	1				
5	7HC-E4922-00	.SCREW, THROTTLE	1				
6	7HC-E4162-00	.BOLT, HOLDING	1				
7	7HC-E4159-00	.CLIP	1				
8	7BX-E4186-00	.PIN, FLOAT	1				
9	7HC-E4150-00	.NEEDLE ASSY	1				
10	7HC-E4184-00	.GASKET, FLOAT CHAMBER	1				
11	7HC-E4185-00	.FLOAT	1				
12	7HC-E4227-00	.WASHER	1				
13	7VE-E4A41-00	.NOZZLE, MAIN	1				
14	7VE-E4AB1-00	.BODY, FLOAT CHAMBER	1				

FIG. 9 EXHAUST



REF. NO.	PART NO.	DESCRIPTION	7KH2				REMARKS
1	7VB-E4711-00	MUFFLER 1	1				
2	7CT-E4786-00	ARRESTER, SPARK	1				
3	97702-40506	SCREW, TAPPING	1				
4	7VB-E4708-00	PROTECTOR ASSY	1				
5	95822-06008	BOLT, FLANGE	4				
6	95822-08016	BOLT, FLANGE	1				
7	90201-08856	WASHER, PLATE	1				
8	95302-08600	NUT, HEXAGON	2				
9	7VB-E4613-00	GASKET, EXHAUST PIPE	1				



7VEJ100-S100

FIG. 10 CRANKCASE

REF. NO.	PART NO.	DESCRIPTION	7KH2				REMARKS
1	7VB-E5111-02	CRANKCASE 1	1				
2	93306-207Y2	BEARING	1				
3	93102-35802	OIL SEAL	1				
4	93109-08803	OIL SEAL	1				
5	90340-12097	PLUG, STRAIGHT SCREW	2				
6	7CT-E1198-00	GASKET	2				
7	99530-08016	PIN, DOWEL	2				
8	7VB-E5411-01	COVER, CRANKCASE 1	1				
9	93306-206Y5	BEARING	1				
10	93102-30801	OIL SEAL	1				
11	7CT-E1971-00	SHAFT, FLYWEIGHT	1				
12	7VB-E5451-00	GASKET, CRANKCASE COVER 1	1				
13	95812-08040	BOLT, FLANGE	8				
14	7VB-E536A-00	PLUG, OIL LEVEL	1				
15	93210-22805	.O-RING	1				
16	7VB-E536A-00	PLUG, OIL LEVEL	1				
17	93210-22805	.O-RING	1				

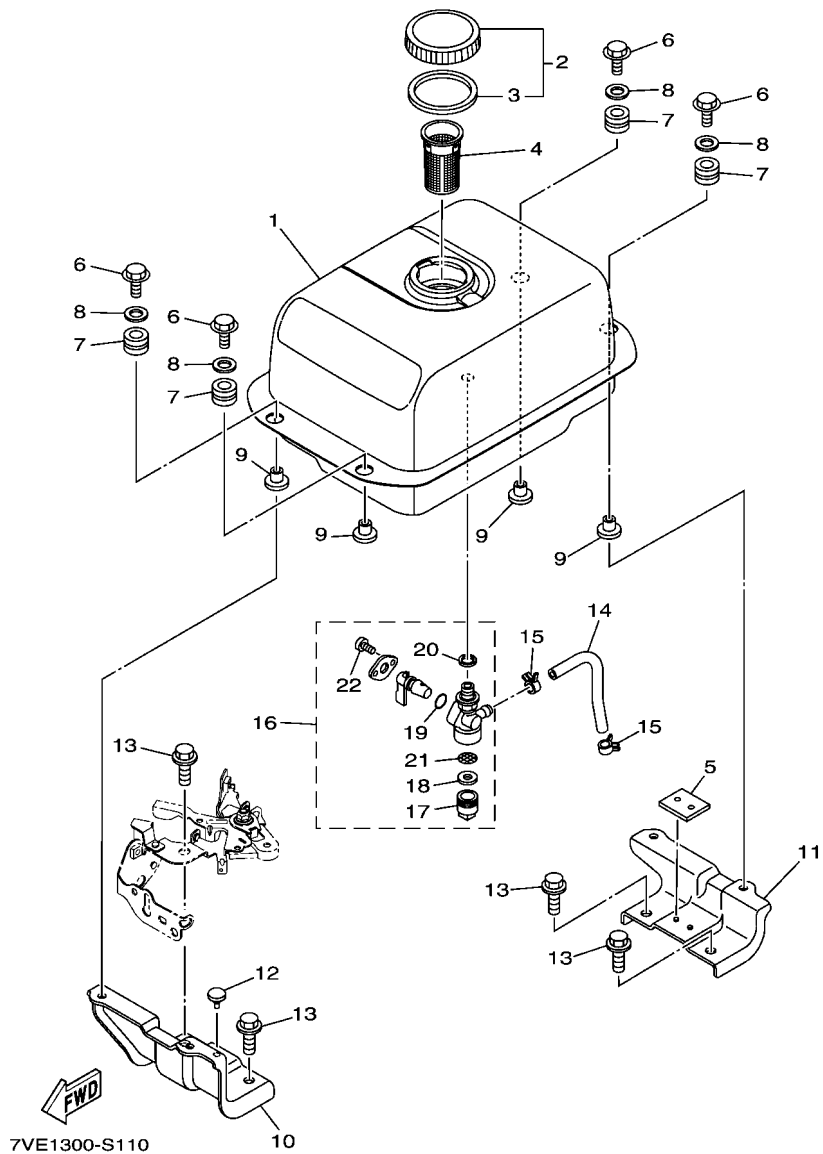
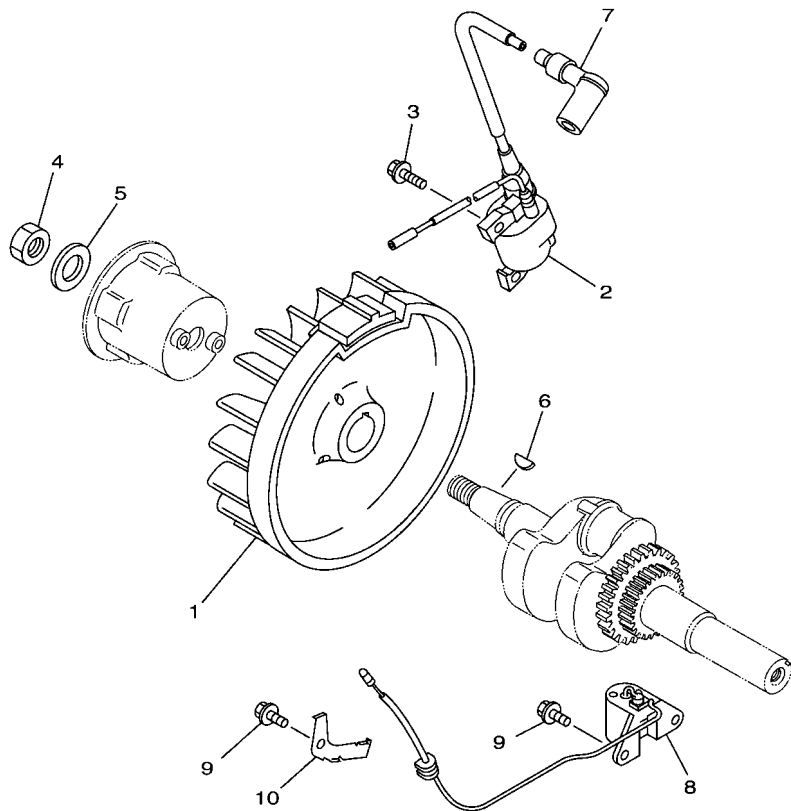


FIG. 11 FUEL TANK

REF. NO.	PART NO.	DESCRIPTION	7KH2				REMARKS
1	7VE-F4110-10	FUEL TANK COMP.	1				
2	7CN-F4610-01	CAP ASSY	1				
3	7CN-F4612-01	.PACKING, CAP	1				
4	7CN-F4167-00	STRAINER	1				
5	7VE-F4181-00	DAMPER, LOCATING 1	1				
6	7CT-F4176-00	BOLT 1	4				
7	90480-15235	GROMMET	4				
8	90201-06085	WASHER, PLATE	4				
9	90387-068K8	COLLAR	4				
10	7VE-F4115-00	STAY, FUEL TANK 1	1				
11	7VE-F4116-00	STAY, FUEL TANK 2	1				
12	90338-05800	PLUG	1				
13	95812-08020	BOLT, FLANGE	4				
14	90445-10456	HOSE (L95)	1				
15	90467-09806	CLIP	2				
16	7CN-F4500-01	FUEL COCK ASSY 1	1				
17	7J3-24521-00	.CUP, FILTER	1				
18	4X8-24565-10	.GASKET	1				
19	7NJ-24534-00	.SEAL, COCK	1				
20	7NJ-24532-10	.GASKET	1				
21	7NJ-24515-01	.NET, FILTER 2	1				
22	98587-03008	.SCREW, PAN HEAD	2				

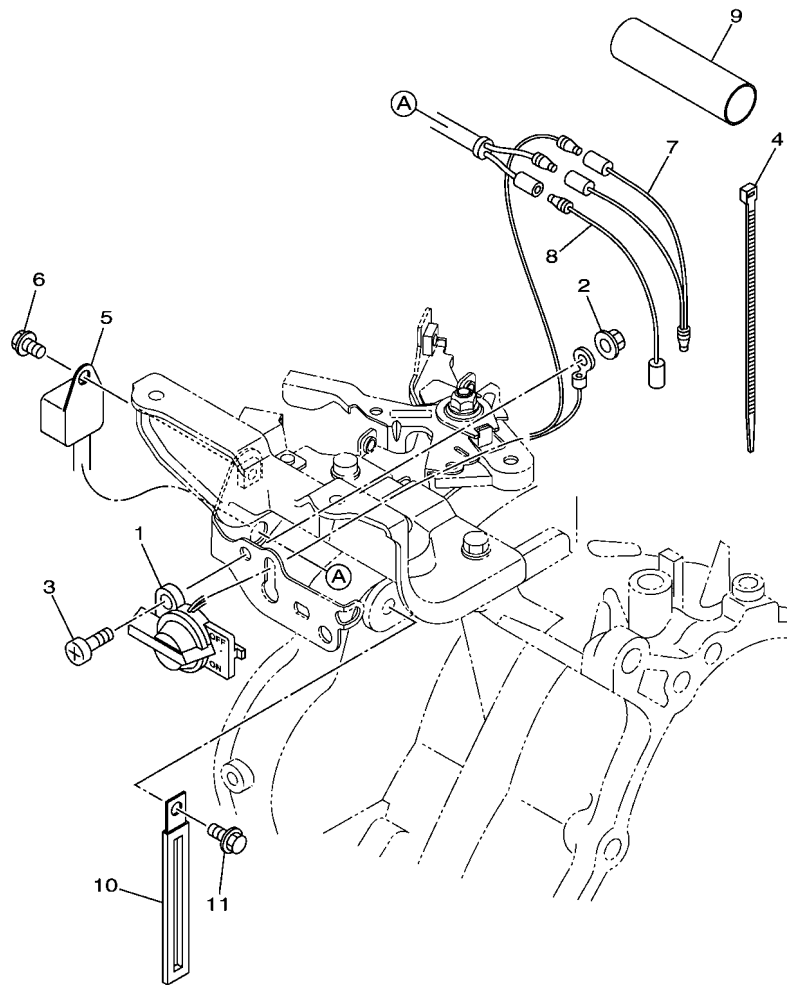
FIG. 12 TCI MAGNETO



REF. NO.	PART NO.	DESCRIPTION	7KH2				REMARKS
1	7KB-H5650-00	ROTOR ASSY	1				
2	7VB-H5640-01	T.C.I. UNIT ASSY	1				
3	95880-06020	BOLT, FLANGE	2				
4	90170-18391	NUT	1				
5	90201-18802	WASHER, PLATE	1				
6	90280-04801	KEY, WOODRUFF	1				
7	7CN-H2370-00	PLUG CAP ASSY	1				
8	7CT-H5720-00	OIL LEVEL GAUGE ASSY	1				
9	95822-06012	BOLT, FLANGE	3				
10	7CN-H5724-00	CLAMP	1				


7VB2400-R120

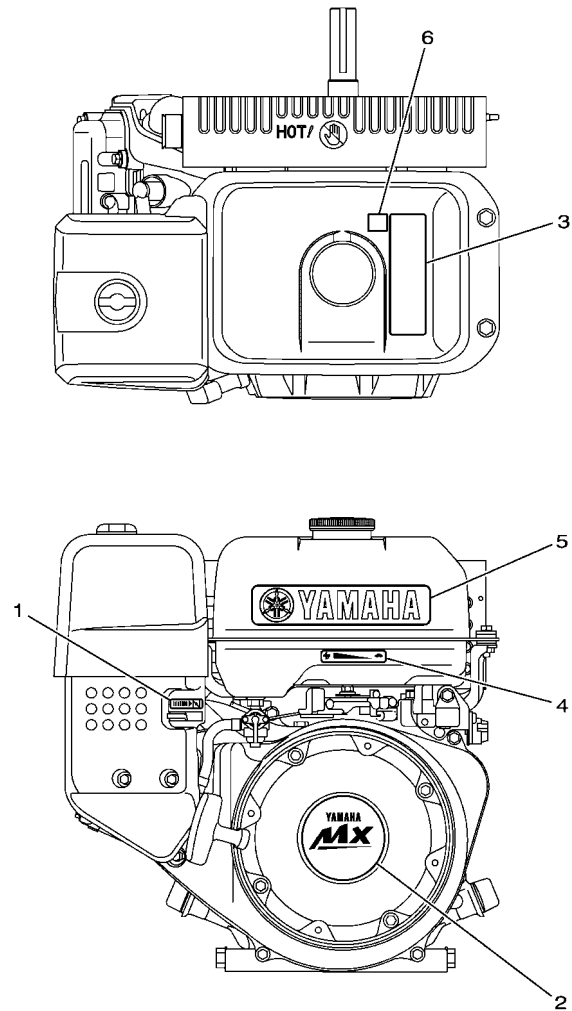
FIG. 13 ELECTRICAL



7VEJ110-S130

REF. NO.	PART NO.	DESCRIPTION	7KH2				REMARKS
1	7CN-H2550-00	ENGINE STOP SWITCH ASSY	1				
2	95704-06500	NUT, FLANGE	1				
3	98502-06014	SCREW, PAN HEAD	1				
4	7CN-H7188-00	BINDER	1				
5	7VE-H5690-00	OIL WARNING UNIT	1				
6	95802-06010	BOLT, FLANGE	1				
7	7VE-H2531-00	WIRE, LEAD	1				
8	7CP-H2507-00	WIRE, LEAD	1				
9	7CN-H2599-00	COVER, CONNECTER	1				
10	90462-05061	CLAMP	1				
11	95802-06010	BOLT, FLANGE	1				

FIG. 14 EMBLEM & LABEL



7VE2300-S140

REF. NO.	PART NO.	DESCRIPTION	7KH2				REMARKS
1	7CN-F4155-00	INDICATOR, CHOKE	1				
2	7KH-E2629-00	EMBLEM (YAMAHA MX250)	1				
3	7CN-F4162-20	EMBLEM 2 (WARNING)	1				
4	7HC-F4154-00	INDICATOR, SHIFT	1				
5	7CN-F4161-10	EMBLEM 1 (YAMAHA)	1				
6	7PB-F817K-00	LABEL, FUEL (E10)	1				

NUMERICAL INDEX

PART NO.	REF. NO.	PART NO.	REF. NO.	PART NO.	REF. NO.	PART NO.	REF. NO.	PART NO.	REF. NO.	PART NO.	REF. NO.
7NJ-24515-01	11 - 21	7VB-E3557-00	7 - 2	7HC-F4154-00	14 - 4	90506-04802	4 - 15				
7J3-24521-00	11 - 17	7VE-E3567-00	7 - 3	7CN-F4155-00	14 - 1	90506-07412	4 - 28				
7NJ-24532-10	11 - 20	7VB-E3596-00	7 - 1	7CN-F4155-00	14 - 5	93102-30801	10 - 10				
7NJ-24534-00	11 - 19	7HC-E4150-00	8 - 9	7CN-F4162-20	14 - 3	93102-35802	10 - 3				
4X8-24565-10	11 - 18	7HC-E4159-00	8 - 7	7CN-F4167-00	11 - 4	93109-08803	10 - 4				
7VB-E1111-03	1 - 1	7HC-E4162-00	8 - 6	7CT-F4176-00	11 - 6	93210-22805	10 - 15				
7CT-E1166-00	1 - 10	7HC-E4184-00	8 - 10	7VE-F4181-00	11 - 5		10 - 17				
7VB-E1181-01	1 - 2	7HC-E4185-00	8 - 11	7CN-F4500-01	11 - 16	93306-206Y5	10 - 9				
7VB-E1190-01	1 - 7	7BX-E4186-00	8 - 8	7CN-F4610-01	11 - 2	93306-207Y2	10 - 2				
7VB-E1193-01	1 - 8	7BX-E4212-00	8 - 4	7CN-F4612-01	11 - 3	93440-06826	4 - 5				
7CT-E1198-00	10 - 6	7BX-E4216-00	8 - 2	7PB-F817K-00	14 - 6	93450-20839	3 - 4				
7VB-E1400-50	2 - 1	7HC-E4227-00	8 - 12	7VE-G1240-30	4 - 16	94702-00331	1 - 6				
7VB-E1610-01	3 - 2	7KH-E4301-00	8 - 1	7CN-H2370-00	12 - 7	95302-08600	9 - 8				
7VB-E1610-11	3 - 2	7VE-E4411-00	7 - 4	7CP-H2507-00	13 - 8	95622-08618	1 - 5				
7VB-E1610-21	3 - 2	7VE-E4412-01	7 - 5	7VE-H2531-00	13 - 7	95702-06500	7 - 12				
7VB-E1631-00-A0	3 - 1	7VE-E4430-00	7 - 6	7CN-H2550-00	13 - 1	95704-06500	13 - 2				
7VB-E1633-00	3 - 3	7HC-E4439-00	7 - 10	7CN-H2599-00	13 - 9	95802-06010	13 - 6				
7VB-E1635-00	3 - 1	7VE-E4450-00	7 - 7	7VB-H5640-01	12 - 2		13 - 11				
7VB-E1636-00	3 - 1	7HC-E4457-00	7 - 8	7KB-H5650-00	12 - 1	95802-06012	4 - 22				
7VB-E1650-00	3 - 5	7BX-E4486-00	8 - 3	7VE-H5690-00	13 - 5		6 - 2				
7CT-E1654-00	3 - 6	7VE-E4499-01	7 - 11	7CT-H5720-00	12 - 8		6 - 4				
7CT-E1913-00	4 - 2	7VB-E4613-00	9 - 9	7CN-H5724-00	12 - 10	95802-06016	7 - 13				
7CT-E1914-00	4 - 3	7VB-E4708-00	9 - 4	7CN-H7188-00	13 - 4	95802-06020	6 - 16				
7CT-E1917-00	4 - 7	7VB-E4711-00	9 - 1	90113-05800	5 - 13	95802-06025	4 - 25				
7VB-E1922-00	4 - 8	7CT-E4786-00	9 - 2	90116-06817	1 - 11	95812-08020	11 - 13				
7VB-E1924-00	4 - 11	7HC-E4922-00	8 - 5	90149-05809	4 - 17	95812-08040	10 - 13				
7VE-E1925-00	4 - 23	7VE-E4A41-00	8 - 13	90170-05806	5 - 11	95812-10070	1 - 3				
7VE-E1928-00	4 - 14	7VE-E4AB1-00	8 - 14	90170-18391	12 - 4	95822-06008	9 - 5				
7CT-E1932-00	4 - 19	7VB-E5111-02	10 - 1	90173-06802	4 - 13	95822-06012	12 - 9				
7HC-E1933-00	4 - 26	7VB-E536A-00	10 - 14	90175-06809	7 - 9	95822-06030	1 - 9				
7VE-E1934-00	4 - 24		10 - 16	90201-06085	11 - 8	95822-08016	9 - 6				
7CT-E1970-10	4 - 1	7VB-E5411-01	10 - 8	90201-067L0	4 - 6	95880-06020	12 - 3				
7CT-E1971-00	10 - 11	7VB-E5451-00	10 - 12	90201-06842	4 - 4	97522-06530	4 - 12				
7VB-E2111-00	5 - 2	7HC-E5710-00	6 - 5	90201-08856	9 - 7	97702-40506	9 - 3				
7CT-E2117-00	5 - 6	7HC-E5713-00	6 - 8	90201-08858	4 - 9	98502-04006	4 - 20				
7CT-E2118-00	5 - 7	7HC-E5714-00	6 - 6	90201-18802	12 - 5	98502-05016	4 - 27				
7CT-E2119-00	5 - 15	7HC-E5715-00	6 - 9	90280-04801	12 - 6	98502-06014	13 - 3				
7VB-E2121-00	5 - 3	7HC-E5716-00	6 - 12	90282-07061	2 - 2	98587-03008	11 - 22				
7VB-E2151-00	5 - 8	7HC-E5719-00	6 - 10	90338-05800	11 - 12	99001-04600	4 - 21				
7VB-E2153-00	5 - 4	7VE-E5723-00	6 - 17	90340-12097	10 - 5	99530-08016	10 - 7				
7VB-E2154-00	5 - 14	7HC-E5741-00	6 - 7	90387-068K8	11 - 9	99530-14016	1 - 4				
7VB-E2156-00	5 - 12	7HC-E5743-00	6 - 11	90445-10456	11 - 14						
7CT-E2159-00	5 - 10	7CT-E5751-00	6 - 14	90462-05061	13 - 10						
7VB-E2161-00	5 - 9	7CN-E5755-00	6 - 15	90467-09806	11 - 15						
7CR-E2170-00	5 - 1	7HC-E5793-00	6 - 13	90468-18800	4 - 10						
7VE-E2621-00	6 - 1	7VE-F4110-10	11 - 1	90480-15235	11 - 7						
7KH-E2629-00	14 - 2	7VE-F4115-00	11 - 10	90501-090A8	4 - 18						
7VB-E2651-00	6 - 3	7VE-F4116-00	11 - 11	90501-264A9	5 - 5						