



PARTS CATALOGUE

G31APS (JB64) PHILIPPINES



2021/02/08

NEWS No.	DATE	COMMENT
PE0-0C-200FI	U&G, 202€	MOD:FIG.1 @ VCSOAGLISB@SWJVEREVISION

1UJB6-450E1

()

G31APS
PARTS CATALOGUE
©2021 by Yamaha Motor Co., Ltd.
1st edition, February 2021
All rights reserved.
Any reprinting or unauthorized use
without the written permission of
Yamaha Motor Co., Ltd.
is expressly prohibited.
Printed in Japan.

FOREWORD

This Parts Catalogue is related to the parts for the model(s) on the cover page. When you are ordering replacement parts, please refer to this Parts Catalogue and quote both part numbers and part names correctly.

1. Modifications or additions which have been made after the issue of the Parts Catalogue will be announced in the Parts News.
It is advisable that you make the necessary corrections to the Parts Catalogue according to the Parts News.

2. Abbreviations

The following abbreviations are used in this Parts Catalogue.

“UR” Use specified parts number.

“UN” Use as many as needed.

“AP” Alternate Parts

“LM” Locally Made (Parts need to be ordered locally)

“F#” Frame No. (Applicable machine No.)

“O/S” Over Size

3. The number of components for assembly

- Parts, which are to be supplied in an assembly, are listed with a dot (.) in front of the part name as shown below.
- The numeral appearing to the right of each component part indicates the quantity of parts for each assembly unit.

PART NO.	DESCRIPTION	Q'TY	REMARKS
2F5-83310-60	FRONT FLASHER LIGHT ASSY	2	
115-83311-60	.BULB (6V-18W)	1	

4. Applicable colours of graphics are represented in the “REMARKS” as shown below.

PART NO.	DESCRIPTION	Q'TY	REMARKS
2N4-24110-00-X5	FUEL TANK COMP.	2	MXR
3J1-24240-10	.GRAPHIC, FUEL TANK	1	FOR MXR

5. Note that the illustrations for reference in finding parts numbers are not to be used for assembling. When assembling, please use the applicable service manual.

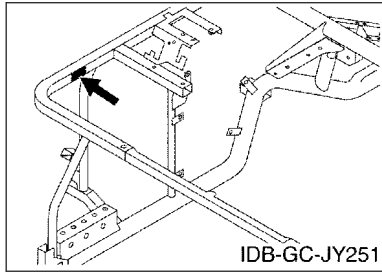
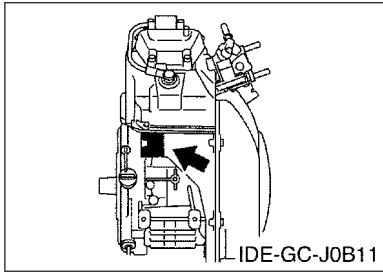
6. The asterisk (*) before a reference number indicates modified items after the first edition.

FOREWORD

7. Applicable Serial No.

Engine Serial No.

Frame Serial No.



10. Applicable Starting Serial No.

Frame Serial No.

Serial No.	Name Of Q'ty Column	Model Code
JB6-460101	JB64	JB64

8. Applicable Colour Code (The (*) mark shows Model colour.)

Abbreviation	Colour Name	Colour Code
DNGM3(*)	DARK GRAYISH GREEN METALLIC 3	0712
DPBMC(*)	DEEP PURPLISH BLUE METALLIC C	0564
DRMD(*)	DULL RED METALLIC D	0779
RW(*)	RADICAL WHITE	00UJ
VDGS1(*)	VERY DARK GREEN SOLID 1	0614

9. Quantity Column Information

Column No.	Name Of Q'ty Column	Destination
1	JB64	PHILIPPINES

CONTENTS

ENGINE

CYLINDER HEAD.....	1
CRANKSHAFT & PISTON.....	2
CAMSHAFT & VALVE.....	3
AIR SHROUD & FAN.....	4
INTAKE 1.....	5
INTAKE 2.....	6
EXHAUST.....	7
CRANKCASE.....	8

BODY

REAR ARM & SUSPENSION.....	9
FRAME.....	10
FRONT SUSPENSION & WHEEL.....	11
STEERING.....	13
FUEL TANK.....	15
BRAKE.....	16
BRAKE 2.....	17
BRAKE 3.....	19
BRAKE 4.....	21
FRONT MASTER CYLINDER.....	22
ACCELERATOR.....	24

DRIVE

PRIMARY SHEAVE.....	25
SECONDARY SHEAVE.....	26
TRANSMISSION 1.....	27
TRANSMISSION 2.....	30
SHIFTER & CABLES.....	31
REAR AXLE & WHEEL.....	32

R/G

WINDSHIELD.....	33
BUMPER.....	35
BODY.....	36
BODY 2.....	38
BODY FITTING.....	40
SUN ROOF.....	41
CARRIER.....	43
SEAT.....	45

ELECTRICAL

STARTING MOTOR.....	47
CONTROL UNIT.....	48
ELECTRICAL 1.....	49
ELECTRICAL 2.....	51

INDEX

NUMERICAL INDEX.....	53
----------------------	----

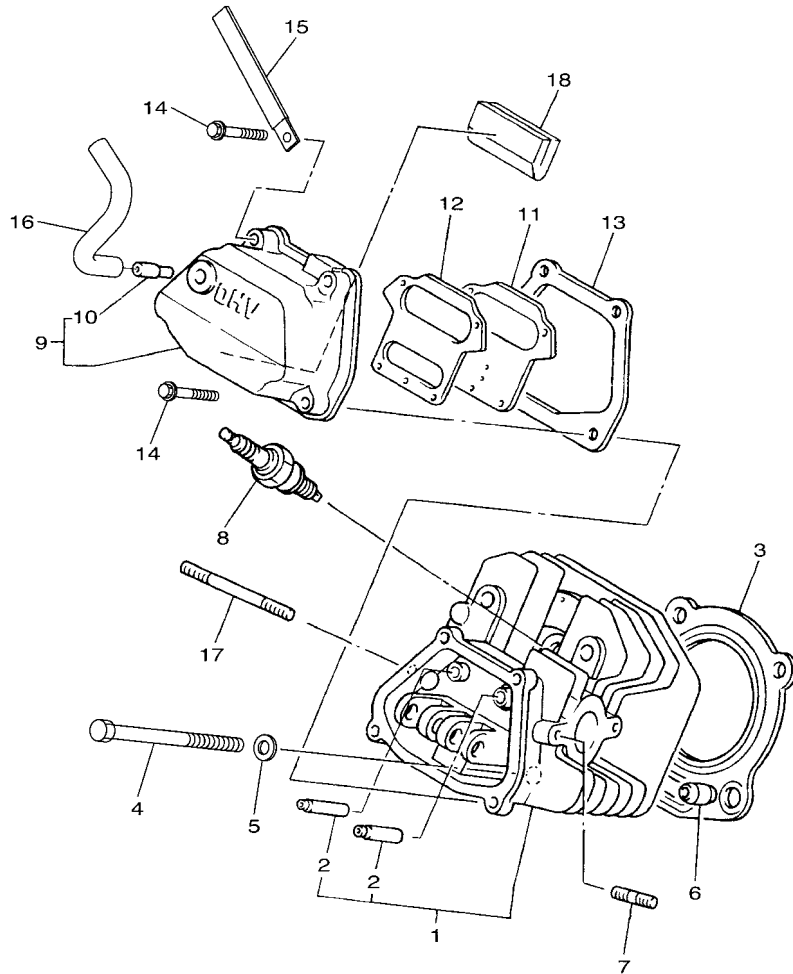


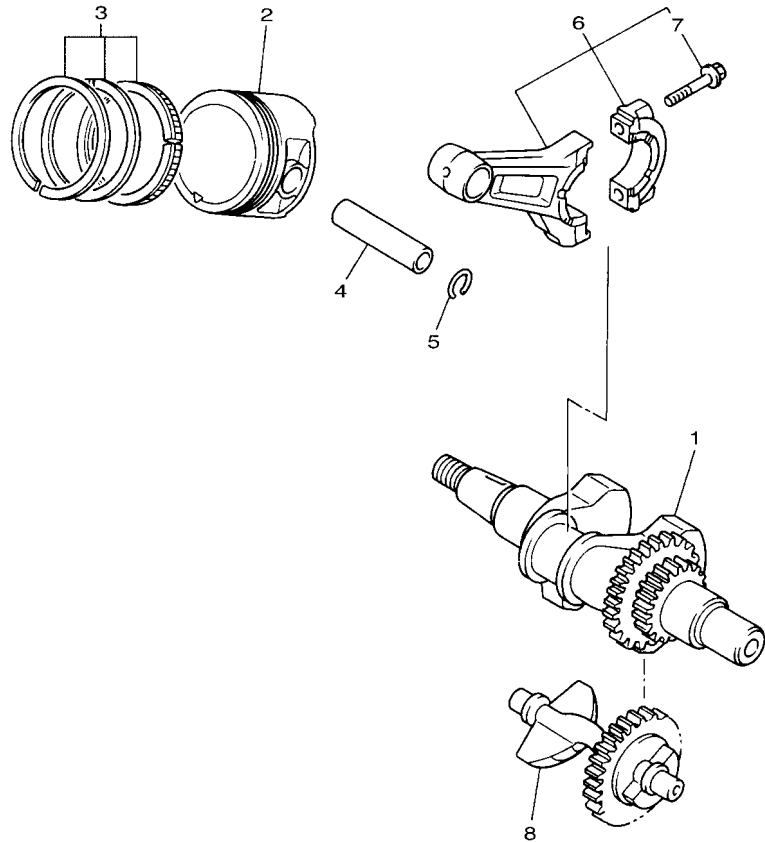
FIG. 1 CYLINDER HEAD

REF. NO.	PART NO.	DESCRIPTION	JB64				REMARKS
1	JT0-11111-00	HEAD, CYLINDER 1	1				
2	JN6-11133-10	.GUIDE, VALVE 1	2				
3	JT0-11181-00	GASKET, CYLINDER HEAD 1	1				
4	97012-10070	BOLT	4				
5	90201-10057	WASHER, PLATE	4				
6	99530-14016	PIN, DOWEL	2				
7	95622-08618	BOLT, STUD	2				
8	94702-00348	PLUG, SPARK (NGK-BPR2ES)	1				
9	JN6-11191-01	COVER, CYLINDER HEAD 1	1				
10	JN6-11116-00	.JOINT, BREATHER	1				
11	JN6-11168-00	COVER, BREATHER	1				
12	JN6-11169-00	GASKET, BREATHER COVER	1				
13	JN6-11193-00	GASKET, HEAD COVER 1	1				
14	95822-06030	BOLT, FLANGE	4				
15	90462-05061	CLAMP	1				
16	JB2-11166-01	PIPE, BREATHER 1	1				
17	95602-08710	BOLT, STUD	2				
18	JR7-11163-10	ELEMENT	1				



JB62010-S010

FIG. 2 CRANKSHAFT & PISTON

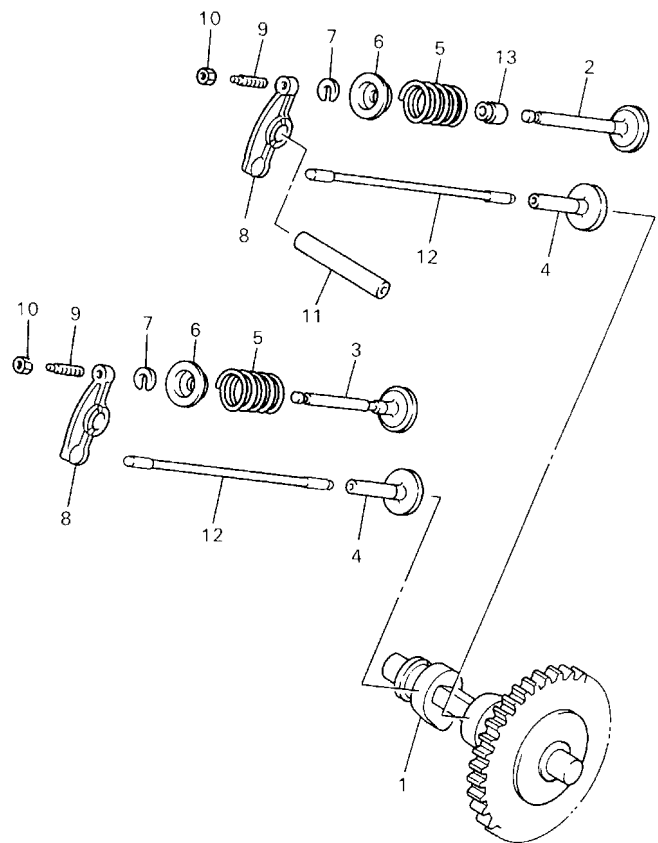


REF. NO.	PART NO.	DESCRIPTION	JB64				REMARKS
1	JN6-11400-00	CRANKSHAFT ASSY	1				
2	JR7-11631-00-A0	PISTON (STD)	1				
	JR7-11635-00	PISTON (0.25MM O/S)	1				AP
	JR7-11636-00	PISTON (0.50MM O/S)	1				AP
3	JR7-11610-00	PISTON RING SET (STD)	1				
	JR7-11610-10	PISTON RING SET (0.25MM O/S)	1				AP
	JR7-11610-20	PISTON RING SET (0.50MM O/S)	1				AP
4	583-11633-00	PIN, PISTON	1				
5	93450-21053	CIRCLIP	2				
6	JN6-11650-10	CONNECTING ROD ASSY	1				
7	JN6-11654-10	.BOLT, CONNECTING ROD	2				
8	JN6-11454-10	WEIGHT 1	1				



JN7010-6021

FIG. 3 CAMSHAFT & VALVE

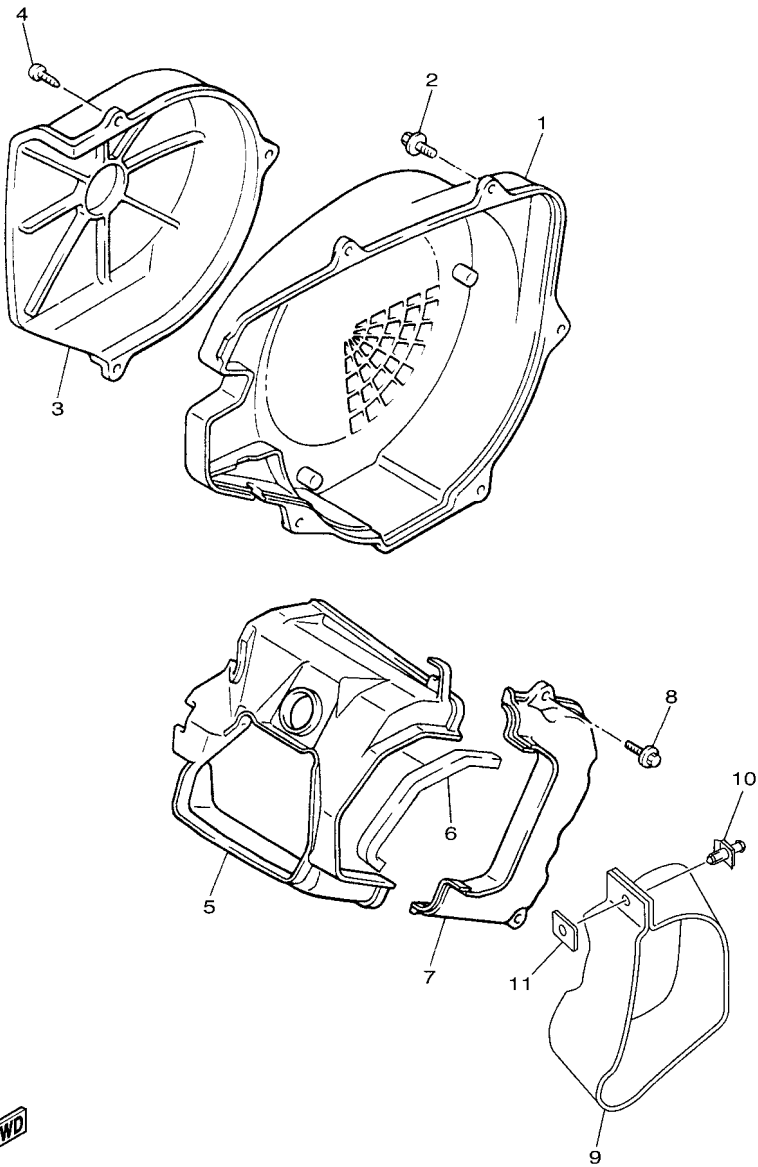


REF. NO.	PART NO.	DESCRIPTION	JB64	REMARKS
1	JR7-12180-10	CAMSHAFT ASSY 2	1	
2	JN6-12111-10	VALVE, INTAKE	1	
3	7RH-12121-10	VALVE, EXHAUST	1	
4	JN6-12153-10	LIFTER, VALVE	2	
5	90501-264A9	SPRING, COMPRESSION	2	
6	J38-12117-01	RETAINER, VALVE SPRING	2	
7	J38-12118-00	LOCK, VALVE SPRING RETAINER	2	
8	JN6-12151-00	ARM, VALVE ROCKER	2	
9	22F-12159-10	SCREW, VALVE ADJUSTING	2	
10	90170-05302	NUT	2	
11	J38-12156-20	SHAFT, ROCKER 2	1	
12	JR7-12154-10	ROD, VALVE PUSH	2	
13	4G0-12119-00	SEAL, VALVE STEM	1	



JT01010-0030

FIG. 4 AIR SHROUD & FAN

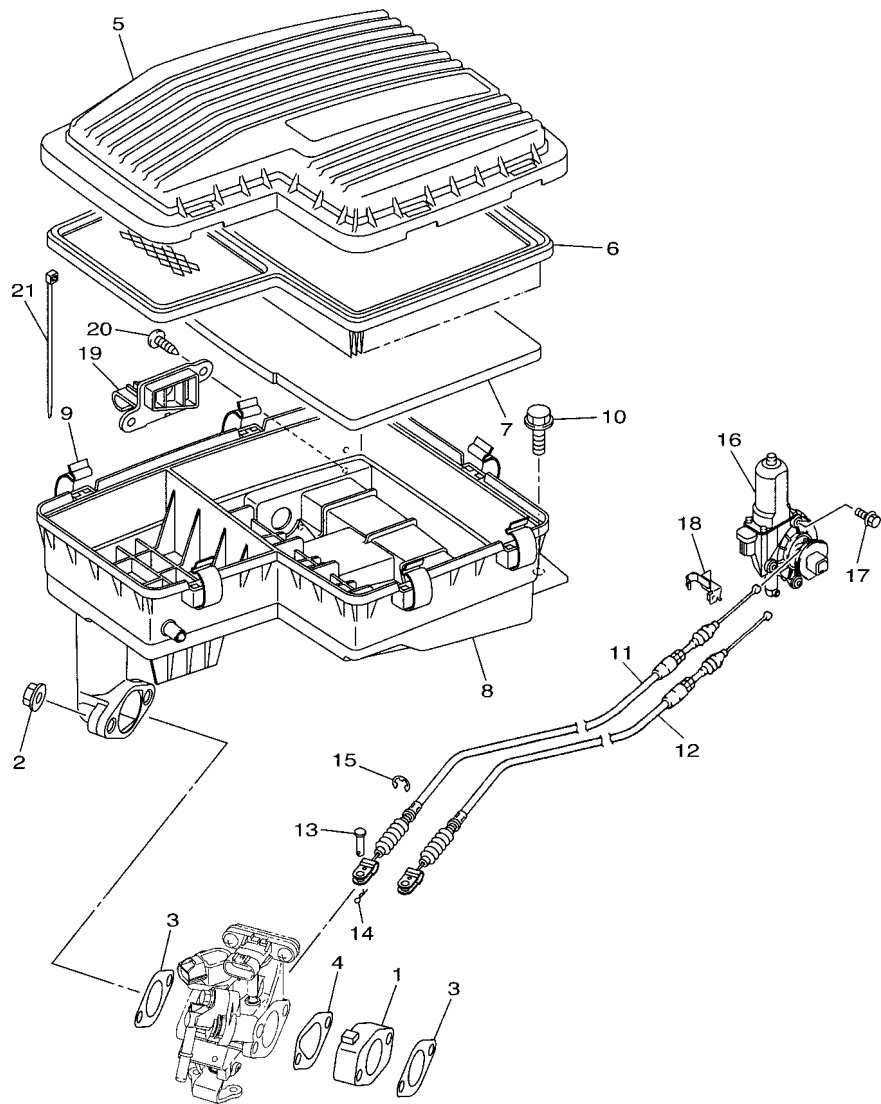


REF. NO.	PART NO.	DESCRIPTION	JB64	REMARKS
1	JN6-12621-02	CASE, FAN	1	
2	95D02-06020	BOLT, FLANGE DEEP RECESS	4	
3	JN6-12616-00	COVER, FAN CASE	1	
4	97702-60420	SCREW, TAPPING	3	
5	JN6-12651-01	AIR SHROUD, CYLINDER 1	1	
6	JR7-12658-00	DAMPER, AIR SHROUD 1	1	
7	JN6-12652-00	AIR SHROUD, CYLINDER 2	1	
8	95D02-06020	BOLT, FLANGE DEEP RECESS	2	
9	JX4-12691-00	DUCT 1	1	
10	90269-10001	RIVET	1	
11	JR7-12634-00	PLATE 2	1	



JC23100-P050

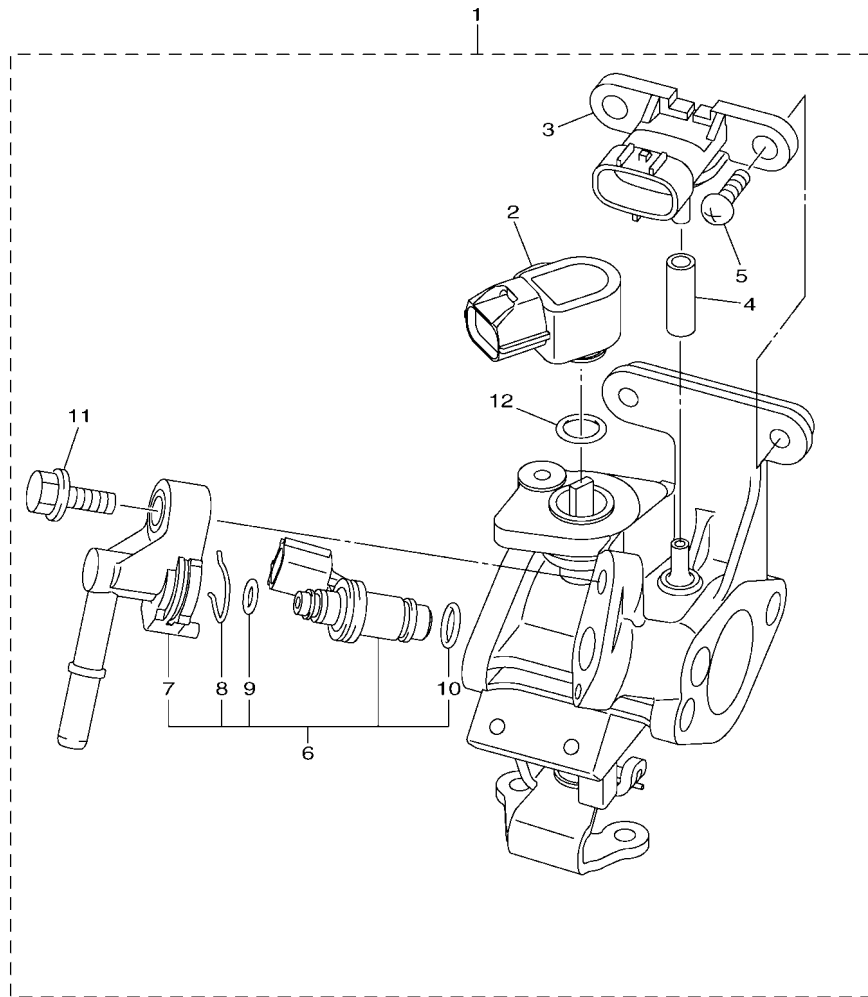
FIG. 5 INTAKE 1



JB62010-S050

REF. NO.	PART NO.	DESCRIPTION	JB64	REMARKS
1	JC0-13595-00	JOINT	1	
2	95702-08500	NUT, FLANGE	2	
3	JN6-13567-00	GASKET	2	
4	JC0-13567-00	GASKET	1	
5	J0B-E4412-00	CAP, CLEANER CASE 1	1	
6	J0B-E4451-01	ELEMENT, AIR CLEANER	1	
7	JU0-E445E-00	FILTER 1	1	
8	J0B-E4411-01	CASE, AIR CLEANER 1	1	
9	3B4-14424-00	CLIP, CAP FITTING	7	
10	95D02-06016	BOLT, FLANGE DEEP RECESS	2	
11	JB2-26312-00	CABLE, THROTTLE 2	1	
12	JB2-26313-00	CABLE, THROTTLE 3	1	
13	91702-05010	PIN, CLEVIS	2	
14	90468-10049	CLIP	2	
15	99001-07600	CIRCLIP	2	
16	JY2-81802-00	MOTOR UNIT ASSY.	1	
17	90153-05064	SCREW, HEXAGON	3	
18	JY2-2384L-01	COVER, DUST	1	
19	JB2-14453-00	JOINT, AIR CLEANER 1	1	
20	97702-50016	SCREW, TAPPING	2	
21	90464-23003	CLAMP	1	

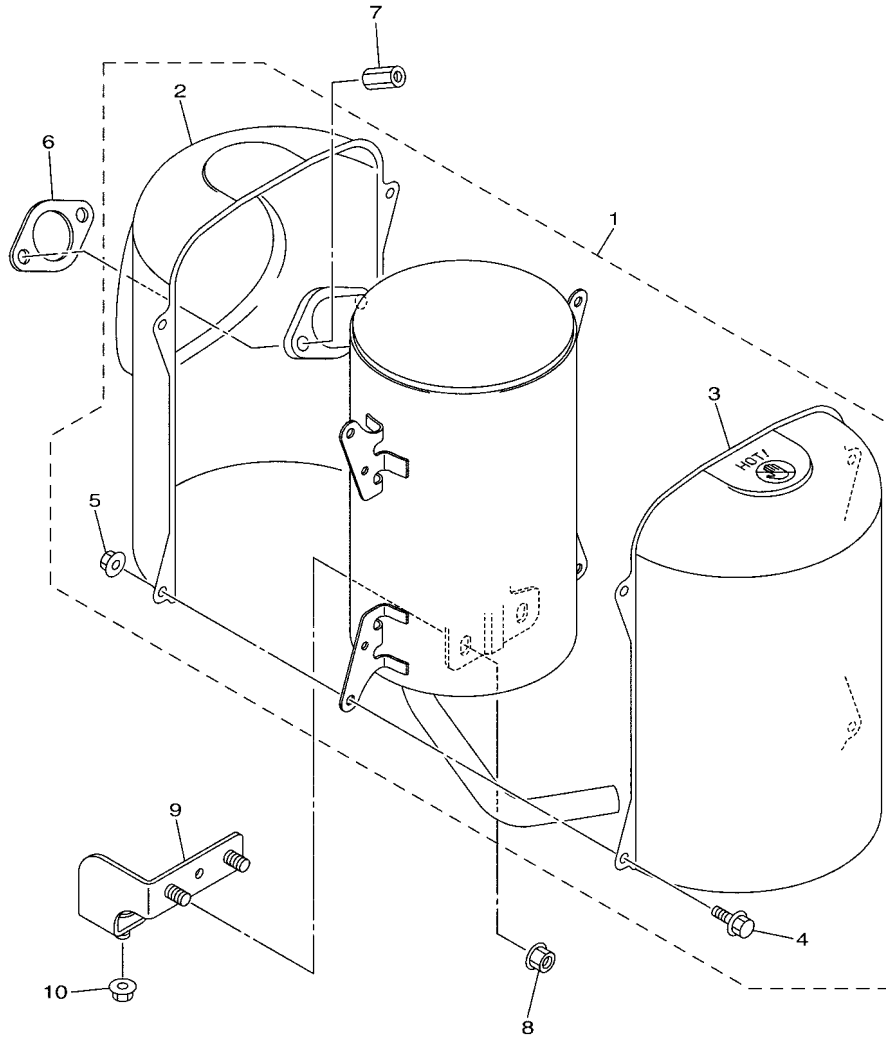
FIG. 6 INTAKE 2



REF. NO.	PART NO.	DESCRIPTION	JB64				REMARKS
1	JB2-13750-01	THROTTLE BODY ASSY	1				
2	JB2-85885-00	.THROTTLE SENSOR ASSY	1				
3	1C7-82380-00	.SENSOR, PRESSURE	1				
4	JC0-13542-01	.HOSE, VACUUM SENSING 1	1				
5	98502-06014	.SCREW, PAN HEAD	2				
6	J0B-13770-00	.INJECTOR ASSY	1				
7	52S-13938-00	..PIPE	1				
8	52B-14137-00	..CLIP	1				
9	52B-14147-00	..O-RING	1				
10	5CA-14147-00	..O-RING	1				
11	95812-06025	.BOLT, FLANGE	1				
12	JB2-13769-00	..O-RING	1				



JB62010-S062

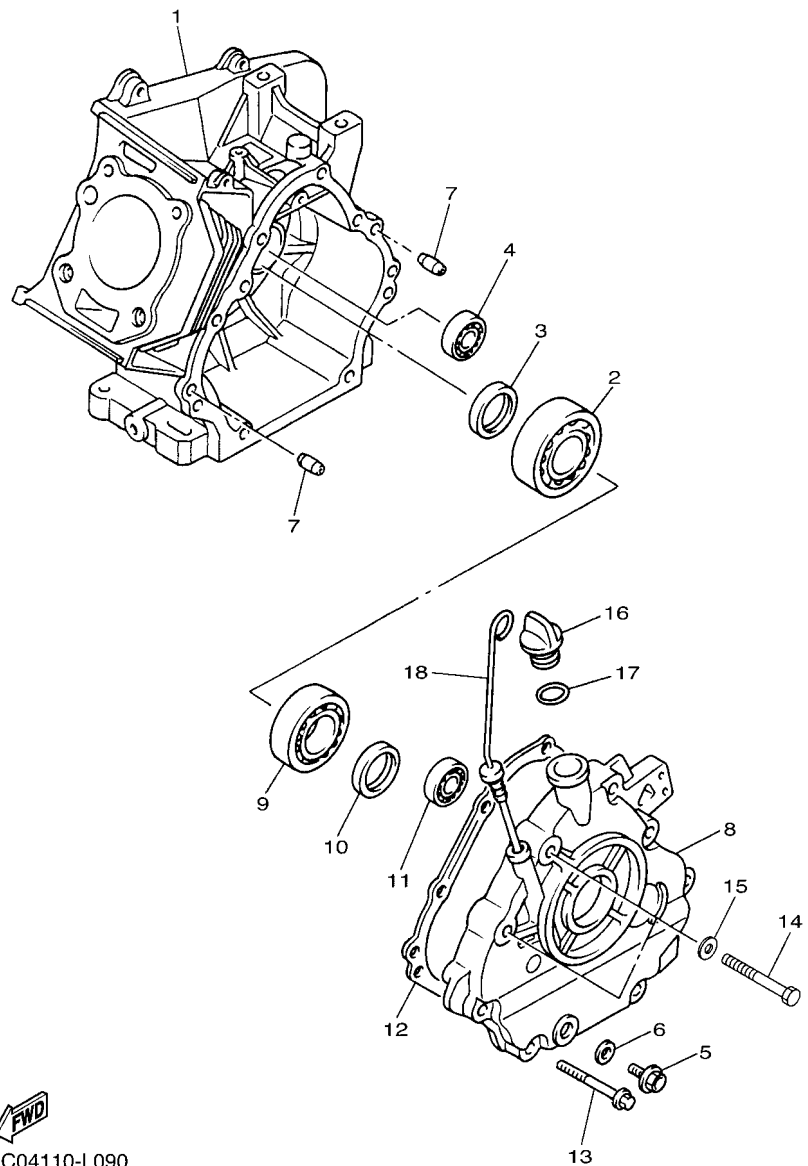


JB62010-S070

FIG. 7 EXHAUST

REF. NO.	PART NO.	DESCRIPTION	JB64	REMARKS
1	JB2-14710-21	MUFFLER ASSY 1	1	
2	J0M-E4718-00	.PROTECTOR, MUFFLER 1	1	
3	J0M-E4728-00	.PROTECTOR, MUFFLER 2	1	
4	95822-06012	.BOLT, FLANGE	4	
5	95602-06200	.NUT, SELF-LOCKING	4	
6	7KY-14613-01	GASKET, EXHAUST 1	1	
7	90170-08209	NUT	2	
8	95702-08500	NUT, FLANGE	2	
9	JB2-14771-00	STAY, MUFFLER 1	1	
10	95702-08500	NUT, FLANGE	1	

FIG. 8 CRANKCASE

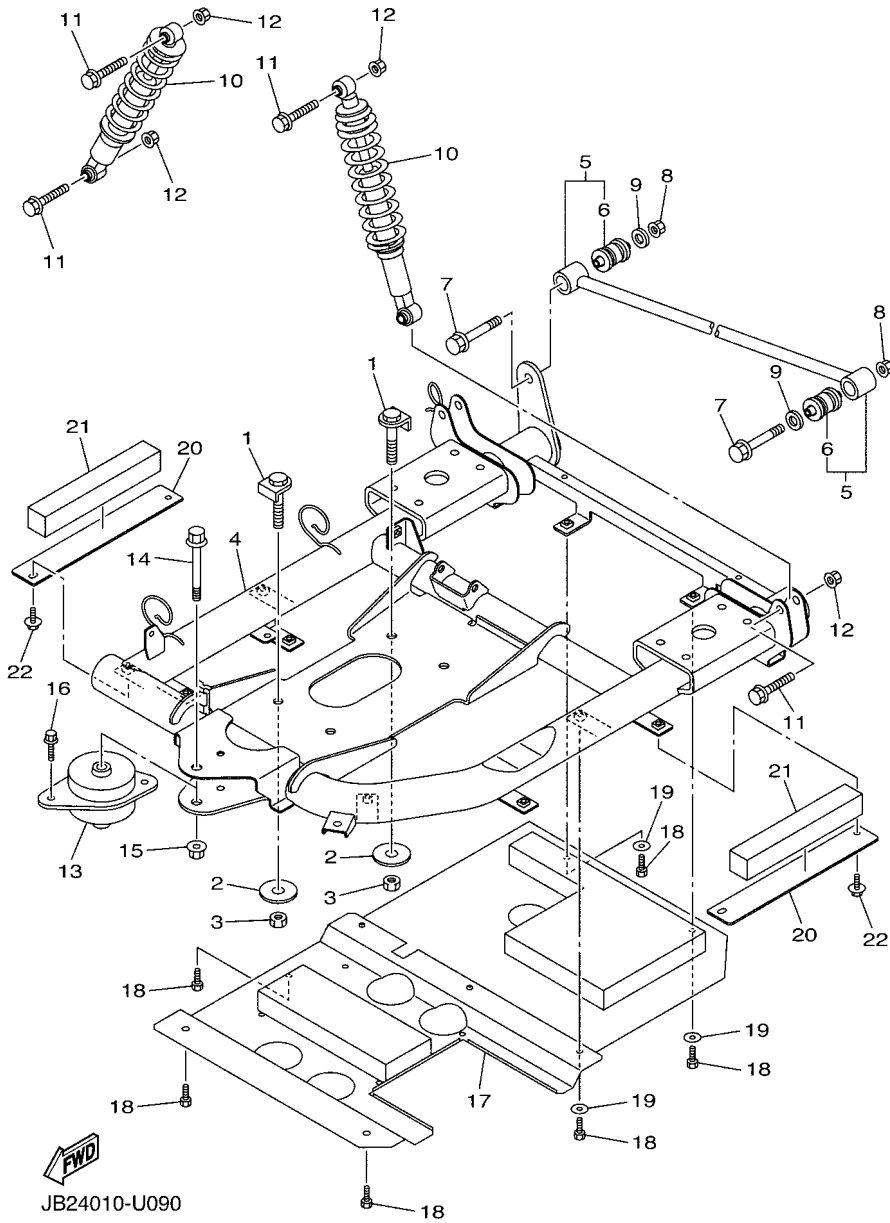


REF. NO.	PART NO.	DESCRIPTION	JB64				REMARKS
1	JC0-15111-01	CRANKCASE 1	1				
2	93306-30709	BEARING	1				
3	93102-35014	OIL SEAL	1				
4	93306-20201	BEARING	1				
5	90340-12097	PLUG, STRAIGHT SCREW	1				
6	812-11198-00	GASKET	1				
7	99530-08016	PIN, DOWEL	2				
8	JN6-15411-01	COVER, CRANKCASE 1	1				
9	93306-20714	BEARING	1				
10	93102-35014	OIL SEAL	1				
11	93306-20201	BEARING	1				
12	JY2-15451-00	GASKET, CRANKCASE COVER 1	1				
13	95812-08045	BOLT, FLANGE	6				
14	97012-10050	BOLT	2				
15	90201-10057	WASHER, PLATE	2				
16	796-15363-01	PLUG, OIL	1				
17	93210-22344	O-RING	1				
18	J38-15361-00	GAUGE, LEVEL	1				



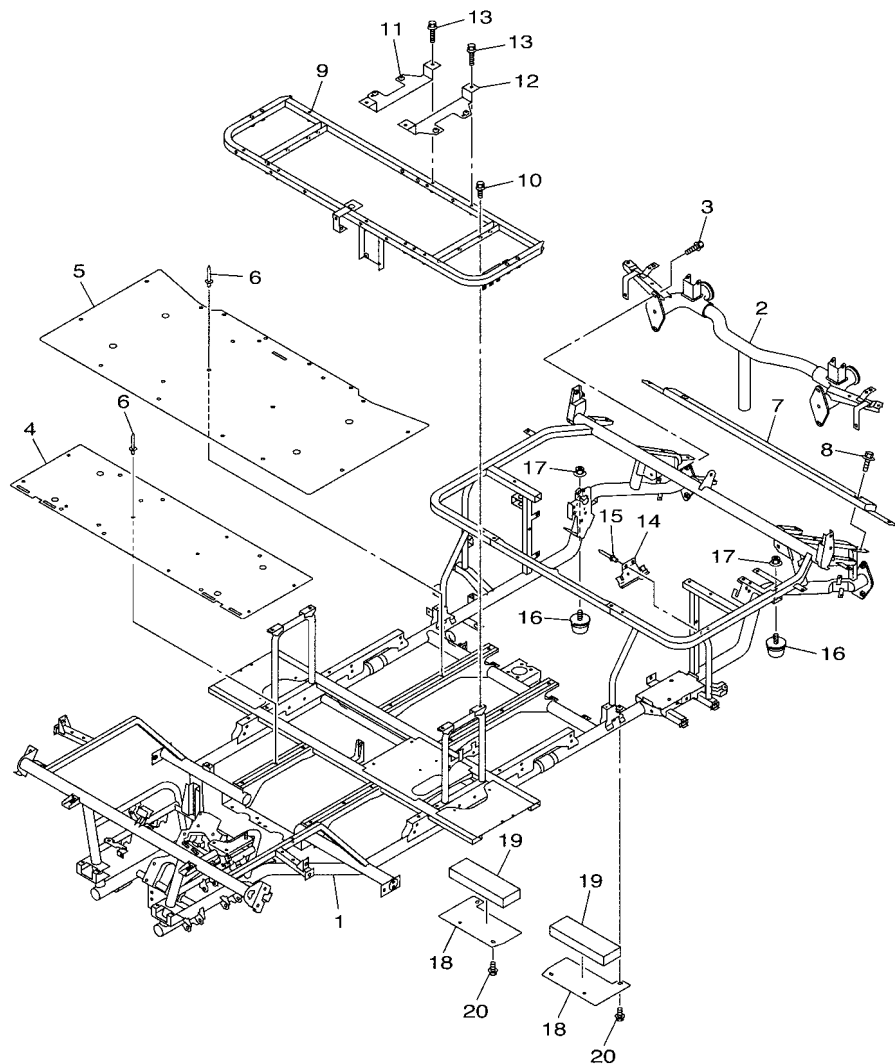
JC04110-L090

FIG. 9 REAR ARM & SUSPENSION



REF. NO.	PART NO.	DESCRIPTION	JB64	REMARKS
1	JT0-21481-00	BOLT, ENGINE MOUNTING 1	4	
2	90201-107G8	WASHER, PLATE	4	
3	90185-10060	NUT, SELF-LOCKING	4	
4	JB2-22110-10	REAR ARM COMP.	1	
5	JB2-22172-00	ARM, REAR 2	1	
6	JX4-22124-00	.BUSH 2	2	
7	95812-12065	BOLT, FLANGE	2	
8	90185-12009	NUT, SELF-LOCKING	2	
9	90201-121J0	WASHER, PLATE	2	
10	JY4-22210-00	SHOCK ABSORBER ASSY, REAR	2	
11	95812-10045	BOLT, FLANGE	4	
12	95602-10200	NUT, S/L FLANGE	4	
13	JX4-22123-00	BUSH 1	1	
14	90105-12031	BOLT, FLANGE	1	
15	95602-12200	NUT, SELF-LOCKING	1	
16	95812-10016	BOLT, FLANGE	2	
17	JB2-22130-20	ARM SUB COMP. 1	1	
18	95D32-06014	BOLT, FLANGE DEEP RECESS	6	
19	90201-06074	WASHER, PLATE	3	
20	JB2-22348-00	PLATE 2	2	
21	JB2-78252-00	PAD, SILENCER 2	2	
22	95817-06014	BOLT, FLANGE	4	

FIG. 10 FRAME

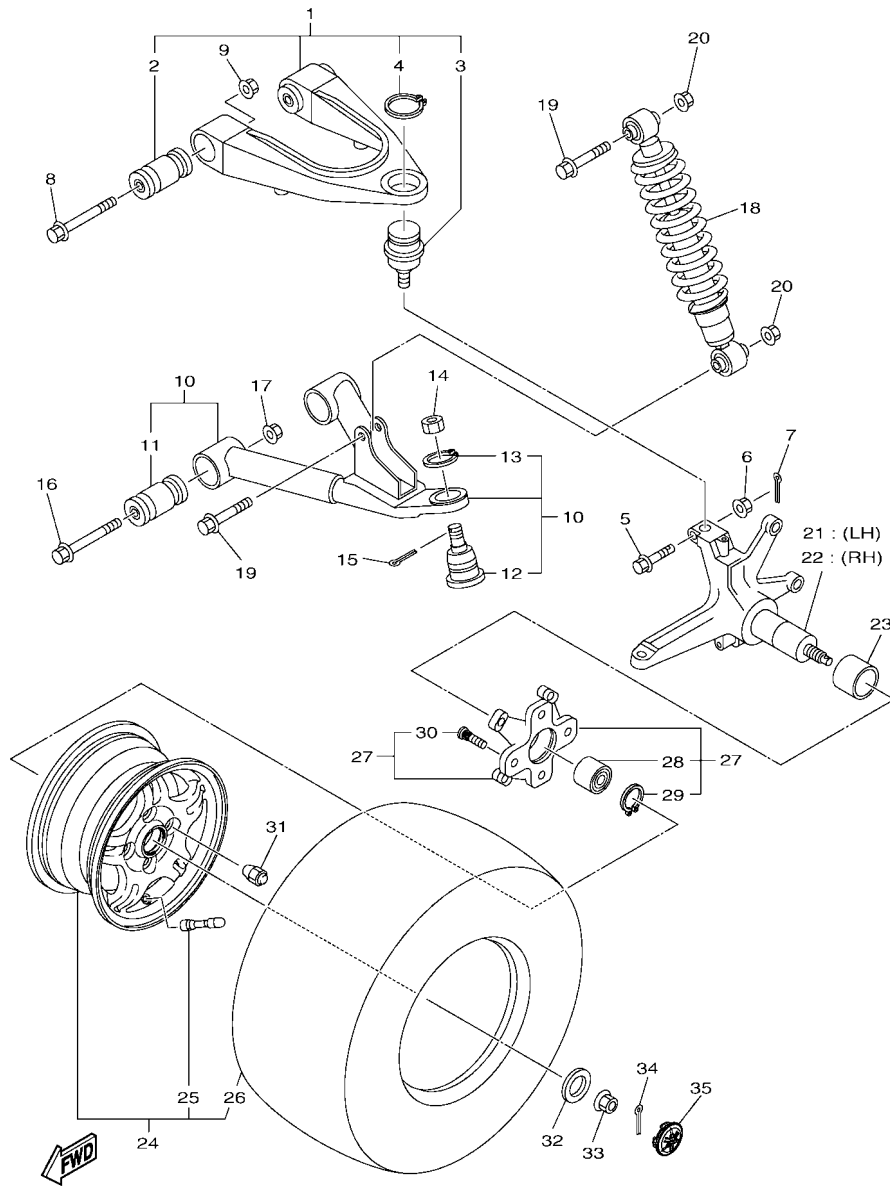


REF. NO.	PART NO.	DESCRIPTION	JB64	REMARKS
1	JB6-22501-29	FRAME COMP.	1	
2	JY6-22504-00	RR. SUB-FRAME COMP.	1	
3	95822-10025	BOLT, FLANGE	4	
4	JB2-22571-00	PANEL 1	1	
5	JB2-22572-11	PANEL 2	1	
6	90267-48101	RIVET, BLIND	20	
7	JX4-22597-00	REINFORCEMENT 2	1	
8	95812-08020	BOLT, FLANGE	2	
9	JB2-78460-01	SEAT FRAME COMP.	1	
10	95D02-06012	BOLT, FLANGE DEEP RECESS	4	
11	JX6-2259N-00	BRACKET, CONTROL 2	1	
12	JX6-2259M-00	BRACKET, CONTROL 1	1	
13	95D02-06030	BOLT, FLANGE DEEP RECESS	4	
14	JX4-22562-01	STAY, FUSE	1	
15	90267-48101	RIVET, BLIND	2	
16	5GJ-22426-00	BUMP, STOP	2	
17	95602-06200	NUT, SELF-LOCKING	2	
18	JB2-22594-00	PLATE 3	2	
19	JB2-78253-00	PAD, SILENCER 3	2	
20	95817-06014	BOLT, FLANGE	6	



JB63411-T100

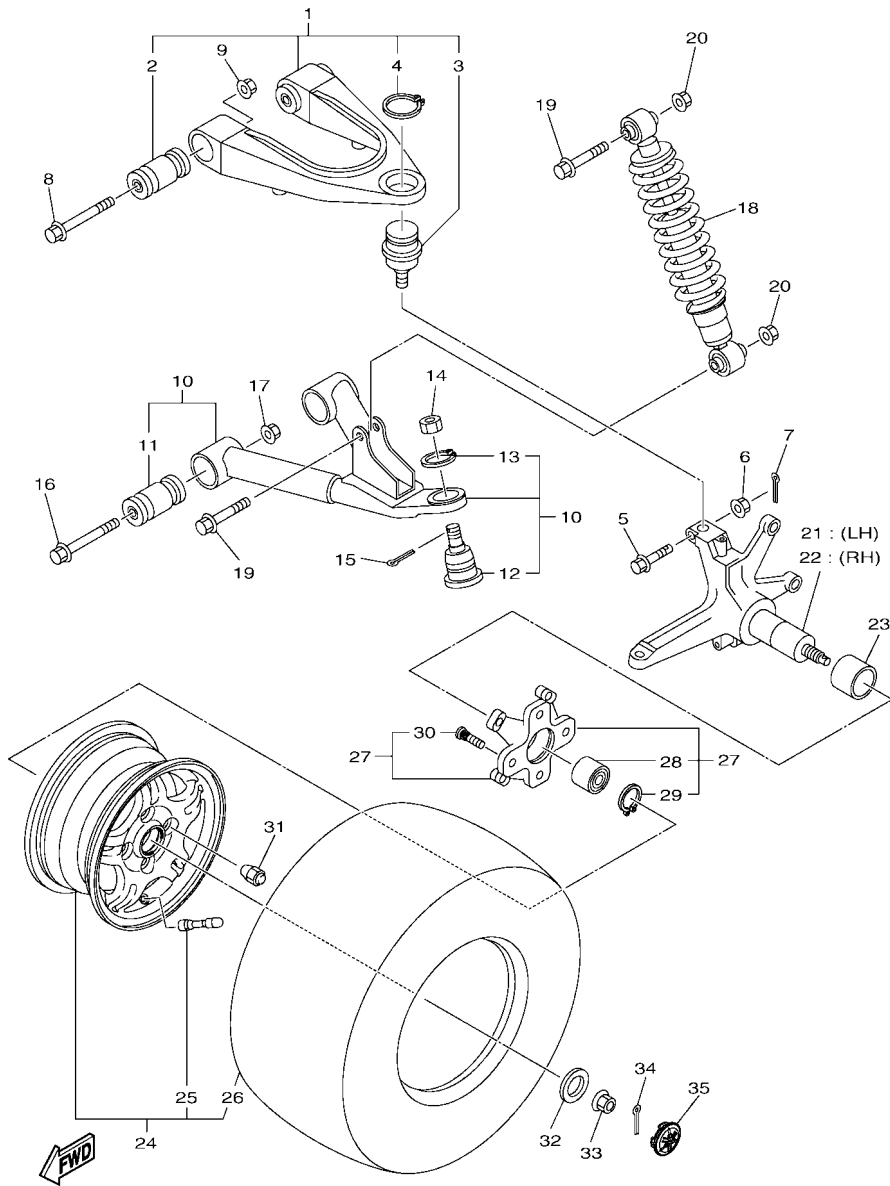
FIG. 11 FRONT SUSPENSION & WHEEL



JB64450-U110

REF. NO.	PART NO.	DESCRIPTION	JB64	REMARKS
1	JB2-23540-00	FRONT UPPER ARM COMP. (LEFT)	2	
2	2HR-23526-00	.BUSH	2	
3	JX4-23549-01	.BALL JOINT 1	1	
4	99009-30400	.CIRCLIP	1	
5	90105-10728	BOLT, FLANGE	2	
6	95702-10500	NUT, FLANGE	2	
7	91402-25020	PIN, COTTER	2	
8	90105-10116	BOLT, FLANGE	4	
9	95607-10200	NUT, U FLANGE	4	
10	JY8-23570-01	FRONT LOWER ARM COMP.	2	
11	2HR-23526-00	.BUSH	2	
12	JX4-23579-01	.BALL JOINT 2	1	
13	99009-32400	.CIRCLIP	1	
14	90171-12001	NUT, CASTLE	2	
15	91402-25020	PIN, COTTER	2	
16	90105-10221	BOLT, FLANGE	4	
17	95602-10200	NUT, S/L FLANGE	4	
18	JY4-23350-00	SHOCK ABSORBER ASSY	2	
19	95822-10045	BOLT, FLANGE	4	
20	95602-10200	NUT, S/L FLANGE	4	
21	JX2-23510-00	KNUCKLE, STEERING COMP. (LEFT)	1	
22	JX2-23520-00	STEERING KNUCKLE COMP. (RIGHT)	1	
23	90387-30006	COLLAR	2	
24	JB2-25100-00	WHEEL ASSY (190/50-12-4PR)	2	
25	93900-00022	.VALVE, RIM (TR413)	1	TAIHEIYO
26	JB2-2510S-00	.TIRE (190/50-12-4PR KENDA)	1	
27	JY2-25110-00	HUB ASSY, FRONT	2	

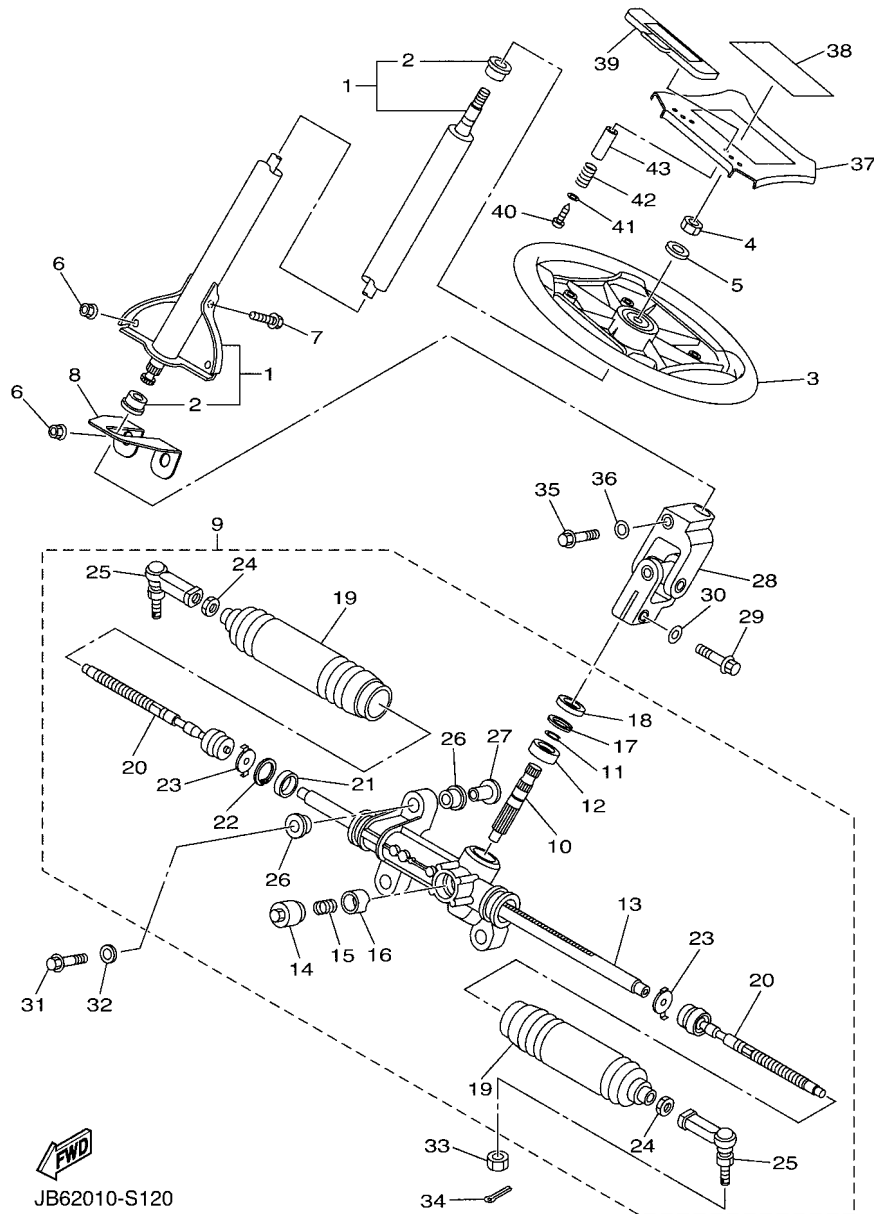
FIG. 11 FRONT SUSPENSION & WHEEL



JB64450-U110

REF. NO.	PART NO.	DESCRIPTION	JB64				REMARKS
28	93305-00602	.BEARING	1				
29	99009-55500	.CIRCLIP	1				
30	90114-10019	.BOLT, SERRATION	4				
31	90179-10031	NUT	8				
32	90201-163M0	WASHER, PLATE	2				
33	95604-16200	NUT, U FLANGE	2				
34	91402-25020	PIN, COTTER	2				
35	JY8-2512A-01	CAP, WHEEL	2				

FIG. 12 STEERING



JB62010-S120

REF. NO.	PART NO.	DESCRIPTION	JB64				REMARKS
1	JY6-23810-00	STEERING COLUMN ASSY	1				
2	J50-23857-00	.HOLDER	2				
3	JN5-23838-00	WHEEL, STEERING	1				
4	95602-12100	NUT, U	1				
5	90201-12190	WASHER, PLATE	1				
6	95702-08500	NUT, FLANGE	4				
7	95812-08020	BOLT, FLANGE	1				
8	JB6-2386N-01	STOPPER	1				
9	JX4-23400-02	STEERING ASSY	1				
10	JX4-2387A-01	.GEAR,PINION	1				
11	JX4-2384N-00	.CLIP, RING	1				
12	JX4-23812-01	.BEARING, STEERING	1				
13	JX4-2387E-00	.GEAR, RACK	1				
14	JR7-2387G-00	.COVER, ADJUST	1				
15	JR7-2387K-00	.SPRING, PRESSURE	1				
16	JR7-2387F-00	.PAD, PRESSURE	1				
17	JR7-2387J-00	.RING, STOPPER	1				
18	JR7-23844-00	.SEAL	1				
19	JR7-23848-00	.BOOTS B	2				
20	JX4-23837-00	.ROD, TIE 2	2				
21	JR7-2467K-00	.BUSH CAP	1				
22	JR7-23866-00	.RING, SNAP	1				
23	JR7-23894-00	.WASHER, LOCK 1	2				
24	JR7-23833-00	.NUT 1	2				
25	JX4-23841-00	.JOINT, UNIVERSAL 1	2				
26	JX4-23445-00	.BUSH	6				
27	JX4-23417-00	.COLLAR	3				

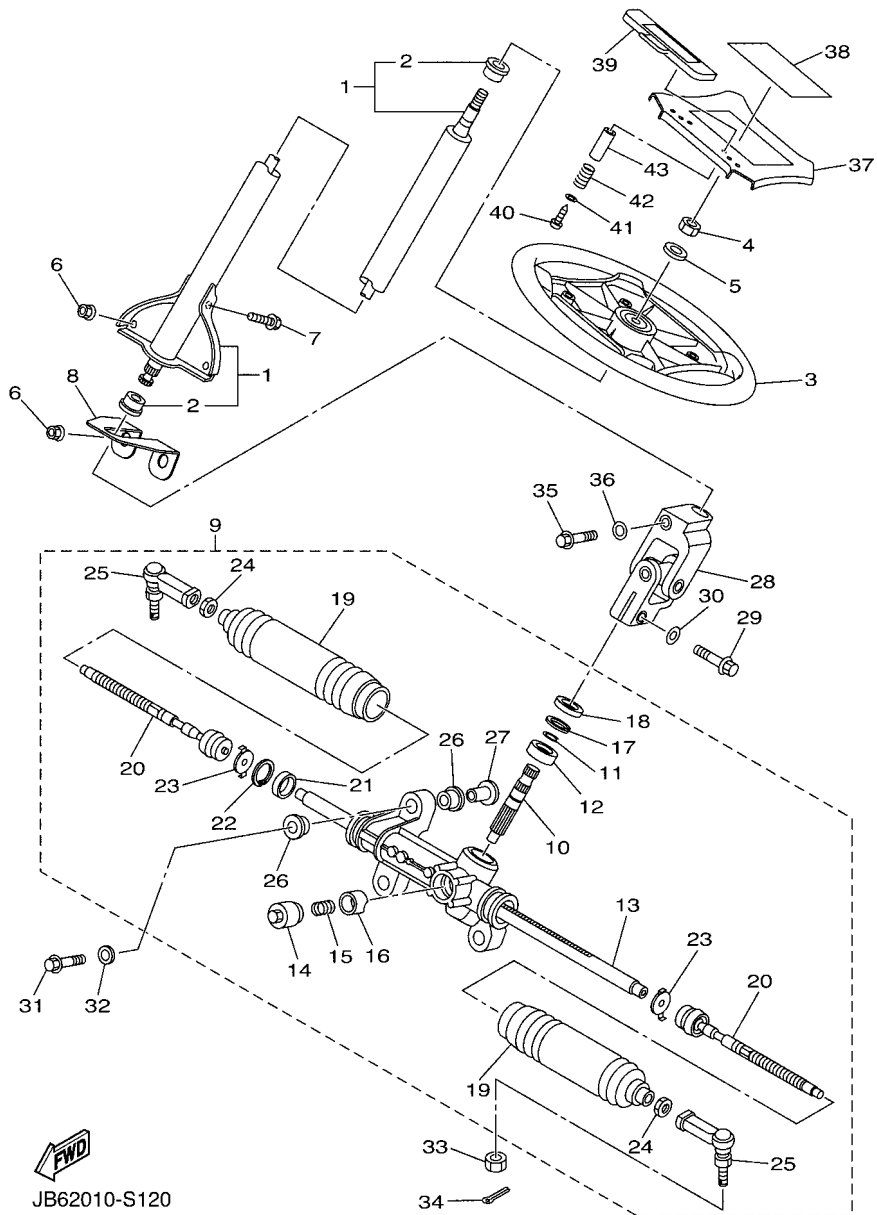
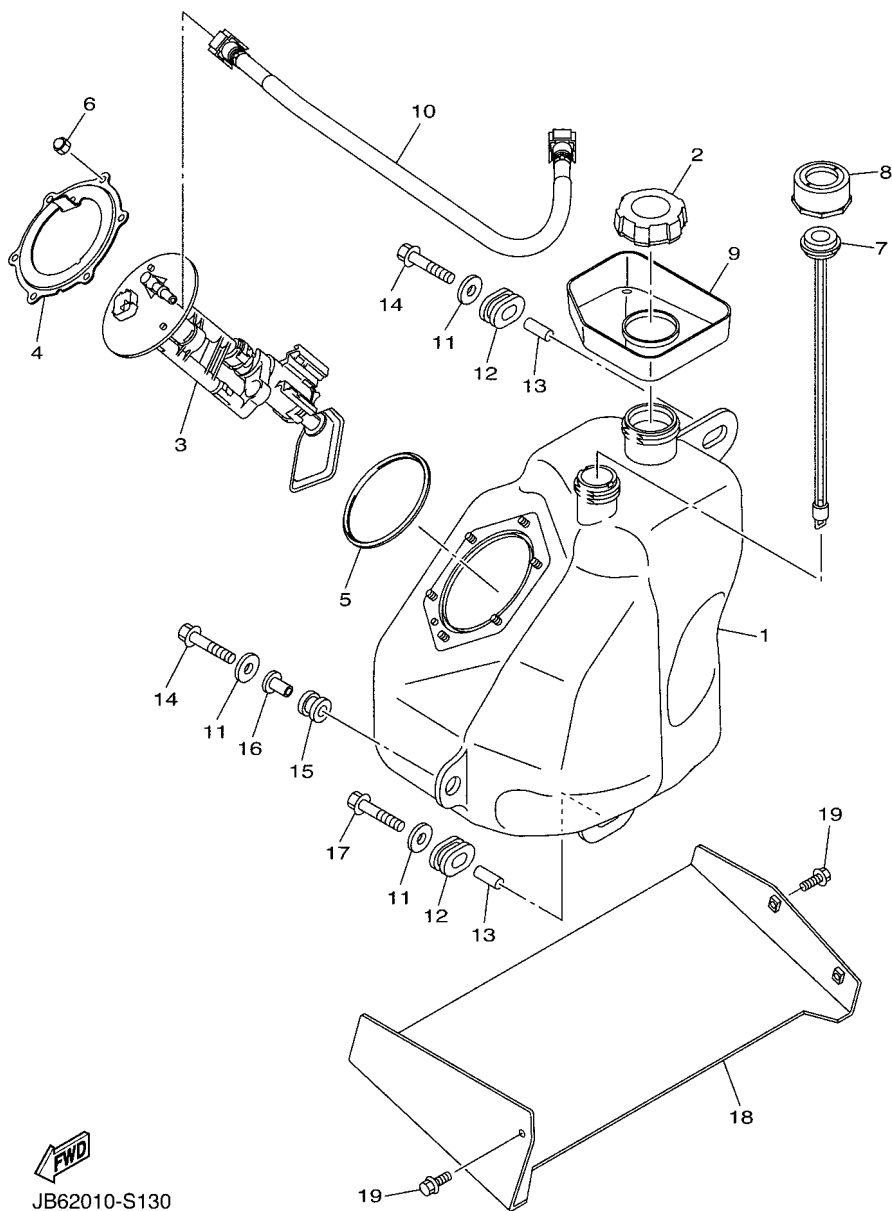


FIG. 12 STEERING

REF. NO.	PART NO.	DESCRIPTION	JB64	REMARKS
28	JR9-23823-01	JOINT 2	1	
29	JX4-23876-00	BOLT	1	
30	JX4-23427-00	WASHER	1	
31	90105-10283	BOLT, FLANGE	3	
32	90201-105A2	WASHER, PLATE	3	
33	90171-12001	NUT, CASTLE	2	
34	91402-25020	PIN, COTTER	2	
35	JX4-23876-00	BOLT	1	
36	JX4-23427-00	WASHER	1	
37	JN5-78357-10	HOLDER 1	1	
38	JY6-77762-10	LABEL, WARNING 2	1	
39	JX4-78358-00	HOLDER 2	1	
40	97707-40525	SCREW, TAPPING	2	
41	90201-044H9	WASHER, PLATE	2	
42	90502-10013	SPRING, CONICAL	2	
43	90387-046N7	COLLAR	2	

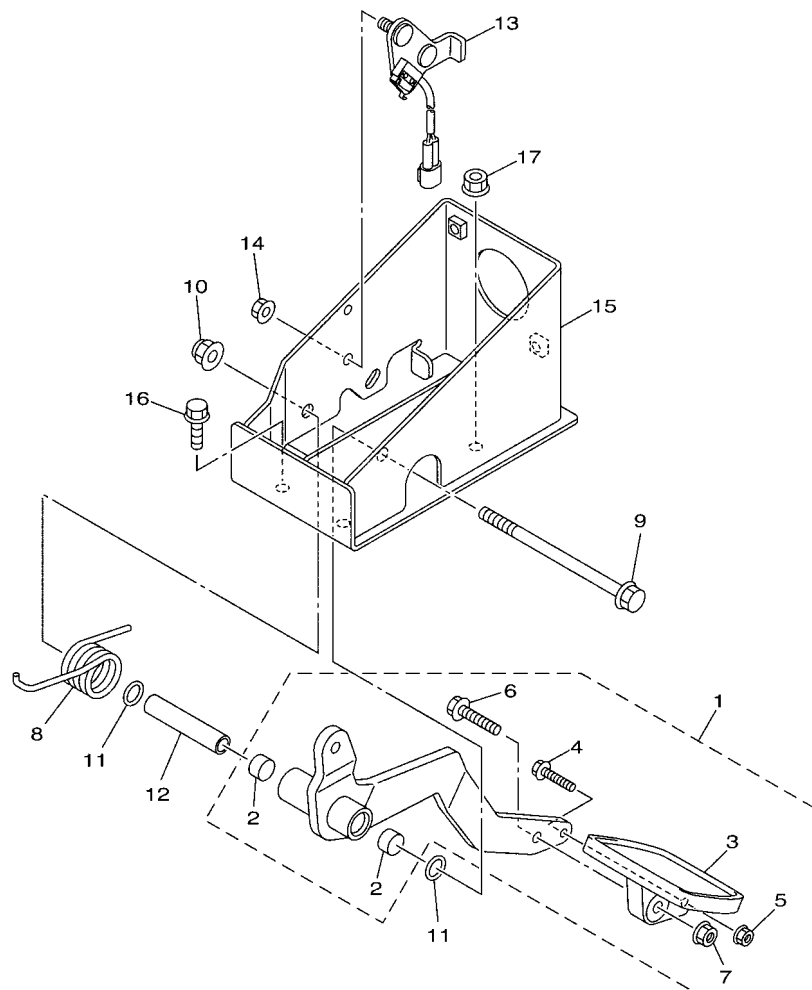
FIG. 13 FUEL TANK



 JB62010-S130

REF. NO.	PART NO.	DESCRIPTION	JB64				REMARKS
1	JB2-24110-01	FUEL TANK COMP.	1				
2	JH2-24610-10	CAP ASSY	1				
3	JOB-13907-01	FUEL PUMP COMP.	1				
4	18P-24491-00	BRACKET, FUEL PUMP	1				
5	1S3-24486-00	O-RING	1				
6	95302-06800	NUT, CROWN	6				
7	JX4-24260-03	FUEL METER ASSY	1				
8	4J2-24261-00	HOUSING, FUEL METER	1				
9	JB2-24217-00	COVER	1				
10	JB2-13971-01	PIPE, FUEL 1	1				
11	90201-06090	WASHER, PLATE	3				
12	90480-01400	GROMMET	2				
13	90387-07598	COLLAR	2				
14	90119-06073	BOLT, WITH WASHER	2				
15	90480-18290	GROMMET	1				
16	90387-066J1	COLLAR	1				
17	90119-06073	BOLT, WITH WASHER	1				
18	JX4-24141-00	PROTECTOR, FUEL TANK	1				
19	95D02-06010	BOLT, FLANGE DEEP RECESS	3				

FIG. 14 BRAKE



REF. NO.	PART NO.	DESCRIPTION	JB64	REMARKS
1	JB2-27200-00	PEDAL, BRAKE	1	
2	90384-14080	.BUSH, BIMETAL FORMED	2	
3	JB2-27211-00	.PEDAL, BRAKE	1	
4	95822-06030	.BOLT, FLANGE	1	
5	95702-06500	.NUT, FLANGE	1	
6	95802-08035	.BOLT, FLANGE	1	
7	95702-08500	.NUT, FLANGE	1	
8	90508-40015	SPRING, TORSION	1	
9	95812-10090	BOLT, FLANGE	1	
10	90185-10019	NUT, SELF-LOCKING	1	
11	93210-132A8	O-RING	2	
12	90387-10109	COLLAR	1	
13	JB2-82530-00	STOP SWITCH ASSY	1	
14	95702-08500	NUT, FLANGE	2	
15	JB2-27263-00	BRACKET 1	1	
16	95822-08014	BOLT, FLANGE	2	
17	95702-08500	NUT, FLANGE	1	



JB21010-P170

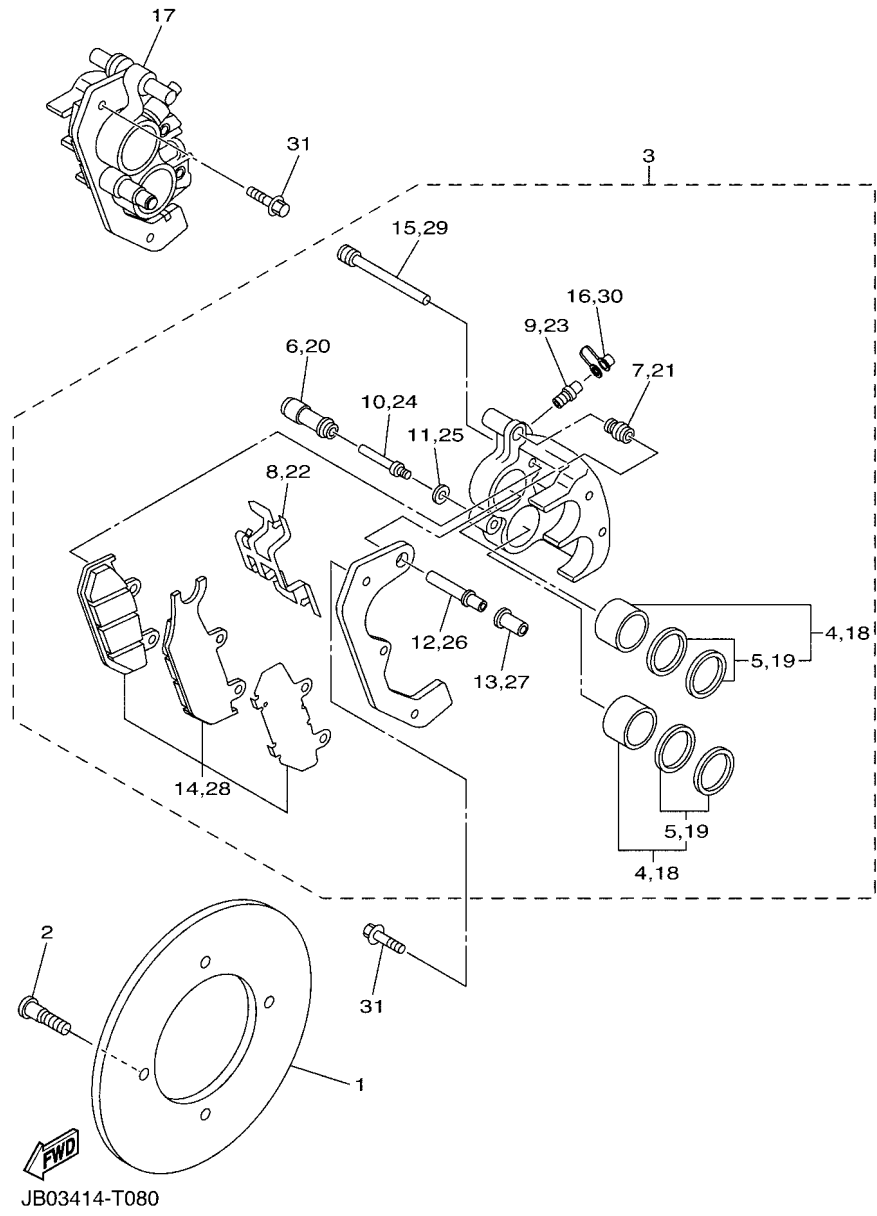
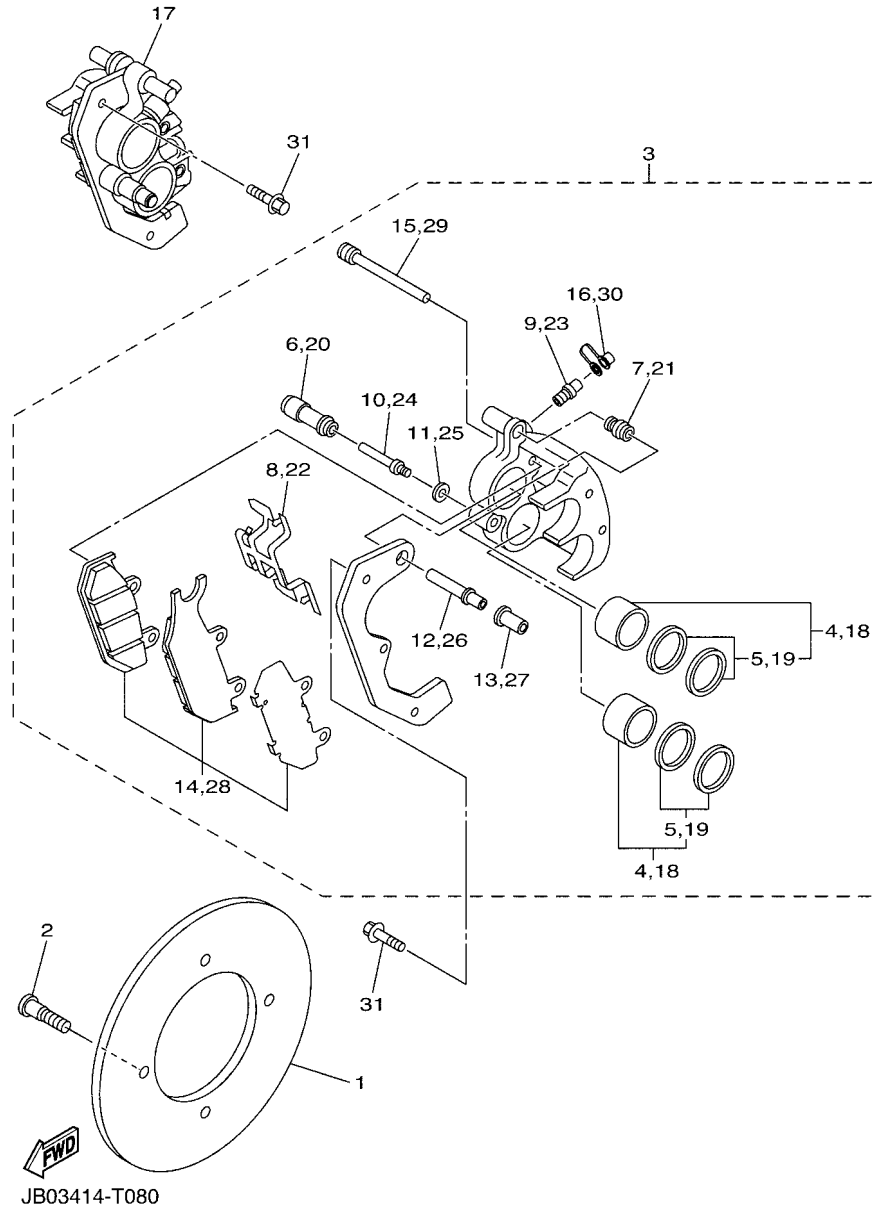


FIG. 15 BRAKE 2

REF. NO.	PART NO.	DESCRIPTION	JB64				REMARKS
1	JX2-2582T-00	DISC, BRAKE	2				
2	90109-08221	BOLT	8				
3	JX2-2580T-03	CALIPER ASSY (LEFT)	1				
4	3TB-W0057-00	.PISTON ASSY, CALIPER	2				
5	3GD-W0047-00	..CALIPER SEAL KIT	1				
6	1UY-25937-51	.BOOT 2	1				
7	3JD-25917-00	.BOOT, CALIPER	1				
8	JX2-25919-00	.SUPPORT, PAD	1				
9	1UY-25824-51	.SCREW, BLEED	1				
10	1UY-25926-51	.BOLT	1				
11	1UY-25938-51	.WASHER, SPRING	1				
12	44C-F592A-00	.BOLT	1				
13	JX2-25961-00	.NUT	1				
14	JX2-W0045-11	.BRAKE PAD KIT	1				
15	3TB-25933-00	.WASHER, PAD PIN	2				
16	1UY-25825-51	.CAP	1				
17	JX2-2580U-03	CALIPER ASSY (RIGHT)	1				
18	3TB-W0057-00	.PISTON ASSY, CALIPER	2				
19	3GD-W0047-00	..CALIPER SEAL KIT	1				
20	1UY-25937-51	.BOOT 2	1				
21	3JD-25917-00	.BOOT, CALIPER	1				
22	JX2-25919-00	.SUPPORT, PAD	1				
23	1UY-25824-51	.SCREW, BLEED	1				
24	1UY-25926-51	.BOLT	1				
25	1UY-25938-51	.WASHER, SPRING	1				
26	44C-F592A-00	.BOLT	1				
27	JX2-25961-00	.NUT	1				

FIG. 15 BRAKE 2



REF. NO.	PART NO.	DESCRIPTION	JB64				REMARKS
28	JX2-W0045-21	.BRAKE PAD KIT	1				
29	3TB-25933-00	.WASHER, PAD PIN	2				
30	1UY-25825-51	.CAP	1				
31	90105-102A9	BOLT, FLANGE	4				

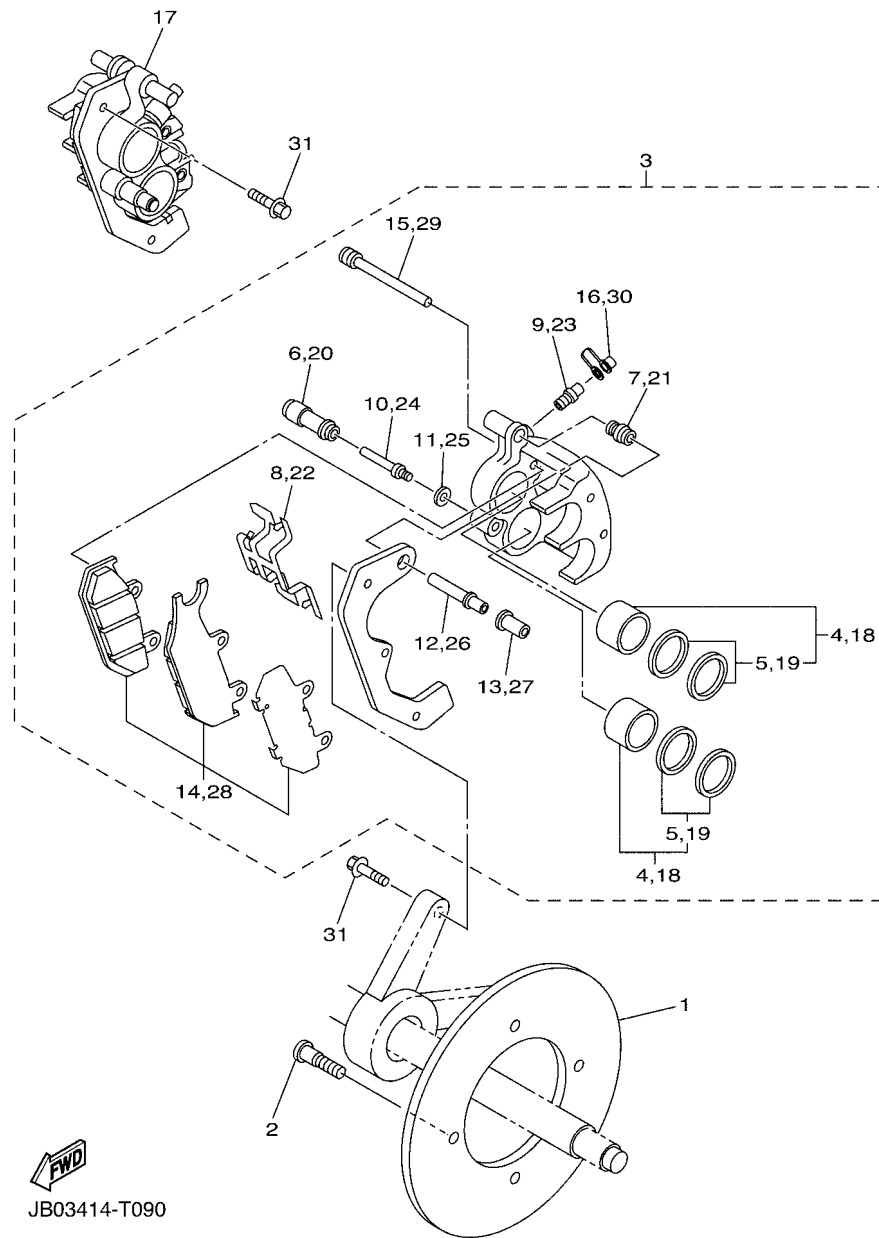


FIG. 16 BRAKE 3

REF. NO.	PART NO.	DESCRIPTION	JB64				REMARKS
1	JX2-2582T-00	DISC, BRAKE	2				
2	90109-08221	BOLT	8				
3	JX2-2580T-03	CALIPER ASSY (LEFT)	1				
4	3TB-W0057-00	.PISTON ASSY, CALIPER	2				
5	3GD-W0047-00	..CALIPER SEAL KIT	1				
6	1UY-25937-51	.BOOT 2	1				
7	3JD-25917-00	.BOOT, CALIPER	1				
8	JX2-25919-00	.SUPPORT, PAD	1				
9	1UY-25824-51	.SCREW, BLEED	1				
10	1UY-25926-51	.BOLT	1				
11	1UY-25938-51	.WASHER, SPRING	1				
12	44C-F592A-00	.BOLT	1				
13	JX2-25961-00	.NUT	1				
14	JX2-W0045-11	.BRAKE PAD KIT	1				
15	3TB-25933-00	.WASHER, PAD PIN	2				
16	1UY-25825-51	.CAP	1				
17	JX2-2580U-03	CALIPER ASSY (RIGHT)	1				
18	3TB-W0057-00	.PISTON ASSY, CALIPER	2				
19	3GD-W0047-00	..CALIPER SEAL KIT	1				
20	1UY-25937-51	.BOOT 2	1				
21	3JD-25917-00	.BOOT, CALIPER	1				
22	JX2-25919-00	.SUPPORT, PAD	1				
23	1UY-25824-51	.SCREW, BLEED	1				
24	1UY-25926-51	.BOLT	1				
25	1UY-25938-51	.WASHER, SPRING	1				
26	44C-F592A-00	.BOLT	1				
27	JX2-25961-00	.NUT	1				

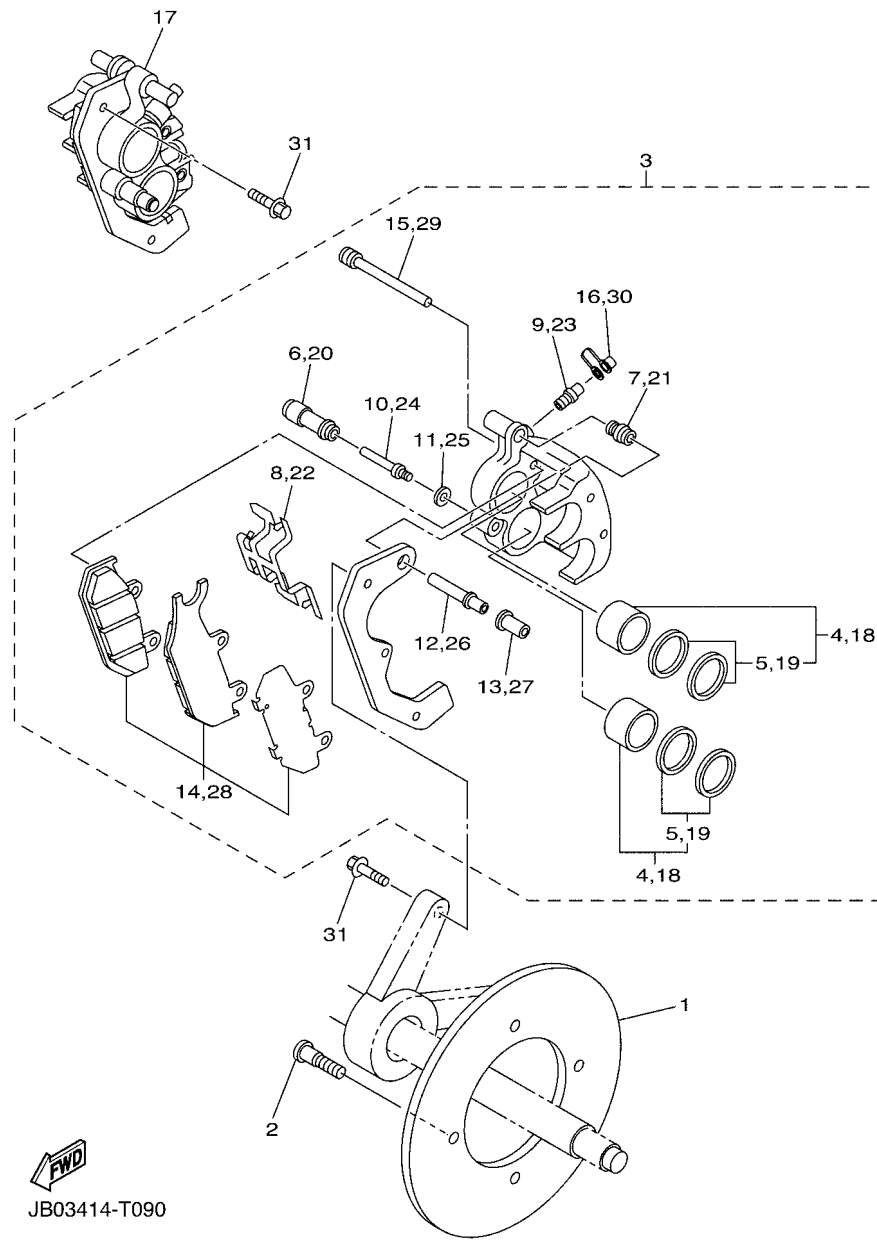
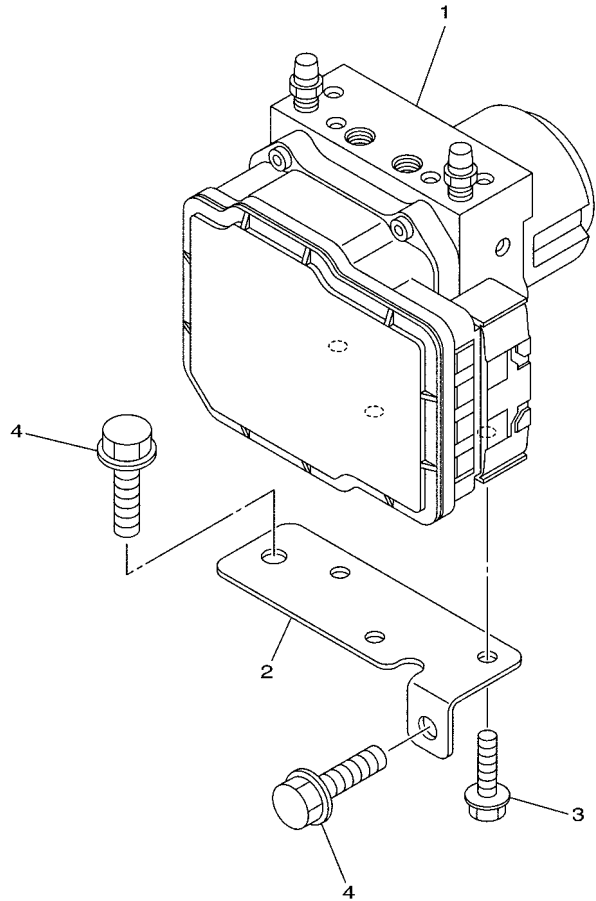


FIG. 16 BRAKE 3

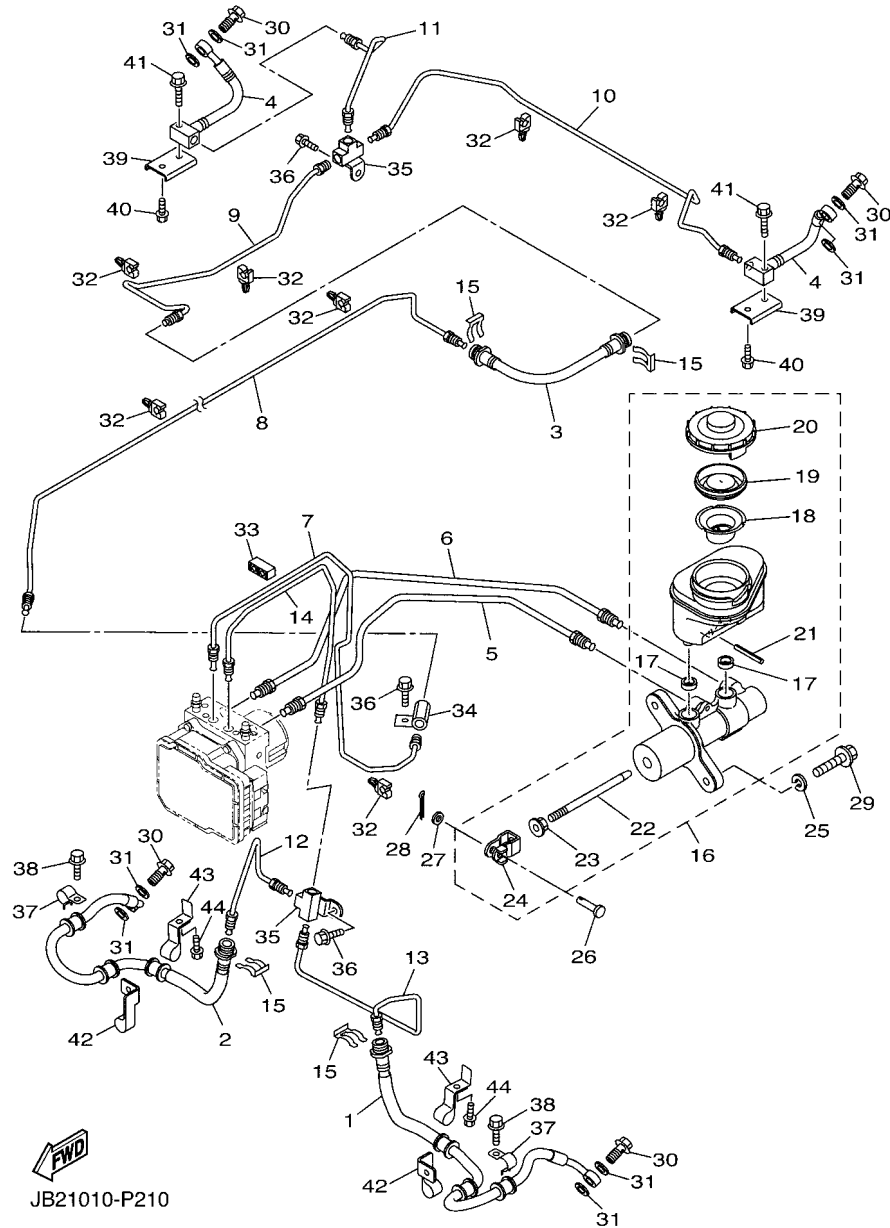
REF. NO.	PART NO.	DESCRIPTION	JB64				REMARKS
28	JX2-W0045-21	.BRAKE PAD KIT	1				
29	3TB-25933-00	.WASHER, PAD PIN	2				
30	1UY-25825-51	.CAP	1				
31	90105-102A9	BOLT, FLANGE	4				

FIG. 17 BRAKE 4



REF. NO.	PART NO.	DESCRIPTION	JB64				REMARKS
1	JB2-85930-09	HYDRAULIC UNIT ASSY	1				
2	JB2-27275-00	PLATE	1				
3	95812-06010	BOLT, FLANGE	3				
4	95812-08012	BOLT, FLANGE	2				

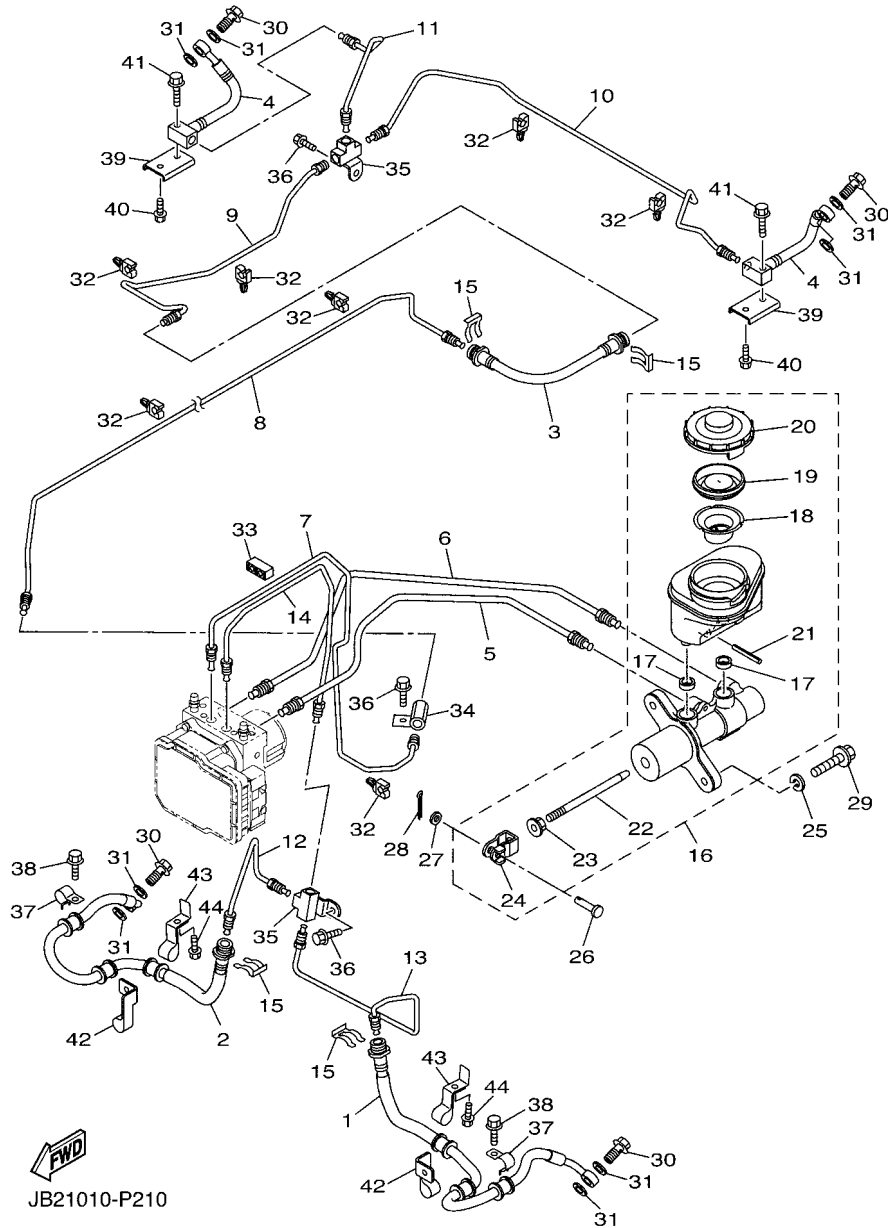
FIG. 18 FRONT MASTER CYLINDER



JB21010-P210

REF. NO.	PART NO.	DESCRIPTION	JB64				REMARKS
1	JB2-25872-00	HOSE, BRAKE 1	1				
2	JB2-25873-00	HOSE, BRAKE 2	1				
3	JB2-25874-00	HOSE, BRAKE 3	1				
4	JB2-2581J-00	HOSE, BRAKE 4	2				
5	JB2-2588H-00	PIPE, BRAKE 9	1				
6	JB2-2588J-00	PIPE, BRAKE 10	1				
7	JB2-25871-00	PIPE, BRAKE	1				
8	JX2-25882-10	PIPE, BRAKE 2	1				
9	JB2-25883-00	PIPE, BRAKE 3	1				
10	JB2-2588A-00	PIPE, BRAKE 4	1				
11	JB2-2588B-00	PIPE, BRAKE 5	1				
12	JX2-2588C-10	PIPE, BRAKE 6	1				
13	JY2-2588D-00	PIPE, BRAKE 7	1				
14	JB2-2588E-00	PIPE, BRAKE 8	1				
15	2GU-25866-00	RING, SNAP	4				
16	JB2-2583T-00	MASTER CYLINDER ASSY	1				
17	JB2-26326-00	.GROMMET	2				
18	JB2-25896-00	.PLATE, RESERVOIR	1				
19	JB2-25816-00	.SEAL, DUST	1				
20	JB2-25852-00	.CAP, RESERVOIR	1				
21	JB2-25826-00	.BOLT, BRIDGE	1				
22	JB2-25880-00	.PUSH ROD COMP.	1				
23	JB2-27218-00	.NUT	1				
24	JB2-27222-00	.JOINT	1				
25	92902-08100	WASHER, SPRING	2				
26	JB2-27229-00	PIN, JOINT	1				
27	90201-08088	WASHER, PLATE	1				

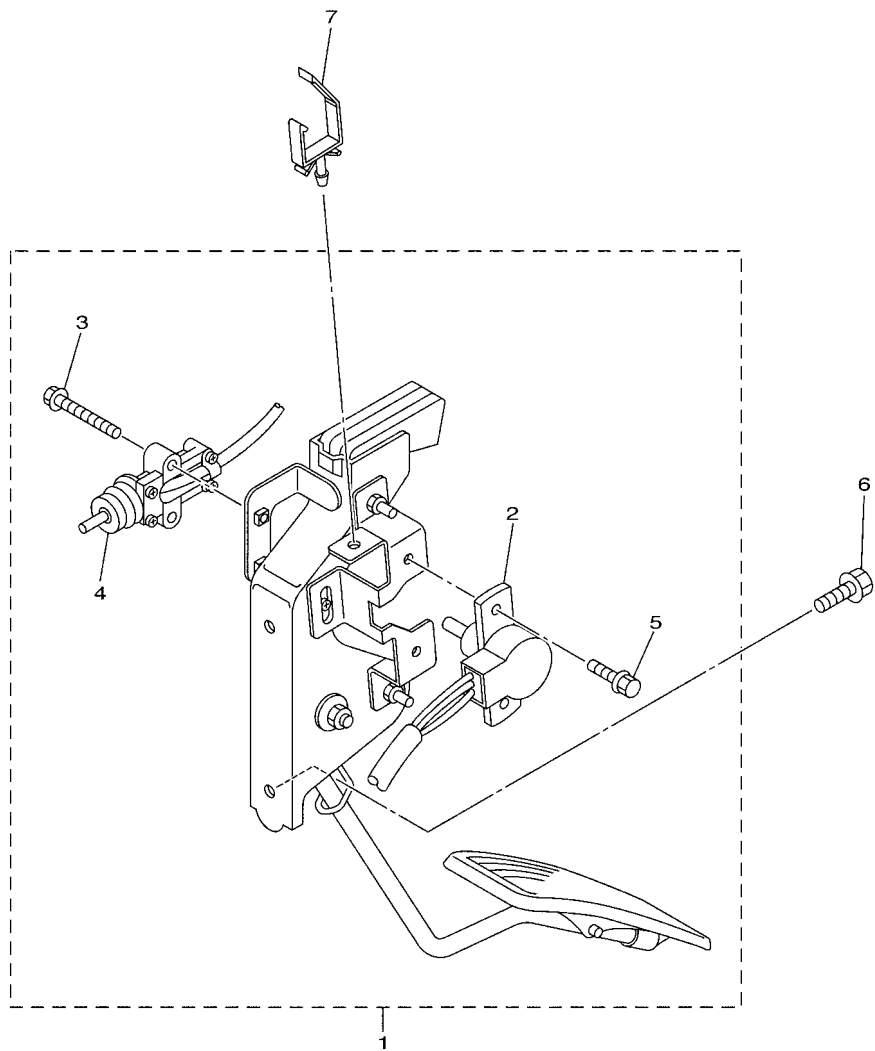
FIG. 18 FRONT MASTER CYLINDER



JB21010-P210

REF. NO.	PART NO.	DESCRIPTION	JB64				REMARKS
28	91490-25020	PIN. COTTER	1				
29	95812-08025	BOLT, FLANGE	2				
30	90401-10015	BOLT, UNION	4				
31	90201-10118	WASHER, PLATE	8				
32	5GM-81677-00	CLAMP 1	7				
33	90464-04002	CLAMP	2				
34	JX2-25885-11	JOINT	1				
35	JX2-2582A-00	JOINT	2				
36	95022-06012	BOLT, FLANGE	3				
37	5KM-25875-00	HOLDER, BRAKE HOSE 1	2				
38	95D02-06012	BOLT, FLANGE DEEP RECESS	2				
39	JB2-25876-00	HOLDER, BRAKE HOSE 2	2				
40	95D02-06012	BOLT, FLANGE DEEP RECESS	2				
41	95D02-06025	BOLT, FLANGE DEEP RECESS	2				
42	JX2-25887-00	HOLDER, BRAKE HOSE 3	2				
43	JX2-2587A-00	HOLDER, BRAKE HOSE 4	2				
44	90109-06302	BOLT	2				

FIG. 19 ACCELERATOR



REF. NO.	PART NO.	DESCRIPTION	JB64	REMARKS
1	JY2-27801-01	ACCEL PEDAL ASSY	1	
2	JN9-85885-00	.THROTTLE SENSORASSY	1	
3	90105-05331	.BOLT, FLANGE	2	
4	JF7-82817-22	.SWITCH	1	
5	97507-05512	.BOLT, WITH WASHER	2	
6	95D02-06012	BOLT, FLANGE DEEP RECESS	2	
7	90464-16021	CLAMP	1	

 JB21010-P220

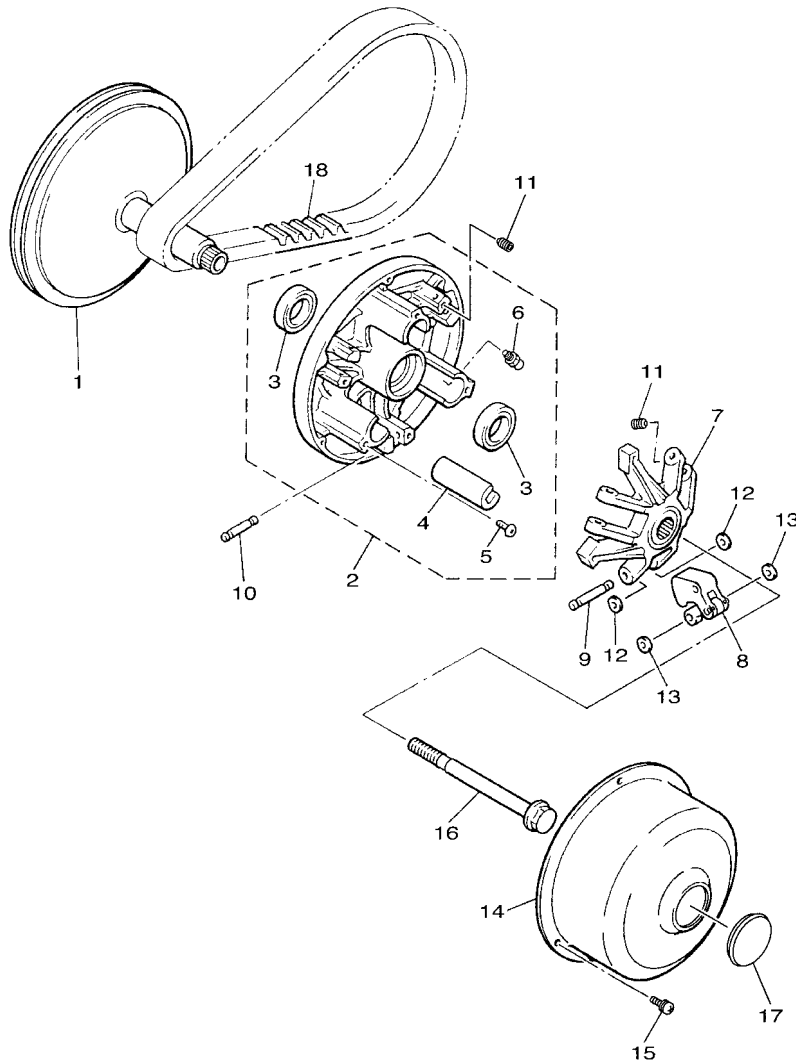
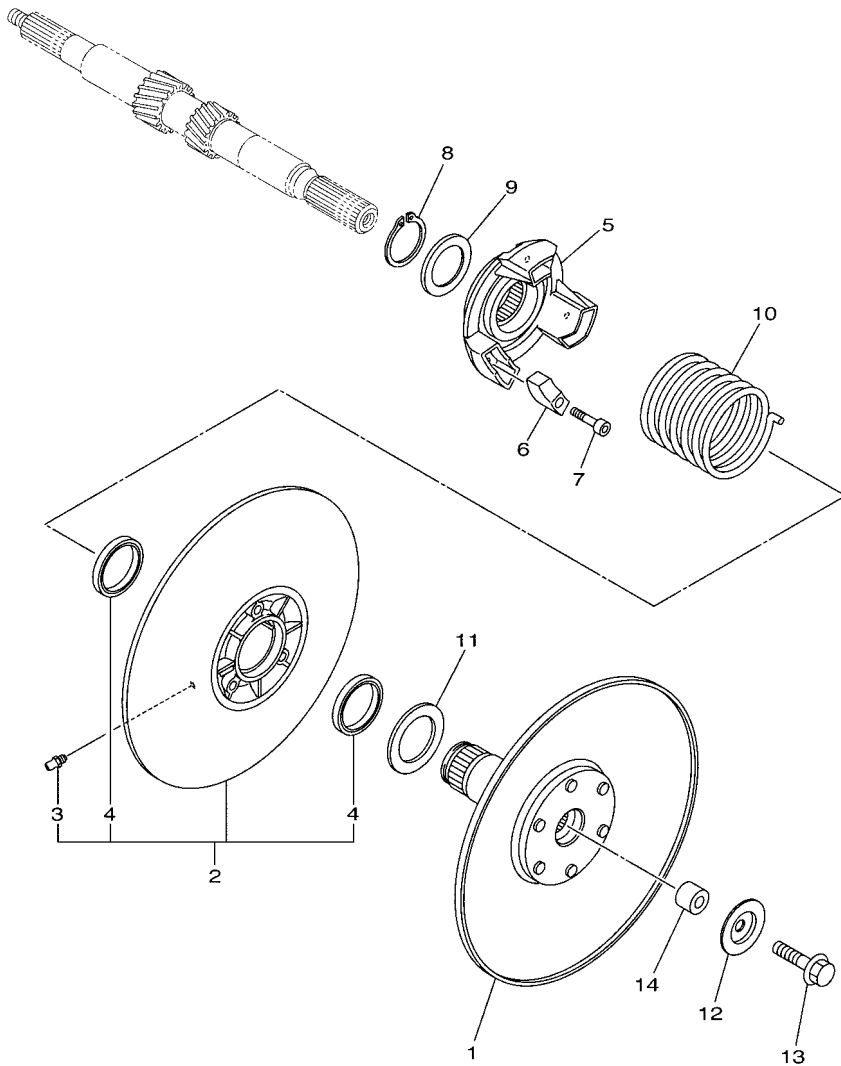


FIG. 20 PRIMARY SHEAVE

REF. NO.	PART NO.	DESCRIPTION	JB64				REMARKS
1	JY2-46210-01	PRIMARY FIXED SHEAVE COMP.	1				
2	JY2-46220-23	PRIMARY SLIDING SHEAVE COMP.	1				
3	JY2-4624A-00	.OIL SEAL 1	2				
4	JY2-46253-00	.SLIDER	3				
5	JY2-44189-00	.SCREW	3				
6	JY2-2135J-00	.NIPPLE	1				
7	JY2-46251-21	SPIDER	1				
8	JY2-46205-24	WEIGHT LINK ASSY	3				
9	JY2-46236-20	PIN, WEIGHT	3				
10	JY2-46237-20	PIN, WEIGHT 2	3				
11	90113-04004	BOLT, SET	6				
12	JY2-45618-00	WASHER, 1	6				
13	JY2-45621-00	WASHER, 2	6				
14	JY2-46231-22	CAP	1				
15	JY2-45282-00	SCREW	3				
16	JY2-46249-00	BOLT	1				
17	JY2-47339-00	PLUG	1				
18	JX4-46241-00	BELT	1				



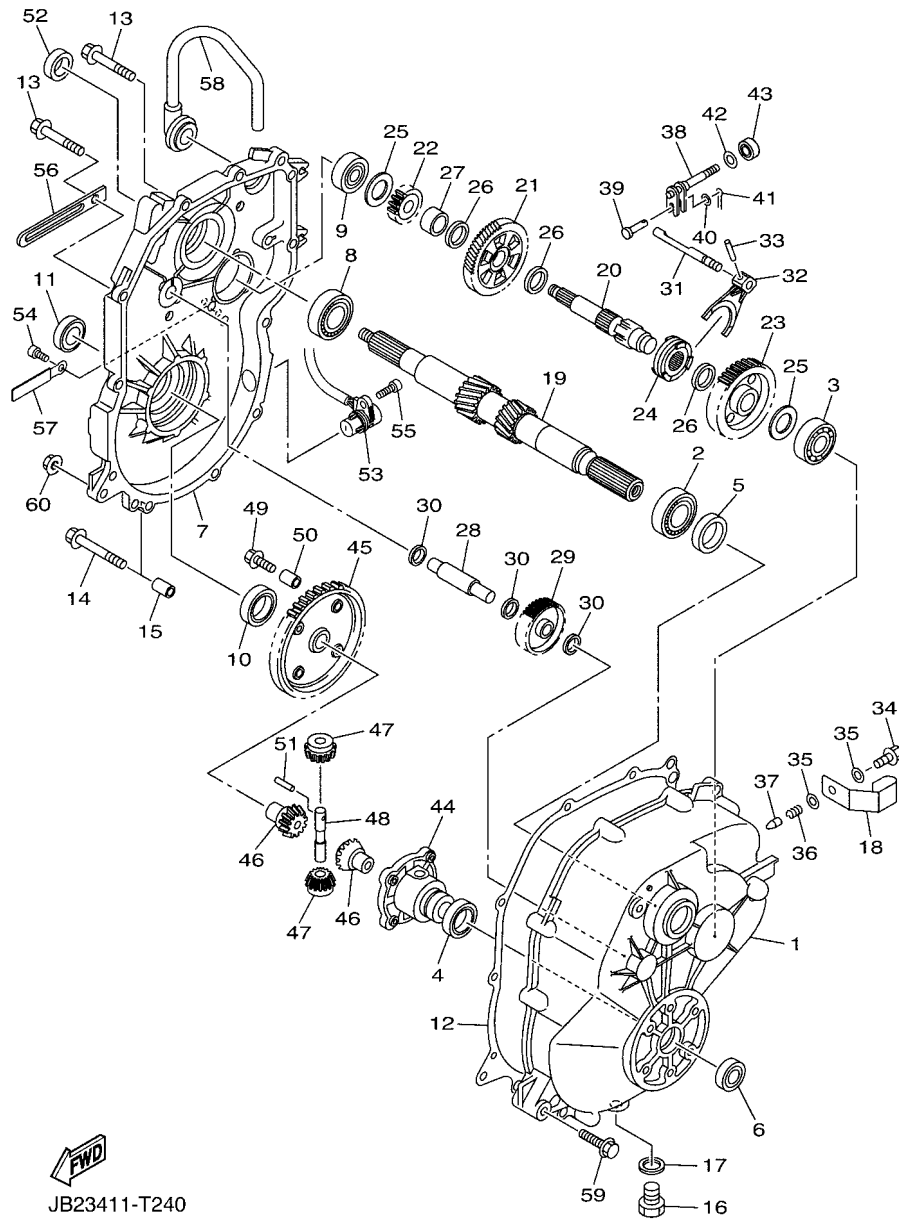
JB62010-S200



JB23411-T230

FIG. 21 SECONDARY SHEAVE

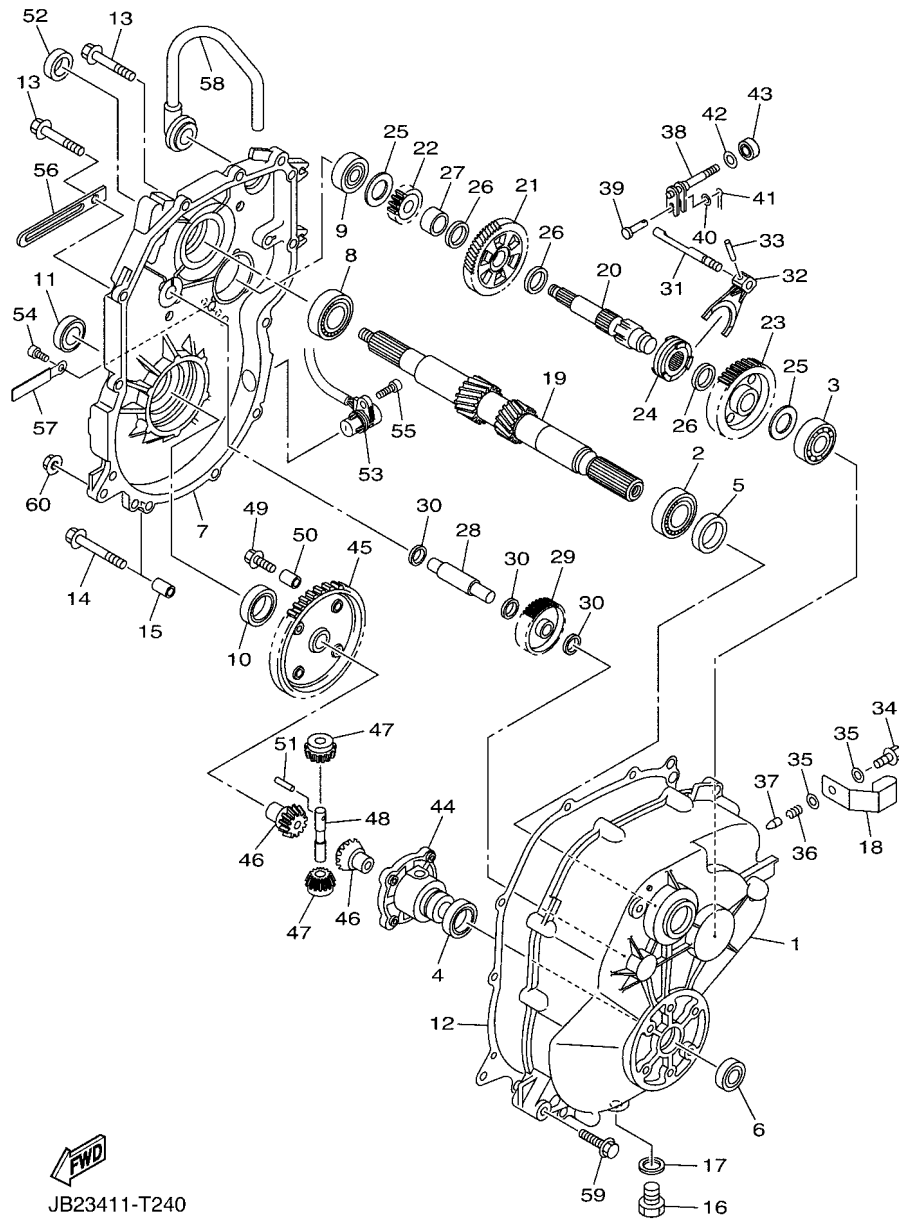
REF. NO.	PART NO.	DESCRIPTION	JB64				REMARKS
1	JB2-46260-11	SECONDARY FIXED SHEAVE COMP.	1				
2	JY2-46270-21	SECONDARY SLIDING SHEAVE COMP.	1				
3	JY2-2135J-00	.NIPPLE	1				
4	JY2-4624B-00	.OIL SEAL 2	2				
5	JB2-46284-00	SEAT, SECONDARY SPRING	1				
6	JY2-17688-01	SHOE, RAMP	3				
7	JY2-46159-00	BOLT 3	3				
8	JY2-45531-00	CLIP, DRIVE SHAFT	1				
9	JY2-46374-00	COLLAR, SPRING	1				
10	JY2-46275-00	SPRING, CLUTCH 1	1				
11	JY2-45677-00	WASHER	1				
12	90209-08013	WASHER	1				
13	90105-08002	BOLT, FLANGE	1				
14	90387-08100	COLLAR	1				



JB23411-T240

FIG. 22 TRANSMISSION 1

REF. NO.	PART NO.	DESCRIPTION	JB64	REMARKS
1	JX4-46311-11	CASE, TRANSMISSION 1	1	
2	93306-20548	BEARING	1	
3	93306-20401	BEARING	1	
4	93306-00810	BEARING	1	
5	93102-25017	OIL SEAL	1	
6	93102-25360	OIL SEAL	1	
7	JB2-46312-00	CASE, TRANSMISSION 2	1	
8	93306-20421	BEARING	1	
9	93306-20401	BEARING	1	
10	93306-00810	BEARING	1	
11	93102-25360	OIL SEAL	1	
12	JX4-46319-00	GASKET	1	
13	95D32-08040	BOLT, FLANGE DEEP RECESS	9	
14	95822-08050	BOLT, FLANGE	2	
15	99530-12016	PIN, DOWEL	2	
16	90340-14036	PLUG, STRAIGHT SCREW	1	
17	90430-14043	GASKET	1	
18	90465-06011	CLAMP	1	
19	JB2-46321-00	SHAFT, INPUT	1	
20	J38-46351-00	SHAFT, COUNTER	1	
21	JB2-46361-11	GEAR, COUNTER 1	1	
22	JB2-46362-00	GEAR, COUNTER 2	1	
23	J38-46363-00	GEAR, REVERSE	1	
24	JY2-4636A-00	DOG, CLUTCH	1	
25	90201-20611	WASHER, PLATE	2	
26	90201-257J2	WASHER, PLATE	3	
27	90387-252M8	COLLAR	1	

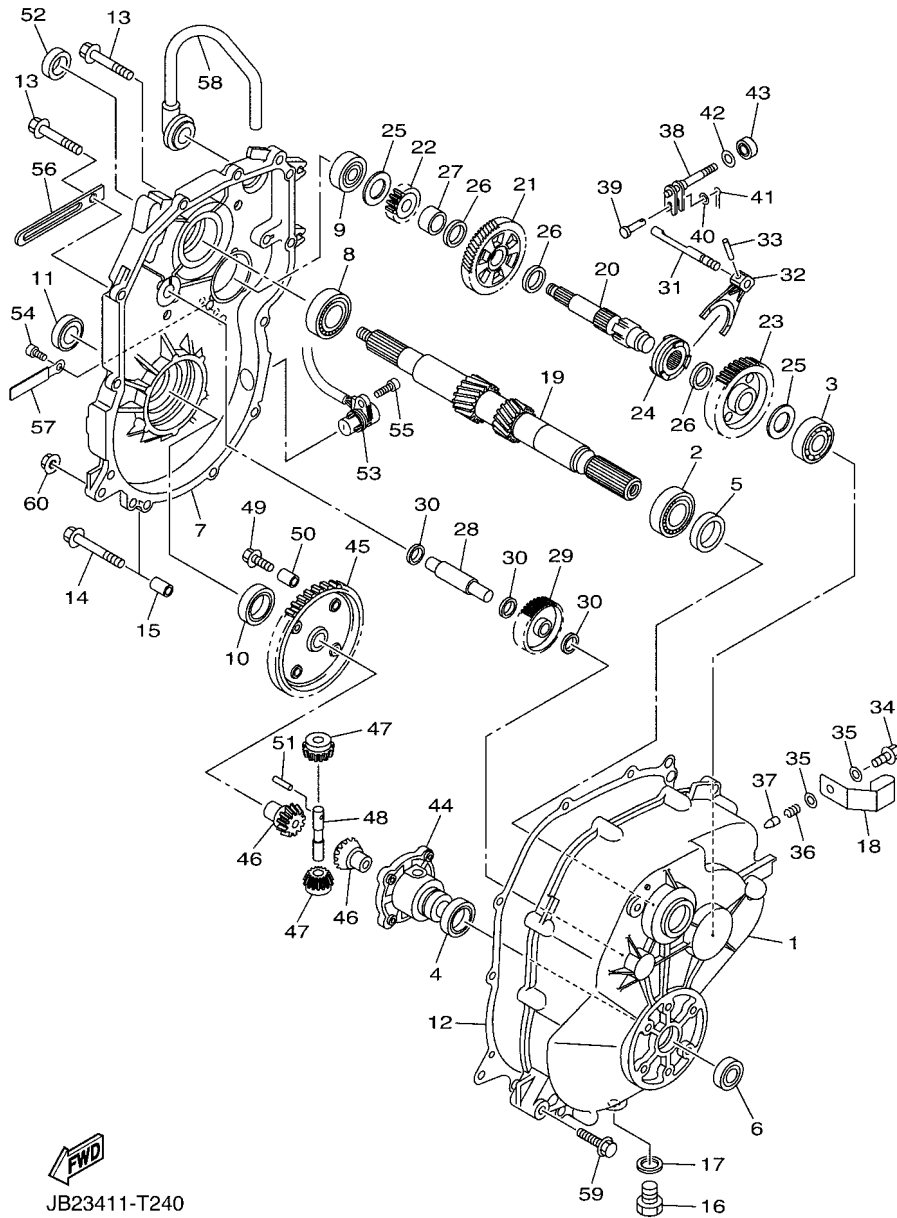


JB23411-T240

FIG. 22 TRANSMISSION 1

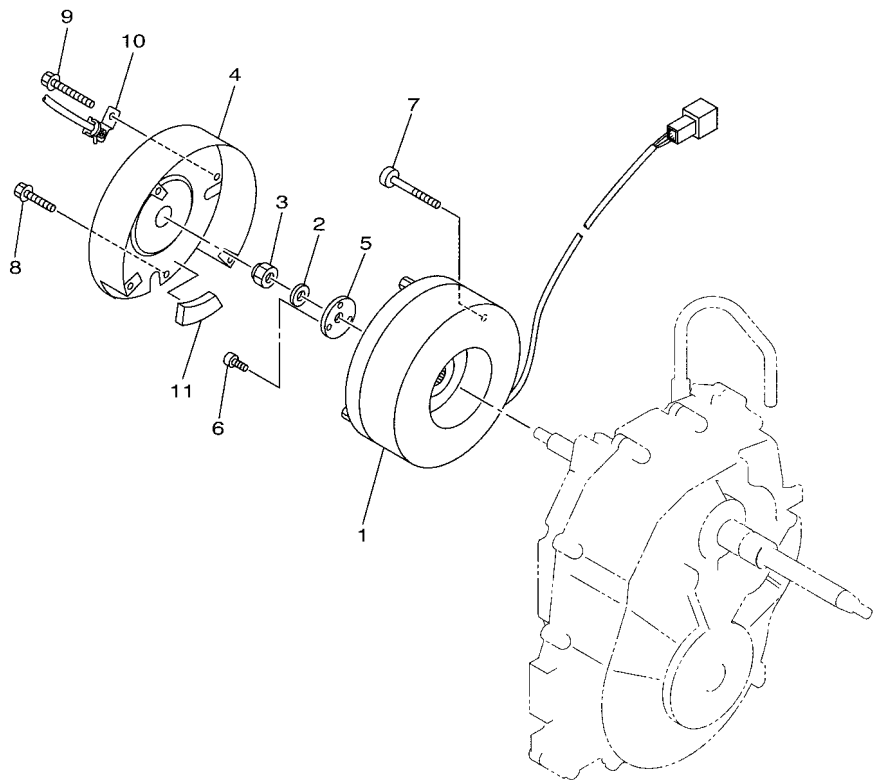
REF. NO.	PART NO.	DESCRIPTION	JB64				REMARKS
28	J38-46348-00	SHAFT 2	1				
29	J38-46356-00	GEAR, IDLER	1				
30	90201-17713	WASHER, PLATE	3				
31	JX4-4633A-00	BAR, SHIFT FORK GUIDE	1				
32	J38-46338-00	FORK, SHIFT	1				
33	91609-40020	PIN, SPRING	1				
34	90101-08344	BOLT	1				
35	90430-08119	GASKET	2				
36	90501-10060	SPRING, COMPRESSION	1				
37	90249-07190	PIN	1				
38	JX4-46384-00	LEVER, SHIFT 3	1				
39	91702-06022	PIN, CLEVIS	1				
40	92902-06200	WASHER	1				
41	91402-20012	PIN, COTTER	1				
42	90201-12166	WASHER, PLATE	1				
43	93102-12224	OIL SEAL	1				
44	JB2-46411-00	CASE, DIFFERENTIAL	1				
45	JB2-46421-10	GEAR, RING	1				
46	JB2-46414-00	GEAR, DIFFERENTIAL SIDE	2				
47	JB2-46415-00	PINION, DIFFERENTIAL	2				
48	JB2-46417-00	PIN, DIFFERENTIAL	1				
49	90105-10348	BOLT, FLANGE	4				
50	99530-14016	PIN, DOWEL	2				
51	91609-40040	PIN, SPRING	1				
52	93102-20281	OIL SEAL (SD 20-35-5)	1				
53	JB2-86281-00	SENSOR, SPEED	1				
54	91312-06012	BOLT, HEXAGON SOCKET HEAD	1				

FIG. 22 TRANSMISSION 1



REF. NO.	PART NO.	DESCRIPTION	JB64				REMARKS
55	90110-06091	BOLT, HEXAGON SOCKET HEAD	1				
56	90462-08007	CLAMP	1				
57	90462-06007	CLAMP	1				
58	JN3-47559-00	CAP 2	1				
59	95812-08075	BOLT, FLANGE	1				
60	90179-08491	NUT	1				

FIG. 23 TRANSMISSION 2

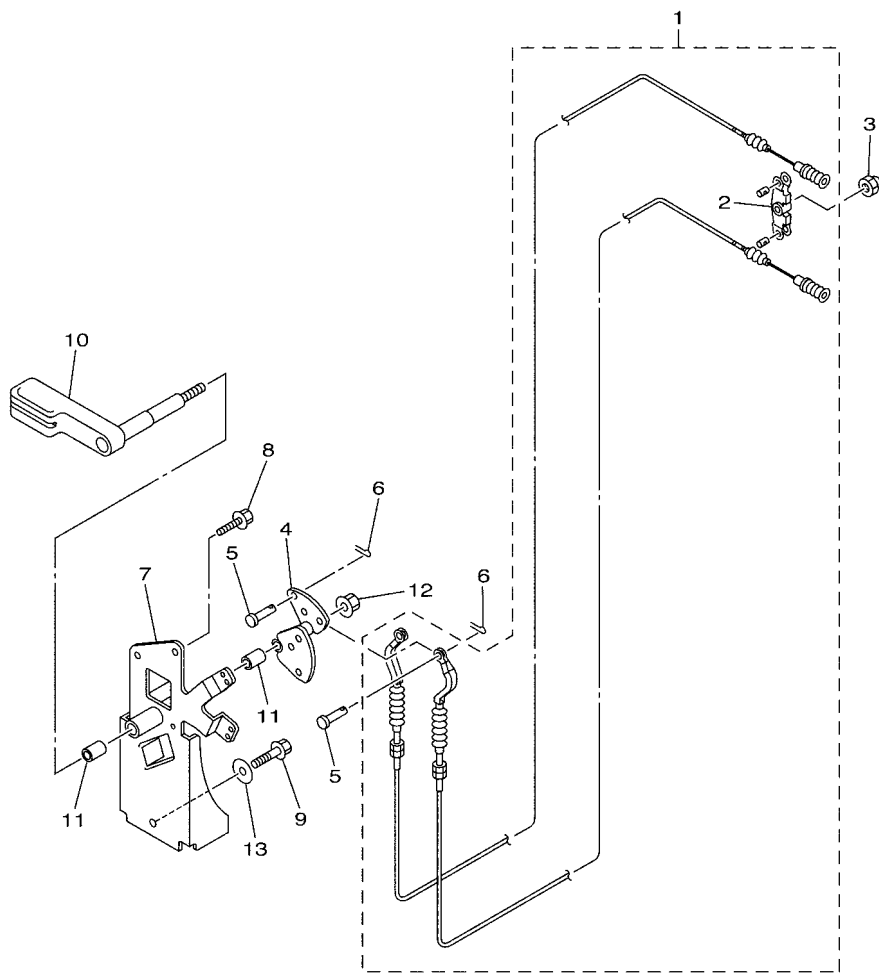


REF. NO.	PART NO.	DESCRIPTION	JB64				REMARKS
1	JX2-86290-01	ELECTRO MAGNETIC BRAKE ASSY	1				
2	92907-10600	WASHER, PLATE	1				
3	95602-10100	NUT, U	1				
4	JX2-8234W-01	COVER, CAP	1				
5	JX2-4633H-00	PLATE 2	1				
6	90110-05032	BOLT, HEXAGON SOCKET HEAD	3				
7	91317-08045	BOLT, HEX. SOCKET HEAD	3				
8	95D02-06010	BOLT, FLANGE DEEP RECESS	2				
9	90105-06452	BOLT, FLANGE	1				
10	JX2-83688-00	SENSOR ASSY	1				
11	JT4-48214-00	PAD	1				



JY66010-K240

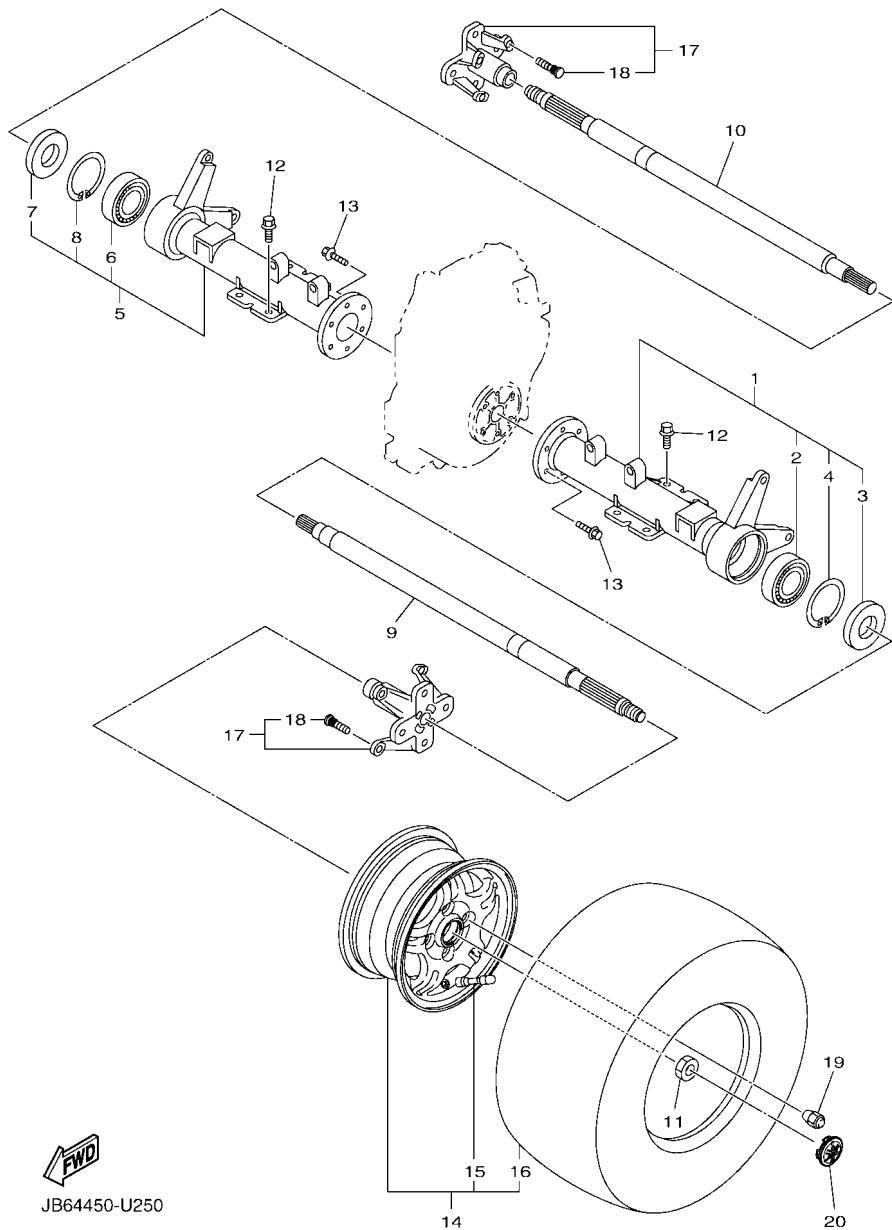
FIG. 24 SHIFTER & CABLES



REF. NO.	PART NO.	DESCRIPTION	JB64	REMARKS
1	JX4-48330-02	CABLE END ASSY	1	
2	J38-46383-00	.LEVER, SHIFT 2	1	
3	95602-08100	NUT, U	1	
4	JR7-46382-00	LEVER, SHIFT 1	1	
5	91702-06014	PIN, CLEVIS	2	
6	91402-20012	PIN, COTTER	2	
7	JX4-46372-01	BRACKET, SHIFT WIRE	1	
8	95812-06016	BOLT, FLANGE	2	
9	95022-08016	BOLT, FLANGE	1	
10	JR7-46381-00	KNOB, SHIFT	1	
11	90383-12002	BUSH, FORMED	2	
12	95602-08200	NUT, U FLANGE	1	
13	90201-08326	WASHER, PLATE	1	



JY2A010-M270

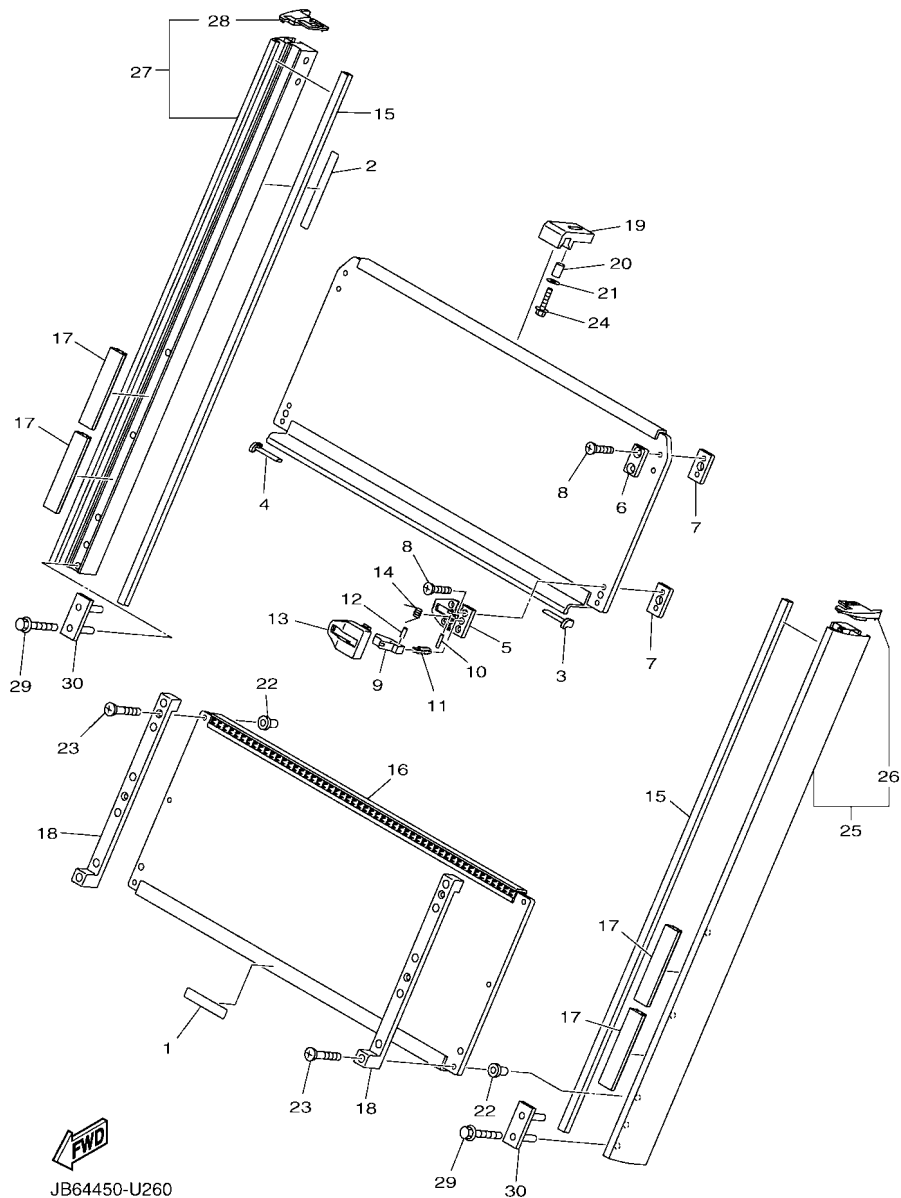


JB64450-U250

FIG. 25 REAR AXLE & WHEEL

REF. NO.	PART NO.	DESCRIPTION	JB64	REMARKS
1	JX2-46540-00	REAR AXLE HOUSING COMP.	1	
2	93306-30578	.BEARING	1	
3	93102-35109	.OIL SEAL (SD-35-62-6 HS)	1	
4	99009-62500	.CIRCLIP	1	
5	JX2-46550-00	REAR AXLE HOUSING COMP. 2	1	
6	93306-30578	.BEARING	1	
7	93102-35109	.OIL SEAL (SD-35-62-6 HS)	1	
8	99009-62500	.CIRCLIP	1	
9	JY2-46511-00	SHAFT, REAR AXLE 1 (L.H)	1	
10	JY2-46512-00	SHAFT, REAR AXLE 2 (R.H)	1	
11	90179-20016	NUT	2	
12	90101-10038	BOLT	8	
13	95812-10030	BOLT, FLANGE	12	
14	JB2-25100-00	WHEEL ASSY (190/50-12-4PR)	2	
15	93900-00022	.VALVE, RIM (TR413)	1	TAIHEIYO
16	JB2-2510S-00	.TIRE (190/50-12-4PR KENDA)	1	
17	JB2-25310-00	HUB ASSY	2	
18	90114-10019	.BOLT, SERRATION	4	
19	90179-10031	NUT	8	
20	JY8-2512A-01	CAP, WHEEL	2	

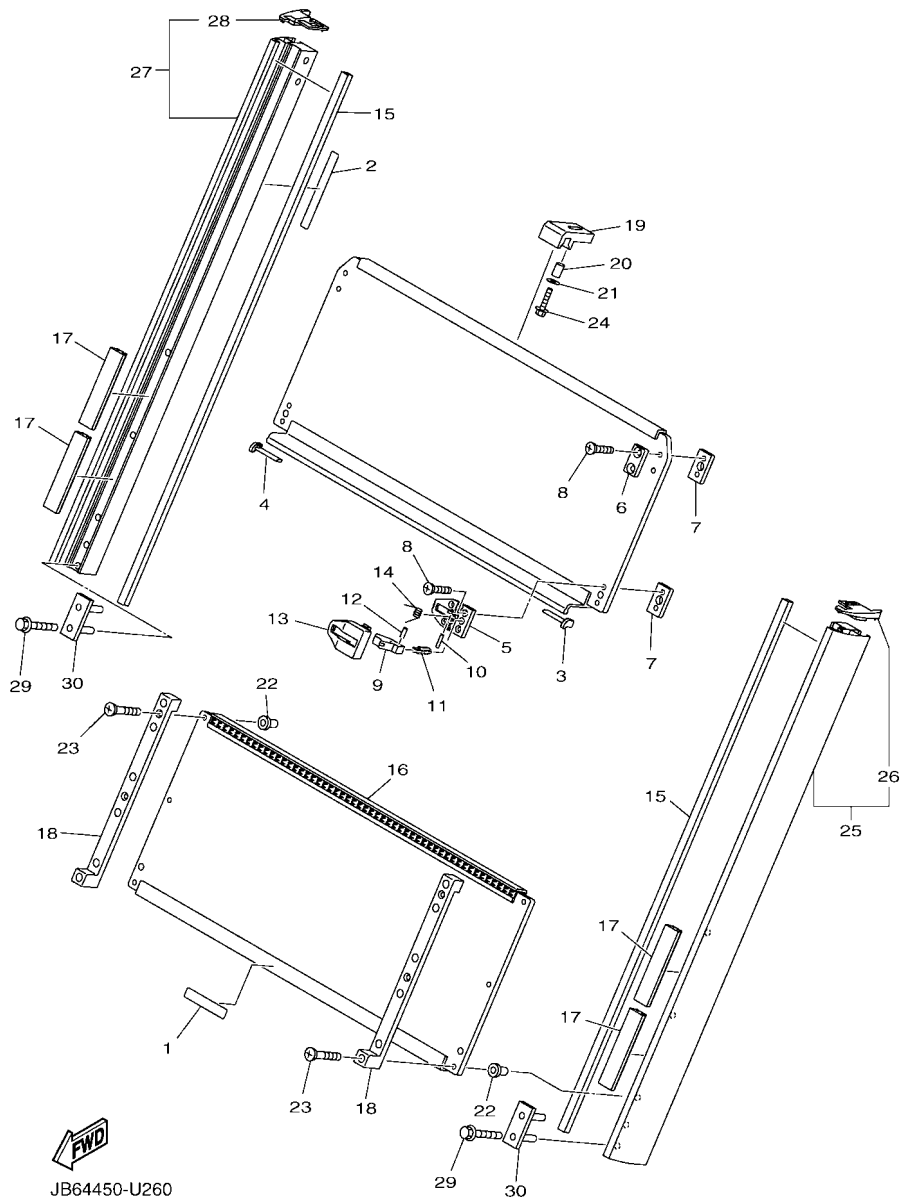
FIG. 26 WINDSHIELD



JB64450-U260

REF. NO.	PART NO.	DESCRIPTION	JB64				REMARKS
1	JY4-77768-10	LABEL, WARNING 8	1				
2	JY2-7829A-20	PLATE, CAUTION	1				
3	JB2-77213-00	TRIM, UPPER	1				
4	JB2-77214-00	TRIM, LOWER	1				
5	JB2-77261-00	LINING, SHROUD 1	2				
6	JB2-77262-00	LINING, SHROUD 2	2				
7	JX4-77217-00	NUT, WIND SHIELD	4				
8	98780-06014	SCREW, FLAT HEAD	8				
9	JY3-77223-00	FASTNER	2				
10	91690-20020	PIN, SPRING	2				
11	JY2-77212-10	BOLT, WIND SHIELD	2				
12	91690-30012	PIN, SPRING	2				
13	JY3-77263-01	LINING, SHROUD 3	2				
14	JY3-77174-00	SPRING 1	2				
15	JB2-77233-01	TRIM, 7	2				
16	JB2-77202-02	LOWER WINDSHIELD ASSY	1				
17	JB2-77283-00	STRIPE 3	4				
18	JB2-77271-00	DAMPER, NOISE 11	2				
19	JB2-77275-00	DAMPER, NOISE 15	1				
20	90387-06553	COLLAR	1				
21	90201-06020	WASHER, PLATE	1				
22	90179-06020	NUT	6				
23	98780-06035	SCREW, FLAT HEAD	6				
24	95880-06025	BOLT, FLANGE	1				
25	JB2-7830A-00	ROOF SUPPORT ASSY 1	1				
26	JB2-7813F-00	.COVER, SIDE PILLAR (L.H)	1				
27	JB2-7830B-00	ROOF SUPPORT ASSY 2	1				

FIG. 26 WINDSHIELD



REF. NO.	PART NO.	DESCRIPTION	JB64				REMARKS
28	JB2-7813G-00	.COVER, SIDE PILLAR (R.H)	1				
29	95812-08055	BOLT, FLANGE	4				
30	JX4-7831L-00	REINFORCEMENT, ROOF SUPPORT 1	2				

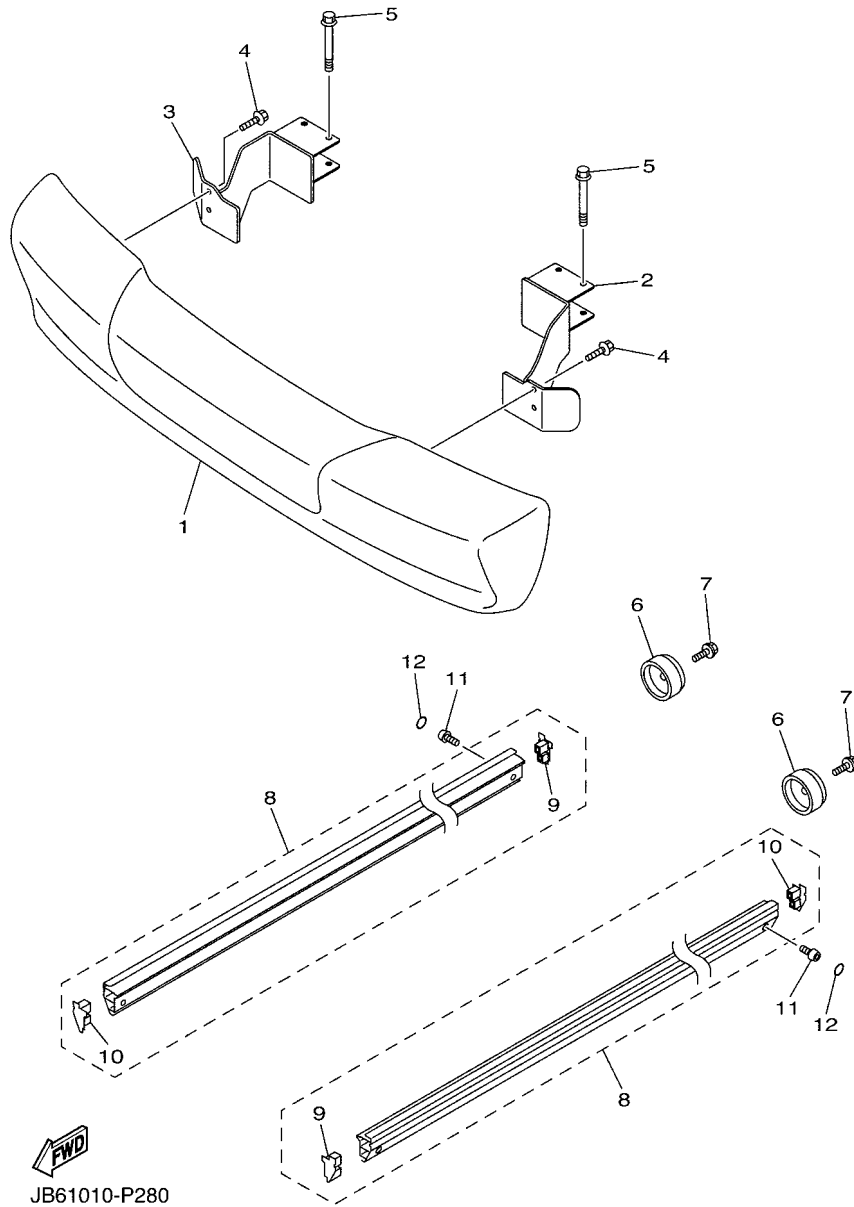


FIG. 27 BUMPER

REF. NO.	PART NO.	DESCRIPTION	JB64	REMARKS
1	JB2-77510-00	FRONT BUMPER COMP.	1	
2	JX4-78164-00	STAY, FRONT BUMPER (L.H)	1	
3	JX4-78165-00	STAY, FRONT BUMPER (R.H)	1	
4	95D32-06012	BOLT, FLANGE DEEP RECESS	4	
5	95827-08065	BOLT, FLANGE	4	
6	JX4-77520-00	BUMPER COMP 1	2	
7	95022-08025	BOLT, FLANGE	2	
8	JB2-78180-00	SIDE SILL PLATE ASSY	2	
9	JX4-7818E-00	.CAP, PROTECTOR END 1	1	
10	JX4-7818F-00	.CAP, PROTECTOR END 2	1	
11	90111-08027	BOLT,HEX. SOCKET BUTTON	4	
12	JF7-77563-00	COVER, 3	4	

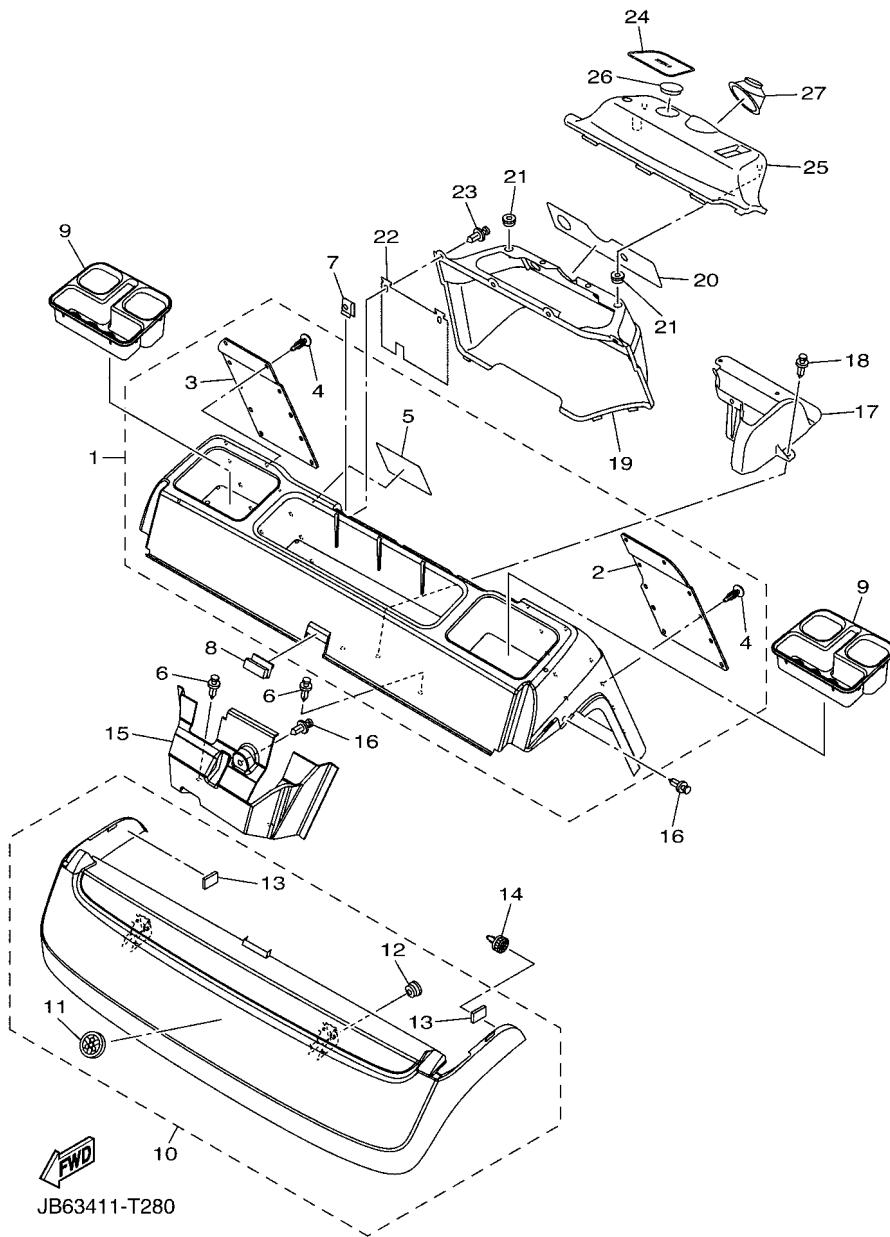
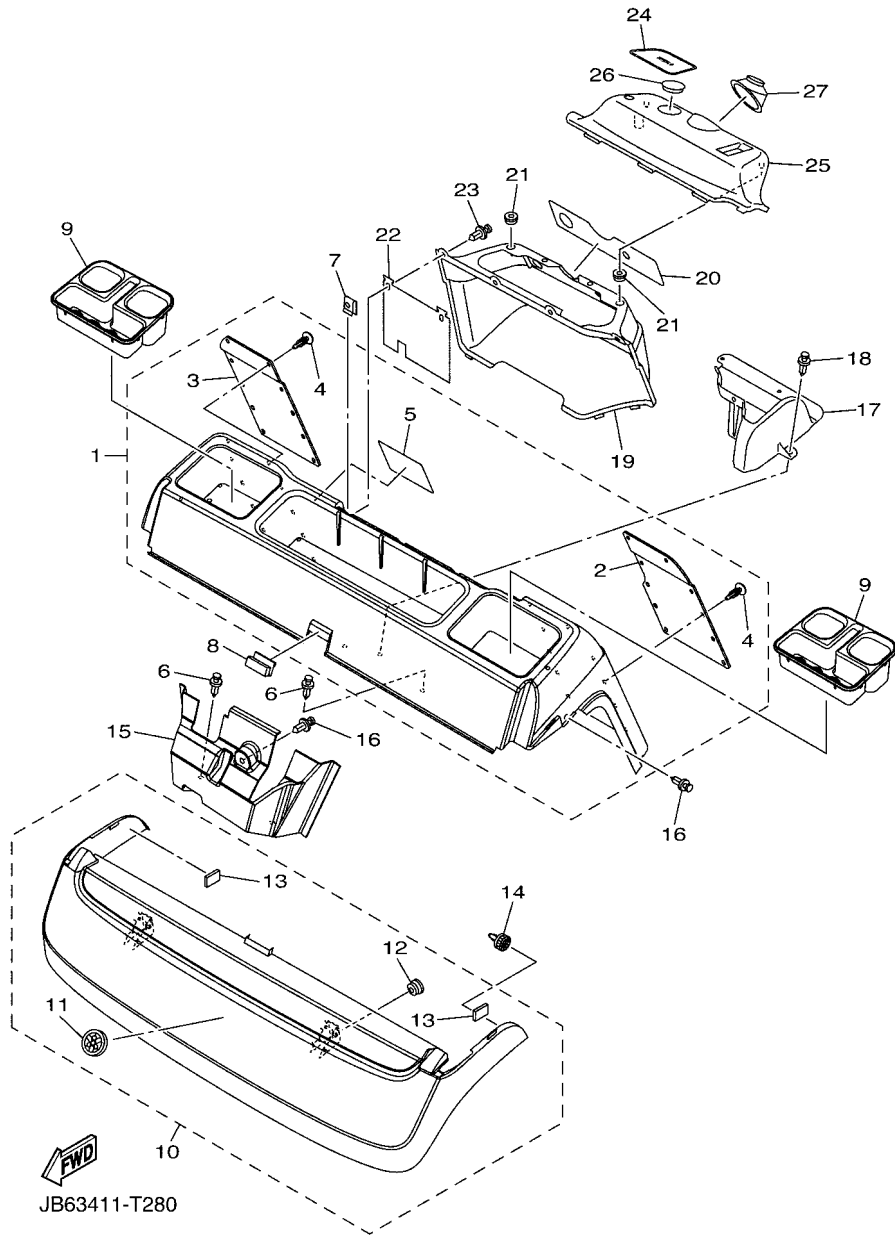


FIG. 28 BODY

REF. NO.	PART NO.	DESCRIPTION	JB64	REMARKS
1	JB2-78100-30	BODY SHELL PANEL ASSY	1	
2	JB2-78243-00	.MAT, REAR BODY SIDE (LH)	1	
3	JB2-78244-00	.MAT, REAR BODY SIDE (RH)	1	
4	90269-07064	.RIVET	20	
5	JB2-78298-20	.PLATE, CAUTION 2	1	
6	90269-10005	RIVET	4	
7	JX4-7814H-00	HOOK, BODY LOCK	4	
8	JY2-78328-20	SPACER 1	1	
9	JX4-7835E-00	HOLDER, BEVERAGE	2	
10	JX4-78101-00	BODY SHELL PANEL SUB-ASSY 1	1	UR FOR RW
	JX4-78101-60	BODY SHELL PANEL SUB-ASSY 1	1	UR FOR DNGM3
	JX4-78101-20	BODY SHELL PANEL SUB-ASSY 1	1	UR FOR DRMD
	JX4-78101-30	BODY SHELL PANEL SUB-ASSY 1	1	UR FOR DPBMC
	JX4-78101-10	BODY SHELL PANEL SUB-ASSY 1	1	UR FOR VDGS1
11	8AC-2414B-01	.EMBLEM	1	
12	90480-13398	.GROMMET	2	
13	JX4-77188-00	.STOPPER	2	
14	JX4-77157-00	PIN, HINGE	2	
15	JY2-78113-00	PANEL, SIDE	1	
16	90269-10005	RIVET	3	
17	JB2-27411-00	FOOTREST 1	1	
18	90269-10005	RIVET	2	
19	JB2-77711-00	PANEL, INSTRUMENT	1	
20	JB6-77741-10	INDICATOR 1	1	
21	90480-13567	GROMMET	2	
22	JX2-78181-00	PLATE 1	1	
23	90269-10005	RIVET	4	

FIG. 28 BODY



JB63411-T280

REF. NO.	PART NO.	DESCRIPTION	JB64			REMARKS
24	JB6-77742-00	INDICATOR 2	1			
25	JB2-78139-00	CAP, END	1			
26	JB6-7811V-00	PROTECTOR 1	1			
27	JX4-78273-00	COVER, HOLE	1			

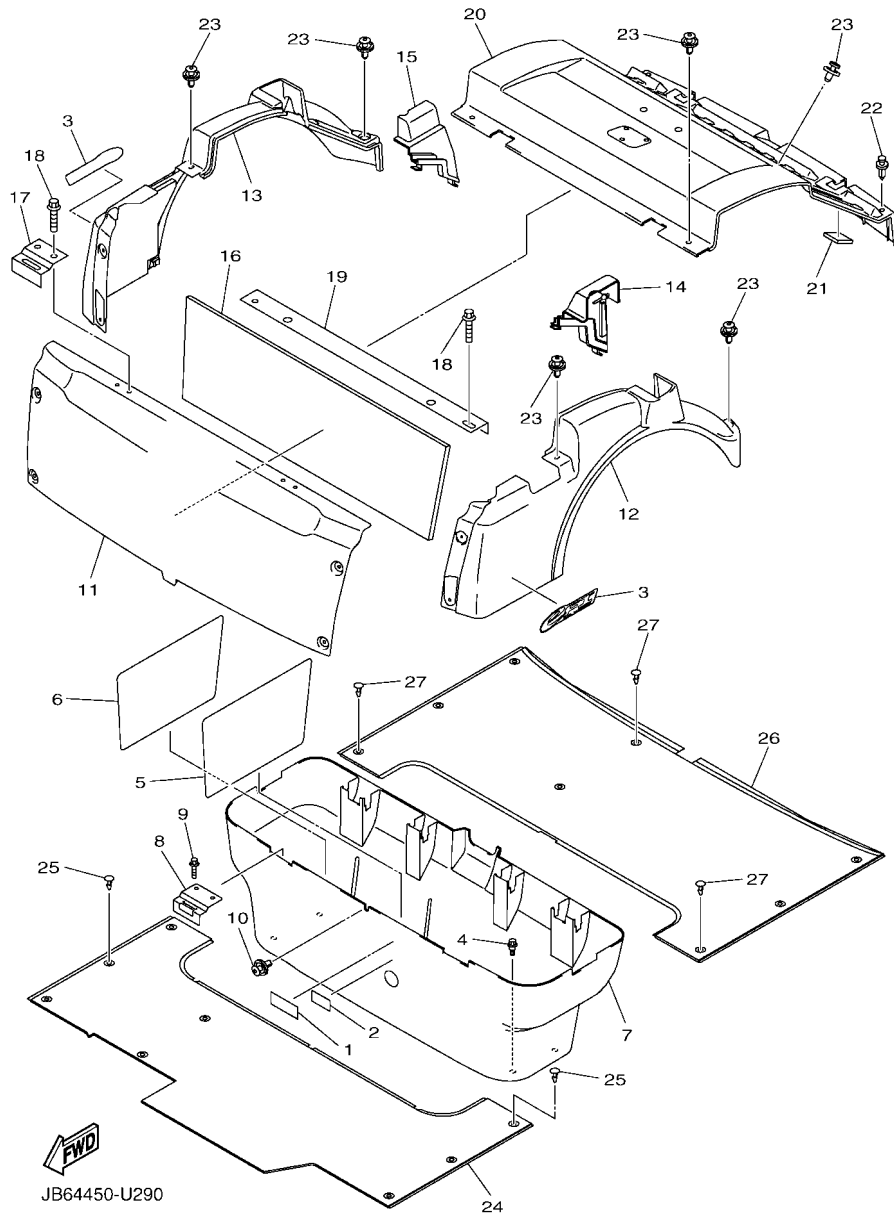


FIG. 29 BODY 2

REF. NO.	PART NO.	DESCRIPTION	JB64	REMARKS
1	JN5-77741-11	INDICATOR 1	1	
2	JB3-77766-50	LABEL, WARNING 6	1	
3	JB2-781B1-00	GRAPHIC 1	2	
4	90109-06212	BOLT	4	
5	JY2-78117-00	PLATE 1	1	
6	JY2-78118-00	PLATE 2	1	
7	JB2-78141-00	PANEL, INTERMEDIATE BODY	1	
8	JY2-78427-00	HINGE, SEAT 2	2	
9	95D02-06030	BOLT, FLANGE DEEP RECESS	4	
10	90269-07010	RIVET	1	
11	JY2-78142-00	PANEL, REAR BODY	1	
12	JB2-78130-00	SHELL SIDE PANEL ASSY 1	1	UR FOR RW
	JB2-78130-60	SHELL SIDE PANEL ASSY 1	1	UR FOR DNGM3
	JB2-78130-20	SHELL SIDE PANEL ASSY 1	1	UR FOR DRMD
	JB2-78130-30	SHELL SIDE PANEL ASSY 1	1	UR FOR DPBMC
13	JB2-78140-00	SHELL SIDE PANEL ASSY 2	1	UR FOR RW
	JB2-78140-60	SHELL SIDE PANEL ASSY 2	1	UR FOR DNGM3
	JB2-78140-20	SHELL SIDE PANEL ASSY 2	1	UR FOR DRMD
	JB2-78140-30	SHELL SIDE PANEL ASSY 2	1	UR FOR DPBMC
	JB2-78140-10	SHELL SIDE PANEL ASSY 2	1	UR FOR VDGS1
14	JX4-7832H-00	GROMMET, ROOF SUPPORT 3	1	
15	JX4-7833H-00	GROMMET, ROOF SUPPORT 4	1	
16	JY2-78251-00	PAD, SILENCER 1	1	
17	JX4-78427-00	HINGE, SEAT 2	2	
18	95802-06040	BOLT, FLANGE	6	
19	JB2-2254R-00	SUPPORT, BODY MOUNTING	1	

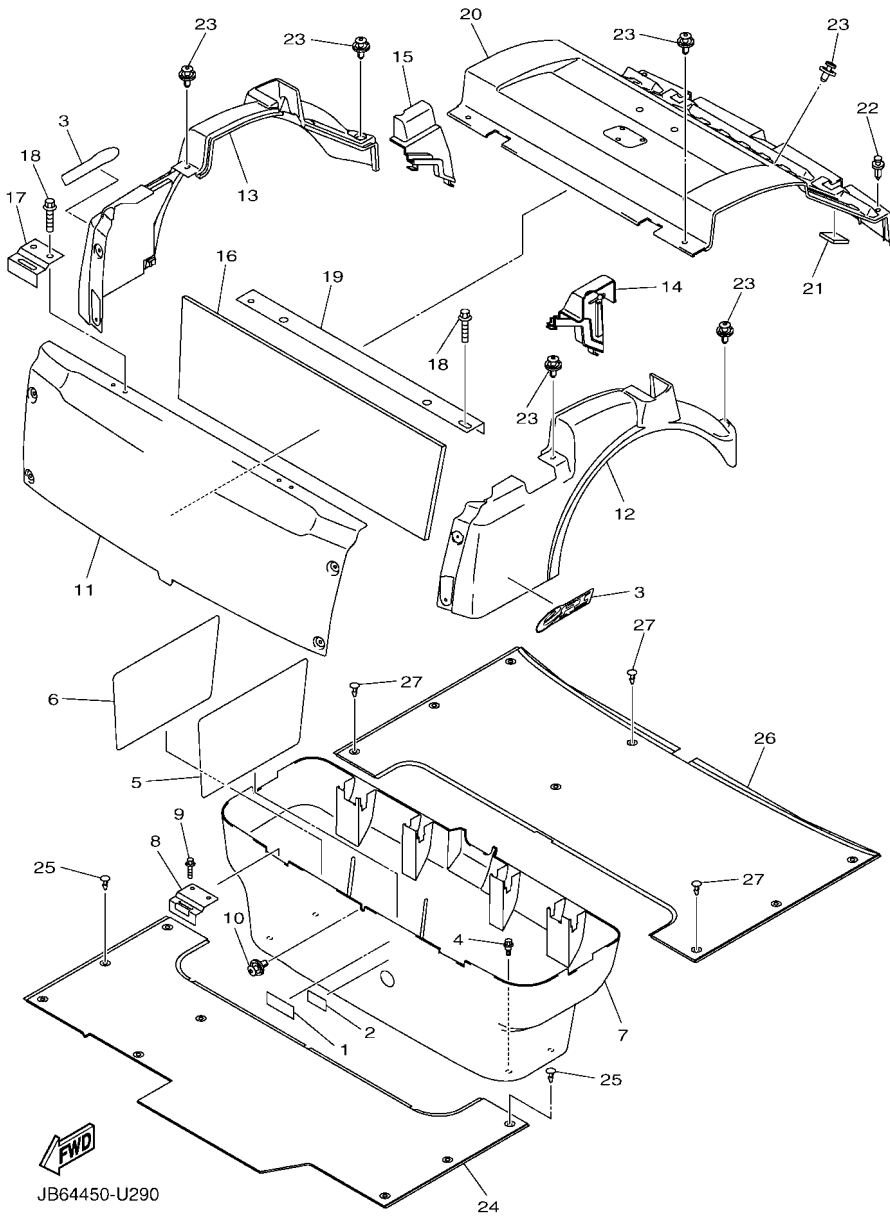
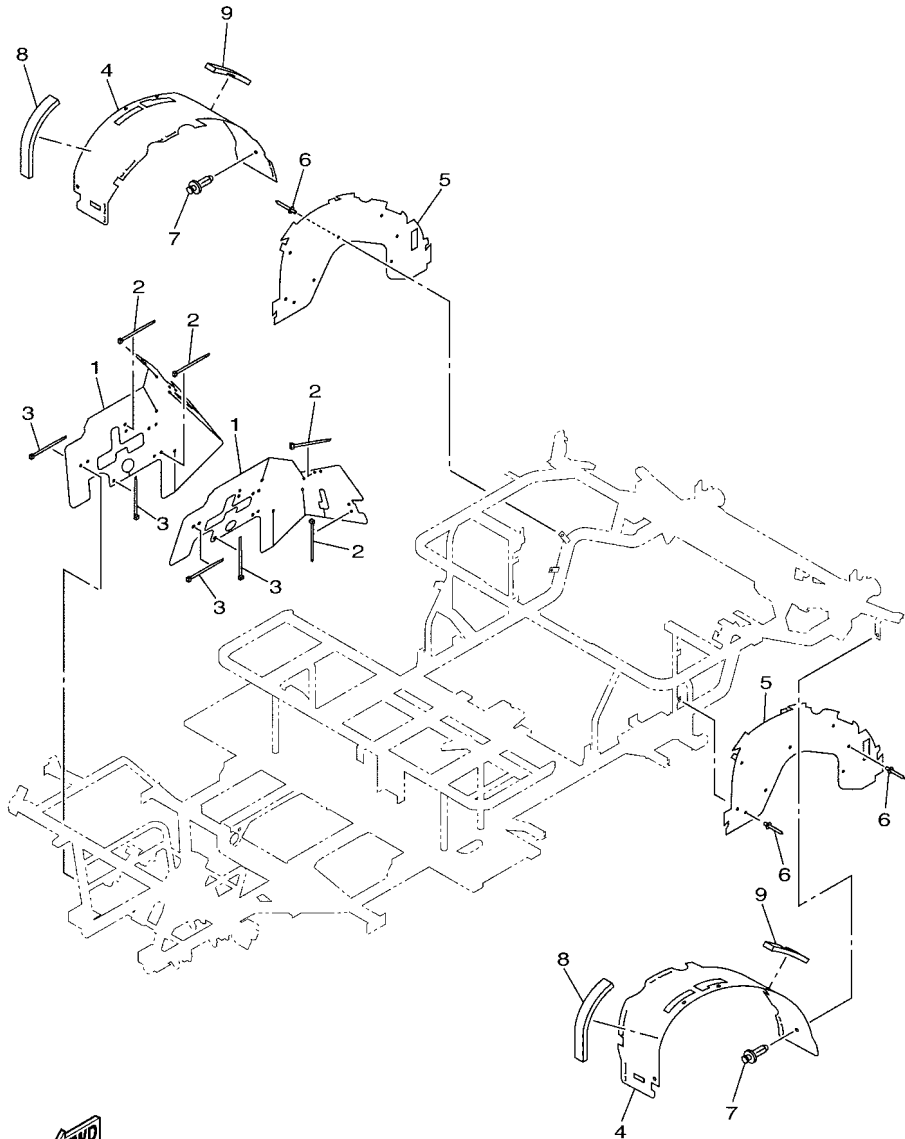


FIG. 29 BODY 2

REF. NO.	PART NO.	DESCRIPTION	JB64	REMARKS
20	JB2-78150-00	INSPECTION LID ASSY	1	
21	JX4-7814E-00	SEAL, BODY SIDE 1	4	
22	90269-10005	RIVET	2	
23	90269-07010	RIVET	16	
24	JB2-78231-00	MAT, MAIN FLOOR 1	1	
25	90269-07064	RIVET	9	
26	JB2-78241-00	MAT, REAR FLOOR	1	
27	90269-07064	RIVET	8	

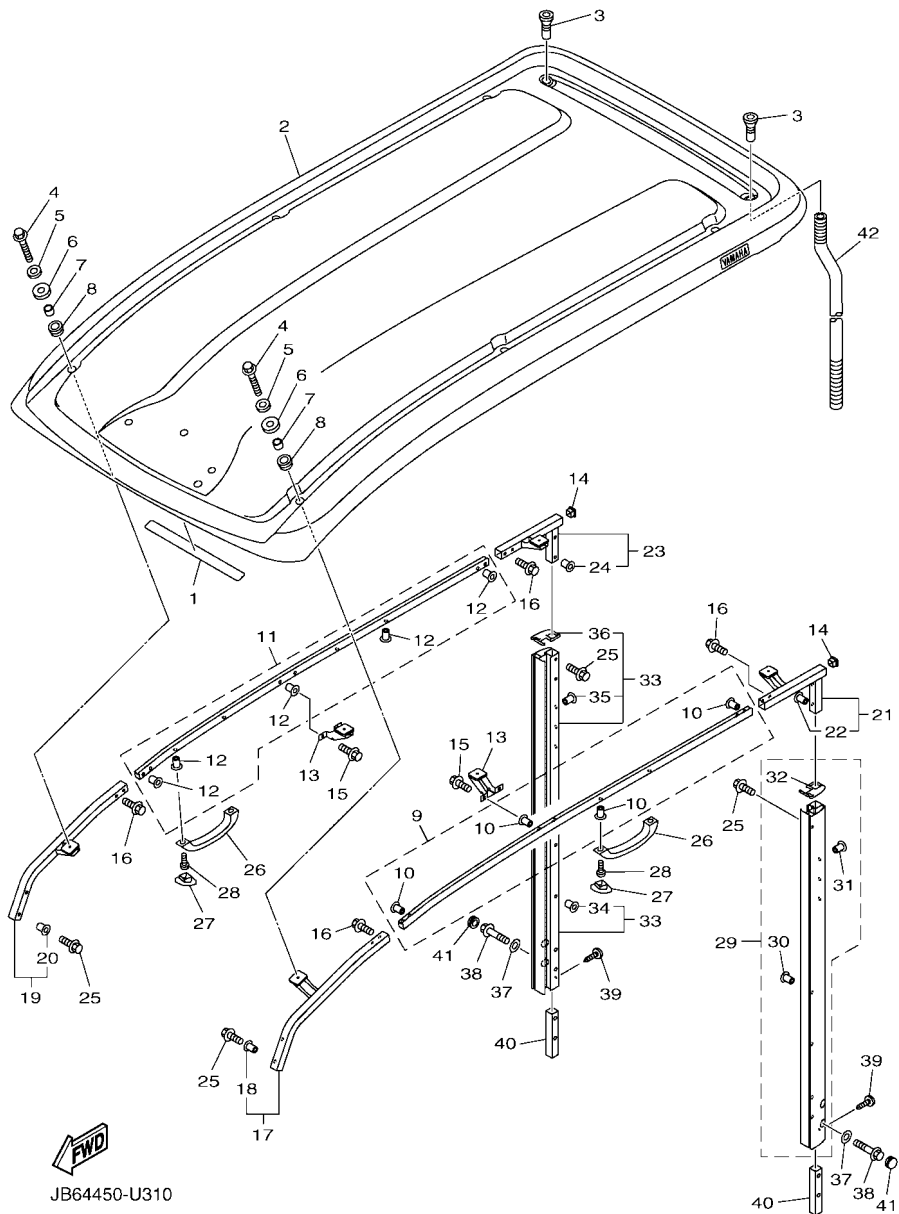


JB21010-P330

FIG. 30 BODY FITTING

REF. NO.	PART NO.	DESCRIPTION	JB64				REMARKS
1	JB2-78187-00	FLAP, FRONT FENDER	2				
2	90465-13152	CLAMP	8				
3	90465-13275	CLAMP	4				
4	JB2-78191-00	PANEL, REAR FENDER 1	2				
5	JB2-78192-00	PANEL, REAR FENDER 2	2				
6	90267-48101	RIVET, BLIND	18				
7	90269-10005	RIVET	4				
8	JX4-7825K-00	PAD, SILENCER 16	2				
9	90520-15007	DAMPER, PLATE	2				

FIG. 31 SUN ROOF



JB64450-U310

REF. NO.	PART NO.	DESCRIPTION	JB64	REMARKS
1	JB5-78299-00	PLATE, CAUTION	1	
2	JB3-78314-01	COVER, SUN ROOF	1	
3	JX4-7832F-00	GROMMET, ROOF SUPPORT 1	2	
4	95880-06030	BOLT, FLANGE	6	
5	90201-06115	WASHER, PLATE	6	
6	90201-06116	WASHER, PLATE	6	
7	90387-15019	COLLAR	6	
8	90480-25004	GROMMET	6	
9	JB2-78392-00	MEMBER, ROOF FRAME	1	
10	90179-06636	.NUT	8	
11	JB2-78393-00	MEMBER, ROOF FRAME 2	1	
12	90179-06636	.NUT	10	
13	JB2-7833K-10	BRACKET, ROOF REAR	2	
14	JX7-7836H-00	CAP, BAG SUPPORT	2	
15	95880-06016	BOLT, FLANGE	4	
16	90105-06228	BOLT, FLANGE	8	
17	JB3-7830E-00	SUNROOF PIPE ASSY 1	1	
18	90179-06021	.NUT	2	
19	JB3-7830E-10	SUNROOF PIPE ASSY 1	1	
20	90179-06021	.NUT	2	
21	JB3-7830F-00	SUNROOF PIPE ASSY 2	1	
22	90179-06021	.NUT	2	
23	JB3-7830F-10	SUNROOF PIPE ASSY 2	1	
24	90179-06021	.NUT	2	
25	95880-06020	BOLT, FLANGE	8	
26	JF7-78214-00	GRIP, HAND	3	
27	J50-78274-10	COVER, HOLE 2	6	

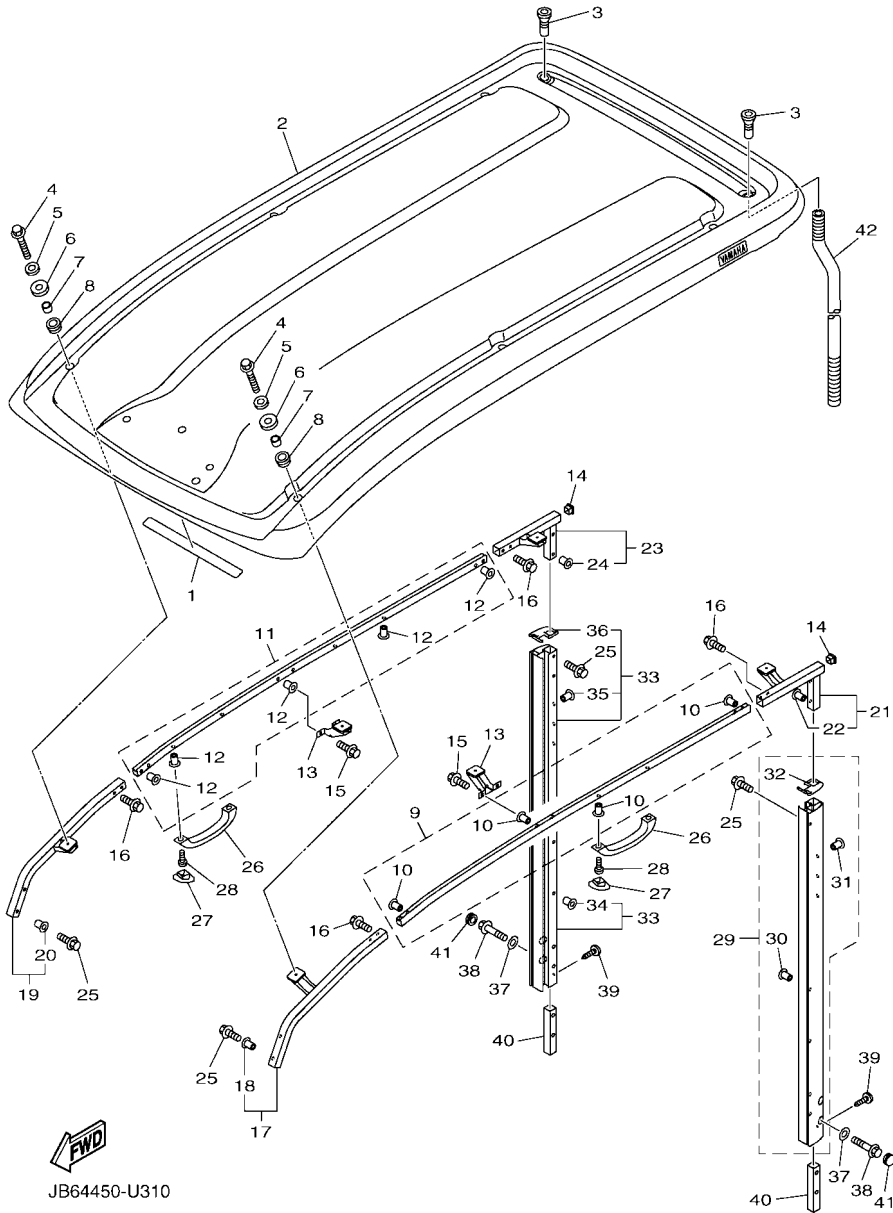
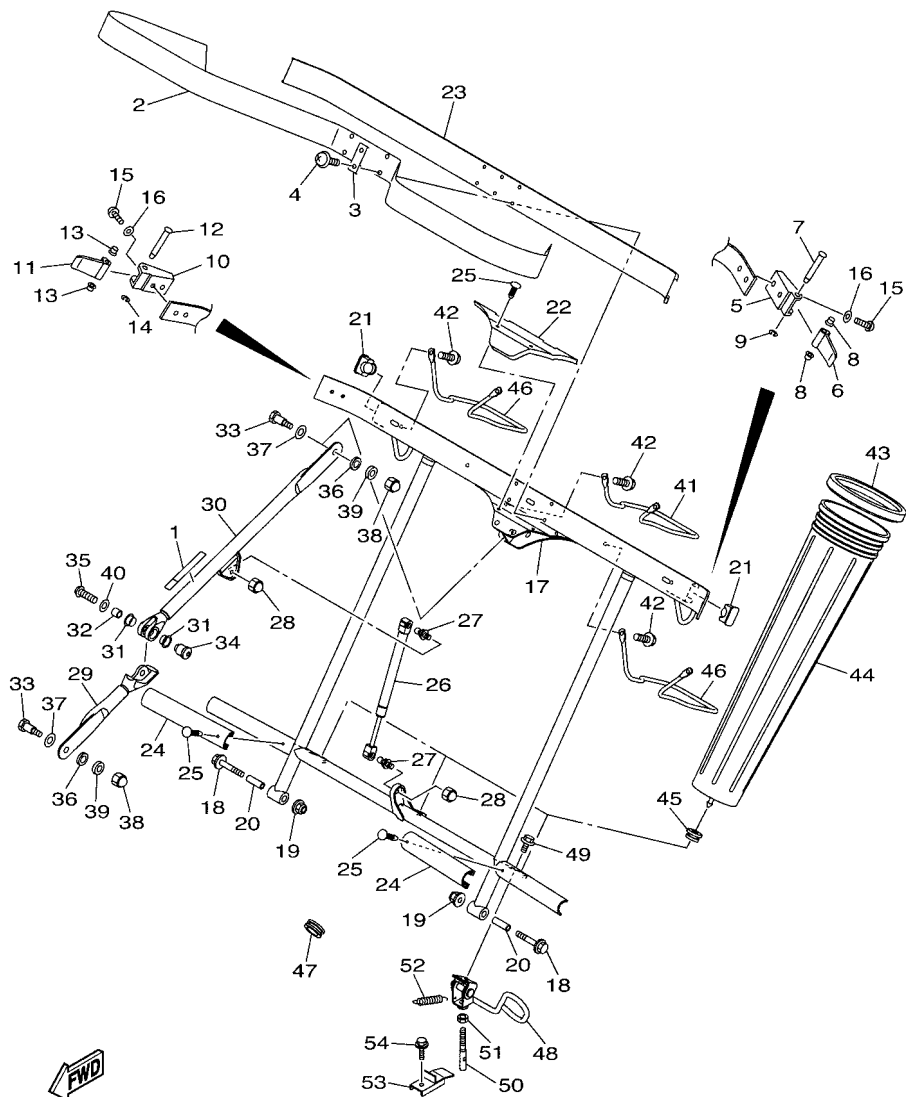


FIG. 31 SUN ROOF

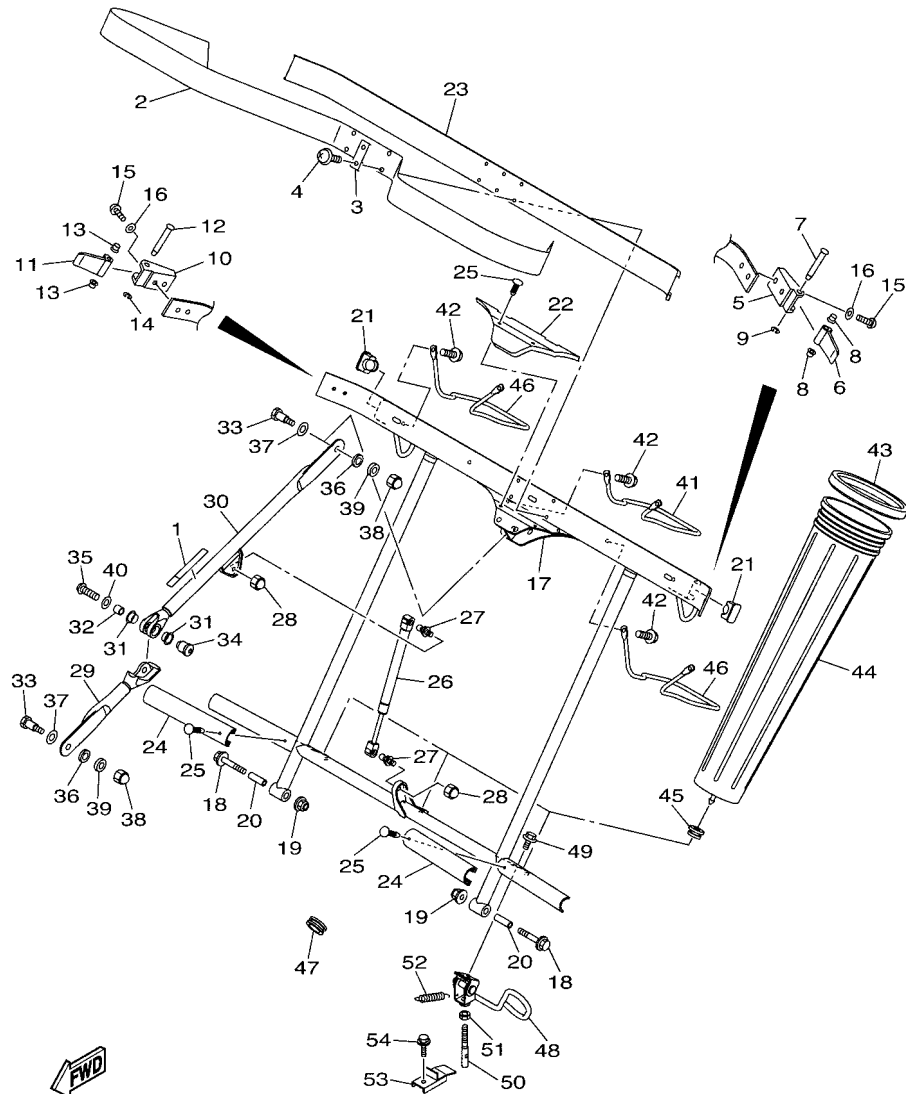
REF. NO.	PART NO.	DESCRIPTION	JB64	REMARKS
28	90157-06068	SCREW, PAN HEAD	6	
29	JB2-7830C-00	ROOF SUPPORT ASSY 3	1	
30	90179-08689	.NUT	2	
31	90179-06059	.NUT	3	
32	JB2-7817F-00	.COVER, REAR PILLER (L.H)	1	
33	JB2-7830D-00	ROOF SUPPORT ASSY 4	1	
34	90179-08689	.NUT	2	
35	90179-06059	.NUT	3	
36	JB2-7817G-00	.COVER, REAR PILLER (R.H)	1	
37	90201-08730	WASHER, PLATE	4	
38	90105-08058	BOLT, FLANGE	4	
39	90269-06003	RIVET	2	
40	JB2-7831N-10	REINFORCEMENT, ROOF SUPPORT 3	2	
41	90338-24204	PLUG	2	
42	JX4-78334-01	HOSE	2	

FIG. 32 CARRIER



JB04411-U210

REF. NO.	PART NO.	DESCRIPTION	JB64				REMARKS
1	JY2-78483-30	LABEL WARNING	1				
2	JB2-78355-00	BAND	1				
3	JF7-78367-00	PLATE, ANCHOR	2				
4	90159-06055	SCREW, WITH WASHER	4				
5	J17-78157-01	BASE, LOCK	1				
6	J17-78368-01	LEVER, LOCK	1				
7	J17-78369-00	PIN, LEVER	1				
8	90386-06108	BUSH	2				
9	99080-05600	CIRCLIP	1				
10	J17-78157-01	BASE, LOCK	1				
11	J17-78368-01	LEVER, LOCK	1				
12	J17-78369-00	PIN, LEVER	1				
13	90386-06108	BUSH	2				
14	99080-05600	CIRCLIP	1				
15	90157-06011	SCREW, PAN HEAD	4				
16	90201-06106	WASHER, PLATE	4				
17	JB2-7835J-20	SUPPORT, BAG LOWER 3	1				
18	95812-08060	BOLT, FLANGE	2				
19	95602-08200	NUT, U FLANGE	2				
20	90387-08031	COLLAR	2				
21	JX4-7836H-00	CAP, BAG SUPPORT	2				
22	JB2-78178-00	COVER, EXTENSION PLATE	1				
23	JB2-78356-00	PAD, BAG SUPPORT	1				
24	JX4-78364-00	PAD, BAG SUPPORT 3	2				
25	90269-05055	RIVET	4				
26	JY2-28415-01	DAMPER 1	1				
27	JY2-2474E-00	ARM	2				



JB04411-U210

FIG. 32 CARRIER

REF. NO.	PART NO.	DESCRIPTION	JB64				REMARKS
28	95307-08800	NUT	2				
29	JB2-78375-00	SUPPORT 1	1				
30	JB2-78376-00	SUPPORT 2	1				
31	90381-18004	BUSH, SOLID	2				
32	90387-12053	COLLAR	1				
33	90109-10473	BOLT	2				
34	JB2-78145-00	NUT, REAR BODY MOUNTING	1				
35	90111-08013	BOLT, HEX. SOCKET BUTTON	1				
36	90201-122H1	WASHER, PLATE	2				
37	90201-120T5	WASHER, PLATE	2				
38	95307-10800	NUT	2				
39	90201-102J5	WASHER, PLATE	2				
40	90201-08101	WASHER, PLATE	1				
41	JB2-78323-00	BRACKET 1	1				
42	95024-06016	BOLT, FLANGE (SMALL HEAD)	6				
43	JY2-78374-00	TRIM, UPPER	3				
44	JB2-78389-00	CASE 2	3				
45	90480-08216	GROMMET	3				
46	JB2-78323-10	BRACKET 1	2				
47	90338-15004	PLUG	1				
48	JB2-78380-00	LOCK ASSY	1				
49	95880-06012	BOLT, FLANGE	2				
50	JY2-78369-00	PIN, LEVER	1				
51	95380-08600	NUT	1				
52	90506-10001	SPRING, TENSION	1				
53	JY2-7831W-00	BRACKET, BAG SUPPORT 2	1				
54	95880-06012	BOLT, FLANGE	1				

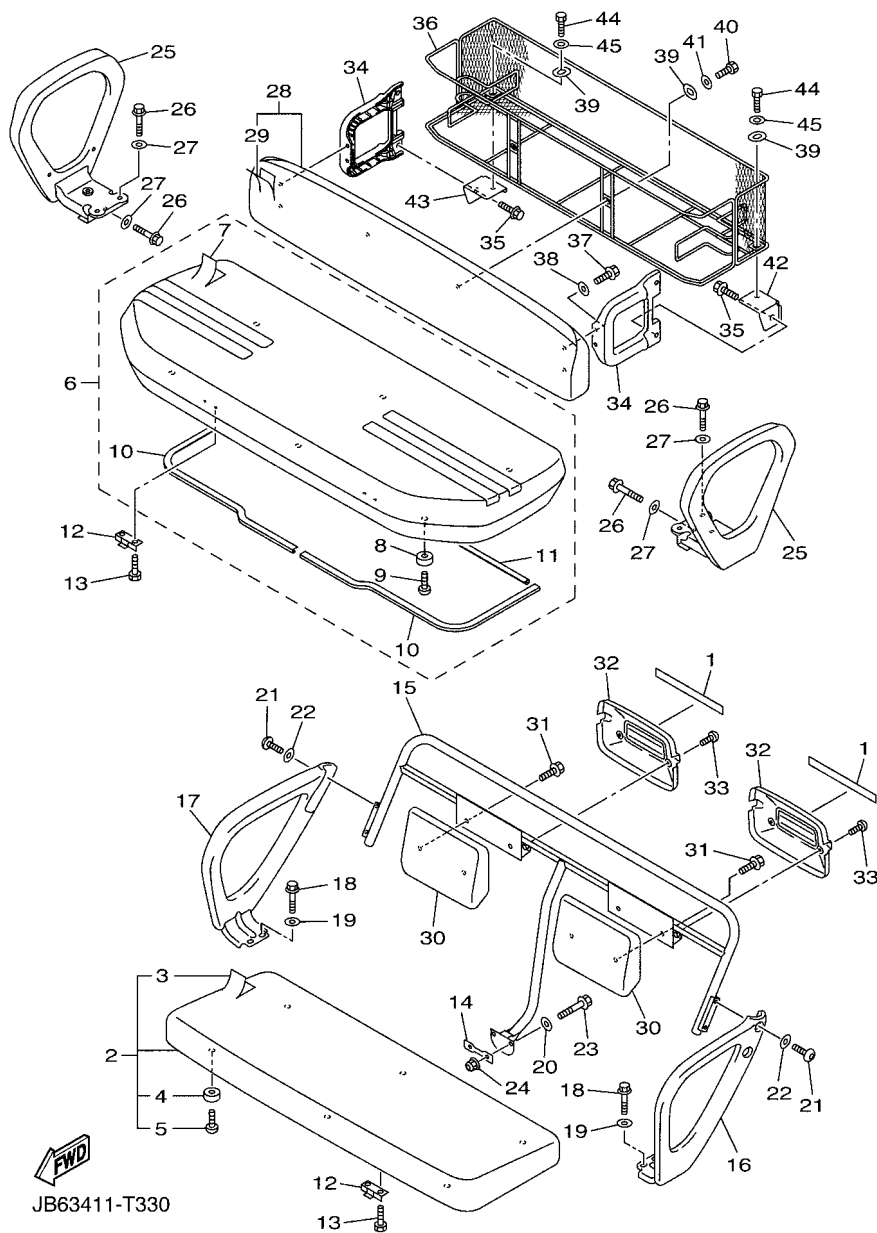
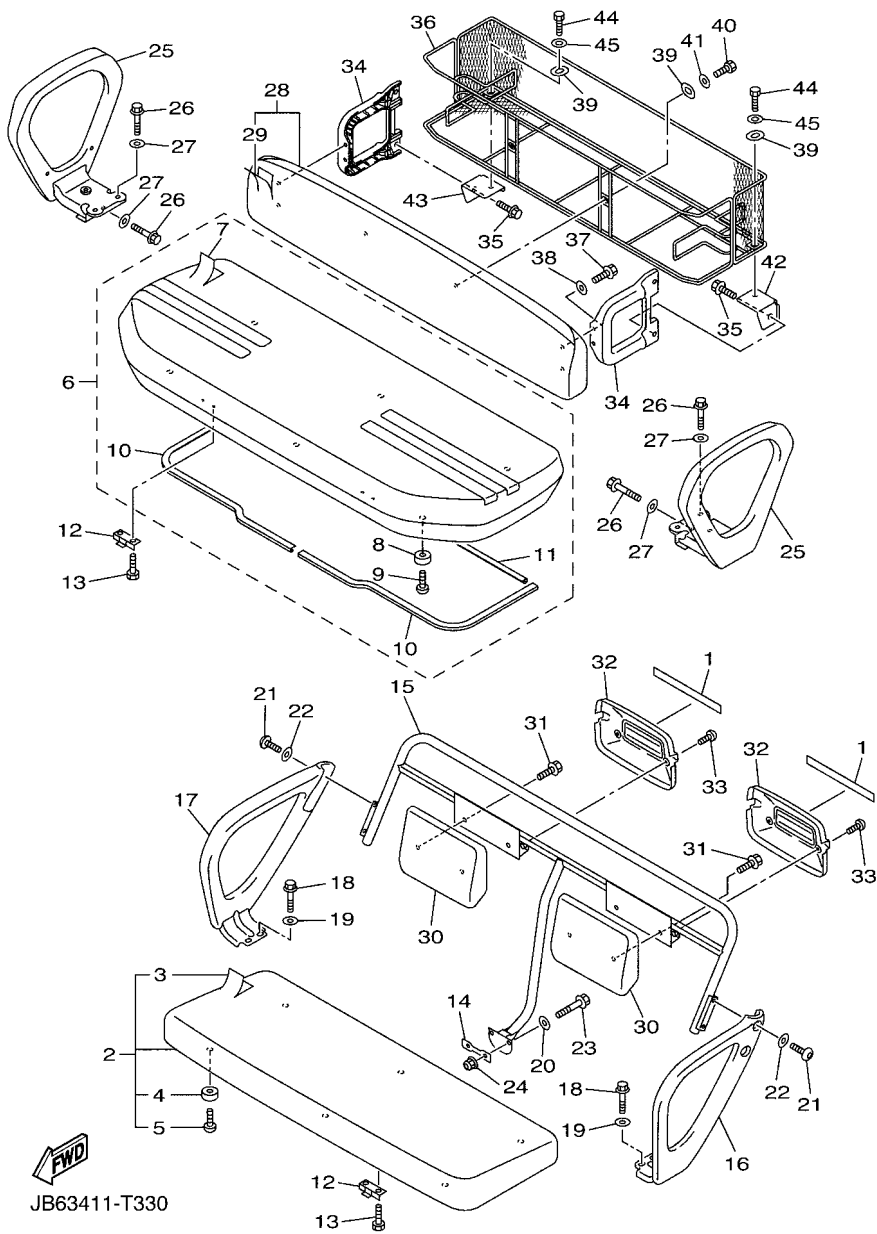


FIG. 33 SEAT

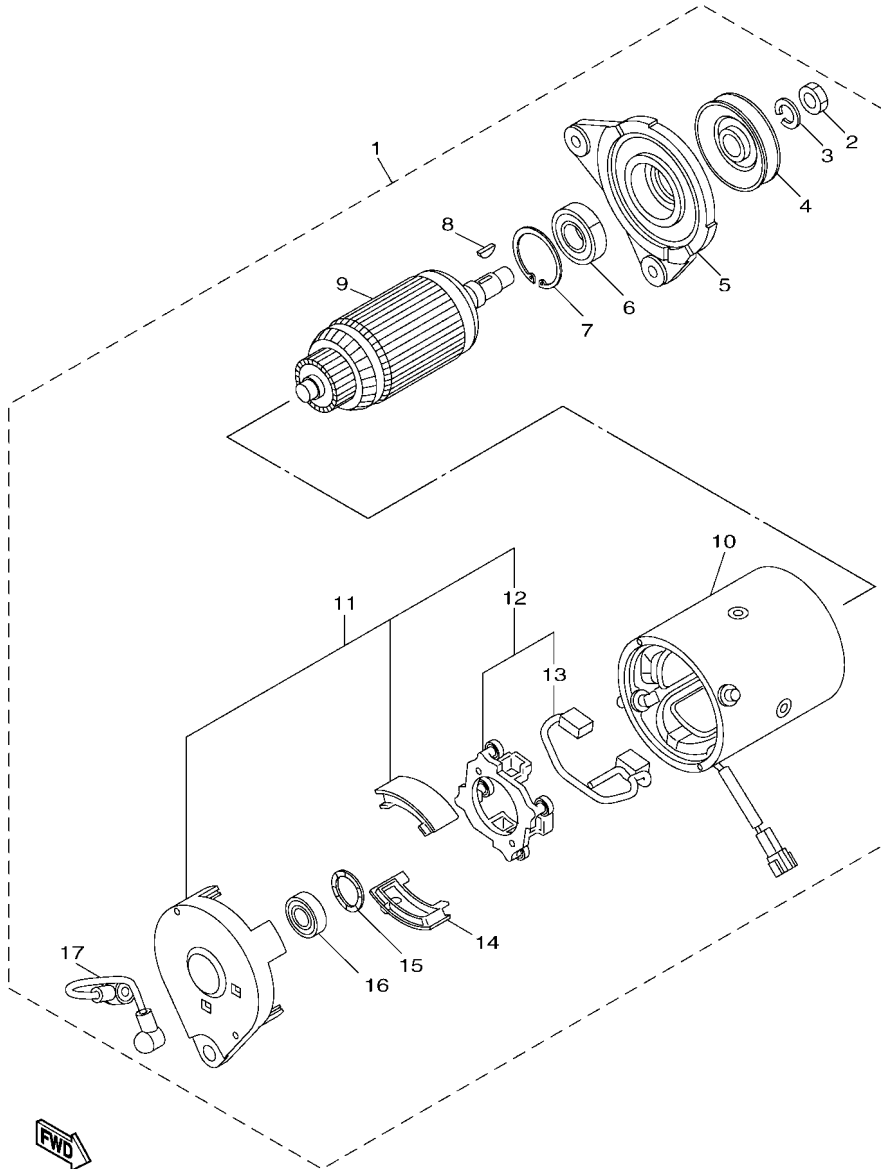
REF. NO.	PART NO.	DESCRIPTION	JB64	REMARKS
1	JX4-78297-01	PLATE, CAUTION 1	2	
2	JB8-78410-11	SEAT ASSY	1	
3	JB8-78405-01	.COVER, SEAT	1	
4	JF7-78433-00	.DAMPER, SEAT SUPPORT	6	
5	97702-50016	.SCREW, TAPPING	6	
6	JB2-78420-01	SEAT ASSY 2	1	
7	JB8-78404-01	.COVER, SEAT	1	
8	JF7-78433-00	.DAMPER, SEAT SUPPORT	6	
9	97702-50016	.SCREW, TAPPING	6	
10	JX4-78245-00	.SEAL 1	2	
11	JX4-78246-00	.SEAL 2	1	
12	JR7-78426-00	HINGE, SEAT 1	4	
13	97022-06025	BOLT, HEXAGON	8	
14	JB2-78439-00	WASHER, SEAT	1	
15	JB8-78423-00	SUPPORT, SEAT BACK	1	
16	JB8-78362-01	ARM REST 2	1	
17	JB8-7836L-01	ARM REST 3	1	
18	90105-08096	BOLT, FLANGE	4	
19	90201-08730	WASHER, PLATE	4	
20	92902-08200	WASHER	2	
21	90149-08291	SCREW	4	
22	90201-08026	WASHER, PLATE	4	
23	90105-08198	BOLT, FLANGE	2	
24	95602-08200	NUT, U FLANGE	2	
25	JB8-78361-01	ARM REST 1	2	
26	90105-08252	BOLT, FLANGE	6	
27	90201-08730	WASHER, PLATE	6	



JB63411-T330

FIG. 33 SEAT

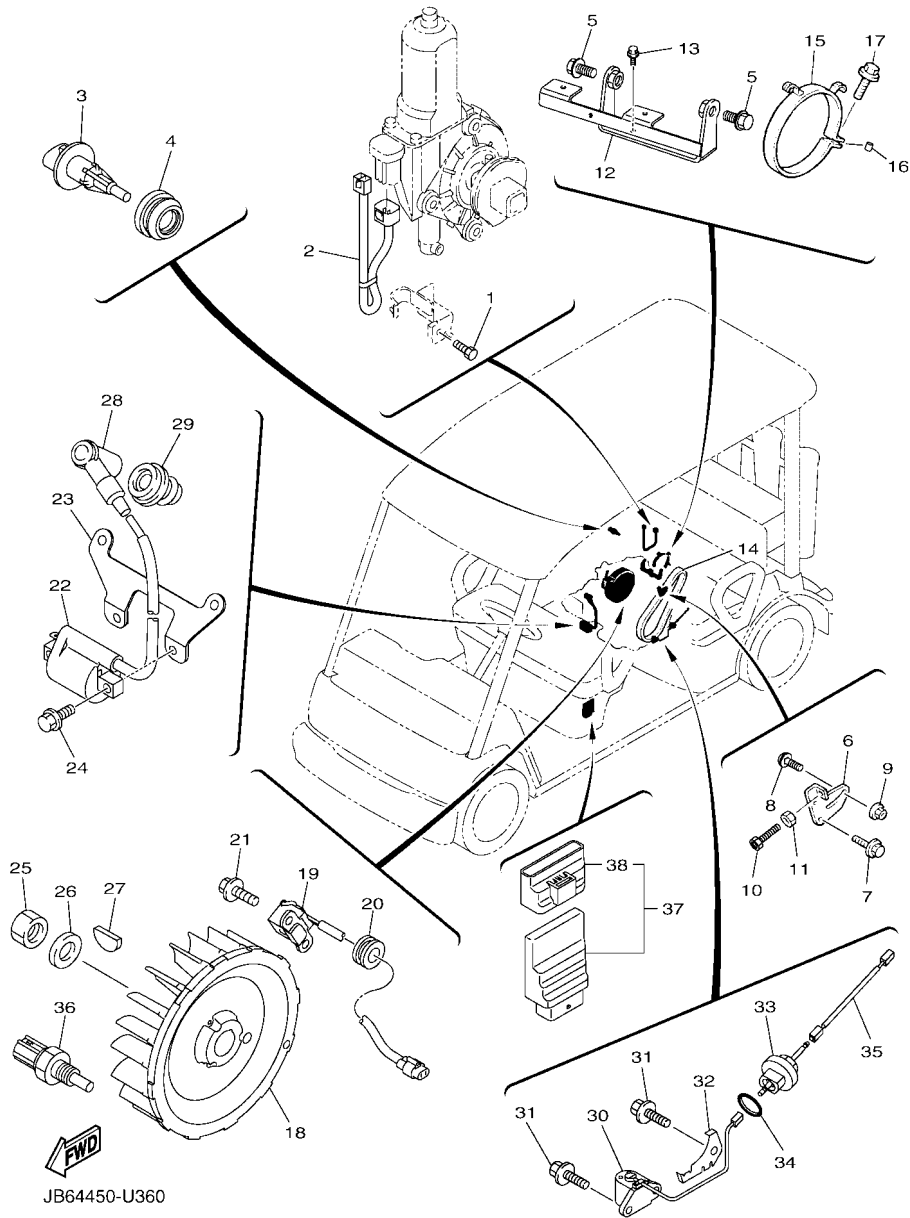
REF. NO.	PART NO.	DESCRIPTION	JB64	REMARKS
28	JB8-78407-01	REAR SEAT SUB-ASSY, BACK	1	
29	JB8-78418-01	.COVER, SEAT	1	
30	JR7-78402-02	SEAT SUB ASSY, BACK	2	
31	95D02-06016	BOLT, FLANGE DEEP RECESS	4	
32	JB6-78413-00	COVER, SEAT BACK	2	
33	98980-06012	SCREW, BIND	4	
34	JY2-78484-00	SUPPORT, SEAT 1	2	
35	95880-08025	BOLT, FLANGE	4	
36	JY2-7810M-00	REAR STORAGE BOX COMP.	1	
37	95880-06020	BOLT, FLANGE	4	
38	90201-06020	WASHER, PLATE	4	
39	JY2-78478-00	WASHER, PLATE	4	
40	97080-06020	BOLT	2	
41	90201-06049	WASHER, PLATE	2	
42	JX4-7842F-00	SUPPORT, SEAT (L.H)	1	
43	JX4-7842G-00	SUPPORT, SEAT (R.H)	1	
44	97080-06016	BOLT	2	
45	90201-06049	WASHER, PLATE	2	



J1J1400-V320

FIG. 34 STARTING MOTOR

REF. NO.	PART NO.	DESCRIPTION	JB64				REMARKS
1	JB2-81100-00	STARTER GENERATOR ASSY	1				
2	J0B-H1353-00	.NUT	1				
3	J0B-H2534-00	.WASHER, SPECIAL	1				
4	J0B-H1161-00	.PULLEY	1				
5	J0B-H1165-00	.BRACKET, STARTER GENERATOR 1	1				
6	J0B-H1158-00	.BEARING 2	1				
7	J0B-HA906-00	.CIRCLIP 1	1				
8	J0B-H1163-00	.KEY	1				
9	J0B-H1150-00	.ARMATURE ASSY	1				
10	J0B-H1160-00	.FIELD COIL ASSY	1				
11	JB2-81166-10	.BRACKET, STARTER GENERATOR 2	1				
12	JB2-81119-10	..BRUSH HOLDER ASSY	1				
13	JB2-81111-10	...BRUSH	1				
14	J0B-H1139-00	.COVER, BRUSH 2	1				
15	J0B-H1554-00	.WASHER	1				
16	J0B-H1157-00	.BEARING 1	1				
17	J0B-H1115-00	.WIRE, LEAD	1				



JB64450-U360

FIG. 36 ELECTRICAL 1

REF. NO.	PART NO.	DESCRIPTION	JB64	REMARKS
1	97002-05010	BOLT	1	
2	JB2-82318-00	WIRE, SUB-LEAD	1	
3	5CA-85886-00	SENSOR, AIR TEMPRATURE	1	
4	5CA-14435-00	GROMMET	1	
5	95822-12025	BOLT, FLANGE	2	
6	JN2-81170-00	TENSIONER ASSY	1	
7	95D32-08020	BOLT, FLANGE DEEP RECESS	2	
8	90109-083G2	BOLT	1	
9	95702-08500	NUT, FLANGE	1	
10	90101-06053	BOLT	1	
11	95302-06600	NUT, HEXAGON	1	
12	JB2-81171-00	BRACKET, STARTER GENERATOR	1	
13	95D32-08020	BOLT, FLANGE DEEP RECESS	2	
14	JN7-81173-00	BELT, STARTER	1	
15	JN7-81128-00	CLAMP	1	
16	90387-065L7	COLLAR	1	
17	95D32-06020	BOLT, FLANGE DEEP RECESS	1	
18	JC0-85650-10	ROTOR ASSY	1	
19	JB2-81670-00	PICK-UP ASSY	1	
20	90480-20564	GROMMET	1	
21	95822-06016	BOLT, FLANGE	2	
22	1S4-82310-02	IGNITION COIL ASSY	1	
23	JC0-82316-00	BRACKET, IGNITION COIL	1	
24	95822-06016	BOLT, FLANGE	2	
25	95302-18600	NUT, HEXAGON	1	
26	90201-18620	WASHER, PLATE	1	
27	90280-04052	KEY, WOODRUFF	1	

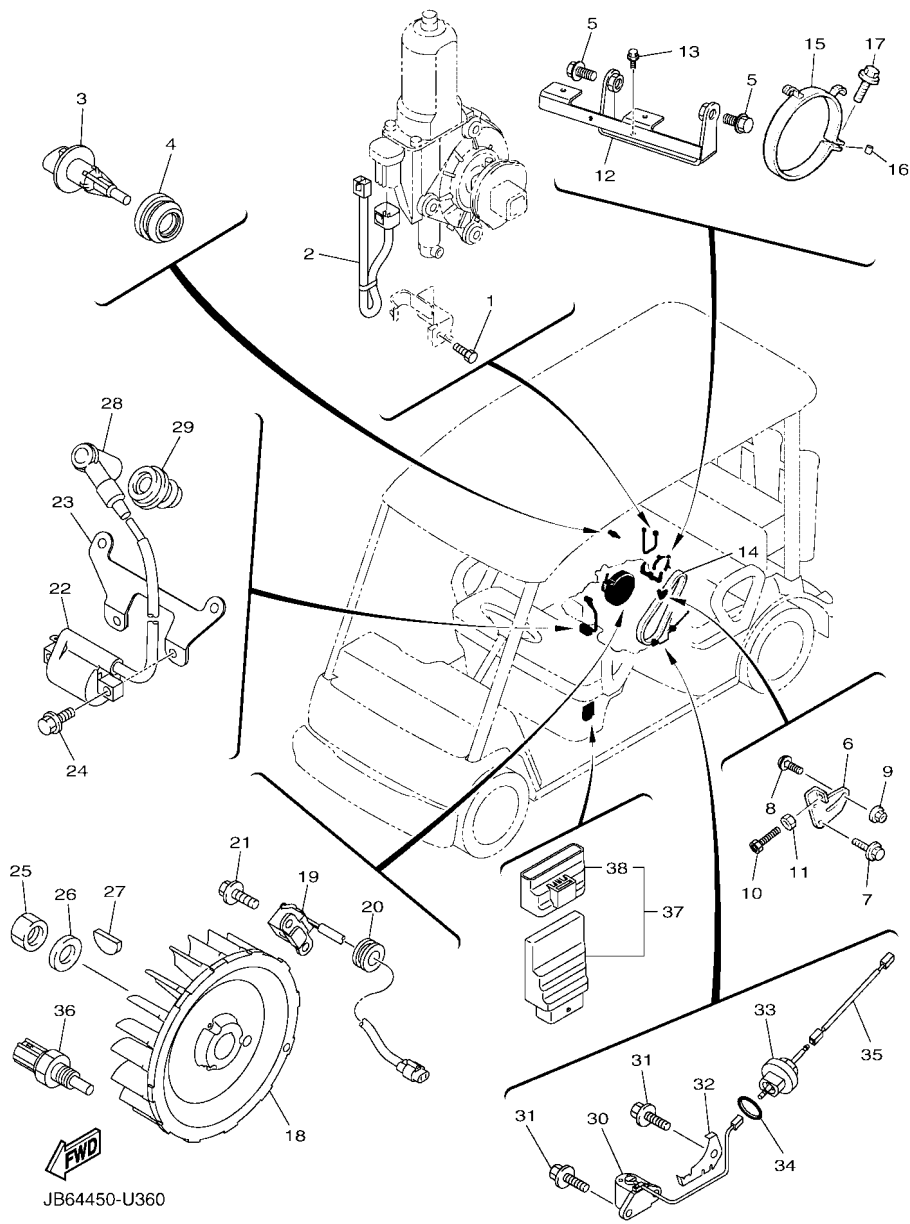
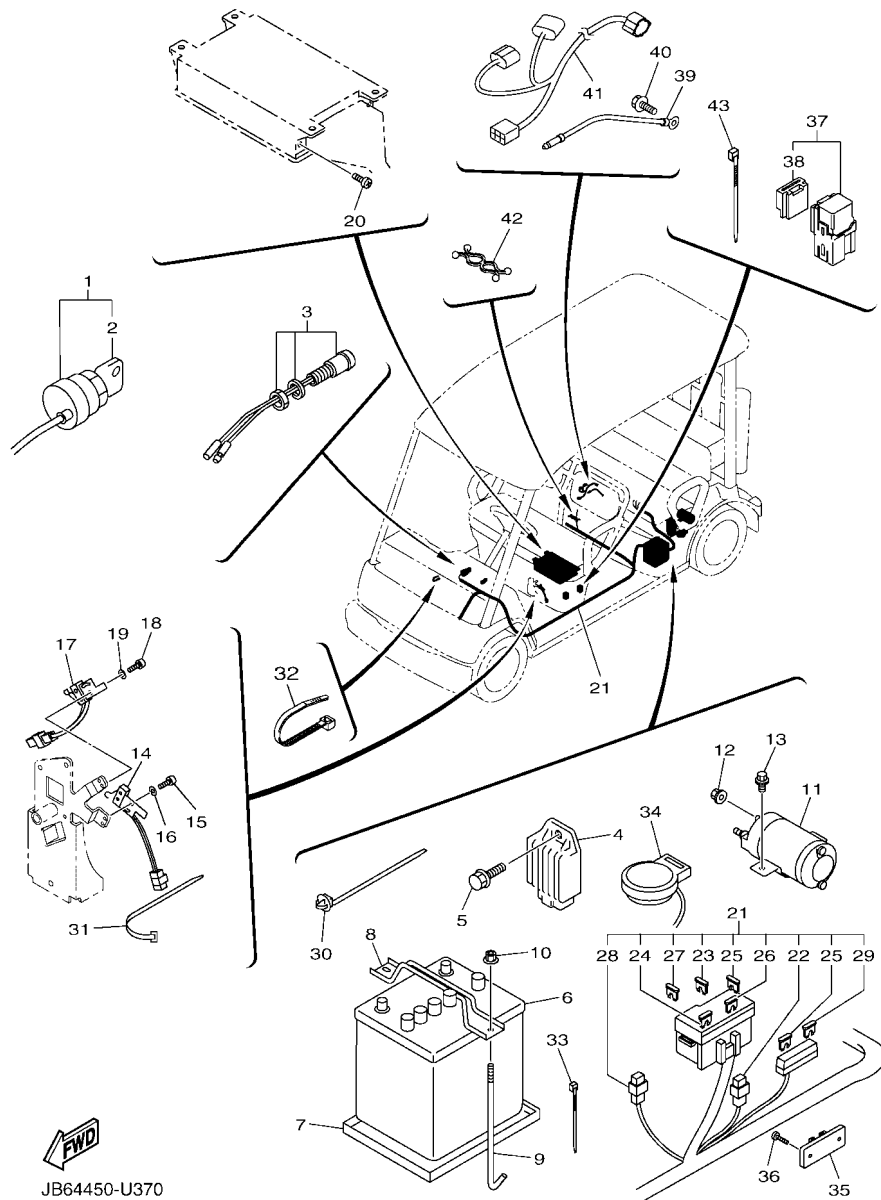


FIG. 36 ELECTRICAL 1

REF. NO.	PART NO.	DESCRIPTION	JB64	REMARKS
28	JN6-82370-00	PLUG CAP ASSY	1	
29	JE8-82372-00	SEAL, PLUG CAP	1	
30	JT0-85720-01	OIL LEVEL GAUGE ASSY	1	
31	95D32-06012	BOLT, FLANGE DEEP RECESS	3	
32	JT0-85724-00	CLAMP	1	
33	JT0-15362-00	PLUG, OIL LEVEL	1	
34	93210-15566	O-RING	1	
35	JT0-8231Y-00	WIRE, LEAD	1	
36	4P9-83591-00	THERMO UNIT	1	
37	JB2-85901-00	ENGINE CONTROL UNIT SUB-ASSY	1	
38	JB2-85546-00	.BAND	1	

FIG. 37 ELECTRICAL 2



JB64450-U370

REF. NO.	PART NO.	DESCRIPTION	JB64	REMARKS
1	JX6-82510-01	MAIN SWITCH ASSY	1	
2	J44-82511-00	.KEY, MAIN SWITCH	1	
3	JB2-81977-10	BULB, PILOT LIGHT (RED)	1	
4	JN2-81910-21	VOLTAGE REGULATOR ASSY	1	
5	90153-06034	SCREW, HEXAGON	1	
6 *		BATTERY ASSY(12V-52AH)	1	LM
7	JN5-82122-00	SEAT, BATTERY	1	
8	JN5-82136-00	PLATE, BATTERY FITTING	1	
9	J45-82133-00	SCREW, FITTING	2	
10	90185-06153	NUT, SELF-LOCKING	2	
11	JH2-81950-02	RELAY ASSY	1	
12	95702-08500	NUT, FLANGE	2	
13	95D02-06012	BOLT, FLANGE DEEP RECESS	2	
14	JT0-82400-00	SWITCH ASSY	1	
15	98502-04010	SCREW, PAN HEAD	2	
16	92902-04600	WASHER, PLATE	2	
17	JT1-82400-20	SWITCH ASSY	1	
18	98502-04010	SCREW, PAN HEAD	2	
19	92902-04600	WASHER, PLATE	2	
20	97702-50516	SCREW, TAPPING	2	
21	JB6-82590-13	WIRE HARNESS ASSY	1	
22	JN2-81980-01	.DIODE ASSY	1	
23	5JJ-82151-10	.FUSE (15A-BL)	2	
24	5JJ-82151-20	.FUSE (20A-BL)	2	
25	5JJ-82151-40	.FUSE (4A-BL)	2	
26	5JJ-82151-00	.FUSE (7.5A-BL)	2	
27	5JJ-82151-30	.FUSE (10A-BL)	1	

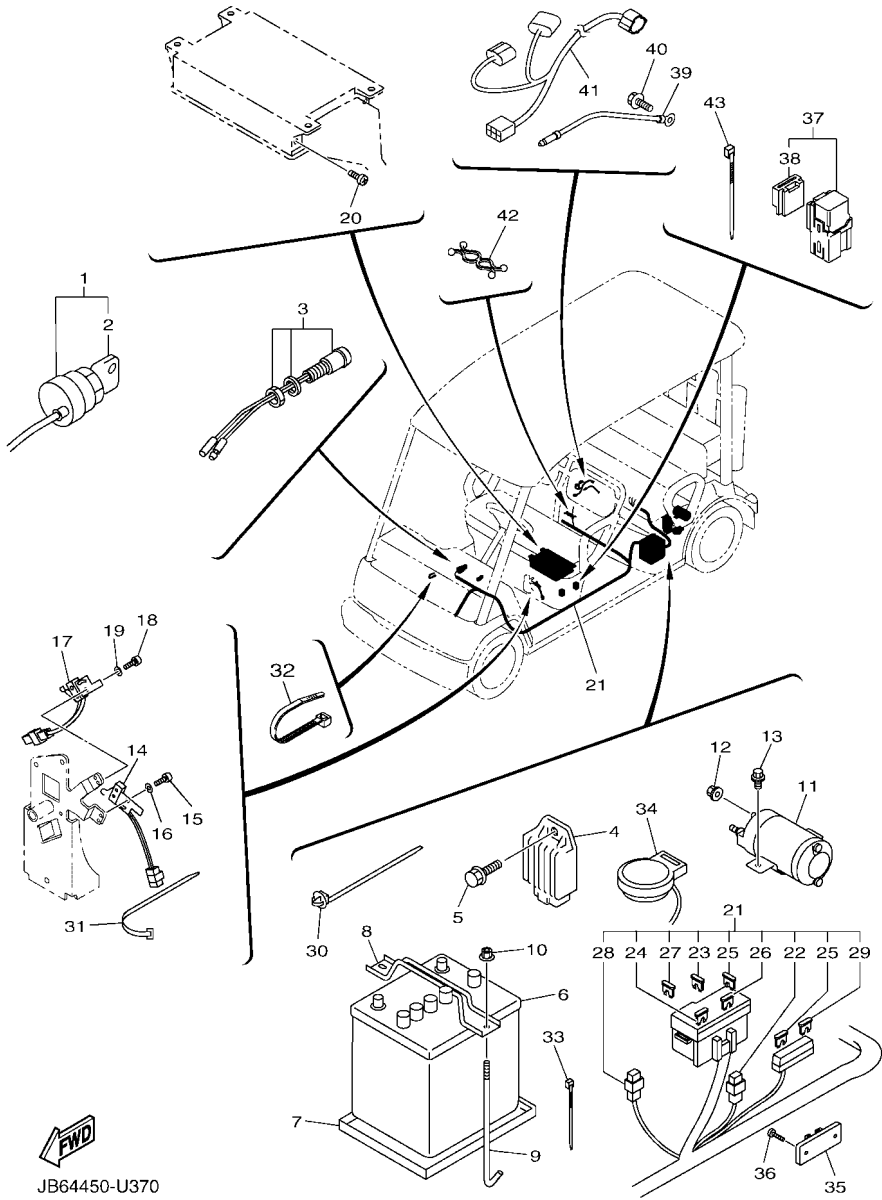


FIG. 37 ELECTRICAL 2

REF. NO.	PART NO.	DESCRIPTION	JB64	REMARKS
28	4FM-82151-00	.FUSE (30A)	1	
29	5JJ-82151-80	.FUSE (2A-BL)	1	
30	90464-36007	CLAMP	1	
31	90465-13152	CLAMP	4	
32	90465-13275	CLAMP	3	
33	90465-12356	CLAMP	1	
34	JB3-83383-00	BUZZER	1	
35	JT1-83614-00	BRACKET	1	
36	98902-06014	SCREW, BIND	2	
37	1TP-81950-00	RELAY ASSY (1TP-00)	2	
38	5EA-81952-00	.HOLDER, RELAY	1	
39	JC0-82519-00	WIRE, EARTH LEAD	1	
40	95D32-06012	BOLT, FLANGE DEEP RECESS	1	
41	J0B-82149-01	WIRE, LEAD 3	1	
42	90464-14134	CLAMP	1	
43	90465-12356	CLAMP	1	

NUMERICAL INDEX

PART NO.	REF. NO.	PART NO.	REF. NO.	PART NO.	REF. NO.	PART NO.	REF. NO.	PART NO.	REF. NO.	PART NO.	REF. NO.
JT0-11111-00	1 - 1	52S-13938-00	6 - 7	2HR-23526-00	11 - 11	JX2-2580T-03	16 - 3	1UY-25926-51	15 - 10	JY2-4624A-00	20 - 3
JN6-11116-00	1 - 10	JB2-13971-01	13 - 10	JB2-23540-00	11 - 1	JX2-2580U-03	15 - 17		15 - 24	JY2-4624B-00	21 - 4
JN6-11133-10	1 - 2	52B-14137-00	6 - 8	JX4-23549-01	11 - 3		16 - 17		16 - 10	JY2-46251-21	20 - 7
JR7-11163-10	1 - 18	52B-14147-00	6 - 9	JY8-23570-01	11 - 10	JB2-25816-00	18 - 19		16 - 24	JY2-46253-00	20 - 4
JB2-11166-01	1 - 16	5CA-14147-00	6 - 10	JX4-23579-01	11 - 12	JB2-2581J-00	18 - 4	3TB-25933-00	15 - 15	JB2-46260-11	21 - 1
JN6-11168-00	1 - 11	3B4-14424-00	5 - 9	JY6-23810-00	12 - 1	1UY-25824-51	15 - 9		15 - 29	JY2-46270-21	21 - 2
JN6-11169-00	1 - 12	5CA-14435-00	36 - 4	JX4-23812-01	12 - 12		15 - 23		16 - 15	JY2-46275-00	21 - 10
JT0-11181-00	1 - 3	JB2-14453-00	5 - 19	JR9-23823-01	12 - 28		16 - 9		16 - 29	JB2-46284-00	21 - 5
JN6-11191-01	1 - 9	7KY-14613-01	7 - 6	JR7-23833-00	12 - 24		16 - 23	1UY-25937-51	15 - 6	JX4-46311-11	22 - 1
JN6-11193-00	1 - 13	JB2-14710-21	7 - 1	JX4-23837-00	12 - 20	1UY-25825-51	15 - 16		15 - 20	JB2-46312-00	22 - 7
812-11198-00	8 - 6	JB2-14771-00	7 - 9	JN5-23838-00	12 - 3		15 - 30		16 - 6	JX4-46319-00	22 - 12
JN6-11400-00	2 - 1	JC0-15111-01	8 - 1	JX4-23841-00	12 - 25		16 - 16		16 - 20	JB2-46321-00	22 - 19
JN6-11454-10	2 - 8	J38-15361-00	8 - 18	JR7-23844-00	12 - 18		16 - 30	1UY-25938-51	15 - 11	J38-46338-00	22 - 32
JR7-11610-00	2 - 3	JT0-15362-00	36 - 33	JR7-23848-00	12 - 19	JB2-25826-00	18 - 21		15 - 25	JX4-4633A-00	22 - 5
JR7-11610-10	2 - 3	796-15363-01	8 - 16	JY2-2384L-01	5 - 18	JX2-2582A-00	18 - 35		16 - 11	JX2-4633H-00	23 - 31
JR7-11610-20	2 - 3	JN6-15411-01	8 - 8	JX4-2384N-00	12 - 11	JX2-2582T-00	15 - 1		16 - 25	J38-46348-00	22 - 28
JR7-11631-00-A0	2 - 2	JY2-15451-00	8 - 12	J50-23857-00	12 - 2		16 - 1	JX2-25961-00	15 - 13	J38-46351-00	22 - 20
583-11633-00	2 - 4	JY2-17688-01	21 - 6	JR7-23866-00	12 - 22	JB2-2583T-00	18 - 16		15 - 27	J38-46356-00	22 - 29
JR7-11635-00	2 - 2	JY2-2135J-00	20 - 6	JB6-2386N-01	12 - 8	JB2-25852-00	18 - 20		16 - 13	JB2-46361-11	22 - 21
JR7-11636-00	2 - 2		21 - 3	JX4-23876-00	12 - 29	2GU-25866-00	18 - 15		16 - 27	JB2-46362-00	22 - 22
JN6-11650-10	2 - 6	JT0-21481-00	9 - 1		12 - 35	JB2-25871-00	18 - 7	JB2-26312-00	5 - 11	J38-46363-00	22 - 23
JN6-11654-10	2 - 7	JB2-22110-10	9 - 4	JX4-2387A-01	12 - 10	JB2-25872-00	18 - 1	JB2-26313-00	5 - 12	JY2-4636A-00	22 - 24
JN6-12111-10	3 - 2	JX4-22123-00	9 - 13	JX4-2387E-00	12 - 13	JB2-25873-00	18 - 2	JB2-26326-00	18 - 17	JX4-46372-01	24 - 7
J38-12117-01	3 - 6	JX4-22124-00	9 - 6	JR7-2387F-00	12 - 16	JB2-25874-00	18 - 3	JB2-27200-00	14 - 1	JY2-46374-00	21 - 9
J38-12118-00	3 - 7	JB2-22130-20	9 - 17	JR7-2387G-00	12 - 14	5KM-25875-00	18 - 37	JB2-27211-00	14 - 3	JR7-46381-00	24 - 10
4G0-12119-00	3 - 13	JB2-22172-00	9 - 5	JR7-2387J-00	12 - 17	JB2-25876-00	18 - 39	JB2-27218-00	18 - 23	JR7-46382-00	24 - 4
7RH-12121-10	3 - 3	JY4-22210-00	9 - 10	JR7-2387K-00	12 - 15	JX2-2587A-00	18 - 43	JB2-27222-00	18 - 24	J38-46383-00	24 - 2
JN6-12151-00	3 - 8	JB2-22348-00	9 - 20	JR7-23894-00	12 - 23	JB2-25880-00	18 - 22	JB2-27229-00	18 - 26	JX4-46384-00	22 - 38
JN6-12153-10	3 - 4	5GJ-22426-00	10 - 16	JB2-24110-01	13 - 1	JX2-25882-10	18 - 8	JB2-27263-00	14 - 15	JB2-46411-00	22 - 44
JR7-12154-10	3 - 12	JB6-22501-29	10 - 1	JX4-24141-00	13 - 18	JB2-25883-00	18 - 9	JB2-27275-00	17 - 2	JB2-46414-00	22 - 46
J38-12156-20	3 - 11	JY6-22504-00	10 - 2	8AC-2414B-01	28 - 11	JX2-25885-11	18 - 34	JB2-27411-00	28 - 17	JB2-46415-00	22 - 47
22F-12159-10	3 - 9	JB2-2254R-00	29 - 19	JB2-24217-00	13 - 9	JX2-25887-00	18 - 42	JY2-27801-01	19 - 1	JB2-46417-00	22 - 48
JR7-12180-10	3 - 1	JX4-22562-01	10 - 14	JX4-24260-03	13 - 7	JB2-2588A-00	18 - 10	JY2-28415-01	32 - 26	JB2-46421-10	22 - 45
JN6-12616-00	4 - 3	JB2-22571-00	10 - 4	4J2-24261-00	13 - 8	JB2-2588B-00	18 - 11	JY2-44189-00	20 - 5	JY2-46511-00	25 - 9
JN6-12621-02	4 - 1	JB2-22572-11	10 - 5	1S3-24486-00	13 - 5	JX2-2588C-10	18 - 12	JY2-45282-00	20 - 15	JY2-46512-00	25 - 10
JR7-12634-00	4 - 11	JB2-22594-00	10 - 18	18P-24491-00	13 - 4	JY2-2588D-00	18 - 13	JY2-45531-00	21 - 8	JX2-46540-00	25 - 1
JN6-12651-01	4 - 5	JX4-22597-00	10 - 7	JH2-24610-10	13 - 2	JB2-2588E-00	18 - 14	JY2-45618-00	20 - 12	JX2-46550-00	25 - 5
JN6-12652-00	4 - 7	JX6-2259M-00	10 - 12	JR7-2467K-00	12 - 21	JB2-2588H-00	18 - 5	JY2-45621-00	20 - 13	JY2-47339-00	20 - 17
JR7-12658-00	4 - 6	JX6-2259N-00	10 - 11	JY2-2474E-00	32 - 27	JB2-2588J-00	18 - 6	JY2-45677-00	21 - 11	JN3-47559-00	22 - 58
JX4-12691-00	4 - 9	JY4-23350-00	11 - 18	JB2-25100-00	11 - 24	JB2-25896-00	18 - 18	JY2-46159-00	21 - 7	JT4-48214-00	23 - 11
JC0-13542-01	6 - 4	JX4-23400-02	12 - 9		25 - 14	3JD-25917-00	15 - 7	JY2-46205-24	20 - 8	JX4-48330-02	24 - 1
JC0-13567-00	5 - 4	JX4-23417-00	12 - 27	JB2-2510S-00	11 - 26		15 - 21	JY2-46210-01	20 - 1	JX4-77157-00	28 - 14
JN6-13567-00	5 - 3	JX4-23427-00	12 - 30		25 - 16		16 - 7	JY2-46220-23	20 - 2	JY3-77174-00	26 - 14
JC0-13595-00	5 - 1		12 - 36	JY2-25110-00	11 - 27		16 - 21	JY2-46231-22	20 - 14	JX4-77188-00	28 - 13
JB2-13750-01	6 - 1	JX4-23445-00	12 - 26	JY8-2512A-01	11 - 35	JX2-25919-00	15 - 8	JY2-46236-20	20 - 9	JB2-77202-02	26 - 16
JB2-13769-00	6 - 12	JX2-23510-00	11 - 21		25 - 20		15 - 22	JY2-46237-20	20 - 10	JY2-77212-10	26 - 11
J0B-13770-00	6 - 6	JX2-23520-00	11 - 22	JB2-25310-00	25 - 17		16 - 8	JX4-46241-00	20 - 18	JB2-77213-00	26 - 3
J0B-13907-01	13 - 3	2HR-23526-00	11 - 2	JX2-2580T-03	15 - 3		16 - 22	JY2-46249-00	20 - 16	JB2-77214-00	26 - 4

NUMERICAL INDEX

PART NO.	REF. NO.	PART NO.	REF. NO.	PART NO.	REF. NO.	PART NO.	REF. NO.	PART NO.	REF. NO.	PART NO.	REF. NO.
JX4-77217-00	26 - 7	JB2-78150-00	29 - 20	JX4-7832F-00	31 - 3	JY2-78478-00	33 - 39	4P9-83591-00	36 - 36	3TB-W0057-00	16 - 4
JY3-77223-00	26 - 9	J17-78157-01	32 - 5	JX4-7832H-00	29 - 14	JY2-78483-30	32 - 1	JT1-83614-00	37 - 35		16 - 18
JB2-77233-01	26 - 15		32 - 10	JX4-78334-01	31 - 42	JY2-78484-00	33 - 34	JX2-83688-00	23 - 10	90101-06053	36 - 10
JB2-77261-00	26 - 5	JX4-78164-00	27 - 2	JX4-7833H-00	29 - 15	JB2-81100-00	34 - 1	JB2-85546-00	36 - 38	90101-08344	22 - 34
JB2-77262-00	26 - 6	JX4-78165-00	27 - 3	JB2-7833K-10	31 - 13	JB2-81111-10	34 - 13	JC0-85650-10	36 - 18	90101-10038	25 - 12
JY3-77263-01	26 - 13	JB2-78178-00	32 - 22	JB2-78355-00	32 - 2	JB2-81119-10	34 - 12	JT0-85720-01	36 - 30	90105-05331	19 - 3
JB2-77271-00	26 - 18	JB2-7817F-00	31 - 32	JB2-78356-00	32 - 23	JN7-81128-00	36 - 15	JT0-85724-00	36 - 32	90105-06228	31 - 16
JB2-77275-00	26 - 19	JB2-7817G-00	31 - 36	JN5-78357-10	12 - 37	JB2-81166-10	34 - 11	JB2-85885-00	6 - 2	90105-06452	23 - 9
JB2-77283-00	26 - 17	JB2-78180-00	27 - 8	JX4-78358-00	12 - 39	JN2-81170-00	36 - 6	JN9-85885-00	19 - 2	90105-08002	21 - 13
JB2-77510-00	27 - 1	JX2-78181-00	28 - 22	JX4-7835E-00	28 - 9	JB2-81171-00	36 - 12	5CA-85886-00	36 - 3	90105-08058	31 - 38
JX4-77520-00	27 - 6	JB2-78187-00	30 - 1	JB2-7835J-20	32 - 17	JN7-81173-00	36 - 14	JB2-85901-00	36 - 37	90105-08096	33 - 18
JF7-77563-00	27 - 12	JX4-7818E-00	27 - 9	JB8-78361-01	33 - 25	JB2-81670-00	36 - 19	JB2-85930-09	17 - 1	90105-08198	33 - 23
JB2-77711-00	28 - 19	JX4-7818F-00	27 - 10	JB8-78362-01	33 - 16	5GM-81677-00	18 - 32	JB2-86281-00	22 - 53	90105-08252	33 - 26
JB6-77741-10	28 - 20	JB2-78191-00	30 - 4	JX4-78364-00	32 - 24	JY2-81802-00	5 - 16	JX2-86290-01	23 - 1	90105-10116	11 - 8
JN5-77741-11	29 - 1	JN5-78192-00	30 - 5	JF7-78367-00	32 - 3	JN2-81910-21	37 - 4	JB6-8A210-30	35 - 1	90105-10221	11 - 16
JB6-77742-00	28 - 24	JB2-781B1-00	29 - 3	J17-78368-01	32 - 6	1TP-81950-00	37 - 37	J0B-E4411-01	5 - 8	90105-10283	12 - 31
JY6-77762-10	12 - 38	JF7-78214-00	31 - 26		32 - 11	JH2-81950-02	37 - 11	J0B-E4412-00	5 - 5	90105-102A9	15 - 31
JB3-77866-50	29 - 2	JB2-78231-00	29 - 24	J17-78369-00	32 - 7	5EA-81952-00	37 - 38	J0B-E4451-01	5 - 6		16 - 31
JY4-77768-10	26 - 1	JB2-78241-00	29 - 26		32 - 12	JB2-81977-10	37 - 3	JU0-E445E-00	5 - 7	90105-10348	22 - 49
JB2-78100-30	28 - 1	JB2-78243-00	28 - 2	JY2-78369-00	32 - 50	JN2-81980-01	37 - 22	J0M-E4718-00	7 - 2	90105-10728	11 - 5
JX4-78101-00	28 - 10	JB2-78244-00	28 - 3	JX4-7836H-00	32 - 21	JN5-82122-00	37 - 7	J0M-E4728-00	7 - 3	90105-12031	9 - 14
JX4-78101-10	28 - 10	JX4-78245-00	33 - 10	JX7-7836H-00	31 - 14	J45-82133-00	37 - 9	44C-F592A-00	15 - 12	90109-06212	29 - 4
JX4-78101-20	28 - 10	JX4-78246-00	33 - 11	JB8-7836L-01	33 - 17	JN5-82136-00	37 - 8		15 - 26	90109-06302	18 - 44
JX4-78101-30	28 - 10	JY2-78251-00	29 - 16	JY2-78374-00	32 - 43	J0B-82149-01	37 - 41		16 - 12	90109-08221	15 - 2
JX4-78101-60	28 - 10	JB2-78252-00	9 - 21	JB2-78375-00	32 - 29	4FM-82151-00	37 - 28		16 - 26		16 - 2
JY2-7810M-00	33 - 36	JB2-78253-00	10 - 19	JB2-78376-00	32 - 30	5JJ-82151-00	37 - 26	J0B-H1115-00	34 - 17	90109-083G2	36 - 8
JY2-78113-00	28 - 15	JX4-7825K-00	30 - 8	JB2-78380-00	32 - 48	5JJ-82151-10	37 - 23	J0B-H1139-00	34 - 14	90109-10473	32 - 33
JY2-78117-00	29 - 5	JX4-78273-00	28 - 27	JB2-78389-00	32 - 44	5JJ-82151-20	37 - 24	J0B-H1150-00	34 - 9	90110-05032	23 - 6
JY2-78118-00	29 - 6	J50-78274-10	31 - 27	JB2-78392-00	31 - 9	5JJ-82151-30	37 - 27	J0B-H1157-00	34 - 16	90110-06091	22 - 55
JB6-7811V-00	28 - 26	JX4-78297-01	33 - 1	JB2-78393-00	31 - 11	5JJ-82151-40	37 - 25	J0B-H1158-00	34 - 6	90111-08013	32 - 35
JB2-78130-00	29 - 12	JB2-78298-20	28 - 5	JR7-78402-02	33 - 30	5JJ-82151-80	37 - 29	J0B-H1160-00	34 - 10	90111-08027	27 - 11
JB2-78130-10	29 - 12	JB5-78299-00	31 - 1	JB8-78404-01	33 - 7	1S4-82310-02	36 - 22	J0B-H1161-00	34 - 4	90113-04004	20 - 11
JB2-78130-20	29 - 12	JY2-7829A-20	26 - 2	JB8-78405-01	33 - 3	JC0-82316-00	36 - 23	J0B-H1163-00	34 - 8	90114-10019	11 - 30
JB2-78130-30	29 - 12	JB2-7830A-00	26 - 25	JB8-78407-01	33 - 28	JB2-82318-00	36 - 2	J0B-H1165-00	34 - 5		25 - 18
JB2-78130-60	29 - 12	JB2-7830B-00	26 - 27	JB8-78410-11	33 - 2	JT0-8231Y-00	36 - 35	J0B-H1353-00	34 - 2	90119-06073	13 - 14
JB2-78139-00	28 - 25	JB2-7830C-00	31 - 29	JB6-78413-00	33 - 32	JX2-8234W-01	23 - 4	J0B-H1554-00	34 - 15		13 - 17
JB2-7813F-00	26 - 26	JB2-7830D-00	31 - 33	JB8-78418-01	33 - 29	JN6-82370-00	36 - 28	J0B-H2534-00	34 - 3	90149-08291	33 - 21
JB2-7813G-00	26 - 28	JB3-7830E-00	31 - 17	JB2-78420-01	33 - 6	JE8-82372-00	36 - 29	J0B-HA906-00	34 - 7	90153-05064	5 - 17
JB2-78140-00	29 - 13	JB3-7830E-10	31 - 19	JB8-78423-00	33 - 15	1C7-82380-00	6 - 3	JX2-W0045-11	15 - 14	90153-06034	37 - 5
JB2-78140-10	29 - 13	JB3-7830F-00	31 - 21	JR7-78426-00	33 - 12	JT0-82400-00	37 - 14		16 - 14	90157-06011	32 - 15
JB2-78140-20	29 - 13	JB3-7830F-10	31 - 23	JX4-78427-00	29 - 17	JT1-82400-20	37 - 17	JX2-W0045-21	15 - 28	90157-06068	31 - 28
JB2-78140-30	29 - 13	JB3-78314-01	31 - 2	JY2-78427-00	29 - 8	JX6-82510-01	37 - 1		16 - 28	90159-06055	32 - 4
JB2-78140-60	29 - 13	JX4-7831L-00	26 - 30	JX4-7842F-00	33 - 42	J44-82511-00	37 - 2	3GD-W0047-00	15 - 5	90170-05302	3 - 10
JB2-78141-00	29 - 7	JB2-7831N-10	31 - 40	JX4-7842G-00	33 - 43	JC0-82519-00	37 - 39		15 - 19	90170-08209	7 - 7
JY2-78142-00	29 - 11	JY2-7831W-00	32 - 53	JF7-78433-00	33 - 4	JB2-82530-00	14 - 13		16 - 5	90171-12001	11 - 14
JB2-78145-00	32 - 34	JB2-78323-00	32 - 41		33 - 8	JB6-82590-13	37 - 21		16 - 19		12 - 33
JX4-7814E-00	29 - 21	JB2-78323-10	32 - 46	JB2-78439-00	33 - 14	JF7-82817-22	19 - 4	3TB-W0057-00	15 - 4	90179-06020	26 - 22
JX4-7814H-00	28 - 7	JY2-78328-20	28 - 8	JB2-78460-01	10 - 9	JB3-83383-00	37 - 34		15 - 18	90179-06021	31 - 18

NUMERICAL INDEX

PART NO.	REF. NO.	PART NO.	REF. NO.	PART NO.	REF. NO.	PART NO.	REF. NO.	PART NO.	REF. NO.	PART NO.	REF. NO.
90179-06021	31 - 20	90201-20611	22 - 25	90462-08007	22 - 56	92907-10600	23 - 2	95602-10200	9 - 12	95822-10045	11 - 19
	31 - 22	90201-257J2	22 - 26	90464-04002	18 - 33	93102-12224	22 - 43		11 - 17	95822-12025	36 - 5
	31 - 24	90209-08013	21 - 12	90464-14134	37 - 42	93102-20281	22 - 52		11 - 20	95827-08065	27 - 5
90179-06059	31 - 31	90249-07190	22 - 37	90464-16021	19 - 7	93102-25017	22 - 5	95602-12100	12 - 4	95880-06012	32 - 49
	31 - 35	90267-48101	10 - 6	90464-23003	5 - 21	93102-25360	22 - 6	95602-12200	9 - 15		32 - 54
90179-06636	31 - 10		10 - 15	90464-36007	37 - 30		22 - 11	95604-16200	11 - 33	95880-06016	31 - 15
	31 - 12		30 - 6	90465-06011	22 - 18	93102-35014	8 - 3	95607-10200	11 - 9	95880-06020	31 - 25
90179-08491	22 - 60	90269-05055	32 - 25	90465-12356	37 - 33		8 - 10	95622-08618	1 - 7		33 - 37
90179-08689	31 - 30	90269-06003	31 - 39		37 - 43	93102-35109	25 - 3	95702-06500	14 - 5	95880-06025	26 - 24
	31 - 34	90269-07010	29 - 10	90465-13152	30 - 2		25 - 7	95702-08500	5 - 2	95880-06030	31 - 4
90179-10031	11 - 31		29 - 23		37 - 31	93210-132A8	14 - 11		7 - 8	95880-08025	33 - 35
	25 - 19	90269-07064	28 - 4	90465-13275	30 - 3	93210-15566	36 - 34		7 - 10	95D02-06010	13 - 19
	25 - 11		29 - 25		37 - 32	93210-22344	8 - 17		12 - 6		23 - 8
90179-20016	37 - 10		29 - 27	90468-10049	5 - 14	93305-00602	11 - 28		14 - 7	95D02-06012	10 - 10
90185-06153	14 - 10	90269-10001	4 - 10	90480-01400	13 - 12	93306-00810	22 - 4		14 - 14		18 - 38
90185-10019	9 - 3	90269-10005	28 - 6	90480-08216	32 - 45		22 - 10		14 - 17		18 - 40
90185-10060	9 - 8		28 - 16	90480-13398	28 - 12	93306-20201	8 - 4		36 - 9		19 - 6
90201-044H9	12 - 41		28 - 18	90480-13567	28 - 21		8 - 11		37 - 12		37 - 13
90201-06020	26 - 21		28 - 23	90480-18290	13 - 15	93306-20401	22 - 3	95702-10500	11 - 6	95D02-06016	5 - 10
	33 - 38		29 - 22	90480-20564	36 - 20		22 - 9	95802-06040	29 - 18		33 - 31
90201-06049	33 - 41		30 - 7	90480-25004	31 - 8	93306-20421	22 - 8	95802-08035	14 - 6	95D02-06020	4 - 2
	33 - 45	90280-04052	36 - 27	90501-10060	22 - 36	93306-20548	22 - 2	95812-06010	17 - 3		4 - 8
90201-06074	9 - 19	90338-15004	32 - 47	90501-264A9	3 - 5	93306-20714	8 - 9	95812-06016	24 - 8	95D02-06025	18 - 41
90201-06090	13 - 11	90338-24204	31 - 41	90502-10013	12 - 42	93306-30578	25 - 2	95812-06025	6 - 11	95D02-06030	10 - 13
90201-06106	32 - 16	90340-12097	8 - 5	90506-10001	32 - 52		25 - 6	95812-08012	17 - 4		29 - 9
90201-06115	31 - 5	90340-14036	22 - 16	90508-40015	14 - 8	93306-30709	8 - 2	95812-08020	10 - 8	95D32-06012	27 - 4
90201-06116	31 - 6	90381-18004	32 - 31	90520-15007	30 - 9	93450-21053	2 - 5		12 - 7		36 - 31
90201-08026	33 - 22	90383-12002	24 - 11	91312-06012	22 - 54	93900-00022	11 - 25	95812-08025	18 - 29		37 - 40
90201-08088	18 - 27	90384-14080	14 - 2	91317-08045	23 - 7		25 - 15	95812-08045	8 - 13	95D32-06014	9 - 18
90201-08101	32 - 40	90386-06108	32 - 8	91402-20012	22 - 41	94702-00348	1 - 8	95812-08055	26 - 29	95D32-06020	36 - 17
90201-08326	24 - 13		32 - 13		24 - 6	95022-06012	18 - 36	95812-08060	32 - 18	95D32-08020	36 - 7
90201-08730	31 - 37	90387-046N7	12 - 43	91402-25020	11 - 7	95022-08016	24 - 9	95812-08075	22 - 59		36 - 13
	33 - 19	90387-06553	26 - 20		11 - 15	95022-08025	27 - 7	95812-10016	9 - 16	95D32-08040	22 - 13
	33 - 27	90387-065L7	36 - 16		11 - 34	95024-06016	32 - 42	95812-10030	25 - 13	97002-05010	36 - 1
90201-10057	1 - 5	90387-066J1	13 - 16		12 - 34	95302-06600	36 - 11	95812-10045	9 - 11	97012-10050	8 - 14
	8 - 15	90387-07598	13 - 13	91490-25020	18 - 28	95302-06800	13 - 6	95812-10090	14 - 9	97012-10070	1 - 4
90201-10118	18 - 31	90387-08031	32 - 20	91609-40020	22 - 33	95302-18600	36 - 25	95812-12065	9 - 7	97022-06025	33 - 13
90201-102J5	32 - 39	90387-08100	21 - 14	91609-40040	22 - 51	95307-08800	32 - 28	95817-06014	9 - 22	97080-06016	33 - 44
90201-105A2	12 - 32	90387-10109	14 - 12	91690-20020	26 - 10	95307-10800	32 - 38		10 - 20	97080-06020	33 - 40
90201-107G8	9 - 2	90387-12053	32 - 32	91690-30012	26 - 12	95380-08600	32 - 51	95822-06012	7 - 4	97507-05512	19 - 5
90201-120T5	32 - 37	90387-15019	31 - 7	91702-05010	5 - 13	95602-06200	7 - 5	95822-06016	35 - 2	97702-50016	5 - 20
90201-12166	22 - 42	90387-252M8	22 - 27	91702-06014	24 - 5		10 - 17		36 - 21		33 - 5
90201-12190	12 - 5	90387-30006	11 - 23	91702-06022	22 - 39	95602-08100	24 - 3		36 - 24		33 - 9
90201-121J0	9 - 9	90401-10015	18 - 30	92902-04600	37 - 16	95602-08200	24 - 12	95822-06030	1 - 14	97702-50516	37 - 20
90201-122H1	32 - 36	90430-08119	22 - 35		37 - 19		32 - 19		14 - 4	97702-60420	4 - 4
90201-163M0	11 - 32	90430-14043	22 - 17	92902-06200	22 - 40		33 - 24	95822-08014	14 - 16	97707-40525	12 - 40
90201-17713	22 - 30	90462-05061	1 - 15	92902-08100	18 - 25	95602-08710	1 - 17	95822-08050	22 - 14	98502-04010	37 - 15
90201-18620	36 - 26	90462-06007	22 - 57	92902-08200	33 - 20	95602-10100	23 - 3	95822-10025	10 - 3		37 - 18

NUMERICAL INDEX

PART NO.	REF. NO.	PART NO.	REF. NO.	PART NO.	REF. NO.	PART NO.	REF. NO.	PART NO.	REF. NO.	PART NO.	REF. NO.
98502-06014	6 - 5										
98780-06014	26 - 8										
98780-06035	26 - 23										
98902-06014	37 - 36										
98980-06012	33 - 33										
99001-07600	5 - 15										
99009-30400	11 - 4										
99009-32400	11 - 13										
99009-55500	11 - 29										
99009-62500	25 - 4										
	25 - 8										
99080-05600	32 - 9										
	32 - 14										
99530-08016	8 - 7										
99530-12016	22 - 15										
99530-14016	1 - 6										
	22 - 50										