



# PARTS CATALOGUE

## G31EXS ( JB51 ) GUAM, MALAYSIA, PHILIPPINES, THAILAND, TAIWAN



1PJB5-400E1

( )

2017/02/23

NEWS No.	DATE	COMMENT
PE0-GC-150007	Sep.,17,2015	MOD:FIG.16 BODY 2 LIST REVISION
PE0-GC-170002	Feb.,23,2017	MOD:FIG.15 BODY LIST&ILLUST REVISION

G31EXS  
PARTS CATALOGUE  
©2016 by Yamaha Motor Co., Ltd.  
1st edition, September 2016  
All rights reserved.  
Any reprinting or unauthorized use  
without the written permission of  
Yamaha Motor Co., Ltd.  
is expressly prohibited.  
Printed in Japan.

# FOREWORD

This Parts Catalogue is related to the parts for the model(s) on the cover page. When you are ordering replacement parts, please refer to this Parts Catalogue and quote both part numbers and part names correctly.

1. Modifications or additions which have been made after the issue of the Parts Catalogue will be announced in the Parts News.  
It is advisable that you make the necessary corrections to the Parts Catalogue according to the Parts News.

2. Abbreviations

The following abbreviations are used in this Parts Catalogue.

“UR” Use specified parts number.

“UN” Use as many as needed.

“AP” Alternate Parts

“LM” Locally Made (Parts need to be ordered locally)

“F#” Frame No. (Applicable machine No.)

“O/S” Over Size

3. The number of components for assembly

- Parts, which are to be supplied in an assembly, are listed with a dot (.) in front of the part name as shown below.
- The numeral appearing to the right of each component part indicates the quantity of parts for each assembly unit.

PART NO.	DESCRIPTION	Q'TY	REMARKS
2F5-83310-60	FRONT FLASHER LIGHT ASSY	2	
115-83311-60	.BULB (6V-18W)	1	

4. Applicable colours of graphics are represented in the “REMARKS” as shown below.

PART NO.	DESCRIPTION	Q'TY	REMARKS
2N4-24110-00-X5	FUEL TANK COMP.	2	MXR
3J1-24240-10	.GRAPHIC, FUEL TANK	1	FOR MXR

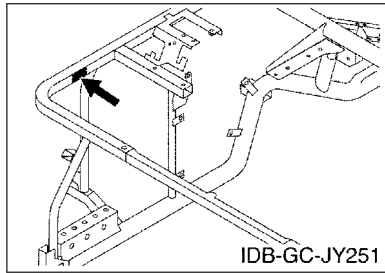
5. Note that the illustrations for reference in finding parts numbers are not to be used for assembling. When assembling, please use the applicable service manual.

6. The asterisk (\*) before a reference number indicates modified items after the first edition.

# FOREWORD

7. Applicable Serial No.

Frame Serial No.



8. Applicable Colour Code (The (\*) mark shows Model colour.)

Abbreviation	Colour Name	Colour Code
DNGM3(*)	DARK GRAYISH GREEN METALLIC 3	0712
DPBMC(*)	DEEP PURPLISH BLUE METALLIC C	0564
DRMD(*)	DULL RED METALLIC D	0779
RW(*)	RADICAL WHITE	00UJ

9. Quantity Column Information

Column No.	Name Of Q'ty Column	Destination
1	JB51	GUM,MYS,PHL,THA,TWN

10. Applicable Starting Serial No.

Frame Serial No.

Serial No.	Name Of Q'ty Column	Model Code
JB5-0100101	JB51	JB51

# CONTENTS

## BODY

REAR ARM & SUSPENSION.....	1
FRAME.....	2
FRONT SUSPENSION & WHEEL.....	3
STEERING.....	5
BRAKE.....	7
BRAKE 2.....	8
BRAKE 3.....	10
BRAKE 4.....	12
FRONT MASTER CYLINDER.....	13
ACCELERATOR.....	15

## DRIVE

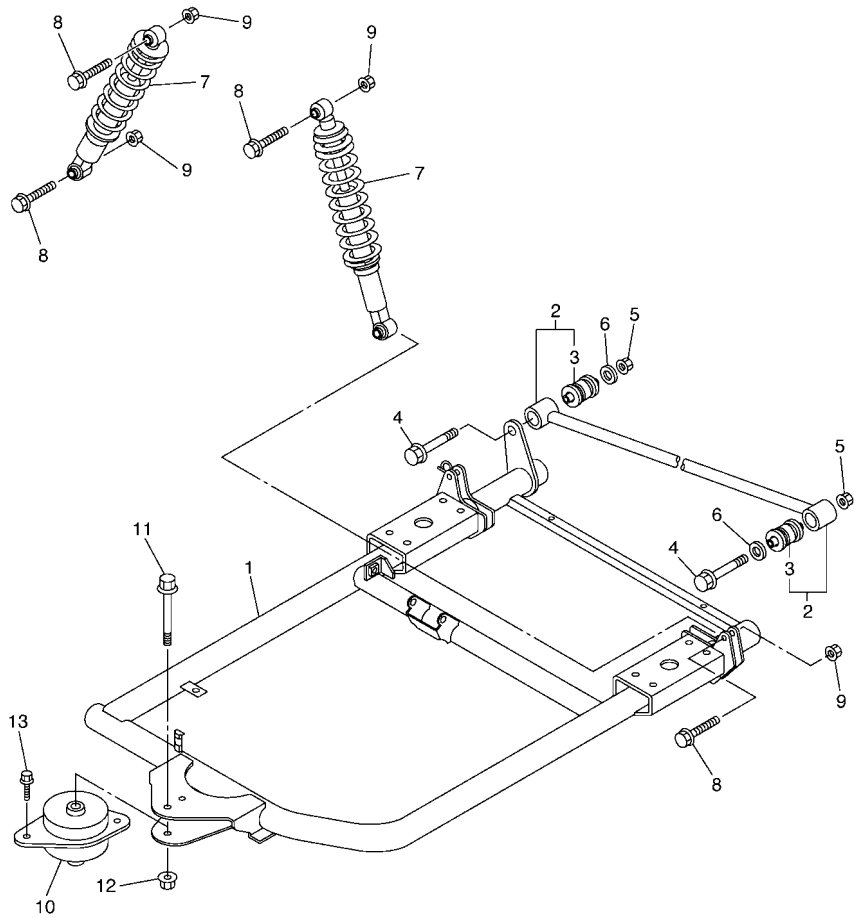
TRANSAXLE.....	16
REAR AXLE & WHEEL.....	18
WINDSHIELD(SPLIT TYPE).....	19
BUMPER.....	21
BODY.....	22
BODY 2.....	24
BODY FITTING.....	26
SUN ROOF.....	27
CARRIER(MOVABLE).....	29
SEAT.....	32

## ELECTRICAL

ELECTRIC MOTOR.....	34
CONTROL UNIT.....	35
ELECTRICAL 1.....	36

## INDEX

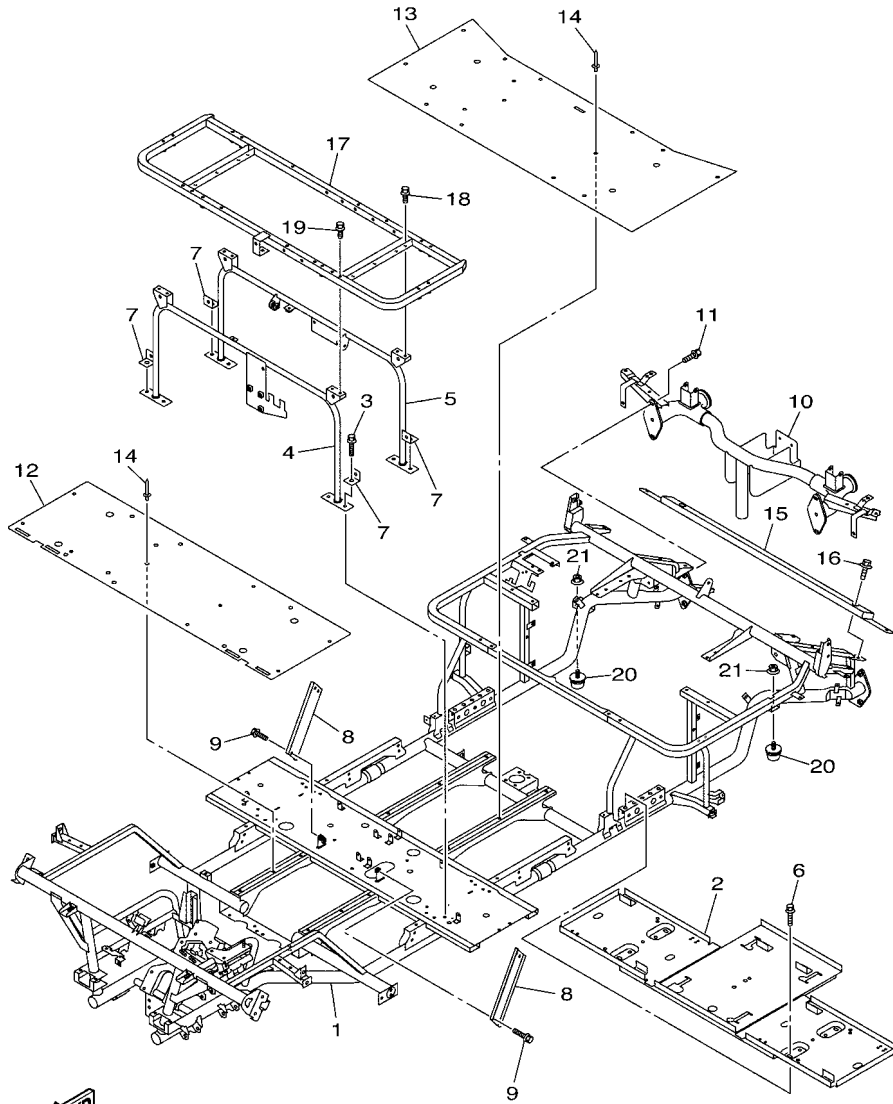
NUMERICAL INDEX.....	39
----------------------	----



JX31010-D010

**FIG. 1 REAR ARM & SUSPENSION**

REF. NO.	PART NO.	DESCRIPTION	JB51	REMARKS
1	JB8-22110-00	REAR ARM COMP.	1	
2	JB2-22172-00	ARM, REAR 2	1	
3	JX4-22124-00	.BUSH 2	2	
4	95812-12065	BOLT, FLANGE	2	
5	90185-12009	NUT, SELF-LOCKING	2	
6	90201-121J0	WASHER, PLATE	2	
7	JY3-22210-00	SHOCK ABSORBER ASSY, REAR	2	
8	95812-10045	BOLT, FLANGE	4	
9	95602-10200	NUT, S/L FLANGE	4	
10	JX4-22123-00	BUSH 1	1	
11	90105-12031	BOLT, FLANGE	1	
12	95602-12200	NUT, SELF-LOCKING	1	
13	95812-10016	BOLT, FLANGE	2	

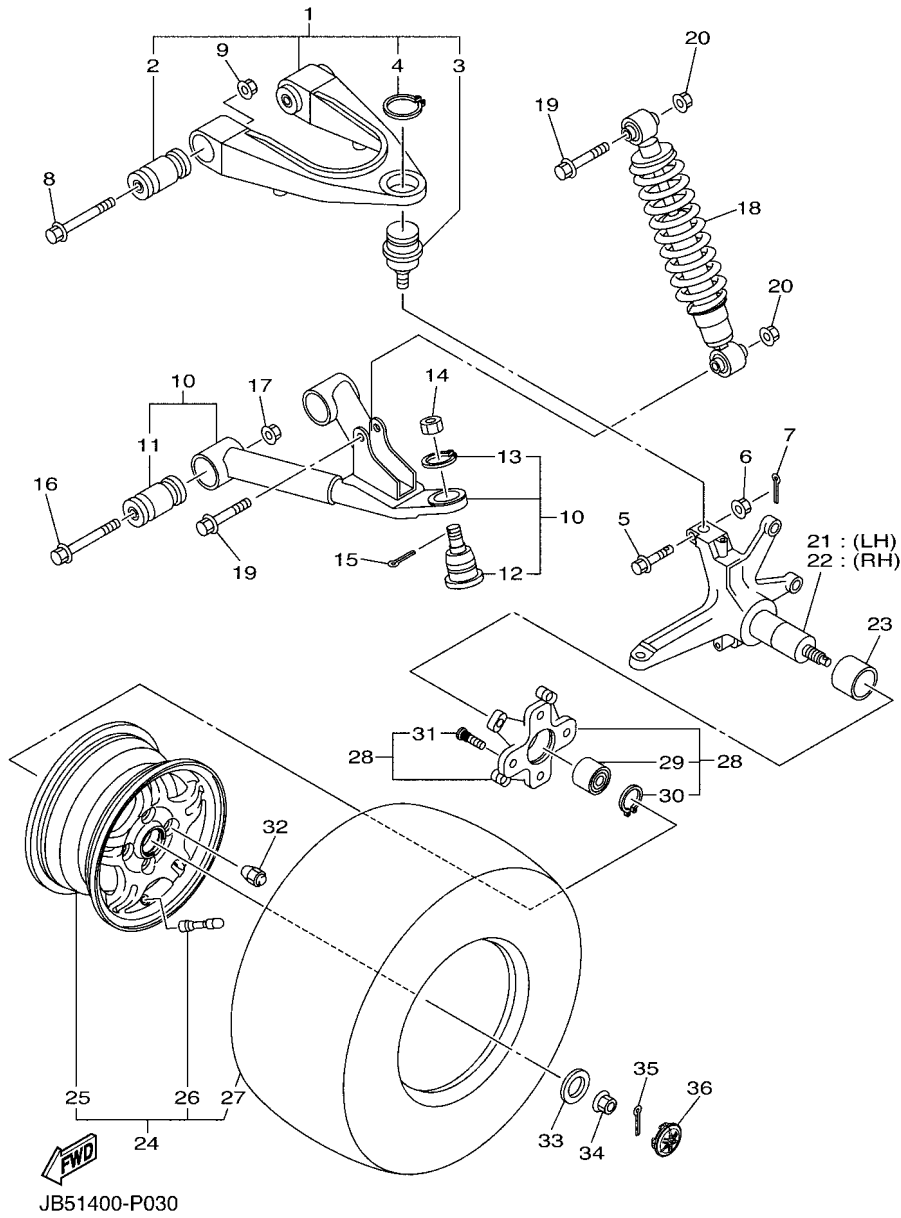


JB51400-P020

**FIG. 2 FRAME**

REF. NO.	PART NO.	DESCRIPTION	JB51				REMARKS
1	JB4-22501-09	FRAME COMP.	1				
2	JB8-22506-00	RR,CROSS MEMBER SUB ASSY	1				
3	95822-08016	BOLT, FLANGE	4				
4	JY8-2255A-00	PIPE ASSY	1				
5	JY8-2255A-10	PIPE ASSY	1				
6	95822-08016	BOLT, FLANGE	8				
7	JY8-22592-00	PLATE 1	4				
8	JY1-2259H-00	REINFORCEMENT 8	2				
9	95822-06016	BOLT, FLANGE	8				
10	JY6-22504-00	RR. SUB-FRAME COMP.	1				
11	95822-10025	BOLT, FLANGE	4				
12	JB2-22571-00	PANEL 1	1				
13	JY8-22572-10	PANEL 2	1				
14	90267-48101	RIVET, BLIND	20				
15	JX4-22597-00	REINFORCEMENT 2	1				
16	95812-08020	BOLT, FLANGE	2				
17	JB8-78460-00	SEAT FRAME COMP.	1				
18	95802-06012	BOLT, FLANGE	2				
19	95802-06030	BOLT, FLANGE	2				
20	5GJ-22426-00	BUMP, STOP	2				
21	95602-06200	NUT, SELF-LOCKING	2				

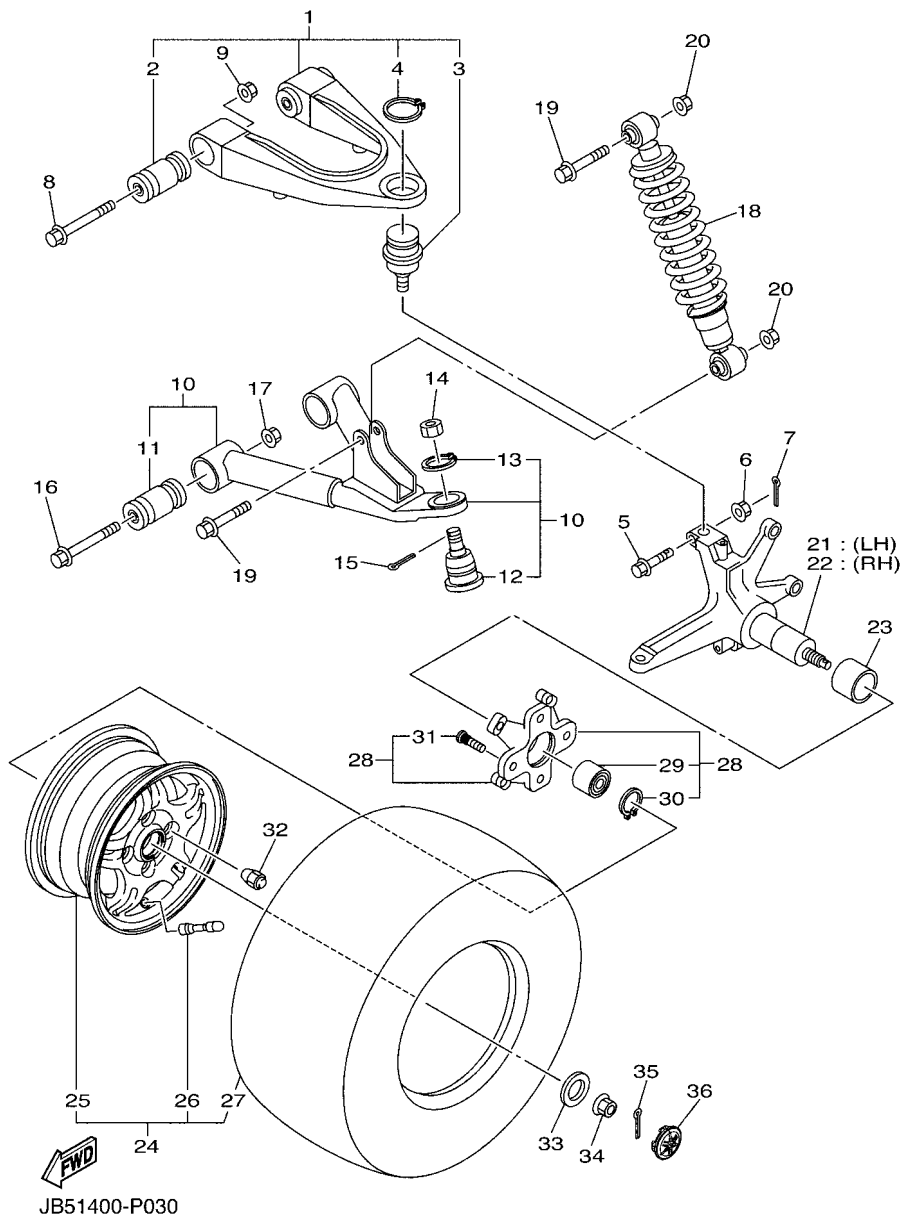
**FIG. 3 FRONT SUSPENSION & WHEEL**



REF. NO.	PART NO.	DESCRIPTION	JB51				REMARKS
1	JB2-23540-00	FRONT UPPER ARM COMP. (LEFT)	2				
2	2HR-23526-00	.BUSH	2				
3	JX4-23549-01	.BALL JOINT 1	1				
4	99009-30400	.CIRCLIP	1				
5	90105-10728	BOLT, FLANGE	2				
6	95702-10500	NUT, FLANGE	2				
7	91402-25020	PIN, COTTER	2				
8	90105-10116	BOLT, FLANGE	4				
9	95607-10200	NUT, U FLANGE	4				
10	JY8-23570-01	FRONT LOWER ARM COMP.	2				
11	2HR-23526-00	.BUSH	2				
12	JX4-23579-01	.BALL JOINT 2	1				
13	99009-32400	.CIRCLIP	1				
14	90171-12001	NUT, CASTLE	2				
15	91402-25020	PIN, COTTER	2				
16	90105-10221	BOLT, FLANGE	4				
17	95602-10200	NUT, S/L FLANGE	4				
18	JY8-23350-01	SHOCK ABSORBER ASSY	2				
19	95822-10045	BOLT, FLANGE	4				
20	95602-10200	NUT, S/L FLANGE	4				
21	JX2-23510-00	KNUCKLE, STEERING COMP. (LEFT)	1				
22	JX2-23520-00	STEERING KNUCKLE COMP. (RIGHT)	1				
23	90387-30006	COLLAR	2				
24	JY8-25100-30	AL WHEEL ASSY (190/50-12 6PR)	2				
25	JY8-25180-00	.WHEEL COMP. (ALUMINIUM)	1				
26	93900-00022	.VALVE, RIM (TR413)	1				TAIHEIYO
27	JY8-2510S-20	.TIRE (190/50-12 6PR KENDA)	1				



**FIG. 3 FRONT SUSPENSION & WHEEL**



REF. NO.	PART NO.	DESCRIPTION	JB51				REMARKS
28	JY2-25110-00	HUB ASSY, FRONT	2				
29	93305-00602	.BEARING	1				
30	99009-55500	.CIRCLIP	1				
31	90114-10019	.BOLT, SERRATION	4				
32	90179-10031	NUT	8				
33	90201-163M0	WASHER, PLATE	2				
34	95604-16200	NUT, U FLANGE	2				
35	91402-25020	PIN, COTTER	2				
36	JY8-2512A-00	CAP, WHEEL	2				



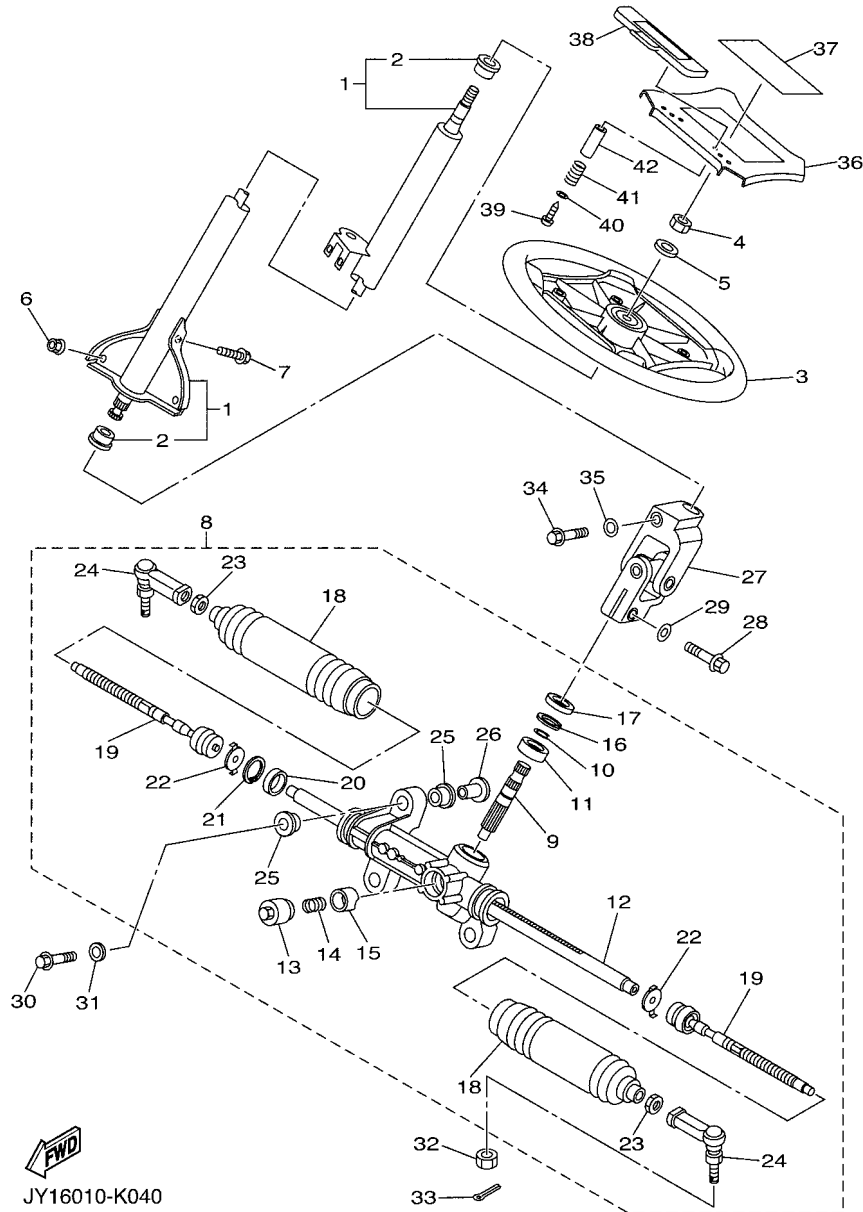
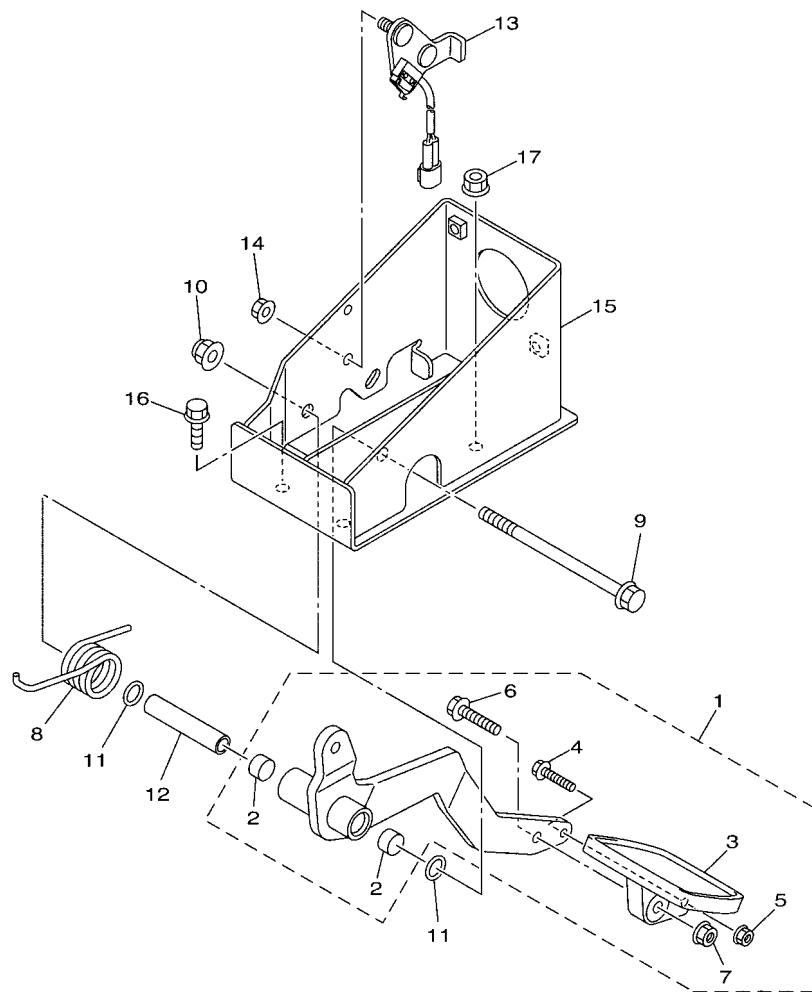


FIG. 4 STEERING

REF. NO.	PART NO.	DESCRIPTION	JBS1				REMARKS
28	JX4-23876-00	BOLT	1				
29	JX4-23427-00	WASHER	1				
30	90105-10283	BOLT, FLANGE	3				
31	90201-105A2	WASHER, PLATE	3				
32	90171-12001	NUT, CASTLE	2				
33	91402-25020	PIN, COTTER	2				
34	JX4-23876-00	BOLT	1				
35	JX4-23427-00	WASHER	1				
36	JN5-78357-10	HOLDER 1	1				
37	JY6-77762-10	LABEL, WARNING 2	1				UR EXCEPT TWN
	JY6-77762-T0	LABEL, WARNING 2	1				UR TWN
38	JX4-78358-00	HOLDER 2	1				
39	97707-40525	SCREW, TAPPING	2				
40	90201-044H9	WASHER, PLATE	2				
41	90502-10013	SPRING, CONICAL	2				
42	90387-046N7	COLLAR	2				

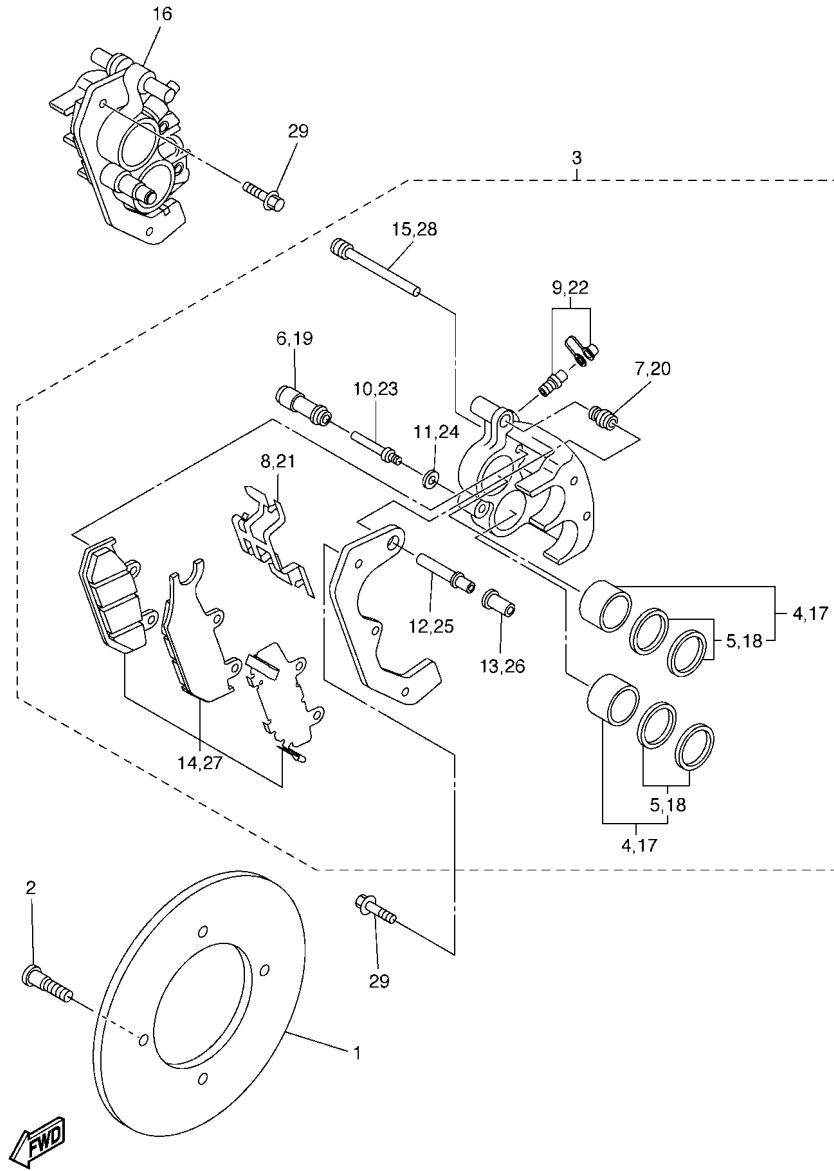
**FIG. 5 BRAKE**



REF. NO.	PART NO.	DESCRIPTION	JB51				REMARKS
1	JB2-27200-00	PEDAL, BRAKE	1				
2	90384-14080	.BUSH, BIMETAL FORMED	2				
3	JB2-27211-00	.PEDAL, BRAKE	1				
4	95822-06030	.BOLT, FLANGE	1				
5	95702-06500	.NUT, FLANGE	1				
6	95802-08035	.BOLT, FLANGE	1				
7	95702-08500	.NUT, FLANGE	1				
8	90508-40015	SPRING, TORSION	1				
9	95812-10090	BOLT, FLANGE	1				
10	90185-10019	NUT, SELF-LOCKING	1				
11	93210-132A8	O-RING	2				
12	90387-10109	COLLAR	1				
13	JB2-82530-00	STOP SWITCH ASSY	1				
14	95702-08500	NUT, FLANGE	2				
15	JB2-27263-00	BRACKET 1	1				
16	95822-08014	BOLT, FLANGE	2				
17	95702-08500	NUT, FLANGE	1				



JB21010-P170

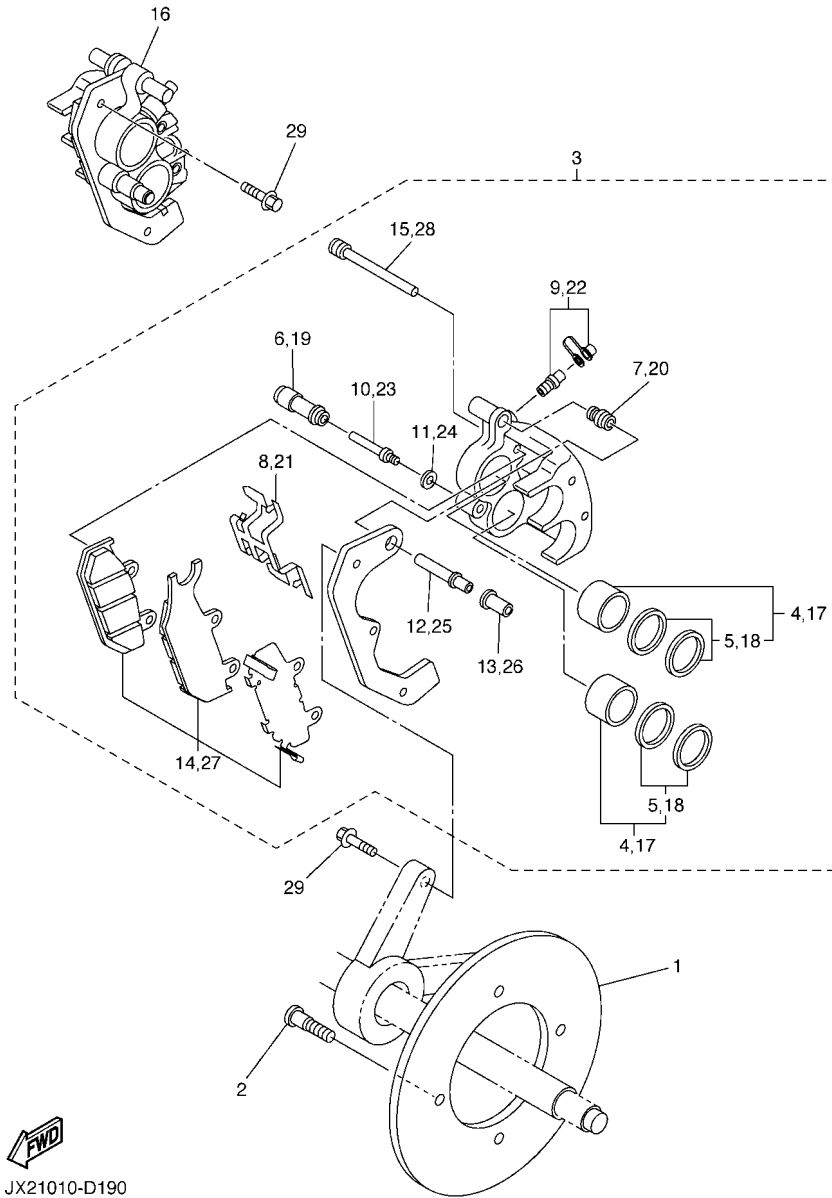


JX21010-D180

FIG. 6 BRAKE 2

REF. NO.	PART NO.	DESCRIPTION	JB51				REMARKS
1	JX2-2582T-00	DISC, BRAKE	2				
2	90109-08221	BOLT	8				
3	JX2-2580T-01	CALIPER ASSY (LEFT)	1				
4	3TB-W0057-00	.PISTON ASSY, CALIPER	2				
5	3GD-W0047-00	..CALIPER SEAL KIT	1				
6	1UY-25937-51	.BOOT 2	1				
7	3JD-25917-00	.BOOT, CALIPER	1				
8	JX2-25919-00	.SUPPORT, PAD	1				
9	1UY-W0048-50	.BLEED SCREW KIT	1				
10	1UY-25926-51	.BOLT	1				
11	1UY-25938-51	.WASHER, SPRING	1				
12	3JD-25926-00	.BOLT	1				
13	JX2-25961-00	.NUT	1				
14	JX2-W0045-10	.BRAKE PAD KIT	1				
15	3TB-25933-00	.WASHER, PAD PIN	2				
16	JX2-2580U-01	CALIPER ASSY (RIGHT)	1				
17	3TB-W0057-00	.PISTON ASSY, CALIPER	2				
18	3GD-W0047-00	..CALIPER SEAL KIT	1				
19	1UY-25937-51	.BOOT 2	1				
20	3JD-25917-00	.BOOT, CALIPER	1				
21	JX2-25919-00	.SUPPORT, PAD	1				
22	1UY-W0048-50	.BLEED SCREW KIT	1				
23	1UY-25926-51	.BOLT	1				
24	1UY-25938-51	.WASHER, SPRING	1				
25	3JD-25926-00	.BOLT	1				
26	JX2-25961-00	.NUT	1				
27	JX2-W0045-20	.BRAKE PAD KIT	1				





**FIG. 7 BRAKE 3**

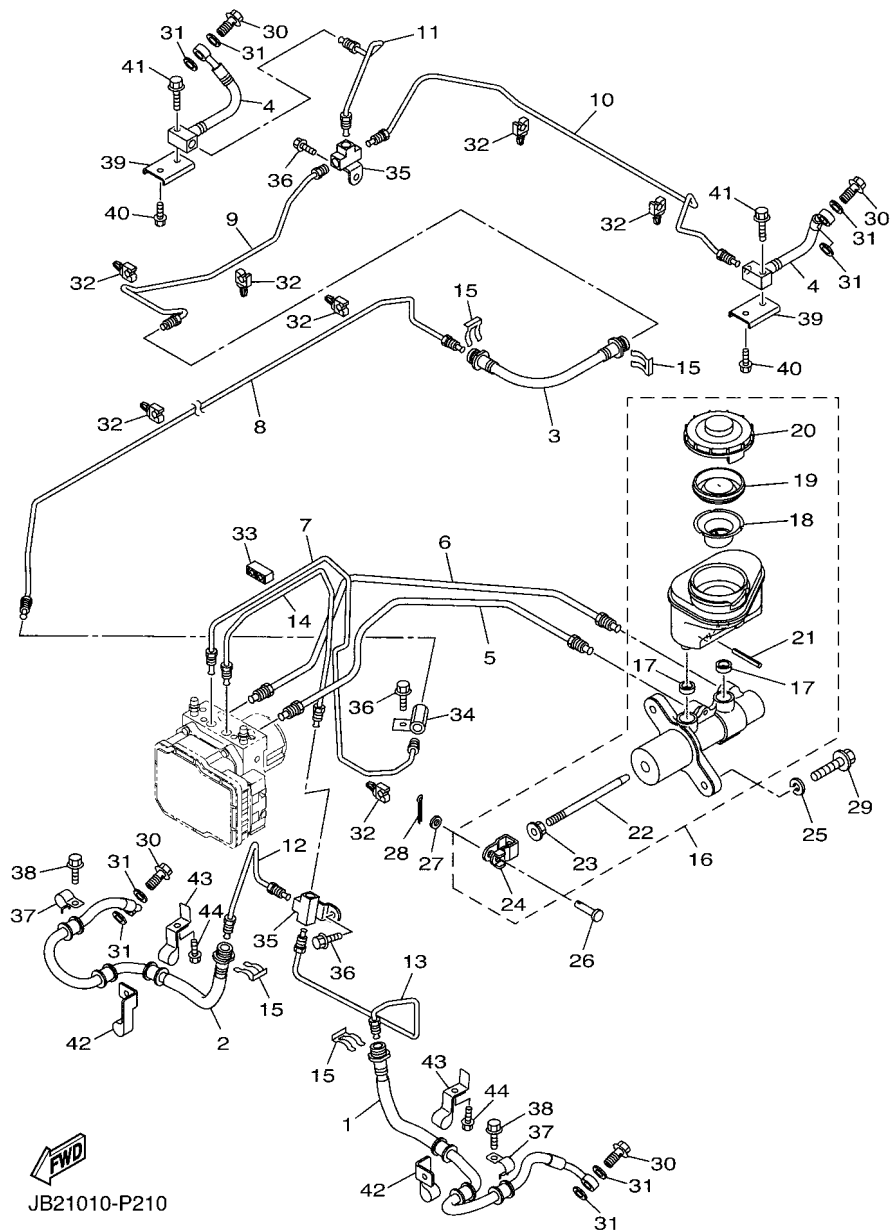
REF. NO.	PART NO.	DESCRIPTION	JBS1				REMARKS
1	JX2-2582T-00	DISC, BRAKE	2				
2	90109-08221	BOLT	8				
3	JX2-2580T-01	CALIPER ASSY (LEFT)	1				
4	3TB-W0057-00	.PISTON ASSY, CALIPER	2				
5	3GD-W0047-00	..CALIPER SEAL KIT	1				
6	1UY-25937-51	.BOOT 2	1				
7	3JD-25917-00	.BOOT, CALIPER	1				
8	JX2-25919-00	.SUPPORT, PAD	1				
9	1UY-W0048-50	.BLEED SCREW KIT	1				
10	1UY-25926-51	.BOLT	1				
11	1UY-25938-51	.WASHER, SPRING	1				
12	3JD-25926-00	.BOLT	1				
13	JX2-25961-00	.NUT	1				
14	JX2-W0045-10	.BRAKE PAD KIT	1				
15	3TB-25933-00	.WASHER, PAD PIN	2				
16	JX2-2580U-01	CALIPER ASSY (RIGHT)	1				
17	3TB-W0057-00	.PISTON ASSY, CALIPER	2				
18	3GD-W0047-00	..CALIPER SEAL KIT	1				
19	1UY-25937-51	.BOOT 2	1				
20	3JD-25917-00	.BOOT, CALIPER	1				
21	JX2-25919-00	.SUPPORT, PAD	1				
22	1UY-W0048-50	.BLEED SCREW KIT	1				
23	1UY-25926-51	.BOLT	1				
24	1UY-25938-51	.WASHER, SPRING	1				
25	3JD-25926-00	.BOLT	1				
26	JX2-25961-00	.NUT	1				
27	JX2-W0045-20	.BRAKE PAD KIT	1				







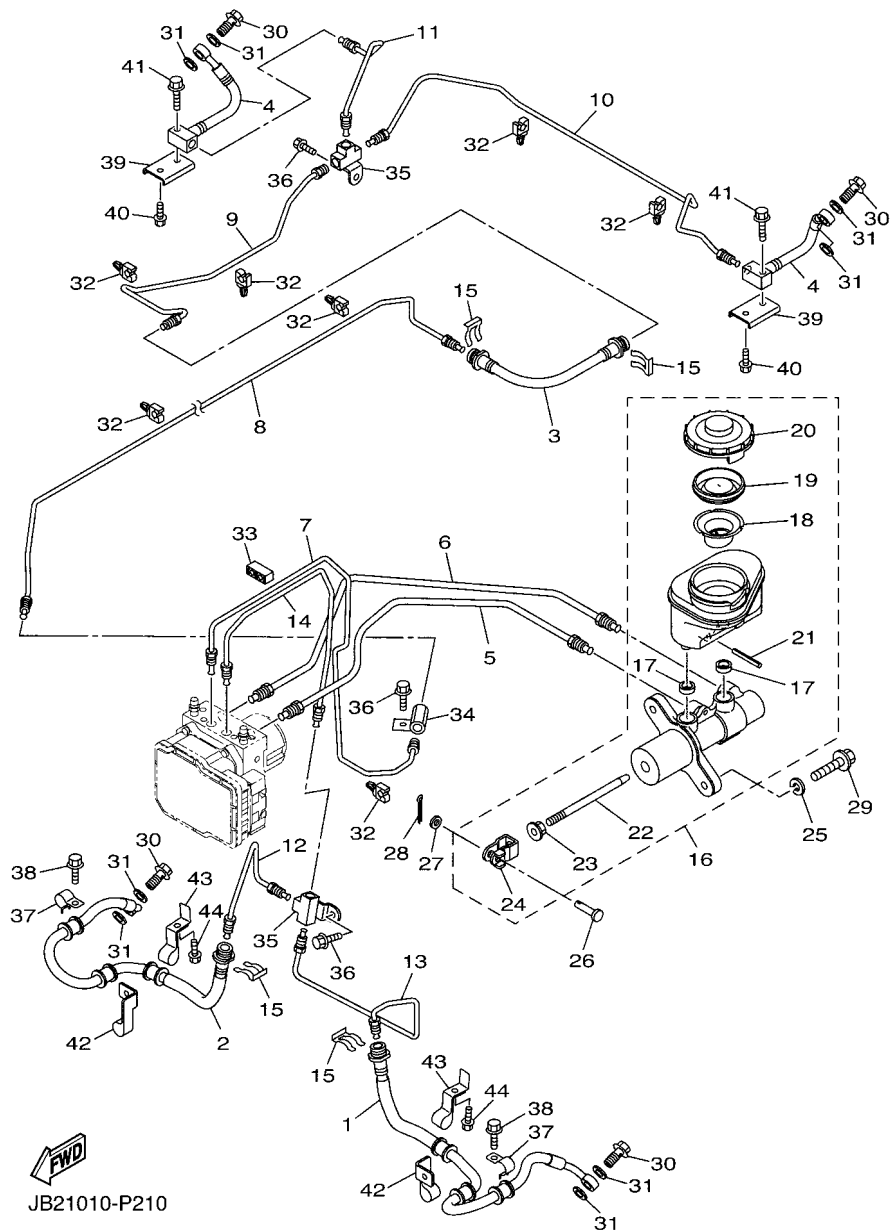
**FIG. 9 FRONT MASTER CYLINDER**



JB21010-P210

REF. NO.	PART NO.	DESCRIPTION	JB51				REMARKS
1	JB2-25872-00	HOSE, BRAKE 1	1				
2	JB2-25873-00	HOSE, BRAKE 2	1				
3	JB2-25874-00	HOSE, BRAKE	1				
4	JB2-2581J-00	HOSE, BRAKE 4	2				
5	JB2-2588H-00	PIPE, BRAKE 9	1				
6	JB2-2588J-00	PIPE, BRAKE 10	1				
7	JB2-25871-00	PIPE, BRAKE	1				
8	JX2-25882-10	PIPE, BRAKE 2	1				
9	JX3-25883-10	PIPE, BRAKE 3	1				
10	JB2-2588A-00	PIPE, BRAKE 4	1				
11	JB2-2588B-00	PIPE, BRAKE 5	1				
12	JX2-2588C-10	PIPE, BRAKE 6	1				
13	JY2-2588D-00	PIPE, BRAKE 7	1				
14	JB2-2588E-00	PIPE, BRAKE 8	1				
15	2GU-25866-00	CIRCLIP	4				
16	JB2-2583T-00	MASTER CYLINDER ASSY	1				
17	JB2-26326-00	.GROMMET	2				
18	JB2-25896-00	.PLATE, RESERVOIR	1				
19	JB2-25816-00	.SEAL, DUST	1				
20	JB2-25852-00	.CAP, RESERVOIR	1				
21	JB2-25826-00	.BOLT 3	1				
22	JB2-25880-00	.PUSH ROD COMP.	1				
23	JB2-27218-00	.NUT	1				
24	JB2-27222-00	.JOINT	1				
25	92902-08100	WASHER, SPRING	2				
26	JB2-27229-00	PIN, JOINT	1				
27	90201-08088	WASHER, PLATE	1				

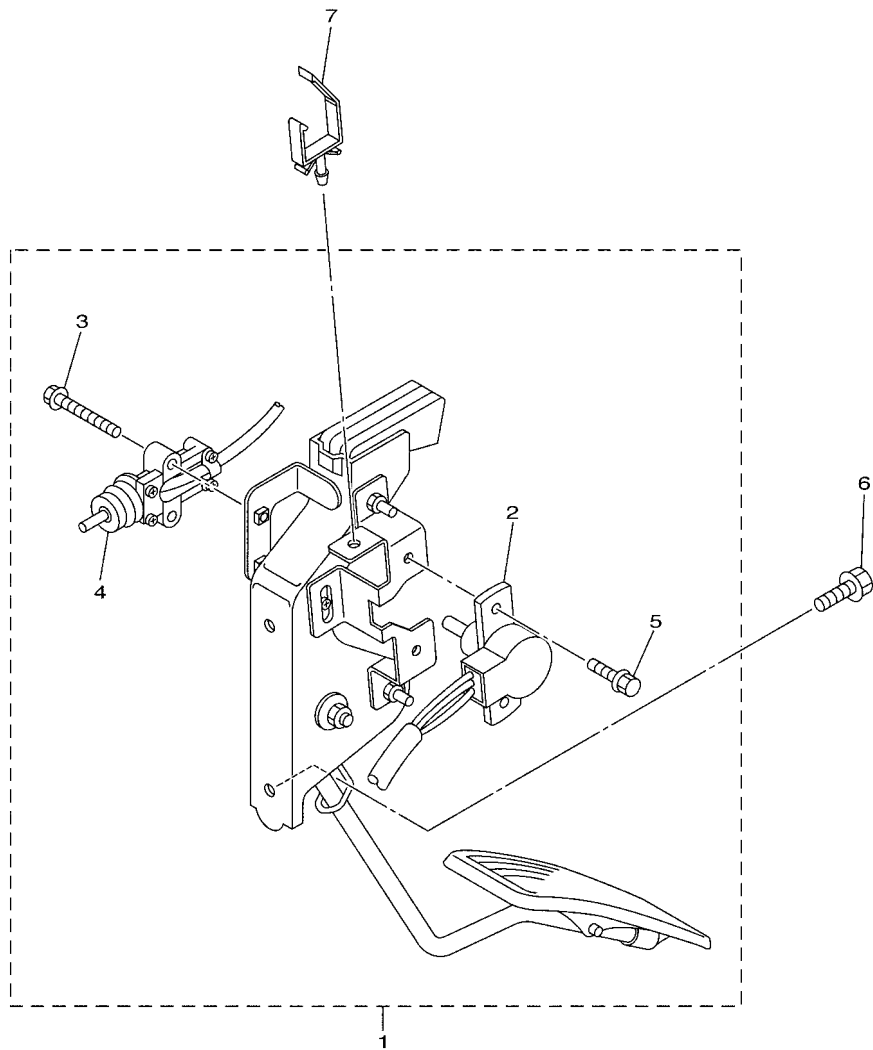
**FIG. 9 FRONT MASTER CYLINDER**



JB21010-P210

REF. NO.	PART NO.	DESCRIPTION	JB51				REMARKS
28	91490-25020	PIN. COTTER	1				
29	95812-08025	BOLT, FLANGE	2				
30	90401-10015	BOLT, UNION	4				
31	90201-10118	WASHER, PLATE	8				
32	5GM-81677-00	CLAMP 1	6				
33	90464-04002	CLAMP	2				
34	JX2-25885-11	JOINT	1				
35	JX2-2582A-00	JOINT	2				
36	95022-06012	BOLT, FLANGE	3				
37	5KM-25875-00	HOLDER, BRAKE HOSE 1	2				
38	95802-06012	BOLT, FLANGE	2				
39	JB2-25876-00	HOLDER, BRAKE HOSE 2	2				
40	95802-06012	BOLT, FLANGE	2				
41	95802-06025	BOLT, FLANGE	2				
42	JX2-25887-00	HOLDER, BRAKE HOSE	2				
43	JX2-2587A-00	HOLDER, BRAKE HOSE	2				
44	90109-06302	BOLT	2				

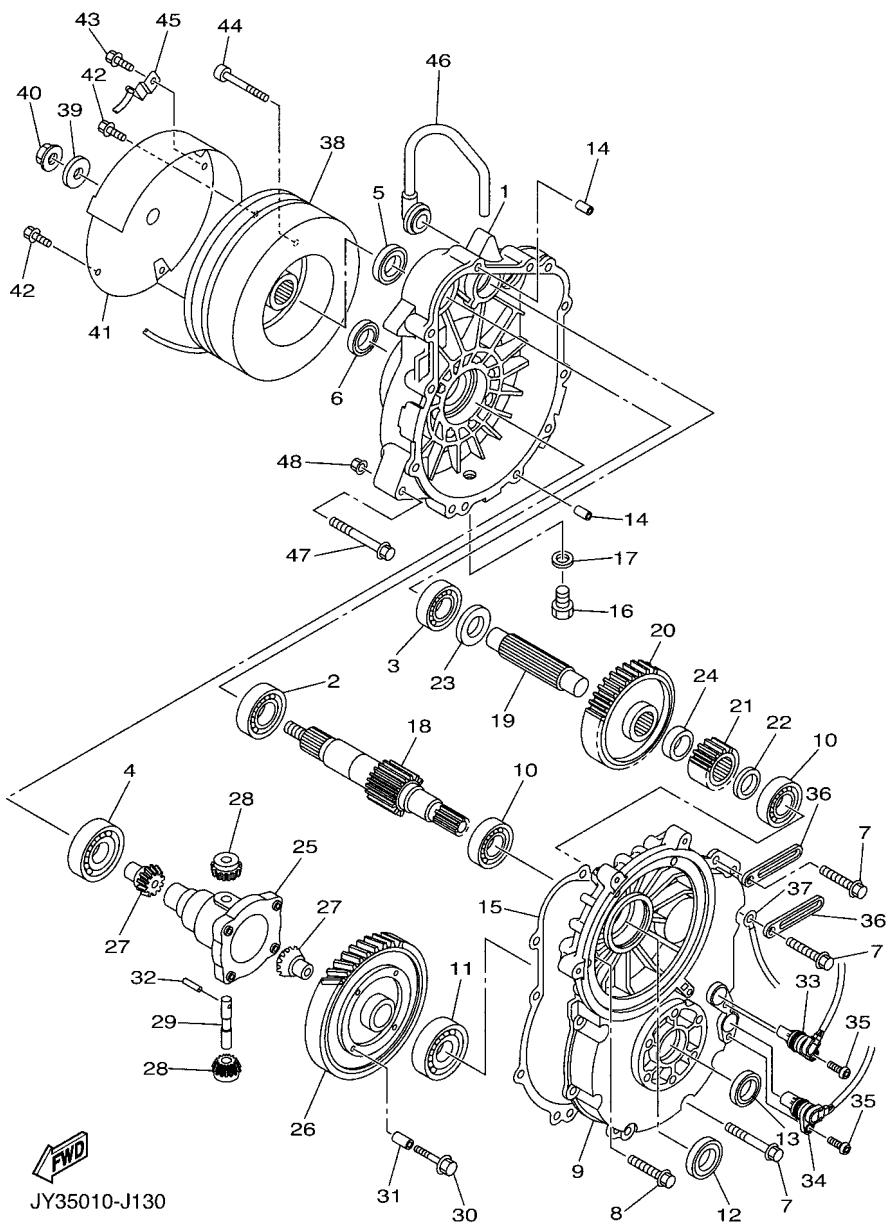
**FIG. 10 ACCELERATOR**



REF. NO.	PART NO.	DESCRIPTION	JB51				REMARKS
1	JY2-27801-01	ACCEL PEDAL ASSY	1				
2	JN9-85885-00	.THROTTLE SENSORASSY	1				
3	90105-05331	.BOLT, FLANGE	2				
4	JF7-82817-22	.SWITCH	1				
5	97507-05512	.BOLT, WITH WASHER	2				
6	95802-06012	BOLT, FLANGE	2				
7	90464-16021	CLAMP	1				

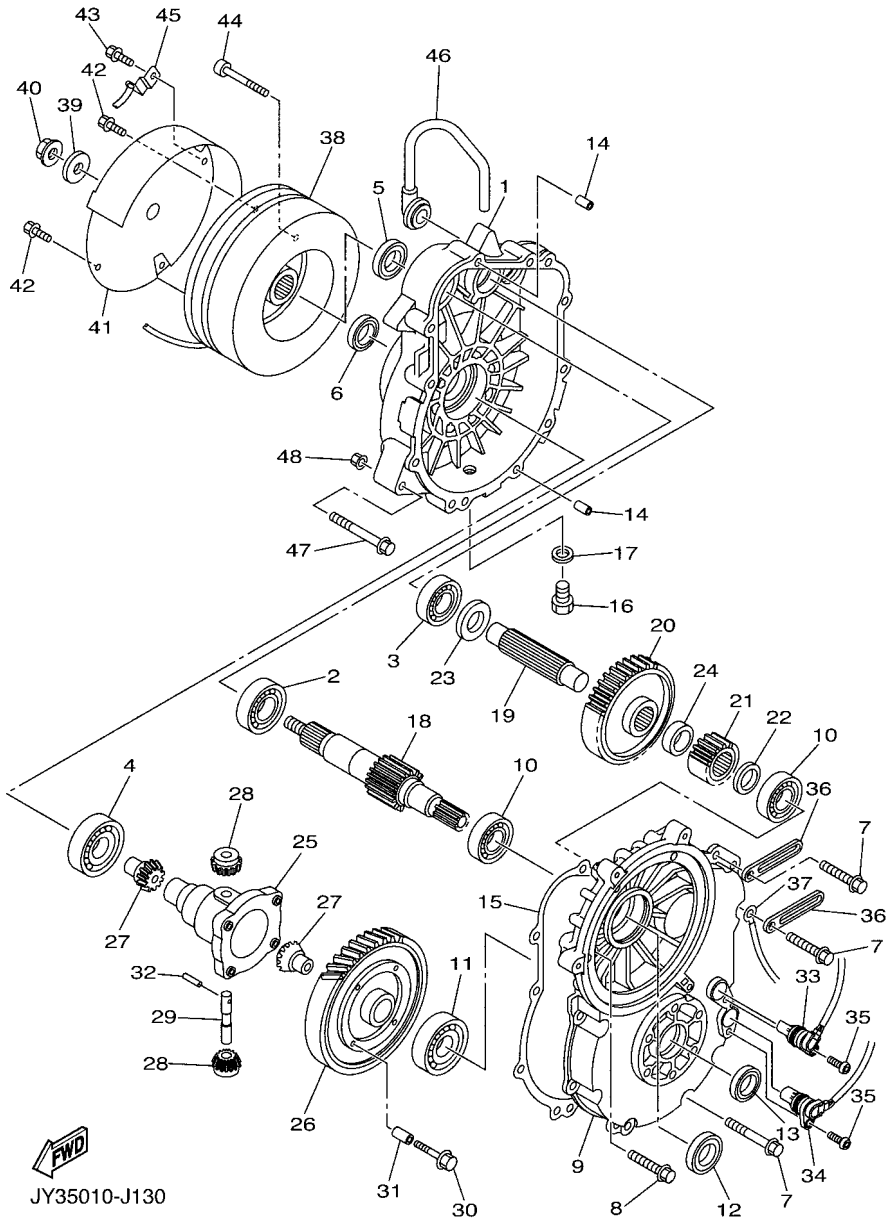
**FWD**  
JB21010-P220

FIG. 11 TRANSAXLE



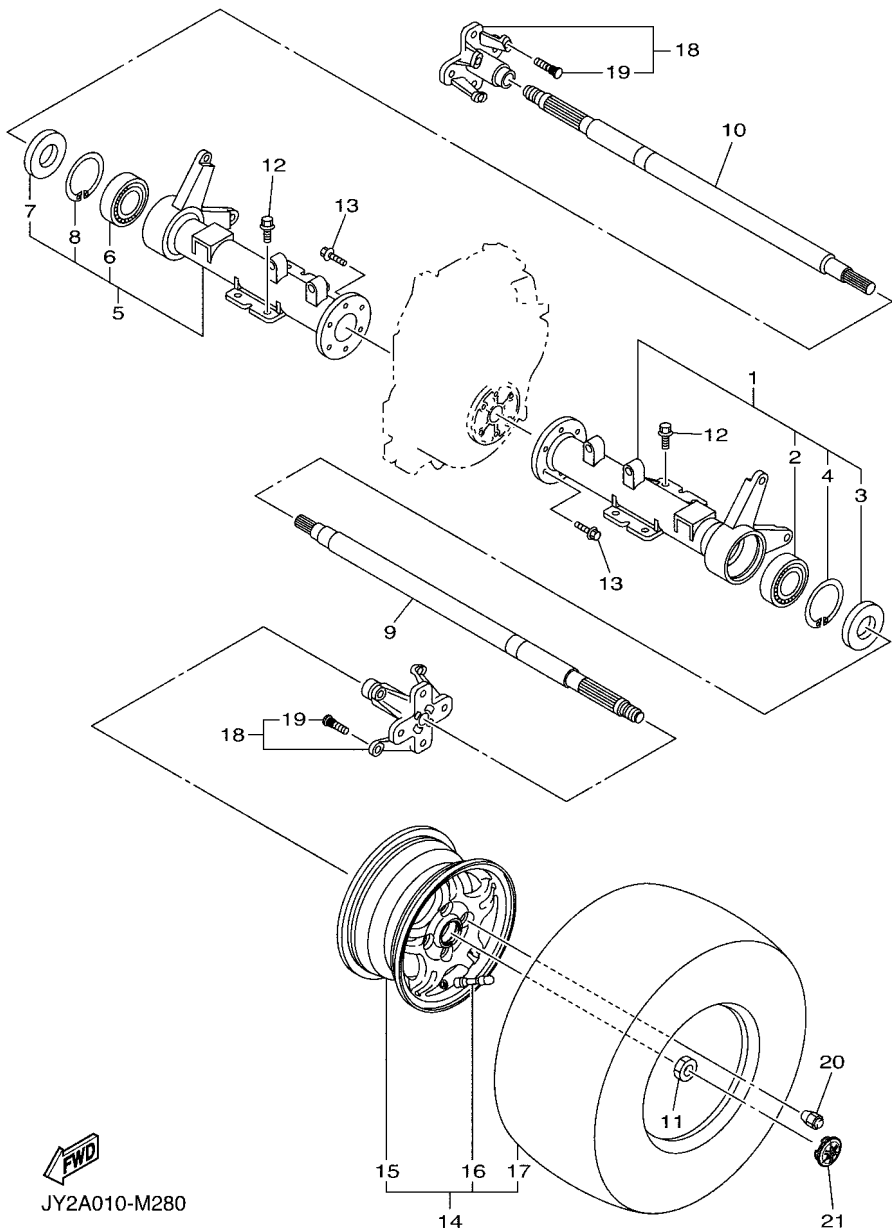
JY35010-J130

REF. NO.	PART NO.	DESCRIPTION	JB51				REMARKS
1	JY3-46311-00	CASE, TRANSMISSION 1	1				
2	93306-20501	BEARING	1				
3	93306-20401	BEARING	1				
4	93306-00803	BEARING	1				
5	93102-25017	OIL SEAL	1				
6	93102-25360	OIL SEAL	1				
7	95822-08040	BOLT, FLANGE	8				
8	95822-08050	BOLT, FLANGE	2				
9	JY3-46312-10	CASE, TRANSMISSION 2	1				
10	93306-20401	BEARING	2				
11	93306-00803	BEARING	1				
12	93102-20143	OIL SEAL	1				
13	93102-25360	OIL SEAL	1				
14	99530-12016	PIN, DOWEL	2				
15	JX3-46319-00	GASKET	1				
16	90340-14036	PLUG, STRAIGHT SCREW	1				
17	90430-14043	GASKET	1				
18	JB3-46321-00	SHAFT, INPUT	1				
19	JB3-46351-00	SHAFT, COUNTER	1				
20	JB3-46361-00	GEAR, COUNTER 1	1				
21	JB3-46362-00	GEAR, COUNTER 2	1				
22	90201-20032	WASHER, PLATE	1				
23	90201-20033	WASHER, PLATE	1				
24	90387-252M8	COLLAR	1				
25	JB2-46411-00	CASE, DIFFERENTIAL	1				
26	JB3-46421-00	GEAR, RING	1				
27	JB2-46414-00	GEAR, DIFFERENTIAL SIDE	2				



**FIG. 11 TRANSAXLE**

REF. NO.	PART NO.	DESCRIPTION	JB51				REMARKS
28	JB2-46415-00	PINION, DIFFERENTIAL	2				
29	JB2-46417-00	PIN, DIFFERENTIAL	1				
30	90105-10348	BOLT, FLANGE	4				
31	99530-14016	PIN, DOWEL	2				
32	91609-40040	PIN, SPRING	1				
33	JY3-86281-20	SENSOR, SPEED	1				
34	JY3-86281-30	SENSOR, SPEED	1				
35	91312-06016	BOLT	2				
36	90462-08007	CLAMP	2				
37	JY3-82519-00	WIRE, EARTH LEAD	1				
38	JX3-86290-00	ELECTRO MAGNETIC BRAKE ASSY	1				
39	90201-12195	WASHER, PLATE	1				
40	95602-12200	NUT, SELF-LOCKING	1				
41	JX2-8234W-01	COVER, CAP	1				
42	95802-06010	BOLT, FLANGE	2				
43	90105-06452	BOLT, FLANGE	1				
44	91317-08045	BOLT, HEX. SOCKET HEAD	3				
45	JY3-83688-00	SENSOR ASSY	1				
46	JN3-47559-00	CAP 2	1				
47	95812-08075	BOLT, FLANGE	1				
48	90179-08491	NUT	1				

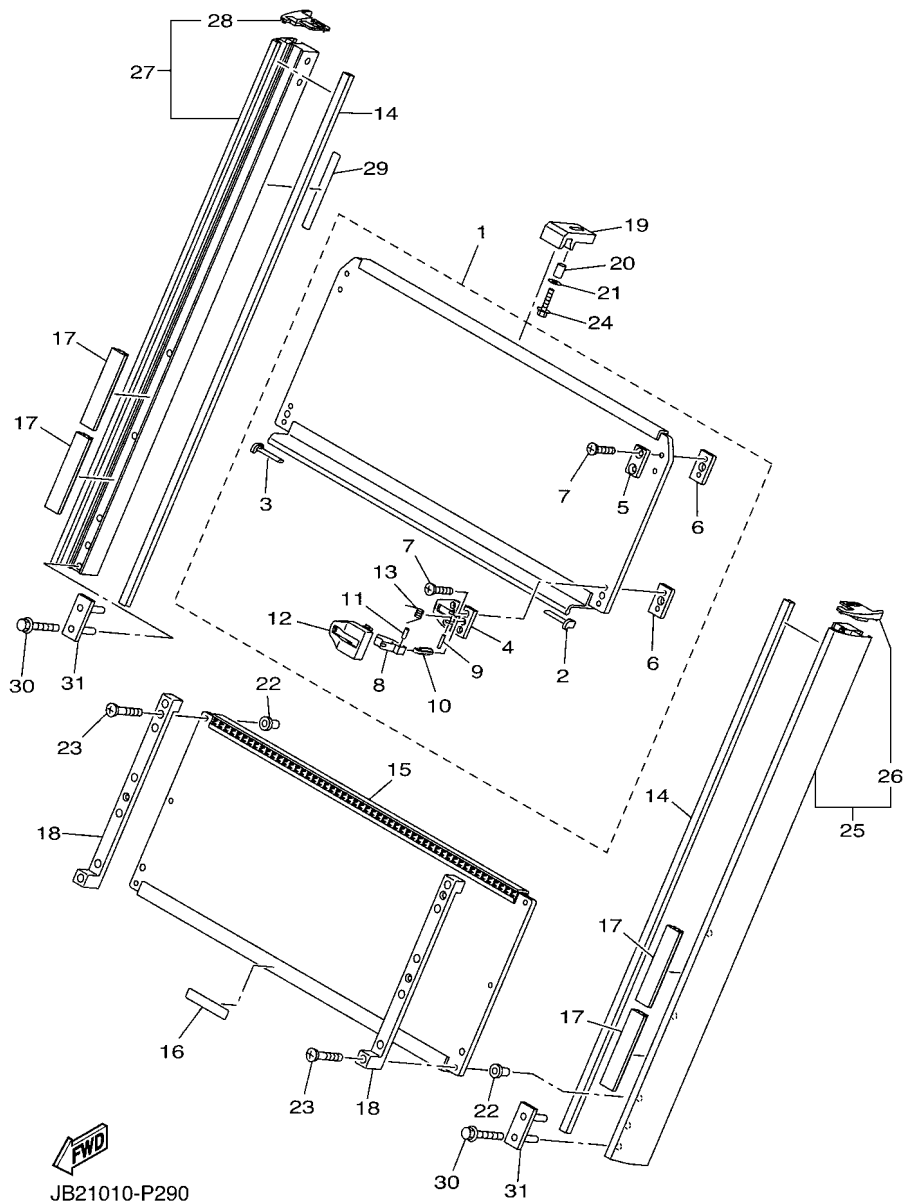


JY2A010-M280

FIG. 12 REAR AXLE & WHEEL

REF. NO.	PART NO.	DESCRIPTION	JBS1				REMARKS
1	JX2-46540-00	REAR AXLE HOUSING COMP.	1				
2	93306-30578	.BEARING	1				
3	93102-35109	.OIL SEAL (SD-35-62-6 HS)	1				
4	99009-62500	.CIRCLIP	1				
5	JX2-46550-00	REAR AXLE HOUSING COMP. 2	1				
6	93306-30578	.BEARING	1				
7	93102-35109	.OIL SEAL (SD-35-62-6 HS)	1				
8	99009-62500	.CIRCLIP	1				
9	JY2-46511-00	SHAFT, REAR AXLE 1 (L.H)	1				
10	JY2-46512-00	SHAFT, REAR AXLE 2 (R.H)	1				
11	90179-20016	NUT	2				
12	90101-10038	BOLT	8				
13	95812-10030	BOLT, FLANGE	12				
14	JY8-25100-30	AL WHEEL ASSY (190/50-12 6PR)	2				
15	JY8-25180-00	.WHEEL COMP. (ALUMINIUM)	1				
16	93900-00022	.VALVE, RIM (TR413)	1				TAIHEIYO
17	JY8-2510S-20	.TIRE (190/50-12 6PR KENDA)	1				
18	JB2-25310-00	HUB ASSY	2				
19	90114-10019	.BOLT, SERRATION	4				
20	90179-10031	NUT	8				
21	JY8-2512A-00	CAP, WHEEL	2				

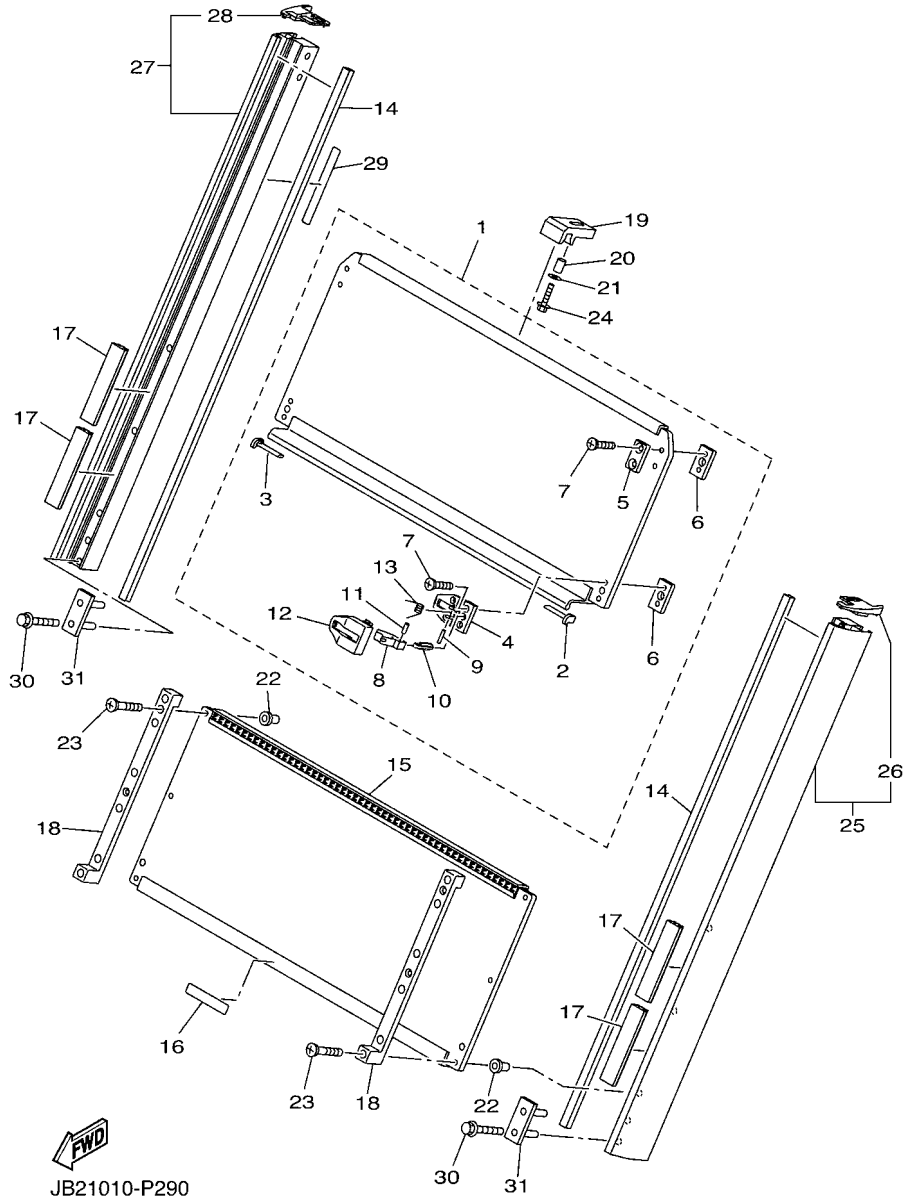
FIG. 13 WINDSHIELD(SPLIT TYPE)



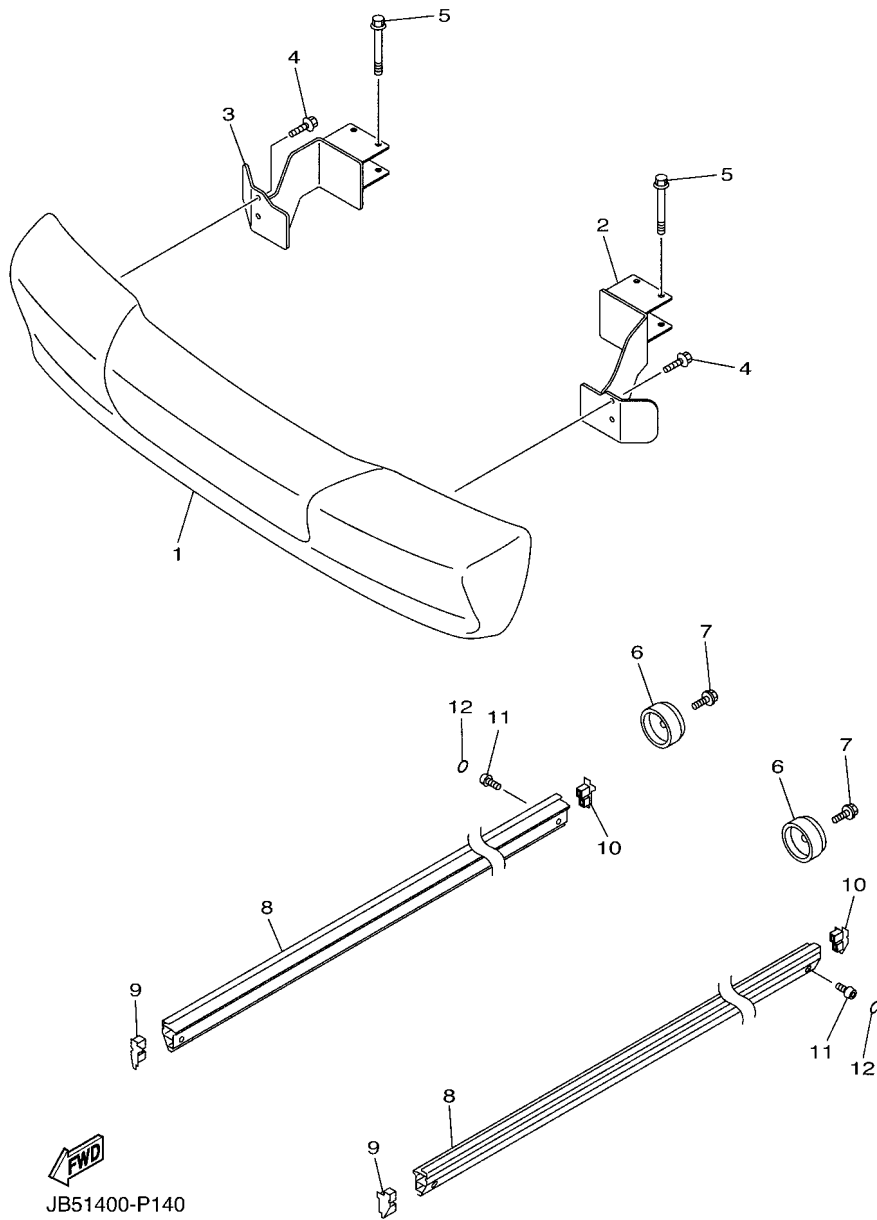
REF. NO.	PART NO.	DESCRIPTION	JB51		REMARKS
1	JB2-77201-00	UPPER WINDSHIELD ASSY	1		
2	JB2-77213-00	.TRIM, UPPER	1		
3	JB2-77214-00	.TRIM, LOWER	1		
4	JB2-77261-00	.LINING, SHROUD 1	2		
5	JB2-77262-00	.LINING, SHROUD 2	2		
6	JX4-77217-00	.NUT, WIND SHIELD	4		
7	98780-06014	.SCREW, FLAT HEAD	8		
8	JY3-77223-00	.FASTNER	2		
9	91690-20020	.PIN, SPRING	2		
10	JY2-77212-10	.BOLT, WIND SHIELD	2		
11	91690-30012	.PIN, SPRING	2		
12	JY3-77263-01	.LINING, SHROUD 3	2		
13	JY3-77174-00	.SPRING 1	2		
14	JB2-77233-00	TRIM, 7	2		
15	JB2-77202-00	LOWER WINDSHIELD ASSY	1		
16	JY4-77768-10	LABEL, WARNING 8	1		UR EXCEPT TWN
	JY4-77768-T0	LABEL, WARNING 8	1		UR TWN
17	JB2-77283-00	STRIPE 3	4		
18	JB2-77271-00	DAMPER, NOISE 11	2		
19	JB2-77275-00	DAMPER, NOISE 15	1		
20	90387-06553	COLLAR	1		
21	90201-06020	WASHER, PLATE	1		
22	90179-06020	NUT	6		
23	98780-06035	SCREW, FLAT HEAD	6		
24	95880-06025	BOLT, FLANGE	1		
25	JB2-7830A-00	ROOF SUPPORT ASSY 1	1		
26	JB2-7813F-00	.COVER, SIDE PILLAR (L.H)	1		



FIG. 13 WINDSHIELD(SPLIT TYPE)

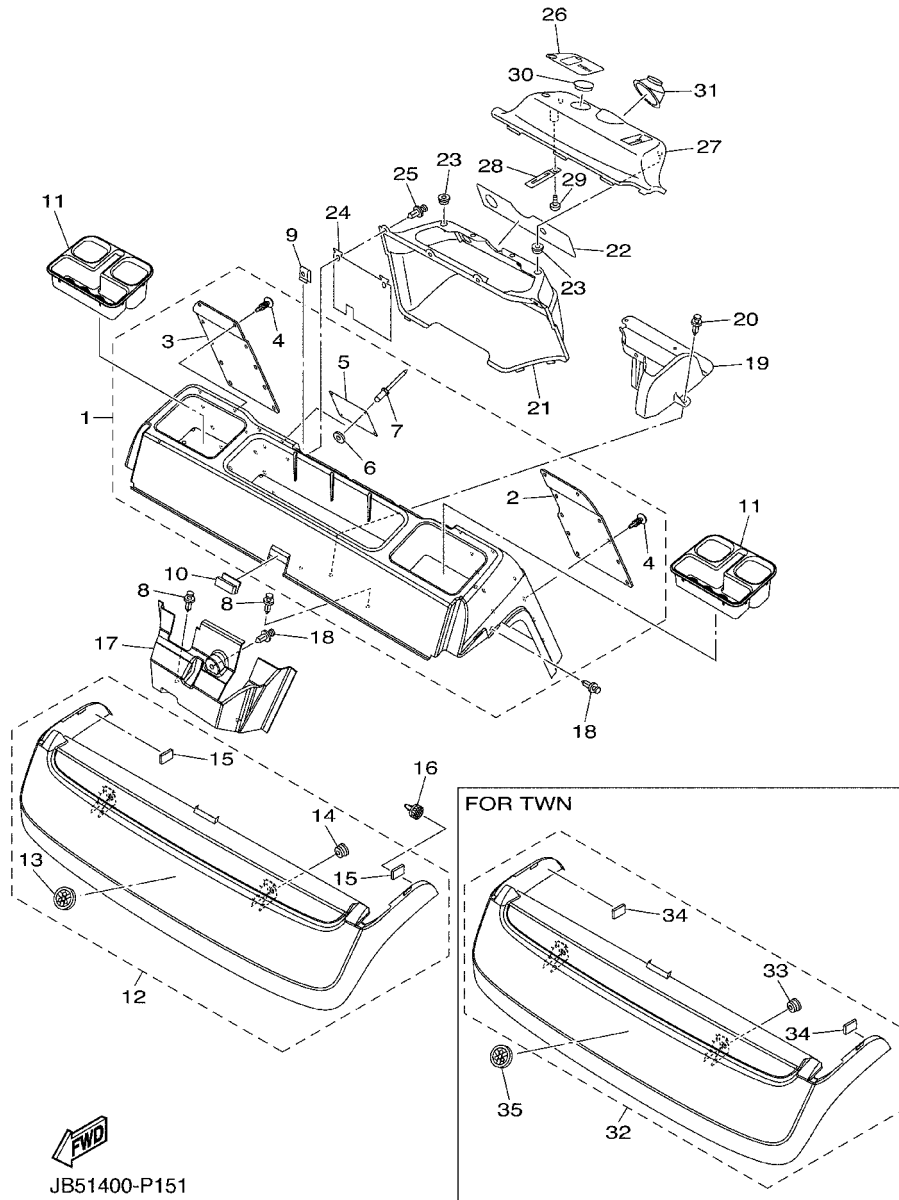


REF. NO.	PART NO.	DESCRIPTION	JB51		REMARKS
27	JB2-7830B-00	ROOF SUPPORT ASSY 2	1		
28	JB2-7813G-00	.COVER, SIDE PILLAR (R.H)	1		
29	JY2-7829A-20	PLATE, CAUTION	1		UR EXCEPT TWN
	JY2-7829A-T0	PLATE, CAUTION	1		UR TWN
30	95812-08055	BOLT, FLANGE	4		
31	JX4-7831L-00	REINFORCEMENT, ROOF SUPPORT 1	2		



**FIG. 14 BUMPER**

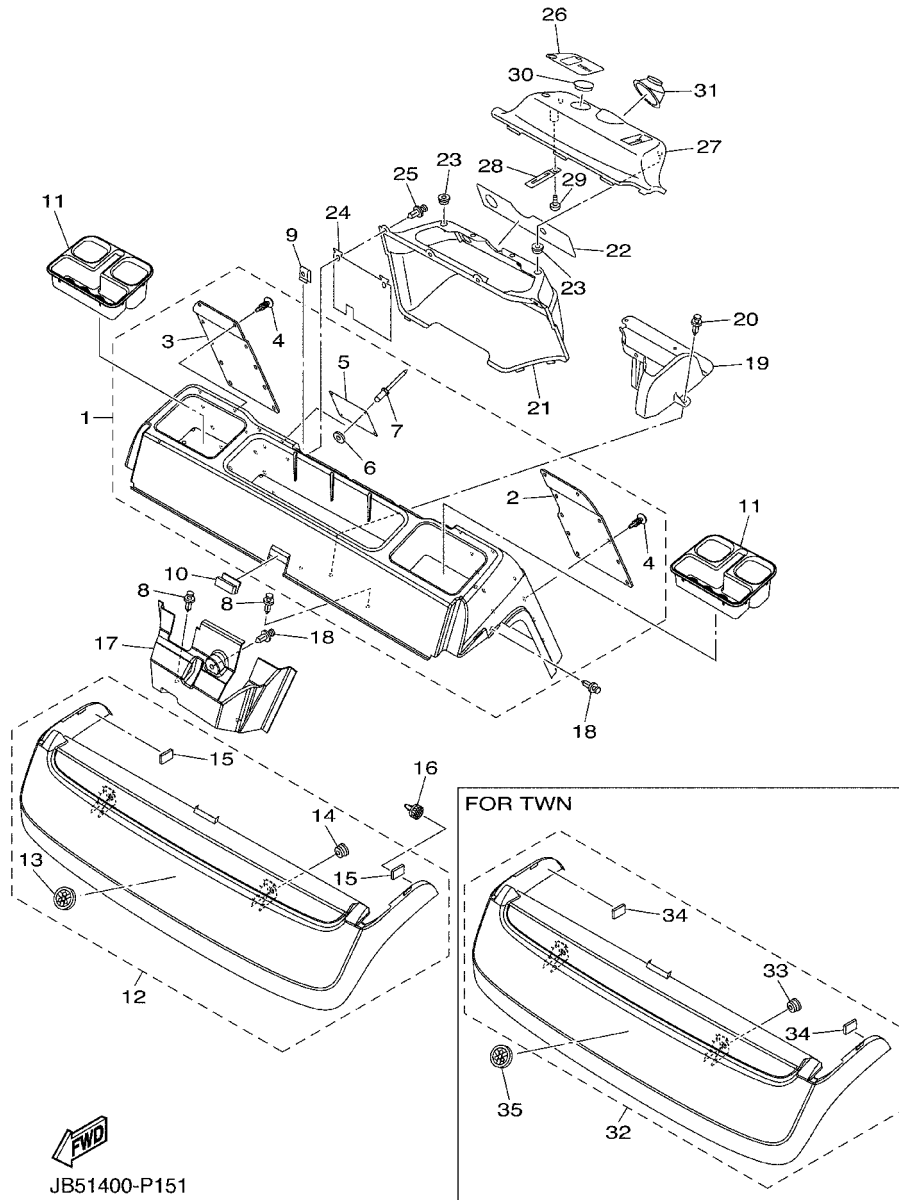
REF. NO.	PART NO.	DESCRIPTION	JB51				REMARKS
1	JB2-77510-00	FRONT BUMPER COMP.	1				
2	JX4-78164-00	STAY, FRONT BUMPER (L.H)	1				
3	JX4-78165-00	STAY, FRONT BUMPER (R.H)	1				
4	95822-06012	BOLT, FLANGE	4				
5	95827-08065	BOLT, FLANGE	4				
6	JX4-77520-00	BUMPER COMP 1	2				
7	95022-08025	BOLT, FLANGE	2				
8	JB2-78180-00	SIDE SILL PLATE ASSY	2				
9	JX4-7818E-00	.CAP, PROTECTOR END 1	1				
10	JX4-7818F-00	.CAP, PROTECTOR END 2	1				
11	92017-08016	BOLT, BUTTON HEAD	4				
12	JF7-77563-00	COVER, 3	4				



JB51400-P151

FIG. 15 BODY

REF. NO.	PART NO.	DESCRIPTION	JB51	REMARKS
1	JB5-78100-00	BODY SHELL PANEL ASSY	1	UR EXCEPT TWN
	JB8-78100-10	BODY SHELL PANEL ASSY	1	UR TWN
2	JB2-78243-00	.MAT, REAR BODY SIDE (LH)	1	
3	JB2-78244-00	.MAT, REAR BODY SIDE (RH)	1	
4	90269-07064	.RIVET	20	
5	JY2-78298-30	.PLATE, CAUTION 2	1	UR EXCEPT TWN
	JY2-78298-C0	.PLATE, CAUTION 2	1	UR TWN
6	90201-03313	.WASHER, PLATE	4	
7	90267-32004	.RIVET, BLIND	4	
8	90269-10005	RIVET	4	
9	JX4-7814H-00	HOOK, BODY LOCK	4	
10	JY2-78328-20	SPACER 1	1	
11	JX4-7835E-00	HOLDER, BEVERAGE	2	
12	JX4-78101-00	BODY SHELL PANEL SUB-ASSY 1	1	UR FOR RW UR EXCEPT TWN UR FOR DNGM3
	JX4-78101-60	BODY SHELL PANEL SUB-ASSY 1	1	UR EXCEPT TWN
	JX4-78101-20	BODY SHELL PANEL SUB-ASSY 1	1	UR FOR DRMD UR EXCEPT TWN
	JX4-78101-30	BODY SHELL PANEL SUB-ASSY 1	1	UR FOR DPBMC UR EXCEPT TWN
13	8AC-2414B-01	.EMBLEM	1	
14	90480-13398	.GROMMET	2	
15	JX4-77188-00	.STOPPER	2	
16	JX4-77157-00	PIN, HINGE	2	
17	JY2-78113-00	PANEL, SIDE	1	
18	90269-10005	RIVET	3	
19	JB2-27411-00	FOOTREST 1	1	
20	90269-10005	RIVET	2	
21	JB2-77711-00	PANEL, INSTRUMENT	1	
22	JB5-77741-00	INDICATOR 1	1	UR EXCEPT TWN



JB51400-P151

FIG. 15 BODY

REF. NO.	PART NO.	DESCRIPTION	JB51			REMARKS
22	JB6-77741-00	INDICATOR 1	1			UR TWN
23	90480-13567	GROMMET	2			
24	JX2-78181-00	PLATE 1	1			
25	90269-10005	RIVET	4			
26	JB9-77742-00	INDICATOR 2	1			
27	JB3-78139-00	CAP, END	1			
28	90462-05059	CLAMP	2			
29	97702-50014	SCREW, TAPPING	2			
30	JB6-7811V-00	PROTECTOR 1	1			
31	JX4-78273-00	COVER, HOLE	1			
32	JB8-78101-01	BODY SHELL PANEL SUB-ASSY 1	1			UR FOR RW
	JB8-78101-61	BODY SHELL PANEL SUB-ASSY 1	1			UR FOR TWN
	JB8-78101-21	BODY SHELL PANEL SUB-ASSY 1	1			UR FOR DNGM3
	JB8-78101-31	BODY SHELL PANEL SUB-ASSY 1	1			UR FOR TWN
	JB8-78101-21	BODY SHELL PANEL SUB-ASSY 1	1			UR FOR DRMD
	JB8-78101-31	BODY SHELL PANEL SUB-ASSY 1	1			UR FOR TWN
	JB8-78101-31	BODY SHELL PANEL SUB-ASSY 1	1			UR FOR DPBMC
	JB8-78101-31	BODY SHELL PANEL SUB-ASSY 1	1			UR FOR TWN
33	90480-13398	.GROMMET	2			
34	JX4-77188-00	.STOPPER	2			
35	8AC-2414B-01	EMBLEM	1			

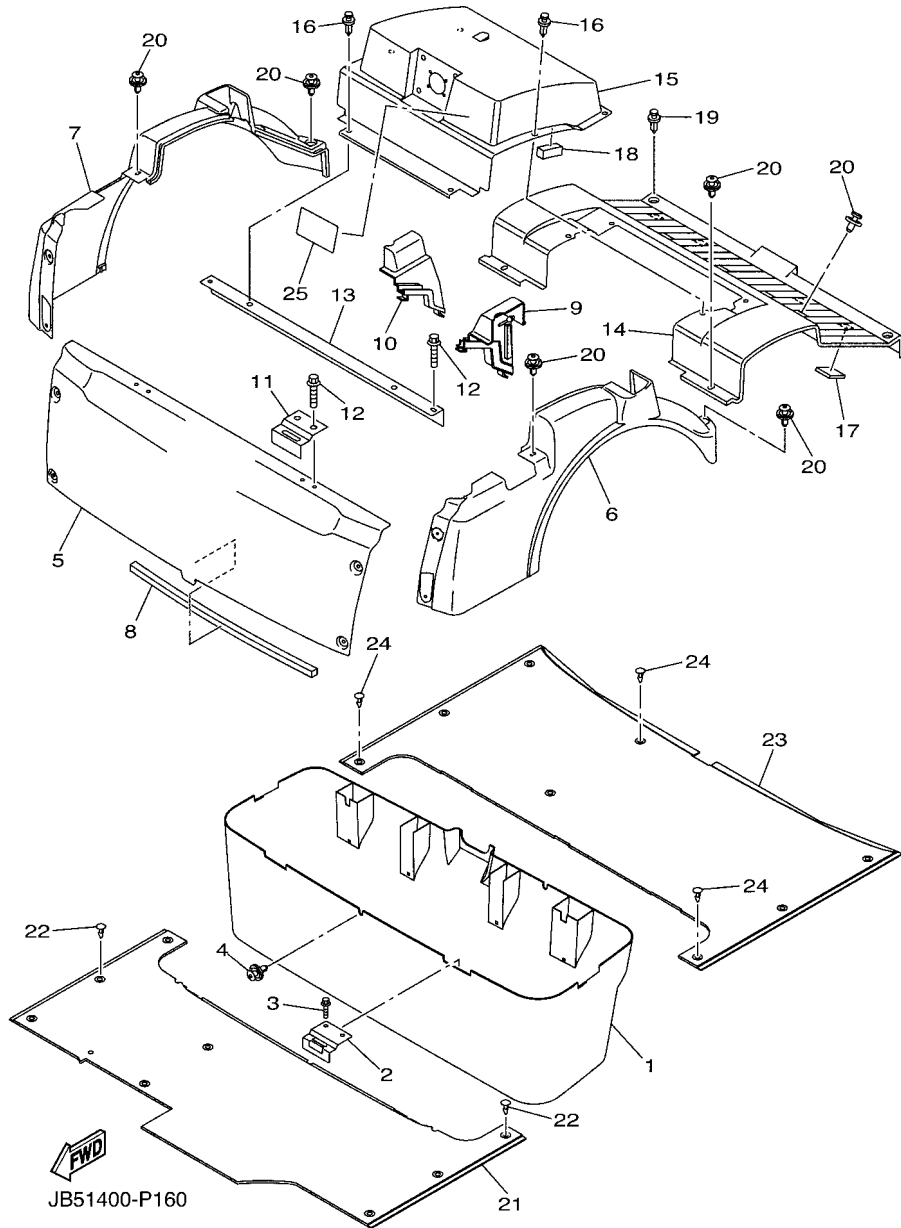
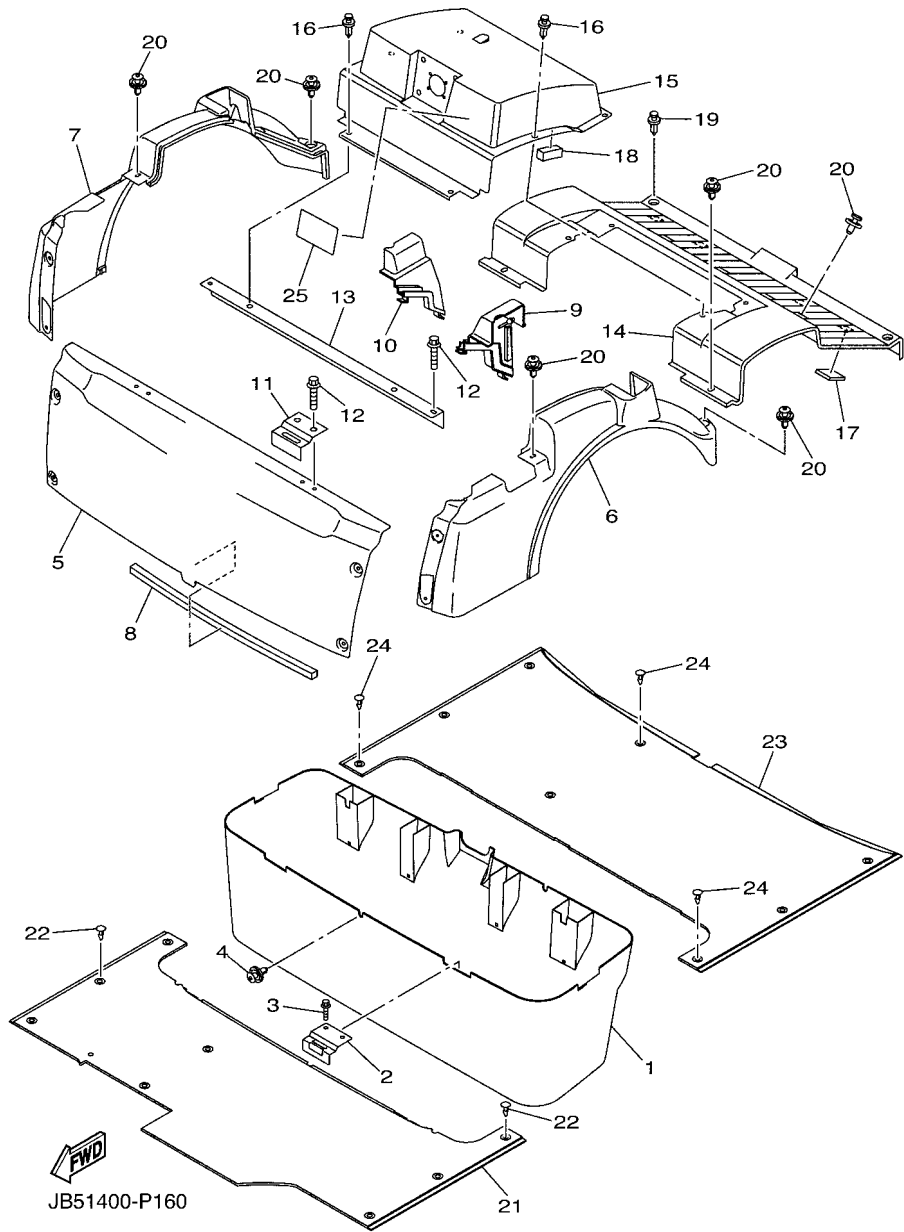


FIG. 16 BODY 2

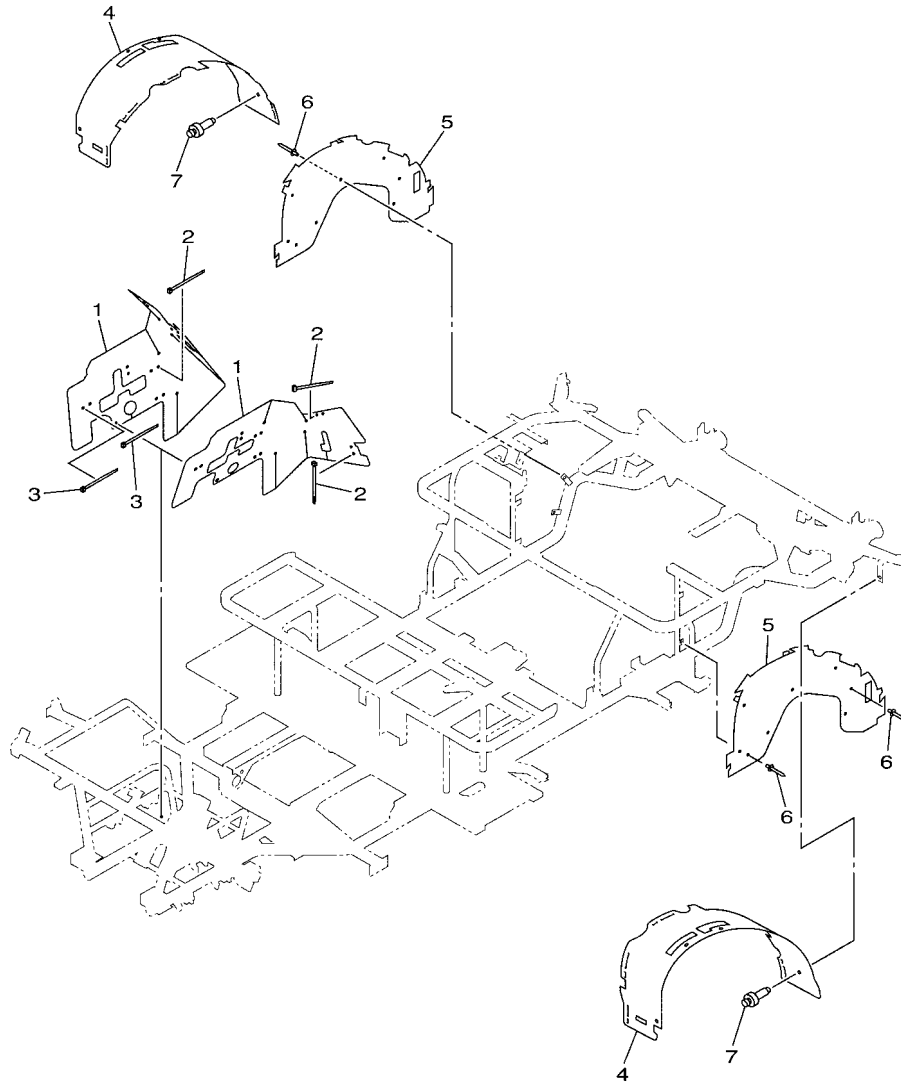
REF. NO.	PART NO.	DESCRIPTION	JB51		REMARKS
1	JB8-78141-00	PANEL, INTERMEDIATE BODY	1		UR FOR RW
	JB8-78141-60	PANEL, INTERMEDIATE BODY	1		UR FOR DNGM3
	JB8-78141-20	PANEL, INTERMEDIATE BODY	1		UR FOR DRMD
	JB8-78141-30	PANEL, INTERMEDIATE BODY	1		UR FOR DPBMC
2	JY2-78427-00	HINGE, SEAT 2	2		
3	95802-06030	BOLT, FLANGE	4		
4	90269-07010	RIVET	3		
5	JY2-78142-00	PANEL, REAR BODY	1		
6	JB3-78130-00	SHELL SIDE PANEL ASSY 1	1		UR FOR RW
	JB3-78130-60	SHELL SIDE PANEL ASSY 1	1		UR FOR DNGM3
	JB3-78130-20	SHELL SIDE PANEL ASSY 1	1		UR FOR DRMD
	JB3-78130-30	SHELL SIDE PANEL ASSY 1	1		UR FOR DPBMC
7	JB3-78140-00	SHELL SIDE PANEL ASSY 2	1		UR FOR RW
	JB3-78140-60	SHELL SIDE PANEL ASSY 2	1		UR FOR DNGM3
	JB3-78140-20	SHELL SIDE PANEL ASSY 2	1		UR FOR DRMD
	JB3-78140-30	SHELL SIDE PANEL ASSY 2	1		UR FOR DPBMC
8	JY3-78329-00	SPACER 2	1		
9	JX4-7832H-00	GROMMET, ROOF SUPPORT 3	1		
10	JX4-7833H-00	GROMMET, ROOF SUPPORT 4	1		
11	JX4-78427-00	HINGE, SEAT 2	2		
12	95802-06040	BOLT, FLANGE	6		
13	JX4-2254R-01	SUPPORT, BODY MOUNTING	1		
14	JY3-78150-10	INSPECTION LID ASSY	1		
15	JY3-7813H-00	COVER, VENTILATOR	1		
16	90269-10005	RIVET	6		
17	JX4-7814E-00	SEAL, BODY SIDE 1	4		
18	JY3-78305-00	DAMPER	1		



**FIG. 16 BODY 2**

REF. NO.	PART NO.	DESCRIPTION	JB51	REMARKS
19	90269-10005	RIVET	2	
20	90269-07010	RIVET	16	
21	JB8-78231-00	MAT, MAIN FLOOR 1	1	
22	90269-07064	RIVET	9	
23	JB8-78241-00	MAT, REAR FLOOR	1	
24	90269-07064	RIVET	8	
25	JT2-77766-20	LABEL, WARNING 6	1	UR EXCEPT TWN
	JT2-77766-T2	LABEL, WARNING 6	1	UR TWN

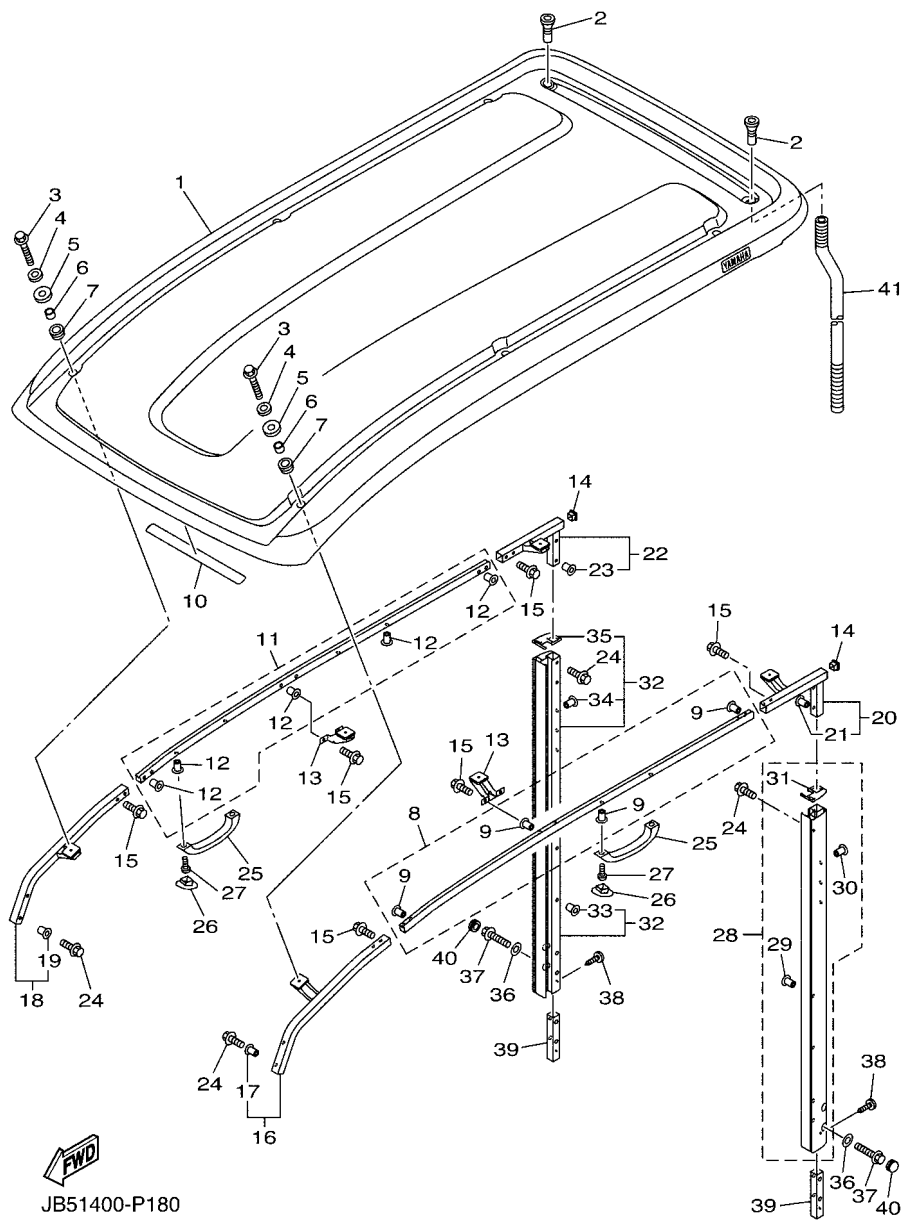
**FIG. 17 BODY FITTING**



JB31010-P190

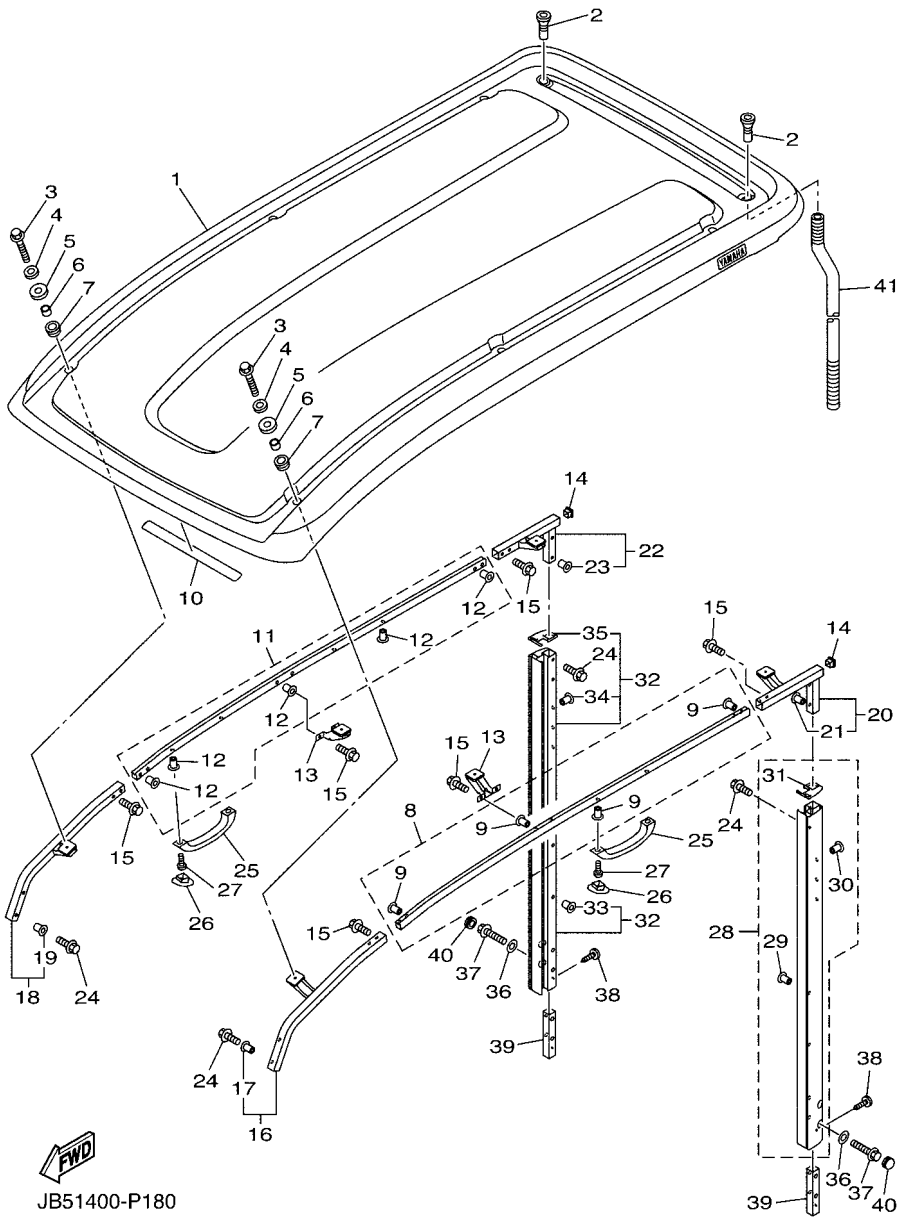
REF. NO.	PART NO.	DESCRIPTION	JB51				REMARKS
1	JB2-78187-00	FLAP, FRONT FENDER	2				
2	90465-13152	CLAMP	8				
3	90465-13275	CLAMP	4				
4	JB2-78191-00	PANEL, REAR FENDER 1	2				
5	JB2-78192-00	PANEL, REAR FENDER 2	2				
6	90267-48101	RIVET, BLIND	18				
7	90269-10005	RIVET	4				

FIG. 18 SUN ROOF



REF. NO.	PART NO.	DESCRIPTION	JB51	REMARKS
1	JB2-78314-00	COVER, SUN ROOF	1	
2	JX4-7832F-00	GROMMET, ROOF SUPPORT 1	2	
3	90105-06211	BOLT, FLANGE	6	
4	90201-06115	WASHER, PLATE	6	
5	90201-06116	WASHER, PLATE	6	
6	90387-15019	COLLAR	6	
7	90480-25004	GROMMET	6	
8	JB2-78392-00	MEMBER, ROOF FRAME	1	
9	90179-06636	.NUT	8	
10	JB5-78299-00	PLATE, CAUTION	1	UR EXCEPT TWN
	JB5-78299-T0	PLATE, CAUTION	1	UR TWN
11	JB2-78393-00	MEMBER, ROOF FRAME 2	1	
12	90179-06636	.NUT	10	
13	JB2-7833K-00	BRACKET, ROOF REAR	2	
14	JX7-7836H-00	CAP, BAG SUPPORT	2	
15	95880-06016	BOLT, FLANGE	12	
16	JB2-7830E-00	SUNROOF PIPE ASSY 1	1	
17	90179-06021	.NUT	2	
18	JB2-7830E-10	SUNROOF PIPE ASSY 1	1	
19	90179-06021	.NUT	2	
20	JB2-7830F-00	SUNROOF PIPE ASSY 2	1	
21	90179-06021	.NUT	2	
22	JB2-7830F-10	SUNROOF PIPE ASSY 2	1	
23	90179-06021	.NUT	2	
24	95880-06020	BOLT, FLANGE	8	
25	JF7-78214-00	GRIP, HAND	3	
26	J50-78274-10	COVER, HOLE 2	6	

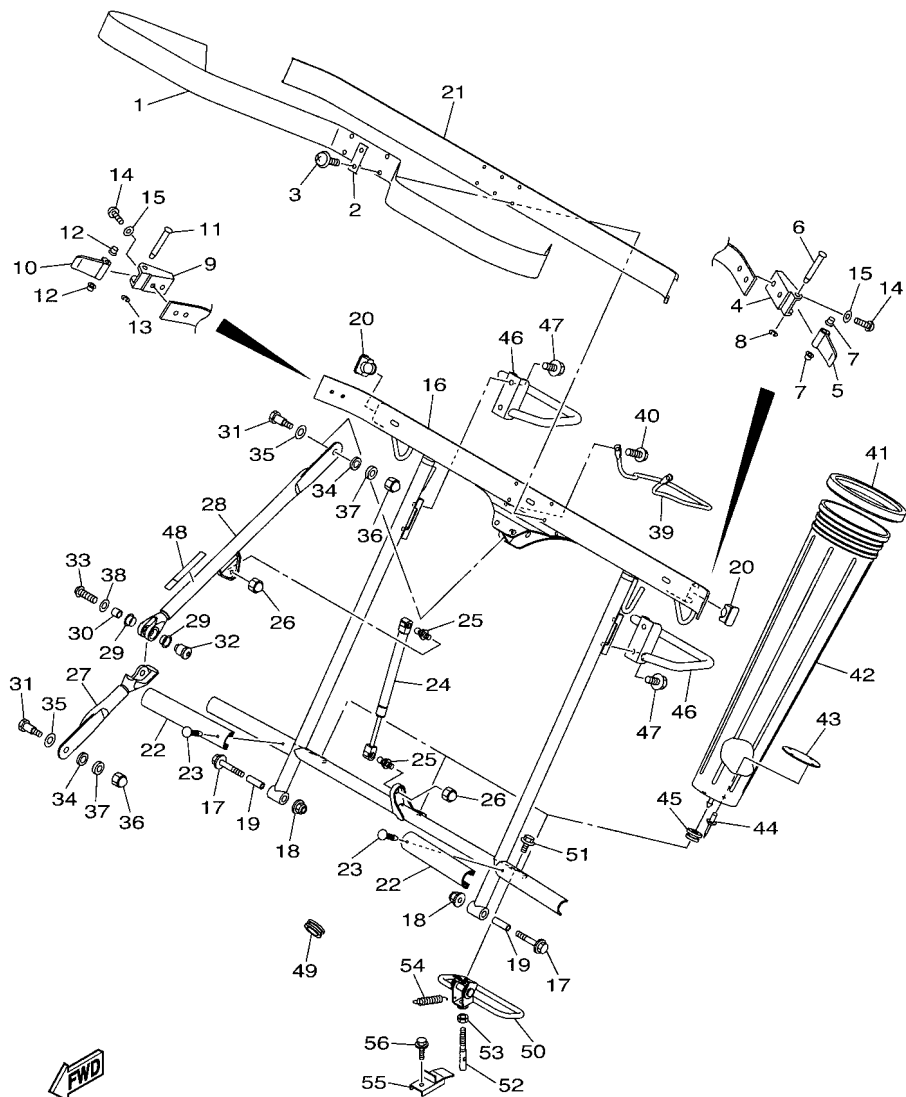




**FIG. 18 SUN ROOF**

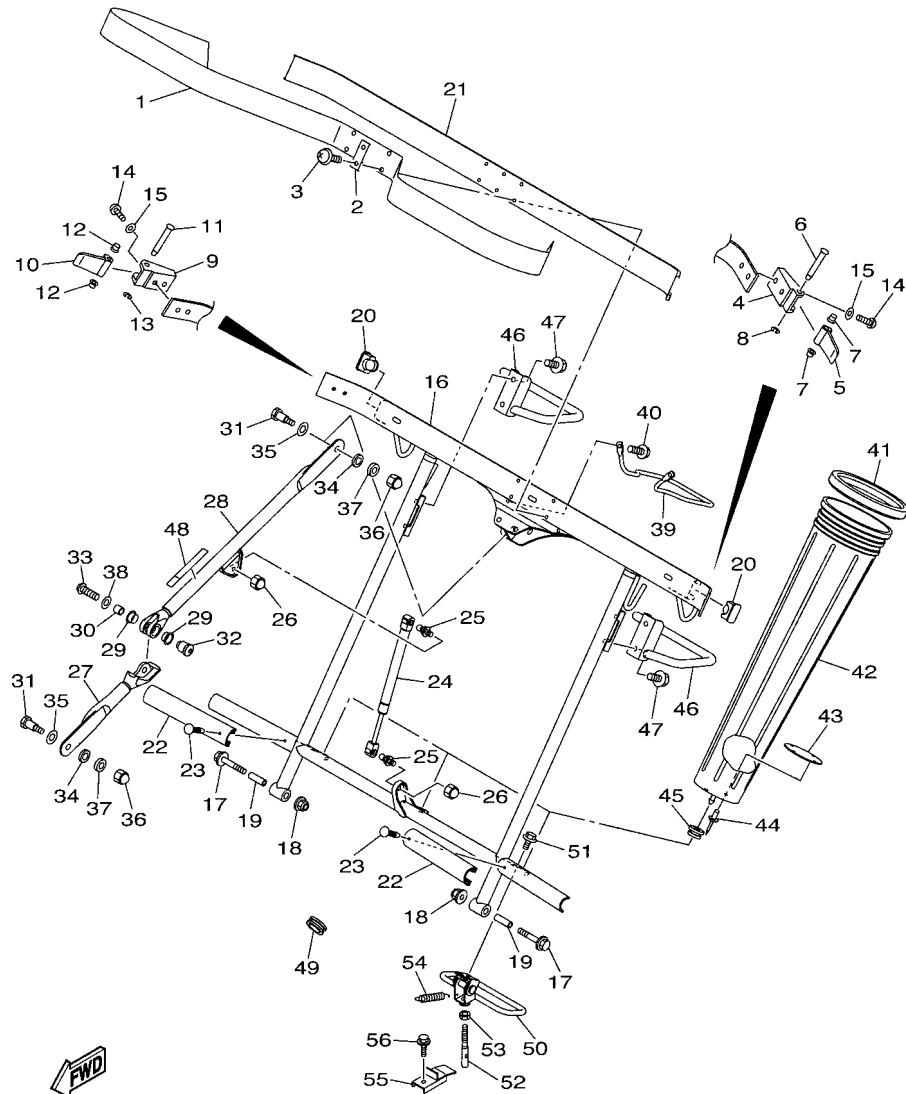
REF. NO.	PART NO.	DESCRIPTION	JB51				REMARKS
27	90157-06068	SCREW, PAN HEAD	6				
28	JB2-7830C-00	ROOF SUPPORT ASSY 3	1				
29	90179-08689	.NUT	2				
30	90179-06059	.NUT	3				
31	JB2-7817F-00	.COVER, REAR PILLER (L.H)	1				
32	JB2-7830D-00	ROOF SUPPORT ASSY 4	1				
33	90179-08689	.NUT	2				
34	90179-06059	.NUT	3				
35	JB2-7817G-00	.COVER, REAR PILLER (R.H)	1				
36	90201-08730	WASHER, PLATE	4				
37	95812-08055	BOLT, FLANGE	4				
38	90269-06003	RIVET	2				
39	JB2-7831N-00	REINFORCEMENT, ROOF SUPPORT 3	2				
40	90338-24204	PLUG	2				
41	JX4-78334-01	HOSE	2				

FIG. 19 CARRIER(MOVABLE)



JB21010-P350

REF. NO.	PART NO.	DESCRIPTION	JB51				REMARKS
1	JY2-78355-00	BAND	1				
2	JF7-78367-00	PLATE, ANCHOR	2				
3	90159-06055	SCREW, WITH WASHER	4				
4	J17-78157-01	BASE, LOCK	1				
5	J17-78368-01	LEVER, LOCK	1				
6	J17-78369-00	PIN, LEVER	1				
7	90386-06108	BUSH	2				
8	99080-05600	CIRCLIP	1				
9	J17-78157-01	BASE, LOCK	1				
10	J17-78368-01	LEVER, LOCK	1				
11	J17-78369-00	PIN, LEVER	1				
12	90386-06108	BUSH	2				
13	99080-05600	CIRCLIP	1				
14	90157-06011	SCREW, PAN HEAD	4				
15	90201-06106	WASHER, PLATE	4				
16	JB2-7835J-00	SUPPORT, BAG LOWER 3	1				
17	95812-08060	BOLT, FLANGE	2				
18	95602-08200	NUT, U FLANGE	2				
19	90387-08031	COLLAR	2				
20	JX4-7836H-00	CAP, BAG SUPPORT	2				
21	JB2-78356-00	PAD, BAG SUPPORT	1				
22	JX4-78364-00	PAD, BAG SUPPORT 3	2				
23	90269-05055	RIVET	2				
24	JY2-28415-00	DAMPER 1	1				
25	JY2-2474E-00	ARM	2				
26	95307-08800	NUT	2				
27	JB2-78375-00	SUPPORT 1	1				



JB21010-P350

FIG. 19 CARRIER(MOVABLE)

REF. NO.	PART NO.	DESCRIPTION	JB51	REMARKS
28	JB2-78376-00	SUPPORT 2	1	
29	90381-18002	BUSH, SOLID	2	
30	90387-12053	COLLAR	1	
31	90109-10473	BOLT	2	
32	JB2-78145-00	NUT, REAR BODY MOUNTING	1	
33	90111-08013	BOLT,HEX. SOCKET BUTTON	1	
34	90201-122H1	WASHER, PLATE	2	
35	90201-120T5	WASHER, PLATE	2	
36	95307-10800	NUT	2	
37	90201-102J5	WASHER, PLATE	2	
38	90201-08101	WASHER, PLATE	1	
39	JB2-78323-00	BRACKET 1	1	
40	95024-06016	BOLT, FLG.(SMALL HEAD)	2	
41	JY2-78374-00	TRIM, UPPER	3	
42	JT4-78389-00	CASE 2	3	
43	JR4-7835N-00	PLATE, BACK-UP	3	
44	90267-48085	RIVET, BLIND	6	
45	90480-08216	GROMMET	3	
46	JB2-78358-00	HOLDER 2	2	
47	95802-08012	BOLT, FLANGE	4	
48	JY2-78483-30	LABEL WARNING	1	UR EXCEPT TWN
	JY2-78483-T0	LABEL WARNING	1	UR TWN
49	90338-15004	PLUG	1	
50	JY2-78380-00	LOCK ASSY	1	
51	95880-06012	BOLT, FLANGE	2	
52	JY2-78369-00	PIN, LEVER	1	
53	95380-08600	NUT	1	



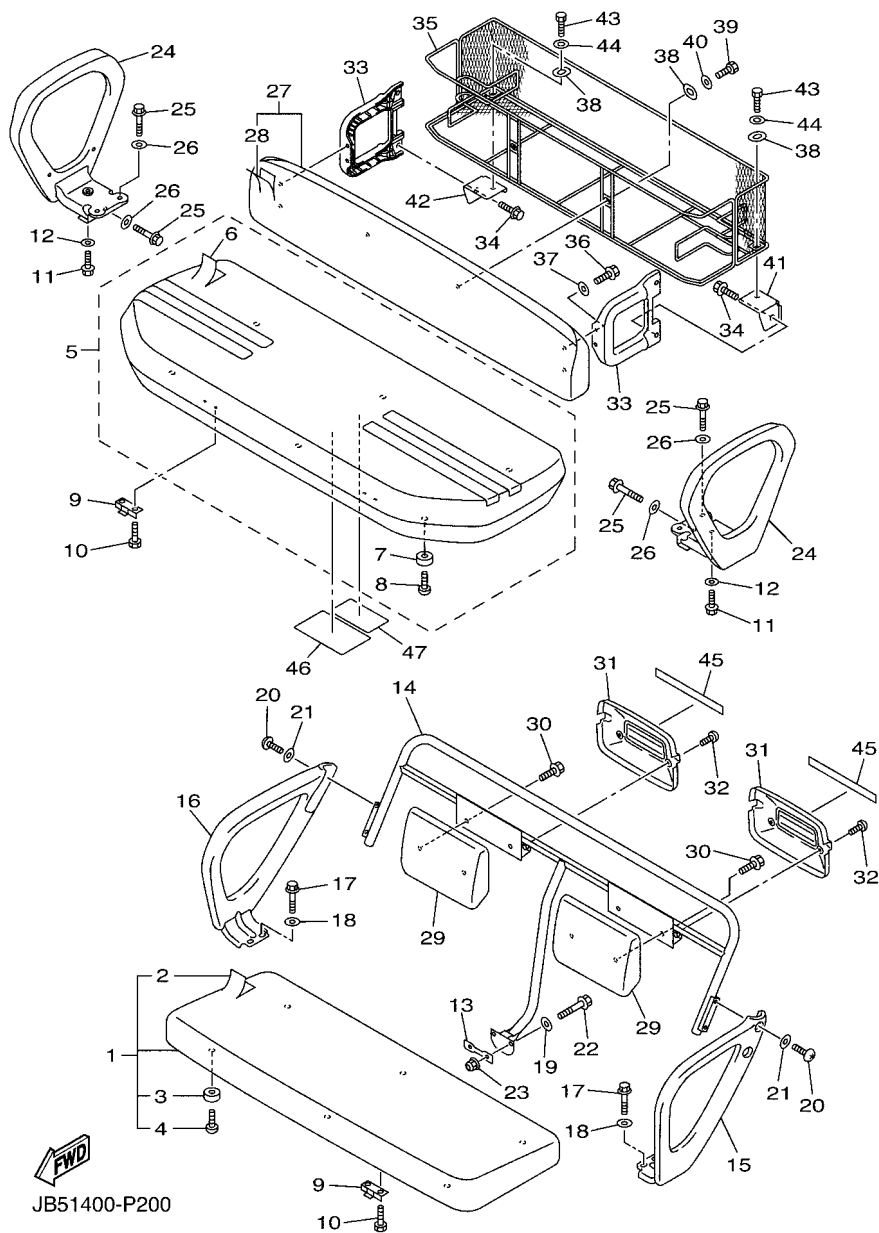
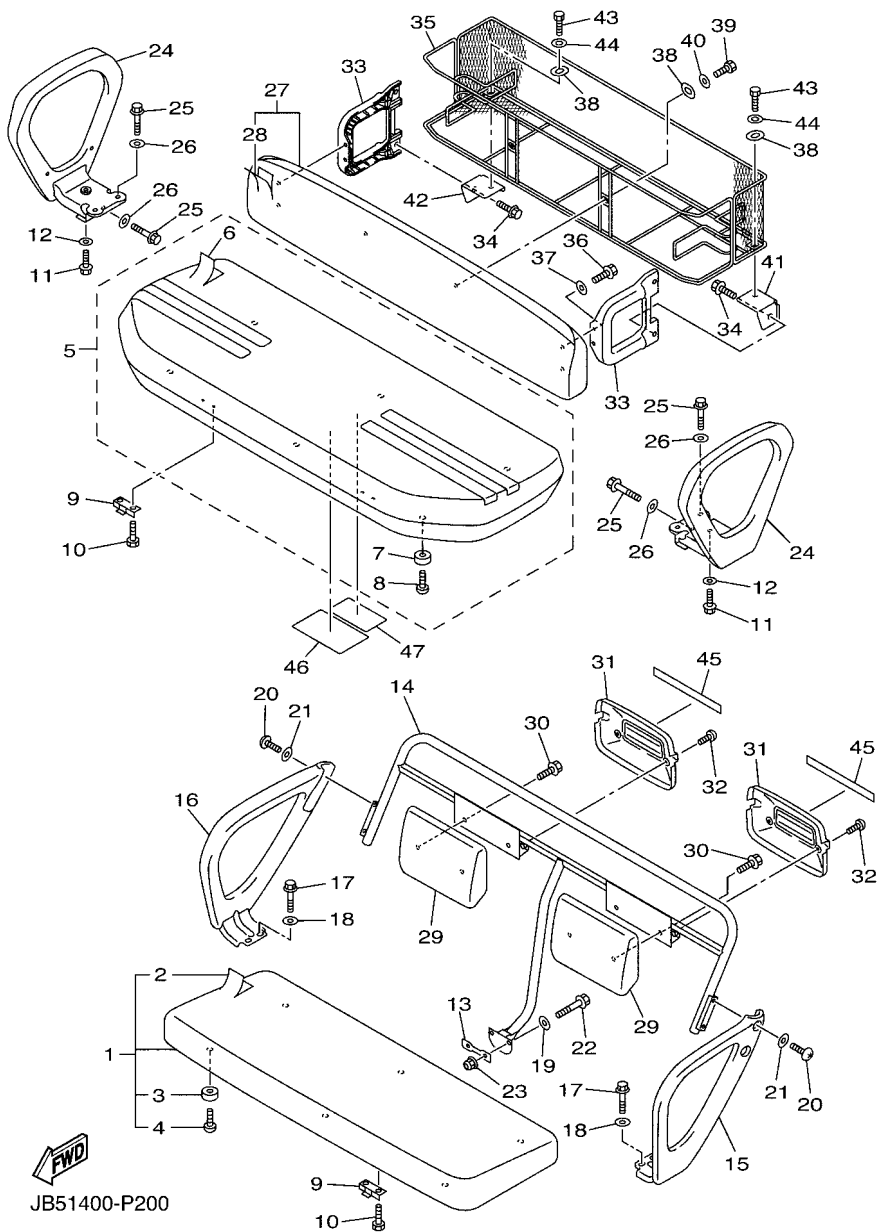


FIG. 20 SEAT

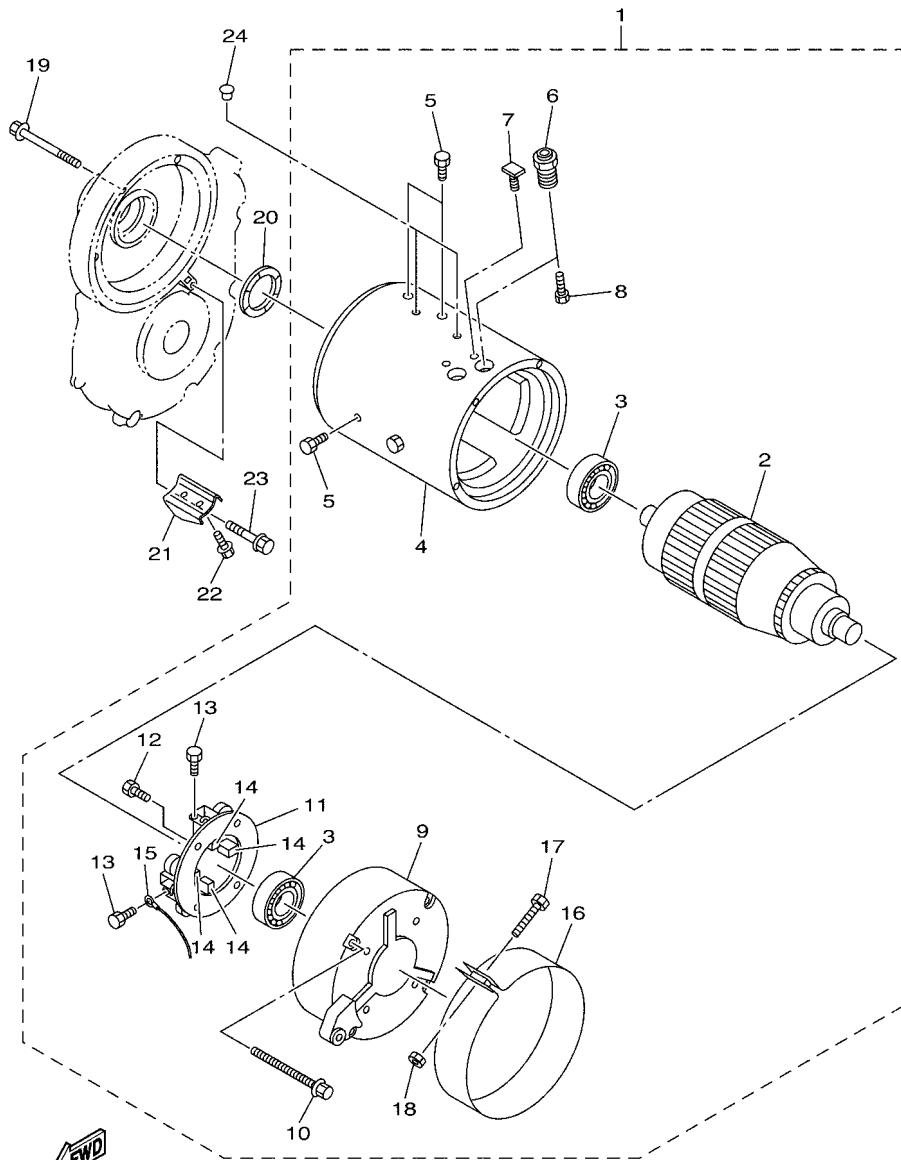
REF. NO.	PART NO.	DESCRIPTION	JB51				REMARKS
1	JB8-78410-00	SEAT ASSY	1				
2	JB8-78405-00	.COVER, SEAT	1				
3	JF7-78433-00	.DAMPER, SEAT SUPPORT	6				
4	97702-50016	.SCREW, TAPPING	6				
5	JB8-78420-00	SEAT ASSY 2	1				
6	JB8-78404-00	.COVER, SEAT	1				
7	JF7-78433-00	.DAMPER, SEAT SUPPORT	6				
8	97702-50016	.SCREW, TAPPING	6				
9	JR7-78426-00	HINGE, SEAT 1	4				
10	97022-06025	BOLT, HEXAGON	8				
11	95807-06020	BOLT, FLANGE	2				
12	92902-08200	WASHER	2				
13	JB2-78439-00	WASHER, SEAT	1				
14	JB8-78423-00	SUPPORT, SEAT BACK	1				
15	JB8-78362-00	ARM REST 2	1				
16	JB8-7836L-00	ARM REST 3	1				
17	90105-08096	BOLT, FLANGE	4				
18	90201-08730	WASHER, PLATE	4				
19	92902-08200	WASHER	2				
20	90149-08291	SCREW	4				
21	90201-08026	WASHER, PLATE	4				
22	90105-08198	BOLT, FLANGE	2				
23	95602-08200	NUT, U FLANGE	2				
24	JB8-78361-00	ARM REST 1	2				
25	90105-08252	BOLT, FLANGE	6				
26	90201-08730	WASHER, PLATE	6				
27	JB8-78407-00	REAR SEAT SUB-ASSY, BACK	1				



JB51400-P200

FIG. 20 SEAT

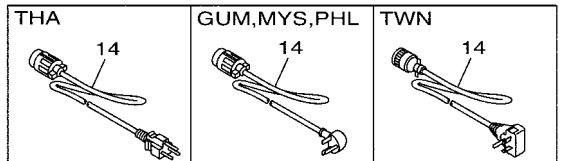
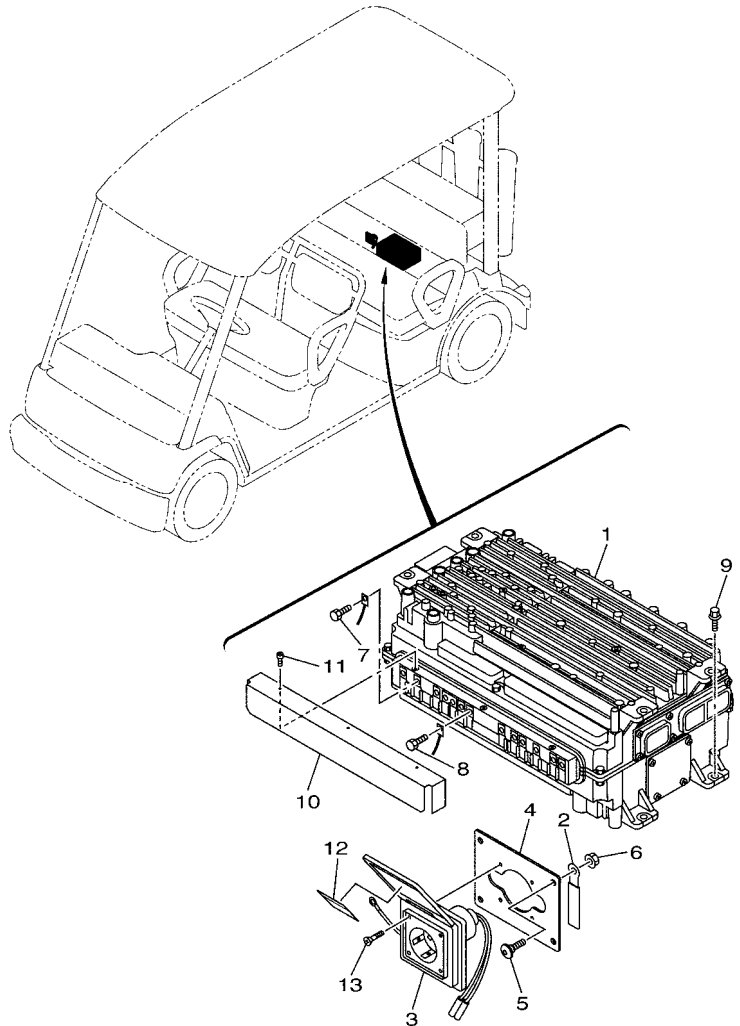
REF. NO.	PART NO.	DESCRIPTION	JB51		REMARKS
28	JB8-78418-00	.COVER, SEAT	1		
29	JR7-78402-01	SEAT SUB ASSY, BACK	2		
30	95802-06016	BOLT, FLANGE	4		
31	JB6-78413-00	COVER, SEAT BACK	2		
32	98980-06012	SCREW, BIND	4		
33	JY2-78484-00	SUPPORT, SEAT 1	2		
34	95880-08025	BOLT, FLANGE	4		
35	JY2-7810M-00	REAR STORAGE BOX COMP.	1		
36	95880-06020	BOLT, FLANGE	4		
37	90201-06019	WASHER, PLATE	4		
38	JY2-78478-00	WASHER, PLATE	4		
39	97080-06020	BOLT	2		
40	90201-06049	WASHER, PLATE	2		
41	JX4-7842F-00	SUPPORT, SEAT (L.H)	1		
42	JX4-7842G-00	SUPPORT, SEAT (R.H)	1		
43	97080-06016	BOLT	2		
44	90201-06049	WASHER, PLATE	2		
45	JX4-78297-01	PLATE, CAUTION 1	2		UR EXCEPT TWN
	JR7-78297-T0	PLATE, CAUTION 1	1		UR TWN
46	JY8-77765-20	LABEL, WARNING 5	1		UR EXCEPT TWN
	JY8-77765-T1	LABEL, WARNING 5	1		UR TWN
47	JX5-78297-11	PLATE, CAUTION 1	1		UR EXCEPT TWN
	JX5-78297-T0	PLATE, CAUTION 1	1		UR TWN



JX31010-D231

FIG. 21 ELECTRIC MOTOR

REF. NO.	PART NO.	DESCRIPTION	JBS1				REMARKS
1	JY8-81890-02	MOTOR ASSY	1				
2	JT2-81150-00	.ARMATURE ASSY	1				
3	JT2-81157-00	.BEARING 1	2				
4	JX3-81160-00	.FIELD COIL ASSY	1				
5	JT2-81152-00	.BOLT	8				
6	JT2-83325-00	.BOLT, STUD	4				
7	JT2-81135-00	.SCREW, STATOR	4				
8	JT2-81252-00	.BOLT	4				
9	JX3-81822-00	.BRACKET, STARTING MOTOR	1				
10	JT2-81352-00	.BOLT	4				
11	JT2-8184J-00	.HOLDER, BRUSH	1				
12	JT2-81452-00	.BOLT	4				
13	JT2-81652-00	.BOLT	4				
14	JT2-81811-00	.BRUSH 1	4				
15	JT2-81218-00	.TERMINAL	2				
16	JY8-81129-00	.COVER, BRUSH	1				
17	JT2-81552-00	.BOLT	1				
18	JT2-81353-00	.NUT	1				
19	95812-06050	BOLT, FLANGE	3				
20	90206-38001	WASHER, WAVE	1				
21	JX3-81823-00	STAY, STARTING MOTOR	1				
22	95822-08014	BOLT, FLANGE	2				
23	95812-08035	BOLT, FLANGE	1				
24	90338-08174	PLUG	2				



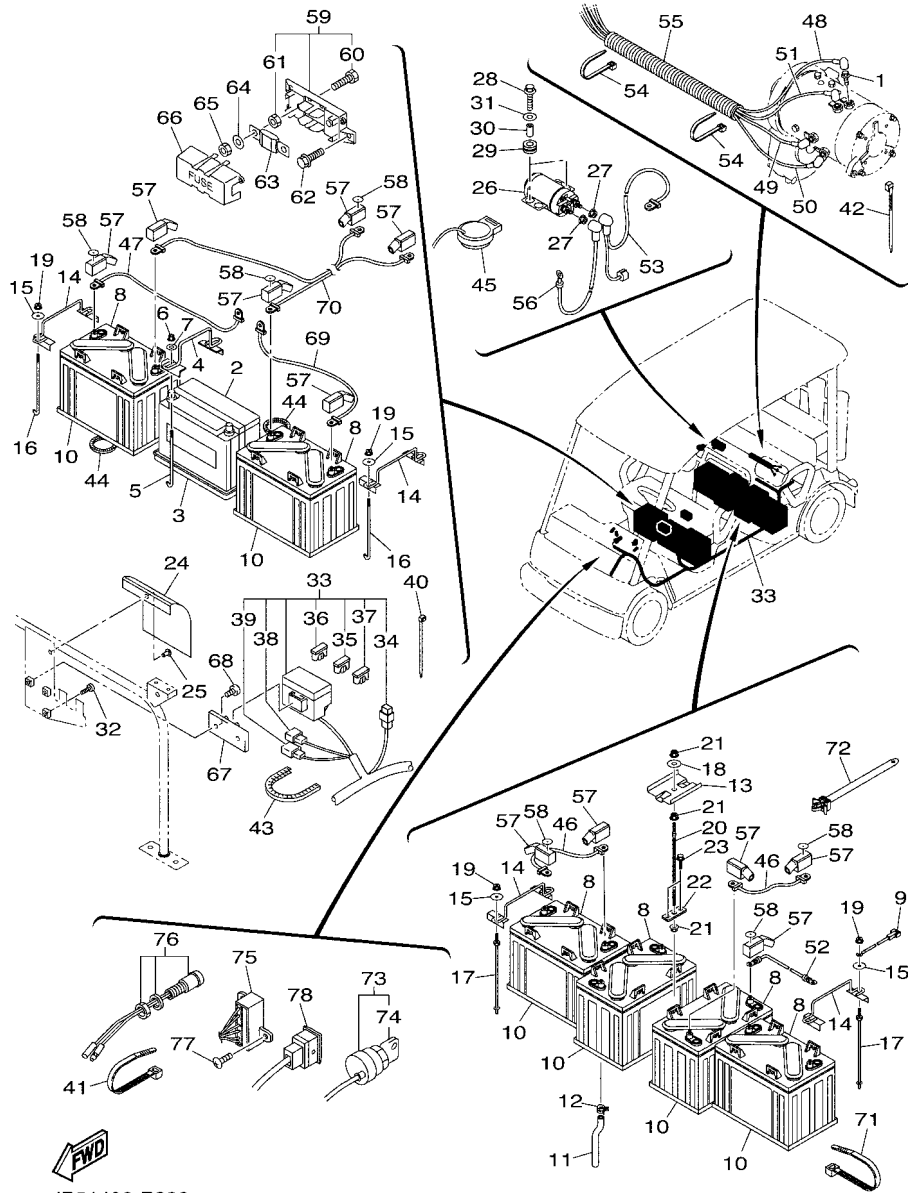
JB51400-P221

**FIG. 22 CONTROL UNIT**

REF. NO.	PART NO.	DESCRIPTION	JB51			REMARKS
1	JB4-8A210-00	CONTROL UNIT	1			
2	90462-06007	CLAMP	1			
3	JY3-87214-00	RECEPTACLE COMP.	1			
4	JY3-86182-00	STAY, RECEPTACLE	1			
5	90150-06015	SCREW, ROUND HEAD	4			
6	95602-06200	NUT, SELF-LOCKING	1			
7	95022-06012	BOLT, FLANGE	7			
8	97022-05012	BOLT, HEXAGON	6			
9	95822-06016	BOLT, FLANGE	4			
10	JY3-86514-00	COVER, CONTROL	1			
11	97707-30110	SCREW, TAPPING	2			
12	JT2-88109-20	LABEL, CAUTION	1			UR EXCEPT TWN
	JT2-88109-T0	LABEL, CAUTION	1			UR TWN
13	98780-04025	SCREW, FLAT HEAD	4			
14	JY1-81962-00	CORD COMP.	1			UR THA
	JY3-81962-10	CORD COMP.	1			UR GUM,MYS,PHL
	JY8-81962-00	CORD COMP.	1			UR TWN

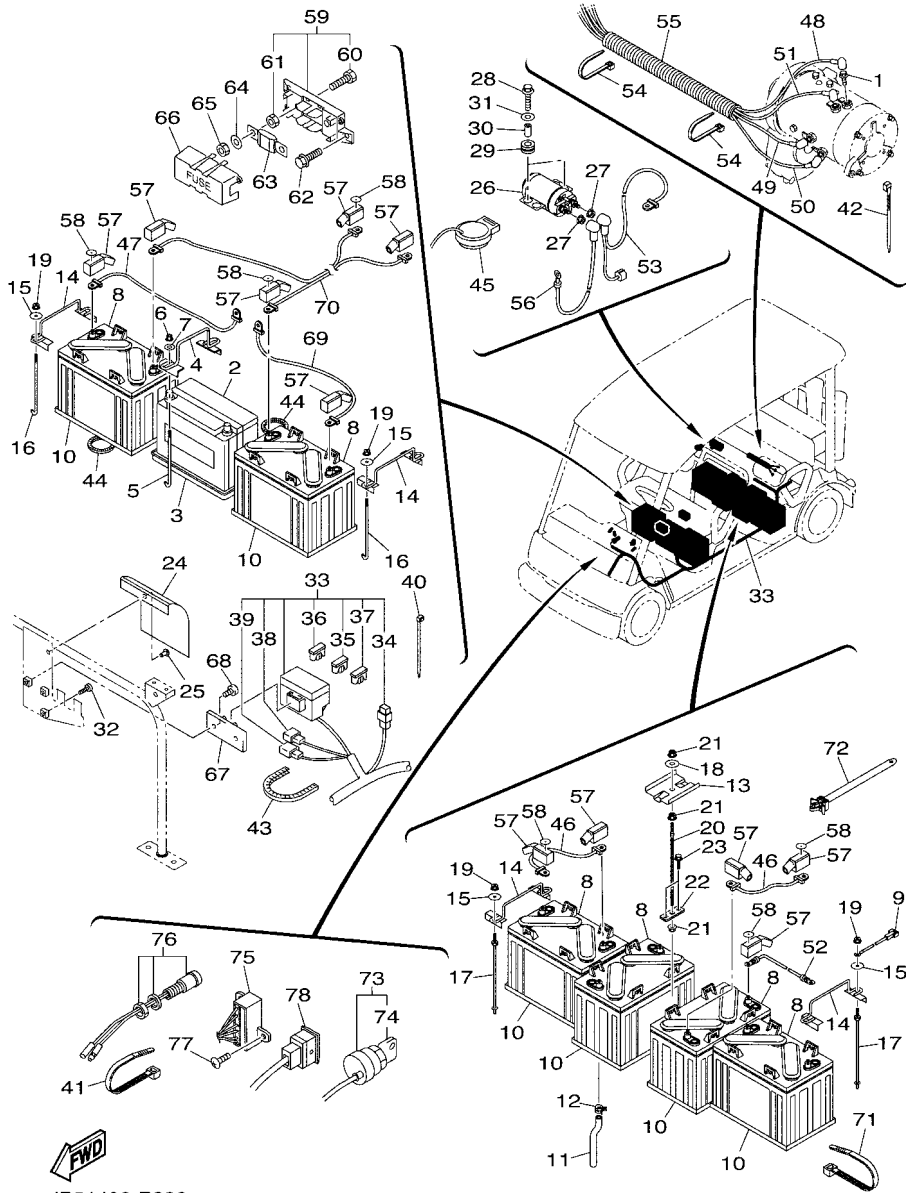


FIG. 23 ELECTRICAL 1



JB51400-P230

REF. NO.	PART NO.	DESCRIPTION	JB51	REMARKS
1	95802-08014	BOLT, FLANGE	4	
2	*	BATTERY ASSY (50B24L)	1	LM
3	JT2-82123-00	SEAT, BATTERY	1	
4	JY3-8213F-00	PLATE, BATTERY FITTING 3	1	
5	JH2-82133-00	SCREW, FITTING	2	
6	90185-06153	NUT, SELF-LOCKING	2	
7	90201-06072	WASHER, PLATE	2	
8	*	BATTERY ASSY	6	LM
9	JY8-83688-10	SENSOR ASSY	1	
10	JY8-82122-01	SEAT, BATTERY	6	
11	JY8-82353-00	HOSE	1	
12	90468-08104	CLIP	1	
13	JY8-82136-00	PLATE, BATTERY FITTING	1	
14	JY8-8213F-00	PLATE, BATTERY FITTING 3	4	
15	90201-06090	WASHER, PLATE	8	
16	J17-82133-00	SCREW, FITTING	4	
17	JY8-82133-00	SCREW, FITTING	4	
18	90201-10028	WASHER, PLATE	1	
19	95702-06500	NUT, FLANGE	8	
20	90116-10405	BOLT, STUD	1	
21	95702-10500	NUT, FLANGE	3	
22	JY8-81411-00	BASE, PLATE 1	1	
23	95822-08020	BOLT, FLANGE	2	
24	JT2-82129-00	COVER, BATTERY	1	
25	90269-07077	RIVET	1	
26	JT2-81950-01	RELAY ASSY (YZ46C-1)	1	
27	95702-08500	NUT, FLANGE	2	

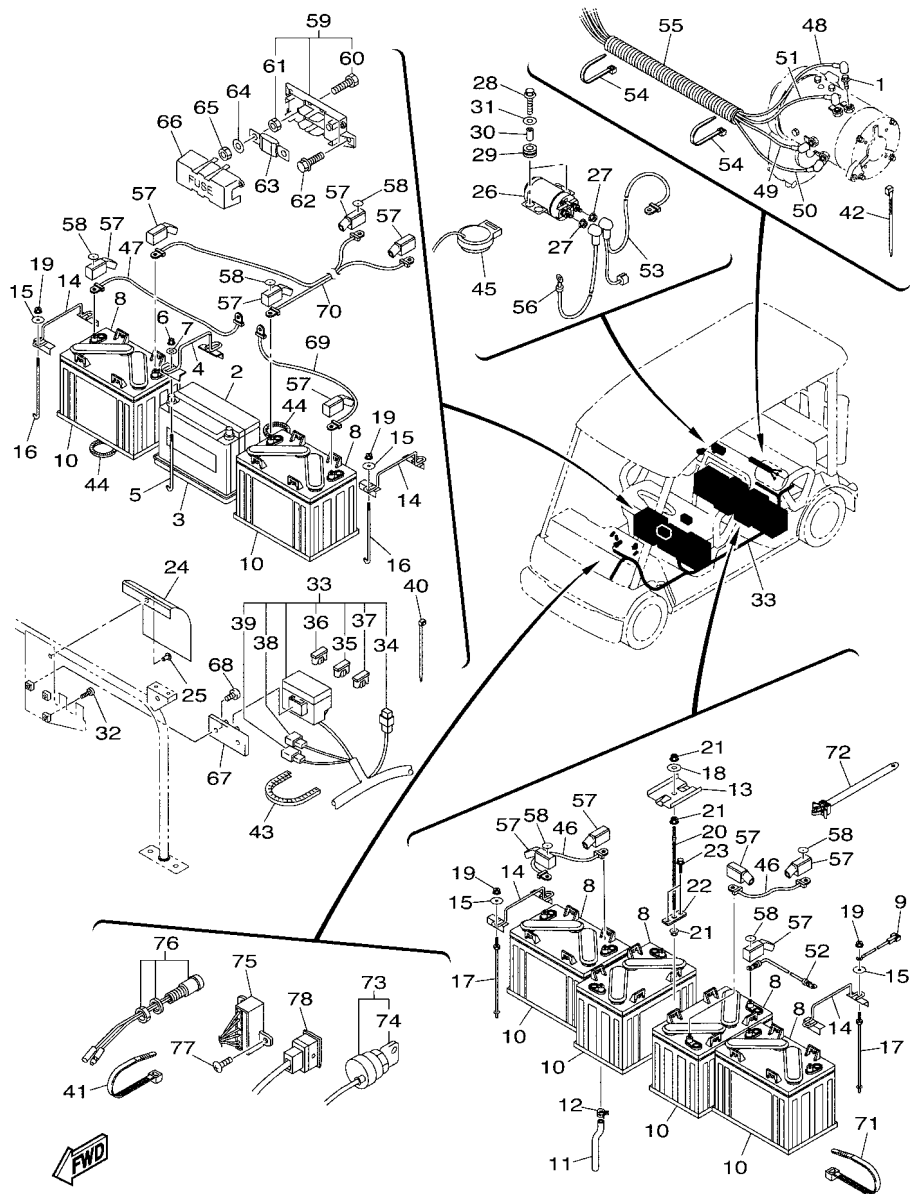


JB51400-P230

FIG. 23 ELECTRICAL 1

REF. NO.	PART NO.	DESCRIPTION	JB51				REMARKS
28	95802-06020	BOLT, FLANGE	2				
29	90480-16278	GROMMET	2				
30	90387-0600V	COLLAR	2				
31	90201-06085	WASHER, PLATE	2				
32	90153-06034	SCREW, HEXAGON	2				
33	JB4-82590-01	WIRE HARNESS ASSY	1				
34	JN2-81980-01	.DIODE ASSY	1				
35	5JJ-82151-10	.FUSE (15A-BL)	2				
36	5JJ-82151-20	.FUSE (20A-BL)	3				
37	5JJ-82151-40	.FUSE (4A-BL)	3				
38	JR9-82151-00	.FUSE (40A)	1				
39	4FM-82151-00	.FUSE (30A)	1				
40	90465-13152	CLAMP	6				
41	90465-13275	CLAMP	5				
42	90465-12356	CLAMP	1				
43	JX4-82355-00	GROMMET	1				
44	JY8-82355-00	GROMMET	2				
45	JN3-83383-10	BUZZER	1				
46	JY8-82216-00	WIRE, HIGH VOLTAGE LEAD 6	2				
47	JY8-82215-00	WIRE, HIGH VOLTAGE LEAD 5	1				
48	JY8-82211-00	WIRE, LEAD	1				
49	JY8-82212-00	WIRE, HIGH VOLTAGE LEAD 2	1				
50	JY8-82213-00	WIRE, HIGH VOLTAGE LEAD 3	1				
51	JY8-82214-00	WIRE, HIGH VOLTAGE LEAD 4	1				
52	JY8-82224-10	WIRE, HIGH VOLTAGE MINUS LEAD2	1				
53	JY8-82223-10	WIRE, HIGH VOLTAGE PLUS LEAD 2	1				
54	90465-13152	CLAMP	2				

FIG. 23 ELECTRICAL 1



JB51400-P230

REF. NO.	PART NO.	DESCRIPTION	JB51				REMARKS
55	90447-25004	TUBE	1				
56	JY3-82221-00	WIRE, HIGH VOLTAGE PLUS LEAD 1	1				
57	JY8-82119-00	COVER, LEAD WIRE	6				
58	JX5-82372-00	SEAL, PLUG CAP	3				
59	JB3-82170-00	FUSE BOX ASSY	1				
60	97022-08025	.BOLT, HEXAGON	2				
61	95302-08700	.NUT, HEXAGON	2				
62	95022-06012	BOLT, FLANGE	2				
63	JB3-82151-00	FUSE	1				
64	92902-08200	WASHER	2				
65	95302-08600	NUT, HEXAGON	2				
66	JB3-82172-00	COVER, FUSE BOX	1				
67	JT1-83614-00	BRACKET	1				
68	98902-06014	SCREW, BIND	2				
69	JY8-82219-00	WIRE, HIGH VOLTAGE LEAD 9	1				
70	JY8-82217-00	WIRE, HIGH VOLTAGE LEAD 7	1				
71	90465-12356	CLAMP	2				
72	90464-50001	CLAMP	2				
73	JX6-82510-00	MAIN SWITCH ASSY	1				
74	J44-82511-00	.KEY, MAIN SWITCH	1				
75	JX3-8350C-00	ENERGY GAUGE ASSY	1				
76	JT1-81977-10	BULB, PILOT LIGHT (RED)	1				
77	97702-50014	SCREW, TAPPING	2				
78	JB3-82617-K0	SWITCH	1				

NUMERICAL INDEX

PART NO.	REF. NO.	PART NO.	REF. NO.	PART NO.	REF. NO.	PART NO.	REF. NO.	PART NO.	REF. NO.	PART NO.	REF. NO.
JB8-22110-00	1 - 1	JR7-2387G-00	4 - 13	JB2-2588J-00	9 - 6	JB3-46321-00	11 - 18	JX4-78101-00	15 - 12	JX4-78297-01	20 - 45
JX4-22123-00	1 - 10	JR7-2387J-00	4 - 16	JB2-25896-00	9 - 18	JB3-46351-00	11 - 19	JX4-78101-20	15 - 12	JX5-78297-11	20 - 47
JX4-22124-00	1 - 3	JR7-2387K-00	4 - 14	JB2-25896-00	6 - 7	JB3-46361-00	11 - 20	JX4-78101-30	15 - 12	JR7-78297-T0	20 - 45
JB2-22172-00	1 - 2	JR7-23894-00	4 - 22		6 - 20	JB3-46362-00	11 - 21	JX4-78101-60	15 - 12	JX5-78297-T0	20 - 47
JY3-22210-00	1 - 7	8AC-2414B-01	15 - 13		7 - 7	JB2-46411-00	11 - 25	JY2-7810M-00	20 - 35	JY2-78298-30	15 - 5
5GJ-22426-00	2 - 20	JR7-2467K-00	4 - 20		7 - 20	JB2-46414-00	11 - 27	JY2-78113-00	15 - 17	JY2-78298-C0	15 - 5
JB4-22501-09	2 - 1	JY2-2474E-00	19 - 25	JX2-25919-00	6 - 8	JB2-46415-00	11 - 28	JB6-7811V-00	15 - 30	JB5-78299-00	18 - 10
JY6-22504-00	2 - 10	JY8-25100-30	3 - 24		6 - 21	JB2-46417-00	11 - 29	JB3-78130-00	16 - 6	JB5-78299-T0	18 - 10
JB8-22506-00	2 - 2		12 - 14		7 - 8	JB3-46421-00	11 - 26	JB3-78130-20	16 - 6	JY2-7829A-20	13 - 29
JX4-2254R-01	16 - 13	JY8-2510S-20	3 - 27		7 - 21	JY2-46511-00	12 - 9	JB3-78130-30	16 - 6	JY2-7829A-T0	13 - 29
JY8-2255A-00	2 - 4		12 - 17	3JD-25926-00	6 - 12	JY2-46512-00	12 - 10	JB3-78130-60	16 - 6	JY3-7830S-00	16 - 18
JY8-2255A-10	2 - 5	JY2-25110-00	3 - 28		6 - 25	JX2-46540-00	12 - 1	JB2-7830H-00	15 - 27	JB2-7830A-00	13 - 25
JB2-22571-00	2 - 12	JY8-2512A-00	3 - 36		7 - 12	JX2-46550-00	12 - 5	JB2-7813F-00	13 - 26	JB2-7830B-00	13 - 27
JY8-22572-10	2 - 13		12 - 21		7 - 25	JN3-47559-00	11 - 46	JB2-7813G-00	13 - 28	JB2-7830C-00	18 - 28
JY8-22592-00	2 - 7	JY8-25180-00	3 - 25	1UY-25926-51	6 - 10	JX4-77157-00	15 - 16	JY3-7813H-00	16 - 15	JB2-7830D-00	18 - 32
JX4-22597-00	2 - 15		12 - 15		6 - 23	JY3-77174-00	13 - 13	JB3-78140-00	16 - 7	JB2-7830E-00	18 - 16
JY1-2259H-00	2 - 8	JB2-25310-00	12 - 18		7 - 10	JX4-77188-00	15 - 15	JB3-78140-20	16 - 7	JB2-7830E-10	18 - 20
JB8-23350-01	3 - 18	JX2-2580T-01	6 - 3		7 - 23	JB2-77201-00	13 - 1	JB3-78140-30	16 - 7	JB2-7830F-00	18 - 18
JX4-23400-01	4 - 8		7 - 3	3TB-25933-00	6 - 15	JB2-77202-00	13 - 15	JB3-78140-60	16 - 7	JB2-7830F-10	18 - 22
JX4-23417-00	4 - 26	JX2-2580U-01	6 - 16		6 - 28	JY2-77212-10	13 - 10	JB8-78141-00	16 - 1	JB2-78314-00	18 - 1
JX4-23427-00	4 - 29		7 - 16		7 - 15	JB2-77213-00	13 - 2	JB8-78141-20	16 - 1	JX4-7831L-00	13 - 31
	4 - 35	JB2-25816-00	9 - 19		7 - 28	JB2-77214-00	13 - 3	JB8-78141-30	16 - 1	JB2-7831N-00	18 - 39
JX4-23445-00	4 - 25	JB2-2581J-00	9 - 4	1UY-25937-51	6 - 6	JX4-77217-00	13 - 6	JB8-78141-60	16 - 1	JY2-7831W-00	19 - 55
JX2-23510-00	3 - 21	JB2-25826-00	9 - 21		6 - 19	JY3-77223-00	13 - 8	JY2-78142-00	16 - 5	JB2-78323-00	19 - 39
JX2-23520-00	3 - 22	JX2-2582A-00	9 - 35		7 - 6	JB2-77233-00	13 - 14	JB2-78145-00	19 - 32	JY2-78328-20	15 - 10
2HR-23526-00	3 - 2	JX2-2582T-00	6 - 1		7 - 19	JB2-77261-00	13 - 4	JX4-7814E-00	16 - 17	JY3-78329-00	16 - 8
	3 - 11		7 - 1	1UY-25938-51	6 - 11	JB2-77262-00	13 - 5	JX4-7814H-00	15 - 9	JX4-7832F-00	18 - 2
JB2-23540-00	3 - 1	JB2-2583T-00	9 - 16		6 - 24	JY3-77263-01	13 - 12	JY3-78150-10	16 - 14	JX4-7832H-00	16 - 9
JX4-23549-01	3 - 3	JB2-25852-00	9 - 20		7 - 11	JB2-77271-00	13 - 18	J17-78157-01	19 - 4	JX4-78334-01	18 - 41
JY8-23570-01	3 - 10	2GU-25866-00	9 - 15		7 - 24	JB2-77275-00	13 - 19		19 - 9	JX4-7833H-00	16 - 10
JX4-23579-01	3 - 12	JB2-25871-00	9 - 7	JX2-25961-00	6 - 13	JB2-77283-00	13 - 17	JX4-78164-00	14 - 2	JB2-7833K-00	18 - 13
JY1-23810-10	4 - 1	JB2-25872-00	9 - 1		6 - 26	JB2-77510-00	14 - 1	JX4-78165-00	14 - 3	JY2-78355-00	19 - 1
JX4-23812-00	4 - 11	JB2-25873-00	9 - 2		7 - 13	JX4-77520-00	14 - 6	JB2-7817F-00	18 - 31	JB2-78356-00	19 - 21
JR9-23823-01	4 - 27	JB2-25874-00	9 - 3		7 - 26	JF7-77563-00	14 - 12	JB2-7817G-00	18 - 35	JN5-78357-10	4 - 36
JR7-23833-00	4 - 23	5KM-25875-00	9 - 37	JB2-26326-00	9 - 17	JB2-77711-00	15 - 21	JB2-78180-00	14 - 8	JB2-78358-00	19 - 46
JX4-23837-00	4 - 19	JB2-25876-00	9 - 39	JB2-27200-00	5 - 1	JB5-77741-00	15 - 22	JX2-78181-00	15 - 24	JX4-78358-00	4 - 38
JN5-23838-00	4 - 3	JX2-2587A-00	9 - 43	JB2-27211-00	5 - 3	JB6-77741-00	15 - 22	JB2-78187-00	17 - 1	JX4-7835E-00	15 - 11
JX4-23841-00	4 - 24	JB2-25880-00	9 - 22	JB2-27218-00	9 - 23	JB9-77742-00	15 - 26	JX4-7818E-00	14 - 9	JB2-7835J-00	19 - 16
JR7-23844-00	4 - 17	JX2-25882-10	9 - 8	JB2-27222-00	9 - 24	JY6-77762-10	4 - 37	JX4-7818F-00	14 - 10	JR4-7835N-00	19 - 43
JR7-23848-00	4 - 18	JX3-25883-10	9 - 9	JB2-27229-00	9 - 26	JY6-77762-T0	4 - 37	JB2-78191-00	17 - 4	JB8-78361-00	20 - 24
JX4-2384N-00	4 - 10	JX2-25885-11	9 - 34	JB2-27263-00	5 - 15	JY8-77765-20	20 - 46	JB2-78192-00	17 - 5	JB8-78362-00	20 - 15
J50-23857-00	4 - 2	JX2-25887-00	9 - 42	JB2-27275-00	8 - 2	JY8-77765-T1	20 - 46	JF7-78214-00	18 - 25	JX4-78364-00	19 - 22
JR7-23866-00	4 - 21	JB2-2588A-00	9 - 10	JB2-27411-00	15 - 19	JT2-77766-20	16 - 25	JB8-78231-00	16 - 21	JF7-78367-00	19 - 2
JX4-23876-00	4 - 28	JB2-2588B-00	9 - 11	JY2-27801-01	10 - 1	JT2-77766-T2	16 - 25	JB8-78241-00	16 - 23	J17-78368-01	19 - 5
	4 - 34	JX2-2588C-10	9 - 12	JY2-28415-00	19 - 24	JY4-77768-10	13 - 16	JB2-78243-00	15 - 2		19 - 10
JX4-2387A-01	4 - 9	JY2-2588D-00	9 - 13	JY3-46311-00	11 - 1	JY4-77768-T0	13 - 16	JB2-78244-00	15 - 3	J17-78369-00	19 - 6
JX4-2387E-00	4 - 12	JB2-2588E-00	9 - 14	JY3-46312-10	11 - 9	JB5-78100-00	15 - 1	JX4-78273-00	15 - 31		19 - 11
JR7-2387F-00	4 - 15	JB2-2588H-00	9 - 5	JX3-46319-00	11 - 15	JB8-78100-10	15 - 1	J50-78274-10	18 - 26	JY2-78369-00	19 - 52

NUMERICAL INDEX

PART NO.	REF. NO.	PART NO.	REF. NO.	PART NO.	REF. NO.	PART NO.	REF. NO.	PART NO.	REF. NO.	PART NO.	REF. NO.
JX4-7836H-00	19 - 20	JX3-81822-00	21 - 9	JB4-82590-01	23 - 33	90105-10348	11 - 30	90201-06116	18 - 5	90387-0600V	23 - 30
JX7-7836H-00	18 - 14	JX3-81823-00	21 - 21	JB3-82617-K0	23 - 78	90105-10728	3 - 5	90201-08026	20 - 21	90387-06553	13 - 20
JB8-7836L-00	20 - 16	JT2-8184J-00	21 - 11	JB3-82617-K0	10 - 4	90105-12031	1 - 11	90201-08088	9 - 27	90387-08031	19 - 19
JY2-78374-00	19 - 41	JY8-81890-Q2	21 - 1	JT2-83325-00	21 - 6	90109-06302	9 - 44	90201-08101	19 - 38	90387-10109	5 - 12
JB2-78375-00	19 - 27	JT2-81950-01	23 - 26	JN3-83383-10	23 - 45	90109-08221	6 - 2	90201-08730	18 - 36	90387-12053	19 - 30
JB2-78376-00	19 - 28	JY1-81962-00	22 - 14	JX3-8350C-00	23 - 75		7 - 2		20 - 18	90387-15019	18 - 6
JY2-78380-00	19 - 50	JY8-81962-00	22 - 14	JT1-83614-00	23 - 67	90109-10473	19 - 31		20 - 26	90387-252M8	11 - 24
JT4-78389-00	19 - 42	JY3-81962-10	22 - 14	JY3-83688-00	11 - 45	90111-08013	19 - 33	90201-10028	23 - 18	90387-30006	3 - 23
JB2-78392-00	18 - 8	JT1-81977-10	23 - 76	JY8-83688-10	23 - 9	90114-10019	9 - 31	90201-10118	9 - 31	90401-10015	9 - 30
JB2-78393-00	18 - 11	JN2-81980-01	23 - 34	JN9-85885-00	10 - 2		12 - 19	90201-102J5	19 - 37	90430-14043	11 - 17
JR7-78402-01	20 - 29	JY8-82119-00	23 - 57	JB2-85930-09	8 - 1	90116-10405	23 - 20	90201-105A2	4 - 31	90447-25004	23 - 55
JB8-78404-00	20 - 6	JY8-82122-01	23 - 10	JY3-86182-00	22 - 4	90149-08291	20 - 20	90201-120T5	19 - 35	90462-05059	15 - 28
JB8-78405-00	20 - 2	JT2-82123-00	23 - 3	JY3-86281-20	11 - 33	90150-06015	22 - 5	90201-12190	4 - 5	90462-06007	22 - 2
JB8-78407-00	20 - 27	JT2-82129-00	23 - 24	JY3-86281-30	11 - 34	90153-06034	23 - 32	90201-12195	11 - 39	90462-08007	11 - 36
JB8-78410-00	20 - 1	J17-82133-00	23 - 16	JX3-86290-00	11 - 38	90157-06011	19 - 14	90201-121J0	1 - 6	90464-04002	9 - 33
JB6-78413-00	20 - 31	JH2-82133-00	23 - 5	JY3-86514-00	22 - 10	90157-06068	18 - 27	90201-122H1	19 - 34	90464-16021	10 - 7
JB8-78418-00	20 - 28	JY8-82133-00	23 - 17	JY3-87214-00	22 - 3	90159-06055	19 - 3	90201-163M0	3 - 33	90464-50001	23 - 72
JB8-78420-00	20 - 5	JY8-82136-00	23 - 13	JT2-88109-20	22 - 12	90174-12001	3 - 14	90201-20032	11 - 22	90465-12356	23 - 42
JB8-78423-00	20 - 14	JY3-8213F-00	23 - 4	JT2-88109-T0	22 - 12		4 - 32	90201-20033	11 - 23		23 - 71
JR7-78426-00	20 - 9	JY8-8213F-00	23 - 14	JB4-8A210-00	22 - 1	90179-06020	13 - 22	90206-38001	21 - 20	90465-13152	17 - 2
JX4-78427-00	16 - 11	4FM-82151-00	23 - 39	JX2-W0045-10	6 - 14	90179-06021	18 - 17	90267-32004	15 - 7		23 - 40
JY2-78427-00	16 - 2	JB3-82151-00	23 - 63		7 - 14		18 - 19	90267-48085	19 - 44		23 - 54
JX4-7842F-00	20 - 41	JR9-82151-00	23 - 38	JX2-W0045-20	6 - 27		18 - 21	90267-48101	2 - 14	90465-13275	17 - 3
JX4-7842G-00	20 - 42	5JJ-82151-10	23 - 35		7 - 27		18 - 23		17 - 6		23 - 41
JF7-78433-00	20 - 3	5JJ-82151-20	23 - 36	3GD-W0047-00	6 - 5	90179-06059	18 - 30	90269-05055	19 - 23	90468-08104	23 - 12
	20 - 7	5JJ-82151-40	23 - 37		6 - 18		18 - 34	90269-06003	18 - 38	90480-08216	19 - 45
JB2-78439-00	20 - 13	JB3-82170-00	23 - 59		7 - 5	90179-06636	18 - 9	90269-07010	16 - 4	90480-13398	15 - 14
JB8-78460-00	2 - 17	JB3-82172-00	23 - 66		7 - 18		18 - 12		16 - 20	90480-13567	15 - 23
JY2-78478-00	20 - 38	JY8-82211-00	23 - 48	1UY-W0048-50	6 - 9	90179-08491	11 - 48	90269-07064	15 - 4	90480-16278	23 - 29
JY2-78483-30	19 - 48	JY8-82212-00	23 - 49		6 - 22	90179-08689	18 - 29		16 - 22	90480-25004	18 - 7
JY2-78483-T0	19 - 48	JY8-82213-00	23 - 50		7 - 9		18 - 33		16 - 24	90502-10013	4 - 41
JY2-78484-00	20 - 33	JY8-82214-00	23 - 51		7 - 22	90179-10031	3 - 32	90269-07077	23 - 25	90506-10001	19 - 54
JY8-81129-00	21 - 16	JY8-82215-00	23 - 47	3TB-W0057-00	6 - 4		12 - 20	90269-10005	15 - 8	90508-40015	5 - 8
JT2-81135-00	21 - 7	JY8-82216-00	23 - 46		6 - 17	90179-20016	12 - 11		15 - 18	91312-06016	11 - 35
JT2-81150-00	21 - 2	JY8-82217-00	23 - 70		7 - 4	90185-06153	23 - 6		15 - 20	91317-08045	11 - 44
JT2-81152-00	21 - 5	JY8-82219-00	23 - 69		7 - 17	90185-10019	5 - 10		15 - 25	91402-25020	3 - 7
JT2-81157-00	21 - 3	JY3-82221-00	23 - 56	90101-10038	12 - 12	90185-12009	1 - 5		16 - 16		3 - 15
JX3-81160-00	21 - 4	JY8-82223-10	23 - 53	90105-05331	10 - 3	90201-03313	15 - 6		16 - 19		3 - 35
JT2-81218-00	21 - 15	JY8-82224-10	23 - 52	90105-06211	18 - 3	90201-044H9	4 - 40		17 - 7		4 - 33
JT2-81252-00	21 - 8	JX2-8234W-01	11 - 41	90105-06452	11 - 43	90201-06019	20 - 37	90338-08174	21 - 24	91490-25020	9 - 28
JT2-81352-00	21 - 10	JY8-82353-00	23 - 11	90105-08096	20 - 17	90201-06020	13 - 21	90338-15004	19 - 49	91609-40040	11 - 32
JT2-81353-00	21 - 18	JX4-82355-00	23 - 43	90105-08198	20 - 22	90201-06049	20 - 40	90338-24204	18 - 40	91690-20020	13 - 9
JY8-81411-00	23 - 22	JY8-82355-00	23 - 44	90105-08252	20 - 25		20 - 44	90340-14036	11 - 16	91690-30012	13 - 11
JT2-81452-00	21 - 12	JX5-82372-00	23 - 58	90105-10116	3 - 8	90201-06072	23 - 7	90381-18002	19 - 29	92017-08016	14 - 11
JT2-81552-00	21 - 17	JX6-82510-00	23 - 73	90105-10221	3 - 16	90201-06085	23 - 31	90384-14080	5 - 2	92902-08100	9 - 25
JT2-81652-00	21 - 13	J44-82511-00	23 - 74	90105-10283	4 - 30	90201-06090	23 - 15	90386-06108	19 - 7	92902-08200	20 - 12
5GM-81677-00	9 - 32	JY3-82519-00	11 - 37	90105-102A9	6 - 29	90201-06106	19 - 15		19 - 12		20 - 19
JT2-81811-00	21 - 14	JB2-82530-00	5 - 13		7 - 29	90201-06115	18 - 4	90387-046N7	4 - 42		23 - 64

NUMERICAL INDEX

PART NO.	REF. NO.	PART NO.	REF. NO.	PART NO.	REF. NO.	PART NO.	REF. NO.	PART NO.	REF. NO.	PART NO.	REF. NO.
93102-20143	11 - 12	95802-06010	11 - 42	95880-06020	18 - 24						
93102-25017	11 - 5	95802-06012	2 - 18		20 - 36						
93102-25360	11 - 6		9 - 38	95880-06020	13 - 24						
	11 - 13		9 - 40	95880-08025	20 - 34						
93102-35109	12 - 3		10 - 6	97022-05012	22 - 8						
	12 - 7	95802-06016	20 - 30	97022-06025	20 - 10						
93210-132A8	5 - 11	95802-06020	23 - 28	97022-08025	23 - 60						
93305-00602	3 - 29	95802-06025	9 - 41	97080-06016	20 - 43						
93306-00803	11 - 4	95802-06030	2 - 19	97080-06020	20 - 39						
	11 - 11		16 - 3	97507-05512	10 - 5						
93306-20401	11 - 3	95802-06040	16 - 12	97702-50014	15 - 29						
	11 - 10	95802-08012	19 - 47		23 - 77						
93306-20501	11 - 2	95802-08014	23 - 1	97702-50016	20 - 4						
93306-30578	12 - 2	95802-08035	5 - 6		20 - 8						
	12 - 6	95807-06020	20 - 11	97707-30110	22 - 11						
93900-00022	3 - 26	95812-06010	8 - 3	97707-40525	4 - 39						
	12 - 16	95812-06050	21 - 19	98780-04025	22 - 13						
95022-06012	9 - 36	95812-08012	8 - 4	98780-06014	13 - 7						
	22 - 7	95812-08020	2 - 16	98780-06035	13 - 23						
	23 - 62		4 - 7	98902-06014	23 - 68						
95022-08025	14 - 7	95812-08025	9 - 29	98980-06012	20 - 32						
95024-06016	19 - 40	95812-08035	21 - 23	99009-30400	3 - 4						
95302-08600	23 - 65	95812-08055	13 - 30	99009-32400	3 - 13						
95302-08700	23 - 61		18 - 37	99009-55500	3 - 30						
95307-08800	19 - 26	95812-08060	19 - 17	99009-62500	12 - 4						
95307-10800	19 - 36	95812-08075	11 - 47		12 - 8						
95380-08600	19 - 53	95812-10016	1 - 13	99080-05600	19 - 8						
95602-06200	2 - 21	95812-10030	12 - 13		19 - 13						
	22 - 6	95812-10045	1 - 8	99530-12016	11 - 14						
95602-08200	19 - 18	95812-10090	5 - 9	99530-14016	11 - 31						
	20 - 23	95812-12065	1 - 4								
95602-10200	1 - 9	95822-06012	14 - 4								
	3 - 17	95822-06016	2 - 9								
	3 - 20		22 - 9								
95602-12100	4 - 4	95822-06030	5 - 4								
95602-12200	1 - 12	95822-08014	5 - 16								
	11 - 40		21 - 22								
95604-16200	3 - 34	95822-08016	2 - 3								
95607-10200	3 - 9		2 - 6								
95702-06500	5 - 5	95822-08020	23 - 23								
	23 - 19	95822-08040	11 - 7								
95702-08500	4 - 6	95822-08050	11 - 8								
	5 - 7	95822-10025	2 - 11								
	5 - 14	95822-10045	3 - 19								
	5 - 17	95827-08065	14 - 5								
	23 - 27	95880-06012	19 - 51								
95702-10500	3 - 6		19 - 56								
	23 - 21	95880-06016	18 - 15								