



PARTS CATALOGUE

G31EPS-Li (JB14) HONG KONG



1UJB1-417E1

()

G31EPS-Li
PARTS CATALOGUE
©2018 by Yamaha Motor Co., Ltd.
1st edition, October 2018
All rights reserved.
Any reprinting or unauthorized use
without the written permission of
Yamaha Motor Co., Ltd.
is expressly prohibited.
Printed in Japan.

FOREWORD

This Parts Catalogue is related to the parts for the model(s) on the cover page. When you are ordering replacement parts, please refer to this Parts Catalogue and quote both part numbers and part names correctly.

1. Modifications or additions which have been made after the issue of the Parts Catalogue will be announced in the Parts News.
It is advisable that you make the necessary corrections to the Parts Catalogue according to the Parts News.

2. Abbreviations

The following abbreviations are used in this Parts Catalogue.

“UR” Use specified parts number.

“UN” Use as many as needed.

“AP” Alternate Parts

“LM” Locally Made (Parts need to be ordered locally)

“F#” Frame No. (Applicable machine No.)

“O/S” Over Size

3. The number of components for assembly

- Parts, which are to be supplied in an assembly, are listed with a dot (.) in front of the part name as shown below.
- The numeral appearing to the right of each component part indicates the quantity of parts for each assembly unit.

PART NO.	DESCRIPTION	Q'TY	REMARKS
2F5-83310-60	FRONT FLASHER LIGHT ASSY	2	
115-83311-60	.BULB (6V-18W)	1	

4. Applicable colours of graphics are represented in the “REMARKS” as shown below.

PART NO.	DESCRIPTION	Q'TY	REMARKS
2N4-24110-00-X5	FUEL TANK COMP.	2	MXR
3J1-24240-10	.GRAPHIC, FUEL TANK	1	FOR MXR

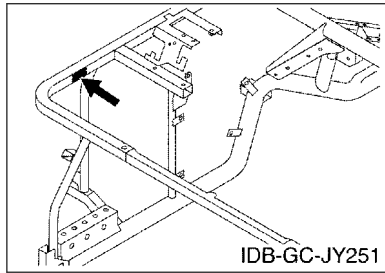
5. Note that the illustrations for reference in finding parts numbers are not to be used for assembling. When assembling, please use the applicable service manual.

6. The asterisk (*) before a reference number indicates modified items after the first edition.

FOREWORD

7. Applicable Serial No.

Frame Serial No.



8. Applicable Colour Code (The (*) mark shows Model colour.)

Abbreviation	Colour Name	Colour Code
DNGM3(*)	DARK GRAYISH GREEN METALLIC 3	0712
DPBMC(*)	DEEP PURPLISH BLUE METALLIC C	0564
DRMD(*)	DULL RED METALLIC D	0779
RW(*)	RADICAL WHITE	00UJ
VDGS1(*)	VERY DARK GREEN SOLID 1	0614

9. Quantity Column Information

Column No.	Name Of Q'ty Column	Destination
1	JB14	HONG KONG

10. Applicable Starting Serial No.

Frame Serial No.

Serial No.	Name Of Q'ty Column	Model Code
JB1-430101	JB14	JB14

CONTENTS

BODY

REAR ARM & SUSPENSION.....	1
FRAME.....	2
FRONT SUSPENSION & WHEEL.....	3
STEERING.....	5
BRAKE.....	7
BRAKE 2.....	8
BRAKE 3.....	10
BRAKE 4.....	12
FRONT MASTER CYLINDER.....	13
ACCELERATOR.....	15

DRIVE

TRANSAXLE.....	16
REAR AXLE & WHEEL.....	18
WINDSHIELD(SPLIT TYPE).....	19
BUMPER.....	21
BODY.....	22
BODY 2.....	24
BODY FITTING.....	26
SUN ROOF.....	27
SEAT.....	29

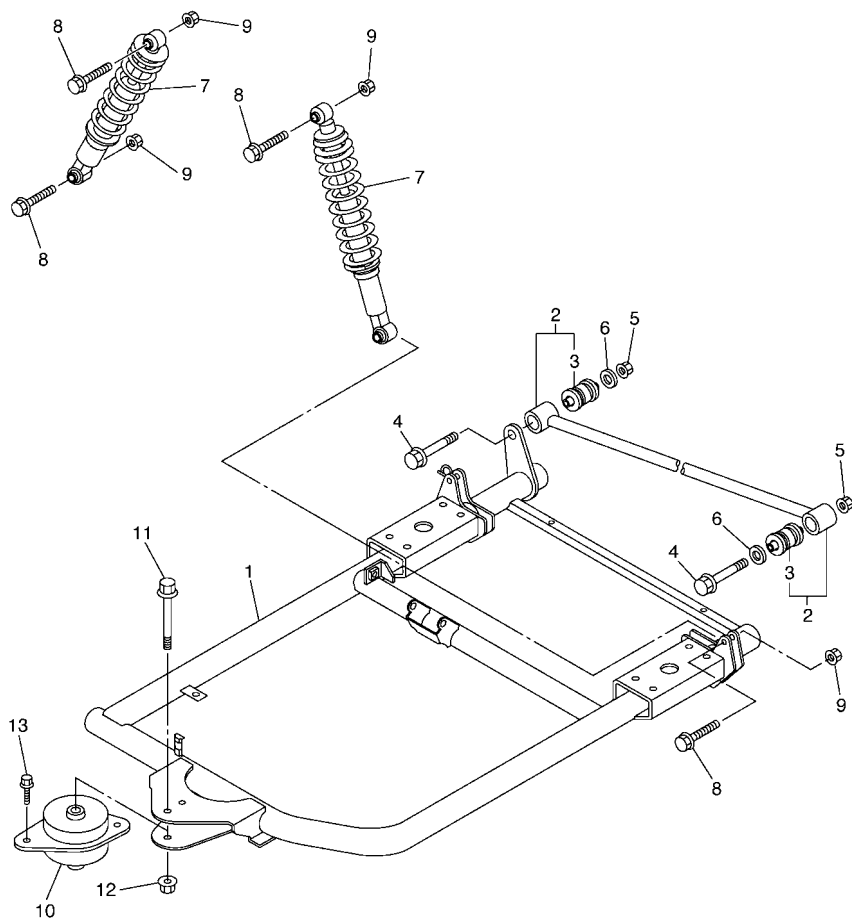
ELECTRICAL

ELECTRIC MOTOR.....	31
CONTROL UNIT.....	32
ELECTRICAL 1.....	33

INDEX

NUMERICAL INDEX.....	35
----------------------	----

FIG. 1 REAR ARM & SUSPENSION



JX31010-D010

REF. NO.	PART NO.	DESCRIPTION	JB14	REMARKS
1	JB8-22110-00	REAR ARM COMP.	1	
2	JB2-22172-00	ARM, REAR 2	1	
3	JX4-22124-00	.BUSH 2	2	
4	95812-12065	BOLT, FLANGE	2	
5	90185-12009	NUT, SELF-LOCKING	2	
6	90201-121J0	WASHER, PLATE	2	
7	JY3-22210-00	SHOCK ABSORBER ASSY, REAR	2	
8	95812-10045	BOLT, FLANGE	4	
9	95602-10200	NUT, S/L FLANGE	4	
10	JX4-22123-00	BUSH 1	1	
11	90105-12031	BOLT, FLANGE	1	
12	95602-12200	NUT, SELF-LOCKING	1	
13	95812-10016	BOLT, FLANGE	2	

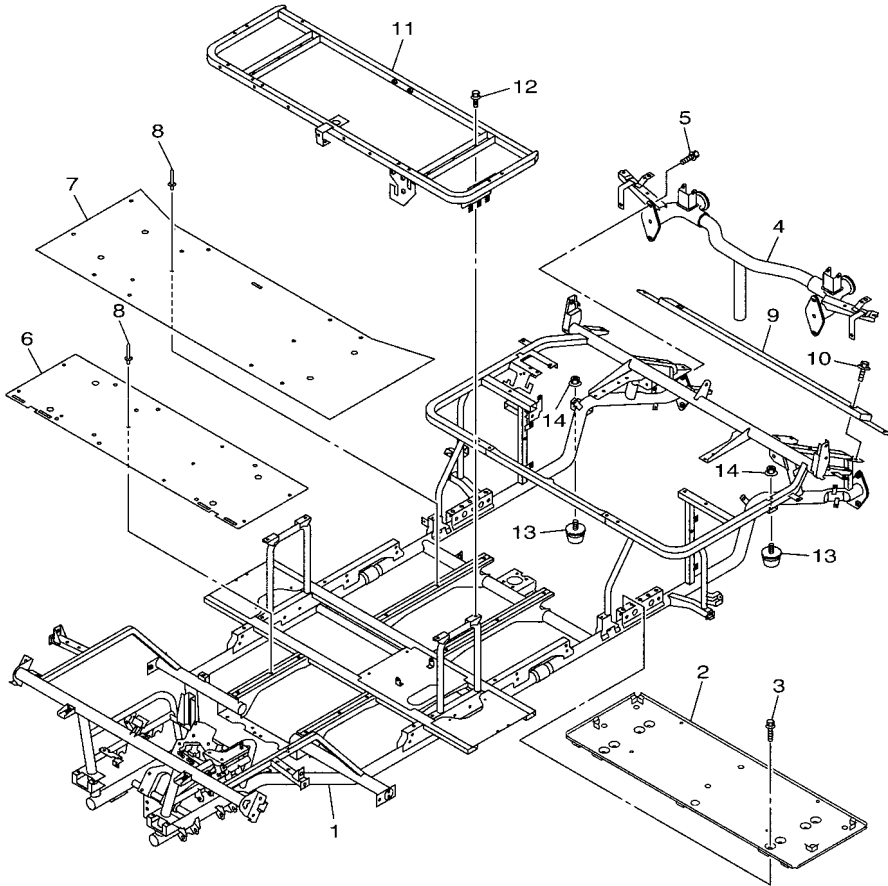


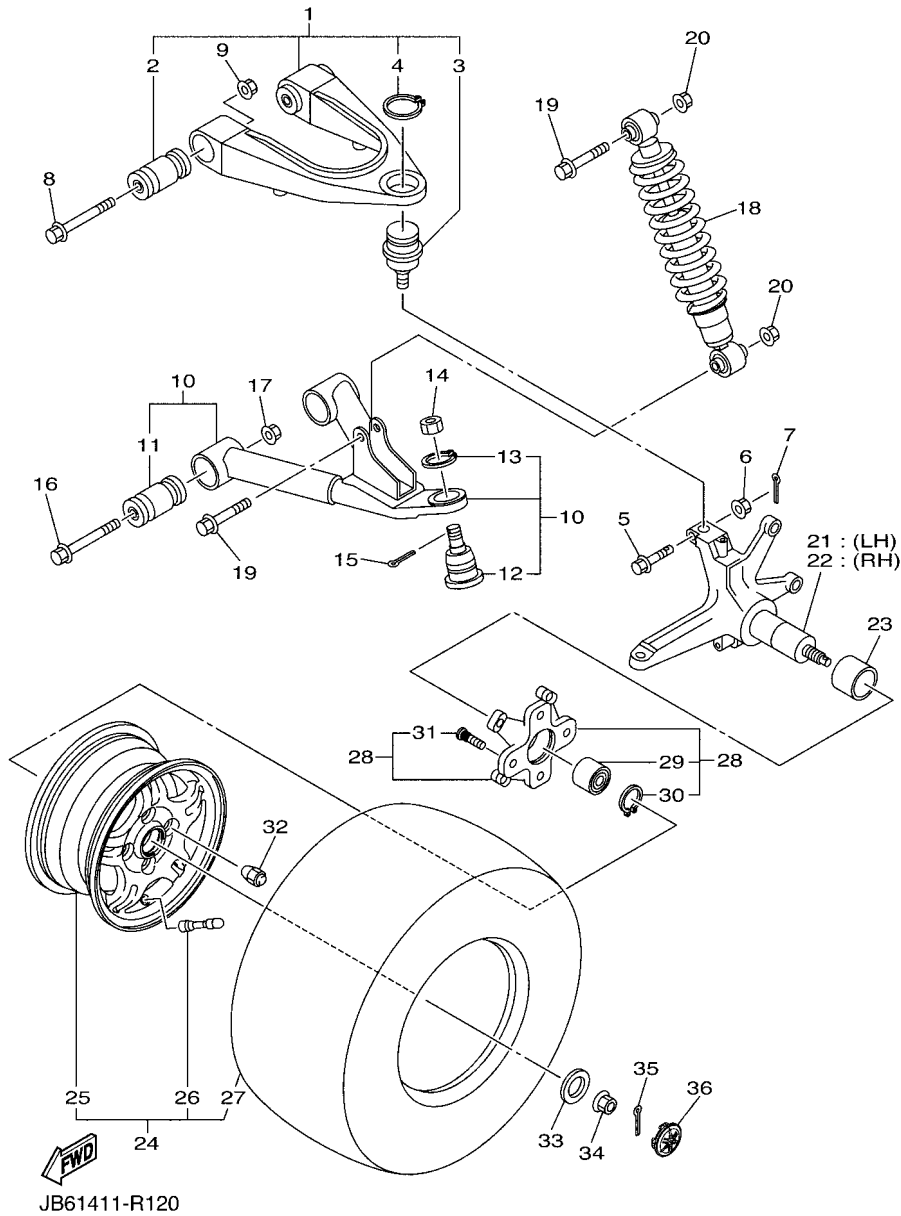
FIG. 2 FRAME

REF. NO.	PART NO.	DESCRIPTION	JB14				REMARKS
1	JB9-22501-29	FRAME COMP.	1				
2	JB8-22506-L9	RR,CROSS MEMBER SUB ASSY	1				
3	95D32-08016	BOLT, FLANGE DEEP RECESS	4				
4	JY6-22504-00	RR. SUB-FRAME COMP.	1				
5	95822-10025	BOLT, FLANGE	4				
6	JB2-22571-00	PANEL 1	1				
7	JY2-22572-00	PANEL 2	1				
8	90267-48101	RIVET, BLIND	20				
9	JX4-22597-00	REINFORCEMENT 2	1				
10	95812-08020	BOLT, FLANGE	2				
11	JY3-78460-00	SEAT FRAME COMP.	1				
12	95D02-06012	BOLT, FLANGE DEEP RECESS	4				
13	5GJ-22426-00	BUMP, STOP	2				
14	95602-06200	NUT, SELF-LOCKING	2				

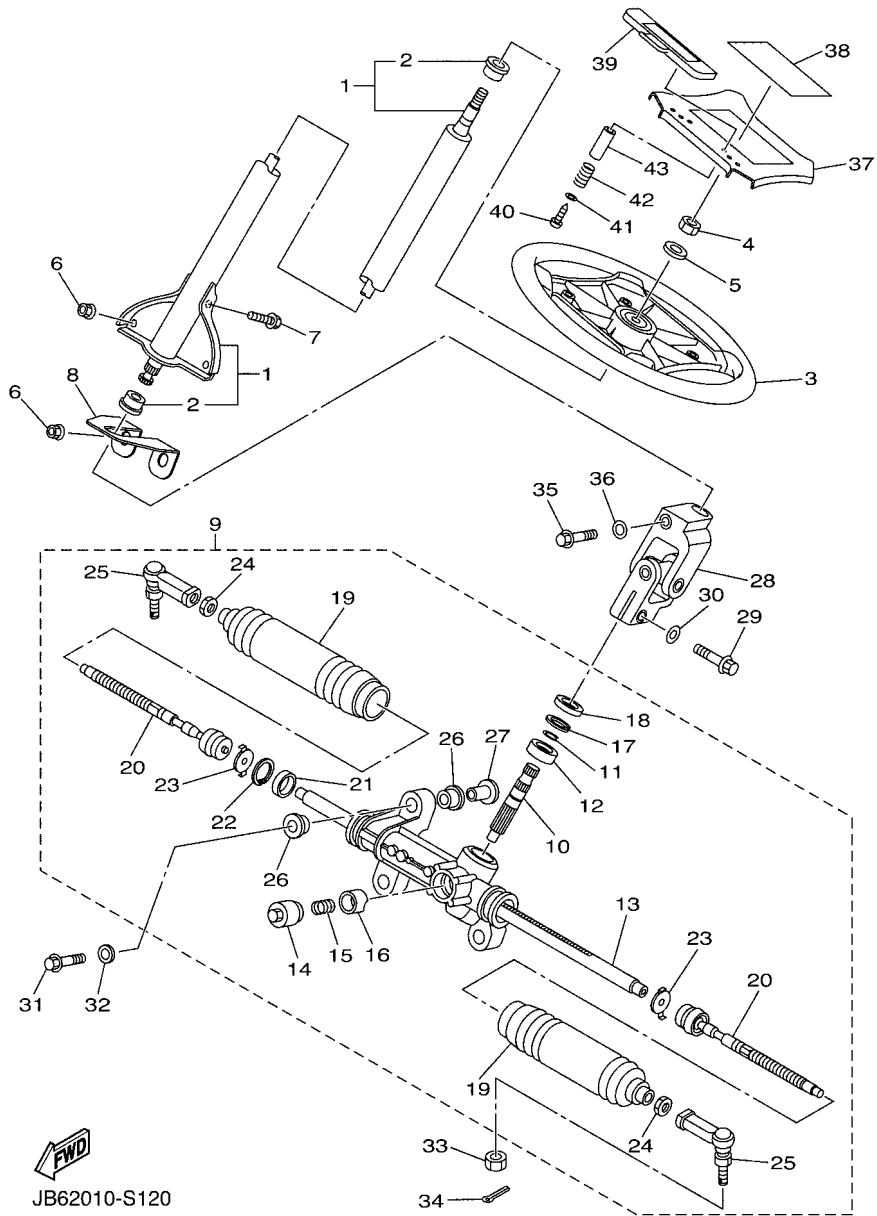


JB12417-S020

FIG. 3 FRONT SUSPENSION & WHEEL



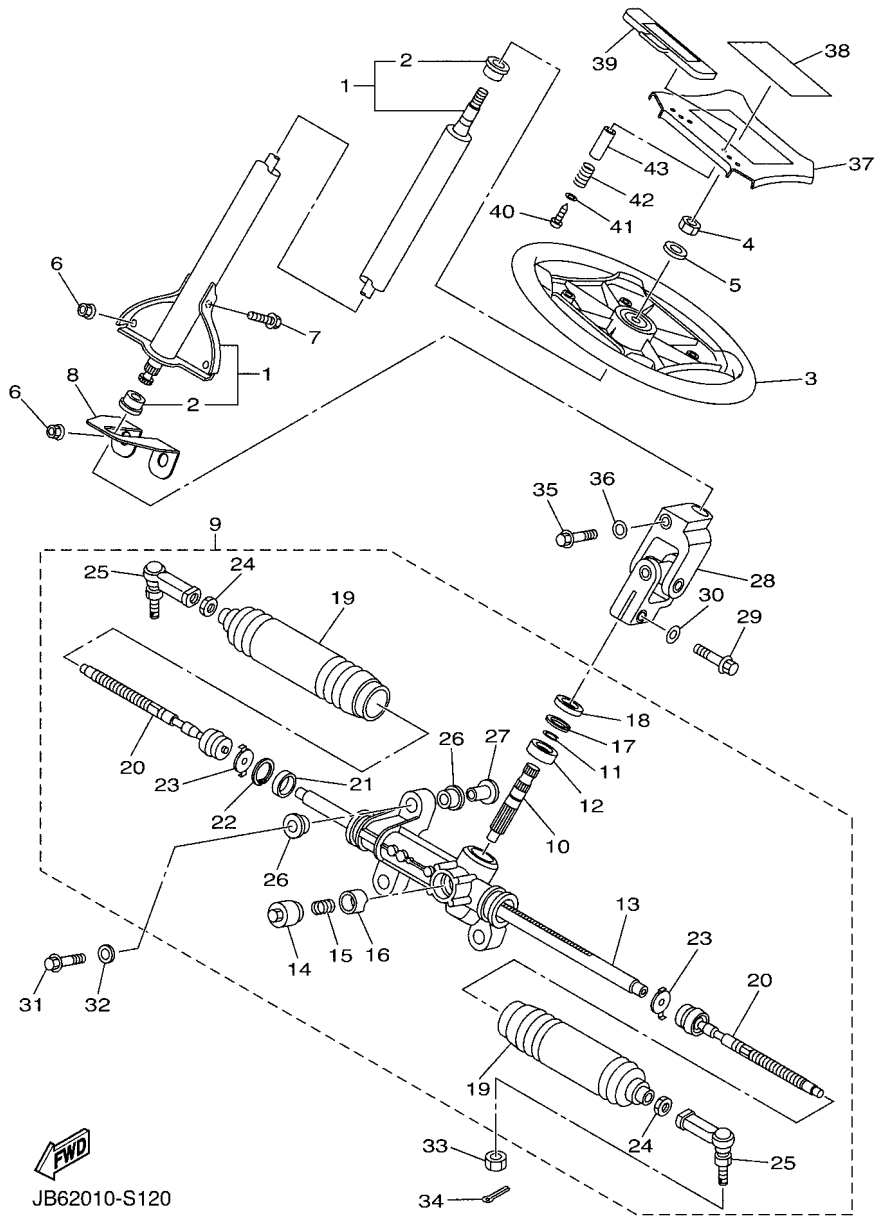
REF. NO.	PART NO.	DESCRIPTION	JB14				REMARKS
1	JB2-23540-00	FRONT UPPER ARM COMP. (LEFT)	2				
2	2HR-23526-00	.BUSH	2				
3	JX4-23549-01	.BALL JOINT 1	1				
4	99009-30400	.CIRCLIP	1				
5	90105-10728	BOLT, FLANGE	2				
6	95702-10500	NUT, FLANGE	2				
7	91402-25020	PIN, COTTER	2				
8	90105-10116	BOLT, FLANGE	4				
9	95607-10200	NUT, U FLANGE	4				
10	JY8-23570-01	FRONT LOWER ARM COMP.	2				
11	2HR-23526-00	.BUSH	2				
12	JX4-23579-01	.BALL JOINT 2	1				
13	99009-32400	.CIRCLIP	1				
14	90171-12001	NUT, CASTLE	2				
15	91402-25020	PIN, COTTER	2				
16	90105-10221	BOLT, FLANGE	4				
17	95602-10200	NUT, S/L FLANGE	4				
18	JY4-23350-00	SHOCK ABSORBER ASSY	2				
19	95822-10045	BOLT, FLANGE	4				
20	95602-10200	NUT, S/L FLANGE	4				
21	JX2-23510-00	KNUCKLE, STEERING COMP. (LEFT)	1				
22	JX2-23520-00	STEERING KNUCKLE COMP. (RIGHT)	1				
23	90387-30006	COLLAR	2				
24	JY2-25100-00	AL WHEEL ASSY (190/50-12-4PR)	2				
25	JY8-25180-00	.WHEEL COMP. (ALUMINIUM)	1				
26	93900-00022	.VALVE, RIM (TR413)	1				TAIHEIYO
27	JX4-2510S-20	.TIRE (190/50-12-4PR KENDA)	1				



JB62010-S120

FIG. 4 STEERING

REF. NO.	PART NO.	DESCRIPTION	JB14	REMARKS
1	JY6-23810-00	STEERING COLUMN ASSY	1	
2	J50-23857-00	.HOLDER	2	
3	JN5-23838-00	WHEEL, STEERING	1	
4	95602-12100	NUT, U	1	
5	90201-12190	WASHER, PLATE	1	
6	95702-08500	NUT, FLANGE	4	
7	95812-08020	BOLT, FLANGE	1	
8	JB6-2386N-01	STOPPER	1	
9	JX4-23400-01	STEERING ASSY	1	
10	JX4-2387A-01	.GEAR, PINION	1	
11	JX4-2384N-00	.CLIP, RING	1	
12	JX4-23812-00	.BEARING, STEERING	1	
13	JX4-2387E-00	.GEAR, RACK	1	
14	JR7-2387G-00	.COVER, ADJUST	1	
15	JR7-2387K-00	.SPRING, PRESSURE	1	
16	JR7-2387F-00	.PAD, PRESSURE	1	
17	JR7-2387J-00	.RING, STOPPER	1	
18	JR7-23844-00	.SEAL	1	
19	JR7-23848-00	.BOOTS B	2	
20	JX4-23837-00	.ROD, TIE 2	2	
21	JR7-2467K-00	.BUSH CAP	1	
22	JR7-23866-00	.RING, SNAP	1	
23	JR7-23894-00	.WASHER, LOCK 1	2	
24	JR7-23833-00	.NUT 1	2	
25	JX4-23841-00	.JOINT, UNIVERSAL 1	2	
26	JX4-23445-00	.BUSH	6	
27	JX4-23417-00	.COLLAR	3	

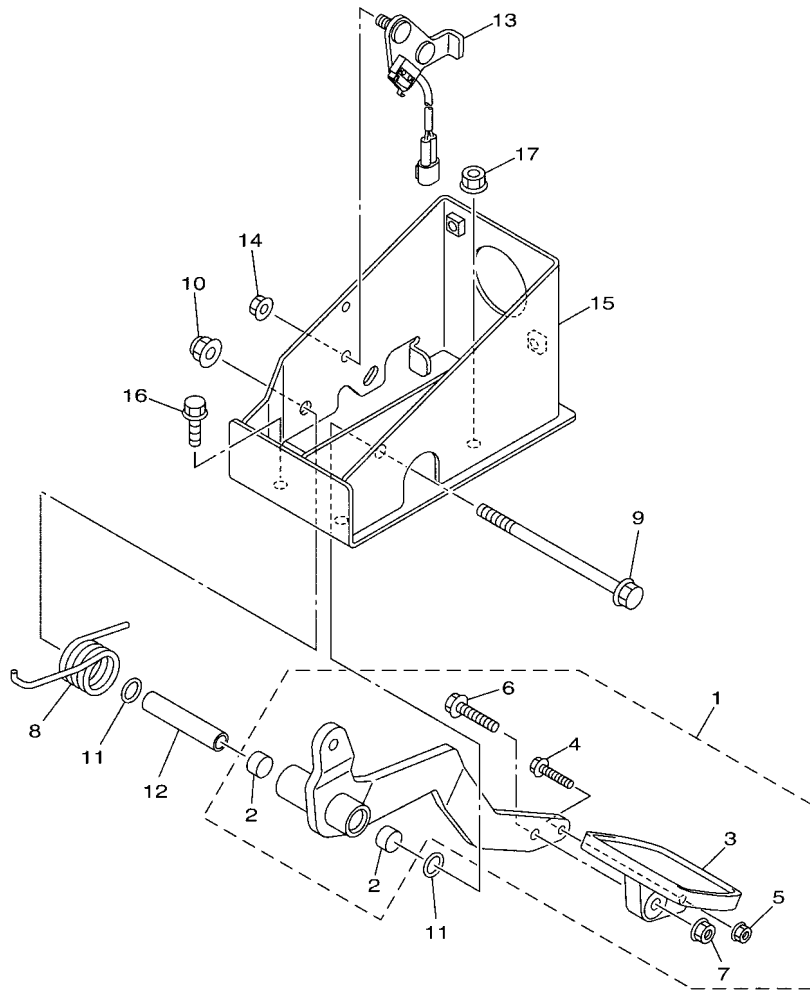


JB62010-S120

FIG. 4 STEERING

REF. NO.	PART NO.	DESCRIPTION	JB14	REMARKS
28	JR9-23823-01	JOINT 2	1	
29	JX4-23876-00	BOLT	1	
30	JX4-23427-00	WASHER	1	
31	90105-10283	BOLT, FLANGE	3	
32	90201-105A2	WASHER, PLATE	3	
33	90171-12001	NUT, CASTLE	2	
34	91402-25020	PIN, COTTER	2	
35	JX4-23876-00	BOLT	1	
36	JX4-23427-00	WASHER	1	
37	JN5-78357-10	HOLDER 1	1	
38	JY6-77762-10	LABEL, WARNING 2	1	
39	JX4-78358-00	HOLDER 2	1	
40	97707-40525	SCREW, TAPPING	2	
41	90201-044H9	WASHER, PLATE	2	
42	90502-10013	SPRING, CONICAL	2	
43	90387-046N7	COLLAR	2	

FIG. 5 BRAKE



REF. NO.	PART NO.	DESCRIPTION	JB14				REMARKS
1	JB2-27200-00	PEDAL, BRAKE	1				
2	90384-14080	.BUSH, BIMETAL FORMED	2				
3	JB2-27211-00	.PEDAL, BRAKE	1				
4	95822-06030	.BOLT, FLANGE	1				
5	95702-06500	.NUT, FLANGE	1				
6	95802-08035	.BOLT, FLANGE	1				
7	95702-08500	.NUT, FLANGE	1				
8	90508-40015	SPRING, TORSION	1				
9	95812-10090	BOLT, FLANGE	1				
10	90185-10019	NUT, SELF-LOCKING	1				
11	93210-132A8	O-RING	2				
12	90387-10109	COLLAR	1				
13	JB2-82530-00	STOP SWITCH ASSY	1				
14	95702-08500	NUT, FLANGE	2				
15	JB2-27263-00	BRACKET 1	1				
16	95822-08014	BOLT, FLANGE	2				
17	95702-08500	NUT, FLANGE	1				



JB21010-P170

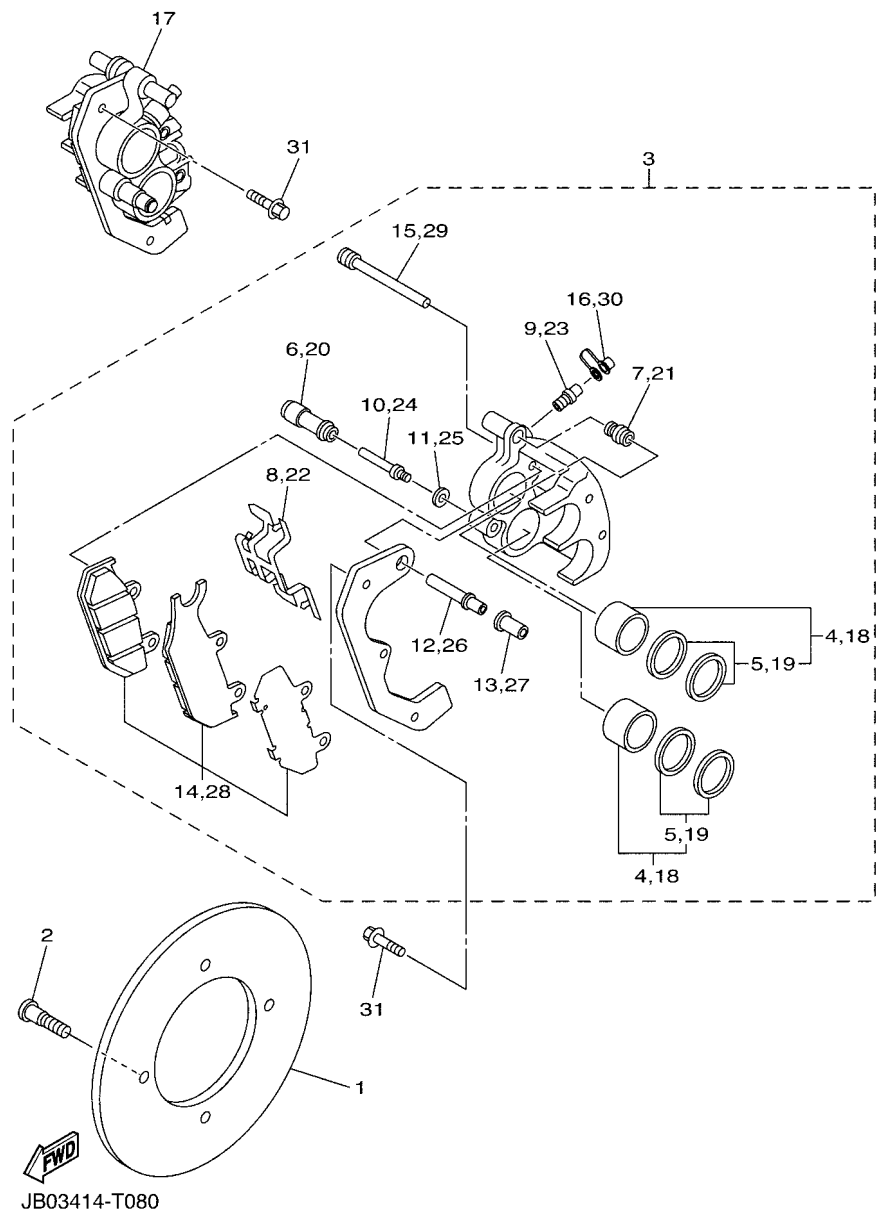
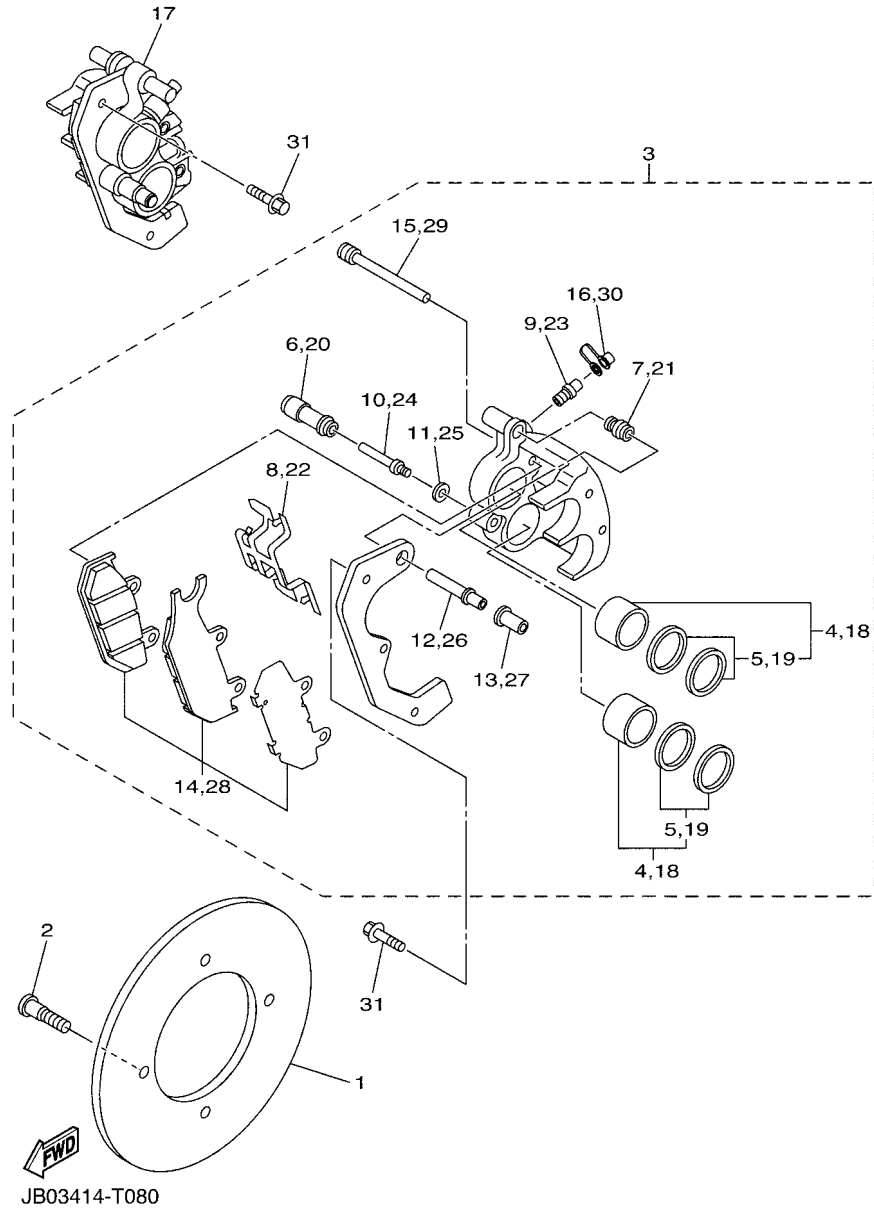


FIG. 6 BRAKE 2

REF. NO.	PART NO.	DESCRIPTION	JB14				REMARKS
1	JX2-2582T-00	DISC, BRAKE	2				
2	90109-08221	BOLT	8				
3	JX2-2580T-02	CALIPER ASSY (LEFT)	1				
4	3TB-W0057-00	.PISTON ASSY, CALIPER	2				
5	3GD-W0047-00	..CALIPER SEAL KIT	1				
6	1UY-25937-51	.BOOT 2	1				
7	3JD-25917-00	.BOOT, CALIPER	1				
8	JX2-25919-00	.SUPPORT, PAD	1				
9	1UY-25824-51	.SCREW, BLEED	1				
10	1UY-25926-51	.BOLT	1				
11	1UY-25938-51	.WASHER, SPRING	1				
12	3JD-25926-00	.BOLT	1				
13	JX2-25961-00	.NUT	1				
14	JX2-W0045-11	.BRAKE PAD KIT	1				
15	3TB-25933-00	.WASHER, PAD PIN	2				
16	1UY-25825-51	.CAP	1				
17	JX2-2580U-02	CALIPER ASSY (RIGHT)	1				
18	3TB-W0057-00	.PISTON ASSY, CALIPER	2				
19	3GD-W0047-00	..CALIPER SEAL KIT	1				
20	1UY-25937-51	.BOOT 2	1				
21	3JD-25917-00	.BOOT, CALIPER	1				
22	JX2-25919-00	.SUPPORT, PAD	1				
23	1UY-25824-51	.SCREW, BLEED	1				
24	1UY-25926-51	.BOLT	1				
25	1UY-25938-51	.WASHER, SPRING	1				
26	3JD-25926-00	.BOLT	1				
27	JX2-25961-00	.NUT	1				

FIG. 6 BRAKE 2



REF. NO.	PART NO.	DESCRIPTION	JB14				REMARKS
28	JX2-W0045-21	.BRAKE PAD KIT	1				
29	3TB-25933-00	.WASHER, PAD PIN	2				
30	1UY-25825-51	.CAP	1				
31	90105-102A9	BOLT, FLANGE	4				

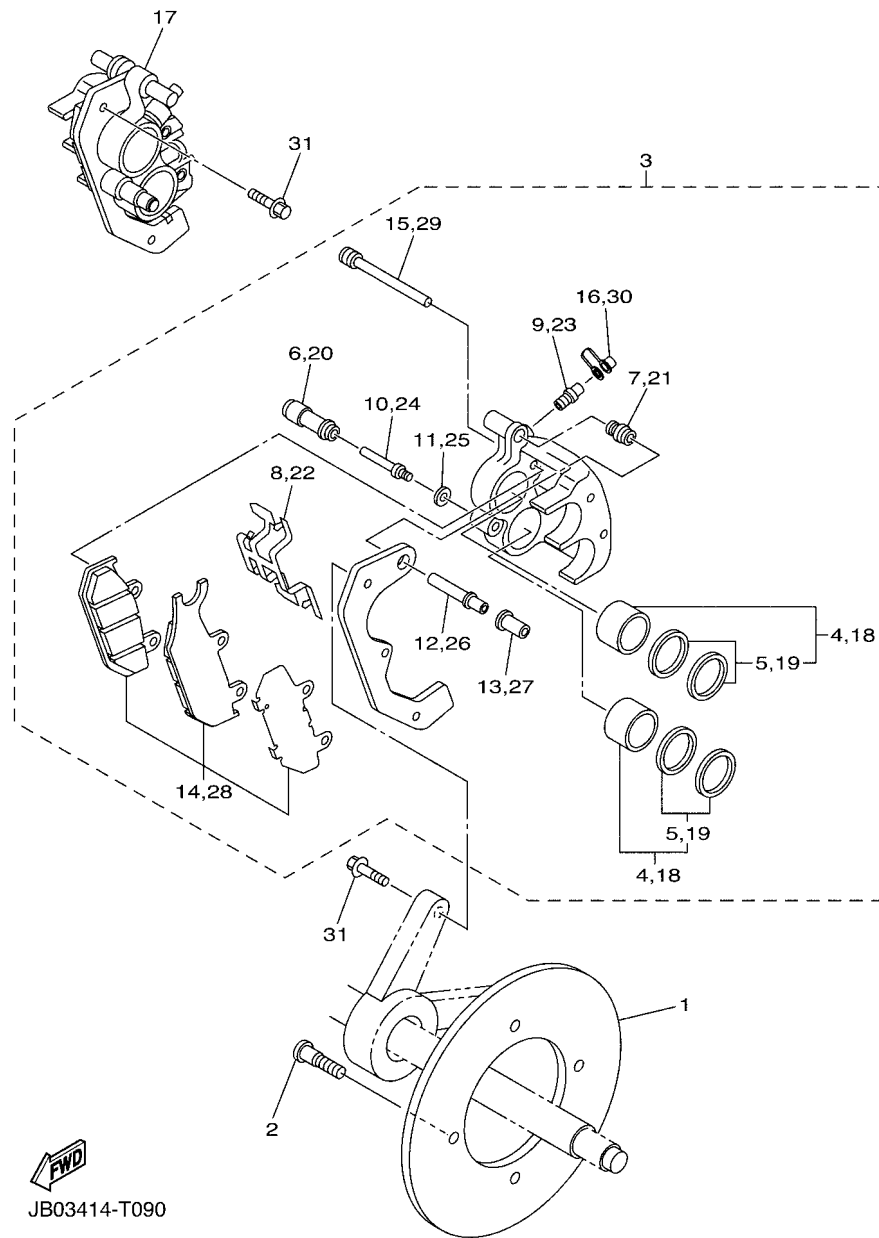
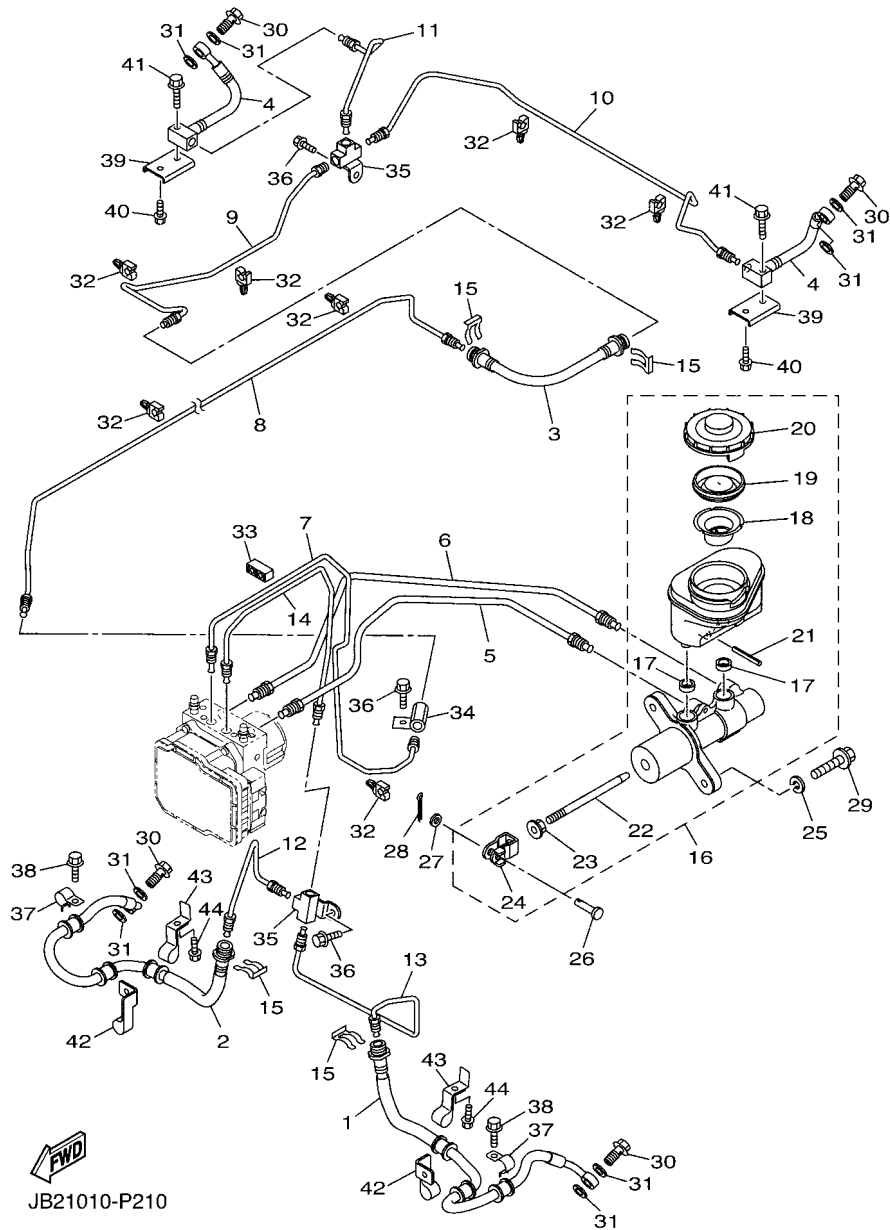


FIG. 7 BRAKE 3

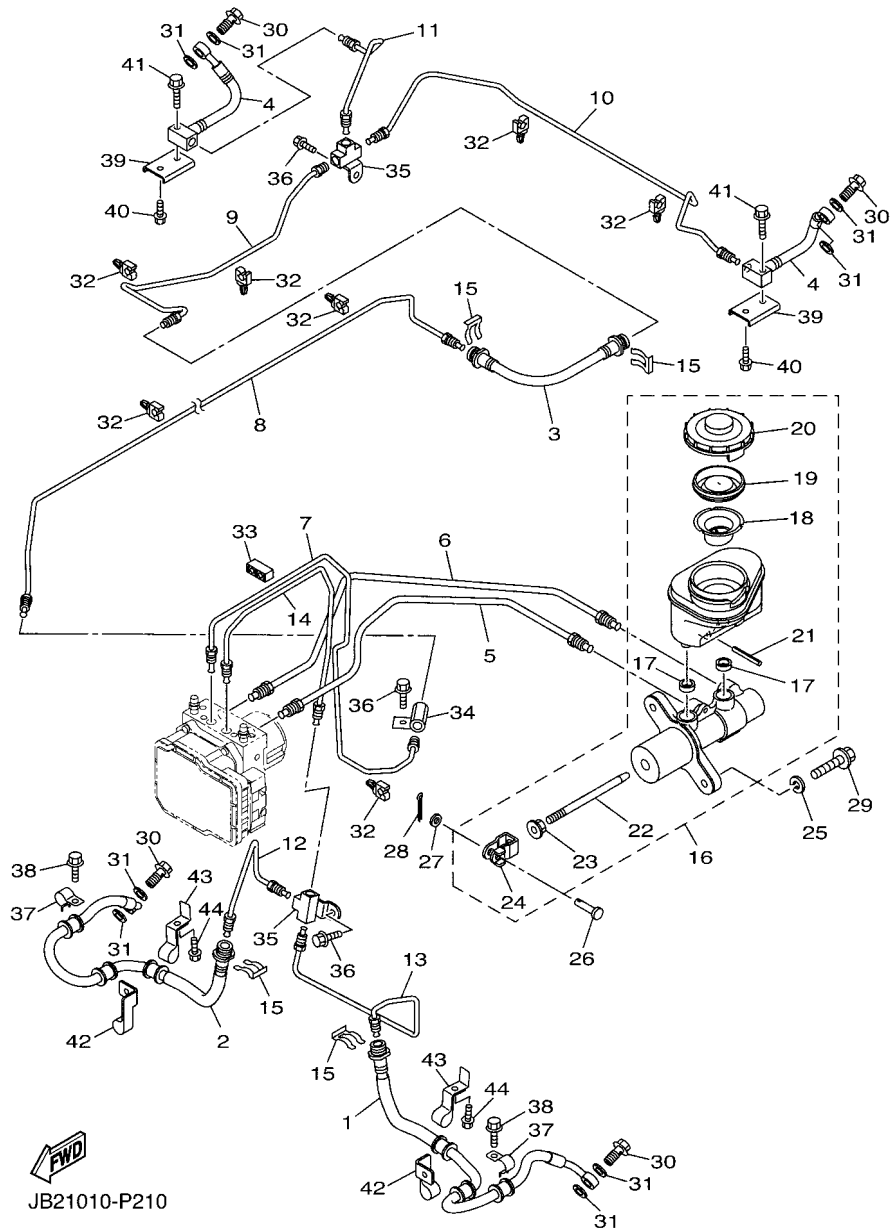
REF. NO.	PART NO.	DESCRIPTION	JB14				REMARKS
1	JX2-2582T-00	DISC, BRAKE	2				
2	90109-08221	BOLT	8				
3	JX2-2580T-02	CALIPER ASSY (LEFT)	1				
4	3TB-W0057-00	.PISTON ASSY, CALIPER	2				
5	3GD-W0047-00	..CALIPER SEAL KIT	1				
6	1UY-25937-51	.BOOT 2	1				
7	3JD-25917-00	.BOOT, CALIPER	1				
8	JX2-25919-00	.SUPPORT, PAD	1				
9	1UY-25824-51	.SCREW, BLEED	1				
10	1UY-25926-51	.BOLT	1				
11	1UY-25938-51	.WASHER, SPRING	1				
12	3JD-25926-00	.BOLT	1				
13	JX2-25961-00	.NUT	1				
14	JX2-W0045-11	.BRAKE PAD KIT	1				
15	3TB-25933-00	.WASHER, PAD PIN	2				
16	1UY-25825-51	.CAP	1				
17	JX2-2580U-02	CALIPER ASSY (RIGHT)	1				
18	3TB-W0057-00	.PISTON ASSY, CALIPER	2				
19	3GD-W0047-00	..CALIPER SEAL KIT	1				
20	1UY-25937-51	.BOOT 2	1				
21	3JD-25917-00	.BOOT, CALIPER	1				
22	JX2-25919-00	.SUPPORT, PAD	1				
23	1UY-25824-51	.SCREW, BLEED	1				
24	1UY-25926-51	.BOLT	1				
25	1UY-25938-51	.WASHER, SPRING	1				
26	3JD-25926-00	.BOLT	1				
27	JX2-25961-00	.NUT	1				



JB21010-P210

FIG. 9 FRONT MASTER CYLINDER

REF. NO.	PART NO.	DESCRIPTION	JB14				REMARKS
1	JB2-25872-00	HOSE, BRAKE 1	1				
2	JB2-25873-00	HOSE, BRAKE 2	1				
3	JB2-25874-00	HOSE, BRAKE	1				
4	JB2-2581J-00	HOSE, BRAKE 4	2				
5	JB2-2588H-00	PIPE, BRAKE 9	1				
6	JB2-2588J-00	PIPE, BRAKE 10	1				
7	JB2-25871-00	PIPE, BRAKE	1				
8	JX2-25882-10	PIPE, BRAKE 2	1				
9	JX3-25883-10	PIPE, BRAKE 3	1				
10	JB2-2588A-00	PIPE, BRAKE 4	1				
11	JB2-2588B-00	PIPE, BRAKE 5	1				
12	JX2-2588C-10	PIPE, BRAKE 6	1				
13	JY2-2588D-00	PIPE, BRAKE 7	1				
14	JB2-2588E-00	PIPE, BRAKE 8	1				
15	2GU-25866-00	CIRCLIP	4				
16	JB2-2583T-00	MASTER CYLINDER ASSY	1				
17	JB2-26326-00	.GROMMET	2				
18	JB2-25896-00	.PLATE, RESERVOIR	1				
19	JB2-25816-00	.SEAL, DUST	1				
20	JB2-25852-00	.CAP, RESERVOIR	1				
21	JB2-25826-00	.BOLT 3	1				
22	JB2-25880-00	.PUSH ROD COMP.	1				
23	JB2-27218-00	.NUT	1				
24	JB2-27222-00	.JOINT	1				
25	92902-08100	WASHER, SPRING	2				
26	JB2-27229-00	PIN, JOINT	1				
27	90201-08088	WASHER, PLATE	1				

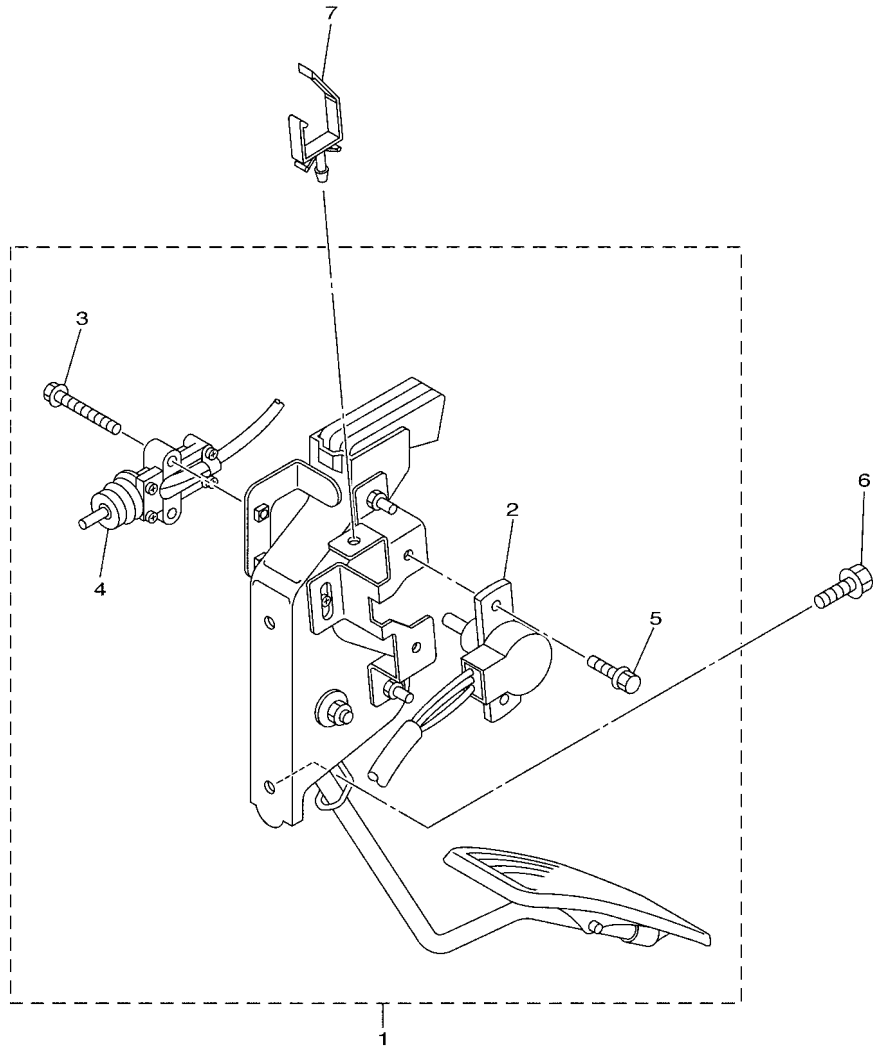


JB21010-P210

FIG. 9 FRONT MASTER CYLINDER

REF. NO.	PART NO.	DESCRIPTION	JB14				REMARKS
28	91490-25020	PIN. COTTER	1				
29	95812-08025	BOLT, FLANGE	2				
30	90401-10015	BOLT, UNION	4				
31	90201-10118	WASHER, PLATE	8				
32	5GM-81677-00	CLAMP 1	6				
33	90464-04002	CLAMP	2				
34	JX2-25885-11	JOINT	1				
35	JX2-2582A-00	JOINT	2				
36	95022-06012	BOLT, FLANGE	3				
37	5KM-25875-00	HOLDER, BRAKE HOSE 1	2				
38	95D02-06012	BOLT, FLANGE DEEP RECESS	2				
39	JB2-25876-00	HOLDER, BRAKE HOSE 2	2				
40	95D02-06012	BOLT, FLANGE DEEP RECESS	2				
41	95D02-06025	BOLT, FLANGE DEEP RECESS	2				
42	JX2-25887-00	HOLDER, BRAKE HOSE	2				
43	JX2-2587A-00	HOLDER, BRAKE HOSE	2				
44	90109-06302	BOLT	2				

FIG. 10 ACCELERATOR

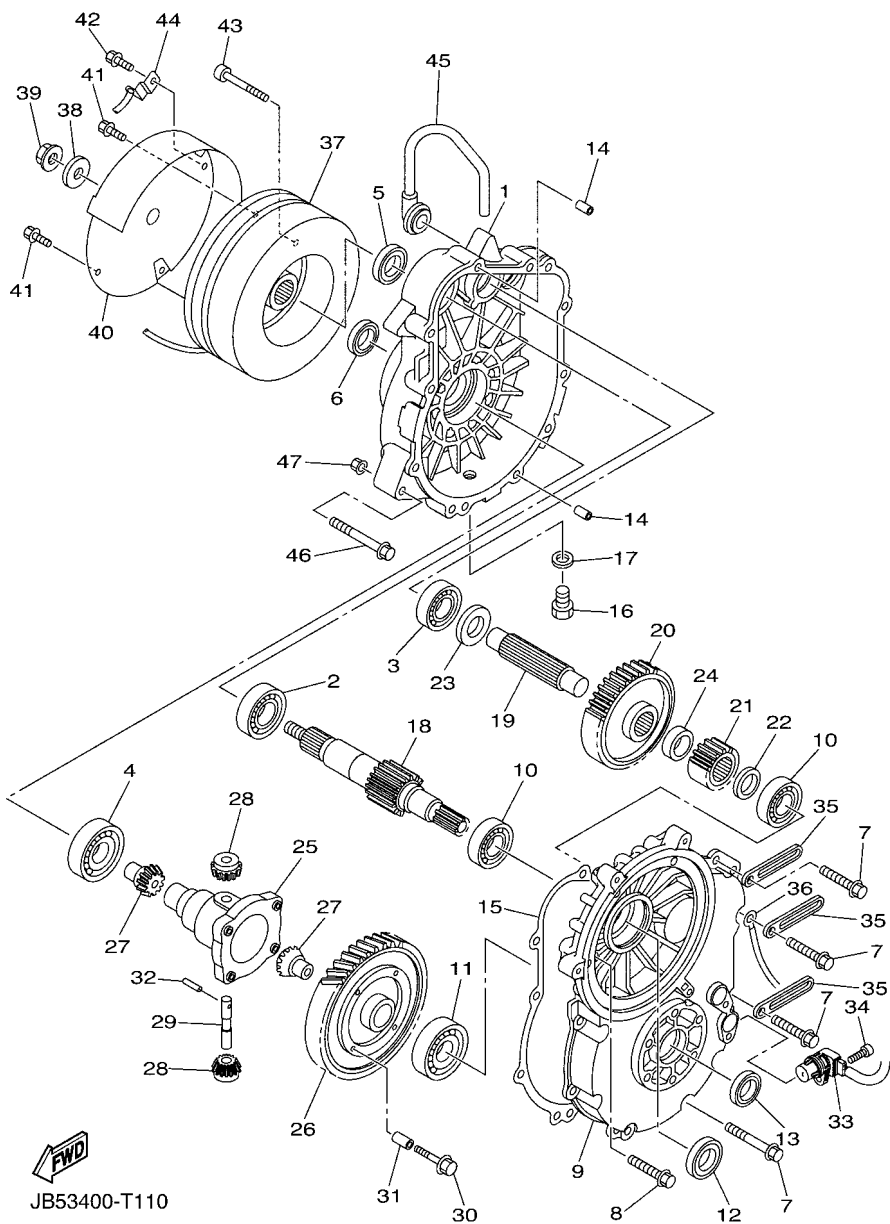


REF. NO.	PART NO.	DESCRIPTION	JB14	REMARKS
1	JY2-27801-01	ACCEL PEDAL ASSY	1	
2	JN9-85885-00	.THROTTLE SENSORASSY	1	
3	90105-05331	.BOLT, FLANGE	2	
4	JF7-82817-22	.SWITCH	1	
5	97507-05512	.BOLT, WITH WASHER	2	
6	95D02-06012	BOLT, FLANGE DEEP RECESS	2	
7	90464-16021	CLAMP	1	



JB21010-P220

FIG. 11 TRANSAXLE



REF. NO.	PART NO.	DESCRIPTION	JB14	REMARKS
1	JB8-46311-00	CASE, TRANSMISSION 1	1	
2	93306-20501	BEARING	1	
3	93306-20401	BEARING	1	
4	93306-00810	BEARING	1	
5	93102-25017	OIL SEAL	1	
6	93102-25360	OIL SEAL	1	
7	95D32-08040	BOLT, FLANGE DEEP RECESS	8	
8	95822-08050	BOLT, FLANGE	2	
9	JB8-46312-00	CASE, TRANSMISSION 2	1	
10	93306-20401	BEARING	2	
11	93306-00810	BEARING	1	
12	93102-20143	OIL SEAL	1	
13	93102-25360	OIL SEAL	1	
14	99530-12016	PIN, DOWEL	2	
15	JX3-46319-00	GASKET	1	
16	90340-14036	PLUG, STRAIGHT SCREW	1	
17	90430-14043	GASKET	1	
18	JB3-46321-00	SHAFT, INPUT	1	
19	JB3-46351-00	SHAFT, COUNTER	1	
20	JB3-46361-00	GEAR, COUNTER 1	1	
21	JB3-46362-00	GEAR, COUNTER 2	1	
22	90201-20032	WASHER, PLATE	1	
23	90201-20033	WASHER, PLATE	1	
24	90387-252M8	COLLAR	1	
25	JB2-46411-00	CASE, DIFFERENTIAL	1	
26	JB3-46421-00	GEAR, RING	1	
27	JB2-46414-00	GEAR, DIFFERENTIAL SIDE	2	

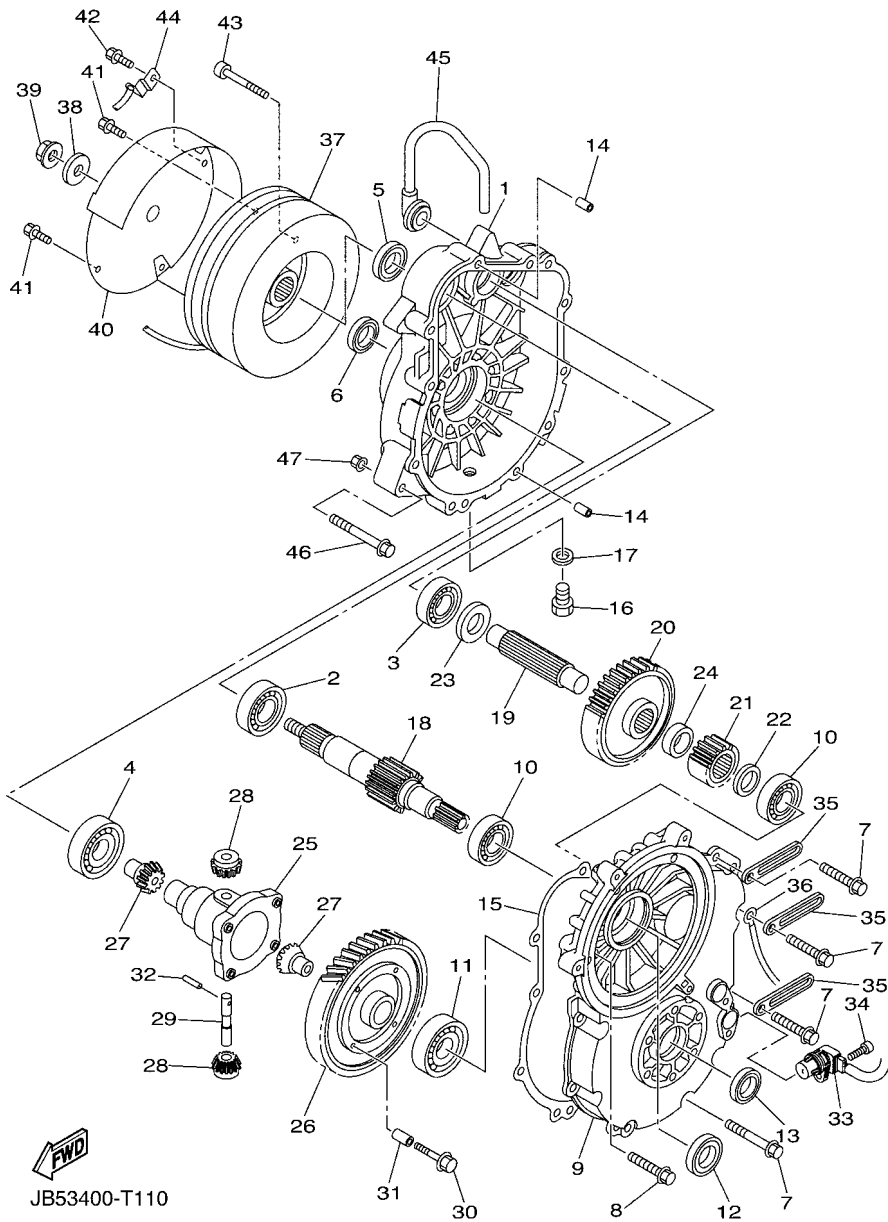
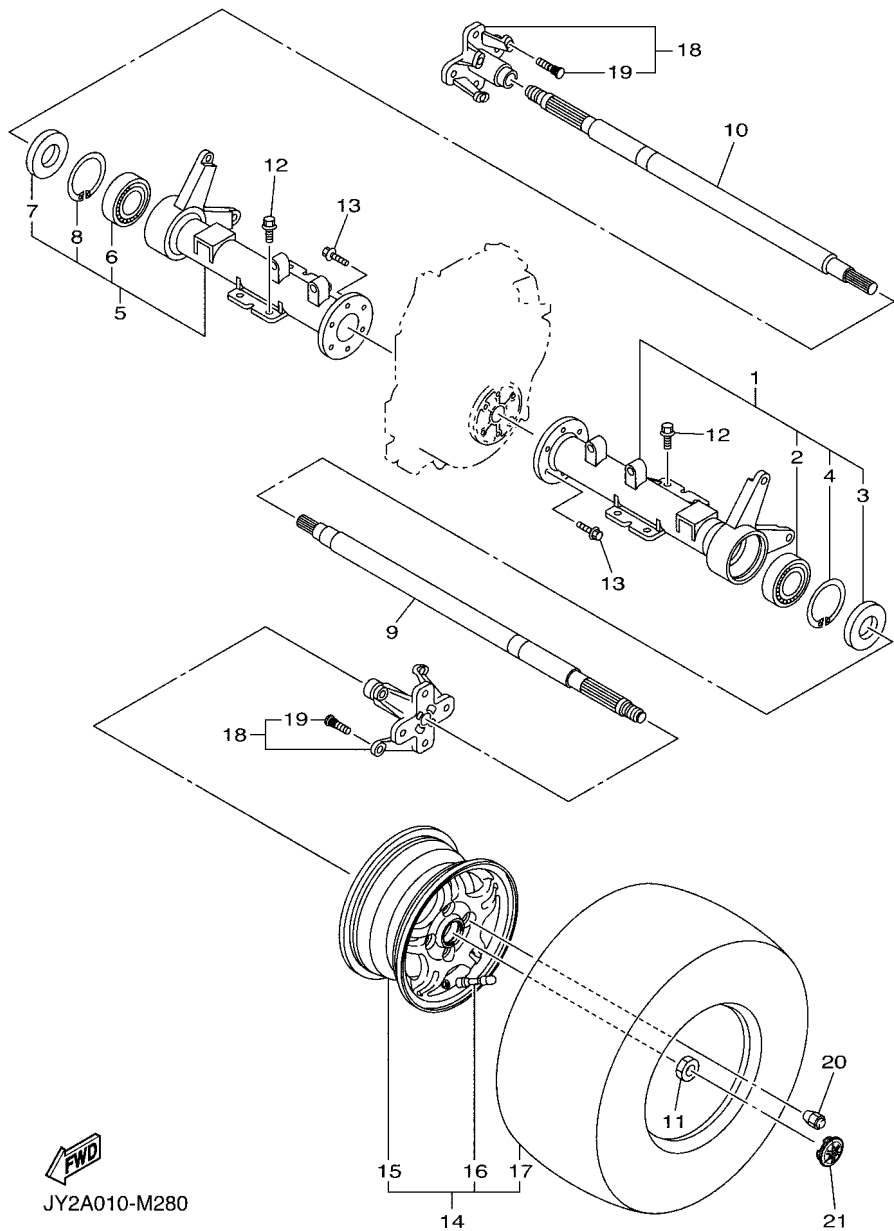


FIG. 11 TRANSAXLE

REF. NO.	PART NO.	DESCRIPTION	JB14				REMARKS
28	JB2-46415-00	PINION, DIFFERENTIAL	2				
29	JB2-46417-00	PIN, DIFFERENTIAL	1				
30	90105-10348	BOLT, FLANGE	4				
31	99530-14016	PIN, DOWEL	2				
32	91609-40040	PIN, SPRING	1				
33	JB2-86281-00	SENSOR, SPEED	1				
34	90110-06091	BOLT, HEXAGON SOCKET HEAD	1				
35	90462-08007	CLAMP	3				
36	JY3-82519-00	WIRE, EARTH LEAD	1				
37	JX3-86290-00	ELECTRO MAGNETIC BRAKE ASSY	1				
38	90201-12195	WASHER, PLATE	1				
39	95602-12200	NUT, SELF-LOCKING	1				
40	JX2-8234W-01	COVER, CAP	1				
41	95D02-06010	BOLT, FLANGE DEEP RECESS	2				
42	90105-06452	BOLT, FLANGE	1				
43	91317-08045	BOLT, HEX. SOCKET HEAD	3				
44	JY3-83688-00	SENSOR ASSY	1				
45	JN3-47559-00	CAP 2	1				
46	95812-08075	BOLT, FLANGE	1				
47	90179-08491	NUT	1				

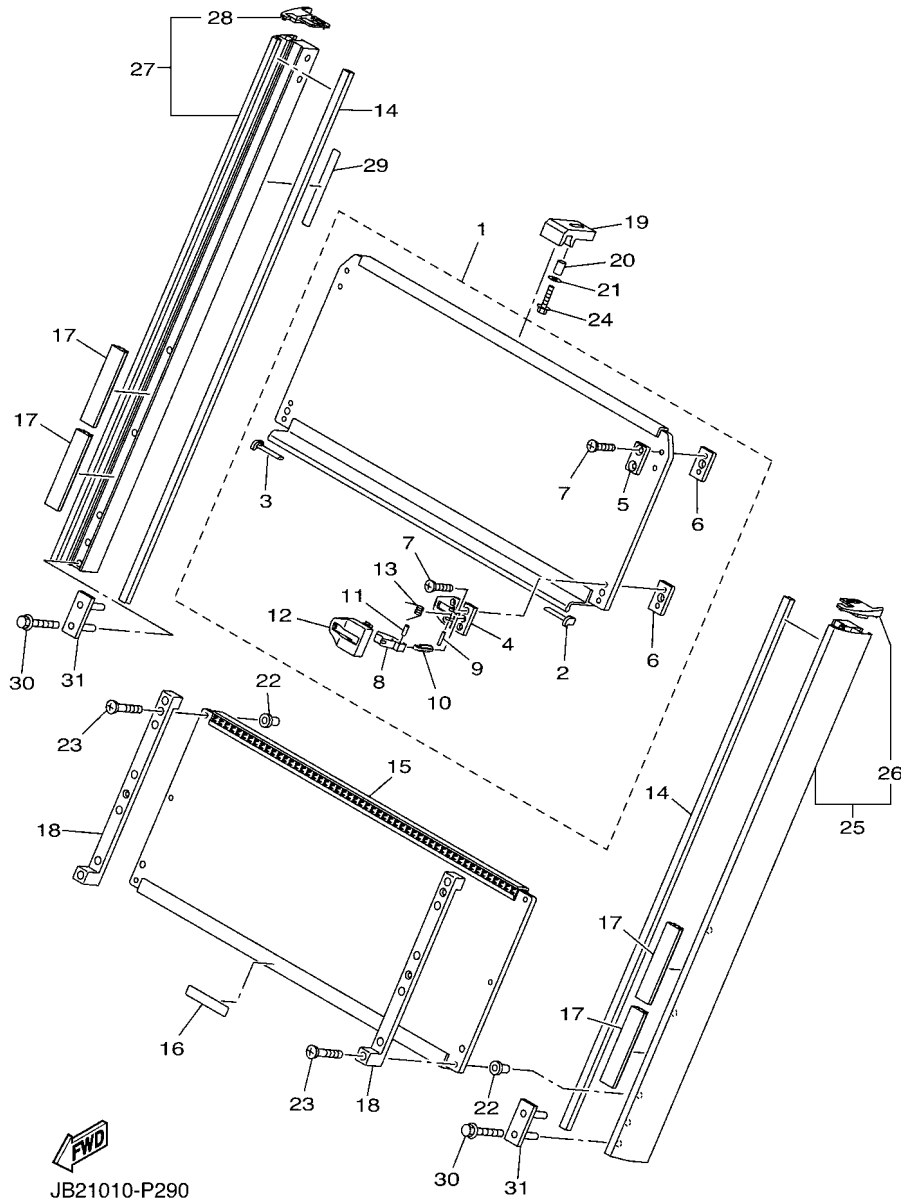


JY2A010-M280

FIG. 12 REAR AXLE & WHEEL

REF. NO.	PART NO.	DESCRIPTION	JB14	REMARKS
1	JX2-46540-00	REAR AXLE HOUSING COMP.	1	
2	93306-30578	.BEARING	1	
3	93102-35109	.OIL SEAL (SD-35-62-6 HS)	1	
4	99009-62500	.CIRCLIP	1	
5	JX2-46550-00	REAR AXLE HOUSING COMP. 2	1	
6	93306-30578	.BEARING	1	
7	93102-35109	.OIL SEAL (SD-35-62-6 HS)	1	
8	99009-62500	.CIRCLIP	1	
9	JY2-46511-00	SHAFT, REAR AXLE 1 (L.H)	1	
10	JY2-46512-00	SHAFT, REAR AXLE 2 (R.H)	1	
11	90179-20016	NUT	2	
12	90101-10038	BOLT	8	
13	95812-10030	BOLT, FLANGE	12	
14	JY2-25100-00	AL WHEEL ASSY (190/50-12-4PR)	2	
15	JY8-25180-00	.WHEEL COMP. (ALUMINIUM)	1	
16	93900-00022	.VALVE, RIM (TR413)	1	TAIHEIYO
17	JX4-2510S-20	.TIRE (190/50-12-4PR KENDA)	1	
18	JB2-25310-00	HUB ASSY	2	
19	90114-10019	.BOLT, SERRATION	4	
20	90179-10031	NUT	8	
21	JY8-2512A-01	CAP, WHEEL	2	

FIG. 13 WINDSHIELD(SPLIT TYPE)



REF. NO.	PART NO.	DESCRIPTION	JB14				REMARKS
1	JB2-77201-02	UPPER WINDSHIELD ASSY	1				
2	JB2-77213-00	.TRIM, UPPER	1				
3	JB2-77214-00	.TRIM, LOWER	1				
4	JB2-77261-00	.LINING, SHROUD 1	2				
5	JB2-77262-00	.LINING, SHROUD 2	2				
6	JX4-77217-00	.NUT, WIND SHIELD	4				
7	98780-06014	.SCREW, FLAT HEAD	8				
8	JY3-77223-00	.FASTNER	2				
9	91690-20020	.PIN, SPRING	2				
10	JY2-77212-10	.BOLT, WIND SHIELD	2				
11	91690-30012	.PIN, SPRING	2				
12	JY3-77263-01	.LINING, SHROUD 3	2				
13	JY3-77174-00	.SPRING 1	2				
14	JB2-77233-01	TRIM, 7	2				
15	JB2-77202-02	LOWER WINDSHIELD ASSY	1				
16	JY4-77768-10	LABEL, WARNING 8	1				
17	JB2-77283-00	STRIPE 3	4				
18	JB2-77271-00	DAMPER, NOISE 11	2				
19	JB2-77275-00	DAMPER, NOISE 15	1				
20	90387-06553	COLLAR	1				
21	90201-06020	WASHER, PLATE	1				
22	90179-06020	NUT	6				
23	98780-06035	SCREW, FLAT HEAD	6				
24	95880-06025	BOLT, FLANGE	1				
25	JB2-7830A-00	ROOF SUPPORT ASSY 1	1				
26	JB2-7813F-00	.COVER, SIDE PILLAR (L.H)	1				
27	JB2-7830B-00	ROOF SUPPORT ASSY 2	1				

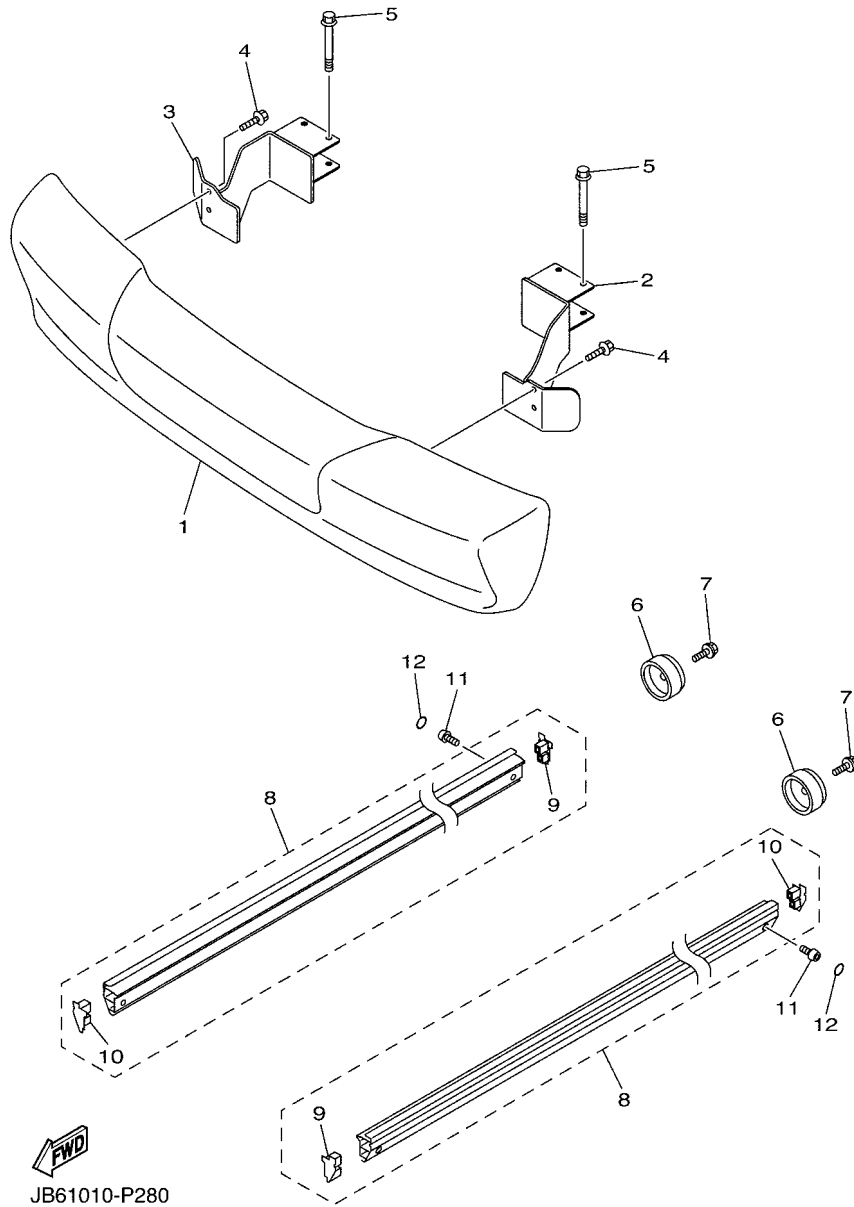


FIG. 14 BUMPER

REF. NO.	PART NO.	DESCRIPTION	JB14				REMARKS
1	JB2-77510-00	FRONT BUMPER COMP.	1				
2	JX4-78164-00	STAY, FRONT BUMPER (L.H)	1				
3	JX4-78165-00	STAY, FRONT BUMPER (R.H)	1				
4	95D32-06012	BOLT, FLANGE DEEP RECESS	4				
5	95827-08065	BOLT, FLANGE	4				
6	JX4-77520-00	BUMPER COMP 1	2				
7	95022-08025	BOLT, FLANGE	2				
8	JB2-78180-00	SIDE SILL PLATE ASSY	2				
9	JX4-7818E-00	.CAP, PROTECTOR END 1	1				
10	JX4-7818F-00	.CAP, PROTECTOR END 2	1				
11	90111-08027	BOLT,HEX. SOCKET BUTTON	4				
12	JF7-77563-00	COVER, 3	4				

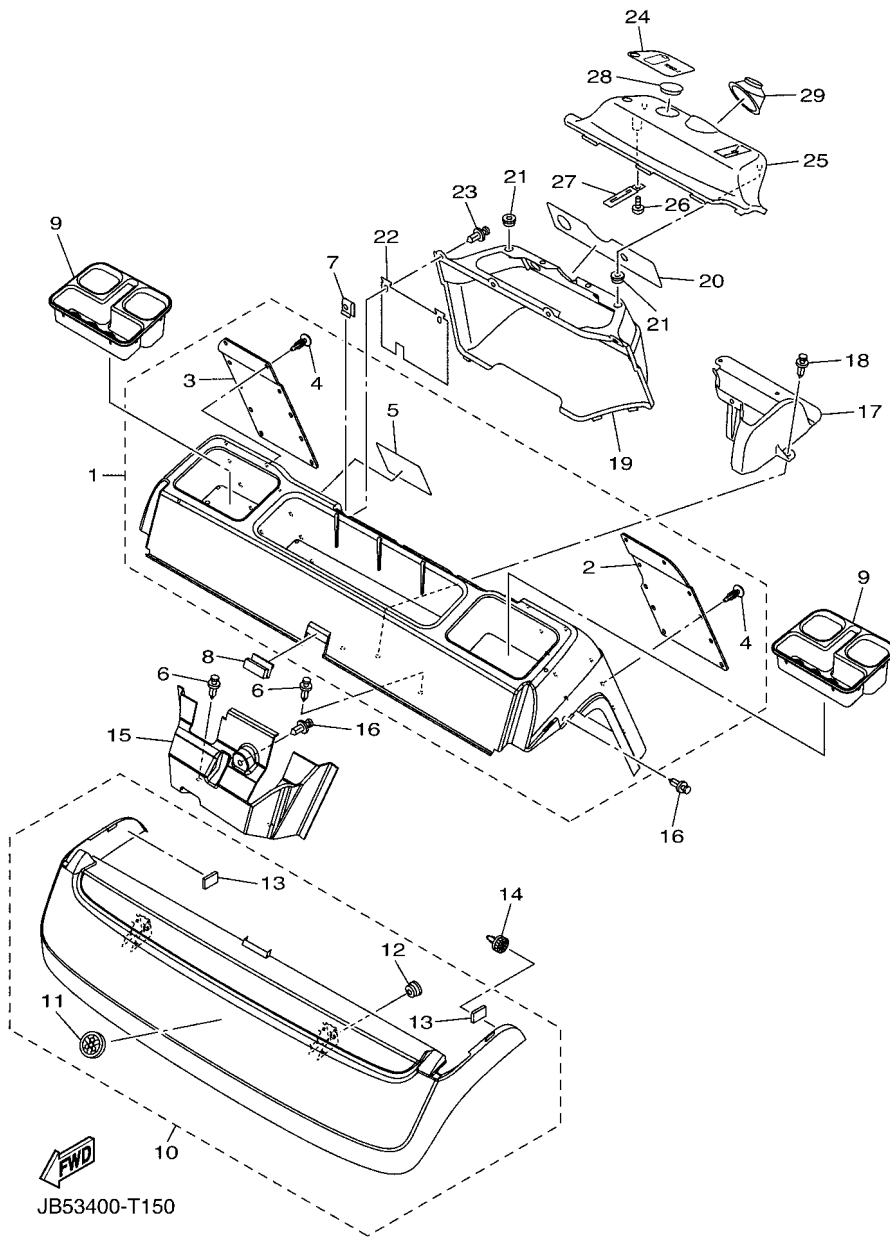


FIG. 15 BODY

REF. NO.	PART NO.	DESCRIPTION	JB14	REMARKS
1	JB2-78100-30	BODY SHELL PANEL ASSY	1	
2	JB2-78243-00	.MAT, REAR BODY SIDE (LH)	1	
3	JB2-78244-00	.MAT, REAR BODY SIDE (RH)	1	
4	90269-07064	.RIVET	20	
5	JB2-78298-20	.PLATE, CAUTION 2	1	
6	90269-10005	RIVET	4	
7	JX4-7814H-00	HOOK, BODY LOCK	4	
8	JY2-78328-20	SPACER 1	1	
9	JX4-7835E-00	HOLDER, BEVERAGE	2	
10	JX4-78101-00	BODY SHELL PANEL SUB-ASSY 1	1	UR FOR RW
	JX4-78101-60	BODY SHELL PANEL SUB-ASSY 1	1	UR FOR DNGM3
	JX4-78101-20	BODY SHELL PANEL SUB-ASSY 1	1	UR FOR DRMD
	JX4-78101-30	BODY SHELL PANEL SUB-ASSY 1	1	UR FOR DPBMC
	JX4-78101-10	BODY SHELL PANEL SUB-ASSY 1	1	UR FOR VDGS1
11	8AC-2414B-01	.EMBLEM	1	
12	90480-13398	.GROMMET	2	
13	JX4-77188-00	.STOPPER	2	
14	JX4-77157-00	PIN, HINGE	2	
15	JY2-78113-00	PANEL, SIDE	1	
16	90269-10005	RIVET	3	
17	JB2-27411-00	FOOTREST 1	1	
18	90269-10005	RIVET	2	
19	JB2-77711-00	PANEL, INSTRUMENT	1	
20	JB5-77741-00	INDICATOR 1	1	
21	90480-13567	GROMMET	2	
22	JX2-78181-00	PLATE 1	1	
23	90269-10005	RIVET	4	

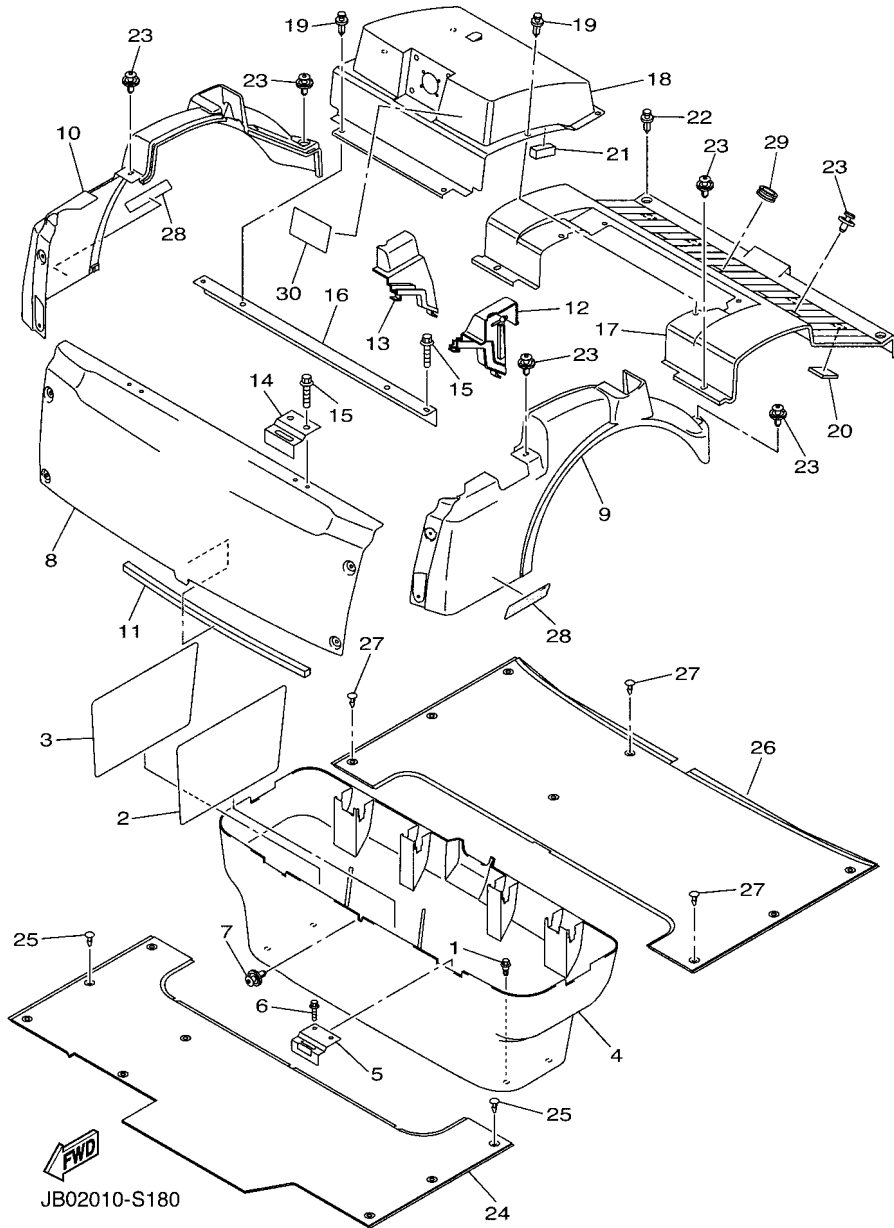


FIG. 16 BODY 2

REF. NO.	PART NO.	DESCRIPTION	JB14	REMARKS
1	90109-06212	BOLT	4	
2	JY2-78117-00	PLATE 1	1	
3	JY2-78118-00	PLATE 2	1	
4	JB3-78141-00	PANEL, INTERMEDIATE BODY	1	
5	JY2-78427-00	HINGE, SEAT 2	2	
6	95D02-06030	BOLT, FLANGE DEEP RECESS	4	
7	90269-07010	RIVET	1	
8	JY2-78142-00	PANEL, REAR BODY	1	
9	JB3-78130-00	SHELL SIDE PANEL ASSY 1	1	UR FOR RW
	JB3-78130-60	SHELL SIDE PANEL ASSY 1	1	UR FOR DNGM3
	JB3-78130-20	SHELL SIDE PANEL ASSY 1	1	UR FOR DRMD
	JB3-78130-30	SHELL SIDE PANEL ASSY 1	1	UR FOR DPBMC
	JB3-78130-10	SHELL SIDE PANEL ASSY 1	1	UR FOR VDGS1
10	JB3-78140-00	SHELL SIDE PANEL ASSY 2	1	UR FOR RW
	JB3-78140-60	SHELL SIDE PANEL ASSY 2	1	UR FOR DNGM3
	JB3-78140-20	SHELL SIDE PANEL ASSY 2	1	UR FOR DRMD
	JB3-78140-30	SHELL SIDE PANEL ASSY 2	1	UR FOR DPBMC
	JB3-78140-10	SHELL SIDE PANEL ASSY 2	1	UR FOR VDGS1
11	JY3-78329-00	SPACER 2	1	
12	JX4-7832H-00	GROMMET, ROOF SUPPORT 3	1	
13	JX4-7833H-00	GROMMET, ROOF SUPPORT 4	1	
14	JX4-78427-00	HINGE, SEAT 2	2	
15	95802-06040	BOLT, FLANGE	6	
16	JX4-2254R-01	SUPPORT, BODY MOUNTING	1	
17	JY3-78150-10	INSPECTION LID ASSY	1	
18	JY3-7813H-00	COVER, VENTILATOR	1	
19	90269-10005	RIVET	6	

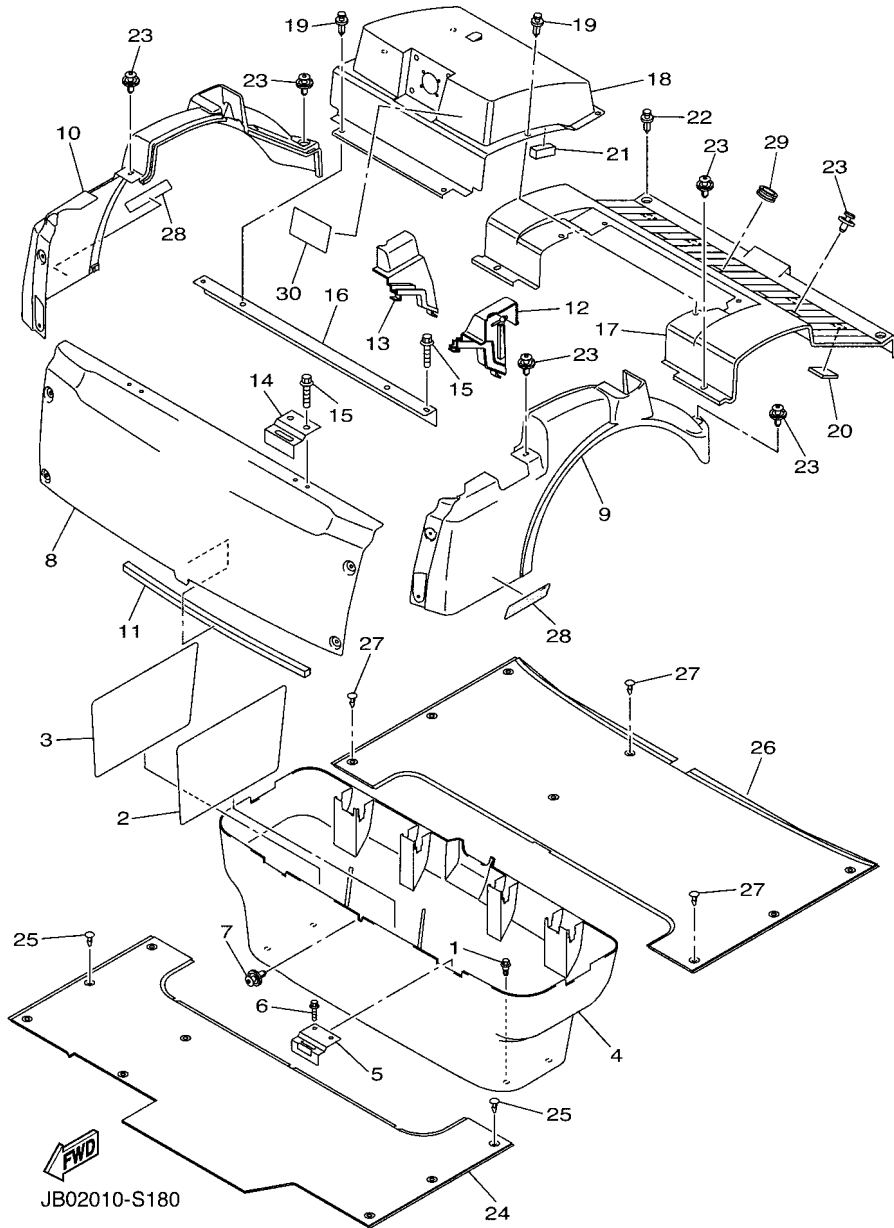
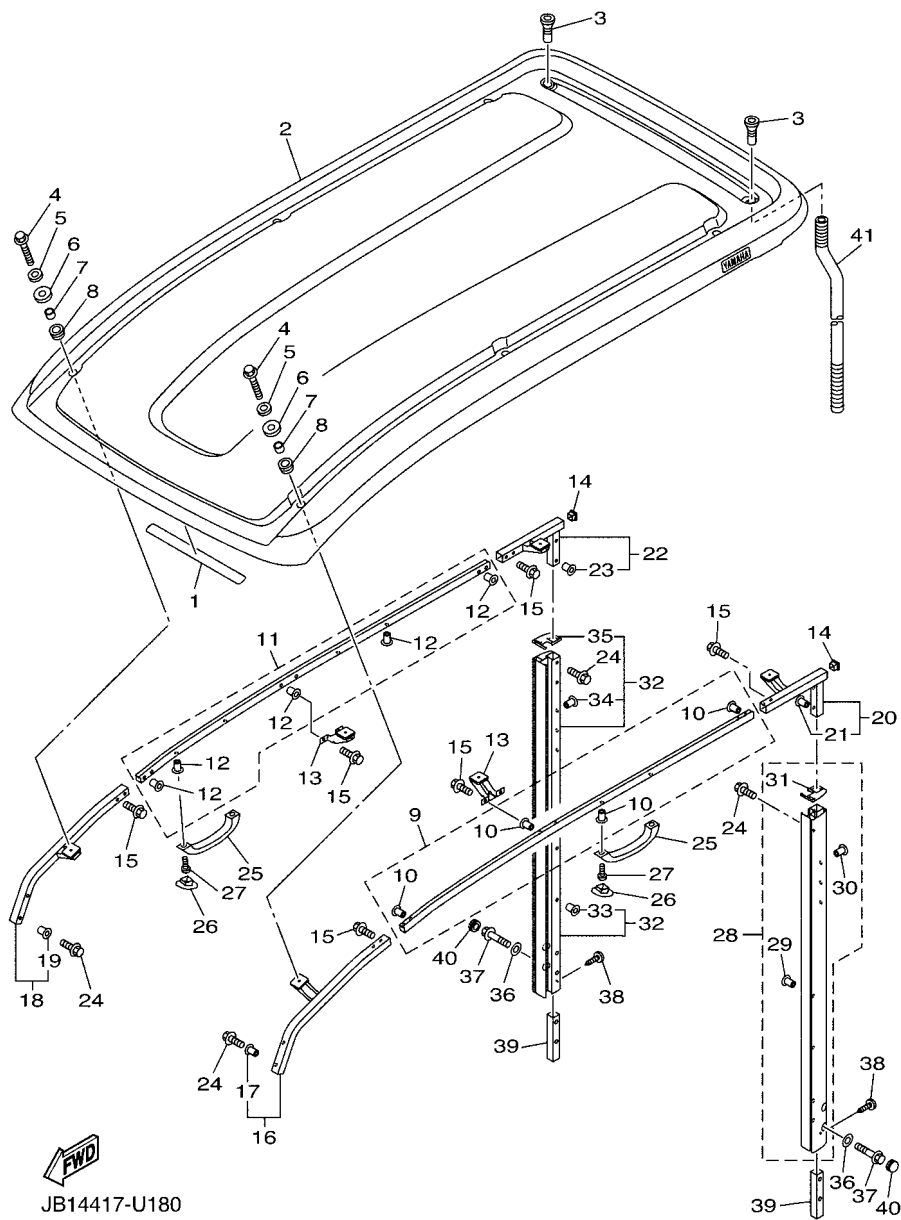


FIG. 16 BODY 2

REF. NO.	PART NO.	DESCRIPTION	JB14	REMARKS
20	JX4-7814E-00	SEAL, BODY SIDE 1	4	
21	JY3-78305-00	DAMPER	1	
22	90269-10005	RIVET	2	
23	90269-07010	RIVET	16	
24	JB2-78231-00	MAT, MAIN FLOOR 1	1	
25	90269-07064	RIVET	9	
26	JB2-78241-00	MAT, REAR FLOOR	1	
27	90269-07064	RIVET	8	
28	JB8-77142-00	EMBLEM 2	2	
29	90338-15004	PLUG	1	
30	JT2-77766-22	LABEL, WARNING 6	1	

FIG. 18 SUN ROOF



REF. NO.	PART NO.	DESCRIPTION	JB14				REMARKS
1	JB5-78299-00	PLATE, CAUTION	1				
2	JB3-78314-00	COVER, SUN ROOF	1				
3	JX4-7832F-00	GROMMET, ROOF SUPPORT 1	2				
4	95880-06030	BOLT, FLANGE	6				
5	90201-06115	WASHER, PLATE	6				
6	90201-06116	WASHER, PLATE	6				
7	90387-15019	COLLAR	6				
8	90480-25004	GROMMET	6				
9	JB2-78392-00	MEMBER, ROOF FRAME	1				
10	90179-06636	.NUT	8				
11	JB2-78393-00	MEMBER, ROOF FRAME 2	1				
12	90179-06636	.NUT	10				
13	JB2-7833K-10	BRACKET, ROOF REAR	2				
14	JX7-7836H-00	CAP, BAG SUPPORT	2				
15	95880-06016	BOLT, FLANGE	12				
16	JB3-7830E-00	SUNROOF PIPE ASSY 1	1				
17	90179-06021	.NUT	2				
18	JB3-7830E-10	SUNROOF PIPE ASSY 1	1				
19	90179-06021	.NUT	2				
20	JB3-7830F-00	SUNROOF PIPE ASSY 2	1				
21	90179-06021	.NUT	2				
22	JB3-7830F-10	SUNROOF PIPE ASSY 2	1				
23	90179-06021	.NUT	2				
24	95880-06020	BOLT, FLANGE	8				
25	JF7-78214-00	GRIP, HAND	3				
26	J50-78274-10	COVER, HOLE 2	6				
27	90157-06068	SCREW, PAN HEAD	6				

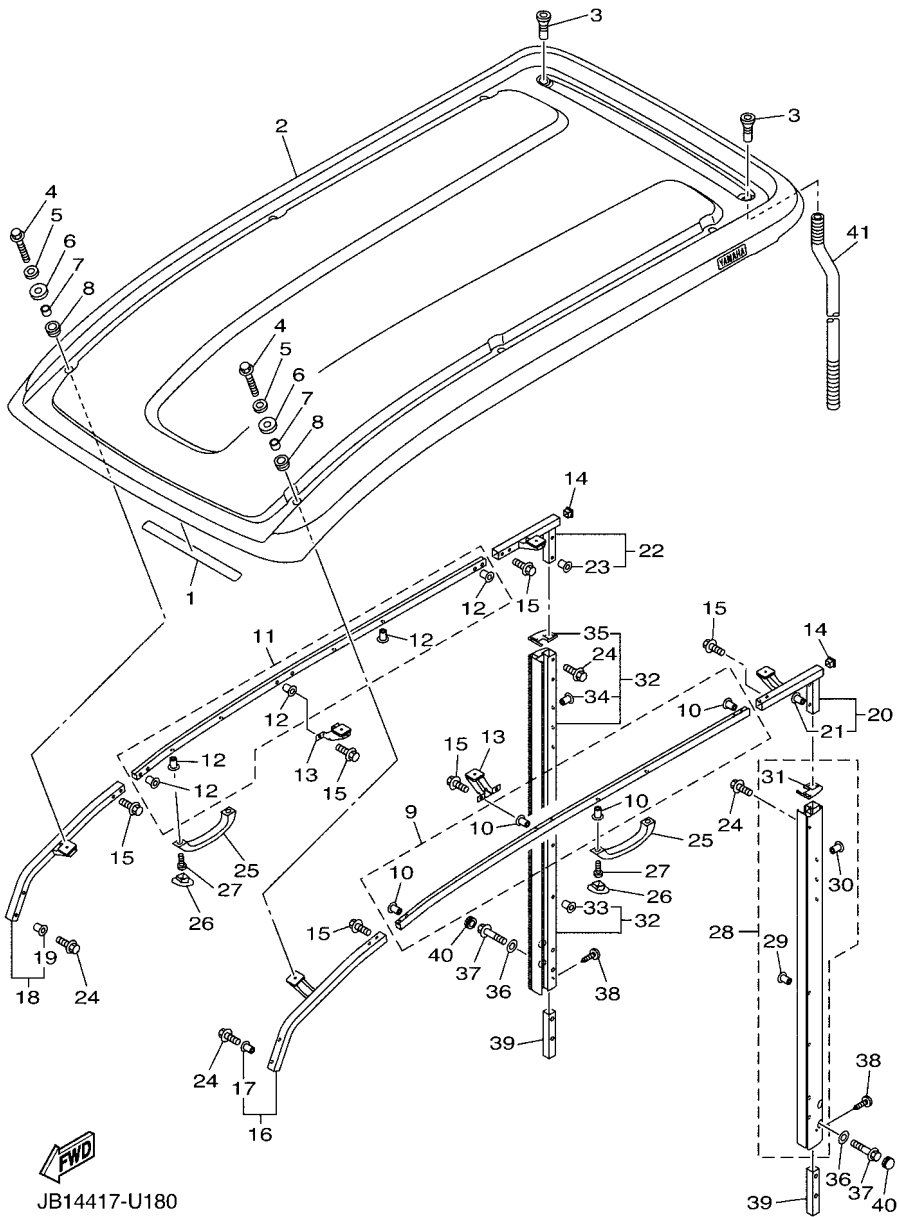
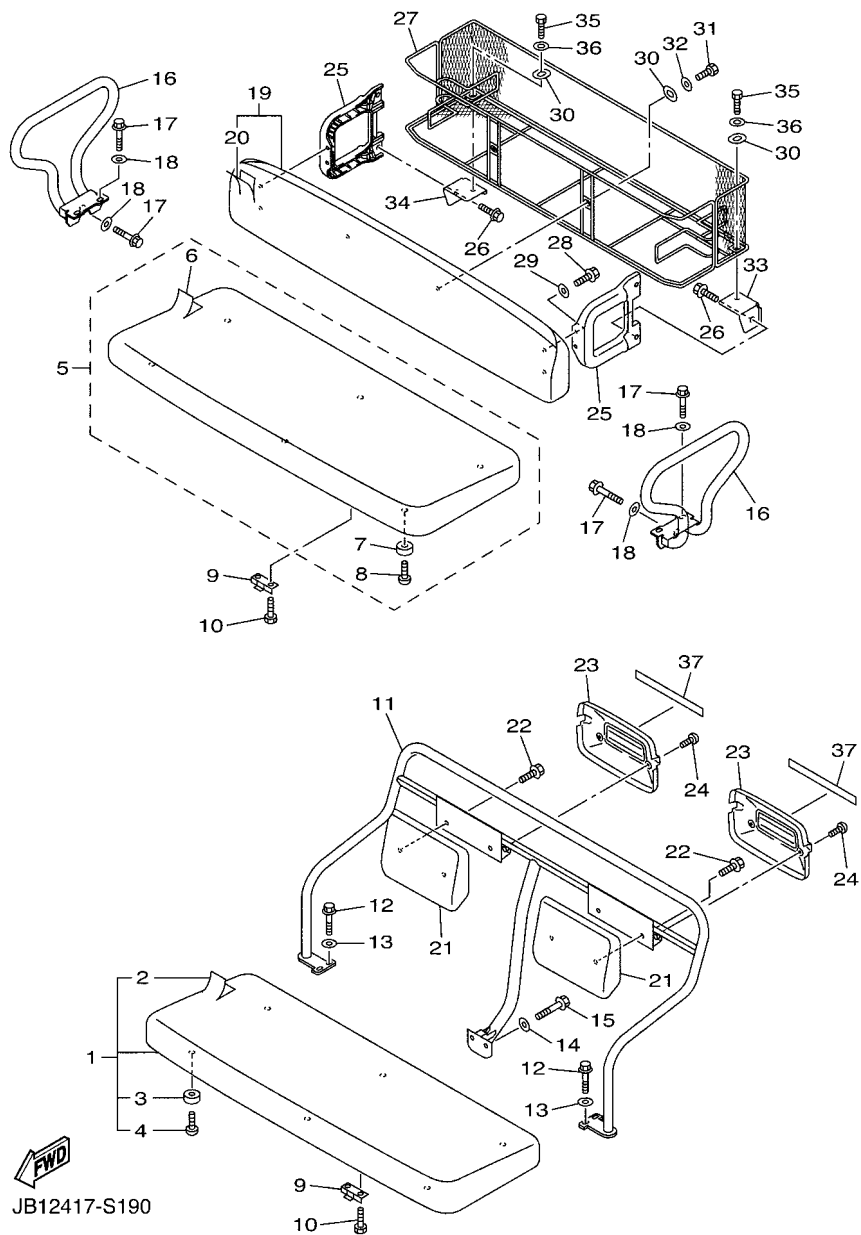


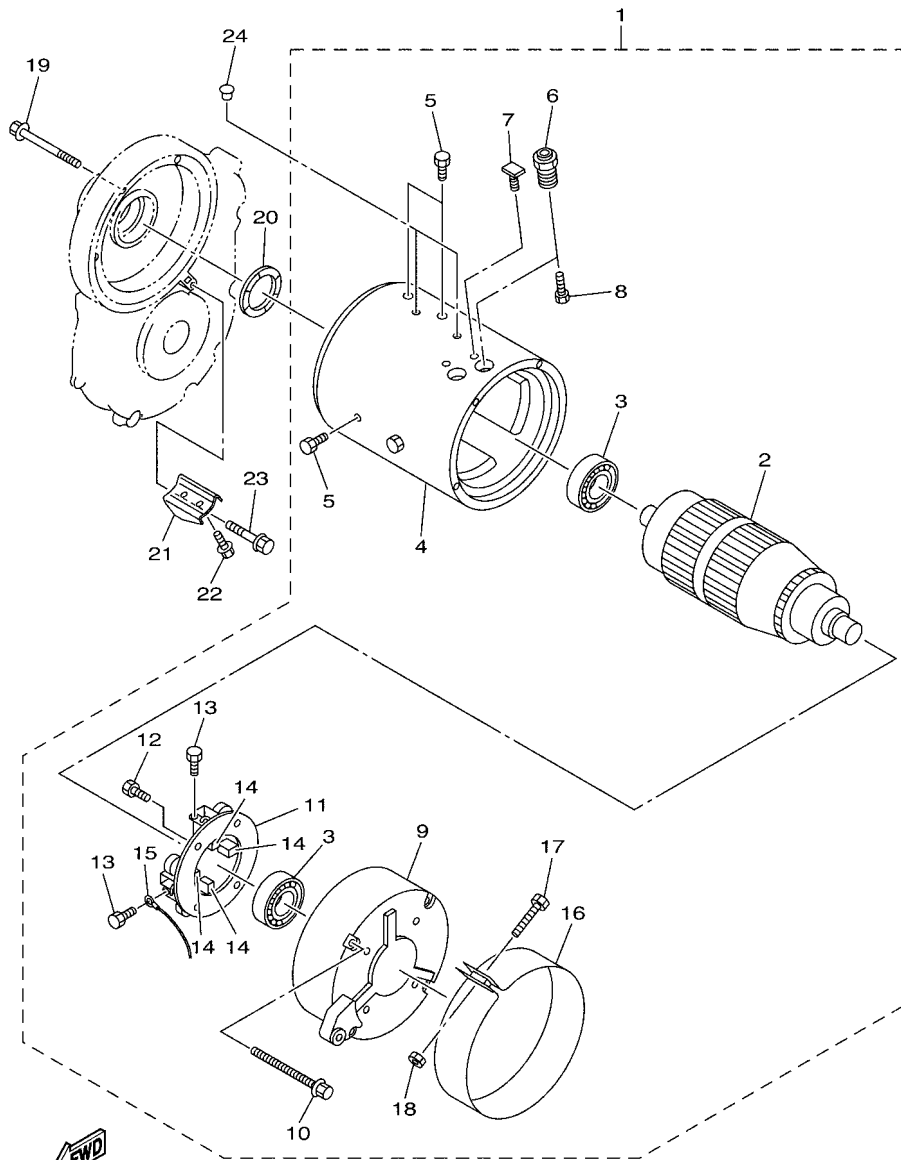
FIG. 18 SUN ROOF

REF. NO.	PART NO.	DESCRIPTION	JB14	REMARKS
28	JB2-7830C-00	ROOF SUPPORT ASSY 3	1	
29	90179-08689	.NUT	2	
30	90179-06059	.NUT	3	
31	JB2-7817F-00	.COVER, REAR PILLER (L.H)	1	
32	JB2-7830D-00	ROOF SUPPORT ASSY 4	1	
33	90179-08689	.NUT	2	
34	90179-06059	.NUT	3	
35	JB2-7817G-00	.COVER, REAR PILLER (R.H)	1	
36	90201-08730	WASHER, PLATE	4	
37	90105-08058	BOLT, FLANGE	4	
38	90269-06003	RIVET	2	
39	JB2-7831N-10	REINFORCEMENT, ROOF SUPPORT 3	2	
40	90338-24204	PLUG	2	
41	JX4-78334-01	HOSE	2	

FIG. 19 SEAT



REF. NO.	PART NO.	DESCRIPTION	JB14	REMARKS
1	JB6-78410-61	SEAT ASSY	1	
2	JB6-78405-60	.COVER, SEAT	1	
3	JF7-78433-00	.DAMPER, SEAT SUPPORT	6	
4	97702-50016	.SCREW, TAPPING	6	
5	JB9-78420-10	SEAT ASSY 2	1	
6	JB6-78404-50	.COVER, SEAT	1	
7	JF7-78433-00	.DAMPER, SEAT SUPPORT	6	
8	97702-50016	.SCREW, TAPPING	6	
9	JR7-78426-00	HINGE, SEAT 1	4	
10	97022-06025	BOLT, HEXAGON	8	
11	JY6-78423-10	SUPPORT, SEAT BACK	1	
12	90105-08096	BOLT, FLANGE	4	
13	90201-08730	WASHER, PLATE	4	
14	92902-08200	WASHER	2	
15	90105-08198	BOLT, FLANGE	2	
16	JB2-78361-50	ARM REST 1	2	
17	90105-08096	BOLT, FLANGE	6	
18	90201-08730	WASHER, PLATE	6	
19	JX4-78407-20	REAR SEAT SUB-ASSY, BACK	1	
20	JX4-78418-20	.COVER, SEAT	1	
21	JX4-78402-20	SEAT SUB ASSY, BACK	2	
22	95D02-06016	BOLT, FLANGE DEEP RECESS	4	
23	JB6-78413-00	COVER, SEAT BACK	2	
24	98980-06012	SCREW, BIND	4	
25	JY2-78484-00	SUPPORT, SEAT 1	2	
26	95880-08025	BOLT, FLANGE	4	
27	JY2-7810M-00	REAR STORAGE BOX COMP.	1	



JX31010-D231

FIG. 20 ELECTRIC MOTOR

REF. NO.	PART NO.	DESCRIPTION	JBT14	REMARKS
1	JY8-81890-02	MOTOR ASSY	1	
2	JT2-81150-00	.ARMATURE ASSY	1	
3	JT2-81157-00	.BEARING 1	2	
4	JX3-81160-00	.FIELD COIL ASSY	1	
5	JT2-81152-00	.BOLT	8	
6	JT2-83325-00	.BOLT, STUD	4	
7	JT2-81135-00	.SCREW, STATOR	4	
8	JT2-81252-00	.BOLT	4	
9	JX3-81822-00	.BRACKET, STARTING MOTOR	1	
10	JT2-81352-00	.BOLT	4	
11	JT2-8184J-00	.HOLDER, BRUSH	1	
12	JT2-81452-00	.BOLT	4	
13	JT2-81652-00	.BOLT	4	
14	JT2-81811-00	.BRUSH 1	4	
15	JT2-81218-00	.TERMINAL	2	
16	JY8-81129-00	.COVER, BRUSH	1	
17	JT2-81552-00	.BOLT	1	
18	JT2-81353-00	.NUT	1	
19	95812-06050	BOLT, FLANGE	3	
20	90206-38001	WASHER, WAVE	1	
21	JX3-81823-00	STAY, STARTING MOTOR	1	
22	95822-08014	BOLT, FLANGE	2	
23	95812-08035	BOLT, FLANGE	1	
24	90338-08174	PLUG	2	

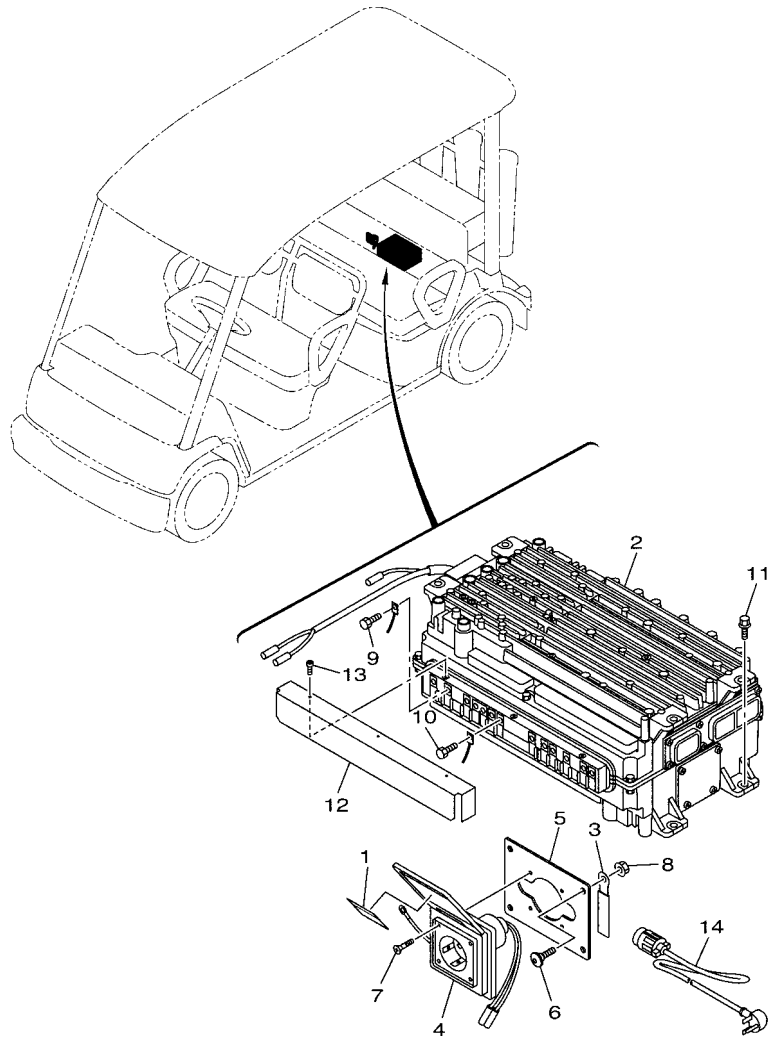


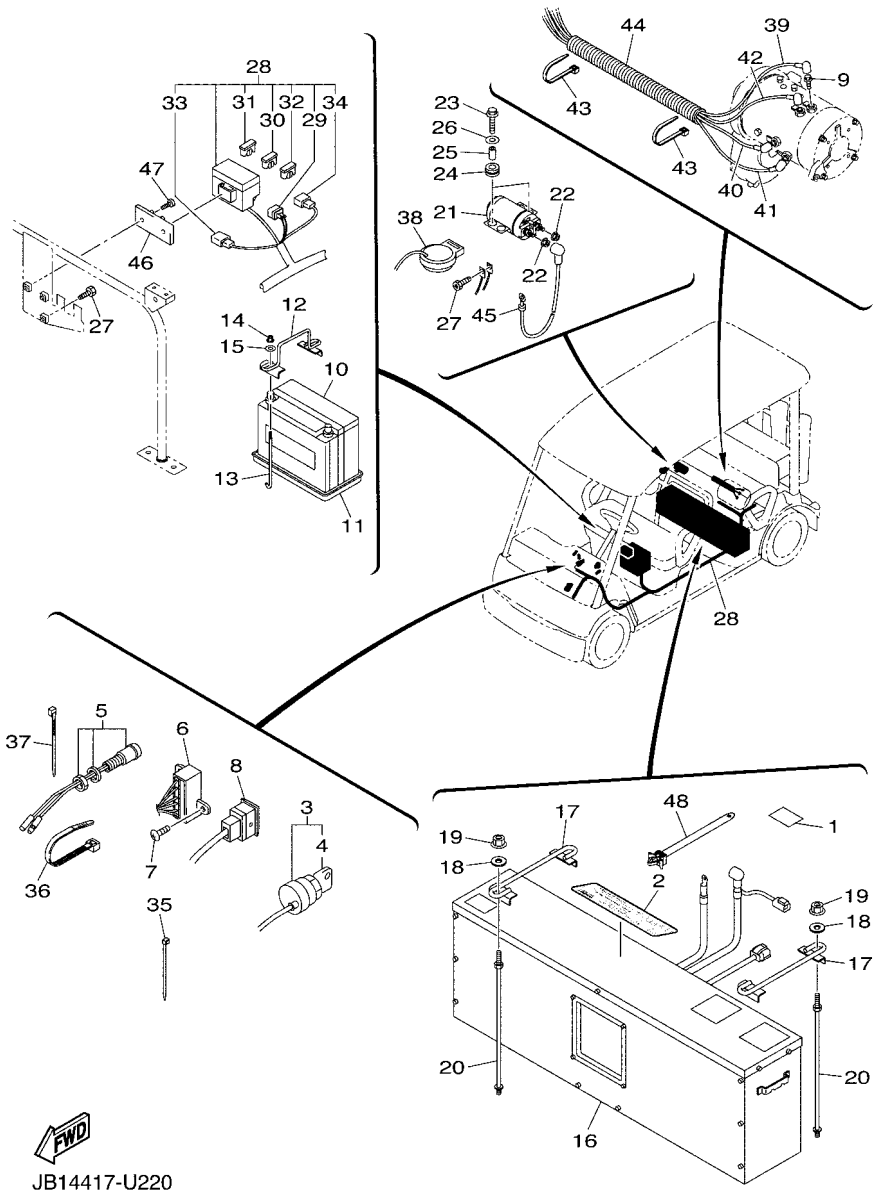
FIG. 21 CONTROL UNIT

REF. NO.	PART NO.	DESCRIPTION	JB14				REMARKS
1	JT2-88109-20	LABEL, CAUTION	1				
2	JB1-8A210-20	CONTROL UNIT	1				
3	90462-06007	CLAMP	1				
4	JY3-87214-00	RECEPTACLE COMP.	1				
5	JY3-86182-00	STAY, RECEPTACLE	1				
6	90150-06015	SCREW, ROUND HEAD	4				
7	98780-04025	SCREW, FLAT HEAD	4				
8	95602-06200	NUT, SELF-LOCKING	1				
9	95022-06012	BOLT, FLANGE	7				
10	97022-05012	BOLT, HEXAGON	6				
11	95822-06016	BOLT, FLANGE	4				
12	JY3-86514-00	COVER, CONTROL	1				
13	97707-30110	SCREW, TAPPING	2				
14	JB9-81962-00	CORD COMP.	1				

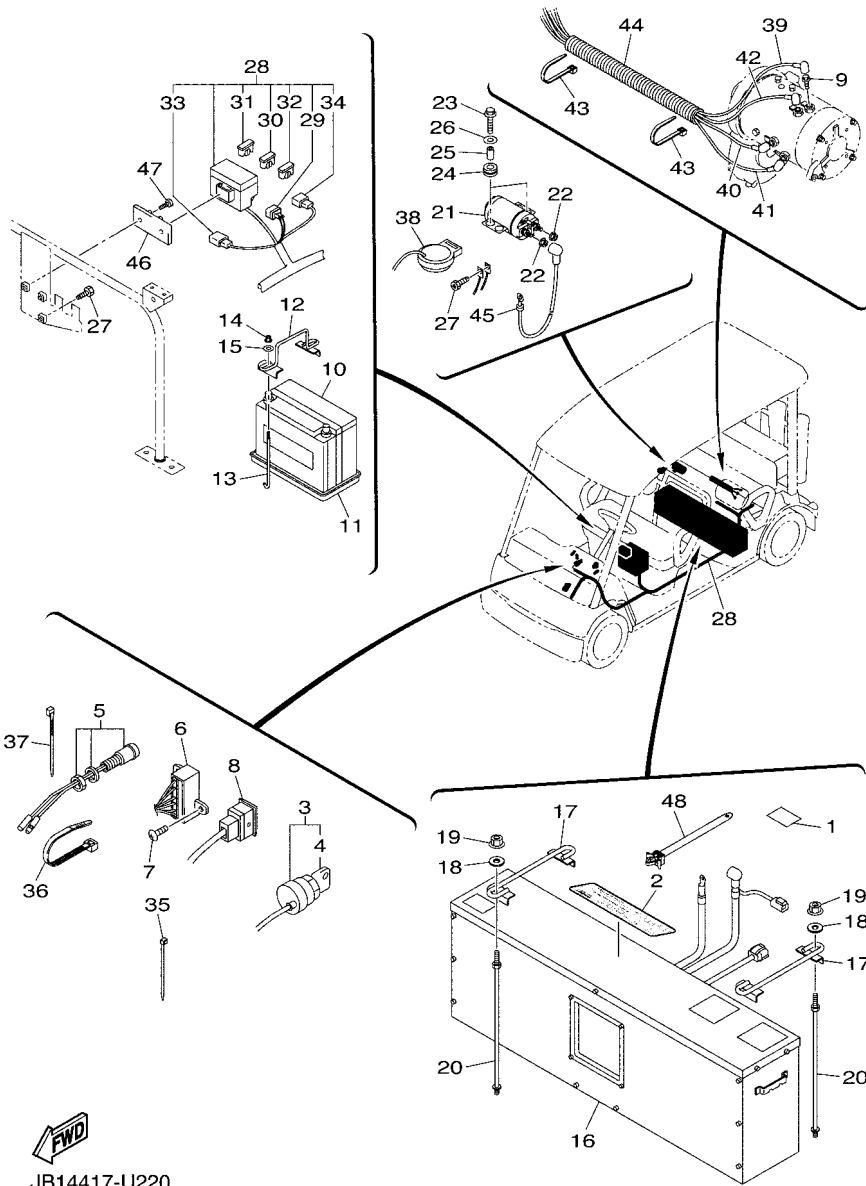


JB14417-U210

FIG. 22 ELECTRICAL 1



REF. NO.	PART NO.	DESCRIPTION	JB14	REMARKS
1	JX5-78297-11	PLATE, CAUTION 1	1	
2	JB8-77142-00	EMBLEM 2	1	
3	JX6-82510-00	MAIN SWITCH ASSY	1	
4	J44-82511-00	.KEY, MAIN SWITCH	1	
5	JB2-81977-10	BULB, PILOT LIGHT (RED)	1	
6	JX3-8350C-00	ENERGY GAUGE ASSY	1	
7	97702-50014	SCREW, TAPPING	2	
8	JB3-82617-K0	SWITCH	1	
9	95802-08014	BOLT, FLANGE	4	
10	*	BATTERY ASSY (50B24L)	1	LM
11	JT2-82123-00	SEAT, BATTERY	1	
12	JY3-8213F-00	PLATE, BATTERY FITTING 3	1	
13	JH2-82133-00	SCREW, FITTING	2	
14	90185-06153	NUT, SELF-LOCKING	2	
15	90201-06072	WASHER, PLATE	2	
16	*	LITHIUM BATTERY (LG 74.6V/74AH)	1	LM
17	JB8-8213F-L0	PLATE, BATTERY FITTING 3	2	
18	90201-08050	WASHER, PLATE	4	
19	95702-08500	NUT, FLANGE	4	
20	JB8-82133-L0	SCREW, FITTING	4	
21	JT2-81950-01	RELAY ASSY (YZ46C-1)	1	
22	95702-08500	NUT, FLANGE	2	
23	95D02-06020	BOLT, FLANGE DEEP RECESS	2	
24	90480-16278	GROMMET	2	
25	90387-0600V	COLLAR	2	
26	90201-06085	WASHER, PLATE	2	
27	90153-06034	SCREW, HEXAGON	2	



JB14417-U220

FIG. 22 ELECTRICAL 1

REF. NO.	PART NO.	DESCRIPTION	JB14	REMARKS
28	JB1-82590-11	WIRE HARNESS ASSY	1	
29	JN2-81980-01	.DIODE ASSY	1	
30	5JJ-82151-10	.FUSE (15A-BL)	2	
31	5JJ-82151-20	.FUSE (20A-BL)	3	
32	5JJ-82151-40	.FUSE (4A-BL)	3	
33	4FM-82151-00	.FUSE (30A)	1	
34	5JJ-82151-80	.FUSE (2A-BL)	1	
35	90465-13152	CLAMP	4	
36	90465-13275	CLAMP	5	
37	90465-12356	CLAMP	1	
38	JN3-83383-10	BUZZER	1	
39	JY8-82211-00	WIRE, LEAD	1	A
40	JY8-82212-00	WIRE, HIGH VOLTAGE LEAD 2	1	B
41	JY8-82213-00	WIRE, HIGH VOLTAGE LEAD 3	1	C
42	JY8-82214-00	WIRE, HIGH VOLTAGE LEAD 4	1	D
43	90465-13152	CLAMP	2	
44	90447-25004	TUBE	1	
45	JY3-82221-00	WIRE, HIGH VOLTAGE PLUS LEAD 1	1	
46	JT1-83614-00	BRACKET	1	
47	98902-06014	SCREW, BIND	2	
48	90464-50001	CLAMP	2	

NUMERICAL INDEX

PART NO.	REF. NO.	PART NO.	REF. NO.	PART NO.	REF. NO.	PART NO.	REF. NO.	PART NO.	REF. NO.	PART NO.	REF. NO.
JB8-22110-00	1 - 1	JR7-23894-00	4 - 23	JX2-2588C-10	9 - 12	JB8-46311-00	11 - 1	JX4-78101-20	15 - 10	JB5-78299-00	18 - 1
JX4-22123-00	1 - 10	8AC-2414B-01	15 - 11	JY2-2588D-00	9 - 13	JB8-46312-00	11 - 9	JX4-78101-30	15 - 10	JY2-7829A-20	13 - 29
JX4-22124-00	1 - 3	JR7-2467K-00	4 - 21	JB2-2588E-00	9 - 14	JX3-46319-00	11 - 15	JX4-78101-60	15 - 10	JY3-78305-00	16 - 21
JB2-22172-00	1 - 2	JY2-25100-00	3 - 24	JB2-2588H-00	9 - 5	JB3-46321-00	11 - 18	JY2-7810M-00	19 - 27	JB2-7830A-00	13 - 25
JY3-22210-00	1 - 7		12 - 14	JB2-2588J-00	9 - 6	JB3-46351-00	11 - 19	JY2-78113-00	15 - 15	JB2-7830B-00	13 - 27
5GJ-22426-00	2 - 13	JX4-2510S-20	3 - 27	JB2-2588K-00	9 - 18	JB3-46361-00	11 - 20	JY2-78117-00	16 - 2	JB2-7830C-00	18 - 28
JB9-22501-29	2 - 1		12 - 17	3JD-25917-00	6 - 7	JB3-46362-00	11 - 21	JY2-78118-00	16 - 3	JB2-7830D-00	18 - 32
JY6-22504-00	2 - 4	JY2-25110-00	3 - 28		6 - 21	JB2-46411-00	11 - 25	JB6-7811V-00	15 - 28	JB3-7830E-00	18 - 16
JB8-22506-L9	2 - 2	JY8-2512A-01	3 - 36		7 - 7	JB2-46414-00	11 - 27	JB3-78130-00	16 - 9	JB3-7830F-10	18 - 18
JX4-2254R-01	16 - 16		12 - 21		7 - 21	JB2-46415-00	11 - 28	JB3-78130-10	16 - 9	JB3-7830F-00	18 - 20
JB2-22571-00	2 - 6	JY8-25180-00	3 - 25	JX2-25919-00	6 - 8	JB2-46417-00	11 - 29	JB3-78130-20	16 - 9	JB3-7830F-10	18 - 22
JY2-22572-00	2 - 7		12 - 15		6 - 22	JB3-46421-00	11 - 26	JB3-78130-30	16 - 9	JB3-78314-00	18 - 2
JX4-22597-00	2 - 9	JB2-25310-00	12 - 18		7 - 8	JY2-46511-00	12 - 9	JB3-78130-60	16 - 9	JX4-7831L-00	13 - 31
JY4-23350-00	3 - 18	JX2-2580T-02	6 - 3		7 - 22	JY2-46512-00	12 - 10	JB3-78139-00	15 - 25	JB2-7831N-10	18 - 39
JX4-23400-01	4 - 9		7 - 3	3JD-25926-00	6 - 12	JX2-46540-00	12 - 1	JY2-7832F-00	13 - 26	JY2-78328-20	15 - 8
JX4-23417-00	4 - 27	JX2-2580U-02	6 - 17		6 - 26	JX2-46550-00	12 - 5	JB2-7813G-00	13 - 28	JY3-78329-00	16 - 11
JX4-23427-00	4 - 30		7 - 17		7 - 12	JN3-47559-00	11 - 45	JY3-7813H-00	16 - 18	JX4-7832F-00	18 - 3
	4 - 36	JB2-25816-00	9 - 19		7 - 26	JB8-77142-00	16 - 28	JB3-78140-00	16 - 10	JX4-7832H-00	16 - 12
JX4-23445-00	4 - 26	JB2-2581J-00	9 - 4	1UY-25926-51	6 - 10		22 - 2	JB3-78140-10	16 - 10	JX4-7833A-01	18 - 41
JX2-23510-00	3 - 21	1UY-25824-51	6 - 9		6 - 24	JX4-77157-00	15 - 14	JB3-78140-20	16 - 10	JX4-7833H-00	16 - 13
JX2-23520-00	3 - 22		6 - 23		7 - 10	JY3-77174-00	13 - 13	JB2-78140-30	16 - 10	JB2-7833K-10	18 - 13
2HR-23526-00	3 - 2		7 - 9		7 - 24	JX4-77188-00	15 - 13	JB3-78140-60	16 - 10	JN5-78357-10	4 - 37
	3 - 11		7 - 23	3TB-25933-00	6 - 15	JB2-77201-02	13 - 1	JB3-78141-00	16 - 4	JX4-78358-00	4 - 39
JB2-23540-00	3 - 1	1UY-25825-51	6 - 16		6 - 29	JB2-77202-02	13 - 15	JY2-78142-00	16 - 8	JX4-7835E-00	15 - 9
JX4-23549-01	3 - 3		6 - 30		7 - 15	JY2-77212-10	13 - 10	JX4-7814E-00	16 - 20	JB2-78361-50	19 - 16
JY8-23570-01	3 - 10		7 - 16		7 - 29	JB2-77213-00	13 - 2	JX4-7814H-00	15 - 7	JX7-7836H-00	18 - 14
JX4-23579-01	3 - 12		7 - 30	1UY-25937-51	6 - 6	JB2-77214-00	13 - 3	JY3-78150-10	16 - 17	JB2-78392-00	18 - 9
JY6-23810-00	4 - 1	JB2-25826-00	9 - 21		6 - 20	JX4-77217-00	13 - 6	JX4-78164-00	14 - 2	JB2-78393-00	18 - 11
JX4-23812-00	4 - 12	JX2-2582A-00	9 - 35		7 - 6	JY3-77223-00	13 - 8	JX4-78165-00	14 - 3	JX4-78402-20	19 - 21
JR9-23823-01	4 - 28	JX2-2582T-00	6 - 1		7 - 20	JB2-77233-01	13 - 14	JB2-7817F-00	18 - 31	JB6-78404-50	19 - 6
JR7-23833-00	4 - 24		7 - 1	1UY-25938-51	6 - 11	JB2-77261-00	13 - 4	JB2-7817G-00	18 - 35	JB6-78405-60	19 - 2
JX4-23837-00	4 - 20	JB2-2583T-00	9 - 16		6 - 25	JB2-77262-00	13 - 5	JB2-78180-00	14 - 8	JX4-78407-20	19 - 19
JN5-23838-00	4 - 3	JB2-25852-00	9 - 20		7 - 11	JY3-77263-01	13 - 12	JX2-78181-00	15 - 22	JB6-78410-61	19 - 1
JX4-23841-00	4 - 25	2GU-25866-00	9 - 15		7 - 25	JB2-77271-00	13 - 18	JB2-78187-00	17 - 1	JB6-78413-00	19 - 23
JR7-23844-00	4 - 18	JB2-25871-00	9 - 7	JX2-25961-00	6 - 13	JB2-77275-00	13 - 19	JX4-7818E-00	14 - 9	JX4-78418-20	19 - 20
JR7-23848-00	4 - 19	JB2-25872-00	9 - 1		6 - 27	JB2-77283-00	13 - 17	JX4-7818F-00	14 - 10	JB9-78420-10	19 - 5
JX4-2384N-00	4 - 11	JB2-25873-00	9 - 2		7 - 13	JB2-77510-00	14 - 1	JB2-78191-00	17 - 4	JY6-78423-10	19 - 11
J50-23857-00	4 - 2	JB2-25874-00	9 - 3		7 - 27	JX4-77520-00	14 - 6	JB2-78192-00	17 - 5	JR7-78426-00	19 - 9
JR7-23866-00	4 - 22	5KM-25875-00	9 - 37	JB2-26326-00	9 - 17	JF7-77563-00	14 - 12	JF7-78214-00	18 - 25	JX4-78427-00	16 - 14
JB6-2386N-01	4 - 8	JB2-25876-00	9 - 39	JB2-27200-00	5 - 1	JB2-77711-00	15 - 19	JB2-78231-00	16 - 24	JY2-78427-00	16 - 5
JX4-23876-00	4 - 29	JX2-2587A-00	9 - 43	JB2-27211-00	5 - 3	JB5-77741-00	15 - 20	JB2-78241-00	16 - 26	JX4-7842F-00	19 - 33
	4 - 35	JB2-25880-00	9 - 22	JB2-27218-00	9 - 23	JB9-77742-00	15 - 24	JB2-78243-00	15 - 2	JX4-7842G-00	19 - 34
JX4-2387A-01	4 - 10	JX2-25882-10	9 - 8	JB2-27222-00	9 - 24	JY6-77762-10	4 - 38	JB2-78244-00	15 - 3	JF7-78433-00	19 - 3
JX4-2387E-00	4 - 13	JX3-25883-10	9 - 9	JB2-27229-00	9 - 26	JT2-77766-22	16 - 30	JX4-78273-00	15 - 29		19 - 7
JR7-2387F-00	4 - 16	JX2-25885-11	9 - 34	JB2-27263-00	5 - 15	JY4-77768-10	13 - 16	J50-78274-10	18 - 26	JY3-78460-00	2 - 11
JR7-2387G-00	4 - 14	JX2-25887-00	9 - 42	JB2-27275-00	8 - 2	JB2-78100-30	15 - 1	JX4-78297-01	19 - 37	JY2-78478-00	19 - 30
JR7-2387J-00	4 - 17	JB2-2588A-00	9 - 10	JB2-27411-00	15 - 17	JX4-78101-00	15 - 10	JX5-78297-11	22 - 1	JY2-78484-00	19 - 25
JR7-2387K-00	4 - 15	JB2-2588B-00	9 - 11	JY2-27801-01	10 - 1	JX4-78101-10	15 - 10	JB2-78298-20	15 - 5	JY8-81129-00	20 - 16

NUMERICAL INDEX

PART NO.	REF. NO.	PART NO.	REF. NO.	PART NO.	REF. NO.	PART NO.	REF. NO.	PART NO.	REF. NO.	PART NO.	REF. NO.
JT2-81135-00	20 - 7	JT1-83614-00	22 - 46	90157-06068	18 - 27	90269-07010	16 - 23	91402-25020	4 - 34	95812-06010	8 - 3
JT2-81150-00	20 - 2	JY3-83688-00	11 - 44	90171-12001	3 - 14	90269-07064	15 - 4	91490-25020	9 - 28	95812-06050	20 - 19
JT2-81152-00	20 - 5	JN9-85885-00	10 - 2		4 - 33		16 - 25	91609-40040	11 - 32	95812-08012	8 - 4
JT2-81157-00	20 - 3	JB2-85930-09	8 - 1	90179-06020	13 - 22		16 - 27	91690-20020	13 - 9	95812-08020	2 - 10
JX3-81160-00	20 - 4	JY3-86182-00	21 - 5	90179-06021	18 - 17	90269-10005	15 - 6	91690-30012	13 - 11		4 - 7
JT2-81218-00	20 - 15	JB2-86281-00	11 - 33		18 - 19		15 - 16	92902-08100	9 - 25	95812-08025	9 - 29
JT2-81252-00	20 - 8	JX3-86290-00	11 - 37		18 - 21		15 - 18	92902-08200	19 - 14	95812-08035	20 - 23
JT2-81352-00	20 - 10	JY3-86514-00	21 - 12		18 - 23		15 - 23	93102-20143	11 - 12	95812-08055	13 - 30
JT2-81353-00	20 - 18	JY3-87214-00	21 - 4	90179-06059	18 - 30		16 - 19	93102-25017	11 - 5	95812-08075	11 - 46
JT2-81452-00	20 - 12	JT2-88109-20	21 - 1		18 - 34		16 - 22	93102-25360	11 - 6	95812-10016	1 - 13
JT2-81552-00	20 - 17	JB1-8A210-20	21 - 2	90179-06636	18 - 10		17 - 7		11 - 13	95812-10030	12 - 11
JT2-81652-00	20 - 13	JX2-W0045-11	6 - 14		18 - 12	90338-08174	20 - 24	93102-35109	12 - 3	95812-10045	1 - 8
5GM-81677-00	9 - 32		7 - 14	90179-08491	11 - 47	90338-15004	16 - 29		12 - 7	95812-10090	5 - 9
JT2-81811-00	20 - 14	JX2-W0045-21	6 - 28	90179-08689	18 - 29	90338-24204	18 - 40	93210-132A8	5 - 11	95812-12065	1 - 4
JX3-81822-00	20 - 9		7 - 28		18 - 33	90340-14036	11 - 16	93305-00602	3 - 29	95822-06016	21 - 11
JX3-81823-00	20 - 21	3GD-W0047-00	6 - 5	90179-10031	3 - 32	90384-14080	5 - 2	93306-00810	11 - 4	95822-06030	5 - 4
JT2-8184J-00	20 - 11		6 - 19		12 - 20	90387-046N7	4 - 43		11 - 11	95822-08014	5 - 16
JY8-81890-02	20 - 1		7 - 5	90179-20016	12 - 11	90387-0600V	22 - 25	93306-20401	11 - 3		20 - 22
JT2-81950-01	22 - 21		7 - 19	90185-06153	22 - 14	90387-06553	13 - 20		11 - 10	95822-08050	11 - 8
JB9-81962-00	21 - 14	3TB-W0057-00	6 - 4	90185-10019	5 - 10	90387-10109	5 - 12	93306-20501	11 - 2	95822-10025	2 - 5
JB2-81977-10	22 - 5		6 - 18	90185-12009	1 - 5	90387-15019	18 - 7	93306-30578	12 - 2	95822-10045	3 - 19
JN2-81980-01	22 - 29		7 - 4	90201-044H9	4 - 41	90387-252M8	11 - 24		12 - 6	95827-08065	14 - 5
JT2-82123-00	22 - 11		7 - 18	90201-06020	13 - 21	90387-30006	3 - 23	93900-00022	3 - 26	95880-06016	18 - 15
JH2-82133-00	22 - 13	90101-10038	12 - 12		19 - 29	90401-10015	9 - 30		12 - 16	95880-06020	18 - 24
JB8-82133-L0	22 - 20	90105-05331	10 - 3	90201-06049	19 - 32	90430-14043	11 - 17	95022-06012	9 - 36		19 - 28
JY3-8213F-00	22 - 12	90105-06452	11 - 42		19 - 36	90447-25004	22 - 44		21 - 9	95880-06025	13 - 24
JB8-8213F-L0	22 - 17	90105-08058	18 - 37	90201-06072	22 - 15	90462-05059	15 - 27	95022-08025	14 - 7	95880-06030	18 - 4
4FM-82151-00	22 - 33	90105-08096	19 - 12	90201-06085	22 - 26	90462-06007	21 - 3	95602-06200	2 - 14	95880-08025	19 - 26
5JJ-82151-10	22 - 30		19 - 17	90201-06115	18 - 5	90462-08007	11 - 35		21 - 8	95D02-06010	11 - 41
5JJ-82151-20	22 - 31	90105-08198	19 - 15	90201-06116	18 - 6	90464-04002	9 - 33	95602-10200	1 - 9	95D02-06012	2 - 12
5JJ-82151-40	22 - 32	90105-10116	3 - 8	90201-08050	22 - 18	90464-16021	10 - 7		3 - 17		9 - 38
5JJ-82151-80	22 - 34	90105-10221	3 - 16	90201-08088	9 - 27	90464-50001	22 - 48		3 - 20		9 - 40
JY8-82211-00	22 - 39	90105-10283	4 - 31	90201-08730	18 - 36	90465-12356	22 - 37	95602-12100	4 - 4		10 - 6
JY8-82212-00	22 - 40	90105-102A9	6 - 31		19 - 13	90465-13152	17 - 2	95602-12200	1 - 12	95D02-06016	19 - 22
JY8-82213-00	22 - 41		7 - 31		19 - 18		22 - 35		11 - 39	95D02-06020	22 - 23
JY8-82214-00	22 - 42	90105-10348	11 - 30	90201-10118	9 - 31		22 - 43	95604-16200	3 - 34	95D02-06025	9 - 41
JY3-82221-00	22 - 45	90105-10728	3 - 5	90201-105A2	4 - 32	90465-13275	17 - 3	95607-10200	3 - 9	95D02-06030	16 - 6
JX2-8234W-01	11 - 40	90105-12031	1 - 11	90201-12190	4 - 5		22 - 36	95702-06500	5 - 5	95D32-06012	14 - 4
JX6-82510-00	22 - 3	90109-06212	16 - 1	90201-12195	11 - 38	90480-13398	15 - 12	95702-08500	4 - 6	95D32-08016	2 - 3
J44-82511-00	22 - 4	90109-06302	9 - 44	90201-121J0	1 - 6	90480-13567	15 - 21		5 - 7	95D32-08040	11 - 7
JY3-82519-00	11 - 36	90109-08221	6 - 2	90201-163M0	3 - 33	90480-16278	22 - 24		5 - 14	97022-05012	21 - 10
JB2-82530-00	5 - 13		7 - 2	90201-20032	11 - 22	90480-25004	18 - 8		5 - 17	97022-06025	19 - 10
JB1-82590-11	22 - 28	90110-06091	11 - 34	90201-20033	11 - 23	90502-10013	4 - 42		22 - 19	97080-06016	19 - 35
JB3-82617-K0	22 - 8	90111-08027	14 - 11	90206-38001	20 - 20	90508-40015	5 - 8		22 - 22	97080-06020	19 - 31
JF7-82817-22	10 - 4	90114-10019	3 - 31	90267-48101	2 - 8	91317-08045	11 - 43	95702-10500	3 - 6	97507-05512	10 - 5
JT2-83325-00	20 - 6		12 - 19		17 - 6	91402-25020	3 - 7	95802-06040	16 - 15	97702-50014	15 - 26
JN3-83383-10	22 - 38	90150-06015	21 - 6	90269-06003	18 - 38		3 - 15	95802-08014	22 - 9		22 - 7
JX3-8350C-00	22 - 6	90153-06034	22 - 27	90269-07010	16 - 7		3 - 35	95802-08035	5 - 6	97702-50016	19 - 4

NUMERICAL INDEX

PART NO.	REF. NO.	PART NO.	REF. NO.	PART NO.	REF. NO.	PART NO.	REF. NO.	PART NO.	REF. NO.	PART NO.	REF. NO.
97702-50016	19 - 8										
97707-30110	21 - 13										
97707-40525	4 - 40										
98780-04025	21 - 7										
98780-06014	13 - 7										
98780-06035	13 - 23										
98902-06014	22 - 47										
98980-06012	19 - 24										
99009-30400	3 - 4										
99009-32400	3 - 13										
99009-55500	3 - 30										
99009-62500	12 - 4										
	12 - 8										
99530-12016	11 - 14										
99530-14016	11 - 31										