



# PARTS CATALOGUE

## G31EPS-Li ( JB13 ) HONG KONG

---



1TJB1-417E1

( )

G31EPS-Li  
PARTS CATALOGUE  
©2017 by Yamaha Motor Co., Ltd.  
1st edition, December 2017  
All rights reserved.  
Any reprinting or unauthorized use  
without the written permission of  
Yamaha Motor Co., Ltd.  
is expressly prohibited.  
Printed in Japan.

# FOREWORD

This Parts Catalogue is related to the parts for the model(s) on the cover page. When you are ordering replacement parts, please refer to this Parts Catalogue and quote both part numbers and part names correctly.

1. Modifications or additions which have been made after the issue of the Parts Catalogue will be announced in the Parts News.  
It is advisable that you make the necessary corrections to the Parts Catalogue according to the Parts News.

2. Abbreviations

The following abbreviations are used in this Parts Catalogue.

“UR” Use specified parts number.

“UN” Use as many as needed.

“AP” Alternate Parts

“LM” Locally Made (Parts need to be ordered locally)

“F#” Frame No. (Applicable machine No.)

“O/S” Over Size

3. The number of components for assembly

- Parts, which are to be supplied in an assembly, are listed with a dot (.) in front of the part name as shown below.
- The numeral appearing to the right of each component part indicates the quantity of parts for each assembly unit.

PART NO.	DESCRIPTION	Q'TY	REMARKS
2F5-83310-60	FRONT FLASHER LIGHT ASSY	2	
115-83311-60	.BULB (6V-18W)	1	

4. Applicable colours of graphics are represented in the “REMARKS” as shown below.

PART NO.	DESCRIPTION	Q'TY	REMARKS
2N4-24110-00-X5	FUEL TANK COMP.	2	MXR
3J1-24240-10	.GRAPHIC, FUEL TANK	1	FOR MXR

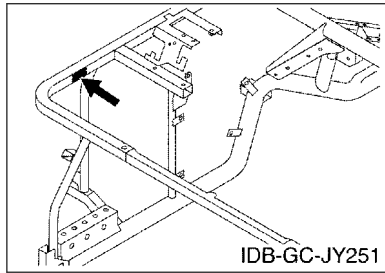
5. Note that the illustrations for reference in finding parts numbers are not to be used for assembling. When assembling, please use the applicable service manual.

6. The asterisk (\*) before a reference number indicates modified items after the first edition.

# FOREWORD

7. Applicable Serial No.

Frame Serial No.



8. Applicable Colour Code (The (\*) mark shows Model colour.)

Abbreviation	Colour Name	Colour Code
DNGM3(*)	DARK GRAYISH GREEN METALLIC 3	0712
DPBMC(*)	DEEP PURPLISH BLUE METALLIC C	0564
DRMD(*)	DULL RED METALLIC D	0779
RW(*)	RADICAL WHITE	00UJ
VDGS1(*)	VERY DARK GREEN SOLID 1	0614

9. Quantity Column Information

Column No.	Name Of Q'ty Column	Destination
1	JB13	HONG KONG

10. Applicable Starting Serial No.

Frame Serial No.

Serial No.	Name Of Q'ty Column	Model Code
JB1-0330101	JB13	JB13

# CONTENTS

## BODY

REAR ARM & SUSPENSION.....	1
FRAME.....	2
FRONT SUSPENSION & WHEEL.....	3
STEERING.....	5
BRAKE.....	7
BRAKE 2.....	8
BRAKE 3.....	10
BRAKE 4.....	12
FRONT MASTER CYLINDER.....	13
ACCELERATOR.....	15

## DRIVE

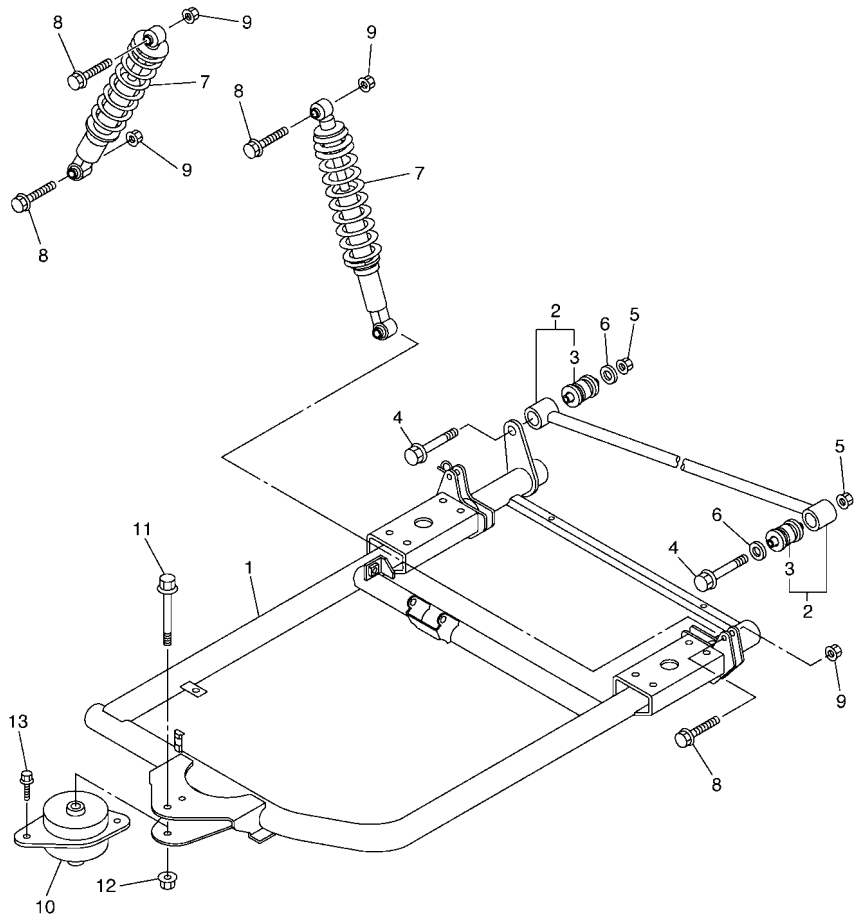
TRANSAXLE.....	16
REAR AXLE & WHEEL.....	18
WINDSHIELD(SPLIT TYPE).....	19
BUMPER.....	21
BODY.....	22
BODY 2.....	24
BODY FITTING.....	26
SUN ROOF.....	27
SEAT.....	29

## ELECTRICAL

ELECTRIC MOTOR.....	31
CONTROL UNIT.....	32
ELECTRICAL 1.....	33

## INDEX

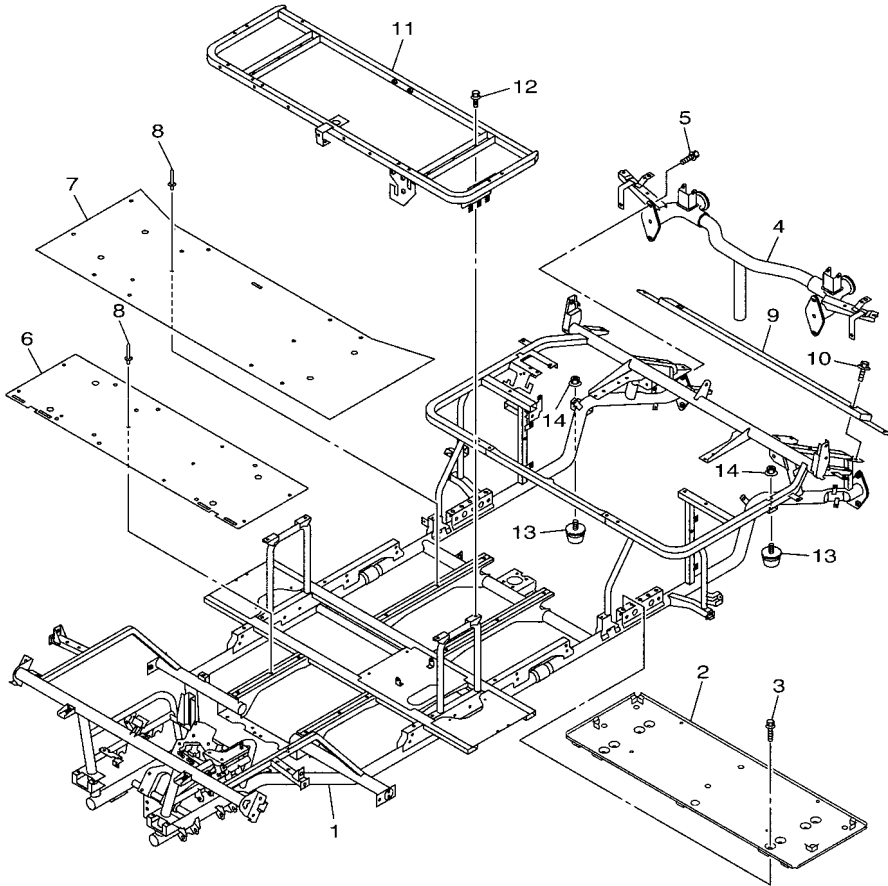
NUMERICAL INDEX.....	35
----------------------	----



JX31010-D010

**FIG. 1 REAR ARM & SUSPENSION**

REF. NO.	PART NO.	DESCRIPTION	JB13	REMARKS
1	JB8-22110-00	REAR ARM COMP.	1	
2	JB2-22172-00	ARM, REAR 2	1	
3	JX4-22124-00	.BUSH 2	2	
4	95812-12065	BOLT, FLANGE	2	
5	90185-12009	NUT, SELF-LOCKING	2	
6	90201-121J0	WASHER, PLATE	2	
7	JY3-22210-00	SHOCK ABSORBER ASSY, REAR	2	
8	95812-10045	BOLT, FLANGE	4	
9	95602-10200	NUT, S/L FLANGE	4	
10	JX4-22123-00	BUSH 1	1	
11	90105-12031	BOLT, FLANGE	1	
12	95602-12200	NUT, SELF-LOCKING	1	
13	95812-10016	BOLT, FLANGE	2	



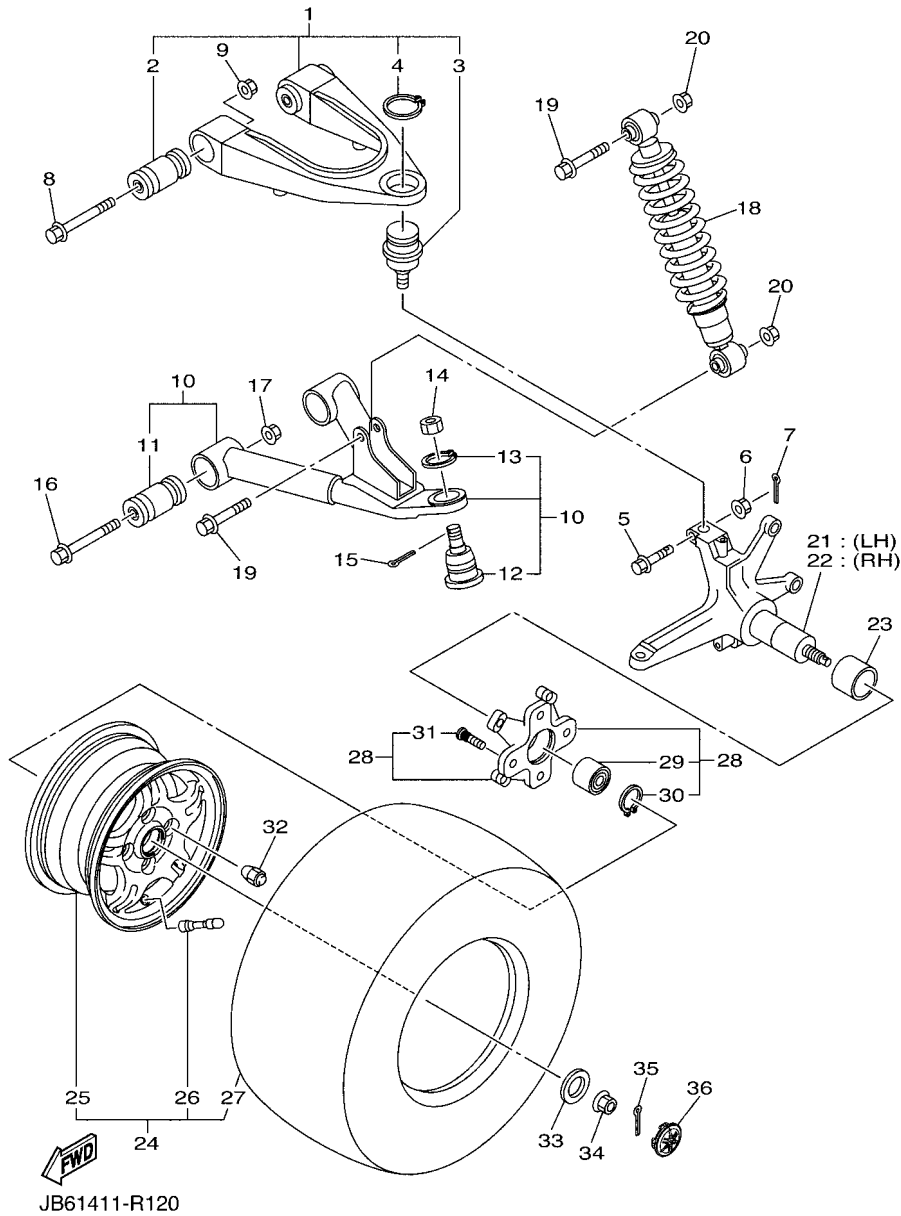
**FIG. 2 FRAME**

REF. NO.	PART NO.	DESCRIPTION	JB13	REMARKS
1	JB9-22501-09	FRAME COMP.	1	
2	JB8-22506-L9	RR,CROSS MEMBER SUB ASSY	1	
3	95822-08016	BOLT, FLANGE	4	
4	JY6-22504-00	RR. SUB-FRAME COMP.	1	
5	95822-10025	BOLT, FLANGE	4	
6	JB2-22571-00	PANEL 1	1	
7	JY2-22572-00	PANEL 2	1	
8	90267-48101	RIVET, BLIND	20	
9	JX4-22597-00	REINFORCEMENT 2	1	
10	95812-08020	BOLT, FLANGE	2	
11	JY3-78460-00	SEAT FRAME COMP.	1	
12	95802-06012	BOLT, FLANGE	4	
13	5GJ-22426-00	BUMP, STOP	2	
14	95602-06200	NUT, SELF-LOCKING	2	



JB12417-S020

**FIG. 3 FRONT SUSPENSION & WHEEL**

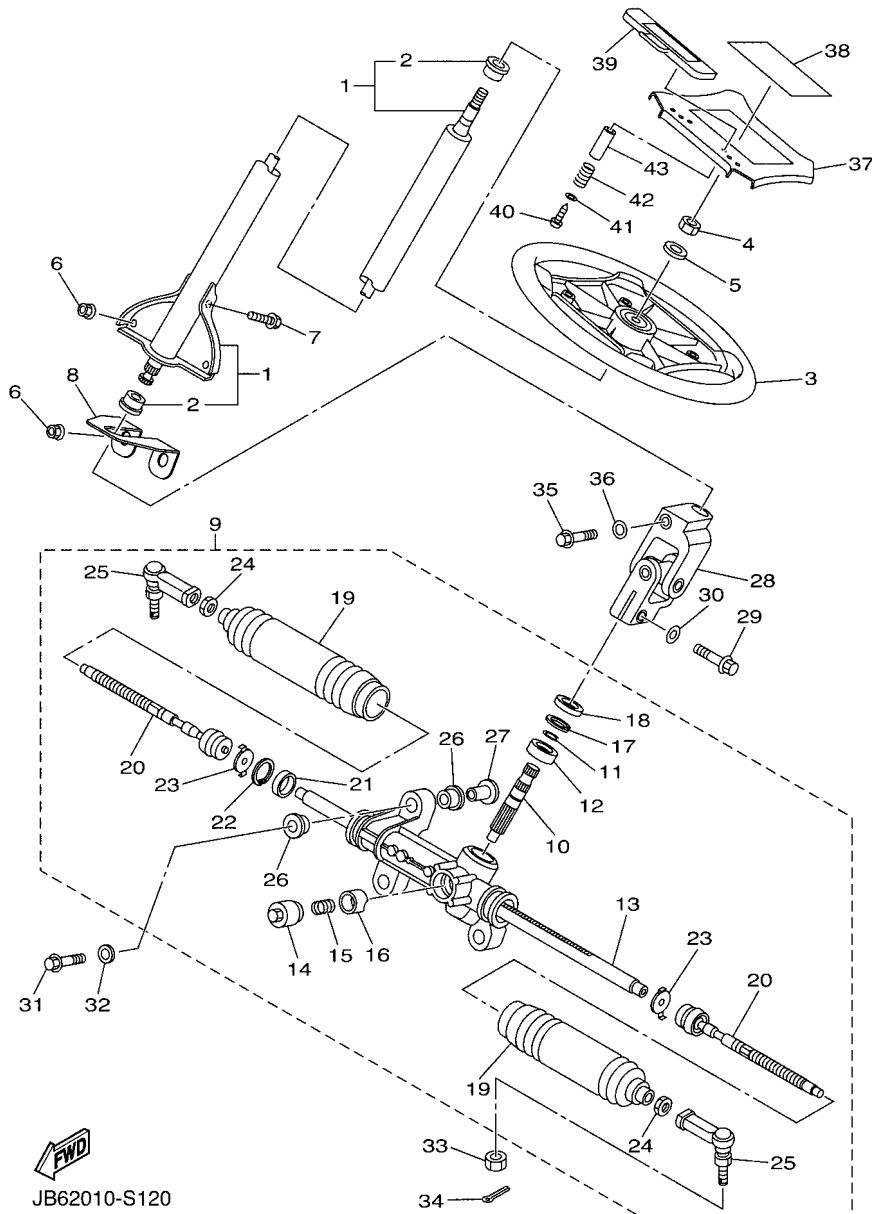


REF. NO.	PART NO.	DESCRIPTION	JB13				REMARKS
1	JB2-23540-00	FRONT UPPER ARM COMP. (LEFT)	2				
2	2HR-23526-00	.BUSH	2				
3	JX4-23549-01	.BALL JOINT 1	1				
4	99009-30400	.CIRCLIP	1				
5	90105-10728	BOLT, FLANGE	2				
6	95702-10500	NUT, FLANGE	2				
7	91402-25020	PIN, COTTER	2				
8	90105-10116	BOLT, FLANGE	4				
9	95607-10200	NUT, U FLANGE	4				
10	JY8-23570-01	FRONT LOWER ARM COMP.	2				
11	2HR-23526-00	.BUSH	2				
12	JX4-23579-01	.BALL JOINT 2	1				
13	99009-32400	.CIRCLIP	1				
14	90171-12001	NUT, CASTLE	2				
15	91402-25020	PIN, COTTER	2				
16	90105-10221	BOLT, FLANGE	4				
17	95602-10200	NUT, S/L FLANGE	4				
18	JY4-23350-00	SHOCK ABSORBER ASSY	2				
19	95822-10045	BOLT, FLANGE	4				
20	95602-10200	NUT, S/L FLANGE	4				
21	JX2-23510-00	KNUCKLE, STEERING COMP. (LEFT)	1				
22	JX2-23520-00	STEERING KNUCKLE COMP. (RIGHT)	1				
23	90387-30006	COLLAR	2				
24	JY2-25100-00	AL WHEEL ASSY (190/50-12-4PR)	2				
25	JY8-25180-00	.WHEEL COMP. (ALUMINIUM)	1				
26	93900-00022	.VALVE, RIM (TR413)	1				TAIHEIYO
27	JX4-2510S-20	.TIRE (190/50-12-4PR KENDA)	1				



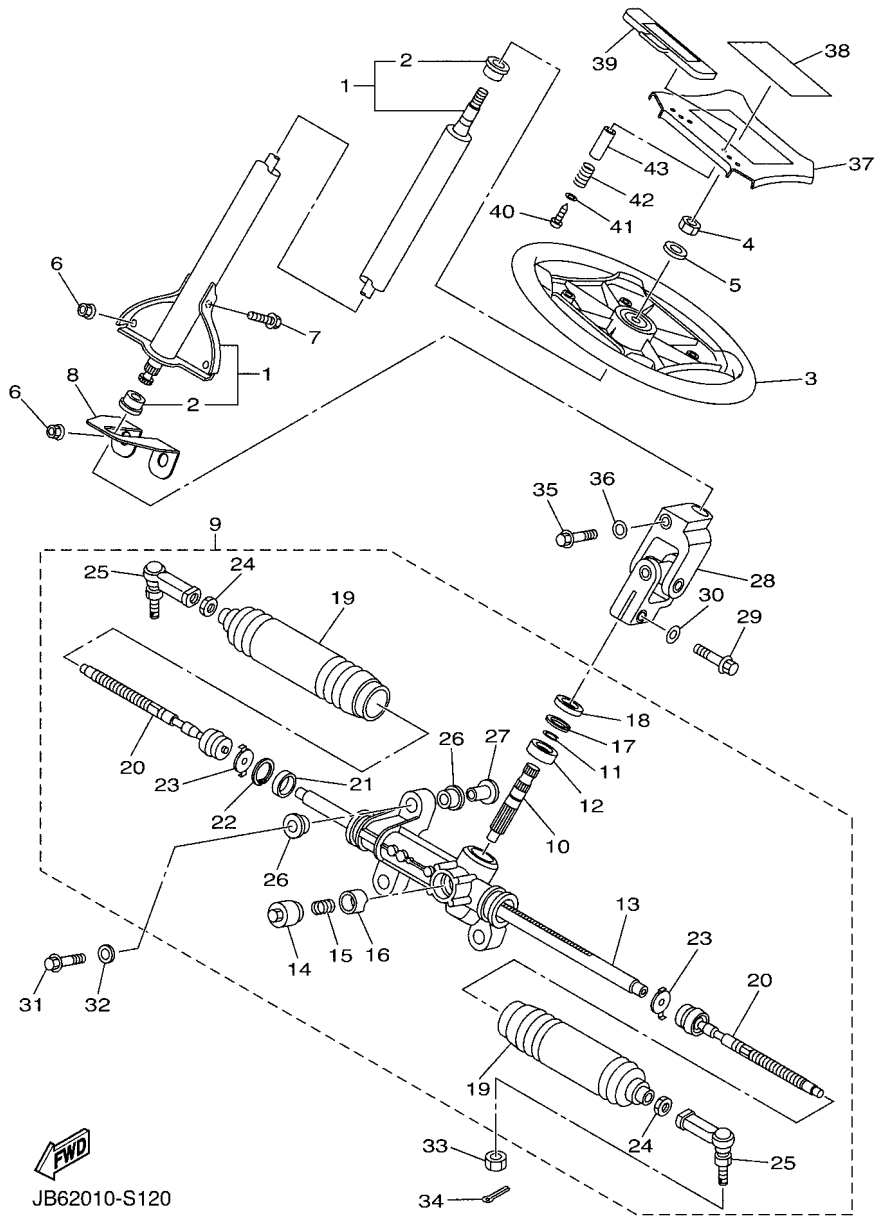


FIG. 4 STEERING



JB62010-S120

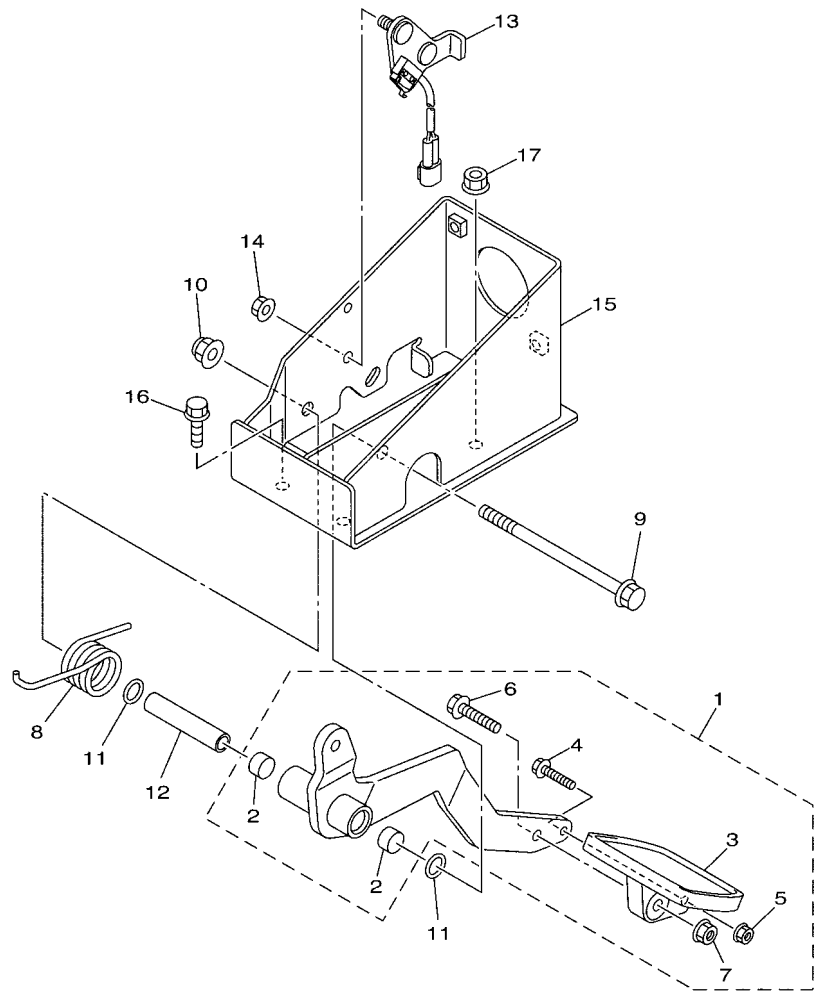
REF. NO.	PART NO.	DESCRIPTION	JB13				REMARKS
1	JY6-23810-00	STEERING COLUMN ASSY	1				
2	J50-23857-00	.HOLDER	2				
3	JN5-23838-00	WHEEL, STEERING	1				
4	95602-12100	NUT, U	1				
5	90201-12190	WASHER, PLATE	1				
6	95702-08500	NUT, FLANGE	4				
7	95812-08020	BOLT, FLANGE	1				
8	JB6-2386N-01	STOPPER	1				
9	JX4-23400-01	STEERING ASSY	1				
10	JX4-2387A-01	.GEAR,PINION	1				
11	JX4-2384N-00	.CLIP, RING	1				
12	JX4-23812-00	.BEARING, STEERING	1				
13	JX4-2387E-00	.GEAR, RACK	1				
14	JR7-2387G-00	.COVER, ADJUST	1				
15	JR7-2387K-00	.SPRING, PRESSURE	1				
16	JR7-2387F-00	.PAD, PRESSURE	1				
17	JR7-2387J-00	.RING, STOPPER	1				
18	JR7-23844-00	.SEAL	1				
19	JR7-23848-00	.BOOTS B	2				
20	JX4-23837-00	.ROD, TIE 2	2				
21	JR7-2467K-00	.BUSH CAP	1				
22	JR7-23866-00	.RING, SNAP	1				
23	JR7-23894-00	.WASHER, LOCK 1	2				
24	JR7-23833-00	.NUT 1	2				
25	JX4-23841-00	.JOINT, UNIVERSAL 1	2				
26	JX4-23445-00	.BUSH	6				
27	JX4-23417-00	.COLLAR	3				



**FIG. 4 STEERING**

REF. NO.	PART NO.	DESCRIPTION	JB13				REMARKS
28	JR9-23823-01	JOINT 2	1				
29	JX4-23876-00	BOLT	1				
30	JX4-23427-00	WASHER	1				
31	90105-10283	BOLT, FLANGE	3				
32	90201-105A2	WASHER, PLATE	3				
33	90171-12001	NUT, CASTLE	2				
34	91402-25020	PIN, COTTER	2				
35	JX4-23876-00	BOLT	1				
36	JX4-23427-00	WASHER	1				
37	JN5-78357-10	HOLDER 1	1				
38	JY6-77762-10	LABEL, WARNING 2	1				
39	JX4-78358-00	HOLDER 2	1				
40	97707-40525	SCREW, TAPPING	2				
41	90201-044H9	WASHER, PLATE	2				
42	90502-10013	SPRING, CONICAL	2				
43	90387-046N7	COLLAR	2				

**FIG. 5 BRAKE**



REF. NO.	PART NO.	DESCRIPTION	JB13				REMARKS
1	JB2-27200-00	PEDAL, BRAKE	1				
2	90384-14080	.BUSH, BIMETAL FORMED	2				
3	JB2-27211-00	.PEDAL, BRAKE	1				
4	95822-06030	.BOLT, FLANGE	1				
5	95702-06500	.NUT, FLANGE	1				
6	95802-08035	.BOLT, FLANGE	1				
7	95702-08500	.NUT, FLANGE	1				
8	90508-40015	SPRING, TORSION	1				
9	95812-10090	BOLT, FLANGE	1				
10	90185-10019	NUT, SELF-LOCKING	1				
11	93210-132A8	O-RING	2				
12	90387-10109	COLLAR	1				
13	JB2-82530-00	STOP SWITCH ASSY	1				
14	95702-08500	NUT, FLANGE	2				
15	JB2-27263-00	BRACKET 1	1				
16	95822-08014	BOLT, FLANGE	2				
17	95702-08500	NUT, FLANGE	1				



JB21010-P170

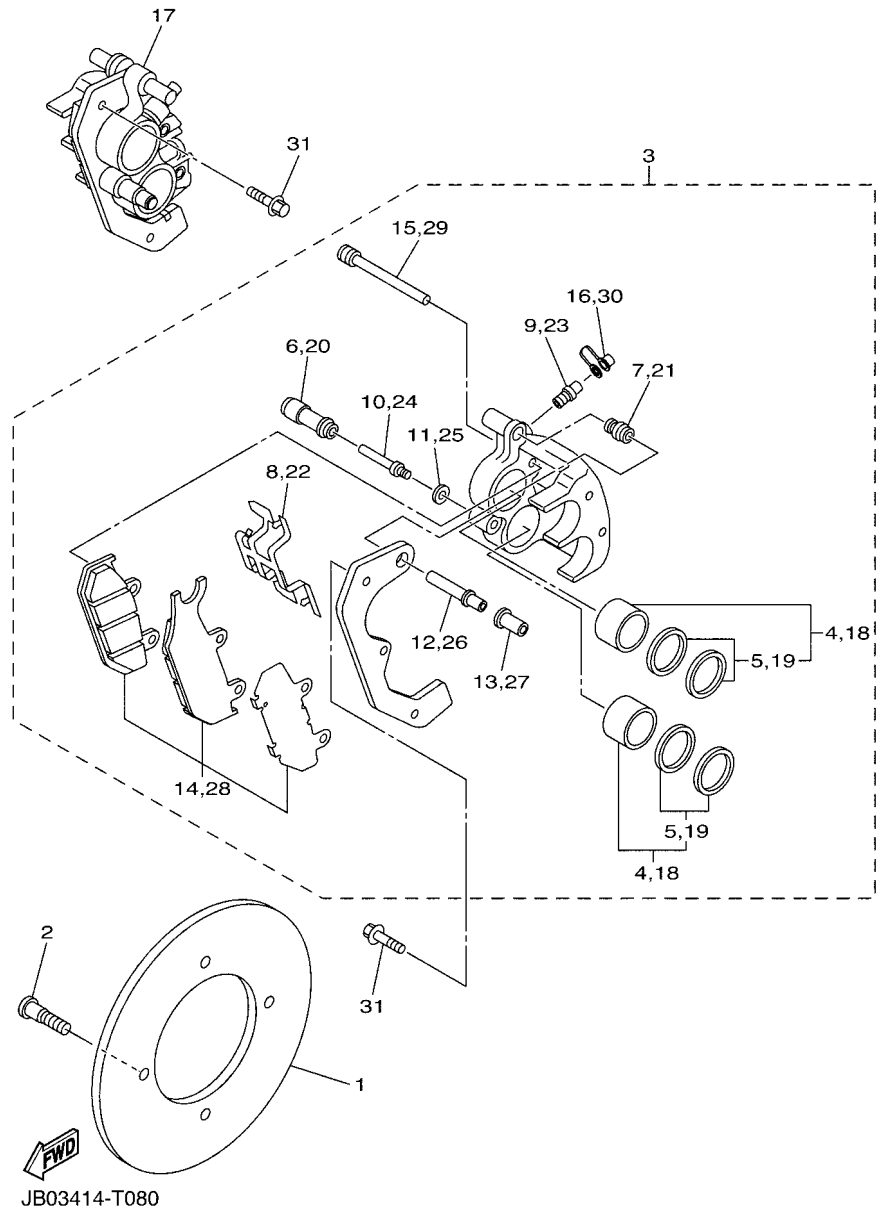
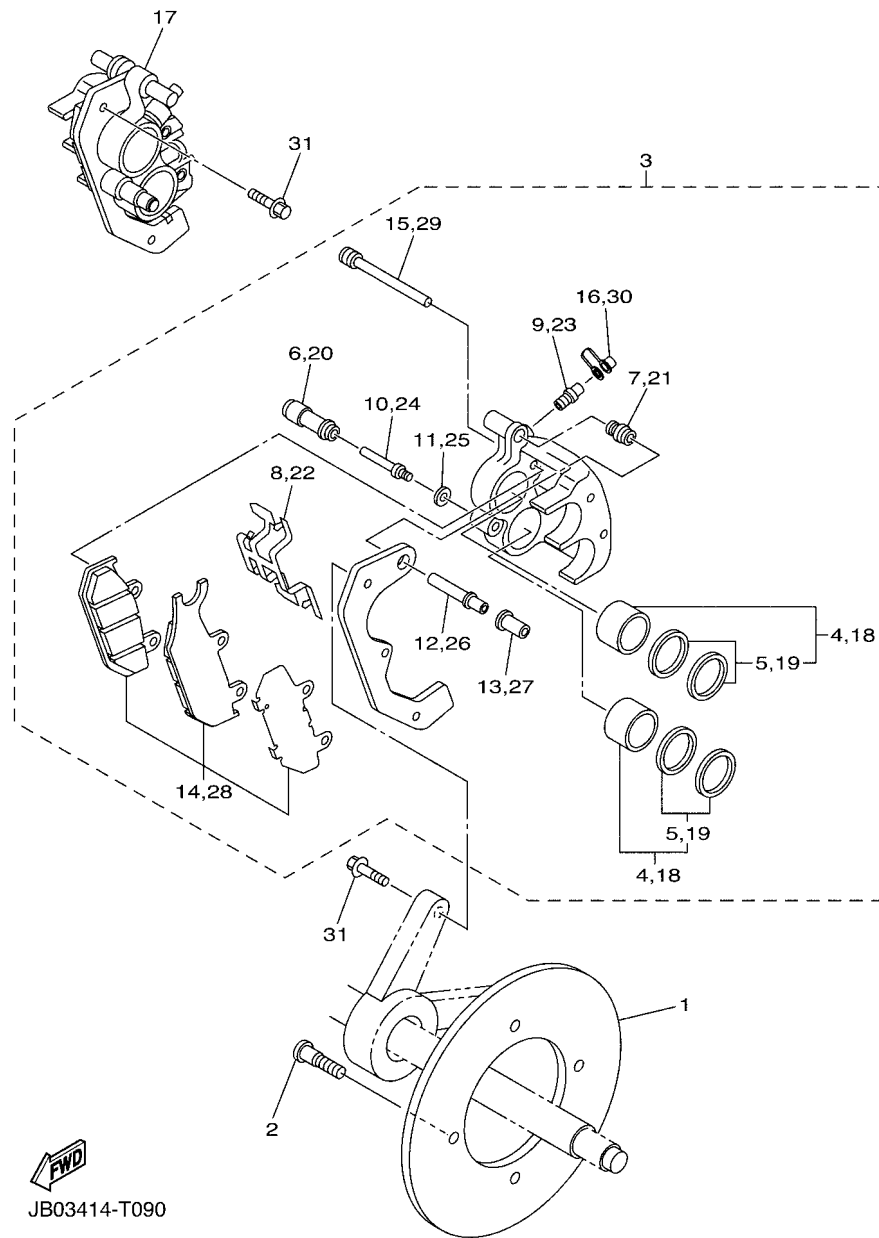


FIG. 6 BRAKE 2

REF. NO.	PART NO.	DESCRIPTION	JB13				REMARKS
1	JX2-2582T-00	DISC, BRAKE	2				
2	90109-08221	BOLT	8				
3	JX2-2580T-02	CALIPER ASSY (LEFT)	1				
4	3TB-W0057-00	.PISTON ASSY, CALIPER	2				
5	3GD-W0047-00	..CALIPER SEAL KIT	1				
6	1UY-25937-51	.BOOT 2	1				
7	3JD-25917-00	.BOOT, CALIPER	1				
8	JX2-25919-00	.SUPPORT, PAD	1				
9	1UY-25824-51	.SCREW, BLEED	1				
10	1UY-25926-51	.BOLT	1				
11	1UY-25938-51	.WASHER, SPRING	1				
12	3JD-25926-00	.BOLT	1				
13	JX2-25961-00	.NUT	1				
14	JX2-W0045-11	.BRAKE PAD KIT	1				
15	3TB-25933-00	.WASHER, PAD PIN	2				
16	1UY-25825-51	.CAP	1				
17	JX2-2580U-02	CALIPER ASSY (RIGHT)	1				
18	3TB-W0057-00	.PISTON ASSY, CALIPER	2				
19	3GD-W0047-00	..CALIPER SEAL KIT	1				
20	1UY-25937-51	.BOOT 2	1				
21	3JD-25917-00	.BOOT, CALIPER	1				
22	JX2-25919-00	.SUPPORT, PAD	1				
23	1UY-25824-51	.SCREW, BLEED	1				
24	1UY-25926-51	.BOLT	1				
25	1UY-25938-51	.WASHER, SPRING	1				
26	3JD-25926-00	.BOLT	1				
27	JX2-25961-00	.NUT	1				





JB03414-T090

FIG. 7 BRAKE 3

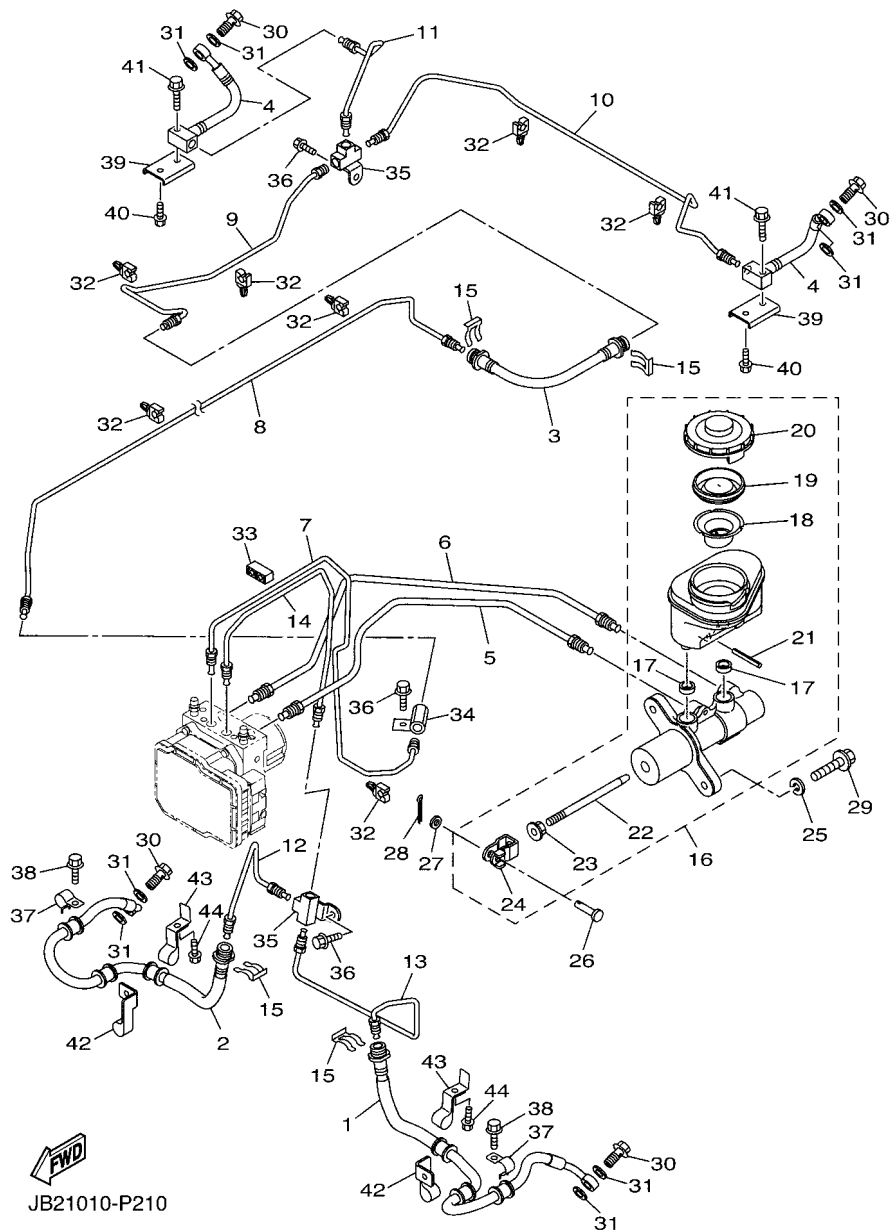
REF. NO.	PART NO.	DESCRIPTION	JB13				REMARKS
1	JX2-2582T-00	DISC, BRAKE	2				
2	90109-08221	BOLT	8				
3	JX2-2580T-02	CALIPER ASSY (LEFT)	1				
4	3TB-W0057-00	.PISTON ASSY, CALIPER	2				
5	3GD-W0047-00	..CALIPER SEAL KIT	1				
6	1UY-25937-51	.BOOT 2	1				
7	3JD-25917-00	.BOOT, CALIPER	1				
8	JX2-25919-00	.SUPPORT, PAD	1				
9	1UY-25824-51	.SCREW, BLEED	1				
10	1UY-25926-51	.BOLT	1				
11	1UY-25938-51	.WASHER, SPRING	1				
12	3JD-25926-00	.BOLT	1				
13	JX2-25961-00	.NUT	1				
14	JX2-W0045-11	.BRAKE PAD KIT	1				
15	3TB-25933-00	.WASHER, PAD PIN	2				
16	1UY-25825-51	.CAP	1				
17	JX2-2580U-02	CALIPER ASSY (RIGHT)	1				
18	3TB-W0057-00	.PISTON ASSY, CALIPER	2				
19	3GD-W0047-00	..CALIPER SEAL KIT	1				
20	1UY-25937-51	.BOOT 2	1				
21	3JD-25917-00	.BOOT, CALIPER	1				
22	JX2-25919-00	.SUPPORT, PAD	1				
23	1UY-25824-51	.SCREW, BLEED	1				
24	1UY-25926-51	.BOLT	1				
25	1UY-25938-51	.WASHER, SPRING	1				
26	3JD-25926-00	.BOLT	1				
27	JX2-25961-00	.NUT	1				







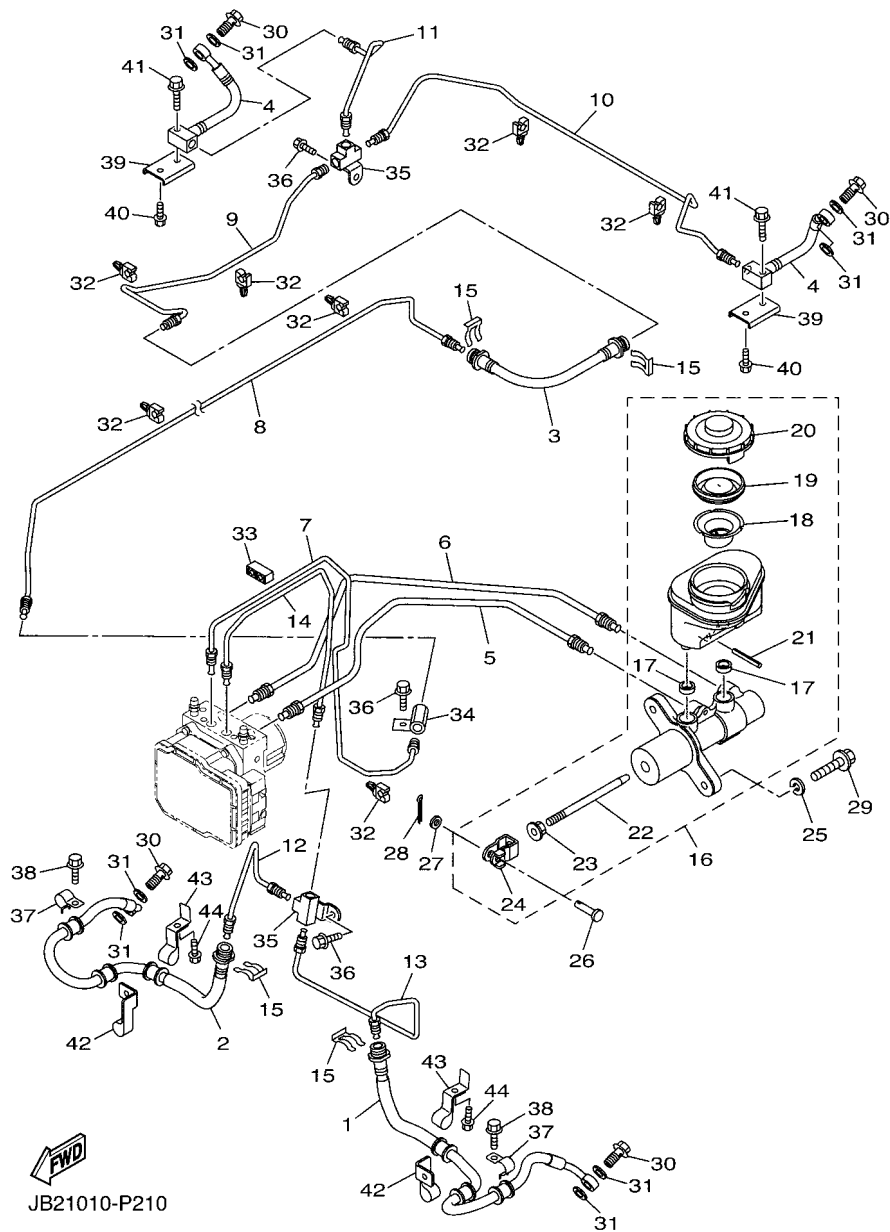
**FIG. 9 FRONT MASTER CYLINDER**



JB21010-P210

REF. NO.	PART NO.	DESCRIPTION	JB13				REMARKS
1	JB2-25872-00	HOSE, BRAKE 1	1				
2	JB2-25873-00	HOSE, BRAKE 2	1				
3	JB2-25874-00	HOSE, BRAKE	1				
4	JB2-2581J-00	HOSE, BRAKE 4	2				
5	JB2-2588H-00	PIPE, BRAKE 9	1				
6	JB2-2588J-00	PIPE, BRAKE 10	1				
7	JB2-25871-00	PIPE, BRAKE	1				
8	JX2-25882-10	PIPE, BRAKE 2	1				
9	JX3-25883-10	PIPE, BRAKE 3	1				
10	JB2-2588A-00	PIPE, BRAKE 4	1				
11	JB2-2588B-00	PIPE, BRAKE 5	1				
12	JX2-2588C-10	PIPE, BRAKE 6	1				
13	JY2-2588D-00	PIPE, BRAKE 7	1				
14	JB2-2588E-00	PIPE, BRAKE 8	1				
15	2GU-25866-00	CIRCLIP	4				
16	JB2-2583T-00	MASTER CYLINDER ASSY	1				
17	JB2-26326-00	.GROMMET	2				
18	JB2-25896-00	.PLATE, RESERVOIR	1				
19	JB2-25816-00	.SEAL, DUST	1				
20	JB2-25852-00	.CAP, RESERVOIR	1				
21	JB2-25826-00	.BOLT 3	1				
22	JB2-25880-00	.PUSH ROD COMP.	1				
23	JB2-27218-00	.NUT	1				
24	JB2-27222-00	.JOINT	1				
25	92902-08100	WASHER, SPRING	2				
26	JB2-27229-00	PIN, JOINT	1				
27	90201-08088	WASHER, PLATE	1				

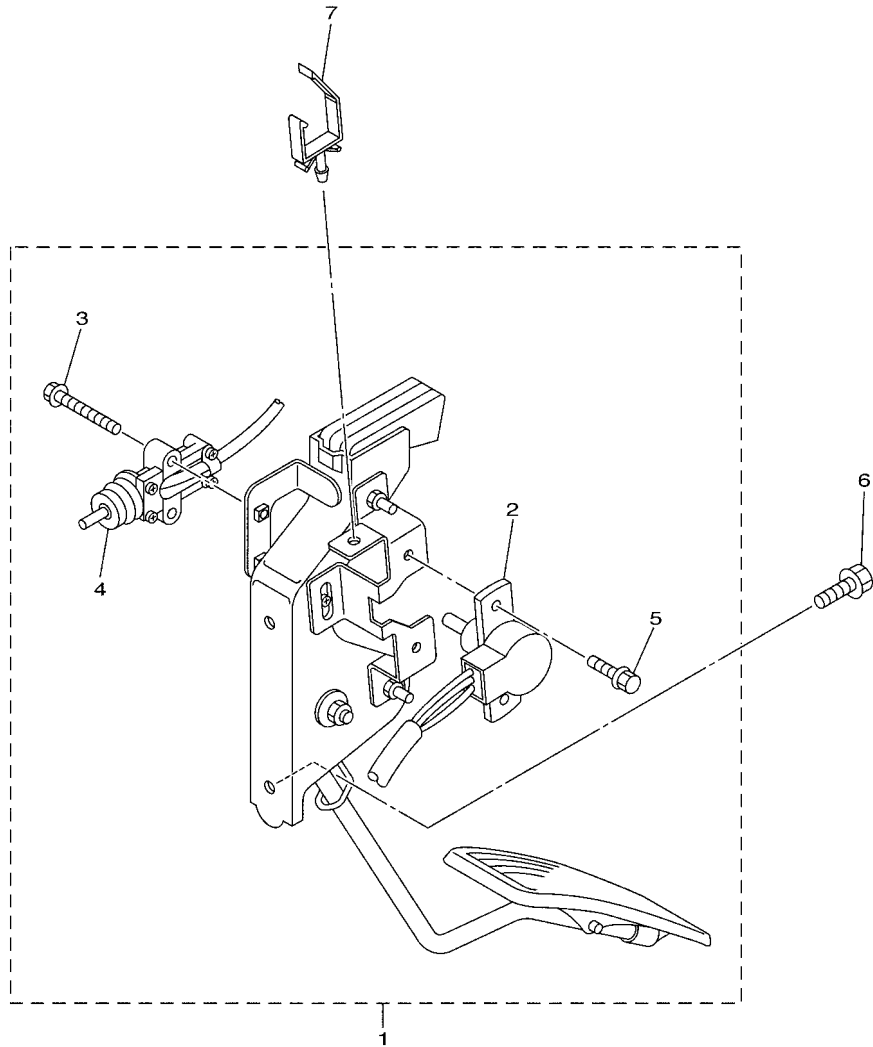
**FIG. 9 FRONT MASTER CYLINDER**



JB21010-P210

REF. NO.	PART NO.	DESCRIPTION	JB13				REMARKS
28	91490-25020	PIN. COTTER	1				
29	95812-08025	BOLT, FLANGE	2				
30	90401-10015	BOLT, UNION	4				
31	90201-10118	WASHER, PLATE	8				
32	5GM-81677-00	CLAMP 1	6				
33	90464-04002	CLAMP	2				
34	JX2-25885-11	JOINT	1				
35	JX2-2582A-00	JOINT	2				
36	95022-06012	BOLT, FLANGE	3				
37	5KM-25875-00	HOLDER, BRAKE HOSE 1	2				
38	95802-06012	BOLT, FLANGE	2				
39	JB2-25876-00	HOLDER, BRAKE HOSE 2	2				
40	95802-06012	BOLT, FLANGE	2				
41	95802-06025	BOLT, FLANGE	2				
42	JX2-25887-00	HOLDER, BRAKE HOSE	2				
43	JX2-2587A-00	HOLDER, BRAKE HOSE	2				
44	90109-06302	BOLT	2				

**FIG. 10 ACCELERATOR**

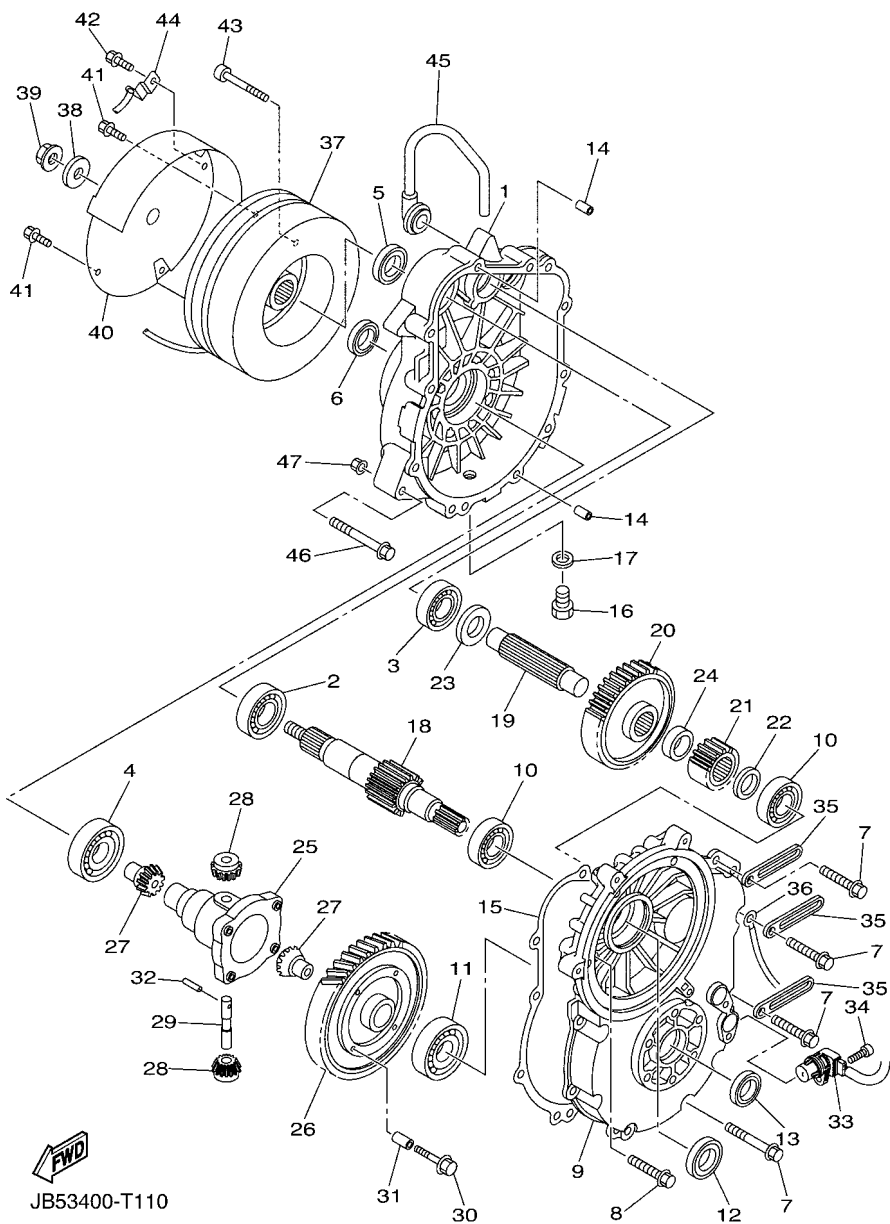


REF. NO.	PART NO.	DESCRIPTION	JB13	REMARKS
1	JY2-27801-01	ACCEL PEDAL ASSY	1	
2	JN9-85885-00	.THROTTLE SENSORASSY	1	
3	90105-05331	.BOLT, FLANGE	2	
4	JF7-82817-22	.SWITCH	1	
5	97507-05512	.BOLT, WITH WASHER	2	
6	95802-06012	BOLT, FLANGE	2	
7	90464-16021	CLAMP	1	



JB21010-P220

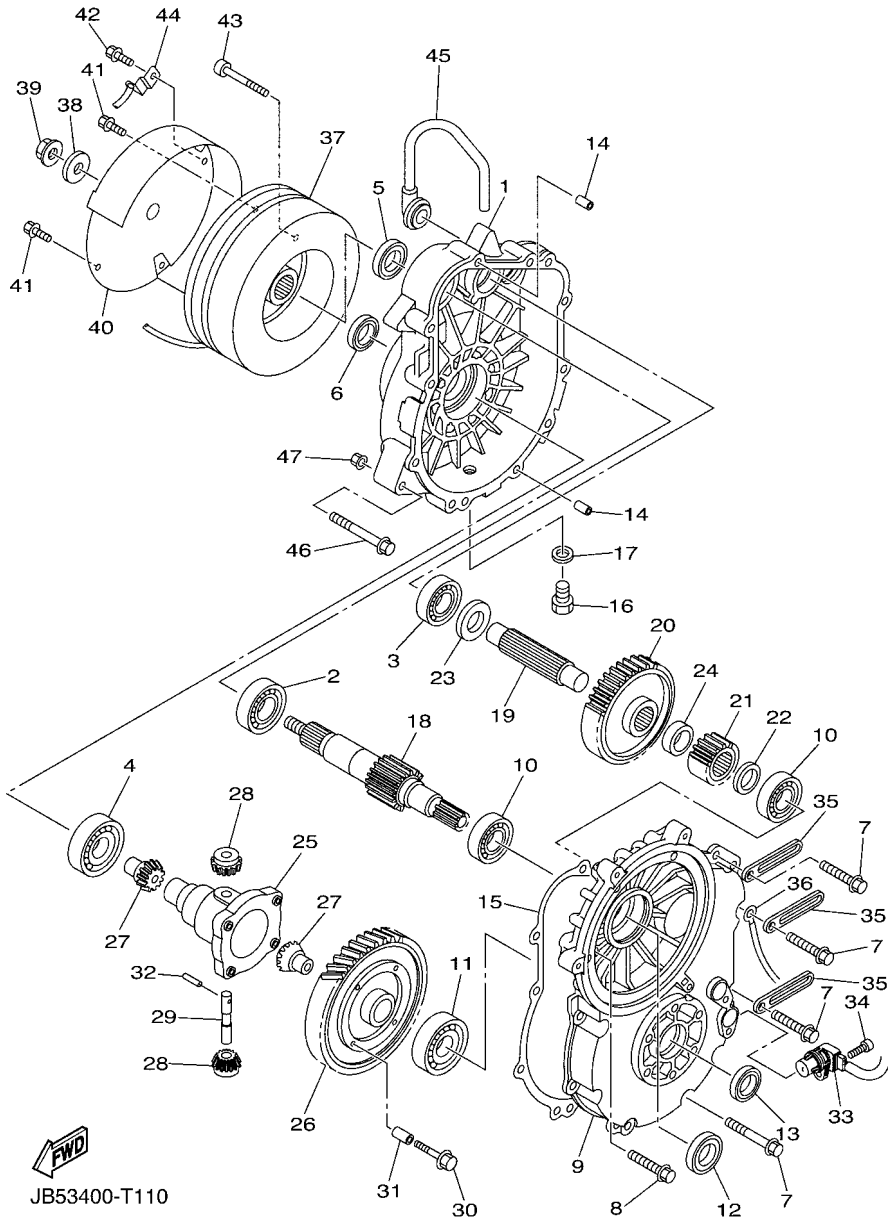
FIG. 11 TRANSAXLE



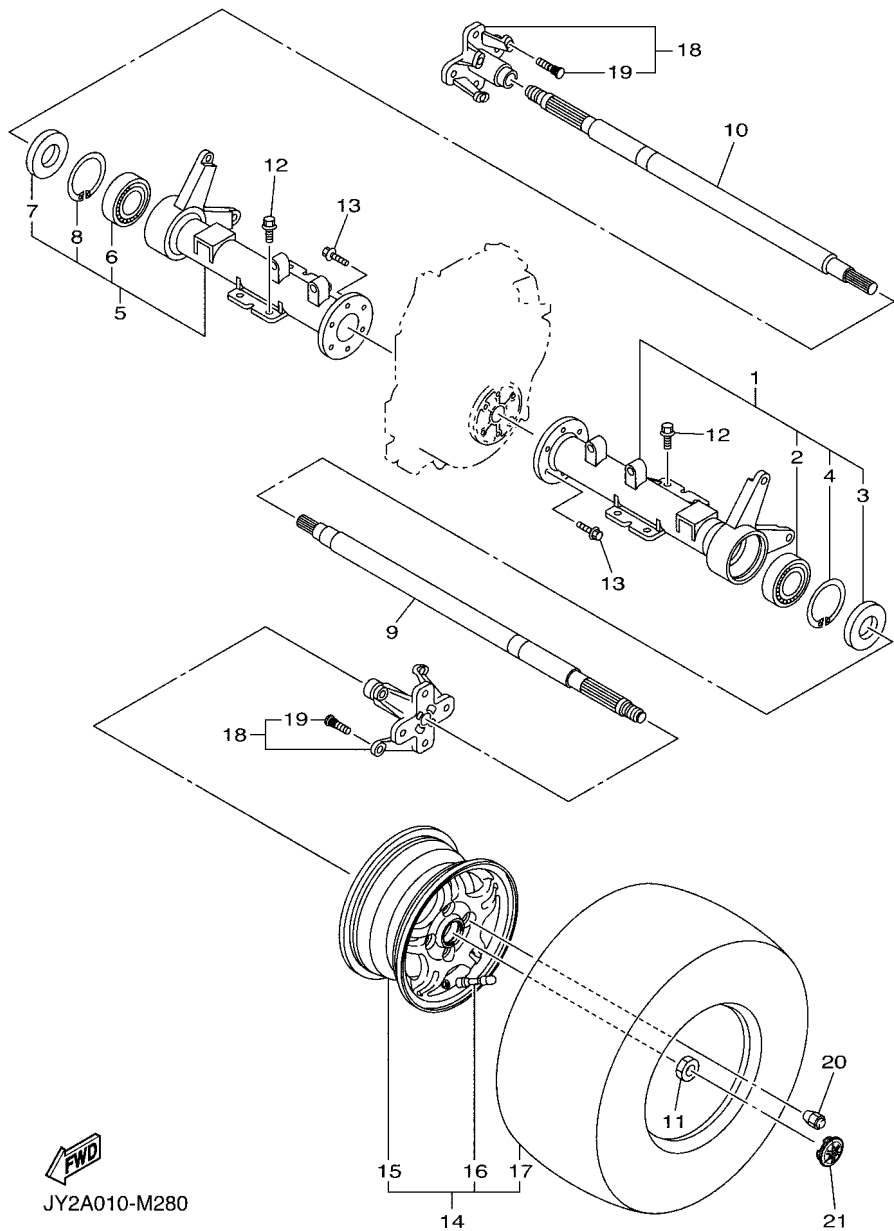
JB53400-T110

REF. NO.	PART NO.	DESCRIPTION	JB13				REMARKS
1	JB8-46311-00	CASE, TRANSMISSION 1	1				
2	93306-20501	BEARING	1				
3	93306-20401	BEARING	1				
4	93306-00803	BEARING	1				
5	93102-25017	OIL SEAL	1				
6	93102-25360	OIL SEAL	1				
7	95822-08040	BOLT, FLANGE	8				
8	95822-08050	BOLT, FLANGE	2				
9	JB8-46312-00	CASE, TRANSMISSION 2	1				
10	93306-20401	BEARING	2				
11	93306-00803	BEARING	1				
12	93102-20143	OIL SEAL	1				
13	93102-25360	OIL SEAL	1				
14	99530-12016	PIN, DOWEL	2				
15	JX3-46319-00	GASKET	1				
16	90340-14036	PLUG, STRAIGHT SCREW	1				
17	90430-14043	GASKET	1				
18	JB3-46321-00	SHAFT, INPUT	1				
19	JB3-46351-00	SHAFT, COUNTER	1				
20	JB3-46361-00	GEAR, COUNTER 1	1				
21	JB3-46362-00	GEAR, COUNTER 2	1				
22	90201-20032	WASHER, PLATE	1				
23	90201-20033	WASHER, PLATE	1				
24	90387-252M8	COLLAR	1				
25	JB2-46411-00	CASE, DIFFERENTIAL	1				
26	JB3-46421-00	GEAR, RING	1				
27	JB2-46414-00	GEAR, DIFFERENTIAL SIDE	2				

**FIG. 11 TRANSAXLE**



REF. NO.	PART NO.	DESCRIPTION	JB13				REMARKS
28	JB2-46415-00	PINION, DIFFERENTIAL	2				
29	JB2-46417-00	PIN, DIFFERENTIAL	1				
30	90105-10348	BOLT, FLANGE	4				
31	99530-14016	PIN, DOWEL	2				
32	91609-40040	PIN, SPRING	1				
33	JB2-86281-00	SENSOR, SPEED	1				
34	90110-06091	BOLT, HEXAGON SOCKET HEAD	1				
35	90462-08007	CLAMP	3				
36	JY3-82519-00	WIRE, EARTH LEAD	1				
37	JX3-86290-00	ELECTRO MAGNETIC BRAKE ASSY	1				
38	90201-12195	WASHER, PLATE	1				
39	95602-12200	NUT, SELF-LOCKING	1				
40	JX2-8234W-01	COVER, CAP	1				
41	95802-06010	BOLT, FLANGE	2				
42	90105-06452	BOLT, FLANGE	1				
43	91317-08045	BOLT,HEX.SOCKET HEAD	3				
44	JY3-83688-00	SENSOR ASSY	1				
45	JN3-47559-00	CAP 2	1				
46	95812-08075	BOLT, FLANGE	1				
47	90179-08491	NUT	1				

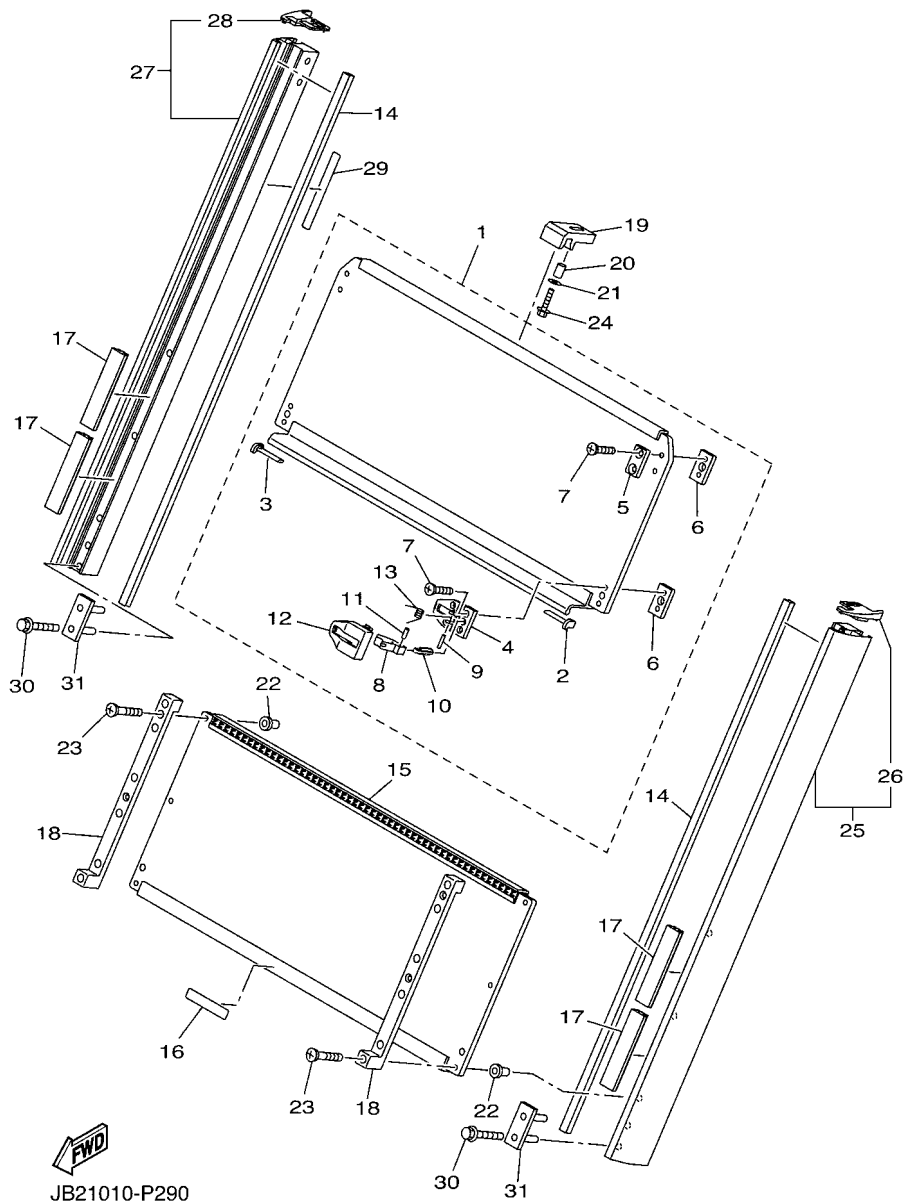



  
 JY2A010-M280

**FIG. 12 REAR AXLE & WHEEL**

REF. NO.	PART NO.	DESCRIPTION	JBT3	REMARKS
1	JX2-46540-00	REAR AXLE HOUSING COMP.	1	
2	93306-30578	.BEARING	1	
3	93102-35109	.OIL SEAL (SD-35-62-6 HS)	1	
4	99009-62500	.CIRCLIP	1	
5	JX2-46550-00	REAR AXLE HOUSING COMP. 2	1	
6	93306-30578	.BEARING	1	
7	93102-35109	.OIL SEAL (SD-35-62-6 HS)	1	
8	99009-62500	.CIRCLIP	1	
9	JY2-46511-00	SHAFT, REAR AXLE 1 (L.H)	1	
10	JY2-46512-00	SHAFT, REAR AXLE 2 (R.H)	1	
11	90179-20016	NUT	2	
12	90101-10038	BOLT	8	
13	95812-10030	BOLT, FLANGE	12	
14	JY2-25100-00	AL WHEEL ASSY (190/50-12-4PR)	2	
15	JY8-25180-00	.WHEEL COMP. (ALUMINIUM)	1	
16	93900-00022	.VALVE, RIM (TR413)	1	TAIHEIYO
17	JX4-2510S-20	.TIRE (190/50-12-4PR KENDA)	1	
18	JB2-25310-00	HUB ASSY	2	
19	90114-10019	.BOLT, SERRATION	4	
20	90179-10031	NUT	8	
21	JY8-2512A-01	CAP, WHEEL	2	

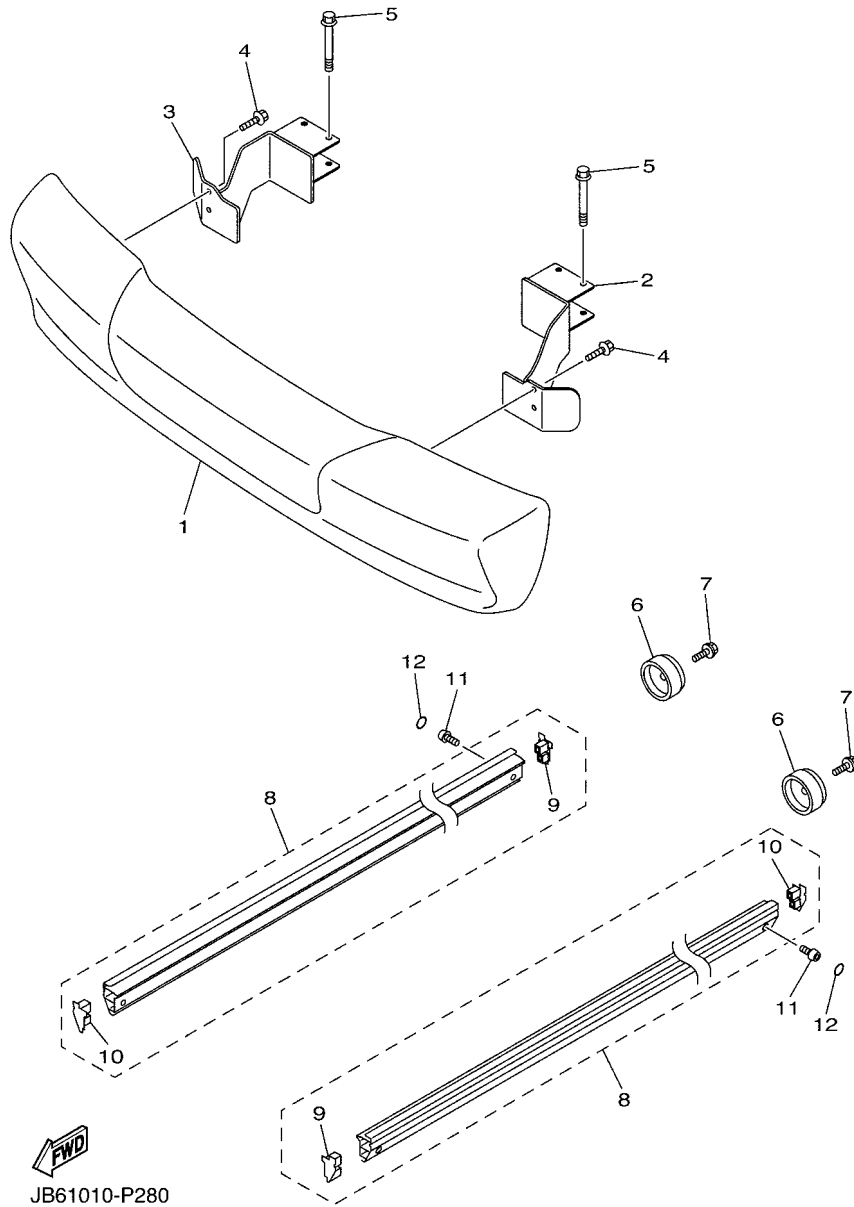
FIG. 13 WINDSHIELD(SPLIT TYPE)



REF. NO.	PART NO.	DESCRIPTION	JB13				REMARKS
1	JB2-77201-02	UPPER WINDSHIELD ASSY	1				
2	JB2-77213-00	.TRIM, UPPER	1				
3	JB2-77214-00	.TRIM, LOWER	1				
4	JB2-77261-00	.LINING, SHROUD 1	2				
5	JB2-77262-00	.LINING, SHROUD 2	2				
6	JX4-77217-00	.NUT, WIND SHIELD	4				
7	98780-06014	.SCREW, FLAT HEAD	8				
8	JY3-77223-00	.FASTNER	2				
9	91690-20020	.PIN, SPRING	2				
10	JY2-77212-10	.BOLT, WIND SHIELD	2				
11	91690-30012	.PIN, SPRING	2				
12	JY3-77263-01	.LINING, SHROUD 3	2				
13	JY3-77174-00	.SPRING 1	2				
14	JB2-77233-01	TRIM, 7	2				
15	JB2-77202-02	LOWER WINDSHIELD ASSY	1				
16	JY4-77768-10	LABEL, WARNING 8	1				
17	JB2-77283-00	STRIPE 3	4				
18	JB2-77271-00	DAMPER, NOISE 11	2				
19	JB2-77275-00	DAMPER, NOISE 15	1				
20	90387-06553	COLLAR	1				
21	90201-06020	WASHER, PLATE	1				
22	90179-06020	NUT	6				
23	98780-06035	SCREW, FLAT HEAD	6				
24	95880-06025	BOLT, FLANGE	1				
25	JB2-7830A-00	ROOF SUPPORT ASSY 1	1				
26	JB2-7813F-00	.COVER, SIDE PILLAR (L.H)	1				
27	JB2-7830B-00	ROOF SUPPORT ASSY 2	1				







**FIG. 14 BUMPER**

REF. NO.	PART NO.	DESCRIPTION	JB13				REMARKS
1	JB2-77510-00	FRONT BUMPER COMP.	1				
2	JX4-78164-00	STAY, FRONT BUMPER (L.H)	1				
3	JX4-78165-00	STAY, FRONT BUMPER (R.H)	1				
4	95822-06012	BOLT, FLANGE	4				
5	95827-08065	BOLT, FLANGE	4				
6	JX4-77520-00	BUMPER COMP 1	2				
7	95022-08025	BOLT, FLANGE	2				
8	JB2-78180-00	SIDE SILL PLATE ASSY	2				
9	JX4-7818E-00	.CAP, PROTECTOR END 1	1				
10	JX4-7818F-00	.CAP, PROTECTOR END 2	1				
11	90111-08027	BOLT,HEX. SOCKET BUTTON	4				
12	JF7-77563-00	COVER, 3	4				

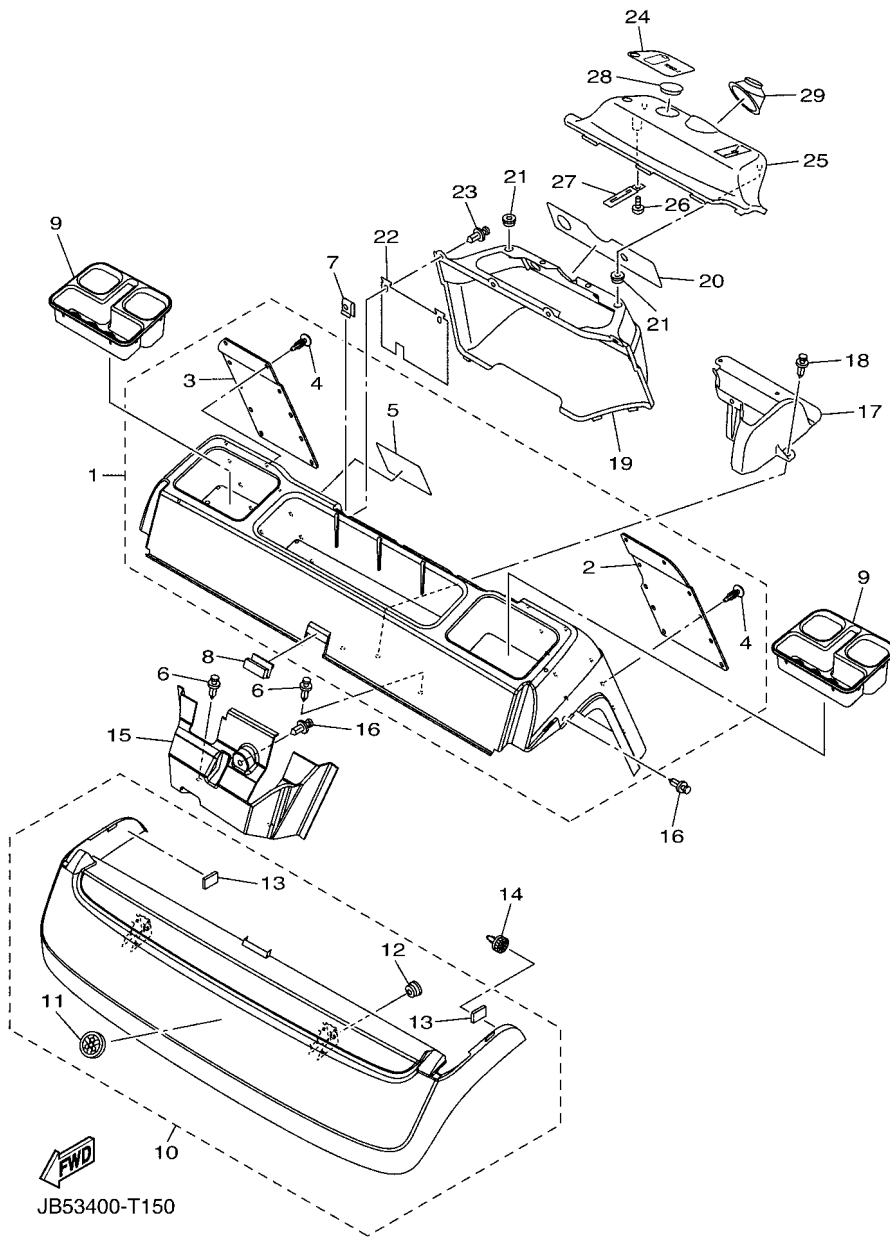


FIG. 15 BODY

REF. NO.	PART NO.	DESCRIPTION	JB13			REMARKS
1	JB2-78100-30	BODY SHELL PANEL ASSY	1			
2	JB2-78243-00	.MAT, REAR BODY SIDE (LH)	1			
3	JB2-78244-00	.MAT, REAR BODY SIDE (RH)	1			
4	90269-07064	.RIVET	20			
5	JB2-78298-20	.PLATE, CAUTION 2	1			
6	90269-10005	RIVET	4			
7	JX4-7814H-00	HOOK, BODY LOCK	4			
8	JY2-78328-20	SPACER 1	1			
9	JX4-7835E-00	HOLDER, BEVERAGE	2			
10	JX4-78101-00	BODY SHELL PANEL SUB-ASSY 1	1			UR FOR RW
	JX4-78101-60	BODY SHELL PANEL SUB-ASSY 1	1			UR FOR DNGM3
	JX4-78101-20	BODY SHELL PANEL SUB-ASSY 1	1			UR FOR DRMD
	JX4-78101-30	BODY SHELL PANEL SUB-ASSY 1	1			UR FOR DPBMC
	JX4-78101-10	BODY SHELL PANEL SUB-ASSY 1	1			UR FOR VDGS1
11	8AC-2414B-01	.EMBLEM	1			
12	90480-13398	.GROMMET	2			
13	JX4-77188-00	.STOPPER	2			
14	JX4-77157-00	PIN, HINGE	2			
15	JY2-78113-00	PANEL, SIDE	1			
16	90269-10005	RIVET	3			
17	JB2-27411-00	FOOTREST 1	1			
18	90269-10005	RIVET	2			
19	JB2-77711-00	PANEL, INSTRUMENT	1			
20	JB5-77741-00	INDICATOR 1	1			
21	90480-13567	GROMMET	2			
22	JX2-78181-00	PLATE 1	1			
23	90269-10005	RIVET	4			



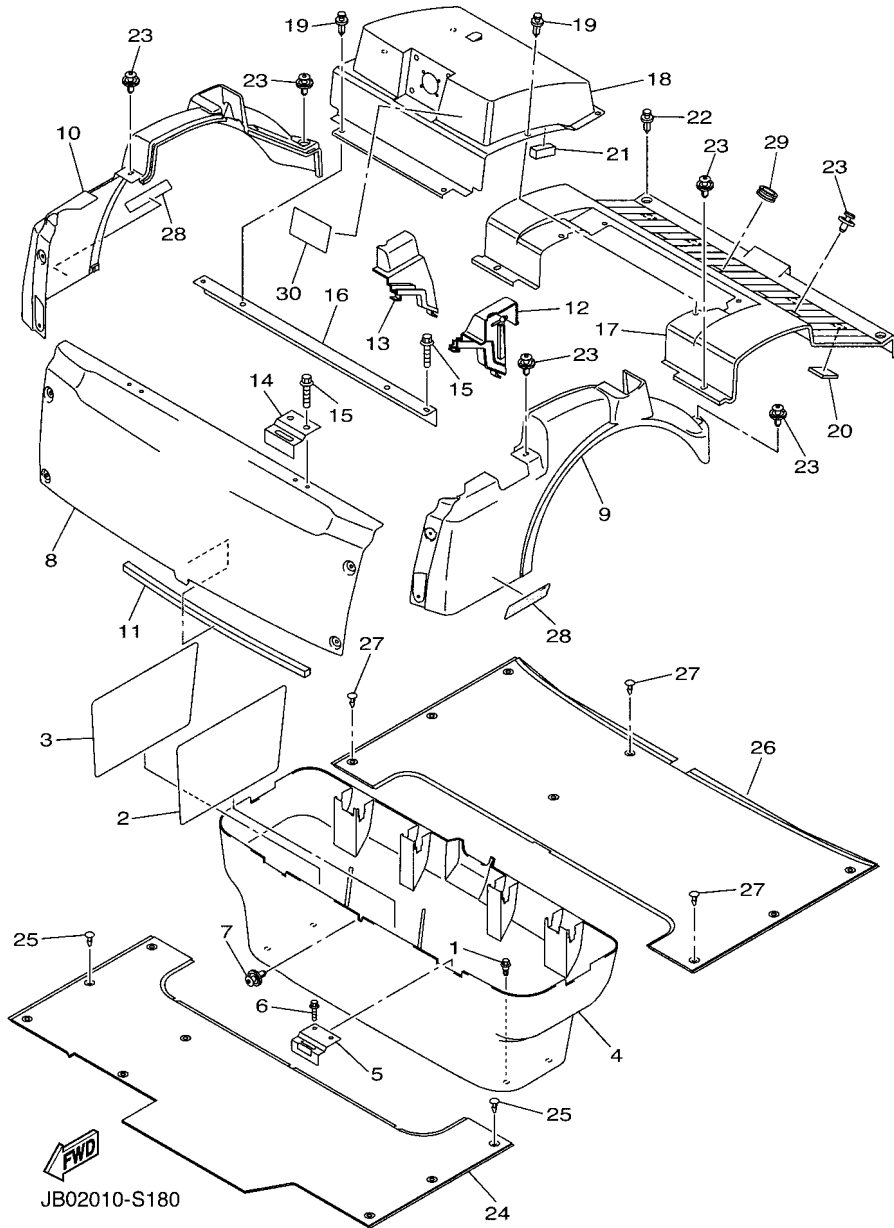
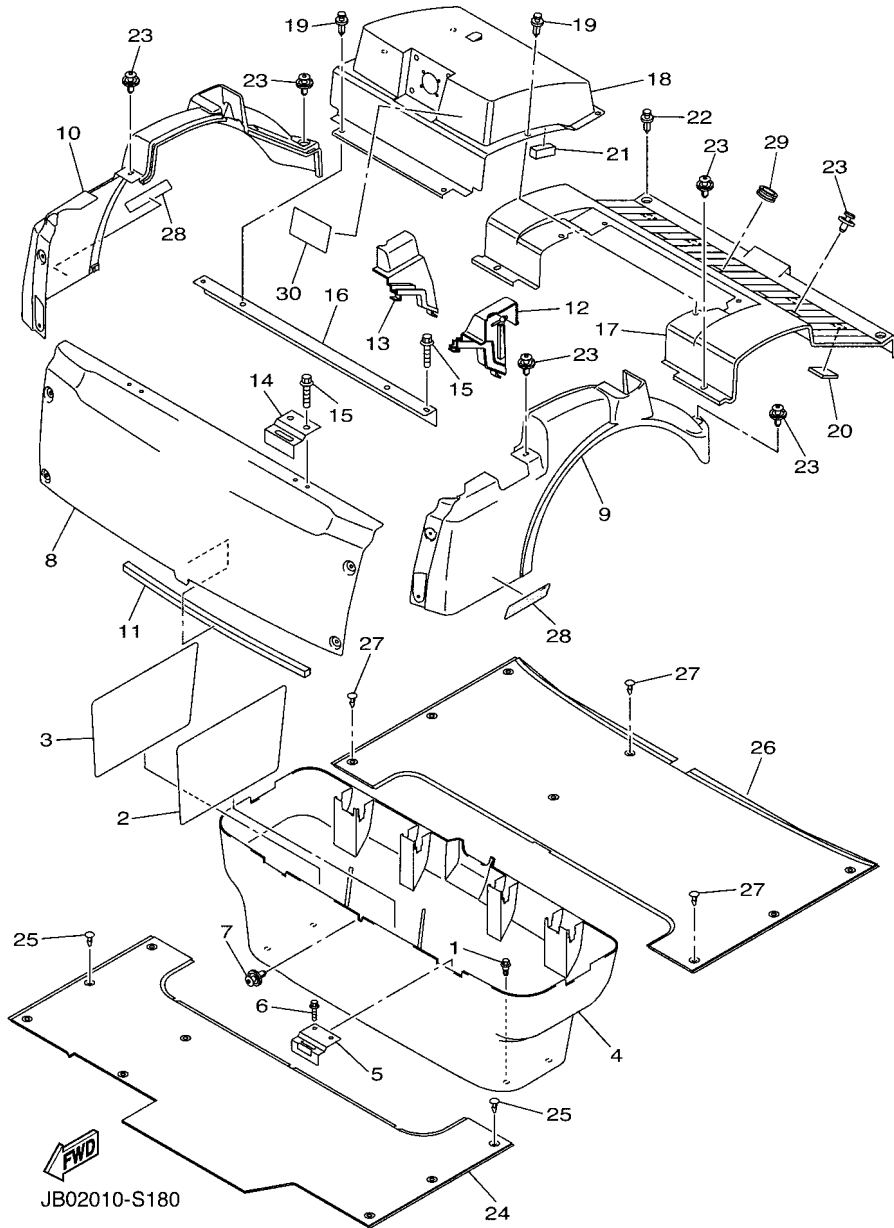


FIG. 16 BODY 2

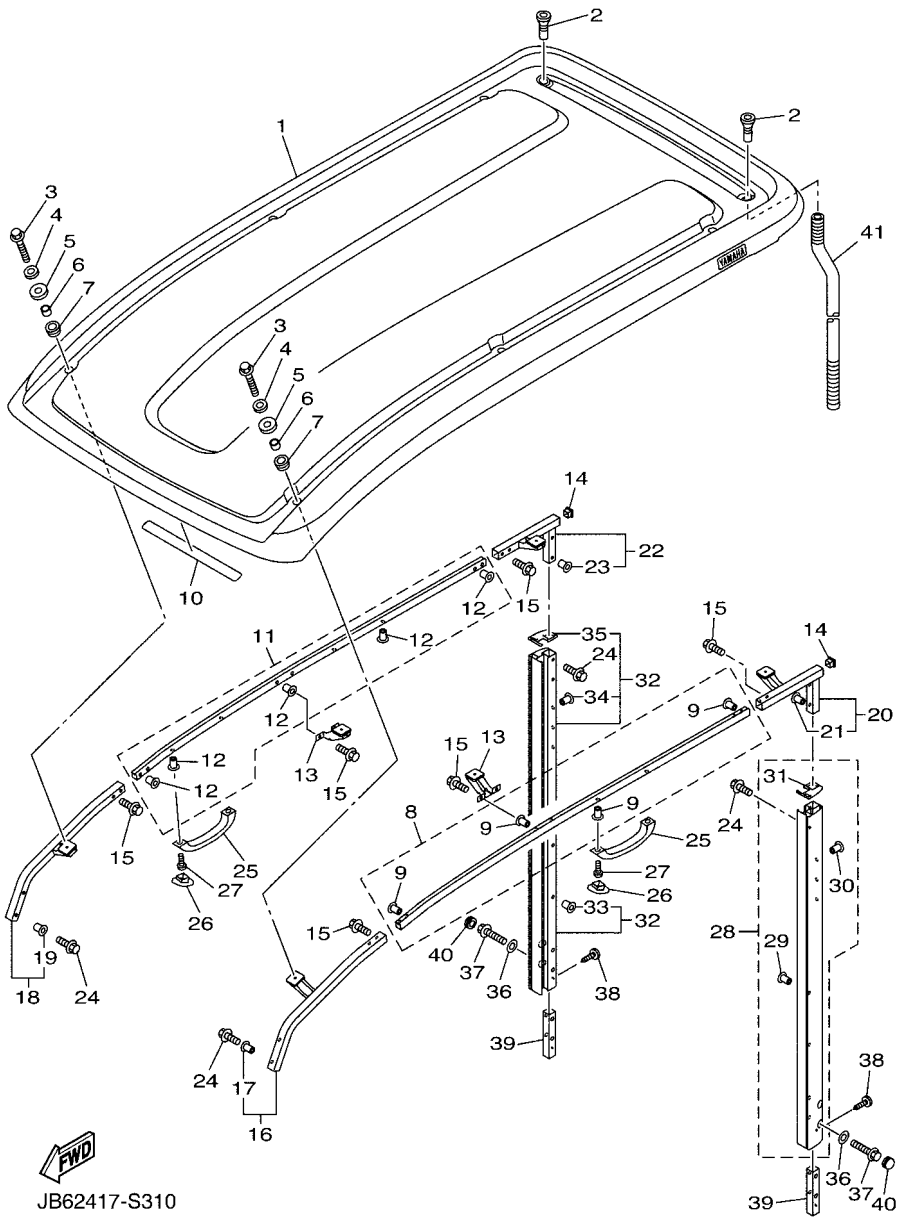
REF. NO.	PART NO.	DESCRIPTION	JB13		REMARKS
1	90109-06212	BOLT	4		
2	JY2-78117-00	PLATE 1	1		
3	JY2-78118-00	PLATE 2	1		
4	JB3-78141-00	PANEL, INTERMEDIATE BODY	1		
5	JY2-78427-00	HINGE, SEAT 2	2		
6	95802-06030	BOLT, FLANGE	4		
7	90269-07010	RIVET	1		
8	JY2-78142-00	PANEL, REAR BODY	1		
9	JB3-78130-00	SHELL SIDE PANEL ASSY 1	1		UR FOR RW
	JB3-78130-60	SHELL SIDE PANEL ASSY 1	1		UR FOR DNGM3
	JB3-78130-20	SHELL SIDE PANEL ASSY 1	1		UR FOR DRMD
	JB3-78130-30	SHELL SIDE PANEL ASSY 1	1		UR FOR DPBMC
	JB3-78130-10	SHELL SIDE PANEL ASSY 1	1		UR FOR VDGS1
10	JB3-78140-00	SHELL SIDE PANEL ASSY 2	1		UR FOR RW
	JB3-78140-60	SHELL SIDE PANEL ASSY 2	1		UR FOR DNGM3
	JB3-78140-20	SHELL SIDE PANEL ASSY 2	1		UR FOR DRMD
	JB3-78140-30	SHELL SIDE PANEL ASSY 2	1		UR FOR DPBMC
	JB3-78140-10	SHELL SIDE PANEL ASSY 2	1		UR FOR VDGS1
11	JY3-78329-00	SPACER 2	1		
12	JX4-7832H-00	GROMMET, ROOF SUPPORT 3	1		
13	JX4-7833H-00	GROMMET, ROOF SUPPORT 4	1		
14	JX4-78427-00	HINGE, SEAT 2	2		
15	95802-06040	BOLT, FLANGE	6		
16	JX4-2254R-01	SUPPORT, BODY MOUNTING	1		
17	JY3-78150-10	INSPECTION LID ASSY	1		
18	JY3-7813H-00	COVER, VENTILATOR	1		
19	90269-10005	RIVET	6		



**FIG. 16 BODY 2**

REF. NO.	PART NO.	DESCRIPTION	JB13				REMARKS
20	JX4-7814E-00	SEAL, BODY SIDE 1	4				
21	JY3-78305-00	DAMPER	1				
22	90269-10005	RIVET	2				
23	90269-07010	RIVET	16				
24	JB2-78231-00	MAT, MAIN FLOOR 1	1				
25	90269-07064	RIVET	9				
26	JB2-78241-00	MAT, REAR FLOOR	1				
27	90269-07064	RIVET	8				
28	JB8-77142-00	EMBLEM 2	2				
29	90338-15004	PLUG	1				
30	JT2-77766-22	LABEL, WARNING 6	1				



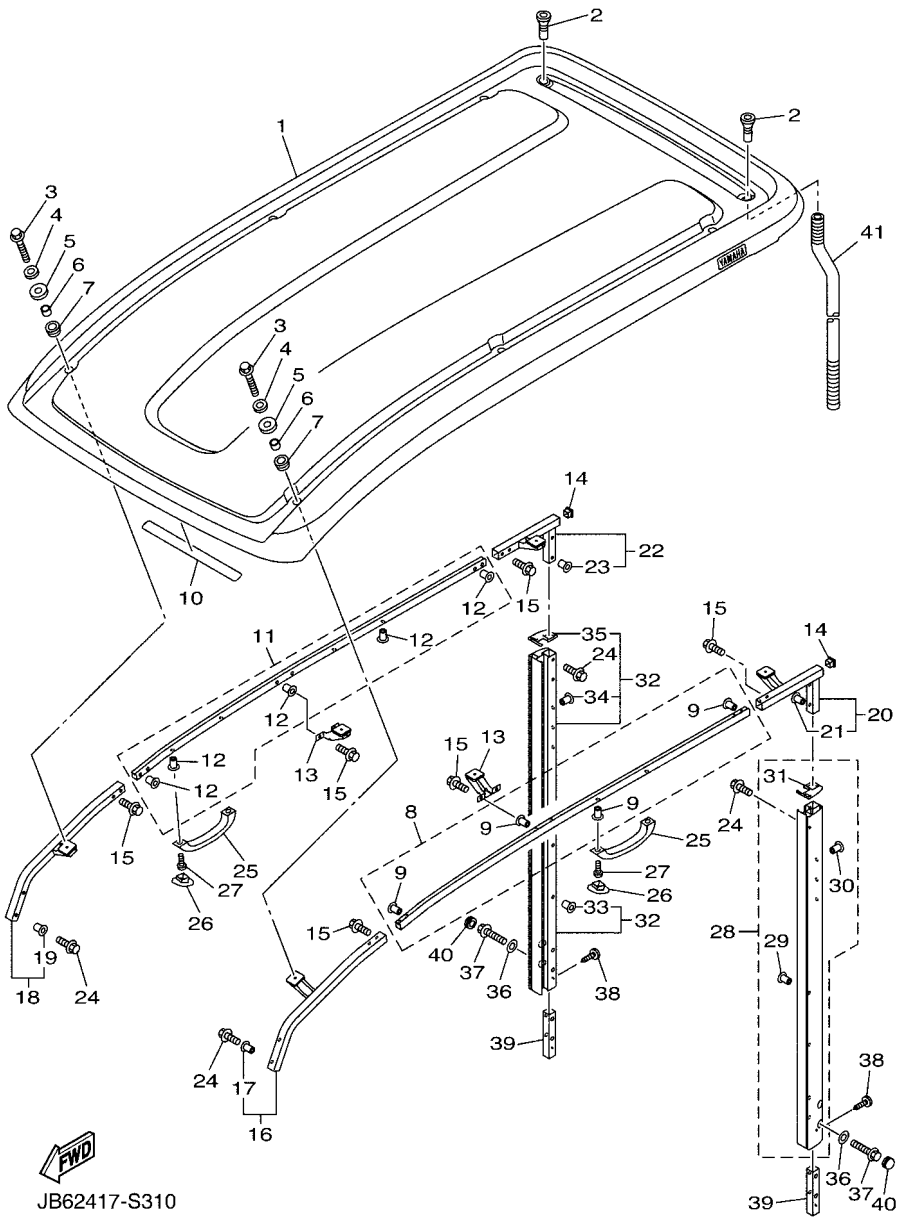


JB62417-S310

FIG. 18 SUN ROOF

REF. NO.	PART NO.	DESCRIPTION	JB13				REMARKS
1	JB3-78314-00	COVER, SUN ROOF	1				
2	JX4-7832F-00	GROMMET, ROOF SUPPORT 1	2				
3	95880-06030	BOLT, FLANGE	6				
4	90201-06115	WASHER, PLATE	6				
5	90201-06116	WASHER, PLATE	6				
6	90387-15019	COLLAR	6				
7	90480-25004	GROMMET	6				
8	JB2-78392-00	MEMBER, ROOF FRAME	1				
9	90179-06636	.NUT	8				
10	JB5-78299-00	PLATE, CAUTION	1				
11	JB2-78393-00	MEMBER, ROOF FRAME 2	1				
12	90179-06636	.NUT	10				
13	JB2-7833K-10	BRACKET, ROOF REAR	2				
14	JX7-7836H-00	CAP, BAG SUPPORT	2				
15	95880-06016	BOLT, FLANGE	12				
16	JB3-7830E-00	SUNROOF PIPE ASSY 1	1				
17	90179-06021	.NUT	2				
18	JB3-7830E-10	SUNROOF PIPE ASSY 1	1				
19	90179-06021	.NUT	2				
20	JB3-7830F-00	SUNROOF PIPE ASSY 2	1				
21	90179-06021	.NUT	2				
22	JB3-7830F-10	SUNROOF PIPE ASSY 2	1				
23	90179-06021	.NUT	2				
24	95880-06020	BOLT, FLANGE	8				
25	JF7-78214-00	GRIP, HAND	3				
26	J50-78274-10	COVER, HOLE 2	6				
27	90157-06068	SCREW, PAN HEAD	6				





JB62417-S310

FIG. 18 SUN ROOF

REF. NO.	PART NO.	DESCRIPTION	JB13				REMARKS
28	JB2-7830C-00	ROOF SUPPORT ASSY 3	1				
29	90179-08689	.NUT	2				
30	90179-06059	.NUT	3				
31	JB2-7817F-00	.COVER, REAR PILLER (L.H)	1				
32	JB2-7830D-00	ROOF SUPPORT ASSY 4	1				
33	90179-08689	.NUT	2				
34	90179-06059	.NUT	3				
35	JB2-7817G-00	.COVER, REAR PILLER (R.H)	1				
36	90201-08730	WASHER, PLATE	4				
37	95812-08055	BOLT, FLANGE	4				
38	90269-06003	RIVET	2				
39	JB2-7831N-00	REINFORCEMENT, ROOF SUPPORT 3	2				
40	90338-24204	PLUG	2				
41	JX4-78334-01	HOSE	2				

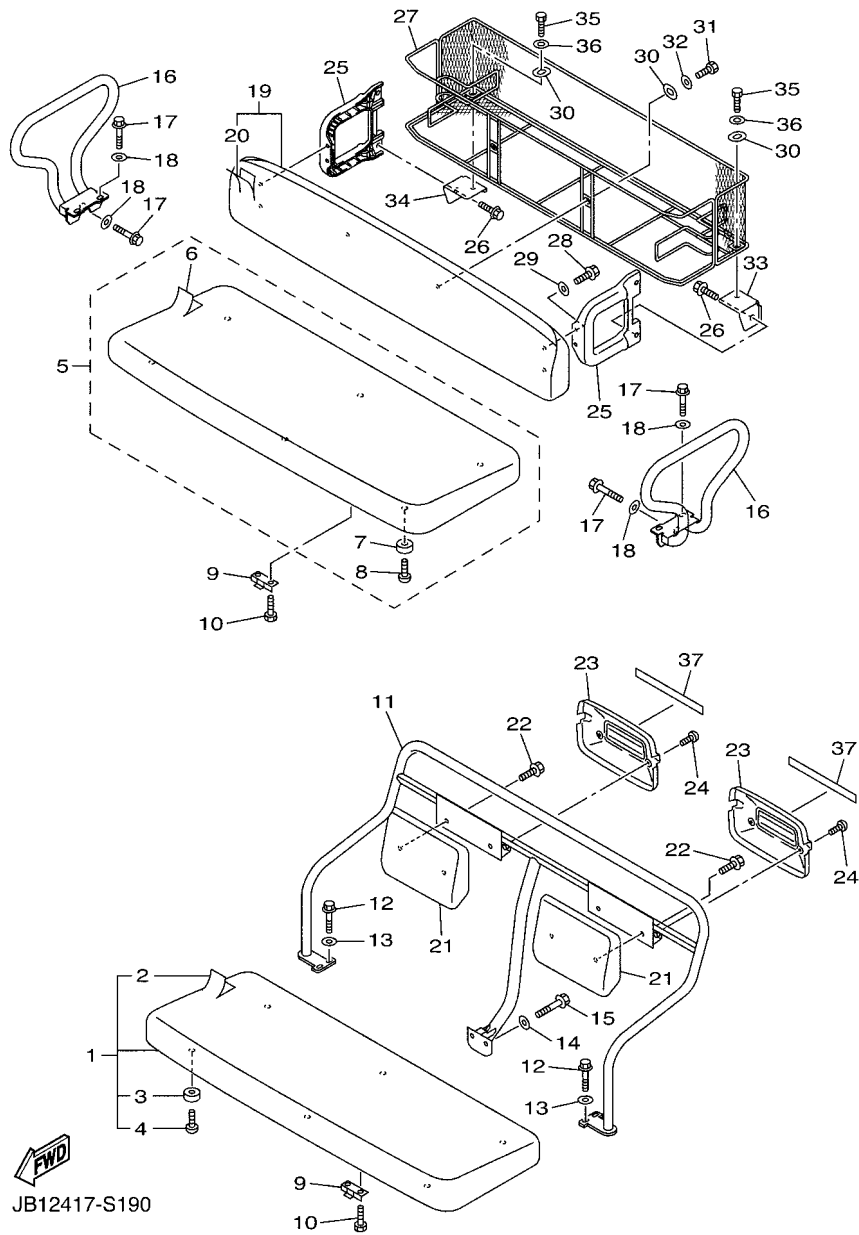
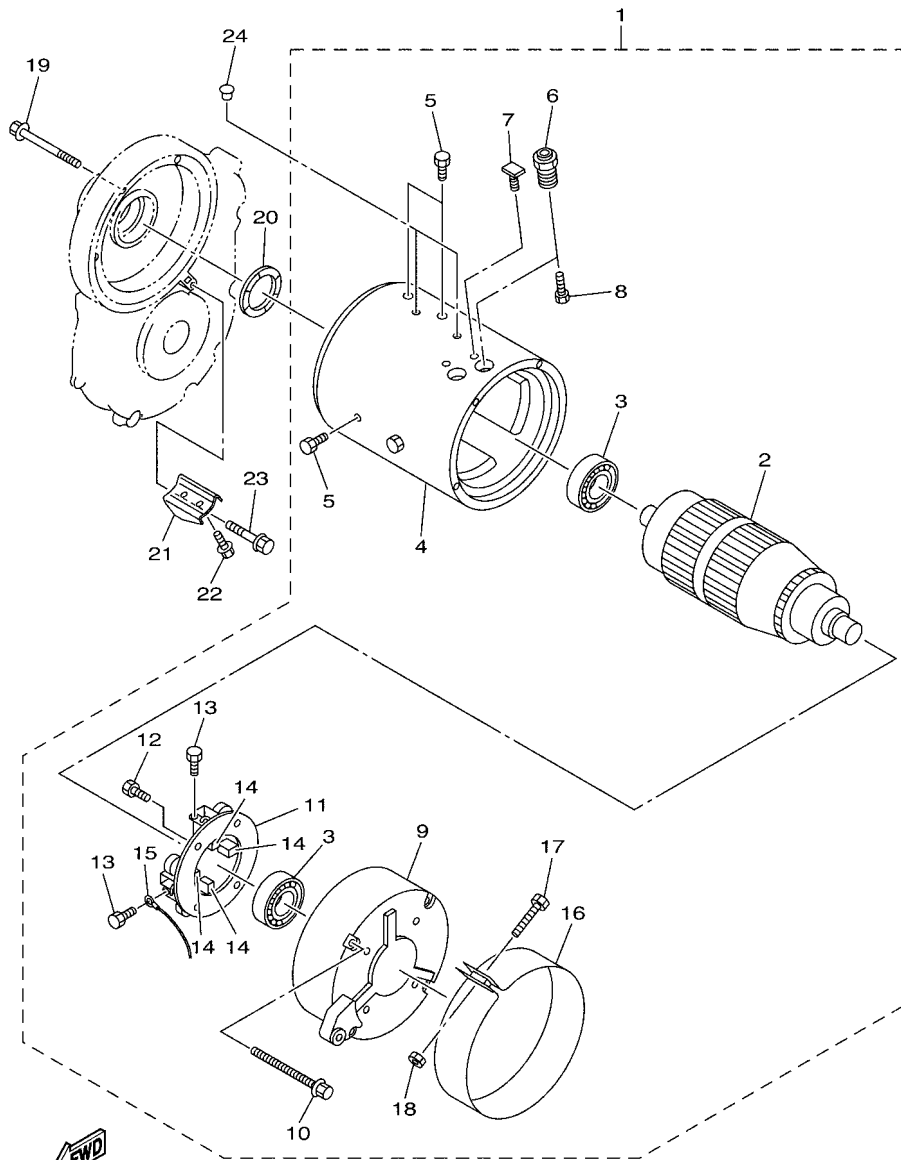


FIG. 19 SEAT

REF. NO.	PART NO.	DESCRIPTION	JB13			REMARKS
1	JB6-78410-61	SEAT ASSY	1			
2	JB6-78405-60	.COVER, SEAT	1			
3	JF7-78433-00	.DAMPER, SEAT SUPPORT	6			
4	97702-50016	.SCREW, TAPPING	6			
5	JB9-78420-10	SEAT ASSY 2	1			
6	JB6-78404-50	.COVER, SEAT	1			
7	JF7-78433-00	.DAMPER, SEAT SUPPORT	6			
8	97702-50016	.SCREW, TAPPING	6			
9	JR7-78426-00	HINGE, SEAT 1	4			
10	97022-06025	BOLT, HEXAGON	8			
11	JY6-78423-10	SUPPORT, SEAT BACK	1			
12	90105-08096	BOLT, FLANGE	4			
13	90201-08730	WASHER, PLATE	4			
14	92902-08200	WASHER	2			
15	90105-08198	BOLT, FLANGE	2			
16	JB2-78361-50	ARM REST 1	2			
17	90105-08096	BOLT, FLANGE	6			
18	90201-08730	WASHER, PLATE	6			
19	JX4-78407-20	REAR SEAT SUB-ASSY, BACK	1			
20	JX4-78418-20	.COVER, SEAT	1			
21	JX4-78402-20	SEAT SUB ASSY, BACK	2			
22	95802-06016	BOLT, FLANGE	4			
23	JB6-78413-00	COVER, SEAT BACK	2			
24	98980-06012	SCREW, BIND	4			
25	JY2-78484-00	SUPPORT, SEAT 1	2			
26	95880-08025	BOLT, FLANGE	4			
27	JY2-7810M-00	REAR STORAGE BOX COMP.	1			

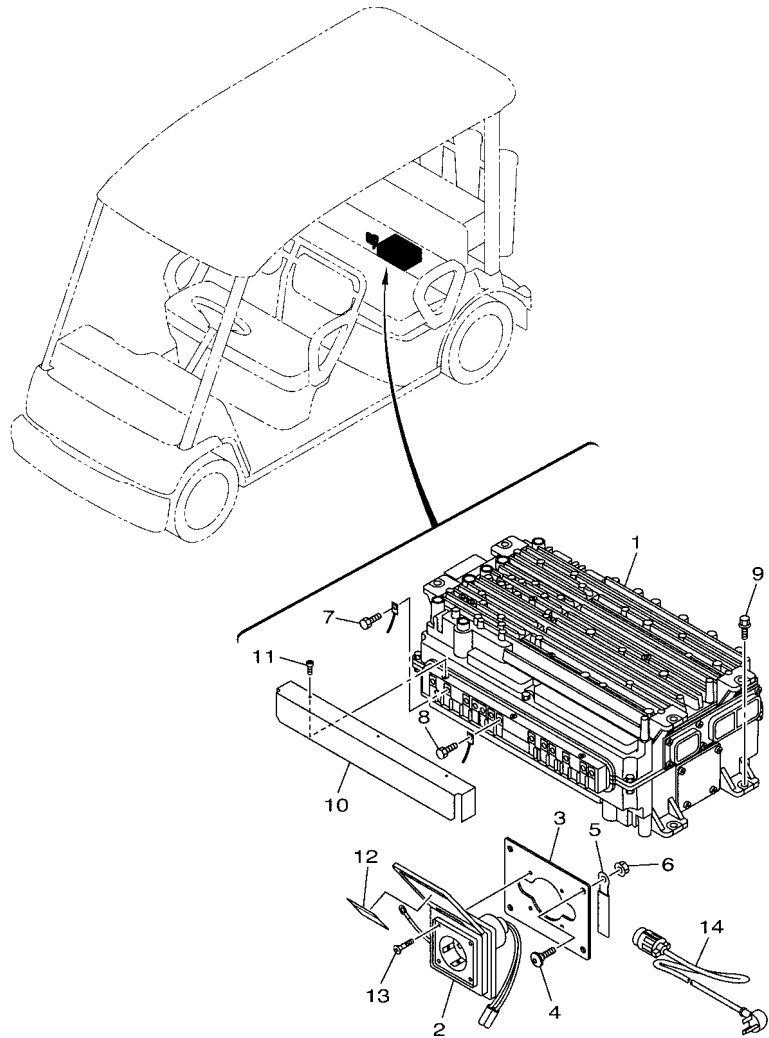




JX31010-D231

FIG. 20 ELECTRIC MOTOR

REF. NO.	PART NO.	DESCRIPTION	JBT3	REMARKS
1	JY8-81890-02	MOTOR ASSY	1	
2	JT2-81150-00	.ARMATURE ASSY	1	
3	JT2-81157-00	.BEARING 1	2	
4	JX3-81160-00	.FIELD COIL ASSY	1	
5	JT2-81152-00	.BOLT	8	
6	JT2-83325-00	.BOLT, STUD	4	
7	JT2-81135-00	.SCREW, STATOR	4	
8	JT2-81252-00	.BOLT	4	
9	JX3-81822-00	.BRACKET, STARTING MOTOR	1	
10	JT2-81352-00	.BOLT	4	
11	JT2-8184J-00	.HOLDER, BRUSH	1	
12	JT2-81452-00	.BOLT	4	
13	JT2-81652-00	.BOLT	4	
14	JT2-81811-00	.BRUSH 1	4	
15	JT2-81218-00	.TERMINAL	2	
16	JY8-81129-00	.COVER, BRUSH	1	
17	JT2-81552-00	.BOLT	1	
18	JT2-81353-00	.NUT	1	
19	95812-06050	BOLT, FLANGE	3	
20	90206-38001	WASHER, WAVE	1	
21	JX3-81823-00	STAY, STARTING MOTOR	1	
22	95822-08014	BOLT, FLANGE	2	
23	95812-08035	BOLT, FLANGE	1	
24	90338-08174	PLUG	2	



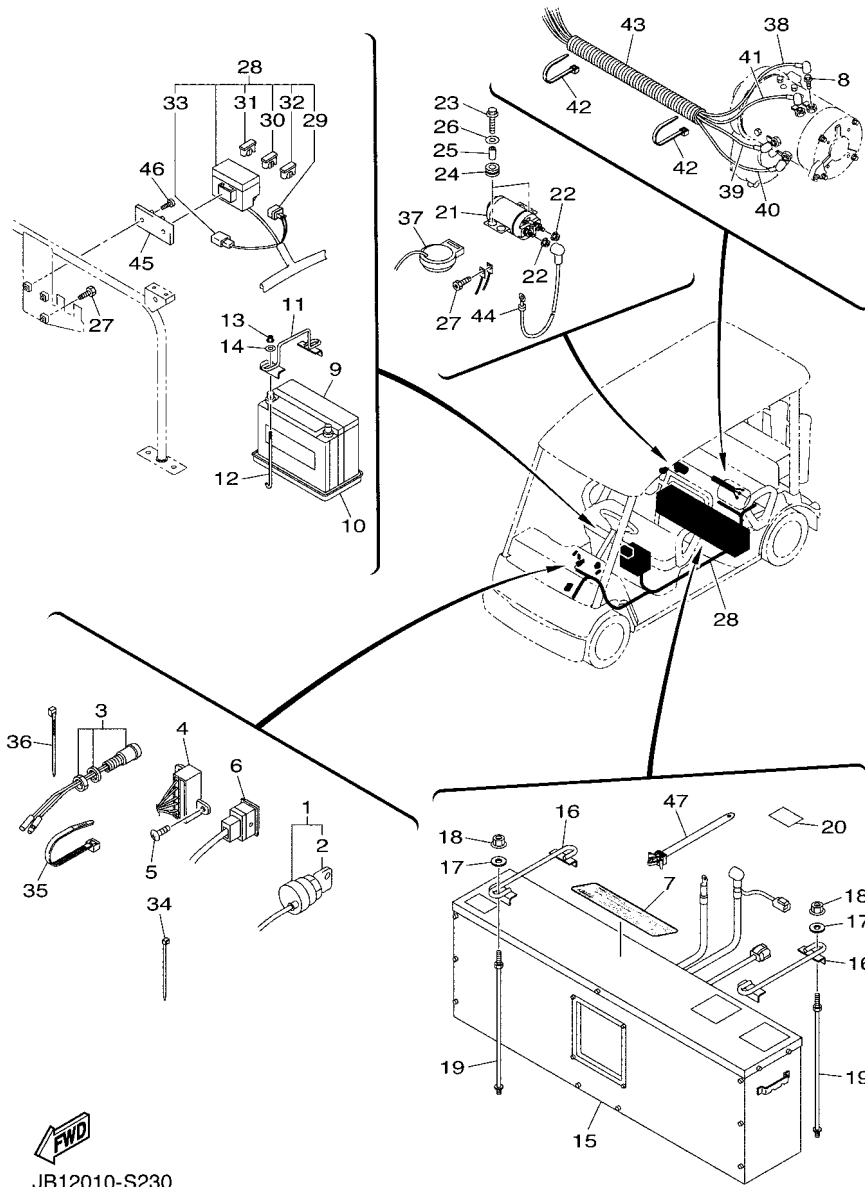
**FIG. 21 CONTROL UNIT**

REF. NO.	PART NO.	DESCRIPTION	JB13				REMARKS
1	JB1-8A210-00	CONTROL UNIT	1				
2	JY3-87214-00	RECEPTACLE COMP.	1				
3	JY3-86182-00	STAY, RECEPTACLE	1				
4	90150-06015	SCREW, ROUND HEAD	4				
5	90462-06007	CLAMP	1				
6	95602-06200	NUT, SELF-LOCKING	1				
7	95022-06012	BOLT, FLANGE	7				
8	97022-05012	BOLT, HEXAGON	6				
9	95822-06016	BOLT, FLANGE	4				
10	JY3-86514-00	COVER, CONTROL	1				
11	97707-30110	SCREW, TAPPING	2				
12	JT2-88109-20	LABEL, CAUTION	1				
13	98780-04025	SCREW, FLAT HEAD	4				
14	JB9-81962-00	CORD COMP.	1				



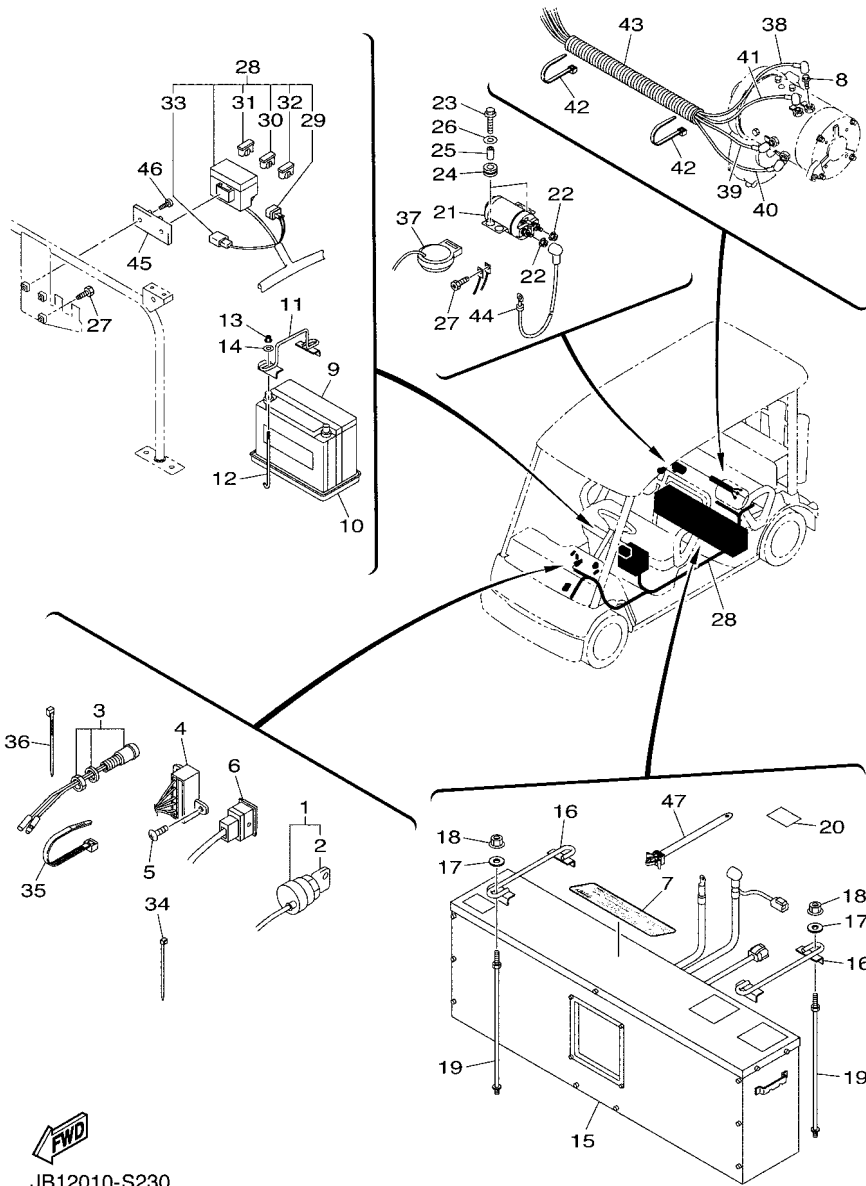
JB12417-S210

FIG. 22 ELECTRICAL 1



JB12010-S230

REF. NO.	PART NO.	DESCRIPTION	JB13	REMARKS
1	JX6-82510-00	MAIN SWITCH ASSY	1	
2	J44-82511-00	.KEY, MAIN SWITCH	1	
3	JB2-81977-10	BULB, PILOT LIGHT (RED)	1	
4	JX3-8350C-00	ENERGY GAUGE ASSY	1	
5	97702-50014	SCREW, TAPPING	2	
6	JB3-82617-K0	SWITCH	1	
7	JB8-77142-00	EMBLEM 2	1	
8	95802-08014	BOLT, FLANGE	4	
9	*	BATTERY ASSY (50B24L)	1	LM
10	JT2-82123-00	SEAT, BATTERY	1	
11	JY3-8213F-00	PLATE, BATTERY FITTING 3	1	
12	JH2-82133-00	SCREW, FITTING	2	
13	90185-06153	NUT, SELF-LOCKING	2	
14	90201-06072	WASHER, PLATE	2	
15	*	LITHIUM BATTERY (LG 74.6V/74AH)	1	LM
16	JB8-8213F-L0	PLATE, BATTERY FITTING 3	2	
17	90201-08050	WASHER, PLATE	4	
18	95702-08500	NUT, FLANGE	4	
19	JB8-82133-L0	SCREW, FITTING	4	
20	JX5-78297-11	PLATE, CAUTION 1	1	
21	JT2-81950-01	RELAY ASSY (YZ46C-1)	1	
22	95702-08500	NUT, FLANGE	2	
23	95802-06020	BOLT, FLANGE	2	
24	90480-16278	GROMMET	2	
25	90387-0600V	COLLAR	2	
26	90201-06085	WASHER, PLATE	2	
27	90153-06034	SCREW, HEXAGON	2	



JB12010-S230

FIG. 22 ELECTRICAL 1

REF. NO.	PART NO.	DESCRIPTION	JB13	REMARKS
28	JB1-82590-10	WIRE HARNESS ASSY	1	
29	JN2-81980-01	.DIODE ASSY	1	
30	5JJ-82151-10	.FUSE (15A-BL)	2	
31	5JJ-82151-20	.FUSE (20A-BL)	3	
32	5JJ-82151-40	.FUSE (4A-BL)	3	
33	4FM-82151-00	.FUSE (30A)	1	
34	90465-13152	CLAMP	4	
35	90465-13275	CLAMP	5	
36	90465-12356	CLAMP	1	
37	JN3-83383-10	BUZZER	1	
38	JY8-82211-00	WIRE, LEAD	1	A
39	JY8-82212-00	WIRE, HIGH VOLTAGE LEAD 2	1	B
40	JY8-82213-00	WIRE, HIGH VOLTAGE LEAD 3	1	C
41	JY8-82214-00	WIRE, HIGH VOLTAGE LEAD 4	1	D
42	90465-13152	CLAMP	2	
43	90447-25004	TUBE	1	
44	JY3-82221-00	WIRE, HIGH VOLTAGE PLUS LEAD 1	1	
45	JT1-83614-00	BRACKET	1	
46	98902-06014	SCREW, BIND	2	
47	90464-50001	CLAMP	2	

NUMERICAL INDEX

PART NO.	REF. NO.	PART NO.	REF. NO.	PART NO.	REF. NO.	PART NO.	REF. NO.	PART NO.	REF. NO.	PART NO.	REF. NO.
JB8-22110-00	1 - 1	JR7-23894-00	4 - 23	JX2-2588C-10	9 - 12	JB8-46311-00	11 - 1	JX4-78101-20	15 - 10	JB5-78299-00	18 - 10
JX4-22123-00	1 - 10	8AC-2414B-01	15 - 11	JY2-2588D-00	9 - 13	JB8-46312-00	11 - 9	JX4-78101-30	15 - 10	JY2-7829A-20	13 - 29
JX4-22124-00	1 - 3	JR7-2467K-00	4 - 21	JY2-2588D-00	9 - 14	JX3-46319-00	11 - 15	JX4-78101-60	15 - 10	JY3-78305-00	16 - 21
JB2-22172-00	1 - 2	JY2-25100-00	3 - 24	JB2-2588H-00	9 - 5	JB3-46321-00	11 - 18	JY2-7810M-00	19 - 27	JB2-7830A-00	13 - 25
JY3-22210-00	1 - 7		12 - 14	JB2-2588J-00	9 - 6	JB3-46351-00	11 - 19	JY2-78113-00	15 - 15	JB2-7830B-00	13 - 27
5GJ-22426-00	2 - 13	JX4-2510S-20	3 - 27	JB2-2588K-00	9 - 18	JB3-46361-00	11 - 20	JY2-78117-00	16 - 2	JB2-7830C-00	18 - 28
JB9-22501-09	2 - 1		12 - 17	3JD-25917-00	6 - 7	JB3-46362-00	11 - 21	JY2-78118-00	16 - 3	JB2-7830D-00	18 - 32
JY6-22504-00	2 - 4	JY2-25110-00	3 - 28		6 - 21	JB2-46411-00	11 - 25	JB6-7811V-00	15 - 28	JB3-7830E-00	18 - 16
JB8-22506-L9	2 - 2	JY8-2512A-01	3 - 36		7 - 7	JB2-46414-00	11 - 27	JB3-78130-00	16 - 9	JB3-7830F-10	18 - 18
JX4-2254R-01	16 - 16		12 - 21		7 - 21	JB2-46415-00	11 - 28	JB3-78130-10	16 - 9	JB3-7830F-00	18 - 20
JB2-22571-00	2 - 6	JY8-25180-00	3 - 25	JX2-25919-00	6 - 8	JB2-46417-00	11 - 29	JB3-78130-20	16 - 9	JB3-7830F-10	18 - 22
JY2-22572-00	2 - 7		12 - 15		6 - 22	JB3-46421-00	11 - 26	JB3-78130-30	16 - 9	JB3-78314-00	18 - 1
JX4-22597-00	2 - 9	JB2-25310-00	12 - 18		7 - 8	JY2-46511-00	12 - 9	JB3-78130-60	16 - 9	JX4-7831L-00	13 - 31
JY4-23350-00	3 - 18	JX2-2580T-02	6 - 3		7 - 22	JY2-46512-00	12 - 10	JB3-78139-00	15 - 25	JB2-7831N-00	18 - 39
JX4-23400-01	4 - 9		7 - 3	3JD-25926-00	6 - 12	JX2-46540-00	12 - 1	JY2-7832F-00	13 - 26	JY2-78328-20	15 - 8
JX4-23417-00	4 - 27	JX2-2580U-02	6 - 17		6 - 26	JX2-46550-00	12 - 5	JB2-7813G-00	13 - 28	JY3-78329-00	16 - 11
JX4-23427-00	4 - 30		7 - 17		7 - 12	JN3-47559-00	11 - 45	JY3-7813H-00	16 - 18	JX4-7832F-00	18 - 2
	4 - 36	JB2-25816-00	9 - 19		7 - 26	JB8-77142-00	16 - 28	JB3-78140-00	16 - 10	JX4-7832H-00	16 - 12
JX4-23445-00	4 - 26	JB2-2581J-00	9 - 4	1UY-25926-51	6 - 10		22 - 7	JB3-78140-10	16 - 10	JX4-78334-01	18 - 41
JX2-23510-00	3 - 21	1UY-25824-51	6 - 9		6 - 24	JX4-77157-00	15 - 14	JB3-78140-20	16 - 10	JX4-7833H-00	16 - 13
JX2-23520-00	3 - 22		6 - 23		7 - 10	JY3-77174-00	13 - 13	JB2-78140-30	16 - 10	JB2-7833K-10	18 - 13
2HR-23526-00	3 - 2		7 - 9		7 - 24	JX4-77188-00	15 - 13	JB3-78140-60	16 - 10	JN5-78357-10	4 - 37
	3 - 11		7 - 23	3TB-25933-00	6 - 15	JB2-77201-02	13 - 1	JB3-78141-00	16 - 4	JX4-78358-00	4 - 39
JB2-23540-00	3 - 1	1UY-25825-51	6 - 16		6 - 29	JB2-77202-02	13 - 15	JY2-78142-00	16 - 8	JX4-7835E-00	15 - 9
JX4-23549-01	3 - 3		6 - 30		7 - 15	JY2-77212-10	13 - 10	JX4-7814E-00	16 - 20	JB2-78361-50	19 - 16
JY8-23570-01	3 - 10		7 - 16		7 - 29	JB2-77213-00	13 - 2	JX4-7814H-00	15 - 7	JX7-7836H-00	18 - 14
JX4-23579-01	3 - 12		7 - 30	1UY-25937-51	6 - 6	JB2-77214-00	13 - 3	JY3-78150-10	16 - 17	JB2-78392-00	18 - 8
JY6-23810-00	4 - 1	JB2-25826-00	9 - 21		6 - 20	JX4-77217-00	13 - 6	JX4-78164-00	14 - 2	JB2-78393-00	18 - 11
JX4-23812-00	4 - 12	JX2-2582A-00	9 - 35		7 - 6	JY3-77223-00	13 - 8	JX4-78165-00	14 - 3	JX4-78402-20	19 - 21
JR9-23823-01	4 - 28	JX2-2582T-00	6 - 1		7 - 20	JB2-77233-01	13 - 14	JB2-7817F-00	18 - 31	JB6-78404-50	19 - 6
JR7-23833-00	4 - 24		7 - 1	1UY-25938-51	6 - 11	JB2-77261-00	13 - 4	JB2-7817G-00	18 - 35	JB6-78405-60	19 - 2
JX4-23837-00	4 - 20	JB2-2583T-00	9 - 16		6 - 25	JB2-77262-00	13 - 5	JB2-78180-00	14 - 8	JX4-78407-20	19 - 19
JN5-23838-00	4 - 3	JB2-25852-00	9 - 20		7 - 11	JY3-77263-01	13 - 12	JX2-78181-00	15 - 22	JB6-78410-61	19 - 1
JX4-23841-00	4 - 25	2GU-25866-00	9 - 15		7 - 25	JB2-77271-00	13 - 18	JB2-78187-00	17 - 1	JB6-78413-00	19 - 23
JR7-23844-00	4 - 18	JB2-25871-00	9 - 7	JX2-25961-00	6 - 13	JB2-77275-00	13 - 19	JX4-7818E-00	14 - 9	JX4-78418-20	19 - 20
JR7-23848-00	4 - 19	JB2-25872-00	9 - 1		6 - 27	JB2-77283-00	13 - 17	JX4-7818F-00	14 - 10	JB9-78420-10	19 - 5
JX4-2384N-00	4 - 11	JB2-25873-00	9 - 2		7 - 13	JB2-77510-00	14 - 1	JB2-78191-00	17 - 4	JY6-78423-10	19 - 11
J50-23857-00	4 - 2	JB2-25874-00	9 - 3		7 - 27	JX4-77520-00	14 - 6	JB2-78192-00	17 - 5	JR7-78426-00	19 - 9
JR7-23866-00	4 - 22	5KM-25875-00	9 - 37	JB2-26326-00	9 - 17	JF7-77563-00	14 - 12	JF7-78214-00	18 - 25	JX4-78427-00	16 - 14
JB6-2386N-01	4 - 8	JB2-25876-00	9 - 39	JB2-27200-00	5 - 1	JB2-77711-00	15 - 19	JB2-78231-00	16 - 24	JY2-78427-00	16 - 5
JX4-23876-00	4 - 29	JX2-2587A-00	9 - 43	JB2-27211-00	5 - 3	JB5-77741-00	15 - 20	JB2-78241-00	16 - 26	JX4-7842F-00	19 - 33
	4 - 35	JB2-25880-00	9 - 22	JB2-27218-00	9 - 23	JB9-77742-00	15 - 24	JB2-78243-00	15 - 2	JX4-7842G-00	19 - 34
JX4-2387A-01	4 - 10	JX2-25882-10	9 - 8	JB2-27222-00	9 - 24	JY6-77762-10	4 - 38	JB2-78244-00	15 - 3	JF7-78433-00	19 - 3
JX4-2387E-00	4 - 13	JX3-25883-10	9 - 9	JB2-27229-00	9 - 26	JT2-77766-22	16 - 30	JX4-78273-00	15 - 29		19 - 7
JR7-2387F-00	4 - 16	JX2-25885-11	9 - 34	JB2-27263-00	5 - 15	JY4-77768-10	13 - 16	J50-78274-10	18 - 26	JY3-78460-00	2 - 11
JR7-2387G-00	4 - 14	JX2-25887-00	9 - 42	JB2-27275-00	8 - 2	JB2-78100-30	15 - 1	JX4-78297-01	19 - 37	JY2-78478-00	19 - 30
JR7-2387J-00	4 - 17	JB2-2588A-00	9 - 10	JB2-27411-00	15 - 17	JX4-78101-00	15 - 10	JX5-78297-11	22 - 20	JY2-78484-00	19 - 25
JR7-2387K-00	4 - 15	JB2-2588B-00	9 - 11	JY2-27801-01	10 - 1	JX4-78101-10	15 - 10	JB2-78298-20	15 - 5	JY8-81129-00	20 - 16



NUMERICAL INDEX

PART NO.	REF. NO.	PART NO.	REF. NO.	PART NO.	REF. NO.	PART NO.	REF. NO.	PART NO.	REF. NO.	PART NO.	REF. NO.
JT2-81135-00	20 - 7	JY3-83688-00	11 - 44	90171-12001	4 - 33	90269-07064	16 - 25	91609-40040	11 - 32	95802-06016	19 - 22
JT2-81150-00	20 - 2	JN9-85885-00	10 - 2	90179-06020	13 - 22		16 - 27	91690-20020	13 - 9	95802-06020	22 - 23
JT2-81152-00	20 - 5	JB2-85930-09	8 - 1	90179-06020	18 - 17	90269-10005	15 - 6	91690-30012	13 - 11	95802-06025	9 - 41
JT2-81157-00	20 - 3	JY3-86182-00	21 - 3		18 - 19		15 - 16	92902-08100	9 - 25	95802-06030	16 - 6
JX3-81160-00	20 - 4	JB2-86281-00	11 - 33		18 - 21		15 - 18	92902-08200	19 - 14	95802-06040	16 - 15
JT2-81218-00	20 - 15	JX3-86290-00	11 - 37		18 - 23		15 - 23	93102-20143	11 - 12	95802-08014	22 - 8
JT2-81252-00	20 - 8	JY3-86514-00	21 - 10	90179-06059	18 - 30		16 - 19	93102-25017	11 - 5	95802-08035	5 - 6
JT2-81352-00	20 - 10	JY3-87214-00	21 - 2		18 - 34		16 - 22	93102-25360	11 - 6	95812-06010	8 - 3
JT2-81353-00	20 - 18	JT2-88109-20	21 - 12	90179-06636	18 - 9		17 - 7		11 - 13	95812-06050	20 - 19
JT2-81452-00	20 - 12	JB1-8A210-00	21 - 1		18 - 12	90338-08174	20 - 24	93102-35109	12 - 3	95812-08012	8 - 4
JT2-81552-00	20 - 17	JX2-W0045-11	6 - 14	90179-08491	11 - 47	90338-15004	16 - 29		12 - 7	95812-08020	2 - 10
JT2-81652-00	20 - 13		7 - 14	90179-08689	18 - 29	90338-24204	18 - 40	93210-132A8	5 - 11		4 - 7
5GM-81677-00	9 - 32	JX2-W0045-21	6 - 28		18 - 33	90340-14036	11 - 16	93305-00602	3 - 29	95812-08025	9 - 29
JT2-81811-00	20 - 14		7 - 28	90179-10031	3 - 32	90384-14080	5 - 2	93306-00803	11 - 4	95812-08035	20 - 23
JX3-81822-00	20 - 9	3GD-W0047-00	6 - 5		12 - 20	90387-046N7	4 - 43		11 - 11	95812-08055	13 - 30
JX3-81823-00	20 - 21		6 - 19	90179-20016	12 - 11	90387-0600V	22 - 25	93306-20401	11 - 3		18 - 37
JT2-8184J-00	20 - 11		7 - 5	90185-06153	22 - 13	90387-06553	13 - 20		11 - 10	95812-08075	11 - 46
JY8-81890-02	20 - 1		7 - 19	90185-10019	5 - 10	90387-10109	5 - 12	93306-20501	11 - 2	95812-10016	1 - 13
JT2-81950-01	22 - 21	3TB-W0057-00	6 - 4	90185-12009	1 - 5	90387-15019	18 - 6	93306-30578	12 - 2	95812-10030	12 - 13
JB9-81962-00	21 - 14		6 - 18	90201-044H9	4 - 41	90387-252M8	11 - 24		12 - 6	95812-10045	1 - 8
JB2-81977-10	22 - 3		7 - 4	90201-06020	13 - 21	90387-30006	3 - 23	93900-00022	3 - 26	95812-10090	5 - 9
JN2-81980-01	22 - 29		7 - 18		19 - 29	90401-10015	9 - 30		12 - 16	95812-12065	1 - 4
JT2-82123-00	22 - 10	90101-10038	12 - 12	90201-06049	19 - 32	90430-14043	11 - 17	95022-06012	9 - 36	95822-06012	14 - 4
JH2-82133-00	22 - 12	90105-05331	10 - 3		19 - 36	90447-25004	22 - 43		21 - 7	95822-06016	21 - 9
JB8-82133-L0	22 - 19	90105-06452	11 - 42	90201-06072	22 - 14	90462-05059	15 - 27	95022-08025	14 - 7	95822-06030	5 - 4
JY3-8213F-00	22 - 11	90105-08096	19 - 12	90201-06085	22 - 26	90462-06007	21 - 5	95602-06200	2 - 14	95822-08014	5 - 16
JB8-8213F-L0	22 - 16		19 - 17	90201-06115	18 - 4	90462-08007	11 - 35		21 - 6		20 - 22
4FM-82151-00	22 - 33	90105-08198	19 - 15	90201-06116	18 - 5	90464-04002	9 - 33	95602-10200	1 - 9	95822-08016	2 - 3
5JJ-82151-10	22 - 30	90105-10116	3 - 8	90201-08050	22 - 17	90464-16021	10 - 7		3 - 17	95822-08040	11 - 7
5JJ-82151-20	22 - 31	90105-10221	3 - 16	90201-08088	9 - 27	90464-50001	22 - 47		3 - 20	95822-08050	11 - 8
5JJ-82151-40	22 - 32	90105-10283	4 - 31	90201-08730	18 - 36	90465-12356	22 - 36	95602-12100	4 - 4	95822-10025	2 - 5
JY8-82211-00	22 - 38	90105-102A9	6 - 31		19 - 13	90465-13152	17 - 2	95602-12200	1 - 12	95822-10045	3 - 19
JY8-82212-00	22 - 39		7 - 31		19 - 18		22 - 34		11 - 39	95827-08065	14 - 5
JY8-82213-00	22 - 40	90105-10348	11 - 30	90201-10118	9 - 31		22 - 42	95604-16200	3 - 34	95880-06016	18 - 15
JY8-82214-00	22 - 41	90105-10728	3 - 5	90201-105A2	4 - 32	90465-13275	17 - 3	95607-10200	3 - 9	95880-06020	18 - 24
JY3-82221-00	22 - 44	90105-12031	1 - 11	90201-12190	4 - 5		22 - 35	95702-06500	5 - 5		19 - 28
JX2-8234W-01	11 - 40	90109-06212	16 - 1	90201-12195	11 - 38	90480-13398	15 - 12	95702-08500	4 - 6	95880-06025	13 - 24
JX6-82510-00	22 - 1	90109-06302	9 - 44	90201-121J0	1 - 6	90480-13567	15 - 21		5 - 7	95880-06030	18 - 3
J44-82511-00	22 - 2	90109-08221	6 - 2	90201-163M0	3 - 33	90480-16278	22 - 24		5 - 14	95880-08025	19 - 26
JY3-82519-00	11 - 36		7 - 2	90201-20032	11 - 22	90480-25004	18 - 7		5 - 17	97022-05012	21 - 8
JB2-82530-00	5 - 13	90110-06091	11 - 34	90201-20033	11 - 23	90502-10013	4 - 42		22 - 18	97022-06025	19 - 10
JB1-82590-10	22 - 28	90111-08027	14 - 11	90206-38001	20 - 20	90508-40015	5 - 8		22 - 22	97080-06016	19 - 35
JB3-82617-K0	22 - 6	90114-10019	3 - 31	90267-48101	2 - 8	91317-08045	11 - 43	95702-10500	3 - 6	97080-06020	19 - 31
JF7-82817-22	10 - 4		12 - 19		17 - 6	91402-25020	3 - 7	95802-06010	11 - 41	97507-05512	10 - 5
JT2-83325-00	20 - 6	90150-06015	21 - 4	90269-06003	18 - 38		3 - 15	95802-06012	2 - 12	97702-50014	15 - 26
JN3-83383-10	22 - 37	90153-06034	22 - 27	90269-07010	16 - 7		3 - 35		9 - 38		22 - 5
JX3-8350C-00	22 - 4	90157-06068	18 - 27		16 - 23		4 - 34		9 - 40	97702-50016	19 - 4
JT1-83614-00	22 - 45	90171-12001	3 - 14	90269-07064	15 - 4		9 - 28		10 - 6		19 - 8

NUMERICAL INDEX

PART NO.	REF. NO.	PART NO.	REF. NO.	PART NO.	REF. NO.	PART NO.	REF. NO.	PART NO.	REF. NO.	PART NO.	REF. NO.
97707-30110	21 - 11										
97707-40525	4 - 40										
98780-04025	21 - 13										
98780-06014	13 - 7										
98780-06035	13 - 23										
98902-06014	22 - 46										
98980-06012	19 - 24										
99009-30400	3 - 4										
99009-32400	3 - 13										
99009-55500	3 - 30										
99009-62500	12 - 4										
	12 - 8										
99530-12016	11 - 14										
99530-14016	11 - 31										