



PARTS CATALOGUE

DR2E21 PTV (J0E5) CANADA, EUROPE, OTHERS



1WJ0E-100E2

()

DR2E21 PTV
PARTS CATALOGUE
©2021 by Yamaha Motor Co., Ltd.
1st edition, February 2021
All rights reserved.
Any reprinting or unauthorized use
without the written permission of
Yamaha Motor Co., Ltd.
is expressly prohibited.
Printed in Japan.

FOREWORD

This Parts Catalogue is related to the parts for the model(s) on the cover page. When you are ordering replacement parts, please refer to this Parts Catalogue and quote both part numbers and part names correctly.

1. Modifications or additions which have been made after the issue of the Parts Catalogue will be announced in the Parts News.
It is advisable that you make the necessary corrections to the Parts Catalogue according to the Parts News.

2. Abbreviations

The following abbreviations are used in this Parts Catalogue.

“UR” Use specified parts number.

“UN” Use as many as needed.

“AP” Alternate Parts

“LM” Locally Made (Parts need to be ordered locally)

“F#” Frame No. (Applicable machine No.)

“O/S” Over Size

3. The number of components for assembly

- Parts, which are to be supplied in an assembly, are listed with a dot (.) in front of the part name as shown below.
- The numeral appearing to the right of each component part indicates the quantity of parts for each assembly unit.

PART NO.	DESCRIPTION	Q'TY	REMARKS
2F5-83310-60	FRONT FLASHER LIGHT ASSY	2	
115-83311-60	.BULB (6V-18W)	1	

4. Applicable colours of graphics are represented in the “REMARKS” as shown below.

PART NO.	DESCRIPTION	Q'TY	REMARKS
2N4-24110-00-X5	FUEL TANK COMP.	2	MXR
3J1-24240-10	.GRAPHIC, FUEL TANK	1	FOR MXR

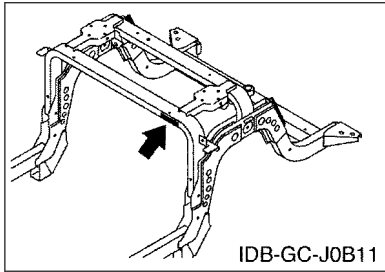
5. Note that the illustrations for reference in finding parts numbers are not to be used for assembling. When assembling, please use the applicable service manual.

6. The asterisk (*) before a reference number indicates modified items after the first edition.

FOREWORD

7. Applicable Serial No.

Frame Serial No.



8. Applicable Colour Code (The (*) mark shows Model colour.)

Abbreviation	Colour Name	Colour Code
BMG(*)	BLACK METALLIC G	1050
BW1(*)	BLUISH WHITE 1	1571
DNBME(*)	DARK GRAYISH BLUE METALLIC E	0866
DRMV(*)	DEEP RED METALLIC V	1365
LNMP(*)	LIGHT GRAY METALLIC P	0925
MDNM7(*)	MAT DARK GRAY METALLIC 7	1606
MDOM1(*)	MAT DEEP ORANGE METALLIC 1	1778
MNYM2(*)	MAT GRAYISH YELLOW METALLIC 2	1749
VPBM6(*)	VIVID PURPLISH BLUE METALLIC 6	1002

9. Quantity Column Information

Column No.	Name Of Q'ty Column	Destination
1	J0E5	CANADA, EUROPE, OTHERS

10. Applicable Starting Serial No.

Frame Serial No.

Serial No.	Name Of Q'ty Column	Model Code
J0E-400101	J0E5	J0E5

CONTENTS

BODY

REAR ARM & SUSPENSION.....	1
FRAME.....	4
FRONT SUSPENSION & WHEEL.....	5
STEERING.....	7
PEDAL WIRE.....	9
PEDAL ASSEMBLY.....	10
BRAKE.....	13

DRIVE

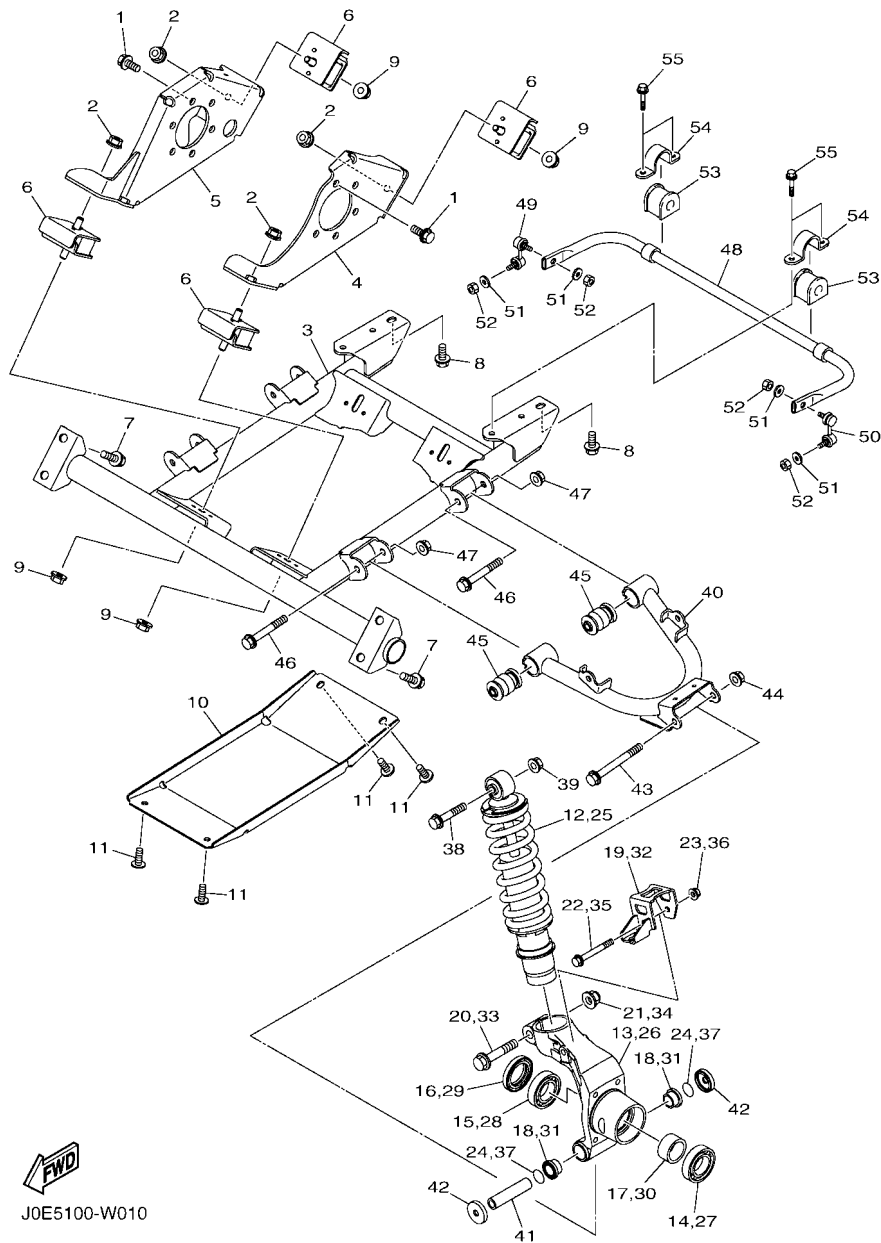
TRANSAXLE.....	14
REAR AXLE & WHEEL.....	15
BUMPER.....	16
BODY.....	17
BODY 2.....	19
BODY FITTING.....	21
CARRIER.....	22
REAR VIEW MIRROR.....	23
SEAT.....	24

ELECTRICAL

ELECTRIC MOTOR.....	25
HEAD & TAIL LIGHT.....	26
CONTROLLER 1.....	28
ELECTRICAL 1.....	29
BATTERY CHARGER.....	32
ALTERNATE FOR CHASSIS.....	33
ALTERNATE FOR WINDSHIELD.....	35
ALTERNATE FOR SUN ROOF.....	37
ALTERNATE FOR SEAT.....	38
ALTERNATE FOR ELECTRICAL.....	39

INDEX

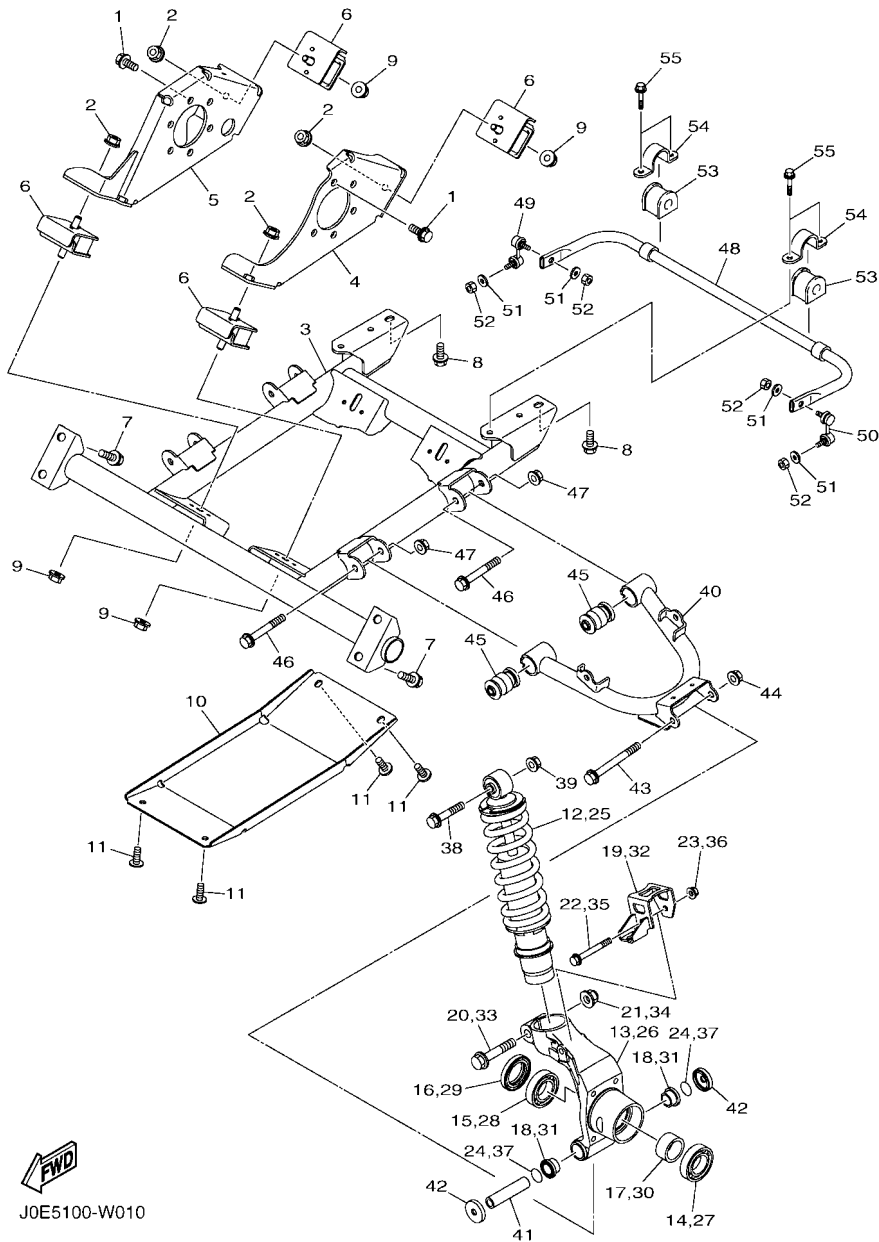
NUMERICAL INDEX.....	40
----------------------	----



J0E5100-W010

FIG. 1 REAR ARM & SUSPENSION

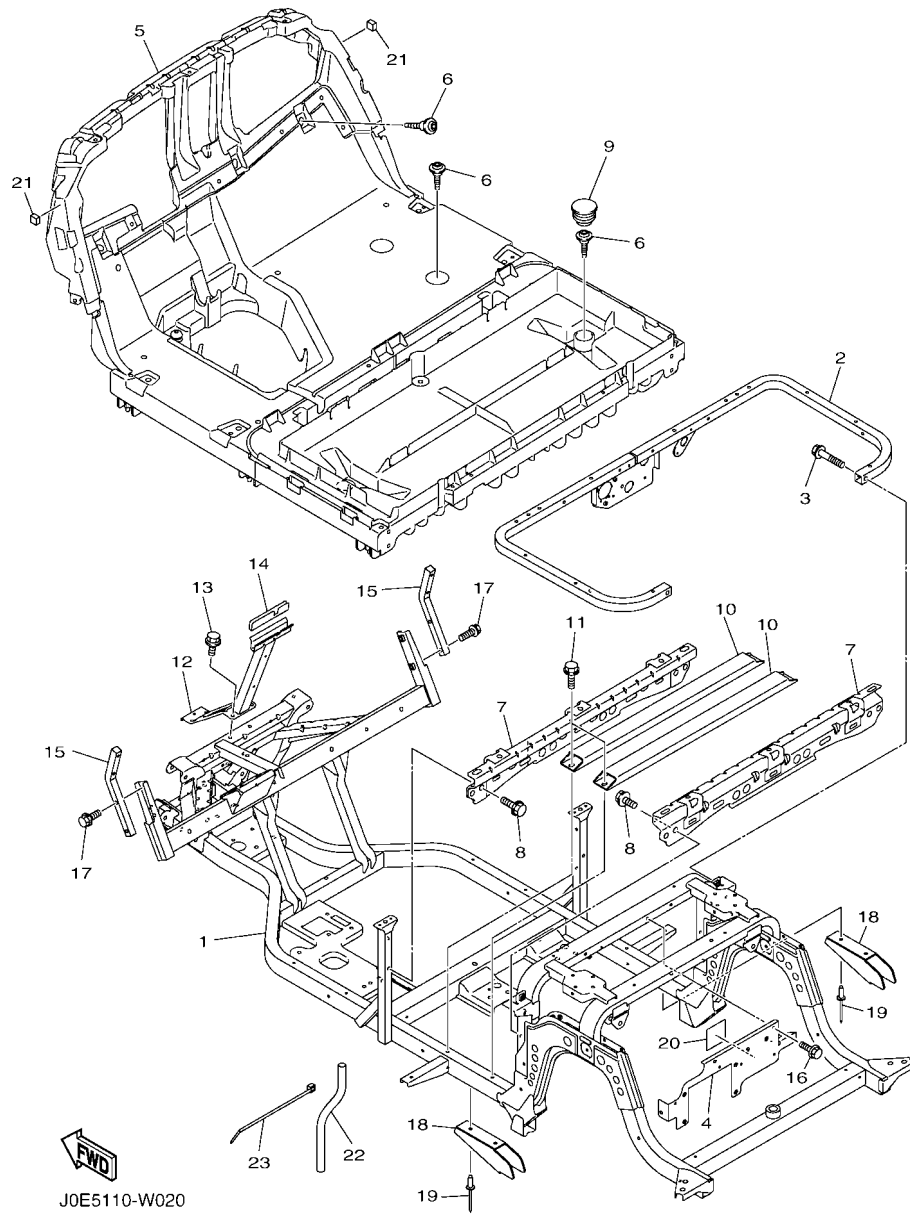
REF. NO.	PART NO.	DESCRIPTION	JOES				REMARKS
1	95812-10020	BOLT, FLANGE	6				
2	95602-10200	NUT, S/L FLANGE	4				
3	J0S-F2110-10	REAR ARM COMP.	1				
4	J0S-F141K-10	BRACKET, OUTER 1	1				
5	J0S-F141L-10	BRACKET, OUTER 2	1				
6	J0S-F1485-00	DAMPER, RUBBER 1	4				
7	95822-10020	BOLT, FLANGE	4				
8	J0B-F1531-00	BOLT	2				
9	95602-10200	NUT, S/L FLANGE	4				
10	J0S-F139W-10	COVER	1				
11	J0B-K8388-00	BOLT, ROOF 1	4				
12	J0E-F2210-10	SHOCK ABSORBER ASSY, REAR	1				
13	J0B-F53A1-01	KNUCKLE, REAR	1				
14	93306-006X0	BEARING	1				
15	93306-006Y4	BEARING	1				
16	93106-38046	OIL SEAL	1				
17	J0B-F3113-00	COLLAR	1				
18	90381-17803	BUSH, SOLID	2				
19	J0B-F537W-00	BRACKET 1	1				
20	95812-12055	BOLT, FLANGE	1				
21	90185-12811	NUT, SELF-LOCKING	1				
22	95812-08060	BOLT, FLANGE	1				
23	95702-08500	NUT, FLANGE	1				
24	93210-19001	O-RING	2				
25	J0E-F2210-10	SHOCK ABSORBER ASSY, REAR	1				
26	J0B-F53A1-01	KNUCKLE, REAR	1				
27	93306-006X0	BEARING	1				



J0E5100-W010

FIG. 1 REAR ARM & SUSPENSION

REF. NO.	PART NO.	DESCRIPTION	JOES				REMARKS
28	93306-006Y4	BEARING	1				
29	93106-38046	OIL SEAL	1				
30	J0B-F3113-00	COLLAR	1				
31	90381-17803	BUSH, SOLID	2				
32	J0B-F537W-00	BRACKET 1	1				
33	95812-12055	BOLT, FLANGE	1				
34	90185-12811	NUT, SELF-LOCKING	1				
35	95812-08060	BOLT, FLANGE	1				
36	95702-08500	NUT, FLANGE	1				
37	93210-19001	O-RING	2				
38	95812-10055	BOLT, FLANGE	2				
39	95602-10200	NUT, S/L FLANGE	2				
40	J0S-F2171-00	ARM, REAR 1	2				
41	5KM-23448-00	SPACER	2				
42	5UG-23517-10	COVER, THRUST 1	4				
43	90105-10185	BOLT, FLANGE	2				
44	90185-10012	NUT, SELF-LOCKING	2				
45	2HR-23526-00	BUSH	4				
46	90105-10267	BOLT, FLANGE	4				
47	95602-10200	NUT, S/L FLANGE	4				
48	J0E-G7491-00	BAR, STABILIZER	1				
49	16B-2385L-10	JOINT, STABILIZER 1	1				
50	16B-2385M-10	JOINT, STABILIZER 2	1				
51	90201-10035	WASHER, PLATE	4				
52	90185-10012	NUT, SELF-LOCKING	4				
53	2HC-F3583-00	BUSH	2				
54	2HC-F386B-00	BRKT., STABILIZER FR.	2				

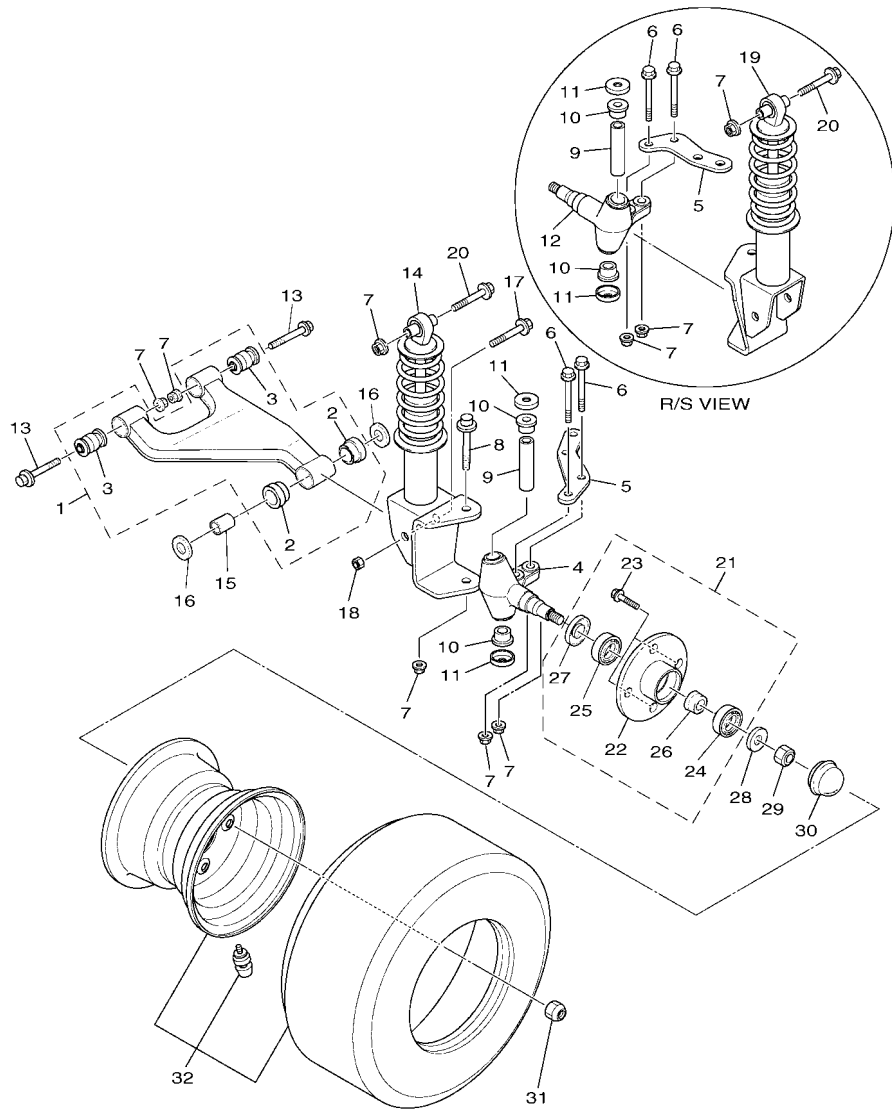


J0E5110-W020

FIG. 2 FRAME

REF. NO.	PART NO.	DESCRIPTION	JOES				REMARKS
1	J0B-F2501-30	FRAME COMP.	1				
2	J0B-F255G-00	MEMBER, SEAT SUPPORT	1				
3	95812-08040	BOLT, FLANGE	2				
4	JC1-F252M-11	BRACKET, 3	1				
5	J0E-F7411-01	FOOTREST 1	1				
6	J0B-F1738-00	BOLT	9				
7	JW9-F2535-00	STAY, BATTERY 1	2				
8	JW1-F1738-00	BOLT	4				
9	JW9-F2417-00	PLUG	2				
10	JW9-F2198-11	MEMBER, CROSS	2				
11	JW1-F1738-00	BOLT	4				
12	J0B-F258E-10	SUPPORT, FRONT COWL	1				
13	90105-08867	BOLT, FLANGE	2				
14	J0B-F2127-00	SHIM	1				
15	J1B-K816M-00	SUPPORT, HOLDER	2				
16	90105-06831	BOLT, FLANGE	2				
17	90105-088B6	BOLT, FLANGE	4				
18	J0S-F2537-03	BRACKET	2				
19	90267-64844	RIVET, BLIND	4				
20	JW2-K8298-10	PLATE, CAUTION 2 (E,F)	1				UR ENGLISH/FRENCH
	JW2-K8298-50	PLATE, CAUTION 2 (P,S)	1				UR PORTUGUESE/SPANISH
21	J0B-K821A-00	PAD, BODY MOUNTING1	2				
22	J0B-F125J-00	PIPE, DRAIN	2				
23	90464-76800	CLAMP	2				

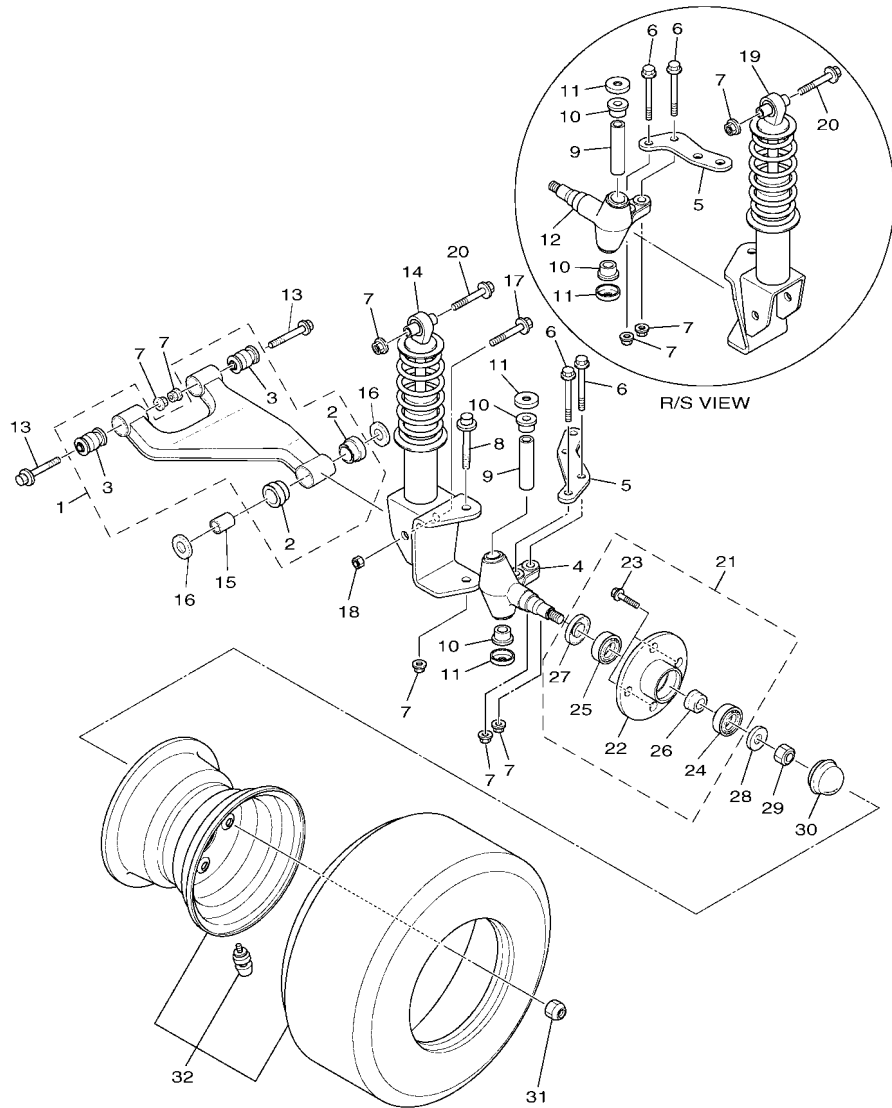
FIG. 3 FRONT SUSPENSION & WHEEL



J0E5110-W030

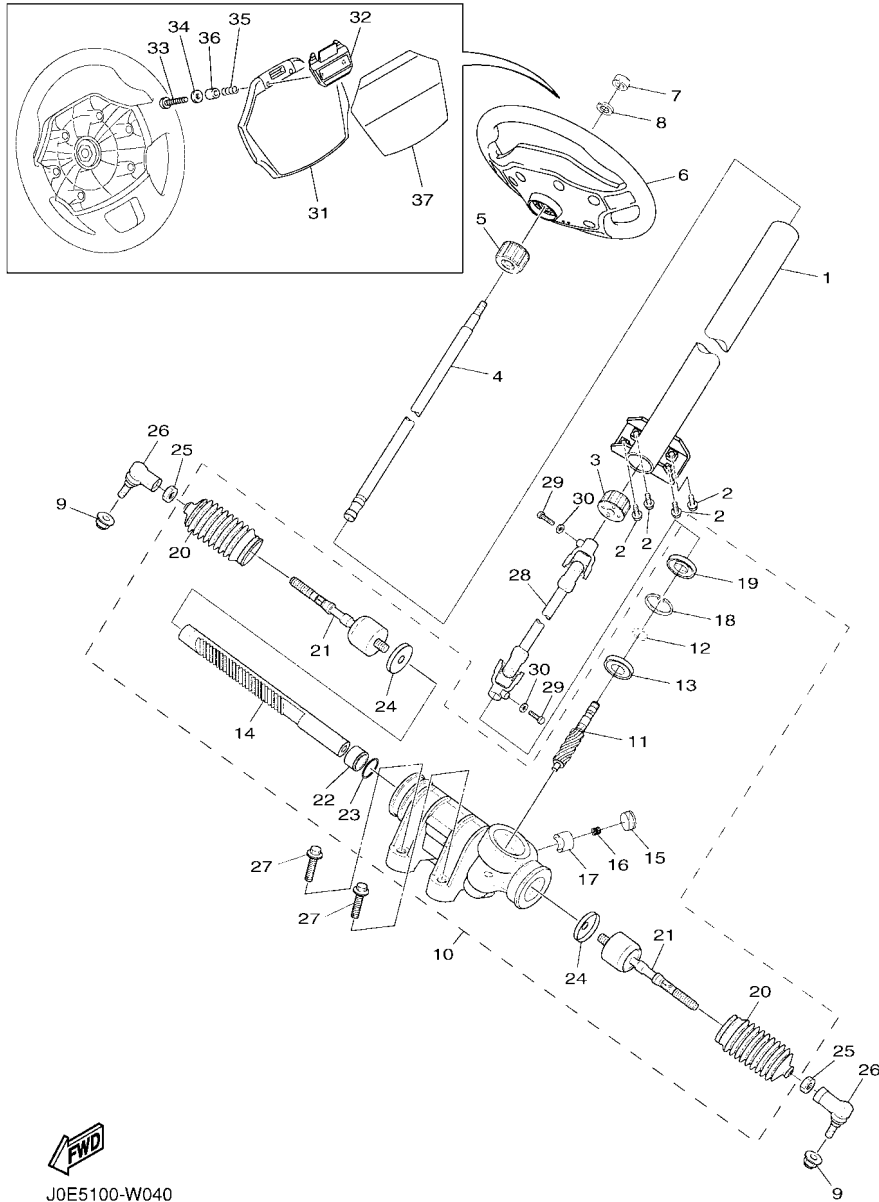
REF. NO.	PART NO.	DESCRIPTION	QTY	REMARKS
1	J0B-F3570-10	FRONT LOWER ARM COMP. (LEFT)	2	
2	90381-18801	.BUSH, SOLID	2	
3	2HR-23526-00	.BUSH	2	
4	JU0-F3511-20	KNUCKLE, STEERING 1	1	
5	JW1-F3512-00	ARM, KNUCKLE 1	2	
6	90105-10373	BOLT, FLANGE	4	
7	95602-10200	NUT, S/L FLANGE	12	
8	90105-10219	BOLT, FLANGE	2	
9	2NL-23448-00	SPACER	2	
10	90381-17800	BUSH, SOLID	4	
11	2NL-23517-00	COVER, THRUST 1	4	
12	JU0-F3521-20	KNUCKLE, STEERING 2	1	
13	90105-10267	BOLT, FLANGE	4	
14	J0E-F3350-00	SHOCK ABSORBER ASSY	1	
15	90387-12016	COLLAR	2	
16	401-22128-01	COVER, THRUST 1	4	
17	95812-12080	BOLT, FLANGE	2	
18	90185-12810	NUT, SELF-LOCKING	2	
19	J0E-F3390-00	SHOCK ABSORBER ASSY 2	1	
20	90105-10267	BOLT, FLANGE	2	
21	JC1-F5103-10	HUB BEARING UNIT ASSY	2	
22	JC1-F5110-01	.HUB ASSY, FRONT	1	
23	90114-12805	.BOLT, SERRATION	4	
24	93306-254Y8	.BEARING	1	
25	93306-005X3	.BEARING	1	
26	90387-241M7	.COLLAR	1	
27	93102-30083	.OIL SEAL	1	

FIG. 3 FRONT SUSPENSION & WHEEL



J0E5110-W030

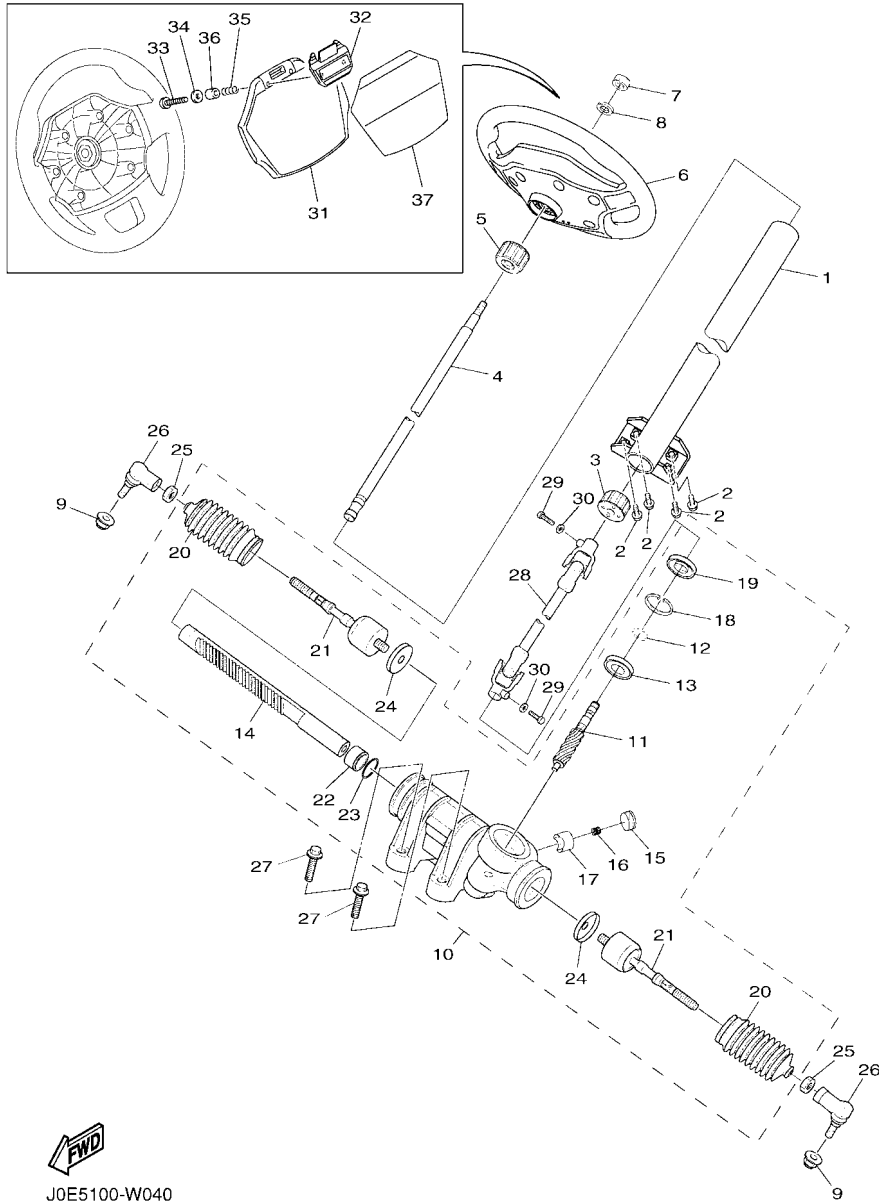
REF. NO.	PART NO.	DESCRIPTION	QTY	REMARKS
28	90208-14801	WASHER, CONICAL SPRING	2	
29	95602-14100	NUT, U	2	
30	JN6-F5118-01	COVER, HUB DUST	2	
31	90179-12262	NUT	8	
32	JC1-F5100-01	WHEEL ASSY (205/65-10 4P)	2	



J0E5100-W040

FIG. 4 STEERING

REF. NO.	PART NO.	DESCRIPTION	JOES				REMARKS
1	J0G-F3811-00	COLUMN, STEERING	1				
2	95812-08020	BOLT, FLANGE	4				
3	JU0-F3857-20	HOLDER	1				
4	JU0-F3828-10	ROD, STEERING	1				
5	JU0-F3857-20	HOLDER	1				
6	J0B-F3838-00	WHEEL, STEERING	1				
7	90185-12008	NUT, SELF-LOCKING	1				
8	92902-12200	WASHER	1				
9	90185-12811	NUT, SELF-LOCKING	2				
10	JW1-F3400-01	STEERING ASSY	1				
11	JW1-F387A-00	.GEAR, PINION	1				
12	JW1-F3183-00	.CIRCLIP	1				
13	JW1-F3812-00	.BEARING, STEERING	1				
14	JW1-F387E-00	.GEAR, RACK	1				
15	5UG-F387G-00	.COVER, ADJUST	1				
16	5UG-F387K-00	.SPRING, PRESSURE	1				
17	5UG-F387F-00	.PAD, PRESSURE	1				
18	5UG-F387J-00	.RING, STOPPER	1				
19	5UG-F3844-00	.SEAL	1				
20	5UG-F3527-01	.SEAL, DUST 1	2				
21	JW1-F3837-00	.ROD, TIE 2	2				
22	JW1-F467K-00	.BUSH, CAP	1				
23	JW1-F3866-00	.CIRCLIP	1				
24	JW1-F3894-00	.WASHER, LOCK 1	2				
25	1P0-F3833-00	NUT 1	2				
26	JW8-23841-01	JOINT, UNIVERSAL 1	2				
27	90105-10847	BOLT, FLANGE	4				

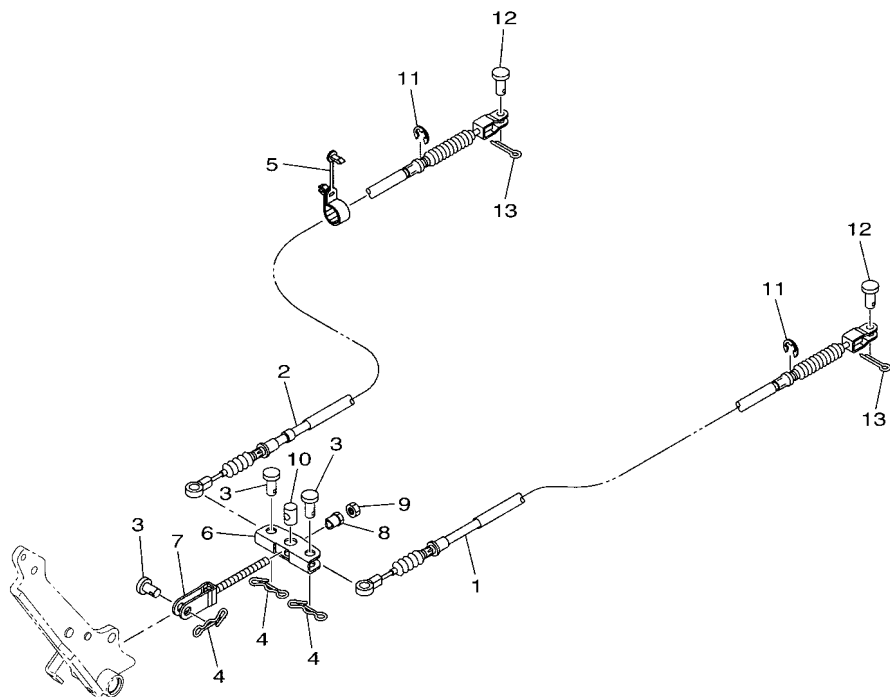


J0E5100-W040

FIG. 4 STEERING

REF. NO.	PART NO.	DESCRIPTION	J0E5				REMARKS
28	JW1-F3822-01	JOINT 1	1				
29	97012-08030	BOLT	2				
30	92902-08600	WASHER, PLATE	2				
31	J0D-K8357-00	HOLDER 1	1				
32	J0B-K8358-00	HOLDER 2	1				
33	J0B-K7387-00	SCREW	2				
34	90201-04810	WASHER, PLATE	2				
35	J0B-K7363-00	SPRING	2				
36	J0B-K7115-00	COLLAR	2				
37	J0D-K7762-30	LABEL, WARNING 2	1				UR ENGLISH/FRENCH
	J0D-K7762-20	LABEL, WARNING 2	1				UR GERMAN/SPANISH
	J0D-K7762-40	LABEL, WARNING 2	1				UR PORTUGUESE/SPANISH

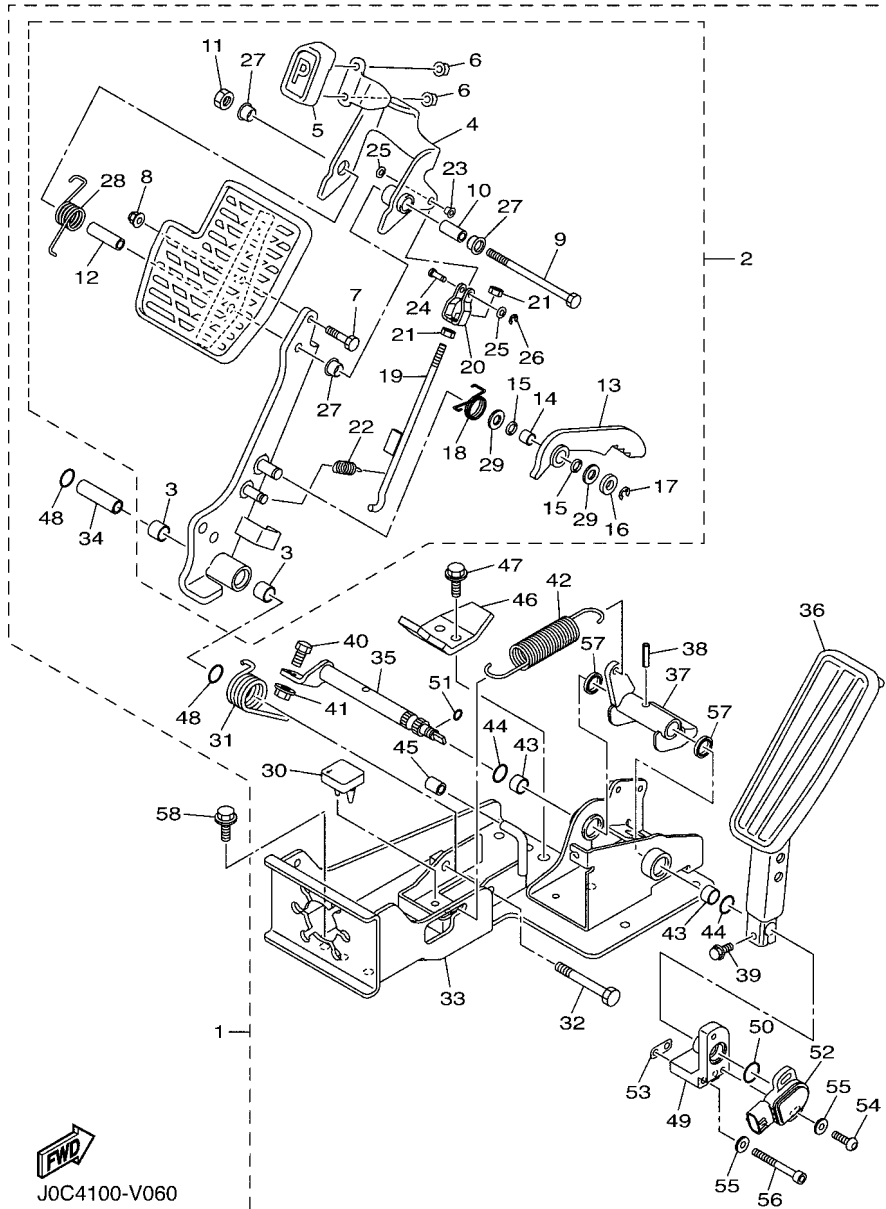
FIG. 5 PEDAL WIRE



REF. NO.	PART NO.	DESCRIPTION	QTY	REMARKS
1	J0B-F6341-00	WIRE, BRAKE 1	1	
2	J0B-F6351-00	CABLE, BRAKE	1	
3	91702-10026	PIN, CLEVIS	3	
4	90468-20196	CLIP	3	
5	JW7-F312H-00	CLAMP	5	
6	JW8-F5681-10	EQUALIZER, BRAKE	1	
7	JN6-F5685-01	ROD	1	
8	90179-08822	NUT	1	
9	95307-08700	NUT	1	
10	90249-14129	PIN	1	
11	99001-09600	CIRCLIP	2	
12	91702-08018	PIN, CLEVIS	2	
13	91490-25015	PIN. COTTER	2	



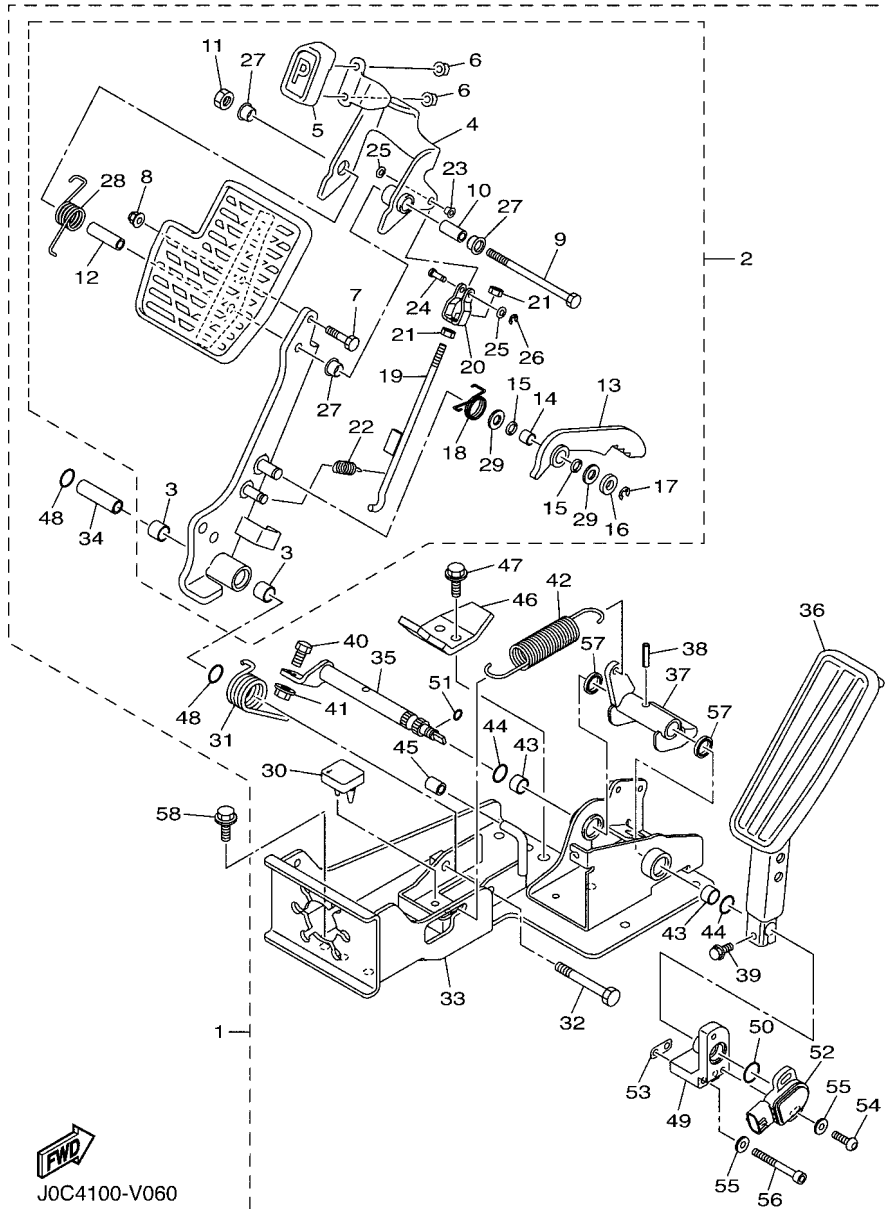
J0B1110-S150



J0C4100-V060

FIG. 6 PEDAL ASSEMBLY

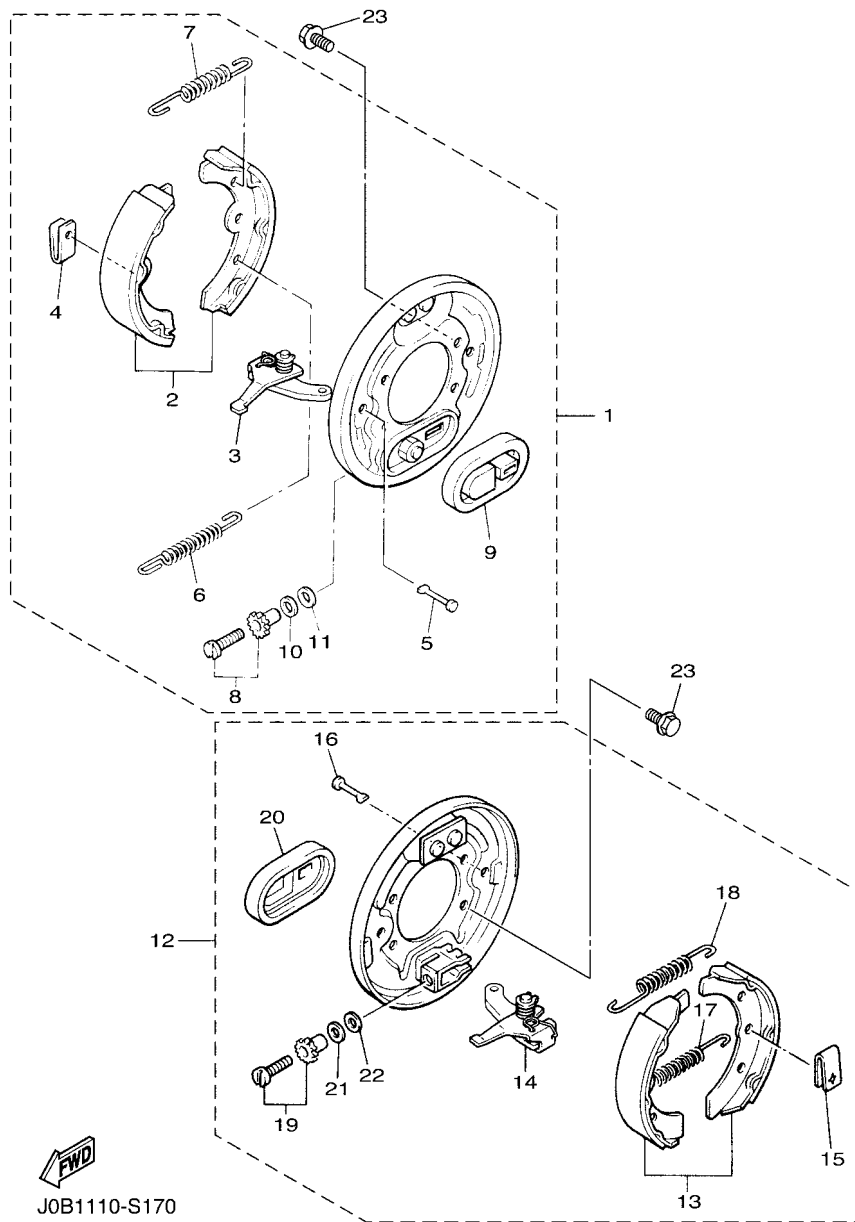
REF. NO.	PART NO.	DESCRIPTION	JOES				REMARKS
1	J0H-F7850-20	PEDAL ASSY (L.H)	1				
2	J0G-F7200-02	.PEDAL, BRAKE	1				
3	JW8-F7814-21	.BUSH, PEDAL	2				
4	J0G-F5671-00	..PEDAL, PARKING BRAKE	1				
5	J0G-F7854-00	..COVER, PEDAL	1				
6	95607-06200	..NUT, SELF U-FLANGE	2				
7	97012-06020	..BOLT	1				
8	JW8-F8363-00	..NUT	1				
9	J0G-F7416-00	..BOLT, FOOTREST	1				
10	JW8-F639N-00	..COLLAR	1				
11	J0G-F7218-00	..NUT	1				
12	J0G-F7313-00	..COLLAR	1				
13	JW9-F5666-00	..SECTOR, PARKING BRAKE	1				
14	JW8-F7121-00	..BUSH	1				
15	JW9-F7221-00	..SEAL, SHAFT	2				
16	JW8-F7322-00	..WASHER	1				
17	JW8-F3183-00	..CIRCLIP	1				
18	JW8-F7426-01	..SPRING, RETURN	1				
19	JW9-F7231-10	..ROD, BRAKE	1				
20	JW9-F7232-00	..END, ROD 2	1				
21	JW8-F7318-00	..NUT	2				
22	JW8-F6314-00	..SPRING	1				
23	J0G-F7814-00	..BUSH, PEDAL	1				
24	JW9-F7228-00	..PIN, JOINT	1				
25	JW8-F8323-00	..WASHER, LEG SHIELD	2				
26	JW8-F5415-00	..CIRCLIP	1				
27	90386-12800	..BUSH	3				



J0C4100-V060

FIG. 6 PEDAL ASSEMBLY

REF. NO.	PART NO.	DESCRIPTION	JOES				REMARKS
28	J0G-F7825-00	.SPRING, RETURN	1				
29	JW8-F7119-00	.WASHER	2				
30	JW9-F7245-10	.PAD, BRAKE PEDAL	1				
31	JW8-F7316-01	.SPRING, SIDE STAND	1				
32	JW8-F7217-00	.BOLT	1				
33	J0H-F7445-10	.PLATE 1	1				
34	JW8-F7213-20	.COLLAR	1				
35	J0H-F7853-10	.SHAFT, PEDAL 1	1				
36	J0G-F7871-01	.PEDAL, ACCELERATOR	1				
37	J0H-F7872-00	.ARM, ACCELERATOR PEDAL	1				
38	JW8-F7438-00	.PIN, CLEVIS	1				
39	JW8-F7434-00	.BOLT	1				
40	JW8-F7317-00	.BOLT	1				
41	JW8-F7118-00	.NUT	1				
42	J0G-F815H-10	.SPRING	1				
43	J0G-F5922-00	.WASHER	2				
44	JW8-F4486-00	.O-RING	2				
45	JW9-F5673-00	.DAMPER, BRAKE	1				
46	JW9-F7246-20	.NAIL, BRAKE	1				
47	JW8-F8331-00	.BOLT, LEG SHIELD	2				
48	JW8-F4486-00	.O-RING	2				
49	JW9-F7263-00	.BRACKET 1	1				
50	JW9-F4648-20	.O-RING	1				
51	JW8-F41B8-00	.O-RING	1				
52	JW9-H5885-00	.THROTTLE SENSOR ASSY	1				
53	JW9-F5827-00	.SHIM, CALIPER	1				T: 0.5 MM
	JW9-F5827-10	.SHIM, CALIPER	1				T: 0.9 MM

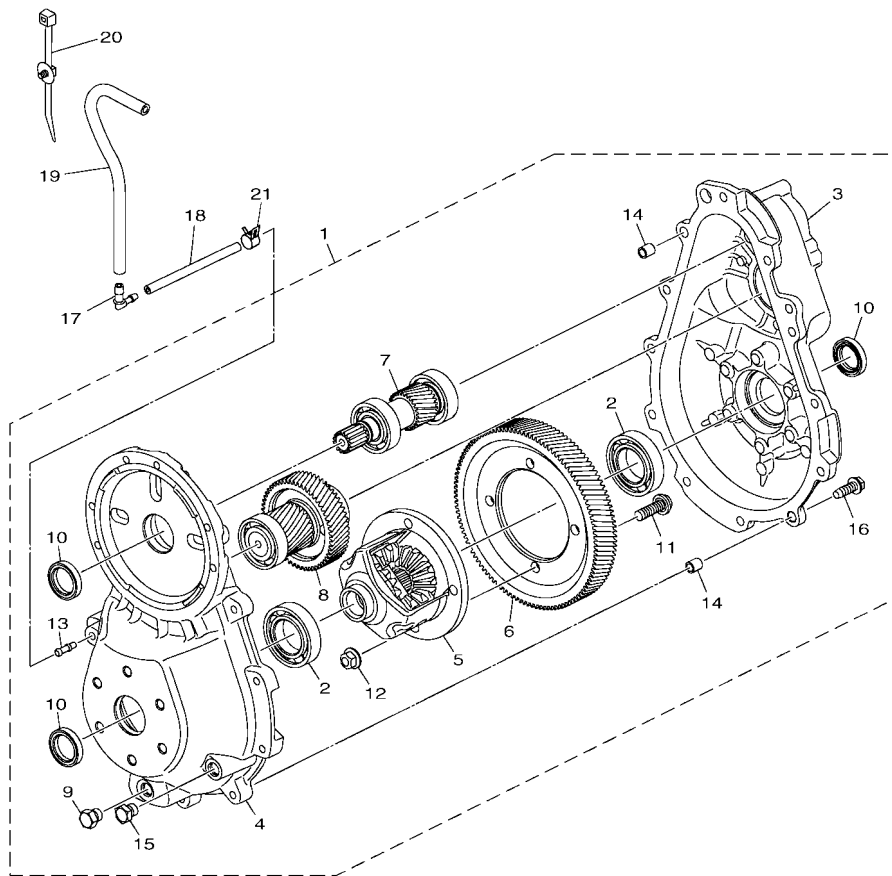


J0B1110-S170

FIG. 7 BRAKE

REF. NO.	PART NO.	DESCRIPTION	JOES				REMARKS
1	JW8-F7280-10	BACKING PLATE ASSY 1	1				
2	JN9-W2536-11	.BRAKE SHOE SET	1				
3	J38-27204-00	.LEVER ASSY 1	1				
4	JW8-F7281-00	.SPRING, SHOE CLAMP	2				
5	J10-27282-00	.PIN, SHOE HOLD DOWN	2				
6	90506-20281	.SPRING, TENSION	1				
7	90506-14001	.SPRING, TENSION	1				
8	J55-27270-00	.ADJUSTER ASSY	1				
9	JW8-F7286-00	.COVER, DUST	1				
10	90201-121H9	.WASHER, PLATE	1				
11	90201-121H8	.WASHER, PLATE	1				
12	JW8-F7290-10	BACKING PLATE ASSY 2	1				
13	JN9-W2536-11	.BRAKE SHOE SET	1				
14	J38-27205-00	.LEVER ASSY 2	1				
15	JW8-F7281-00	.SPRING, SHOE CLAMP	2				
16	J10-27282-00	.PIN, SHOE HOLD DOWN	2				
17	90506-20281	.SPRING, TENSION	1				
18	90506-14001	.SPRING, TENSION	1				
19	J55-27260-00	.ADJUSTER ASSY	1				
20	JW8-F7286-00	.COVER, DUST	1				
21	90201-121H9	.WASHER, PLATE	1				
22	90201-121H8	.WASHER, PLATE	1				
23	90105-082A0	BOLT, FLANGE	8				

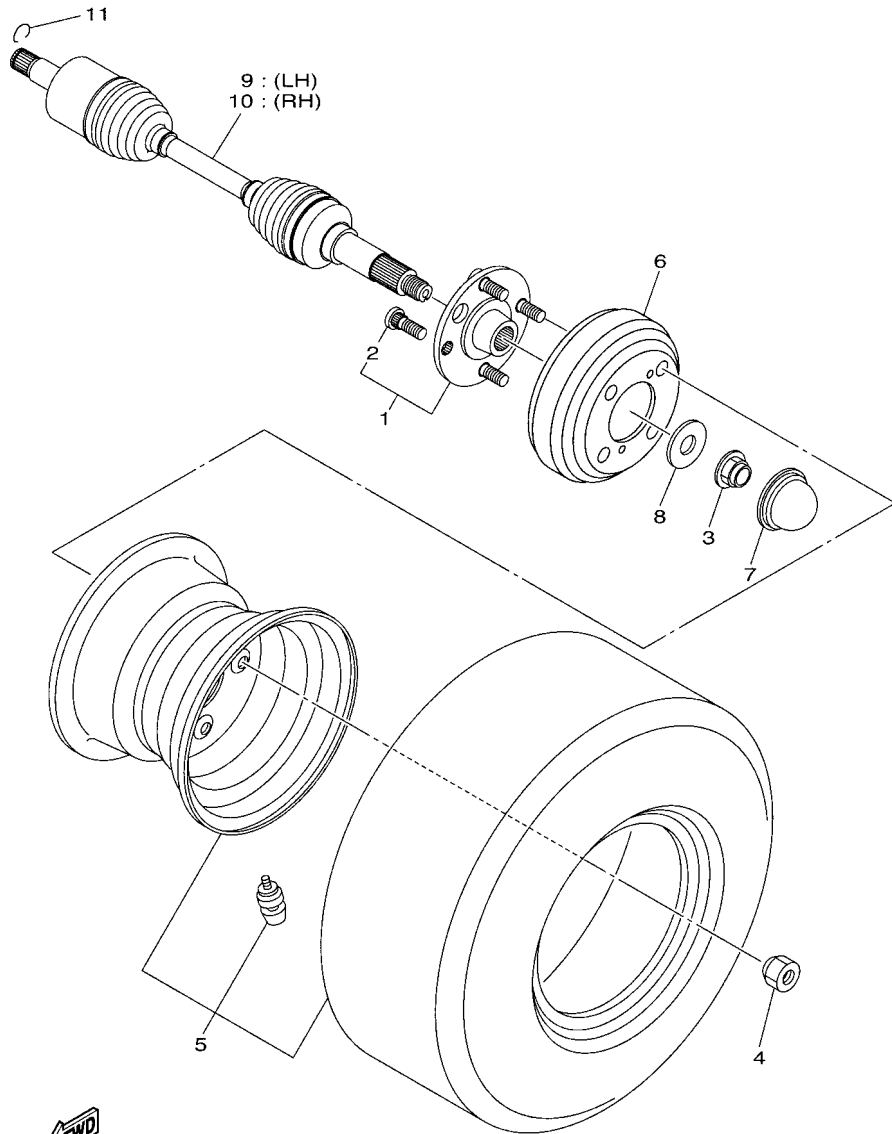
FIG. 8 TRANSAXLE



REF. NO.	PART NO.	DESCRIPTION	JOES				REMARKS
1	J0S-G6301-01	TRANSMISSION ASSY	1				
2	93306-007Y0	.BEARING	2				
3	J0S-G6290-00	.CASE ASSY	1				
4	J0S-G6314-00	.COVER, TRANSMISSION	1				
5	J0B-G6410-00	.DIFFERENTIAL ASSY.	1				
6	JW9-G6421-00	.GEAR, RING	1				
7	J0S-G6320-00	.INPUT SHAFT ASSY	1				
8	J0S-G6350-00	.COUNTER GEAR ASSY	1				
9	J0S-G7339-00	.PLUG	1				
10	J0B-G3812-00	.SEAL, DUST	3				
11	JC1-G2544-00	.BOLT	4				
12	90170-10840	.NUT	4				
13	JW8-G5378-00	.NIPPLE, HOSE	1				
14	J0S-G2534-00	.PIN, DOWEL	2				
15	J0S-G5148-00	.PLUG, DRAIN	1				
16	J0S-G1148-00	.BOLT	12				
17	J0S-F1828-00	ELBOW	1				
18	90445-10056	HOSE (L85)	1				
19	90445-143G1	HOSE (L400)	1				
20	1NS-F1338-00	CLAMP	1				
21	90467-10846	CLIP	1				



J0E5110-W082

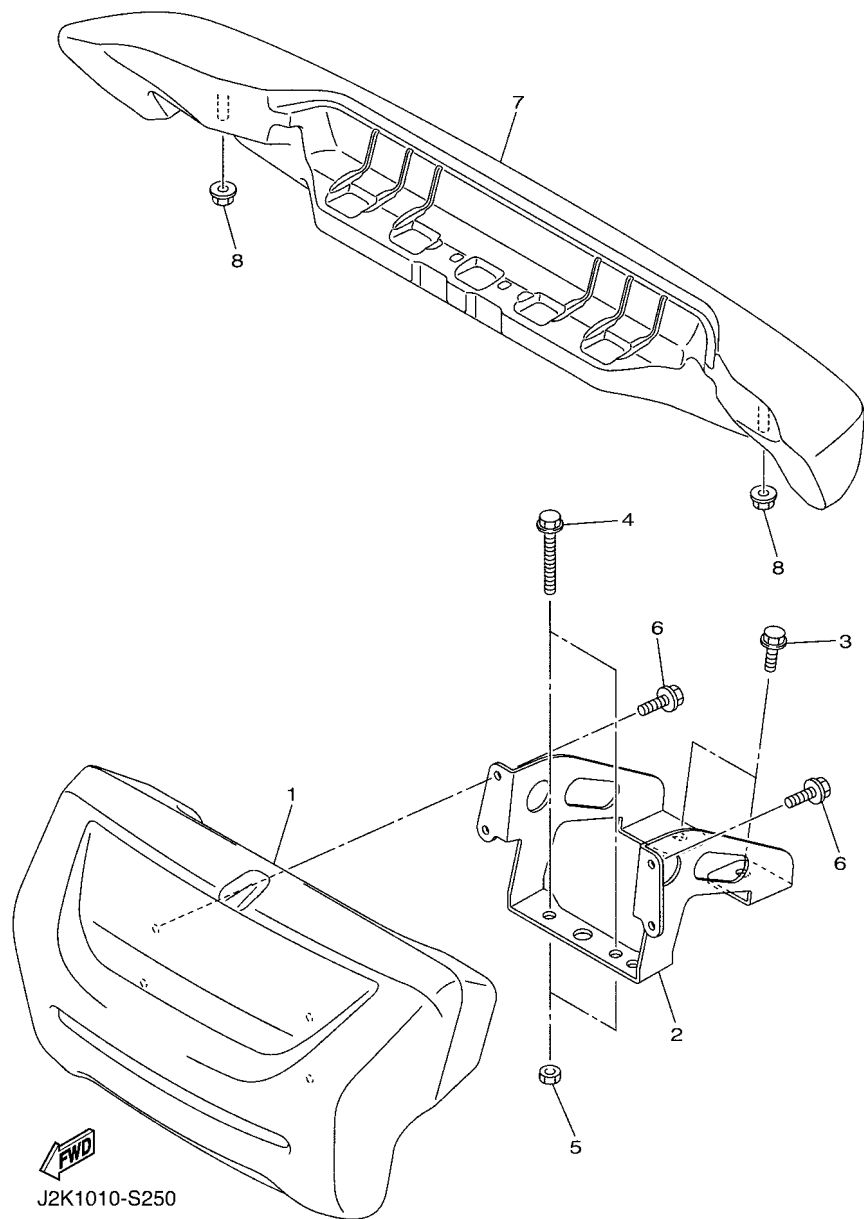


J0D1100-S240

FIG. 9 REAR AXLE & WHEEL

REF. NO.	PART NO.	DESCRIPTION	J0E5				REMARKS
1	J0B-F5310-10	HUB ASSY	2				
2	90114-12006	.BOLT, SERRATION	4				
3	90179-20016	NUT	2				
4	90179-12262	NUT	8				
5	JC1-F5100-01	WHEEL ASSY (205/65-10 4P)	2				
6	JW3-G6521-00	DRUM	2				
7	JW8-F5118-00	COVER, HUB DUST	2				
8	90201-20035	WASHER, PLATE	2				
9	J0B-F518F-00	DRIVE SHAFT ASSY	1				
10	J0B-F518G-00	DRIVE SHAFT ASSY	1				
11	93450-22119	CIRCLIP	2				

FIG. 10 BUMPER



REF. NO.	PART NO.	DESCRIPTION	JOES				REMARKS
1	J0B-K7510-01	FRONT BUMPER COMP.	1				
2	J0B-K8164-00	STAY, FRONT BUMPER (L.H)	1				
3	95812-08016	BOLT, FLANGE	2				
4	95812-08050	BOLT, FLANGE	2				
5	95302-08700	NUT, HEXAGON	2				
6	95822-06012	BOLT, FLANGE	4				
7	J0B-K7540-00	REAR BUMPER COMP.	1				
8	95602-10200	NUT, S/L FLANGE	2				

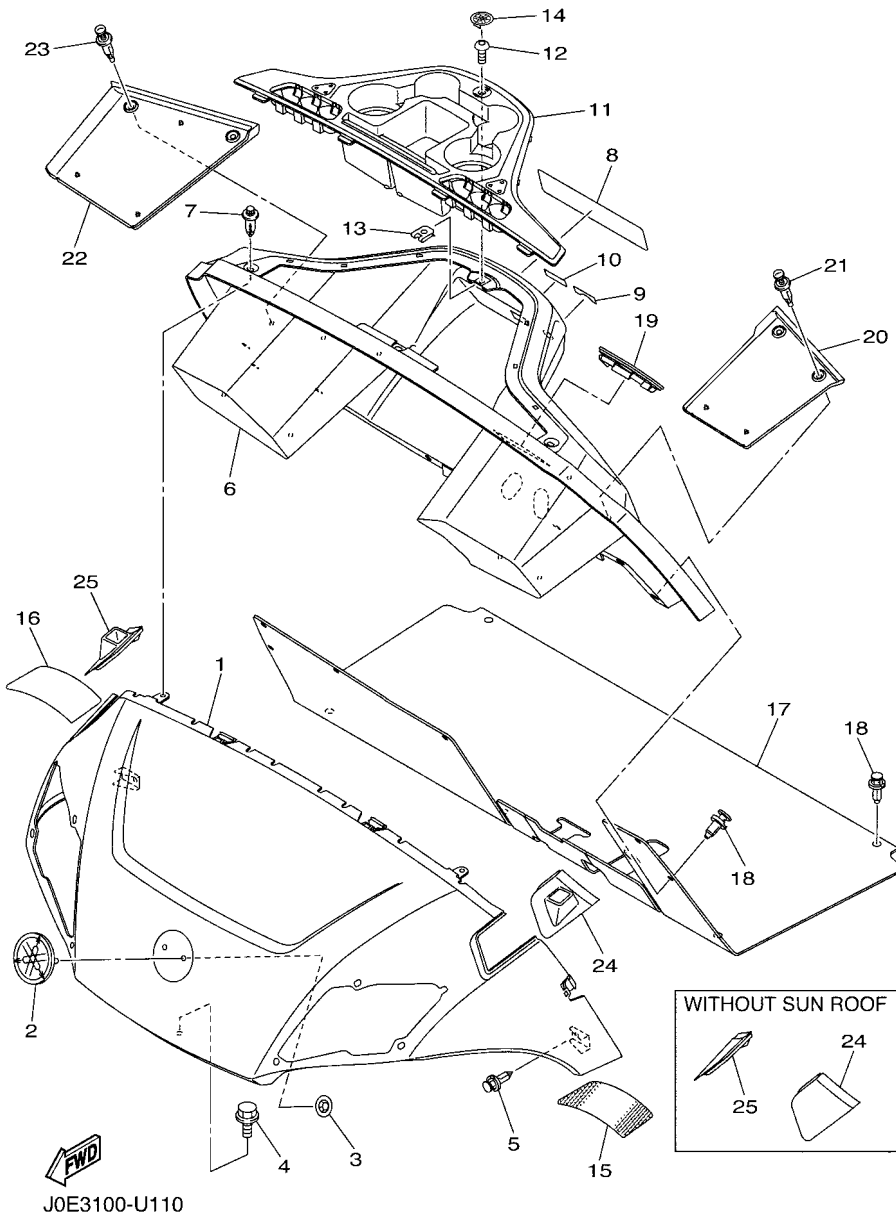


FIG. 11 BODY

REF. NO.	PART NO.	DESCRIPTION	JOES		REMARKS
1	J0D-K8115-A0	COWL, FRONT	1		UR FOR BW1
	J0D-K8115-00	COWL, FRONT	1		UR FOR DNBME
	J0D-K8115-30	COWL, FRONT	1		UR FOR LNMP
	J0D-K8115-70	COWL, FRONT	1		UR FOR DRMV
	J0D-K8115-80	COWL, FRONT	1		UR FOR BMG
	J0D-K8115-90	COWL, FRONT	1		UR FOR VPBM6
	J0D-K8115-T0	COWL, FRONT	1		UR FOR MNYM2
	J0D-K8115-U0	COWL, FRONT	1		UR FOR MDNM7
	J0D-K8115-V0	COWL, FRONT	1		UR FOR MDOM1
2	J0B-F4161-00	EMBLEM 1	1		
3	JU0-K7573-00	NUT, SPECIAL	2		
4	90105-06831	BOLT, FLANGE	1		
5	90269-06804	RIVET	2		
6	J0E-K8114-01	PANEL, FRONT	1		
7	90269-08001	RIVET	3		
8	J0D-K7768-00	LABEL, WARNING 8	1		UR ENGLISH
	J0D-K7768-10	LABEL, WARNING 8	1		UR ENGLISH/FRENCH
	J0D-K7768-20	LABEL, WARNING 8	1		UR GERMAN
	J0D-K7768-30	LABEL, WARNING 8	1		UR SPANISH
	J0D-K7768-40	LABEL, WARNING 8	1		UR PORTUGUESE
9	J0D-K8282-00	PLATE, SWITCH PANEL	1		
10	J0C-K7741-00	INDICATOR 1	1		
11	J0B-K835E-00	HOLDER, BEVERAGE	1		
12	90111-05805	BOLT, HEX. SOCKET BUTTON	1		
13	90183-05008	NUT, SPRING	1		
14	J0B-H2370-00	PLUG CAP ASSY	1		
15	J0D-H333B-00	REFLECTOR 1	1		

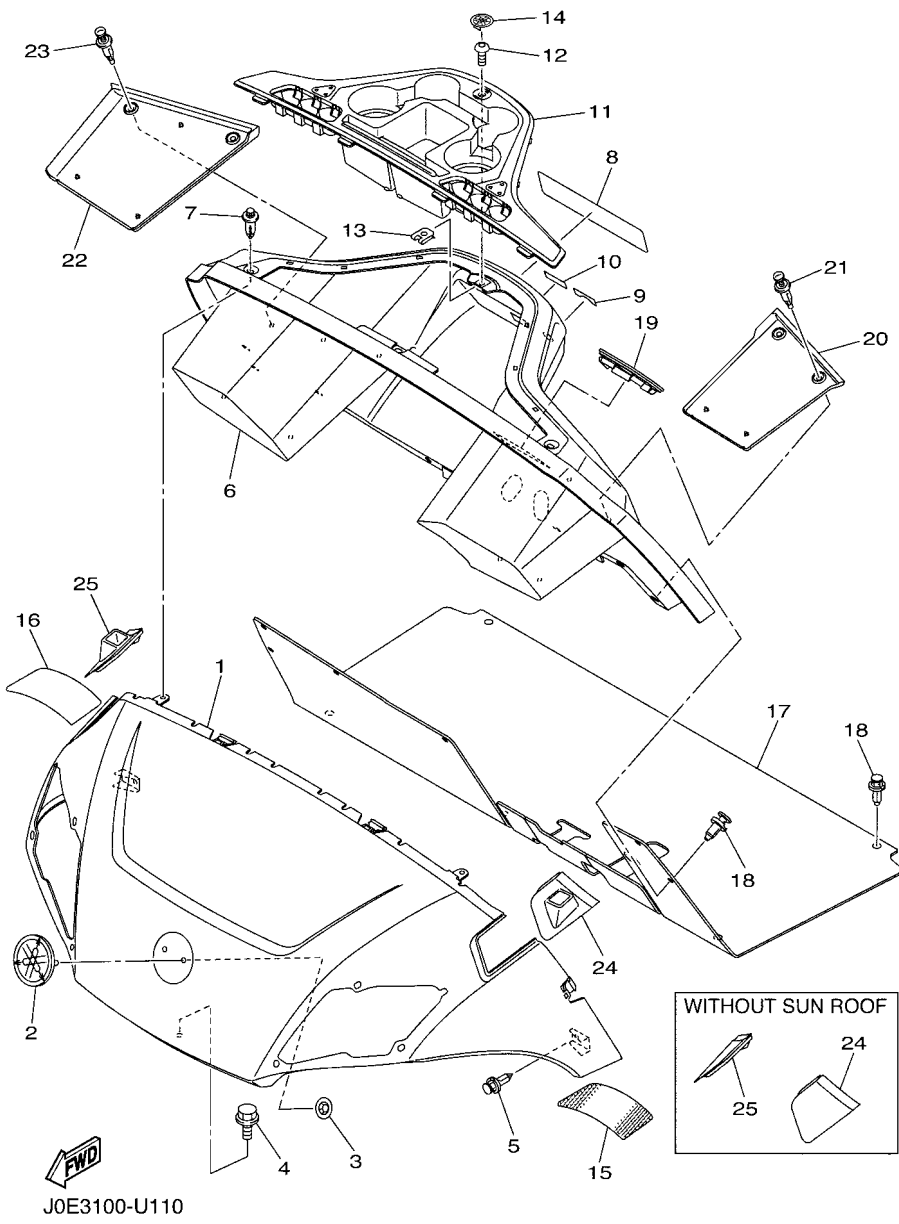
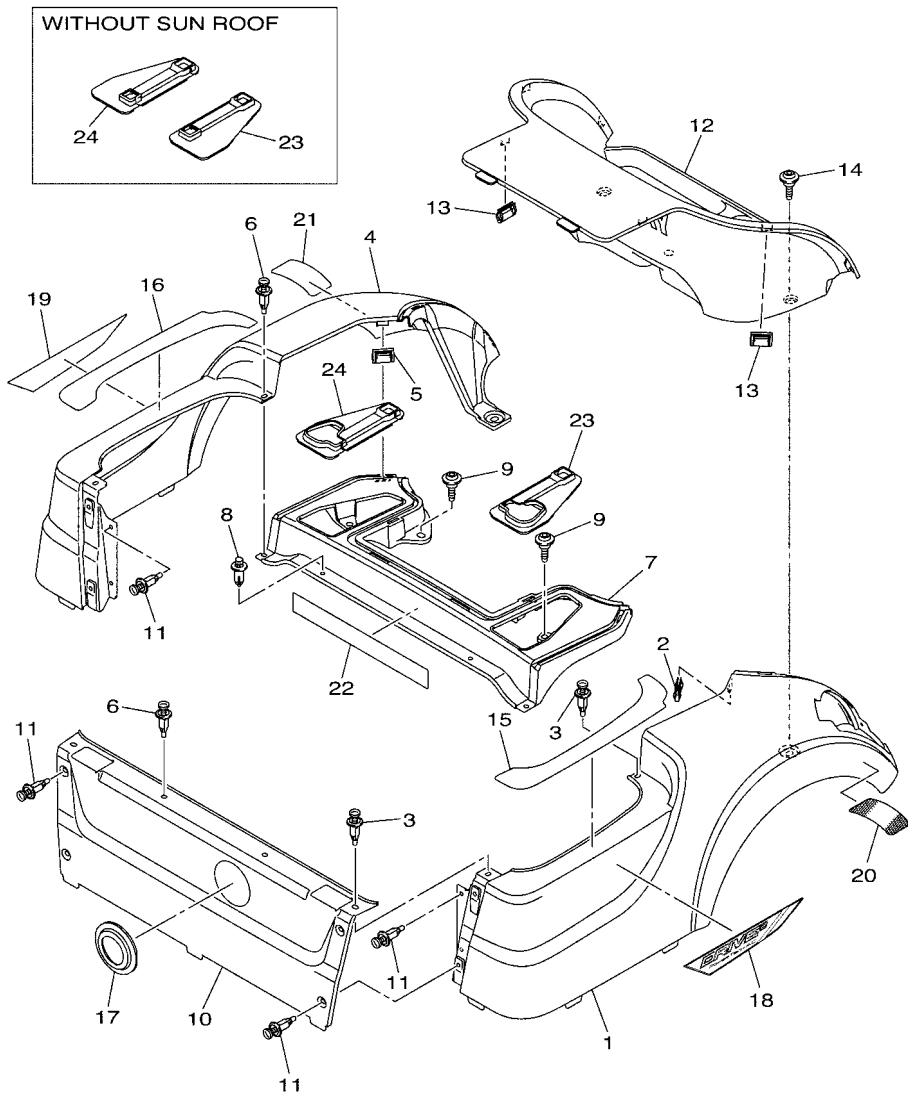


FIG. 11 BODY

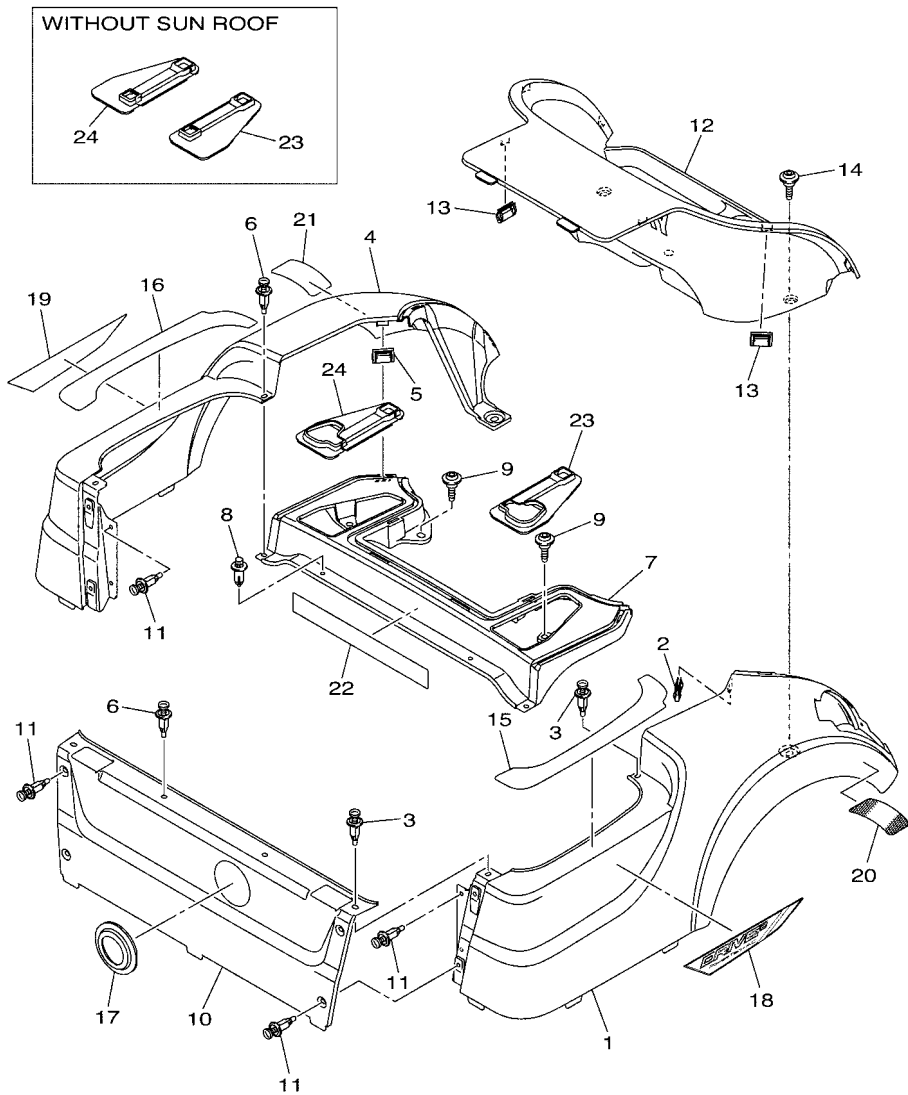
REF. NO.	PART NO.	DESCRIPTION	J0E5				REMARKS
16	J0D-H334B-00	REFLECTOR, 2	1				
17	J0D-K8233-10	MAT, MAIN FLOOR 3	1				
18	90269-09003	RIVET	12				
19	J0B-K8273-10	COVER, HOLE	1				
20	J0B-K8243-00	MAT, REAR BODY SIDE (LH)	1				
21	90269-07805	RIVET	2				
22	J0B-K8244-00	MAT, REAR BODY SIDE (RH)	1				
23	90269-07805	RIVET	2				
24	J1B-K832F-00	GROMMET, ROOF SUPPORT 1	1				WITH SUN ROOF
	J0B-K832F-00	GROMMET, ROOF SUPPORT 1	1				WITHOUT SUN ROOF
25	J1B-K832G-00	GROMMET, ROOF SUPPORT 2	1				WITH SUN ROOF
	J0B-K832G-00	GROMMET, ROOF SUPPORT 2	1				WITHOUT SUN ROOF



J0E1100-S120

FIG. 12 BODY 2

REF. NO.	PART NO.	DESCRIPTION	JOES		REMARKS
1	J0D-K8111-A0	PANEL, BODY SHELL	1		UR FOR BW1
	J0D-K8111-00	PANEL, BODY SHELL	1		UR FOR DNBME
	J0D-K8111-30	PANEL, BODY SHELL	1		UR FOR LNMP
	J0D-K8111-70	PANEL, BODY SHELL	1		UR FOR DRMV
	J0D-K8111-80	PANEL, BODY SHELL	1		UR FOR BMG
	J0D-K8111-90	PANEL, BODY SHELL	1		UR FOR VPBM6
	J0D-K8111-T0	PANEL, BODY SHELL	1		UR FOR MNYM2
	J0D-K8111-U0	PANEL, BODY SHELL	1		UR FOR MDNM7
	J0D-K8111-V0	PANEL, BODY SHELL	1		UR FOR MDOM1
2	J0B-F3447-00	CLIP	1		
3	90269-07805	RIVET	3		
4	J0D-K8112-A0	PANEL, BODY SHELL	1		UR FOR BW1
	J0D-K8112-00	PANEL, BODY SHELL	1		UR FOR DNBME
	J0D-K8112-30	PANEL, BODY SHELL	1		UR FOR LNMP
	J0D-K8112-70	PANEL, BODY SHELL	1		UR FOR DRMV
	J0D-K8112-80	PANEL, BODY SHELL	1		UR FOR BMG
	J0D-K8112-90	PANEL, BODY SHELL	1		UR FOR VPBM6
	J0D-K8112-T0	PANEL, BODY SHELL	1		UR FOR MNYM2
	J0D-K8112-U0	PANEL, BODY SHELL	1		UR FOR MDNM7
	J0D-K8112-V0	PANEL, BODY SHELL	1		UR FOR MDOM1
5	J0B-F3447-00	CLIP	1		
6	90269-07805	RIVET	3		
7	J0B-K819H-00	SHELL, REAR BODY	1		
8	JW7-K7329-00	RIVET	2		
9	J0B-F1738-00	BOLT	4		
10	J0C-K8141-A0	PANEL, INTERMEDIATE BODY	1		UR FOR BW1
	J0C-K8141-00	PANEL, INTERMEDIATE BODY	1		UR FOR DNBME

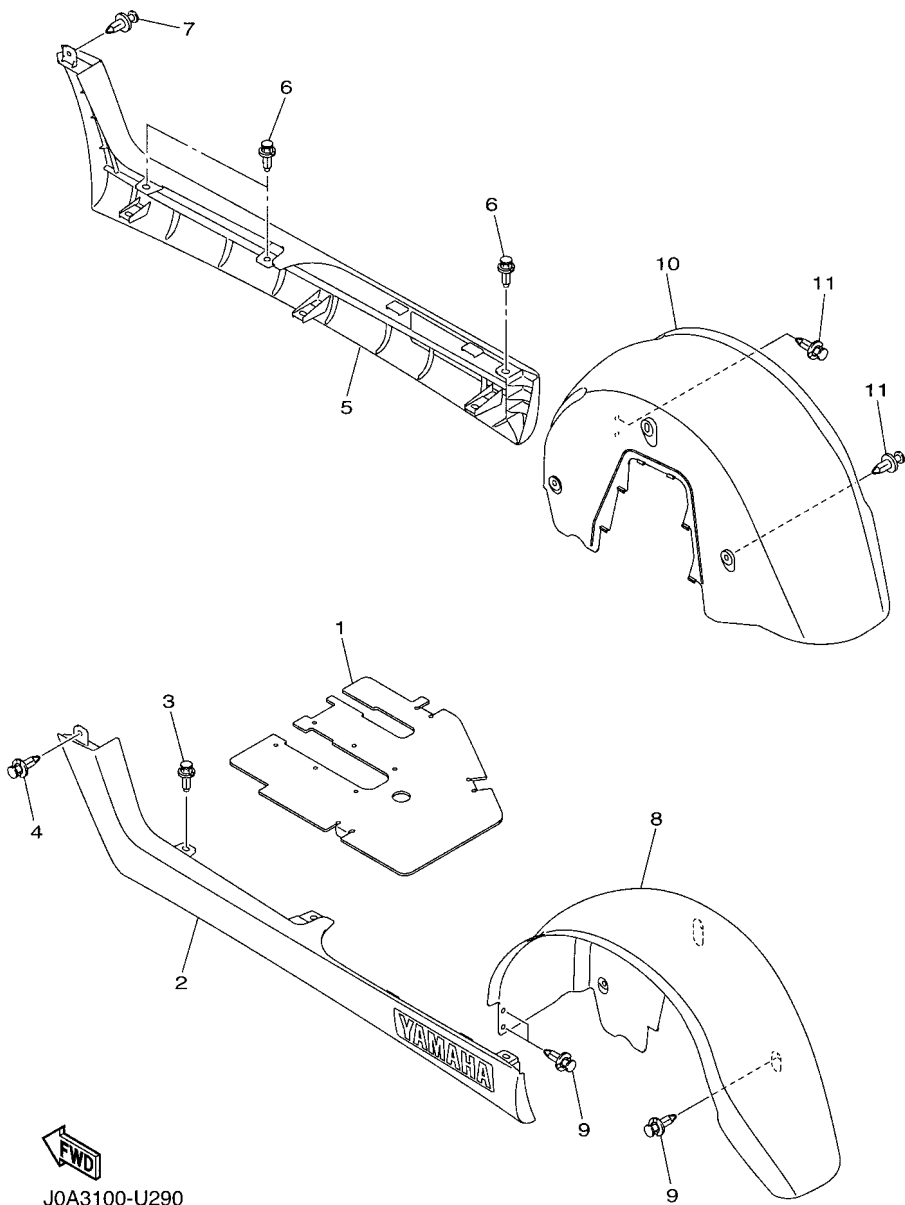


J0E1100-S120

FIG. 12 BODY 2

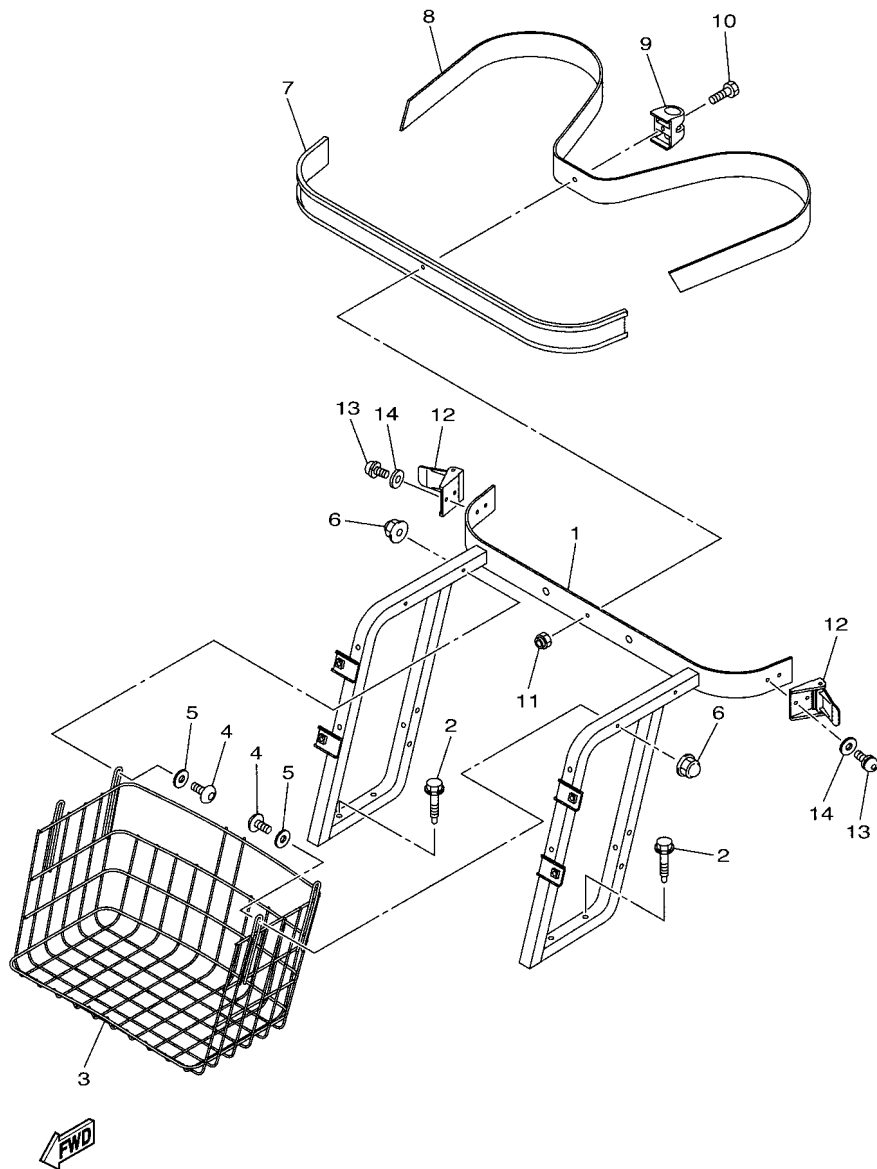
REF. NO.	PART NO.	DESCRIPTION	JOES	REMARKS
10	J0C-K8141-30	PANEL, INTERMEDIATE BODY	1	UR FOR LNMP
	J0C-K8141-70	PANEL, INTERMEDIATE BODY	1	UR FOR DRMV
	J0C-K8141-80	PANEL, INTERMEDIATE BODY	1	UR FOR BMG
	J0C-K8141-90	PANEL, INTERMEDIATE BODY	1	UR FOR VPBM6
	J0C-K8141-T0	PANEL, INTERMEDIATE BODY	1	UR FOR MNYM2
	J0C-K8141-U0	PANEL, INTERMEDIATE BODY	1	UR FOR MDNM7
	J0C-K8141-V0	PANEL, INTERMEDIATE BODY	1	UR FOR MDOM1
11	90269-07805	RIVET	8	
12	J0B-K8237-02	COVER, REAR FLOOR	1	FOR 2 BAGS
13	J0B-F3447-00	CLIP	4	
14	J0B-F1738-00	BOLT	2	
15	J0B-F2873-01	SEAL 1	1	
16	J0B-F2874-01	SEAL 2	1	
17	J0C-K827A-00	GUIDE 1	1	
18	J0E-F1781-40	EMBLEM 1	1	UR FOR BMG
	J0E-F1781-50	EMBLEM 1	1	UR EXCEPT FOR BMG
19	J0E-F1782-40	EMBLEM 2	1	UR FOR BMG
	J0E-F1782-50	EMBLEM 2	1	UR EXCEPT FOR BMG
20	J0D-H360G-00	REFLECTOR 3	1	
21	J0D-H360H-00	REFLECTOR 4	1	
22	JW9-K8297-01	PLATE, CAUTION 1	1	UR ENGLISH/FRENCH
	JW9-K8297-11	PLATE, CAUTION 1	1	UR GERMAN/SPANISH
	JW9-K8297-40	PLATE, CAUTION 1	1	UR PORTUGUESE/SPANISH
23	J0B-K817H-10	TRIM, SIDE PANEL 1	1	WITH SUN ROOF
	J0B-K817H-00	TRIM, SIDE PANEL 1	1	WITHOUT SUN ROOF
24	J0B-K817J-10	TRIM, SIDE PANEL 2	1	WITH SUN ROOF
	J0B-K817J-00	TRIM, SIDE PANEL 2	1	WITHOUT SUN ROOF

FIG. 13 BODY FITTING



REF. NO.	PART NO.	DESCRIPTION	JOES				REMARKS
1	J0B-K8271-01	SERVICE LID, PEDAL	1				
2	J0B-K818A-00	PROTECTOR, SIDE PLATE	1				
3	90269-09003	RIVET	3				
4	90269-06804	RIVET	1				
5	J0B-K818B-00	PROTECTOR, SIDE PLATE 2	1				
6	90269-09003	RIVET	3				
7	90269-06804	RIVET	1				
8	J0B-K8191-00	PANEL, REAR FENDER 1	1				
9	90269-06804	RIVET	5				
10	J0B-K8192-00	PANEL, REAR FENDER 2	1				
11	90269-06804	RIVET	5				

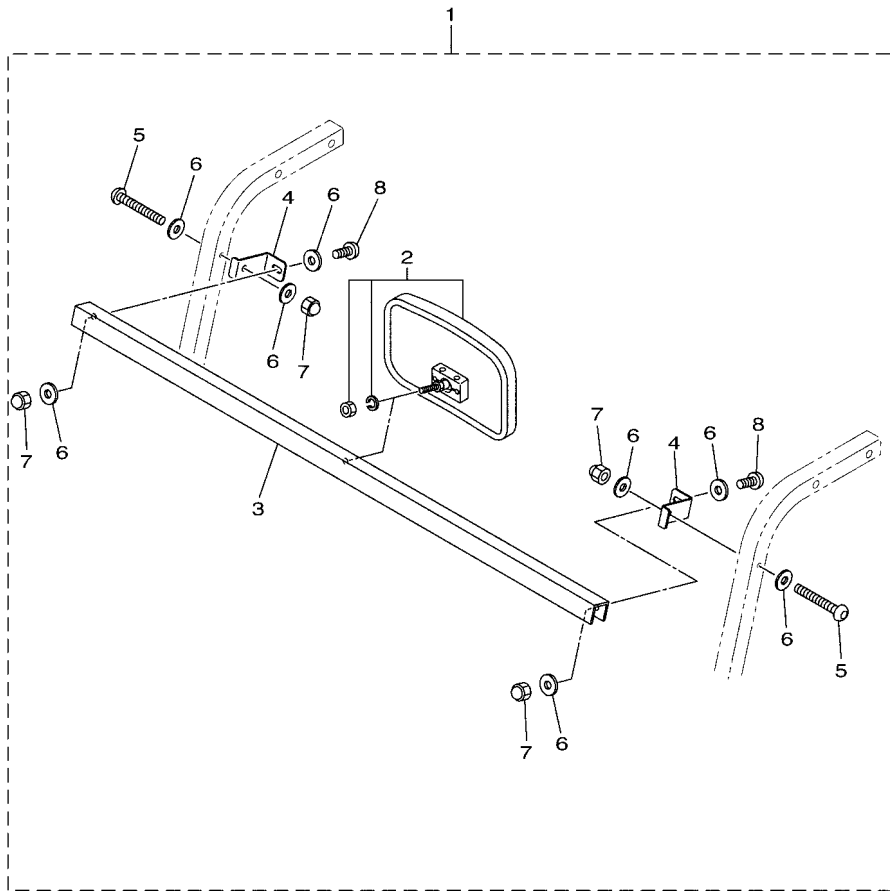
FIG. 14 CARRIER



J0B1110-S280

REF. NO.	PART NO.	DESCRIPTION	JOB'S				REMARKS
1	J0B-K8423-00	SUPPORT, SEAT BACK	1				
2	90109-08178	BOLT	4				
3	JW1-K8340-00	LUGGAGE RACK ASSY., REAR	1				
4	92017-06040	BOLT, BUTTON HEAD	4				
5	J0B-K7389-00	WASHER	4				
6	90176-06008	NUT, CROWN	4				
7	JF2-K8356-00	PAD, BAG SUPPORT	1				
8	JN6-K8355-20	BAND	1				
9	JW1-K834G-00	HOLDER, RAKE SAND	1				
10	9708R-06020	BOLT	1				
11	90185-06836	NUT, SELF-LOCKING	1				
12	JN6-K8380-00	LOCK ASSY	2				
13	90159-06845	SCREW, WITH WASHER	4				
14	9299R-06200	WASHER	4				

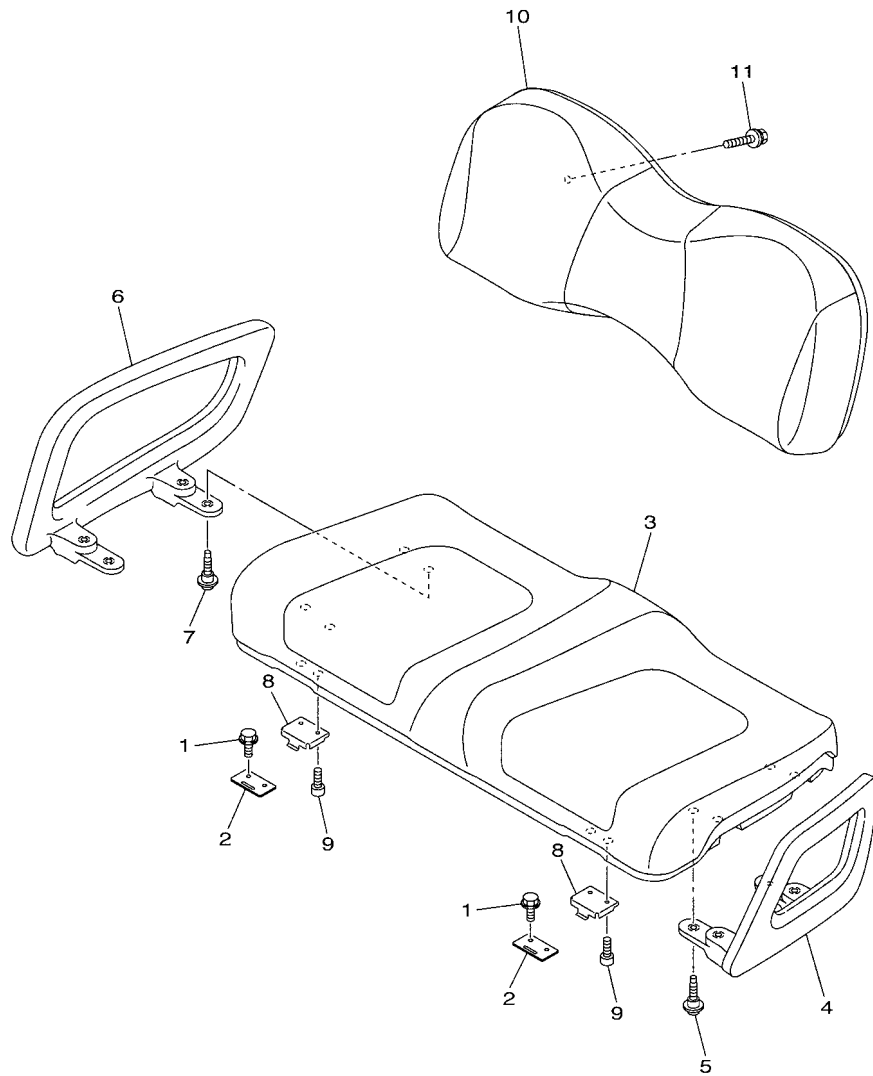
FIG. 15 REAR VIEW MIRROR



REF. NO.	PART NO.	DESCRIPTION	QTY	REMARKS
1	JC0-F6280-11	REAR VIEW MIRROR ASSY (LEFT)	1	
2	JC0-F6291-11	.MIRROR	1	
3	JC0-F831W-20	.STAY, MIRROR 1	1	
4	JC0-F834N-20	.BRACKET, MIRROR 1	2	
5	JW1-K7387-20	.SCREW	2	
6	JC0-K7178-00	.WASHER 1	8	
7	JW1-K7217-10	.NUT, WIND SHIELD	4	
8	JC0-K7212-10	.BOLT, WIND SHIELD	2	



JC17100-P150

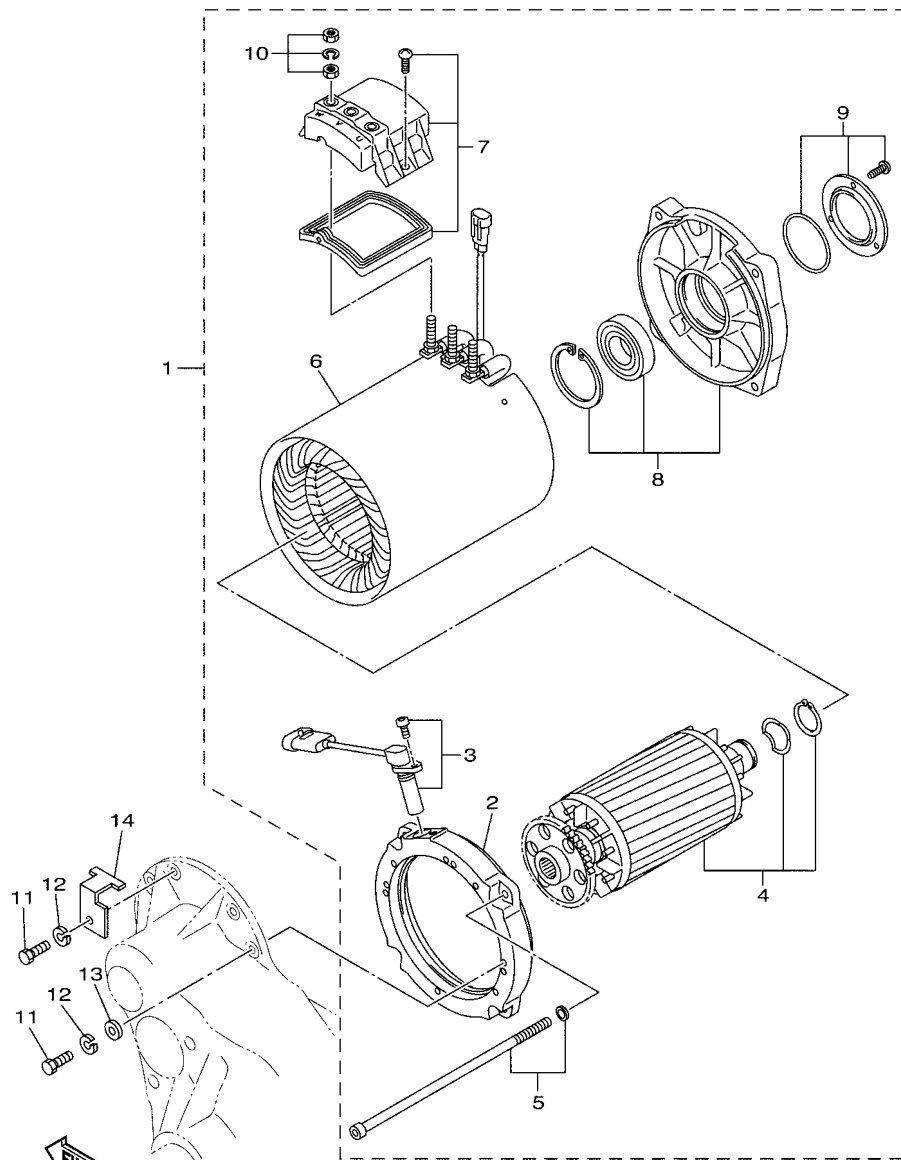


J0B1110-S290

FIG. 16 SEAT

REF. NO.	PART NO.	DESCRIPTION	JOB'S	REMARKS
1	JW9-H1674-00	BOLT	4	
2	JW1-K8427-00	HINGE, SEAT 2	2	
3	J0A-K8401-10	SEAT SUB-ASSY,CUSHION	1	
4	J0B-K8361-00	ARM REST 1	1	
5	J0B-F1738-00	BOLT	4	
6	J0B-K8362-00	ARM REST 2	1	
7	J0B-F1738-00	BOLT	4	
8	J0B-K8426-01	HINGE, SEAT 1	2	
9	90110-06125	BOLT, HEXAGON SOCKET HEAD	4	
10	JW1-K8402-10	SEAT SUB ASSY, BACK	1	
11	90119-06808	BOLT, WITH WASHER	4	

FIG. 17 ELECTRIC MOTOR



J0H1100-U170

REF. NO.	PART NO.	DESCRIPTION	J0ES				REMARKS
1	JW3-H1890-10	MOTOR ASSY	1				
2	JW3-H183J-00	.BRACKET, FRONT	1				
3	JW3-H3756-00	.SENSOR, UNIT	1				
4	JW3-H1155-00	.ARMATURE	1				
5	JW3-H2379-00	.SCREW, UNIT	1				
6	JW3-H1117-10	.STATOR	1				
7	JW3-H165G-00	.PLTE, TERMINAL	1				
8	JW3-H182J-00	.BRACKET COMPLETE	1				
9	JW3-H1869-00	.COVER, DUST	1				
10	JW3-H182V-00	.NUT & WASHER KIT	1				
11	90101-069U0	BOLT	3				
12	90215-06811	WASHER, LOCK	3				
13	90201-068E2	WASHER, PLATE	2				
14	JU2-H218E-01	RELIEF, STRAIN 1	1				

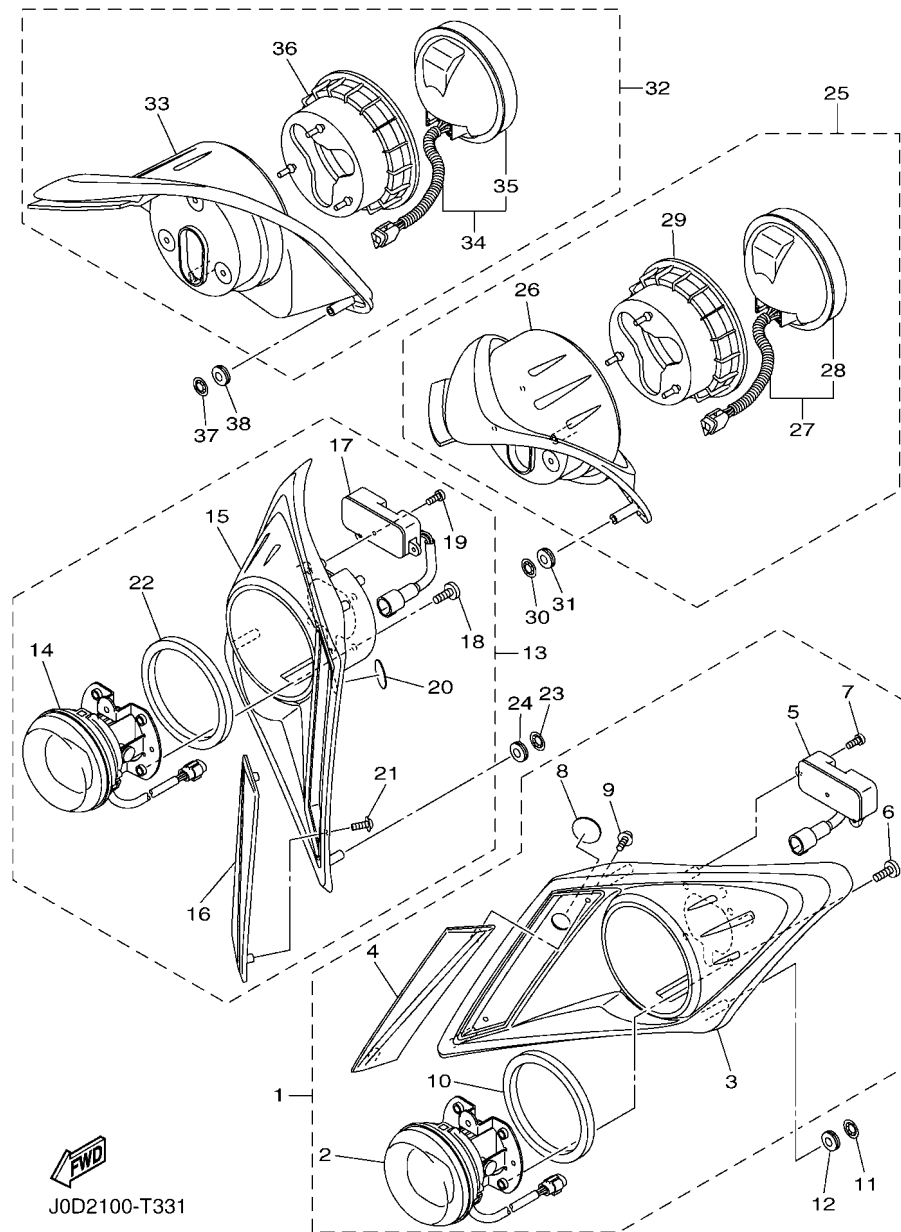
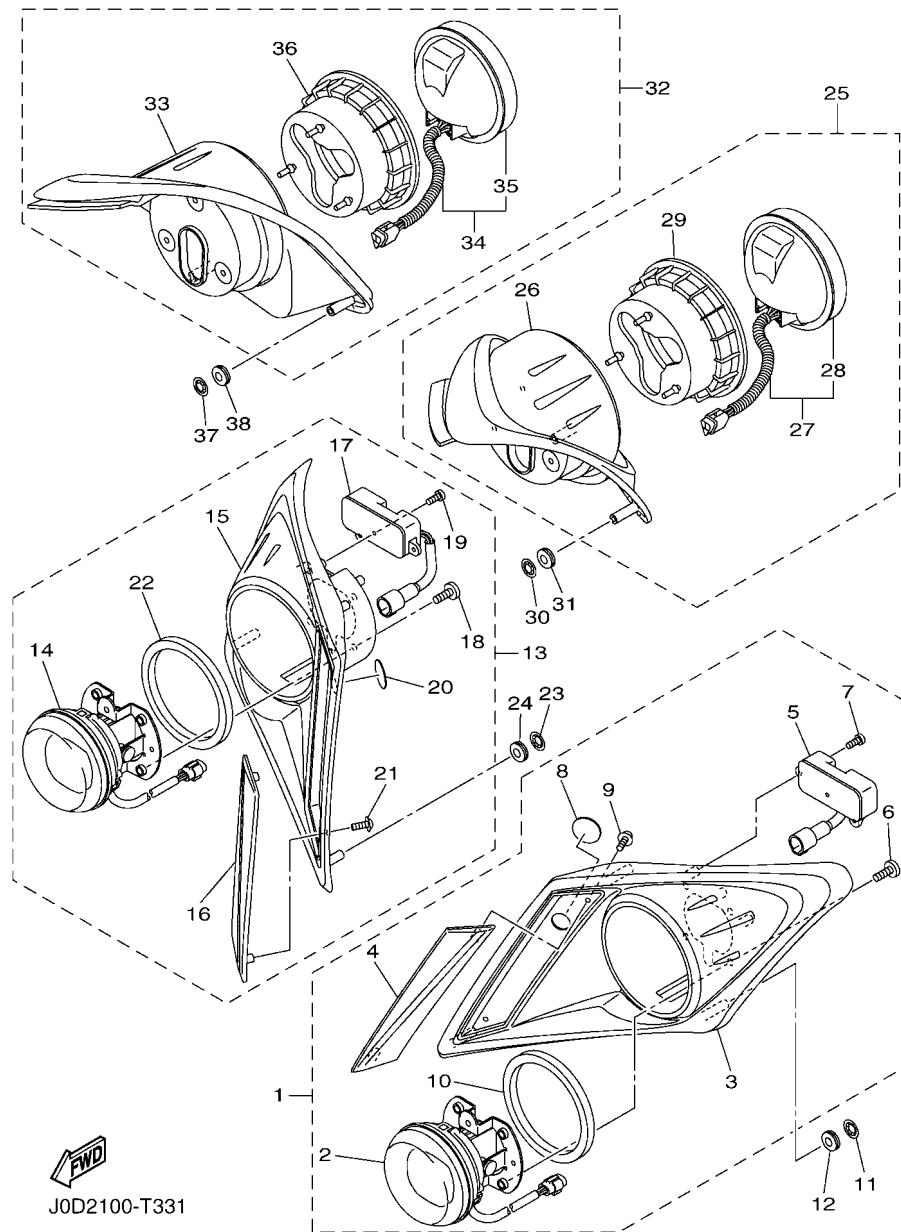


FIG. 18 HEAD & TAIL LIGHT

REF. NO.	PART NO.	DESCRIPTION	JOES				REMARKS
1	J0D-H4110-01	HEADLIGHT UNIT ASSY	1				
2	J0D-H4300-00	.HEADLIGHT ASSY	1				
3	J0D-H411T-01	.HOLDER, 1	1				
4	J0D-H4385-00	.CAP,1	1				
5	J0D-H5490-01	.LIGHT CONTROL UNIT	1				
6	J0D-H4526-00	.SCREW	4				
7	J0D-H4726-00	.SCREW	3				
8	J0D-H3547-00	.COVER, SOCKET	1				
9	J0D-H4524-00	.SCREW, LENS FITTING	2				
10	J0D-H4195-00	.RING, RETAINING	1				
11	90183-08800	NUT, SPRING	3				
12	90480-13016	GROMMET	3				
13	J0D-H4170-01	HEAD LIGHT UNIT ASSY	1				
14	J0D-H4300-00	.HEADLIGHT ASSY	1				
15	J0D-H411U-01	.HOLDER, 2	1				
16	J0D-H4386-00	.CAP,2	1				
17	J0D-H5490-01	.LIGHT CONTROL UNIT	1				
18	J0D-H4526-00	.SCREW	4				
19	J0D-H4726-00	.SCREW	3				
20	J0D-H3547-00	.COVER, SOCKET	1				
21	J0D-H4524-00	.SCREW, LENS FITTING	2				
22	J0D-H4195-00	.RING, RETAINING	1				
23	90183-08800	NUT, SPRING	3				
24	90480-13016	GROMMET	3				
25	J0D-H4710-01	TAILLIGHT UNIT ASSY	1				
26	J0D-H431U-00	.HOLDER	1				
27	J0D-H4700-01	.TAILLIGHT ASSY	1				



J0D2100-T331

FIG. 18 HEAD & TAIL LIGHT

REF. NO.	PART NO.	DESCRIPTION	JOES				REMARKS
28	JC0-H4514-01	.BULB	1				
29	J0D-H4718-00	.GROMMET	1				
30	90183-08800	NUT, SPRING	2				
31	90480-13016	GROMMET	2				
32	J0D-H4730-01	TAILLIGHT UNIT ASSY	1				
33	J0D-H4387-00	.HOLDER	1				
34	J0D-H4700-01	.TAILLIGHT ASSY	1				
35	JC0-H4514-01	.BULB	1				
36	J0D-H4718-00	.GROMMET	1				
37	90183-08800	NUT, SPRING	2				
38	90480-13016	GROMMET	2				

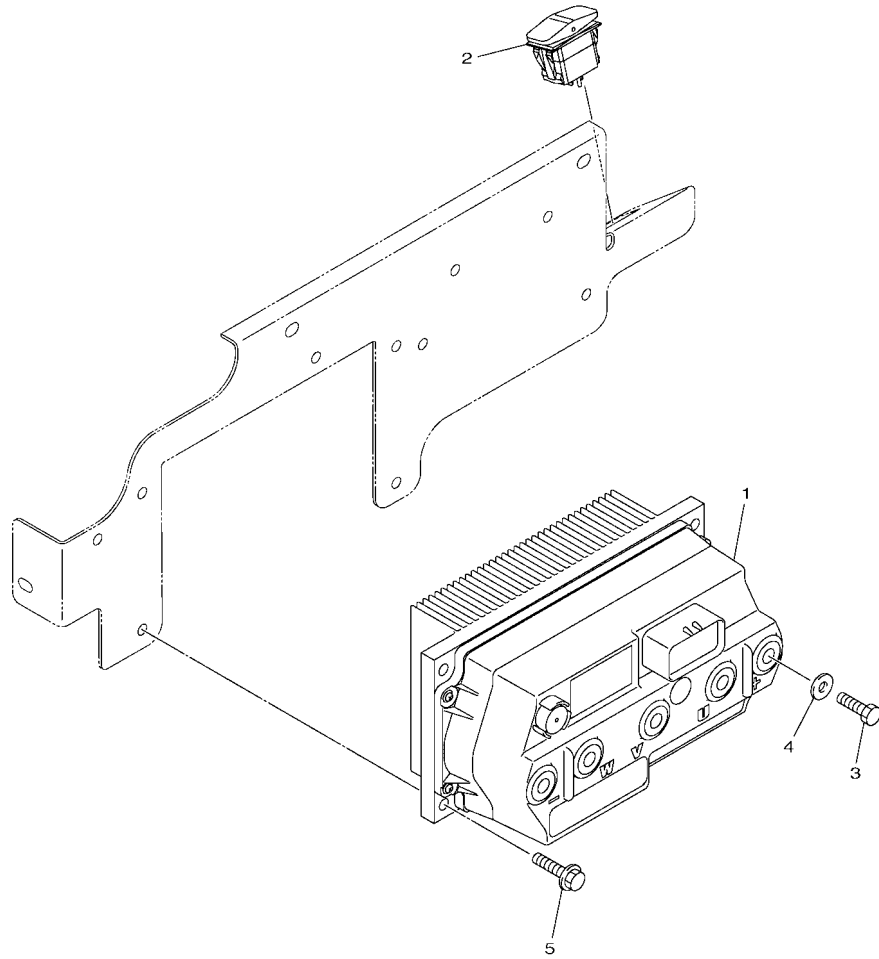
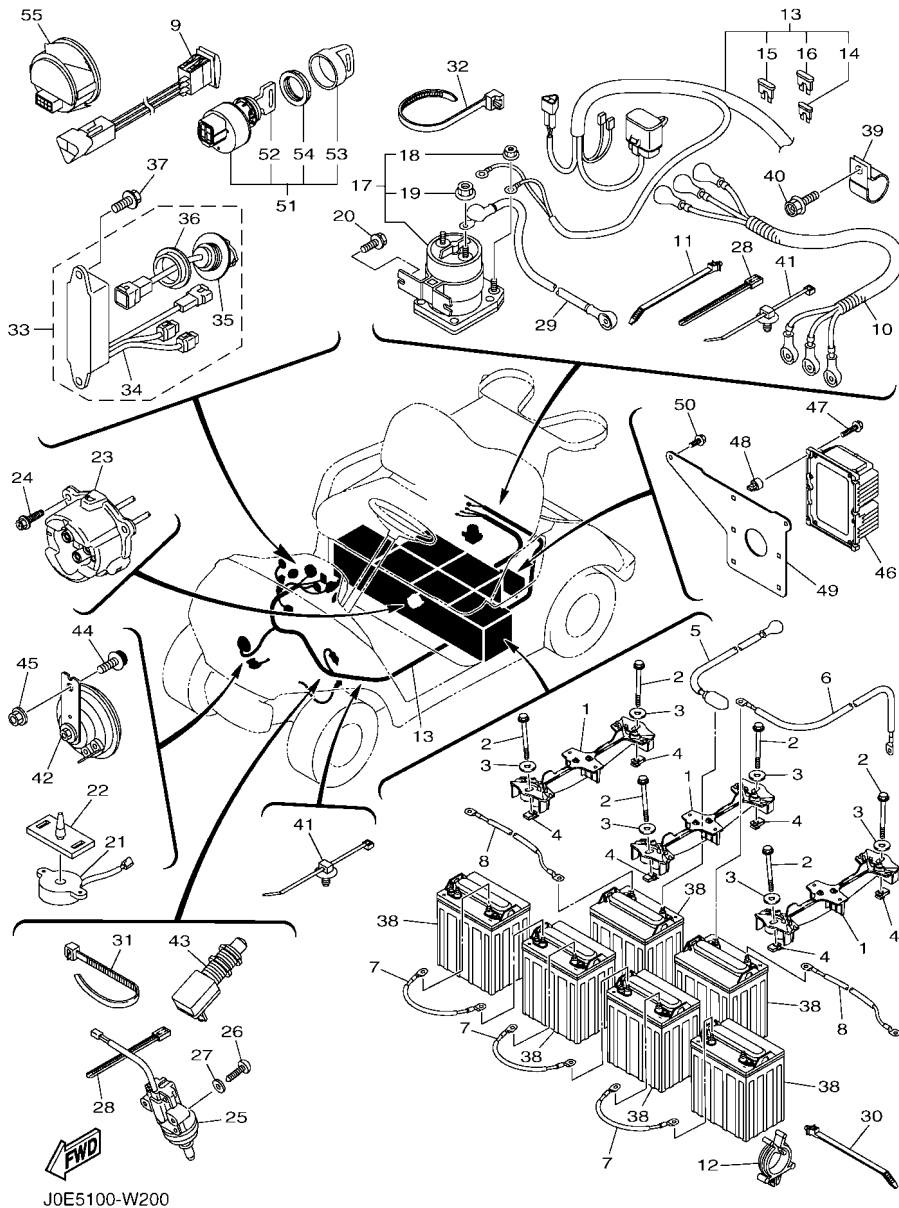


FIG. 19 CONTROLLER 1

REF. NO.	PART NO.	DESCRIPTION	J0E5				REMARKS
1	J0E-H6510-02	MOTOR CONTROL UNIT ASSY	1				
2	JW2-H2727-00	SWITCH	1				
3	97027-08016	BOLT, HEXAGON	5				
4	92907-08600	WASHER, PLATE	5				
5	90105-06833	BOLT, FLANGE	4				
<hr/>							
<hr/>							
<hr/>							
<hr/>							
<hr/>							
<hr/>							
<hr/>							
<hr/>							
<hr/>							
<hr/>							



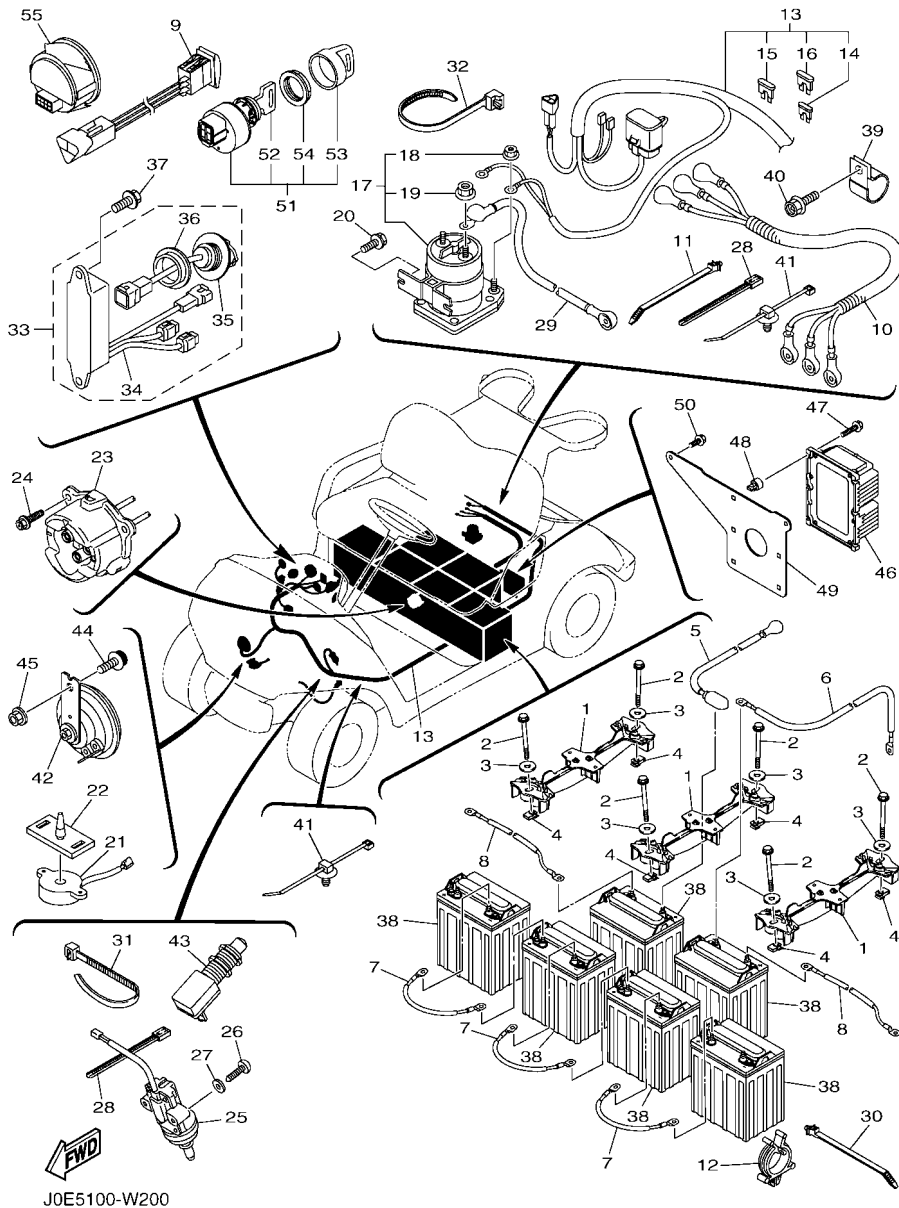
J0E5110-W190



J0E5100-W200

FIG. 20 ELECTRICAL 1

REF. NO.	PART NO.	DESCRIPTION	JOES				REMARKS
1	JW9-H2136-00	PLATE, BATTERY FITTING	3				
2	JW9-H1892-00	BOLT, SPECIAL	6				
3	90201-08310	WASHER, PLATE	6				
4	JW9-K811K-00	NUT, TRIM FITTING	6				
5	JC1-H2115-00	WIRE, PLUS LEAD	1				
6	JC1-H2116-00	WIRE, MINUS LEAD	1				
7	JC1-H2127-00	WIRE, LEAD 2	3				
8	JC1-H2149-00	WIRE, LEAD 3	2				
9	JU2-H2917-00	SWITCH	1				
10	JC1-H1441-00	LEAD WIRE ASSY	1				
11	90464-76800	CLAMP	1				
12	90464-25826	CLAMP	3				
13	J0E-H2590-12	WIRE HARNESS ASSY	1				
14	J0E-H554E-10	.FUSE (10A)	1				
15	J0J-H554E-30	.FUSE (3A)	1				
16	J0E-H554E-50	.FUSE (5A)	1				
17	JU6-H1950-00	RELAY ASSY	1				
18	90179-05807	.NUT	2				
19	90179-08824	.NUT	2				
20	90105-06831	BOLT, FLANGE	2				
21	JR1-H3383-02	BUZZER	1				
22	JN6-H3386-01	STAY, BUZZER	1				
23	JW9-H6181-10	RECEPTACLE	1				
24	JW1-F3394-00	BOLT, SPECIAL	3				
25	JF7-82817-22	SWITCH	1				
26	98502-05025	SCREW, PAN HEAD	2				
27	92902-05600	WASHER, PLATE	2				

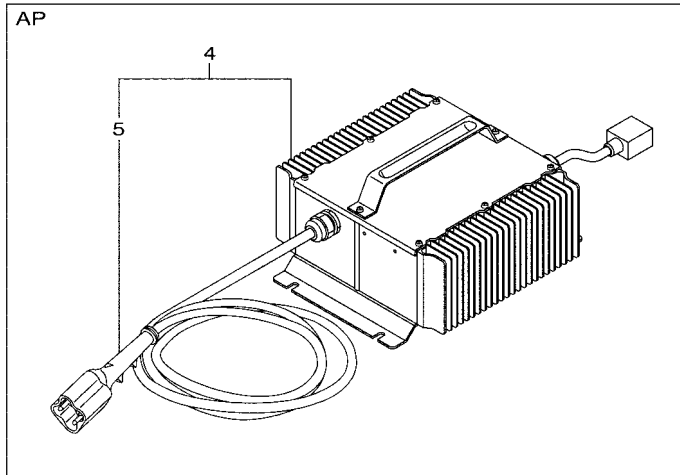
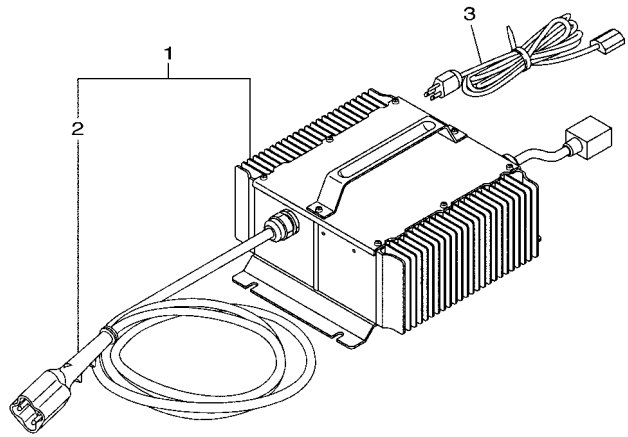


J0E5100-W200

FIG. 20 ELECTRICAL 1

REF. NO.	PART NO.	DESCRIPTION	JOES				REMARKS
28	90464-40825	CLAMP	2				
29	J0E-H6527-00	WIRE 7	1				
30	90464-20005	CLAMP	6				
31	90464-48800	CLAMP	3				
32	90464-51800	CLAMP	2				213X7.60
33	J0D-H21E0-03	USB ASSY	1				
34	J0D-H21E1-01	.PLUG, USB	1				
35	J0D-H21E2-01	.CABLE, USB	2				
36	J0D-H2114-00	.NUT	2				
37	90119-06868	BOLT, WITH WASHER	2				
38 *		BATTERY ASSY (8V, GC8)	6				LM
39	90461-14108	CLAMP	1				
40	90105-08867	BOLT, FLANGE	1				
41	1NS-F1338-00	CLAMP	4				
42	4LR-83371-11	HORN	1				
43	JR6-H270X-00	SWITCH	1				
44	95822-06016	BOLT, FLANGE	1				
45	95702-06500	NUT, FLANGE	1				
46	J0E-81910-01	VOLTAGE REGULATOR ASSY	1				
47	JC1-H252V-00	SCREW, SPECIAL	5				
48	JC1-H397K-10	NUT, INSERT	5				
49	J0E-F7876-00	BRACKET, SWITCH	1				
50	90105-06831	BOLT, FLANGE	2				
51	JW6-H2510-00	MAIN SWITCH ASSY	1				
52	JU6-H2511-10	.KEY, MAIN SWITCH	2				
53	5UG-H2579-00	.CAP, KEY	1				
54	JU6-H2569-00	.NUT, MAIN SWITCH	1				

FIG. 21 BATTERY CHARGER



REF. NO.	PART NO.	DESCRIPTION	JOE'S				REMARKS
1	JW2-H2107-51	CHARGER, BATTERY	1				
2	JW2-H7209-20	.CHARGE CORD ASSY	1				
3	JU2-H1962-20	CORD COMP. (100V)	1				
4	JW2-H2107-A1	CHARGER, BATTERY	1				AP
5	JW2-H7209-A0	.CHARGE CORD ASSY	1				

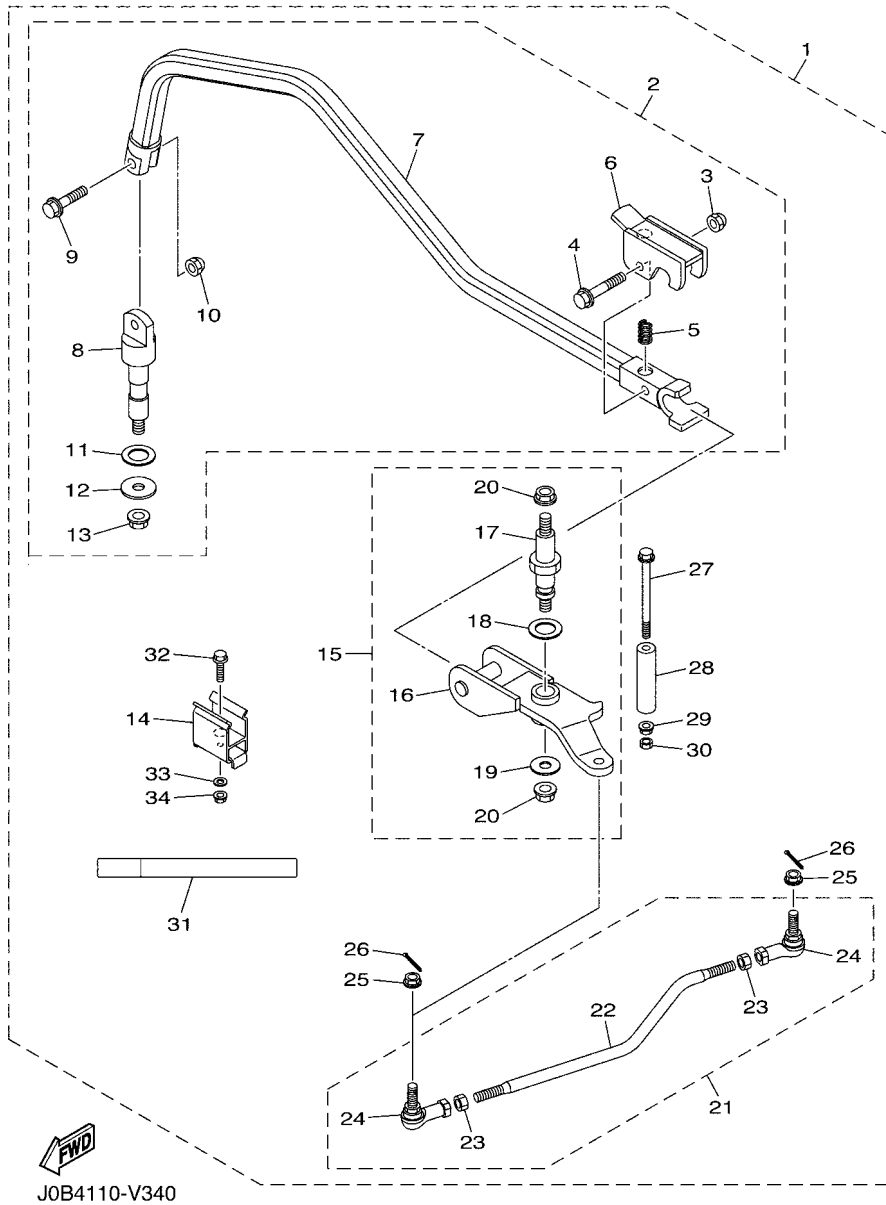
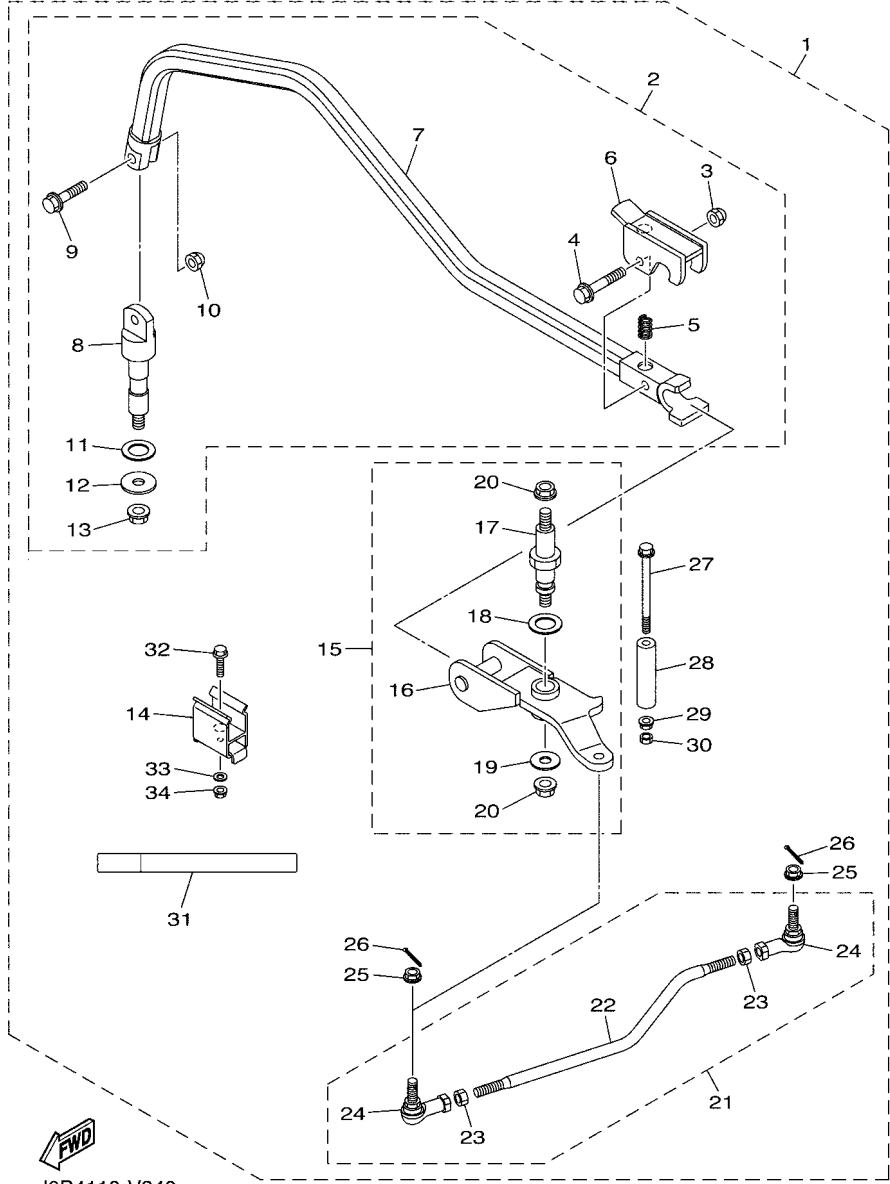


FIG. 22 ALTERNATE FOR CHASSIS

REF. NO.	PART NO.	DESCRIPTION	JOES				REMARKS
1	J0B-F722B-A3	BAR, TOW	1				AP
2	J0B-F389J-A0	.DRAW BAR ASSY	1				
3	J0B-F4681-00	..NUT, CAP	1				
4	95802-10050	..BOLT, FLANGE	1				
5	J0B-F178D-A0	..SPRING, HOOK	1				
6	J0B-F381J-A0	..BAR, HANDLE	1				
7	J0B-F7224-00	..BAR, PEDAL LINK	1				
8	J0B-F2141-00	..SHAFT, PIVOT	1				
9	95802-10035	..BOLT, FLANGE	1				
10	J0B-F4681-00	..NUT, CAP	1				
11	J0B-F3418-00	..WASHER, SPECIAL	1				
12	90201-128S4	..WASHER, PLATE	1				
13	95602-12200	..NUT, SELF-LOCKING	1				
14	J0B-F5522-00	.HOLDER	1				
15	J0B-F389K-A1	.ARM PIVOT ASSY	1				
16	J0B-F389G-00	..ARM, PIVOT	1				
17	J0B-F3849-A0	..SHAFT 1	1				
18	90201-208S8	..WASHER, PLATE	1				
19	J0B-F3392-00	..WASHER, SPECIAL	1				
20	95602-12200	..NUT, SELF-LOCKING	2				
21	J0B-F3880-A0	.TIE ROD ASSEMBLY 3	1				
22	J0B-F383A-00	..TIE ROD ASSEMBLY 3	1				
23	95302-10600	..NUT, HEXAGON	2				
24	J0B-F3841-A0	..JOINT, UNIVERSAL 1	2				
25	95602-10200	..NUT, S/L FLANGE	2				
26	91402-25020	..PIN, COTTER	2				
27	90105-088A9	..BOLT, FLANGE	1				

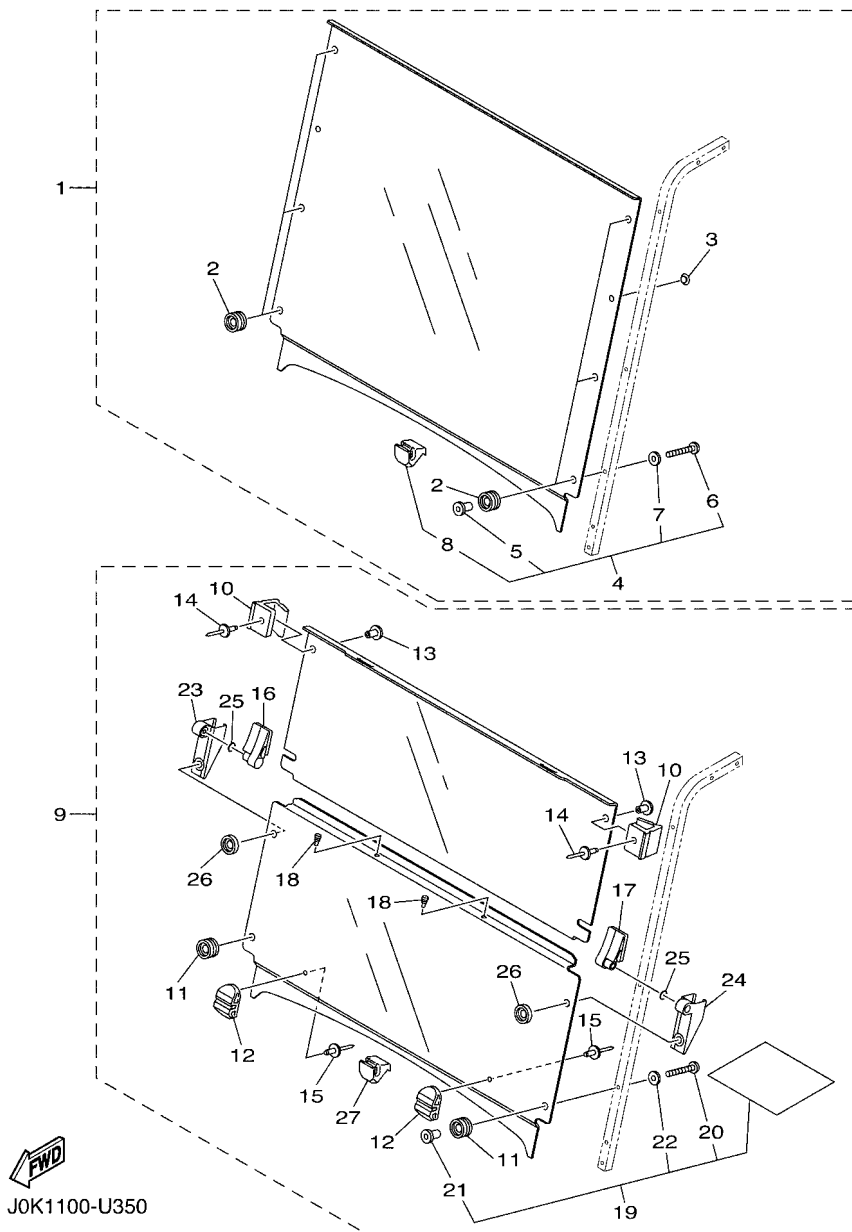
FIG. 22 ALTERNATE FOR CHASSIS



J0B4110-V340

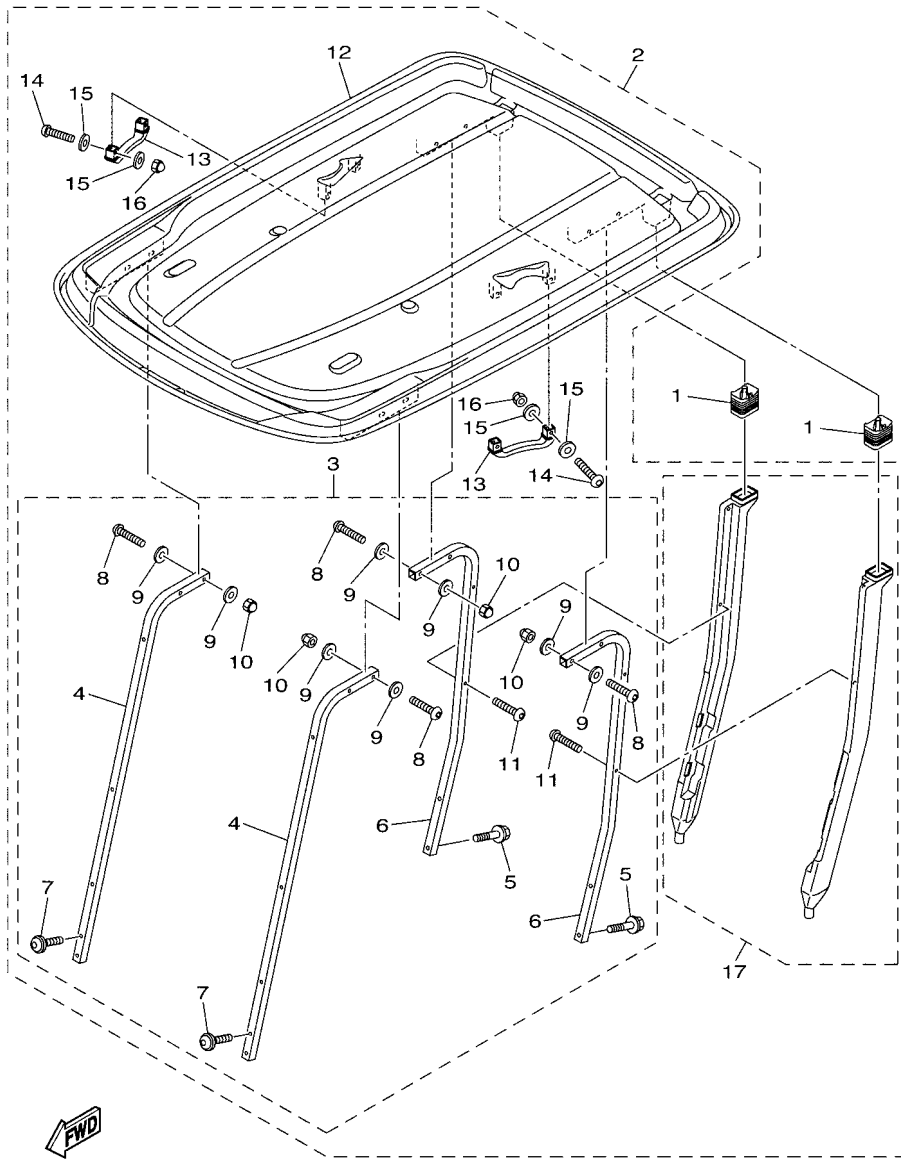
REF. NO.	PART NO.	DESCRIPTION	JOES				REMARKS
28	J0B-F3432-00	.STOPPER, STEERING 1	1				
29	95602-08200	.NUT, U FLANGE	1				
30	95602-08100	.NUT, U	1				
31	J0B-K7761-A0	.LABEL, WARNING 1	1				
32	95812-06025	.BOLT, FLANGE	1				
33	90201-06102	.WASHER, PLATE	1				
34	95602-06200	.NUT, SELF-LOCKING	1				

FIG. 23 ALTERNATE FOR WINDSHIELD



J0K1100-U350

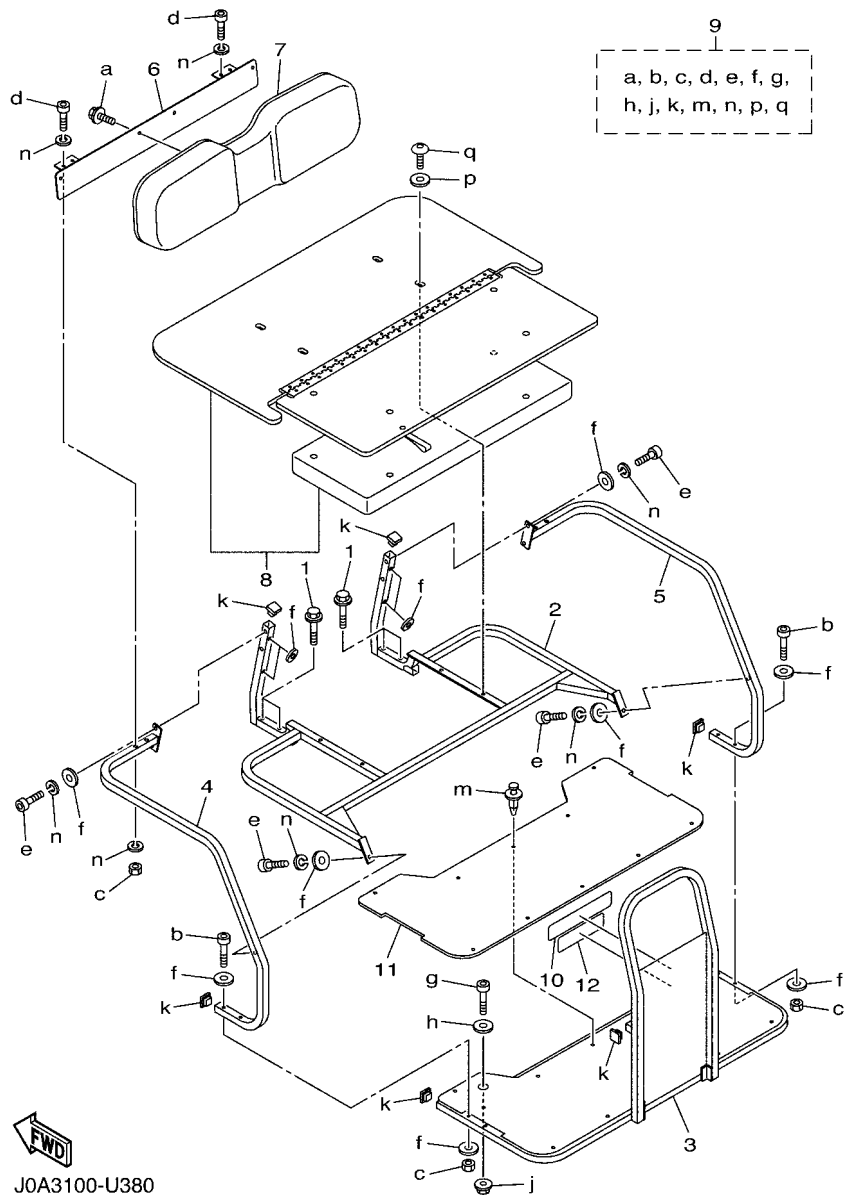
REF. NO.	PART NO.	DESCRIPTION	JOES				REMARKS
1	J0B-K7200-01	WINDSHIELD ASSY	1				UR AP CLEAR
	J0B-K7200-11	WINDSHIELD ASSY	1				UR AP SMOKE
2	J0B-K7237-00	.GROMMET	6				
3	J0B-K7238-00	.DAMPER	2				
4	J0B-K7240-01	.WIND SHIELD HARDWARE KIT 1	1				
5	J0B-K7217-00	..NUT, WIND SHIELD	6				
6	J0B-K7248-00	..SCREW 1	6				
7	J0B-K7218-00	..WASHER 1	6				
8	J0B-K838A-20	..RETAINER 1	1				
9	J0B-K7200-24	WINDSHIELD ASSY	1				UR AP CLEAR
	J0B-K7200-34	WINDSHIELD ASSY	1				UR AP SMOKE
10	J0B-K7173-21	..LEVER, LATCH 1	2				
11	J0B-K7237-00	.GROMMET	2				
12	J0B-K7257-20	.GROMMET, W/S 3	2				
13	J0G-K7155-C0	.RIVET 1	2				
14	J0G-K7156-C0	.RIVET 2	2				
15	J0B-K7155-20	.RIVET 1	2				
16	J0B-K7145-20	.HINGE 1	1				
17	J0B-K7146-20	.HINGE 2	1				
18	J0B-K7529-20	.SPACER, BUMPER	2				
19	J0B-K7240-20	.WIND SHIELD HARDWARE KIT 1	1				
20	J0B-K7248-00	..SCREW 1	4				
21	J0B-K7217-00	..NUT, WIND SHIELD	4				
22	J0B-K7218-00	..WASHER 1	4				
23	J0B-K7147-20	.HINGE 3	1				
24	J0B-K7148-20	.HINGE 4	1				
25	J0B-F3147-20	.O-RING	2				



J0A2100-T370

FIG. 24 ALTERNATE FOR SUN ROOF

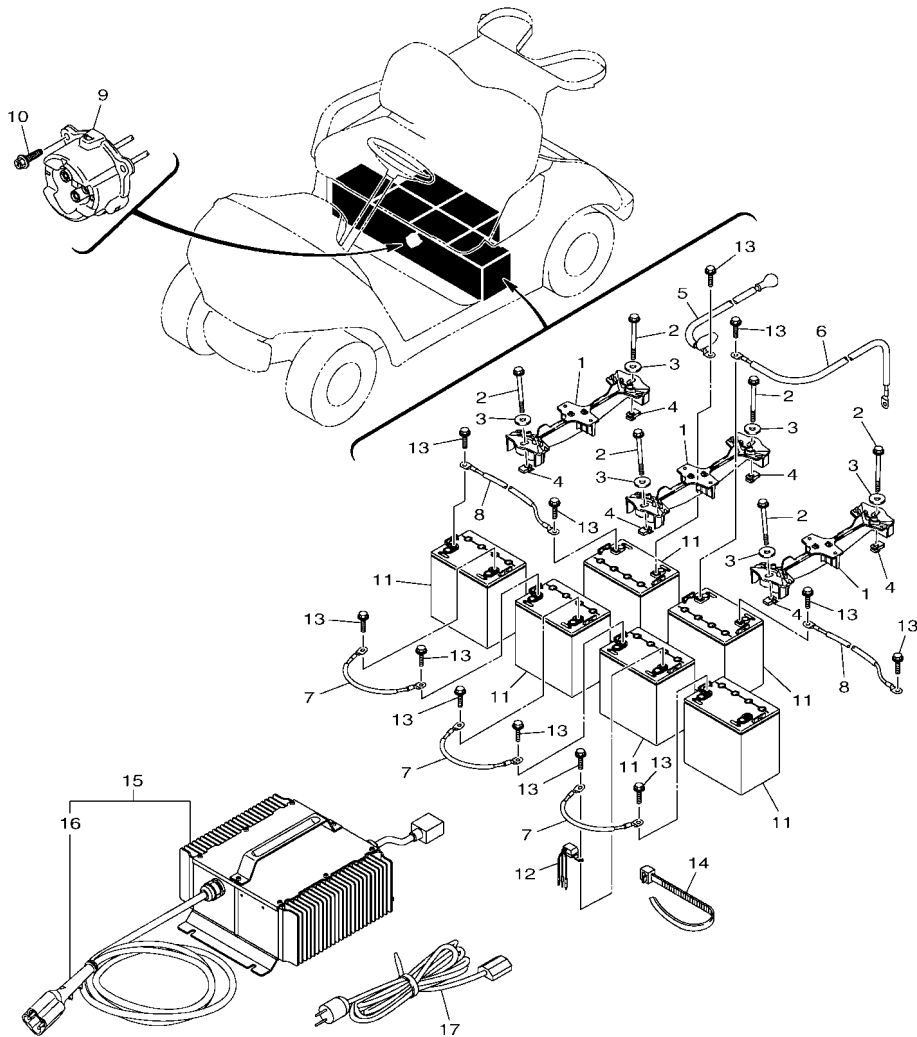
REF. NO.	PART NO.	DESCRIPTION	JOES				REMARKS
1	JW1-F414G-10	SEAL	2				
2	J0B-K84A0-00	SUN TOP KIT	1				UR AP TAN
	J0B-K84A0-10	SUN TOP KIT	1				UR AP BLACK
3	J0B-K84A2-00	.HARDWARE KIT, SUN TOP	1				
4	J0B-K8312-00	..SUPPORT, SUN ROOF 1	2				
5	JW1-K8388-00	..BOLT, ROOF 1	4				
6	JW1-K8313-01	..SUPPORT, SUN ROOF 2	2				
7	J0B-K8388-00	..BOLT, ROOF 1	4				
8	JU0-K8388-00	..BOLT, ROOF 1	8				
9	JW1-F1549-01	..WASHER, FENDER MOLD	16				
10	JU0-K8398-00	..NUT, ROOF 1	8				
11	JW1-K7387-00	..SCREW	4				
12	JW1-K8314-10	..COVER, SUN ROOF	1				UR TAN
	JW1-K8314-21	..COVER, SUN ROOF	1				UR BLACK
13	JW1-K8214-00	..GRIP, HAND	2				
14	JU0-K8388-00	..BOLT, ROOF 1	4				
15	JW1-F1549-01	..WASHER, FENDER MOLD	8				
16	JU0-K8398-00	..NUT, ROOF 1	4				
17	J0B-F417A-00	..DRAIN TUBE ASSY	1				



J0A3100-U380

FIG. 25 ALTERNATE FOR SEAT

REF. NO.	PART NO.	DESCRIPTION	J0ES	REMARKS
1	90109-08178	BOLT	4	
2	J0B-K8460-00	SEAT FRAME COMP.	1	
3	J0B-K8477-00	FLOOR ASSEMBLY	1	
4	J0B-K8473-00	HANDRAIL ASSEMBLY (LH)	1	
5	J0B-K8474-00	HANDRAIL ASSEMBLY (RH)	1	
6	J0B-K8432-00	BRACKET, SEAT SUPPORT 2	1	
7	J0B-K8402-00	SEAT SUB ASSY, BACK	1	UR TAN
	J0B-K8402-10	SEAT SUB ASSY, BACK	1	UR BLACK
8	J0B-K8480-00	SEAT BOTTOM COMPLETE 1	1	UR TAN
	J0B-K8480-10	SEAT BOTTOM COMPLETE 1	1	UR BLACK
9	J0B-F47E2-00	HARDWARE KIT, TANDEM SEAT	1	
10	J0B-K8483-00	LABEL WARNING	1	ENGLISH
11	J0B-K8466-00	MAT, RUBBER	1	
12	J0B-F1696-00	LABEL, CAUTION	1	ENGLISH



J0E5100-W260

FIG. 26 ALTERNATE FOR ELECTRICAL

REF. NO.	PART NO.	DESCRIPTION	JOES				REMARKS
1	J0S-H2136-00	PLATE, BATTERY FITTING	3				
2	J0S-H1892-00	BOLT, SPECIAL	6				
3	90201-08310	WASHER, PLATE	6				
4	JW9-K811K-00	NUT, TRIM FITTING	6				
5	J0S-H2115-00	WIRE, PLUS LEAD	1				
6	JC1-H2116-00	WIRE, MINUS LEAD	1				
7	JC1-H2127-00	WIRE, LEAD 2	3				
8	J0S-H2149-00	WIRE, LEAD 3	2				
9	J0S-H6181-00	RECEPTACLE	1				
10	JW1-F3394-00	BOLT, SPECIAL	3				
11 *		BATTERY ASSY (8V, T875-AGM)	6				LM
12	J0S-H3591-02	THERMO UNIT	1				
13	90119-08800	BOLT, WITH WASHER	12				
14	90464-48800	CLAMP	1				
15	J0S-H2107-00	CHARGER, BATTERY	1				
16	J0S-H7209-00	.CHARGE CORD ASSY	1				
17	JU2-H1962-00	CORD COMP. (220V)	1				

NUMERICAL INDEX

PART NO.	REF. NO.	PART NO.	REF. NO.	PART NO.	REF. NO.	PART NO.	REF. NO.	PART NO.	REF. NO.	PART NO.	REF. NO.
401-22128-01	3 - 16	J0E-F2210-10	1 - 12	JU0-F3857-20	4 - 5	JC0-F6280-11	15 - 1	J0H-F7872-00	6 - 37	JC1-H2127-00	26 - 7
2NL-23448-00	3 - 9		1 - 25	JW1-F3866-00	4 - 23	JC0-F6291-11	15 - 2	J0E-F7876-00	20 - 49	J0S-H2136-00	26 - 1
5KM-23448-00	1 - 41	JW9-F2417-00	2 - 9	2HC-F386B-00	1 - 54	JW8-F6314-00	6 - 22	J0G-F815H-10	6 - 42	JW9-H2136-00	20 - 1
2NL-23517-00	3 - 11	J0B-F2501-30	2 - 1	JW1-F387A-00	4 - 11	JW9-F632G-00	6 - 54	JC0-F831W-20	15 - 3	J0S-H2149-00	26 - 8
5UG-23517-10	1 - 42	JC1-F252M-11	2 - 4	JW1-F387E-00	4 - 14	J0B-F6341-00	5 - 1	JW8-F8323-00	6 - 25	JC1-H2149-00	20 - 8
2HR-23526-00	1 - 45	JW9-F2535-00	2 - 7	5UG-F387F-00	4 - 17	J0B-F6351-00	5 - 2	JW8-F8331-00	6 - 47	JU2-H218E-01	17 - 14
	3 - 3	J0S-F2537-03	2 - 18	5UG-F387G-00	4 - 15	JW8-F639N-00	6 - 10	JC0-F834N-20	15 - 4	J0D-H21E0-03	20 - 33
JW8-23841-01	4 - 26	J0B-F255G-00	2 - 2	5UG-F387J-00	4 - 18	JW8-F7118-00	6 - 41	JW8-F8363-00	6 - 8	J0D-H21E1-01	20 - 34
16B-2385L-10	1 - 49	J0B-F258E-10	2 - 12	5UG-F387K-00	4 - 16	JW8-F7119-00	6 - 29	J0S-G1148-00	8 - 16	J0D-H21E2-01	20 - 35
16B-2385M-10	1 - 50	J0B-F2873-01	12 - 15	J0B-F3880-A0	22 - 21	JW8-F7121-00	6 - 14	J0S-G2534-00	8 - 14	J0B-H2370-00	11 - 14
J38-27204-00	7 - 3	J0B-F2874-01	12 - 16	JW1-F3894-00	4 - 24	J0G-F7200-02	6 - 2	JC1-G2544-00	8 - 11	JW3-H2379-00	17 - 5
J38-27205-00	7 - 14	J0B-F3113-00	1 - 17	J0B-F389G-00	22 - 16	JW8-F7213-20	6 - 34	J0B-G3812-00	8 - 10	JW6-H2510-00	20 - 51
J55-27260-00	7 - 19		1 - 30	J0B-F389J-A0	22 - 2	JW8-F7217-00	6 - 32	J0S-G5148-00	8 - 15	JU6-H2511-10	20 - 52
J55-27270-00	7 - 8	JW7-F312H-00	5 - 5	J0B-F389K-A1	22 - 15	J0G-F7218-00	6 - 11	JW8-G5378-00	8 - 13	JC1-H252V-00	20 - 47
J10-27282-00	7 - 5	J0G-F3145-00	6 - 57	JW1-F414G-10	24 - 1	JW9-F7221-00	6 - 15	J0S-G6290-00	8 - 3	JU6-H2569-00	20 - 54
	7 - 16	J0B-F3147-20	23 - 25	J0B-F4161-00	11 - 2	J0B-F7224-00	22 - 7	J0S-G6301-01	8 - 1	5UG-H2579-00	20 - 53
J0E-81910-01	20 - 46	JW1-F3183-00	4 - 12	J0B-F417A-00	24 - 17	JW9-F7228-00	6 - 24	J0S-G6314-00	8 - 4	J0E-H2590-12	20 - 13
JF7-82817-22	20 - 25	JW8-F3183-00	6 - 17	JW8-F41B8-00	6 - 51	J0B-F722B-A3	22 - 1	J0S-G6320-00	8 - 7	JR6-H270X-00	20 - 43
4LR-83371-11	20 - 42	J0E-F3350-00	3 - 14	JW8-F4486-00	6 - 44	JW9-F7231-10	6 - 19	J0S-G6350-00	8 - 8	JW2-H2727-00	19 - 2
J0B-F125J-00	2 - 22	J0E-F3390-00	3 - 19		6 - 48	JW9-F7232-00	6 - 20	J0B-G6410-00	8 - 5	JU2-H2917-00	20 - 9
1NS-F1338-00	8 - 20	J0B-F3392-00	22 - 19	JW9-F4648-20	6 - 50	JW9-F7245-10	6 - 30	JW9-G6421-00	8 - 6	J0D-H333B-00	11 - 15
	20 - 41	JW1-F3394-00	20 - 24	JW1-F467K-00	4 - 22	JW9-F7246-20	6 - 46	JW3-G6521-00	9 - 6	J0D-H334B-00	11 - 16
	1 - 10		26 - 10	J0B-F4681-00	22 - 3	JW9-F7263-00	6 - 49	J0S-G7339-00	8 - 9	JR1-H3383-02	20 - 21
J0S-F139W-10	1 - 4	JW1-F3400-01	4 - 10		22 - 10	JW8-F7280-10	7 - 1	J0E-G7491-00	1 - 48	JN6-H3386-01	20 - 22
J0S-F141K-10	1 - 5	J0B-F3418-00	22 - 11	J0B-F47E2-00	25 - 9	JW8-F7281-00	7 - 4	JW3-H1117-10	17 - 6	JC1-H351B-01	20 - 55
J0S-F141L-10	1 - 6	J0B-F3432-00	22 - 28	JC1-F5100-01	3 - 32		7 - 15	JW3-H1155-00	17 - 4	J0D-H3547-00	18 - 8
J0S-F1485-00	1 - 8	J0B-F3447-00	12 - 2		9 - 5	JW8-F7286-00	7 - 9	JC1-H1441-00	20 - 10		18 - 20
J0B-F1531-00	1 - 8		12 - 5	JC1-F5103-10	3 - 21		7 - 20	JW3-H165G-00	17 - 7	J0S-H3591-02	26 - 12
JW1-F1549-01	24 - 9		12 - 13	JC1-F5110-01	3 - 22	JW8-F7290-10	7 - 12	JW9-H1674-00	16 - 1	J0D-H360G-00	12 - 20
	24 - 15		3 - 4	JW8-F5118-00	9 - 7	J0G-F7313-00	6 - 12	JW3-H182J-00	17 - 8	J0D-H360H-00	12 - 21
J0B-F1696-00	25 - 12	JU0-F3511-20	3 - 5	JN6-F5118-01	3 - 30	JW8-F7316-01	6 - 31	JW3-H182V-00	17 - 10	JW3-H3756-00	17 - 3
J0B-F1738-00	2 - 6	JW1-F3512-00	3 - 5	J0B-F518F-00	9 - 9	JW8-F7317-00	6 - 40	JW3-H183J-00	17 - 2	JC1-H397K-10	20 - 48
	12 - 9	JU0-F3521-20	3 - 12	J0B-F518G-00	9 - 10	JW8-F7318-00	6 - 21	JW3-H1869-00	17 - 9	J0D-H4110-01	18 - 1
	12 - 14	5UG-F3527-01	4 - 20	J0B-F5310-10	9 - 1	JW8-F7322-00	6 - 16	JW3-H1890-10	17 - 1	J0D-H411T-01	18 - 3
	16 - 5	J0B-F3570-10	3 - 1	J0B-F537W-00	1 - 19	J0E-F7411-01	2 - 5	J0S-H1892-00	26 - 2	J0D-H411U-01	18 - 15
	16 - 7	2HC-F3583-00	1 - 53		1 - 32	J0G-F7416-00	6 - 9	JW9-H1892-00	20 - 2	J0D-H4170-01	18 - 13
JW1-F1738-00	2 - 8	J0G-F3811-00	4 - 1	J0B-F53A1-01	1 - 13	JW8-F7426-01	6 - 18	JU6-H1950-00	20 - 17	J0D-H4195-00	18 - 10
	2 - 11	JW1-F3812-00	4 - 13		1 - 26	JW8-F7434-00	6 - 39	JU2-H1962-00	26 - 17		18 - 22
J0E-F1781-40	12 - 18	J0B-F381J-A0	22 - 6	JW8-F5415-00	6 - 26	JW8-F7435-00	6 - 56	JU2-H1962-20	21 - 3	J0D-H4300-00	18 - 2
J0E-F1781-50	12 - 18	JW1-F3822-01	4 - 28	J0B-F5522-00	22 - 14	JW8-F7438-00	6 - 38	J0S-H2107-00	26 - 15		18 - 14
J0E-F1782-40	12 - 19	JU0-F3828-10	4 - 4	JW9-F5666-00	6 - 13	J0H-F7445-10	6 - 33	JW2-H2107-51	21 - 1	J0D-H431U-00	18 - 26
J0E-F1782-50	12 - 19	1P0-F3833-00	4 - 25	J0G-F5671-00	6 - 4	J0G-F7814-00	6 - 23	JW2-H2107-A1	21 - 4	J0D-H4385-00	18 - 4
J0B-F178D-A0	22 - 5	JW1-F3837-00	4 - 21	JW9-F5673-00	6 - 45	JW8-F7814-21	6 - 3	J0D-H2114-00	20 - 36	J0D-H4386-00	18 - 16
J0S-F1828-00	8 - 17	J0B-F3838-00	4 - 6	JW8-F5681-10	5 - 6	J0G-F7825-00	6 - 28	J0S-H2115-00	26 - 5	J0D-H4387-00	18 - 33
J0S-F2110-10	1 - 3	J0B-F383A-00	22 - 22	JN6-F5685-01	5 - 7	J0H-F7850-20	6 - 1	JC1-H2115-00	20 - 5	JC0-H4514-01	18 - 28
J0B-F2127-00	2 - 14	J0B-F3841-A0	22 - 24	JW9-F5827-00	6 - 53	J0H-F7853-10	6 - 35	JC1-H2116-00	20 - 6		18 - 35
J0B-F2141-00	22 - 8	5UG-F3844-00	4 - 19	JW9-F5827-10	6 - 53	J0G-F7854-00	6 - 5		26 - 6	J0D-H4524-00	18 - 9
J0S-F2171-00	1 - 40	J0B-F3849-A0	22 - 17	J0G-F5922-00	6 - 43	J0G-F7871-01	6 - 36	JC1-H2127-00	20 - 7		18 - 21
JW9-F2198-11	2 - 10	JU0-F3857-20	4 - 3								

NUMERICAL INDEX

PART NO.	REF. NO.	PART NO.	REF. NO.	PART NO.	REF. NO.	PART NO.	REF. NO.	PART NO.	REF. NO.	PART NO.	REF. NO.
J0D-H4526-00	18 - 6	J0B-K7247-00	23 - 26	J0D-K8115-A0	11 - 1	J1B-K832G-00	11 - 25	90105-08867	2 - 13	90201-10035	1 - 51
	18 - 18	J0B-K7248-00	23 - 6	J0D-K8115-T0	11 - 1	JW1-K8340-00	14 - 3		20 - 40	90201-121H8	7 - 11
J0D-H4700-01	18 - 27		23 - 20	J0D-K8115-U0	11 - 1	JW1-K834G-00	14 - 9	90105-088A9	22 - 27		7 - 22
	18 - 34	J0B-K7257-20	23 - 12	J0D-K8115-V0	11 - 1	JN6-K8355-20	14 - 8	90105-088B6	2 - 17	90201-121H9	7 - 10
J0D-H4710-01	18 - 25	JW7-K7329-00	12 - 8	JW9-K811K-00	20 - 4	JF2-K8356-00	14 - 7	90105-10185	1 - 43		7 - 21
J0D-H4718-00	18 - 29	J0B-K7363-00	4 - 35		26 - 4	J0D-K8357-00	4 - 31	90105-10219	3 - 8	90201-128S4	22 - 12
	18 - 36	J0B-K7387-00	4 - 33	J0C-K8141-00	12 - 10	J0B-K8358-00	4 - 32	90105-10267	1 - 46	90201-20035	9 - 8
J0D-H4726-00	18 - 7	JW1-K7387-00	24 - 11	J0C-K8141-30	12 - 10	J0B-K835E-00	11 - 11		3 - 13	90201-208S8	22 - 18
	18 - 19	JW1-K7387-20	15 - 5	J0C-K8141-70	12 - 10	J0B-K8361-00	16 - 4		3 - 20	90208-14801	3 - 28
J0D-H4730-01	18 - 32	J0B-K7389-00	14 - 5	J0C-K8141-80	12 - 10	J0B-K8362-00	16 - 6	90105-10373	3 - 6	90215-06811	17 - 12
J0D-H5490-01	18 - 5	J0B-K7510-01	10 - 1	J0C-K8141-90	12 - 10	JN6-K8380-00	14 - 12	90105-10847	4 - 27	90249-14129	5 - 10
	18 - 17	J0B-K7529-20	23 - 18	J0C-K8141-A0	12 - 10	J0B-K8388-00	1 - 11	90109-08178	14 - 2	90267-64844	2 - 19
J0E-H554E-10	20 - 14	J0B-K7540-00	10 - 7	J0C-K8141-T0	12 - 10		24 - 7		25 - 1	90269-06804	11 - 5
J0J-H554E-30	20 - 15	JU0-K7573-00	11 - 3	J0C-K8141-U0	12 - 10	JU0-K8388-00	24 - 8	90110-06125	16 - 9		13 - 4
J0E-H554E-50	20 - 16	J0C-K7741-00	11 - 10	J0C-K8141-V0	12 - 10		24 - 14	90111-05805	11 - 12		13 - 7
JW9-H5885-00	6 - 52	J0B-K7761-A0	22 - 31	J0B-K8164-00	10 - 2	JW1-K8388-00	24 - 5	90114-12006	9 - 2		13 - 9
J0S-H6181-00	26 - 9	J0D-K7762-20	4 - 37	J1B-K816M-00	2 - 15	J0B-K838A-20	23 - 8	90114-12805	3 - 23		13 - 11
JW9-H6181-10	20 - 23	J0D-K7762-30	4 - 37	J0B-K817H-00	12 - 23		23 - 27	90119-06808	16 - 11	90269-07805	11 - 21
J0E-H6510-02	19 - 1	J0D-K7762-40	4 - 37	J0B-K817H-10	12 - 23	JU0-K8398-00	24 - 10	90119-06868	20 - 37		11 - 23
J0E-H6527-00	20 - 29	J0D-K7768-00	11 - 8	J0B-K817J-00	12 - 24		24 - 16	90119-08800	26 - 13		12 - 3
J0S-H7209-00	26 - 16	J0D-K7768-10	11 - 8	J0B-K817J-10	12 - 24	J0A-K8401-10	16 - 3	90159-06845	14 - 13		12 - 6
JW2-H7209-20	21 - 2	J0D-K7768-20	11 - 8	J0B-K818A-00	13 - 2	J0B-K8402-00	25 - 7	90170-10840	8 - 12		12 - 11
JW2-H7209-A0	21 - 5	J0D-K7768-30	11 - 8	J0B-K818B-00	13 - 5	J0B-K8402-10	25 - 7	90176-06008	14 - 6	90269-08001	11 - 7
	4 - 36	J0B-K7768-40	11 - 8	J0B-K8191-00	13 - 8	JW1-K8402-10	16 - 10	90179-05807	20 - 18	90269-09003	11 - 18
J0B-K7145-20	23 - 16	J0D-K8111-00	12 - 1	J0B-K8192-00	13 - 10	J0B-K8423-00	14 - 1	90179-08822	5 - 8		13 - 3
J0B-K7146-20	23 - 17	J0D-K8111-30	12 - 1	J0B-K819H-00	12 - 7	J0B-K8426-01	16 - 8	90179-08824	20 - 19		13 - 6
J0B-K7147-20	23 - 23	J0D-K8111-70	12 - 1	JW1-K8214-00	24 - 13	JW1-K8427-00	16 - 2	90179-12262	3 - 31	90381-17800	3 - 10
J0B-K7148-20	23 - 24	J0D-K8111-80	12 - 1	J0B-K821A-00	2 - 21	J0B-K8432-00	25 - 6		9 - 4	90381-17803	1 - 18
J0B-K7155-20	23 - 15	J0D-K8111-90	12 - 1	J0D-K8233-10	11 - 17	J0B-K8460-00	25 - 2	90179-20016	9 - 3		1 - 31
J0G-K7155-C0	23 - 13	J0D-K8111-A0	12 - 1	J0B-K8237-02	12 - 12	J0B-K8466-00	25 - 11	90183-05008	11 - 13	90381-18801	3 - 2
J0G-K7156-C0	23 - 14	J0D-K8111-T0	12 - 1	J0B-K8243-00	11 - 20	J0B-K8473-00	25 - 4	90183-08800	18 - 11	90386-12800	6 - 27
J0B-K7173-21	23 - 10	J0D-K8111-U0	12 - 1	J0B-K8244-00	11 - 22	J0B-K8474-00	25 - 5		18 - 23	90387-12016	3 - 15
J0C-K7178-00	15 - 6	J0D-K8111-V0	12 - 1	J0B-K8271-01	13 - 1	J0B-K8477-00	25 - 3		18 - 30	90387-241M7	3 - 26
J0B-K7200-01	23 - 1	J0D-K8112-00	12 - 4	J0B-K8273-10	11 - 19	J0B-K8480-00	25 - 8		18 - 37	90445-10056	8 - 18
J0B-K7200-11	23 - 1	J0D-K8112-30	12 - 4	J0C-K827A-00	12 - 17	J0B-K8480-10	25 - 8	90185-06836	14 - 11	90445-143G1	8 - 19
J0B-K7200-24	23 - 9	J0D-K8112-70	12 - 4	J0D-K8282-00	11 - 9	J0B-K8483-00	25 - 10	90185-10012	1 - 44	90461-14108	20 - 39
J0B-K7200-34	23 - 9	J0D-K8112-80	12 - 4	JW9-K8297-01	12 - 22	J0B-K84A0-00	24 - 2		1 - 52	90464-20005	20 - 30
J0C-K7212-10	15 - 8	J0D-K8112-90	12 - 4	JW9-K8297-11	12 - 22	J0B-K84A0-10	24 - 2	90185-12008	4 - 7	90464-25826	20 - 12
J0B-K7217-00	23 - 5	J0D-K8112-A0	12 - 4	JW9-K8297-40	12 - 22	J0B-K84A2-00	24 - 3	90185-12810	3 - 18	90464-40825	20 - 28
	23 - 21	J0D-K8112-T0	12 - 4	JW2-K8298-10	2 - 20	JN9-W2536-11	7 - 2	90185-12811	1 - 21	90464-48800	20 - 31
JW1-K7217-10	15 - 7	J0D-K8112-U0	12 - 4	JW2-K8298-50	2 - 20		7 - 13		1 - 34		26 - 14
J0B-K7218-00	23 - 7	J0D-K8112-V0	12 - 4	J0B-K8312-00	24 - 4	90101-069U0	17 - 11		4 - 9	90464-51800	20 - 32
	23 - 22	J0E-K8114-01	11 - 6	JW1-K8313-01	24 - 6	90105-06831	2 - 16	90201-04810	4 - 34	90464-76800	2 - 23
J0B-K7237-00	23 - 2	J0D-K8115-00	11 - 1	JW1-K8314-10	24 - 12		11 - 4	90201-05824	6 - 55		20 - 11
	23 - 11	J0D-K8115-30	11 - 1	JW1-K8314-21	24 - 12		20 - 20	90201-06102	22 - 33	90467-10846	8 - 21
J0B-K7238-00	23 - 3	J0D-K8115-70	11 - 1	J0B-K832F-00	11 - 24		20 - 50	90201-068E2	17 - 13	90468-20196	5 - 4
J0B-K7240-01	23 - 4	J0D-K8115-80	11 - 1	J1B-K832F-00	11 - 24	90105-06833	19 - 5	90201-08310	20 - 3	90480-13016	18 - 12
J0B-K7240-20	23 - 19	J0D-K8115-90	11 - 1	J0B-K832G-00	11 - 25	90105-082A0	7 - 23		26 - 3		18 - 24

NUMERICAL INDEX

PART NO.	REF. NO.	PART NO.	REF. NO.	PART NO.	REF. NO.	PART NO.	REF. NO.	PART NO.	REF. NO.	PART NO.	REF. NO.
90480-13016	18 - 31	95702-08500	1 - 36								
	18 - 38	95802-10035	22 - 9								
90506-14001	7 - 7	95802-10050	22 - 4								
	7 - 18	95812-06025	22 - 32								
90506-20281	7 - 6	95812-08016	1 - 55								
	7 - 17		10 - 3								
91402-25020	22 - 26	95812-08020	4 - 2								
91490-25015	5 - 13		6 - 58								
91702-08018	5 - 12	95812-08040	2 - 3								
91702-10026	5 - 3	95812-08050	10 - 4								
92017-06040	14 - 4	95812-08060	1 - 22								
92902-05600	20 - 27		1 - 35								
92902-08600	4 - 30	95812-10020	1 - 1								
92902-12200	4 - 8	95812-10055	1 - 38								
92907-08600	19 - 4	95812-12055	1 - 20								
9299R-06200	14 - 14		1 - 33								
93102-30083	3 - 27	95812-12080	3 - 17								
93106-38046	1 - 16	95822-06012	10 - 6								
	1 - 29	95822-06016	20 - 44								
93210-19001	1 - 24	95822-10020	1 - 7								
	1 - 37	97012-06020	6 - 7								
93306-005X3	3 - 25	97012-08030	4 - 29								
93306-006X0	1 - 14	97027-08016	19 - 3								
	1 - 27	9708R-06020	14 - 10								
93306-006Y4	1 - 15	98502-05025	20 - 26								
	1 - 28	99001-09600	5 - 11								
93306-007Y0	8 - 2										
93306-254Y8	3 - 24										
93450-22119	9 - 11										
95302-08700	10 - 5										
95302-10600	22 - 23										
95307-08700	5 - 9										
95602-06200	22 - 34										
95602-08100	22 - 30										
95602-08200	22 - 29										
95602-10200	1 - 2										
	1 - 9										
	1 - 39										
	1 - 47										
	3 - 7										
	10 - 8										
	22 - 25										
95602-12200	22 - 13										
	22 - 20										
95602-14100	3 - 29										
95607-06200	6 - 6										
95702-06500	20 - 45										
95702-08500	1 - 23										