



# PARTS CATALOGUE

## DR2E20 PTV ( J0E4 ) CANADA, EUROPE, OTHERS

---



NEWS No.	DATE	COMMENT
PE0-GC-200009	May.,15,2020	COR:HEAD & TAIL LIGHT ILLUSTRATION CORRECTION

1VJ0E-100E1

( )

2020/06/05

DR2E20 PTV  
PARTS CATALOGUE  
©2020 by Yamaha Motor Co., Ltd.  
1st edition, June 2020  
All rights reserved.  
Any reprinting or unauthorized use  
without the written permission of  
Yamaha Motor Co., Ltd.  
is expressly prohibited.  
Printed in Japan.

# FOREWORD

This Parts Catalogue is related to the parts for the model(s) on the cover page. When you are ordering replacement parts, please refer to this Parts Catalogue and quote both part numbers and part names correctly.

1. Modifications or additions which have been made after the issue of the Parts Catalogue will be announced in the Parts News.  
It is advisable that you make the necessary corrections to the Parts Catalogue according to the Parts News.

2. Abbreviations

The following abbreviations are used in this Parts Catalogue.

“UR” Use specified parts number.

“UN” Use as many as needed.

“AP” Alternate Parts

“LM” Locally Made (Parts need to be ordered locally)

“F#” Frame No. (Applicable machine No.)

“O/S” Over Size

3. The number of components for assembly

- Parts, which are to be supplied in an assembly, are listed with a dot (.) in front of the part name as shown below.
- The numeral appearing to the right of each component part indicates the quantity of parts for each assembly unit.

PART NO.	DESCRIPTION	Q'TY	REMARKS
2F5-83310-60	FRONT FLASHER LIGHT ASSY	2	
115-83311-60	.BULB (6V-18W)	1	

4. Applicable colours of graphics are represented in the “REMARKS” as shown below.

PART NO.	DESCRIPTION	Q'TY	REMARKS
2N4-24110-00-X5	FUEL TANK COMP.	2	MXR
3J1-24240-10	.GRAPHIC, FUEL TANK	1	FOR MXR

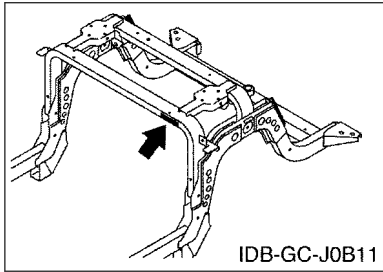
5. Note that the illustrations for reference in finding parts numbers are not to be used for assembling. When assembling, please use the applicable service manual.

6. The asterisk (\*) before a reference number indicates modified items after the first edition.

# FOREWORD

## 7. Applicable Serial No.

Frame Serial No.



## 8. Applicable Colour Code (The (\*) mark shows Model colour.)

Abbreviation	Colour Name	Colour Code
BMG(*)	BLACK METALLIC G	1050
BW1(*)	BLUISH WHITE 1	1571
DNBME(*)	DARK GRAYISH BLUE METALLIC E	0866
DRMV(*)	DEEP RED METALLIC V	1365
LNMP(*)	LIGHT GRAY METALLIC P	0925
MDNM7(*)	MAT DARK GRAY METALLIC 7	1606
MDOM1(*)	MAT DEEP ORANGE METALLIC 1	1778
MNYM2(*)	MAT GRAYISH YELLOW METALLIC 2	1749
VPBM6(*)	VIVID PURPLISH BLUE METALLIC 6	1002

## 9. Quantity Column Information

Column No.	Name Of Q'ty Column	Destination
1	J0E4	CANADA, EUROPE, OTHERS

## 10. Applicable Starting Serial No.

Frame Serial No.

Serial No.	Name Of Q'ty Column	Model Code
J0E-300101	J0E4	J0E4

# CONTENTS

## BODY

REAR ARM & SUSPENSION.....	1
FRAME.....	2
FRONT SUSPENSION.....	3
STEERING.....	5
PEDAL WIRE.....	7
PEDAL ASSEMBLY.....	8
BRAKE.....	11

## DRIVE

TRANSAXLE.....	12
WHEEL.....	14
BUMPER.....	15
BODY.....	16
BODY 2.....	18
BODY FITTING.....	20
CARRIER.....	21
REAR VIEW MIRROR.....	22
SEAT.....	23

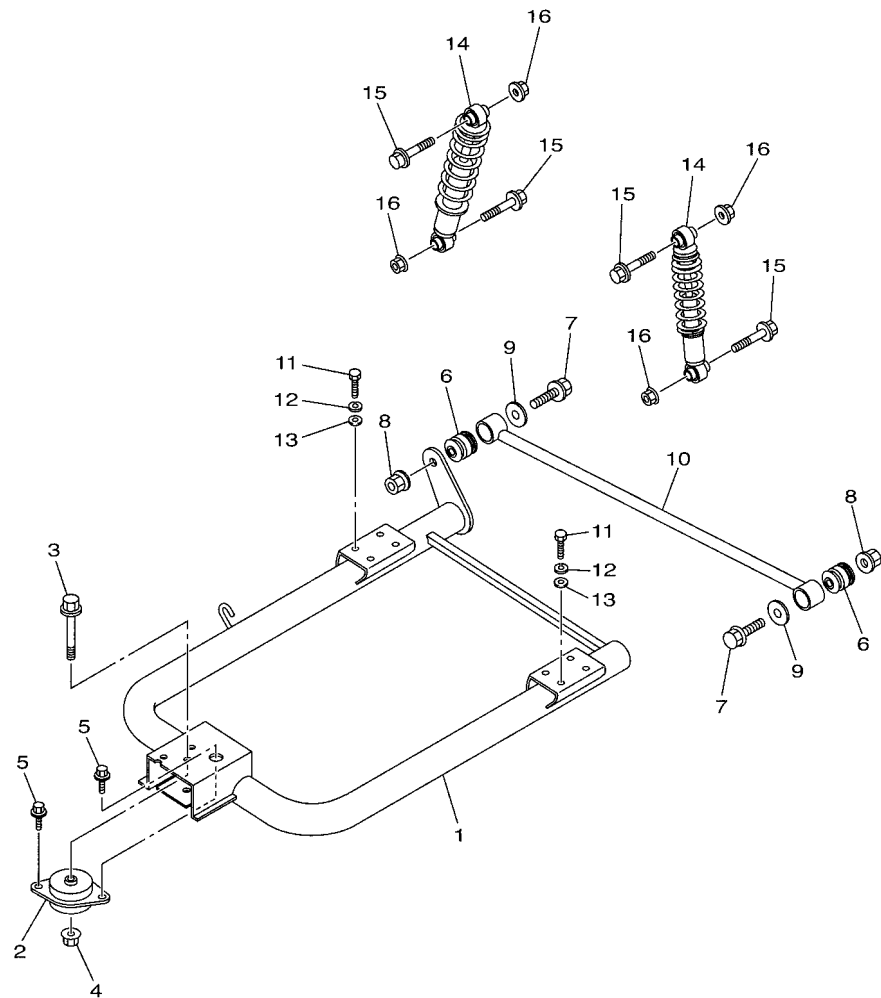
## ELECTRICAL

ELECTRIC MOTOR.....	24
HEAD & TAIL LIGHT.....	25
CONTROLLER 1.....	27
ELECTRICAL 1.....	28
BATTERY CHARGER.....	30
ALTERNATE FOR CHASSIS.....	31
ALTERNATE FOR WINDSHIELD.....	33
ALTERNATE FOR SUN ROOF.....	35
ALTERNATE FOR SEAT.....	36

## INDEX

NUMERICAL INDEX.....	37
----------------------	----

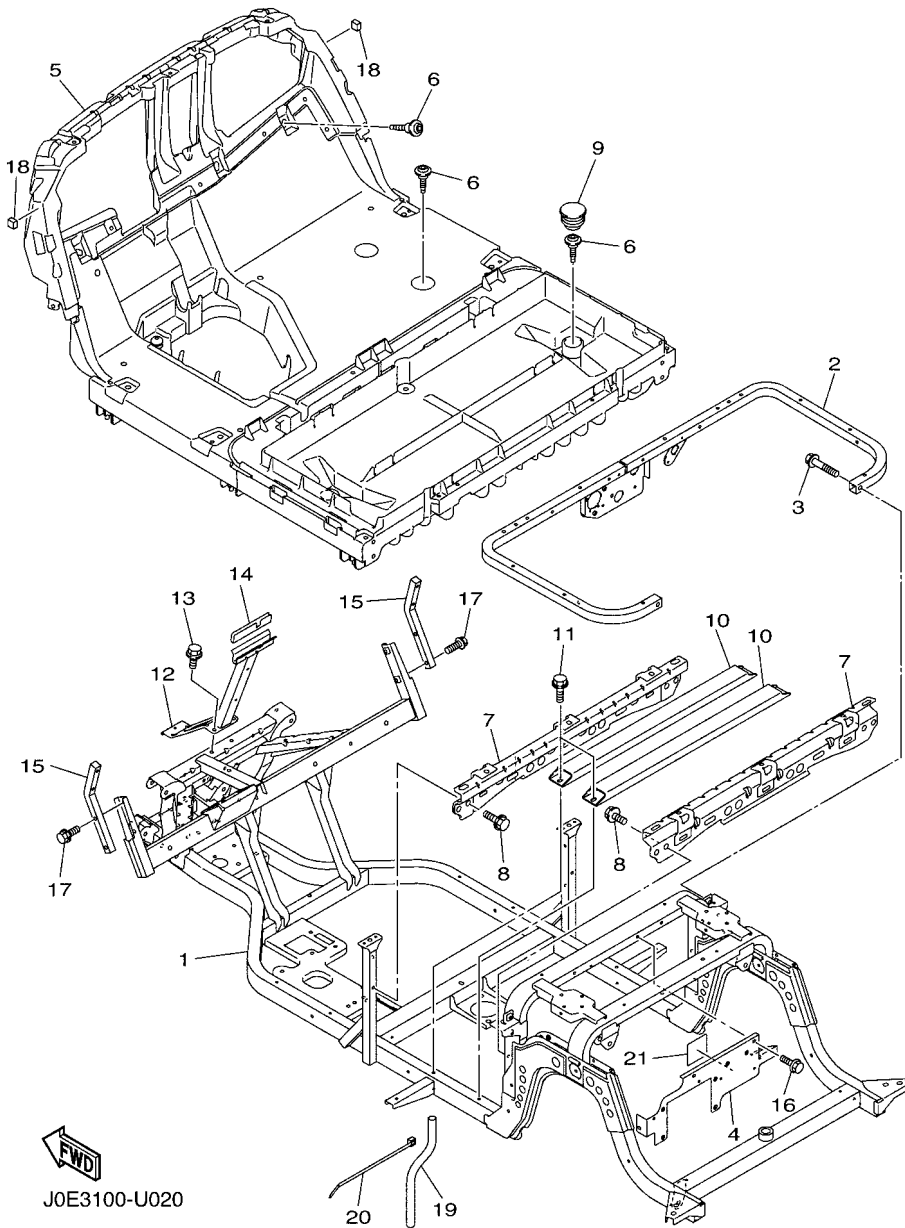
**FIG. 1 REAR ARM & SUSPENSION**



REF. NO.	PART NO.	DESCRIPTION	JOE4				REMARKS
1	J0C-F2110-00	REAR ARM COMP.	1				
2	JN6-F2123-20	BUSH 1	1				
3	90105-13800	BOLT, FLANGE	1				
4	90179-13800	NUT	1				
5	90119-10044	BOLT, WITH WASHER	2				
6	JN6-F2124-10	BUSH 2	2				
7	95812-12065	BOLT, FLANGE	2				
8	90185-12811	NUT, SELF-LOCKING	2				
9	90201-128S4	WASHER, PLATE	2				
10	JW1-F217G-10	ROD, CONNECTING 2	1				
11	97012-10020	BOLT	8				
12	92902-10100	WASHER, SPRING	8				
13	92902-10600	WASHER, PLATE	8				
14	J0E-F2210-00	SHOCK ABSORBER ASSY, REAR	2				
15	95812-10055	BOLT, FLANGE	4				
16	95602-10200	NUT, S/L FLANGE	4				



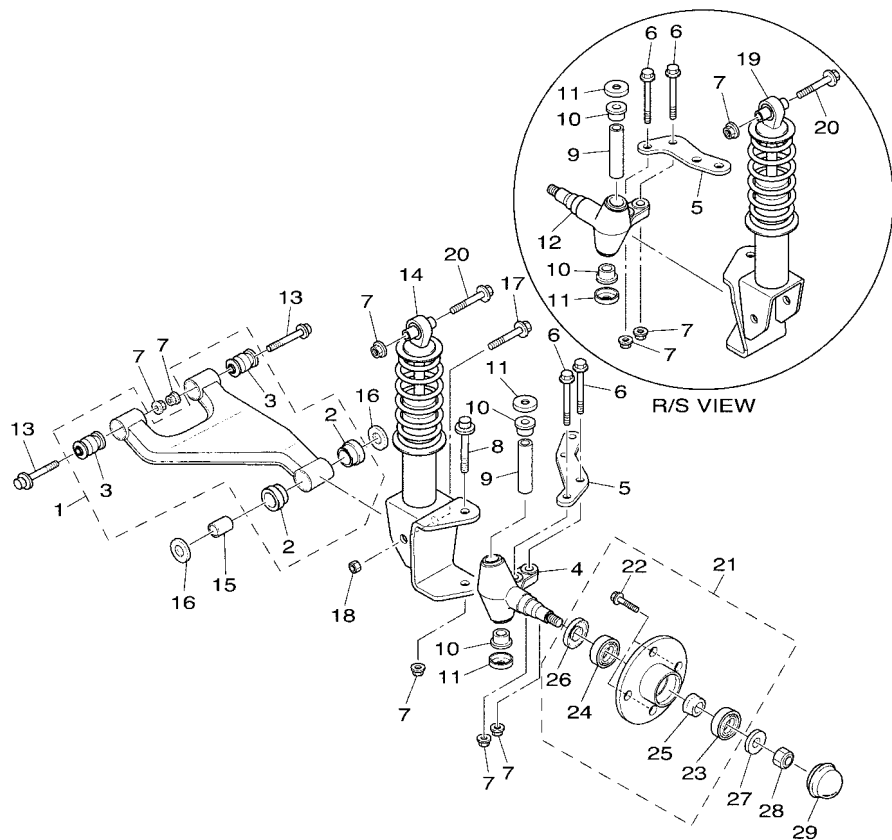
J0C1110-S010



**FIG. 2 FRAME**

REF. NO.	PART NO.	DESCRIPTION	JOE4		REMARKS
1	J0A-F2501-10	FRAME COMP.	1		
2	J0B-F255G-00	MEMBER, SEAT SUPPORT	1		
3	95812-08040	BOLT, FLANGE	2		
4	JC1-F252M-10	BRACKET, 3	1		
5	J0E-F7411-01	FOOTREST 1	1		
6	J0B-F1738-00	BOLT	9		
7	JW9-F2535-00	STAY, BATTERY 1	2		
8	JW1-F1738-00	BOLT	4		
9	JW9-F2417-00	PLUG	2		
10	JW9-F2198-10	MEMBER, CROSS	2		
11	JW1-F1738-00	BOLT	4		
12	J0B-F258E-10	SUPPORT, FRONT COWL	1		
13	90105-08867	BOLT, FLANGE	2		
14	J0B-F2127-00	SHIM	1		
15	J1B-K816M-00	SUPPORT, HOLDER	2		
16	90105-06831	BOLT, FLANGE	2		
17	90105-088B6	BOLT, FLANGE	4		
18	J0B-K821A-00	PAD, BODY MOUNTING1	2		
19	J0B-F125J-00	PIPE, DRAIN	2		
20	90464-76800	CLAMP	2		
21	JW2-K8298-10	PLATE, CAUTION 2 (E,F)	1		UR ENGLISH/FRENCH
	JW2-K8298-20	PLATE, CAUTION 2 (G,S)	1		UR GERMAN/SPANISH

**FIG. 3 FRONT SUSPENSION**



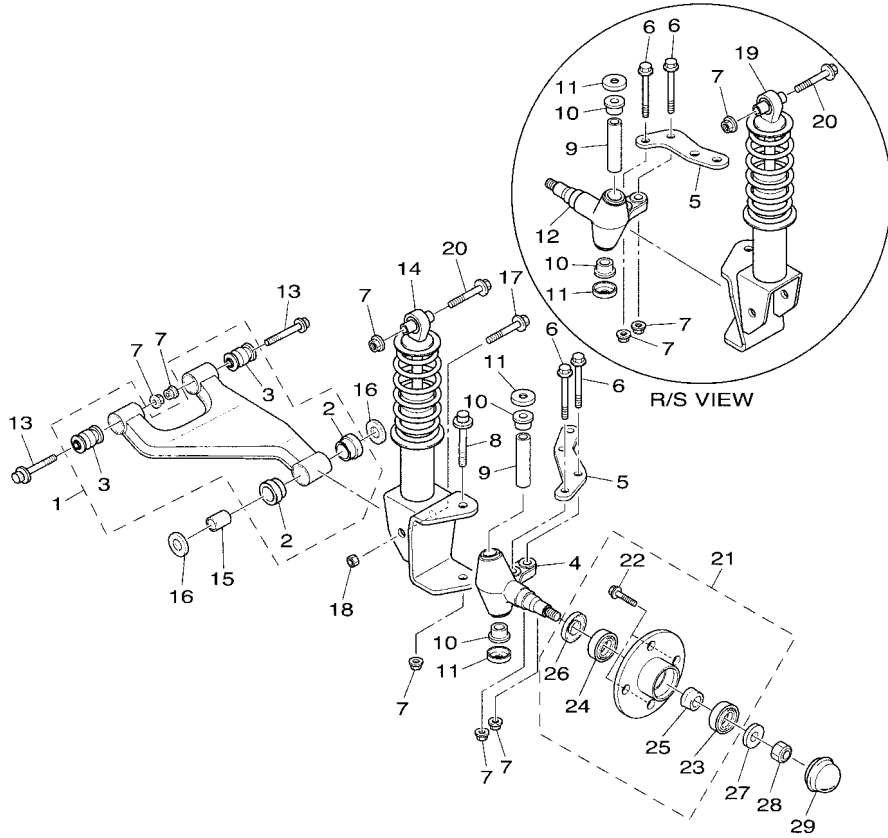
REF. NO.	PART NO.	DESCRIPTION	JOE#				REMARKS
1	J0B-F3570-10	FRONT LOWER ARM COMP. (LEFT)	2				
2	90381-18801	.BUSH, SOLID	2				
3	2HR-23526-00	.BUSH	2				
4	JU0-F3511-20	KNUCKLE, STEERING 1	1				
5	JW1-F3512-00	ARM, KNUCKLE 1	2				
6	90105-10373	BOLT, FLANGE	4				
7	95602-10200	NUT, S/L FLANGE	12				
8	90105-10219	BOLT, FLANGE	2				
9	2NL-23448-00	SPACER	2				
10	90381-17800	BUSH, SOLID	4				
11	2NL-23517-00	COVER, THRUST 1	4				
12	JU0-F3521-20	KNUCKLE, STEERING 2	1				
13	90105-10267	BOLT, FLANGE	4				
14	J0C-F3350-00	SHOCK ABSORBER ASSY	1				
15	90387-12016	COLLAR	2				
16	401-22128-01	COVER, THRUST 1	4				
17	95812-12080	BOLT, FLANGE	2				
18	90185-12810	NUT, SELF-LOCKING	2				
19	J0C-F3390-00	SHOCK ABSORBER ASSY 2	1				
20	90105-10267	BOLT, FLANGE	2				
21	JC1-F5103-00	HUB BEARING UNIT ASSY	2				
22	90114-12805	.BOLT, SERRATION	4				
23	93306-204X0	.BEARING	1				
24	93306-005Y3	.BEARING	1				
25	90387-241M7	.COLLAR	1				
26	93102-30083	.OIL SEAL	1				
27	90208-14801	WASHER, CONICAL SPRING	2				



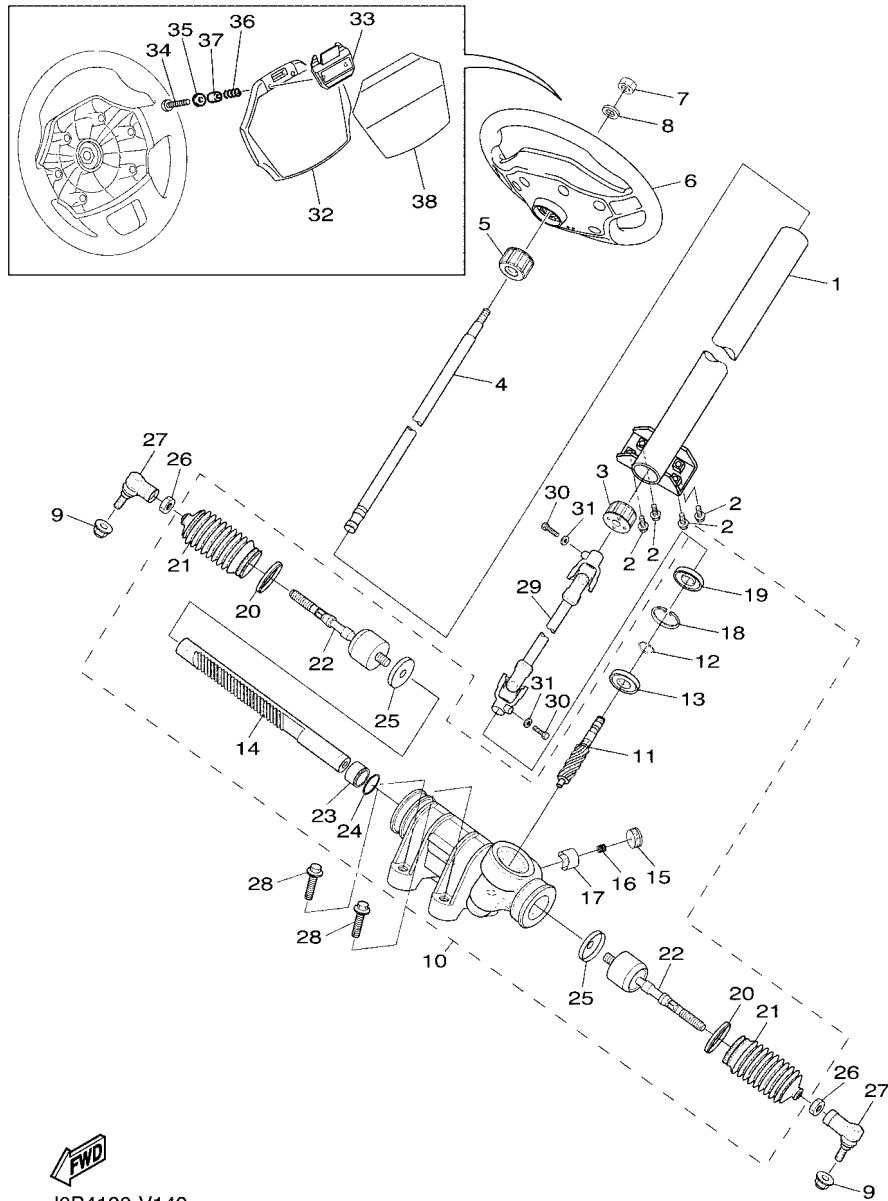
J0E4100-V030



**FIG. 3 FRONT SUSPENSION**



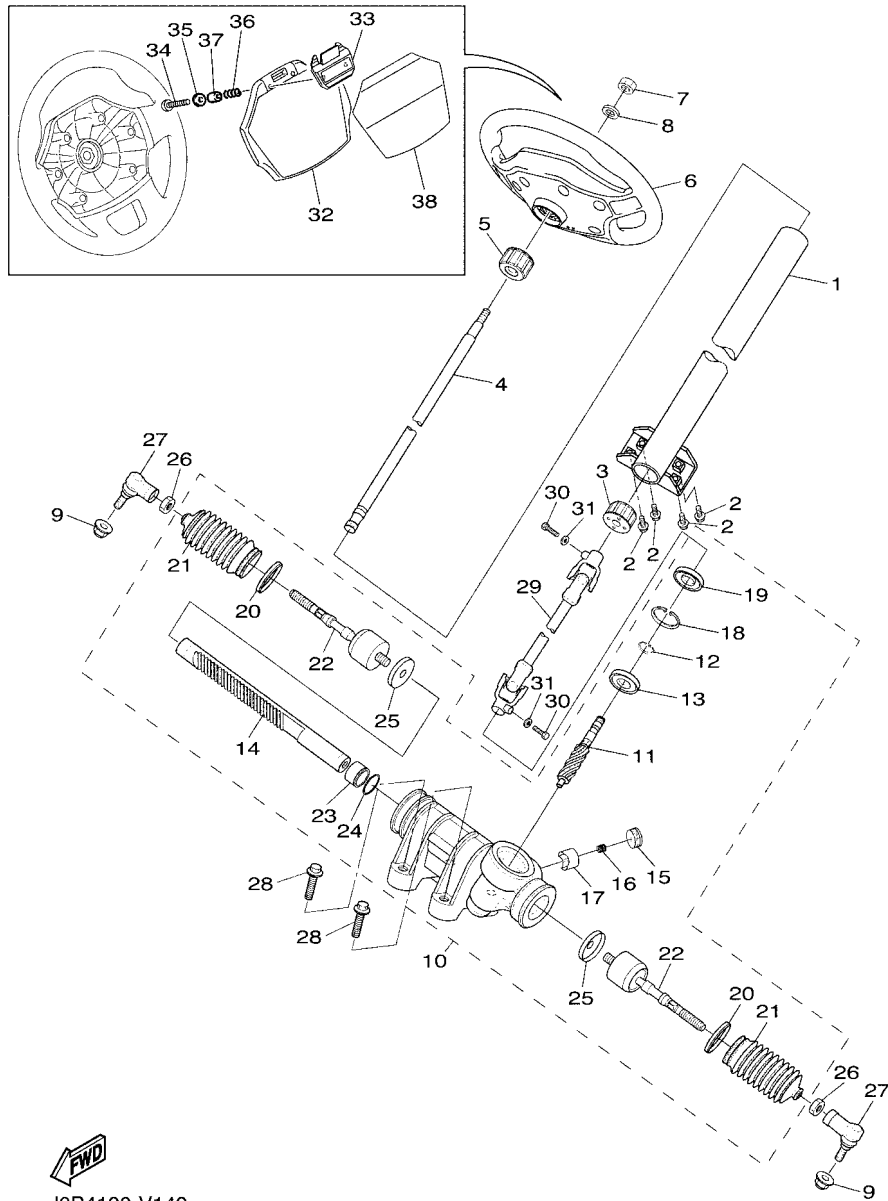
REF. NO.	PART NO.	DESCRIPTION	JOE4	REMARKS
28	95602-14100	NUT, U	2	
29	JN6-F5118-01	COVER, HUB DUST	2	



J0B4100-V140

FIG. 4 STEERING

REF. NO.	PART NO.	DESCRIPTION	JOE#				REMARKS
1	J0G-F3811-00	COLUMN, STEERING	1				
2	95812-08020	BOLT, FLANGE	4				
3	JU0-F3857-20	HOLDER	1				
4	JU0-F3828-10	ROD, STEERING	1				
5	JU0-F3857-20	HOLDER	1				
6	J0B-F3838-00	WHEEL, STEERING	1				
7	90185-12008	NUT, SELF-LOCKING	1				
8	92902-12200	WASHER	1				
9	90185-12811	NUT, SELF-LOCKING	2				
10	JW1-F3400-00	STEERING ASSY	1				
11	JW1-F387A-00	.GEAR, PINION	1				
12	JW1-F3183-00	.CIRCLIP	1				
13	JW1-F3812-00	.BEARING, STEERING	1				
14	JW1-F387E-00	.GEAR, RACK	1				
15	5UG-F387G-00	.COVER, ADJUST	1				
16	5UG-F387K-00	.SPRING, PRESSURE	1				
17	5UG-F387F-00	.PAD, PRESSURE	1				
18	5UG-F387J-00	.RING, STOPPER	1				
19	5UG-F3844-00	.SEAL	1				
20	5UG-F3489-00	.BAND	2				
21	5UG-F3527-00	.SEAL, DUST 1	2				
22	JW1-F3837-00	.ROD, TIE 2	2				
23	JW1-F467K-00	.BUSH, CAP	1				
24	JW1-F3866-00	.CIRCLIP	1				
25	JW1-F3894-00	.WASHER, LOCK 1	2				
26	1P0-F3833-00	NUT 1	2				
27	JW8-23841-01	JOINT, UNIVERSAL 1	2				

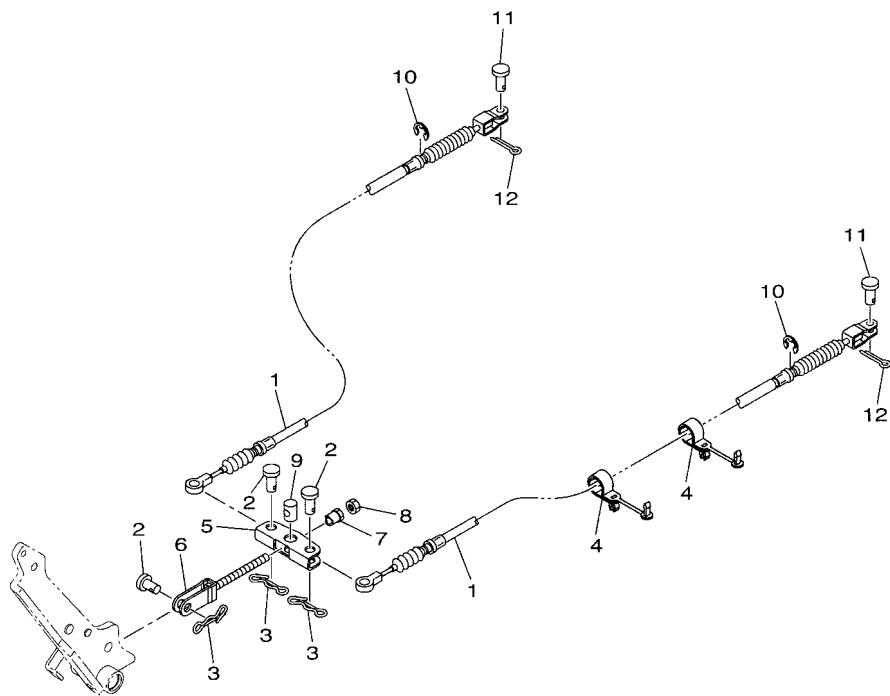


J0B4100-V140

FIG. 4 STEERING

REF. NO.	PART NO.	DESCRIPTION	QTY	REMARKS
28	90105-10847	BOLT, FLANGE	4	
29	JW1-F3822-01	JOINT 1	1	
30	97012-08030	BOLT	2	
31	92902-08600	WASHER, PLATE	2	
32	J0D-K8357-00	HOLDER 1	1	
33	J0B-K8358-00	HOLDER 2	1	
34	J0B-K7387-00	SCREW	2	
35	90201-04810	WASHER, PLATE	2	
36	J0B-K7363-00	SPRING	2	
37	J0B-K7115-00	COLLAR	2	
38	J0D-K7762-30	LABEL, WARNING 2	1	UR ENGLISH/FRENCH
	J0D-K7762-20	LABEL, WARNING 2	1	UR GERMAN/SPANISH

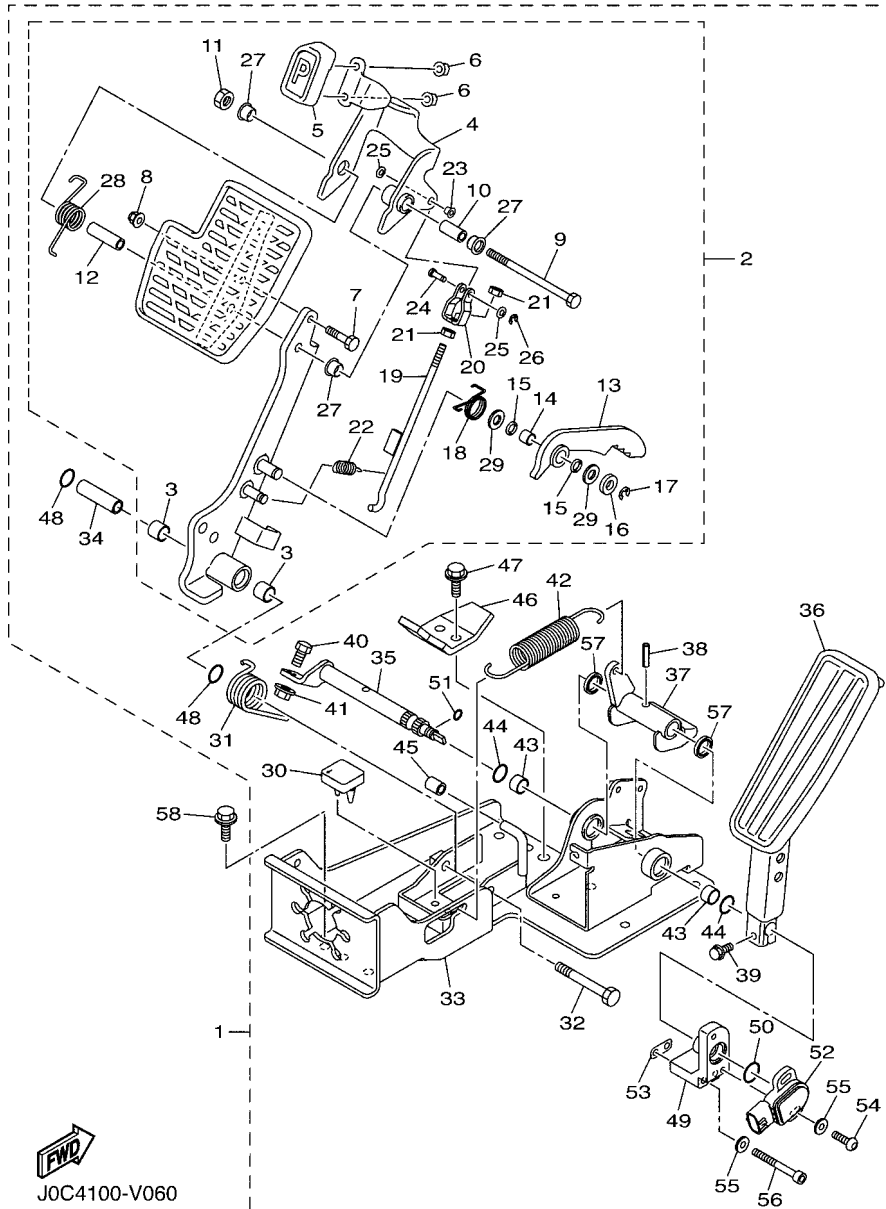
**FIG. 5 PEDAL WIRE**



REF. NO.	PART NO.	DESCRIPTION	QTY	REMARKS
1	JW9-F6351-10	CABLE, BRAKE	2	
2	91702-10026	PIN, CLEVIS	3	
3	90468-20196	CLIP	3	
4	JW7-F312H-00	CLAMP	4	
5	JW8-F5681-10	EQUALIZER, BRAKE	1	
6	JN6-F5685-01	ROD	1	
7	90179-08822	NUT	1	
8	95307-08700	NUT	1	
9	90249-14129	PIN	1	
10	99001-09600	CIRCLIP	2	
11	91702-08018	PIN, CLEVIS	2	
12	91490-25015	PIN, COTTER	2	



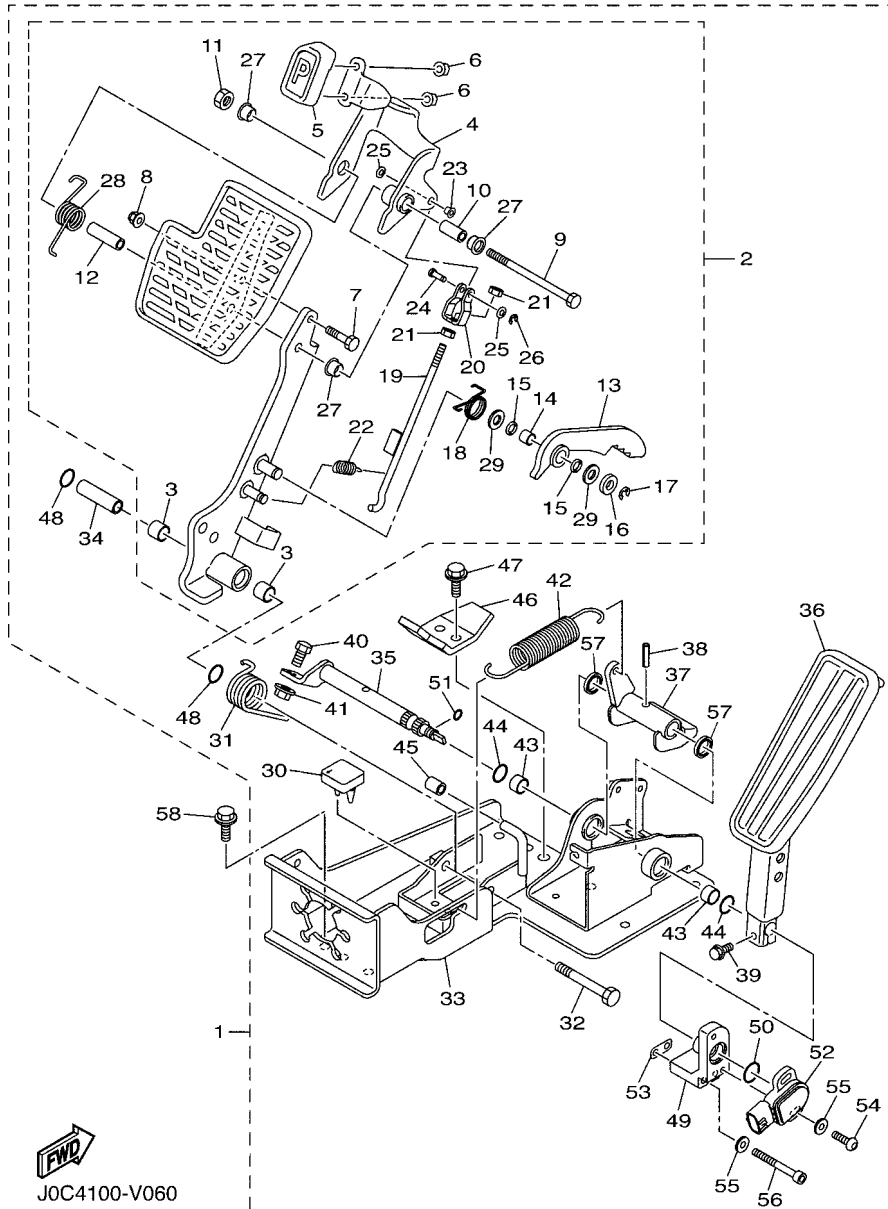
JW97110-R050



J0C4100-V060

FIG. 6 PEDAL ASSEMBLY

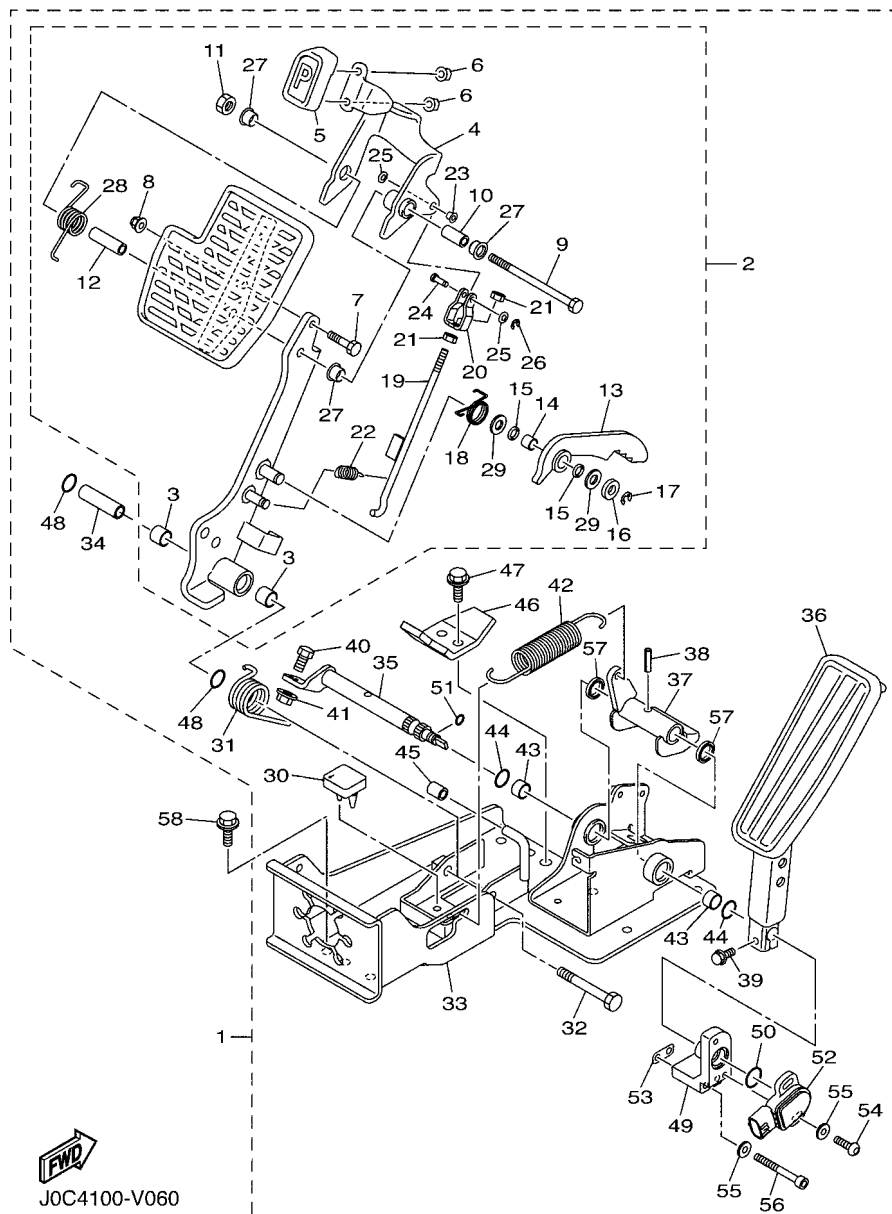
REF. NO.	PART NO.	DESCRIPTION	JOE4	REMARKS
1	J0H-F7850-20	PEDAL ASSY (L.H)	1	
2	J0G-F7200-02	.PEDAL, BRAKE	1	
3	JW8-F7814-21	.BUSH, PEDAL	2	
4	J0G-F5671-00	..PEDAL, PARKING BRAKE	1	
5	J0G-F7854-00	..COVER, PEDAL	1	
6	95607-06200	..NUT, SELF U-FLANGE	2	
7	97012-06020	..BOLT	1	
8	JW8-F8363-00	..NUT	1	
9	J0G-F7416-00	..BOLT, FOOTREST	1	
10	JW8-F639N-00	..COLLAR	1	
11	J0G-F7218-00	..NUT	1	
12	J0G-F7313-00	..COLLAR	1	
13	JW9-F5666-00	..SECTOR, PARKING BRAKE	1	
14	JW8-F7121-00	..BUSH	1	
15	JW9-F7221-00	..SEAL, SHAFT	2	
16	JW8-F7322-00	..WASHER	1	
17	JW8-F3183-00	..CIRCLIP	1	
18	JW8-F7426-01	..SPRING, RETURN	1	
19	JW9-F7231-10	..ROD, BRAKE	1	
20	JW9-F7232-00	..END, ROD 2	1	
21	JW8-F7318-00	..NUT	2	
22	JW8-F6314-00	..SPRING	1	
23	J0G-F7814-00	..BUSH, PEDAL	1	
24	JW9-F7228-00	..PIN, JOINT	1	
25	JW8-F8323-00	..WASHER, LEG SHIELD	2	
26	JW8-F5415-00	..CIRCLIP	1	
27	90386-12800	..BUSH	3	



**FIG. 6 PEDAL ASSEMBLY**

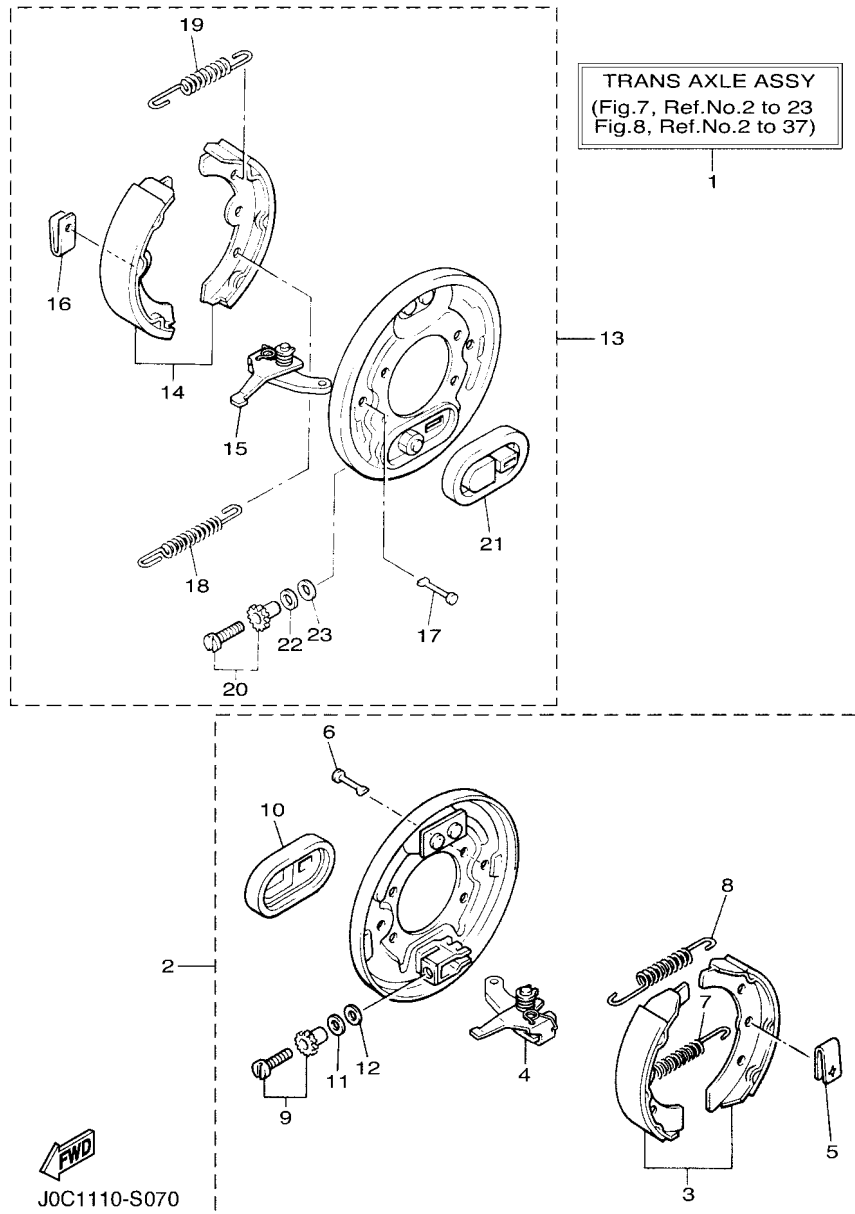
REF. NO.	PART NO.	DESCRIPTION	JOE#	REMARKS
28	J0G-F7825-00	.SPRING, RETURN	1	
29	JW8-F7119-00	.WASHER	2	
30	JW9-F7245-10	.PAD, BRAKE PEDAL	1	
31	JW8-F7316-01	.SPRING, SIDE STAND	1	
32	JW8-F7217-00	.BOLT	1	
33	J0H-F7445-10	.PLATE 1	1	
34	JW8-F7213-20	.COLLAR	1	
35	J0H-F7853-10	.SHAFT, PEDAL 1	1	
36	J0G-F7871-01	.PEDAL, ACCELERATOR	1	
37	J0H-F7872-00	.ARM, ACCELERATOR PEDAL	1	
38	JW8-F7438-00	.PIN, CLEVIS	1	
39	JW8-F7434-00	.BOLT	1	
40	JW8-F7317-00	.BOLT	1	
41	JW8-F7118-00	.NUT	1	
42	J0G-F815H-10	.SPRING	1	
43	J0G-F5922-00	.WASHER	2	
44	JW8-F4486-00	.O-RING	2	
45	JW9-F5673-00	.DAMPER, BRAKE	1	
46	JW9-F7246-20	.NAIL, BRAKE	1	
47	JW8-F8331-00	.BOLT, LEG SHIELD	2	
48	JW8-F4486-00	.O-RING	2	
49	JW9-F7263-00	.BRACKET 1	1	
50	JW9-F4648-20	.O-RING	1	
51	JW8-F41B8-00	.O-RING	1	
52	JW9-H5885-00	.THROTTLE SENSOR ASSY	1	
53	JW9-F5827-00	.SHIM, CALIPER	1	T: 0.5 MM
	JW9-F5827-10	.SHIM, CALIPER	1	T: 0.9 MM

**FIG. 6 PEDAL ASSEMBLY**



J0C4100-V060

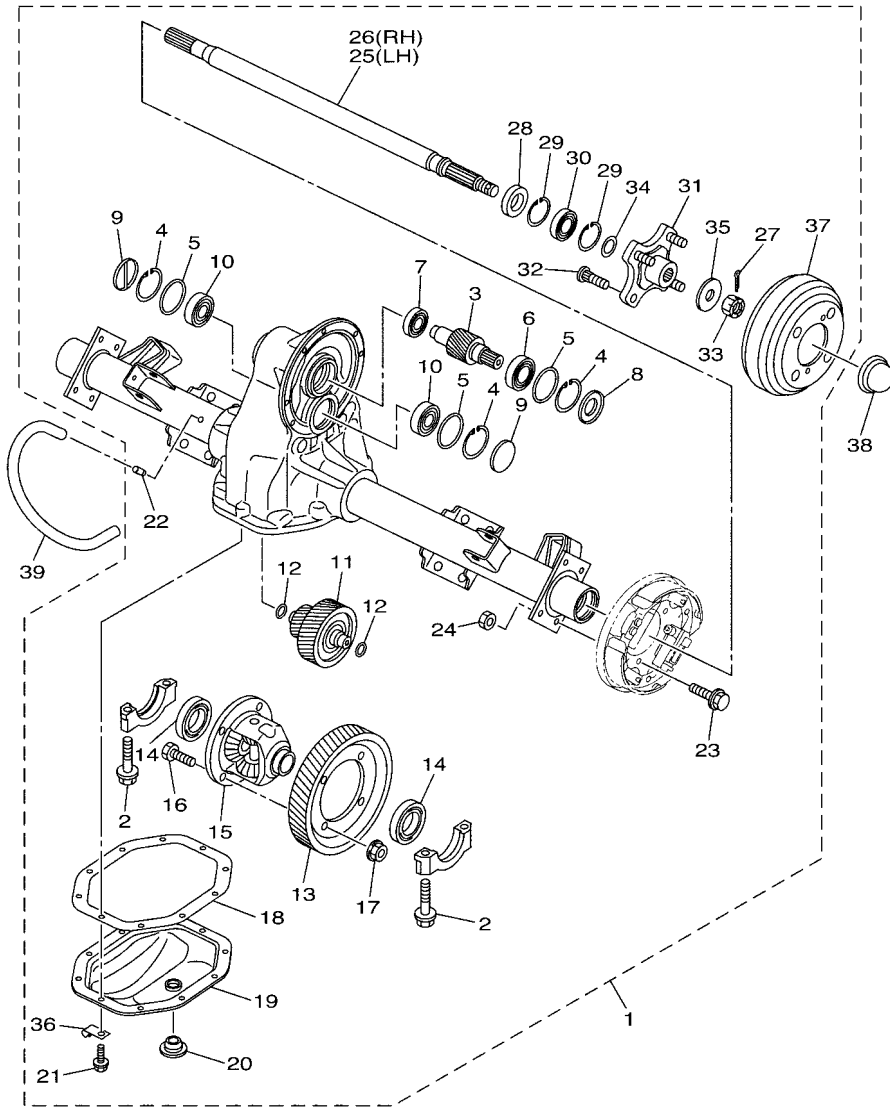
REF. NO.	PART NO.	DESCRIPTION	JOE4	REMARKS
54	JW9-F632G-00	.SCREW	2	
55	90201-05824	.WASHER, PLATE	4	
56	JW8-F7435-00	.BOLT	2	
57	J0G-F3145-00	.OIL SEAL	2	
58	95812-08020	BOLT, FLANGE	6	



**FIG. 7 BRAKE**

REF. NO.	PART NO.	DESCRIPTION	JOE4				REMARKS
1	J0E-G6300-01	TRANS AXLE ASSY	1				
2	JW8-F7290-10	..BACKING PLATE ASSY 2	1				
3	JN9-W2536-11	..BRAKE SHOE SET	1				
4	J38-27205-00	..LEVER ASSY 2	1				
5	JW8-F7281-00	..SPRING, SHOE CLAMP	2				
6	J10-27282-00	..PIN, SHOE HOLD DOWN	2				
7	90506-20281	..SPRING, TENSION	1				
8	90506-14001	..SPRING, TENSION	1				
9	J55-27260-00	..ADJUSTER ASSY	1				
10	JW8-F7286-00	..COVER, DUST	1				
11	90201-121H9	..WASHER, PLATE	1				
12	90201-121H8	..WASHER, PLATE	1				
13	JW8-F7280-10	..BACKING PLATE ASSY 1	1				
14	JN9-W2536-11	..BRAKE SHOE SET	1				
15	J38-27204-00	..LEVER ASSY 1	1				
16	JW8-F7281-00	..SPRING, SHOE CLAMP	2				
17	J10-27282-00	..PIN, SHOE HOLD DOWN	2				
18	90506-20281	..SPRING, TENSION	1				
19	90506-14001	..SPRING, TENSION	1				
20	J55-27270-00	..ADJUSTER ASSY	1				
21	JW8-F7286-00	..COVER, DUST	1				
22	90201-121H9	..WASHER, PLATE	1				
23	90201-121H8	..WASHER, PLATE	1				



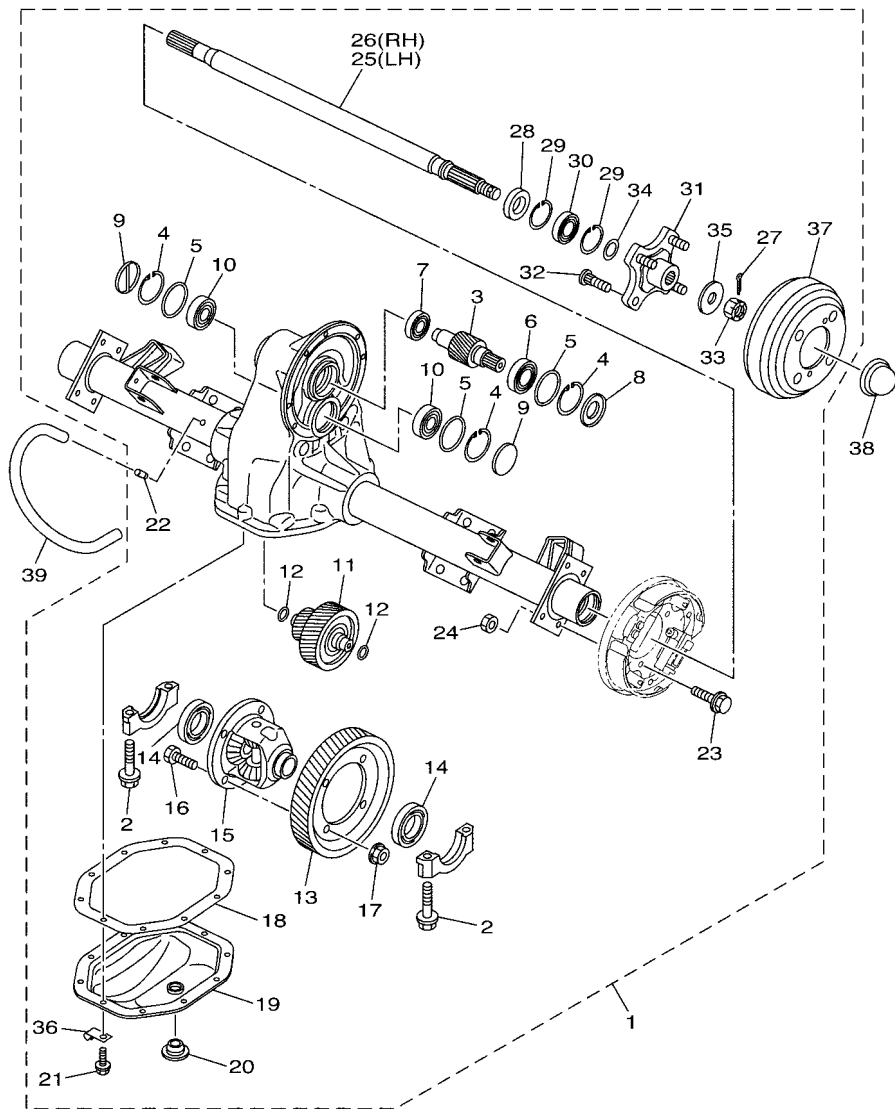


J0C1110-S080

FIG. 8 TRANSAXLE

REF. NO.	PART NO.	DESCRIPTION	JOE#				REMARKS
1	J0E-G6300-01	TRANS AXLE ASSY	1				
2	90105-10840	.BOLT, FLANGE	4				
3	JW9-G6321-00	.SHAFT, INPUT	1				
4	93420-50804	.CIRCLIP	3				
5	93210-478B8	.O-RING	3				
6	93306-005Y1	.BEARING	1				
7	93306-203X1	.BEARING	1				
8	JW9-G6136-00	.SEAL 1	1				
9	JH7-G3396-01	.PLUG, BLIND	2				
10	93306-303Y6	.BEARING	2				
11	JW9-G6350-00	.COUNTER GEAR ASSY	1				
12	93210-148B9	.O-RING	2				
13	JW9-G6421-00	.GEAR, RING	1				
14	93306-007Y0	.BEARING	2				
15	JW9-G6410-00	.DIFFERENTIAL ASSY.	1				
16	90101-10854	.BOLT	4				
17	90170-10840	.NUT	4				
18	JW9-G631A-00	.GSKT., CASE	1				
19	JW9-G6312-00	.CASE, TRANSMISSION 2	1				
20	JN3-G6432-00	.STOPPER	1				
21	90101-08856	.BOLT	10				
22	JW8-G5378-00	.NIPPLE, HOSE	1				
23	90101-08855	.BOLT	8				
24	90170-08841	.NUT	8				
25	JR1-G6511-00	.SHAFT, REAR AXLE 1 (L.H)	1				
26	JR1-G6512-00	.SHAFT, REAR AXLE 2 (R.H)	1				
27	91490-30030	.PIN. COTTER	2				

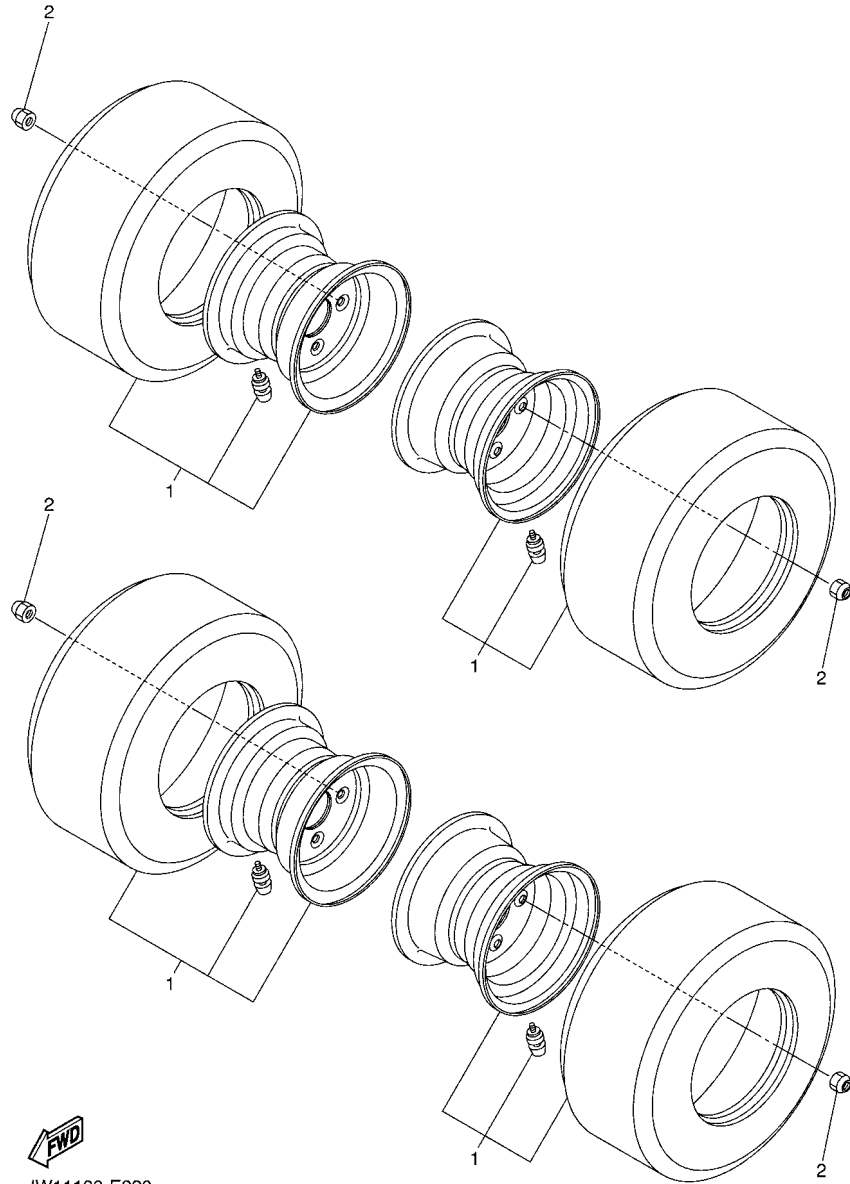
**FIG. 8 TRANSAXLE**



REF. NO.	PART NO.	DESCRIPTION	JOE4				REMARKS
28	93101-24822	.OIL SEAL	2				
29	93420-44805	.CIRCLIP	4				
30	93306-00440	.BEARING	2				
31	JW8-G6514-00	.HUB, REAR AXLE	2				
32	JW8-G4178-00	.BOLT, STUD	8				
33	JW8-G5244-00	.NUT	2				
34	JW8-G2535-00	.WASHER, THRUST	2				
35	JW8-G2536-00	.WASHER, THRUST 2	2				
36	JW8-G2756-00	.STAY, CLAMP	1				
37	JW3-G6521-00	.DRUM	2				
38	JW8-F5118-00	COVER, HUB DUST	2				
39	JW8-G2541-00	PIPE 1	1				



J0C1110-S080

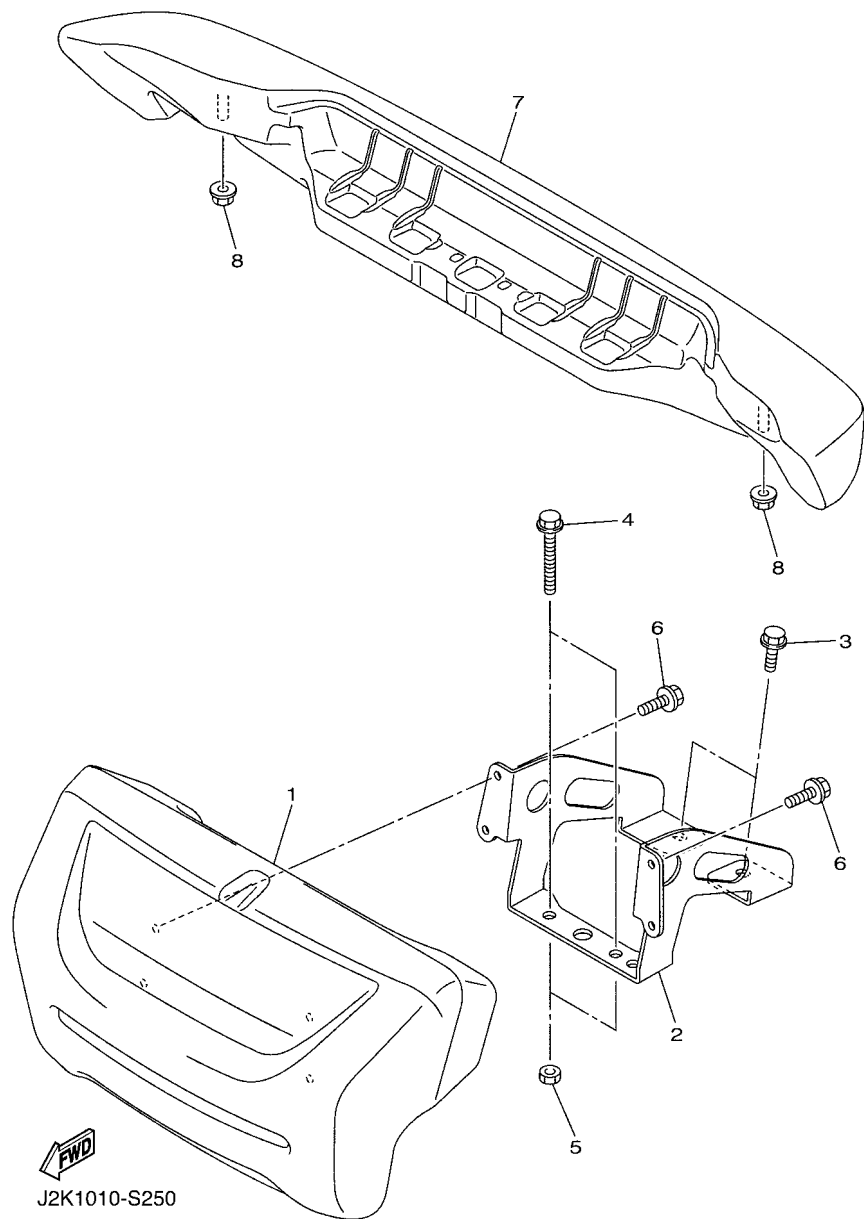


JW11100-E220

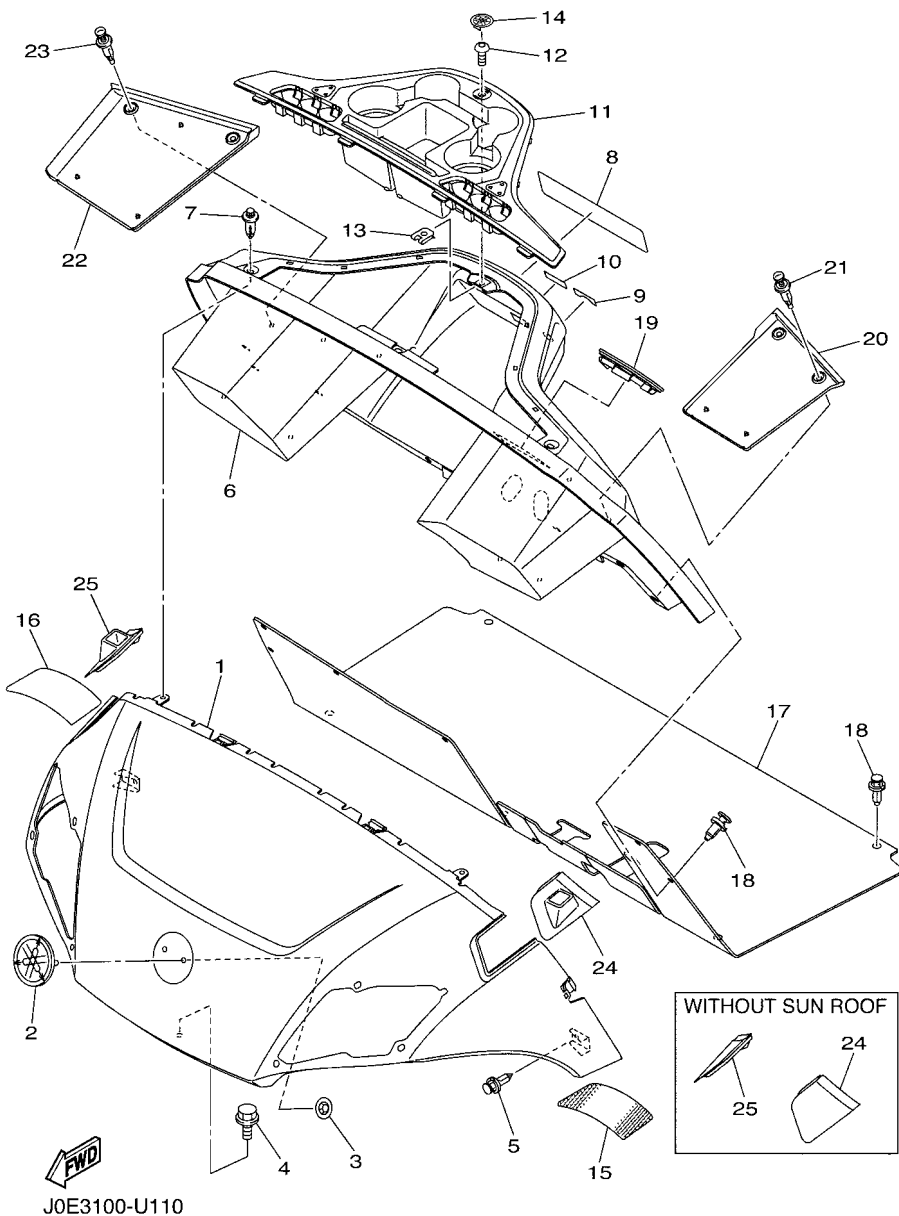
FIG. 9 WHEEL

REF. NO.	PART NO.	DESCRIPTION	JOE4			REMARKS
1	JC1-F5100-01	WHEEL ASSY (205/65-10 4P)	4			
2	90179-12262	NUT	16			

**FIG. 10 BUMPER**

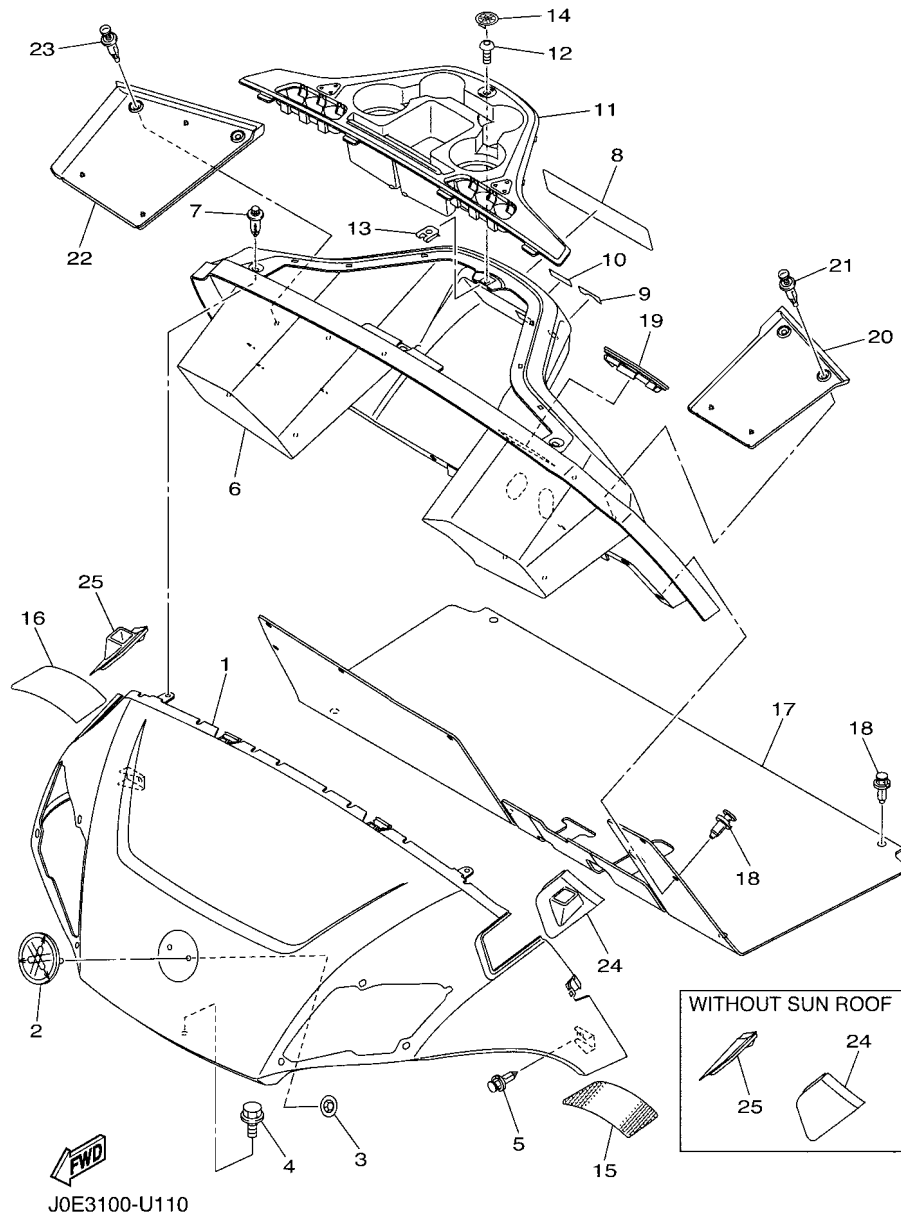


REF. NO.	PART NO.	DESCRIPTION	JOE4				REMARKS
1	J0B-K7510-01	FRONT BUMPER COMP.	1				
2	J0B-K8164-00	STAY, FRONT BUMPER (L.H)	1				
3	95812-08016	BOLT, FLANGE	2				
4	95812-08050	BOLT, FLANGE	2				
5	95302-08700	NUT, HEXAGON	2				
6	95822-06012	BOLT, FLANGE	4				
7	J0B-K7540-00	REAR BUMPER COMP.	1				
8	95602-10200	NUT, S/L FLANGE	2				



**FIG. 11 BODY**

REF. NO.	PART NO.	DESCRIPTION	J0E4	REMARKS
1	J0D-K8115-A0	COWL, FRONT	1	UR FOR BW1
	J0D-K8115-00	COWL, FRONT	1	UR FOR DNBME
	J0D-K8115-30	COWL, FRONT	1	UR FOR LNMP
	J0D-K8115-70	COWL, FRONT	1	UR FOR DRMV
	J0D-K8115-90	COWL, FRONT	1	UR FOR VPBM6
	J0D-K8115-T0	COWL, FRONT	1	UR FOR MNYM2
	J0D-K8115-U0	COWL, FRONT	1	UR FOR MDNM7
	J0D-K8115-V0	COWL, FRONT	1	FOR MDOM1
	J0D-K8115-80	COWL, FRONT	1	UR FOR BMG
2	J0B-F4161-00	EMBLEM 1	1	
3	JU0-K7573-00	NUT, SPECIAL	2	
4	90105-06831	BOLT, FLANGE	1	
5	90269-06804	RIVET	2	
6	J0E-K8114-01	PANEL, FRONT	1	
7	90269-08001	RIVET	3	
8	J0D-K7768-00	LABEL, WARNING 8	1	UR ENGLISH
	J0D-K7768-10	LABEL, WARNING 8	1	UR ENGLISH/FRENCH
	J0D-K7768-20	LABEL, WARNING 8	1	UR GERMAN
	J0D-K7768-30	LABEL, WARNING 8	1	UR SPANISH
9	J0D-K8282-00	PLATE, SWITCH PANEL	1	
10	J0C-K7741-00	INDICATOR 1	1	
11	J0B-K835E-00	HOLDER, BEVERAGE	1	
12	90111-05805	BOLT, HEX. SOCKET BUTTON	1	
13	90183-05008	NUT, SPRING	1	
14	J0B-H2370-00	PLUG CAP ASSY	1	
15	J0D-H333B-00	REFLECTOR 1	1	
16	J0D-H334B-00	REFLECTOR, 2	1	



**FIG. 11 BODY**

REF. NO.	PART NO.	DESCRIPTION	J0E4		REMARKS
17	J0D-K8233-00	MAT, MAIN FLOOR 3	1		
18	90269-09003	RIVET	12		
19	J0B-K8273-10	COVER, HOLE	1		
20	J0B-K8243-00	MAT, REAR BODY SIDE (LH)	1		
21	90269-07805	RIVET	2		
22	J0B-K8244-00	MAT, REAR BODY SIDE (RH)	1		
23	90269-07805	RIVET	2		
24	J1B-K832F-00	GROMMET, ROOF SUPPORT 1	1		WITH SUN ROOF
	J0B-K832F-00	GROMMET, ROOF SUPPORT 1	1		WITHOUT SUN ROOF
25	J1B-K832G-00	GROMMET, ROOF SUPPORT 2	1		WITH SUN ROOF
	J0B-K832G-00	GROMMET, ROOF SUPPORT 2	1		WITHOUT SUN ROOF

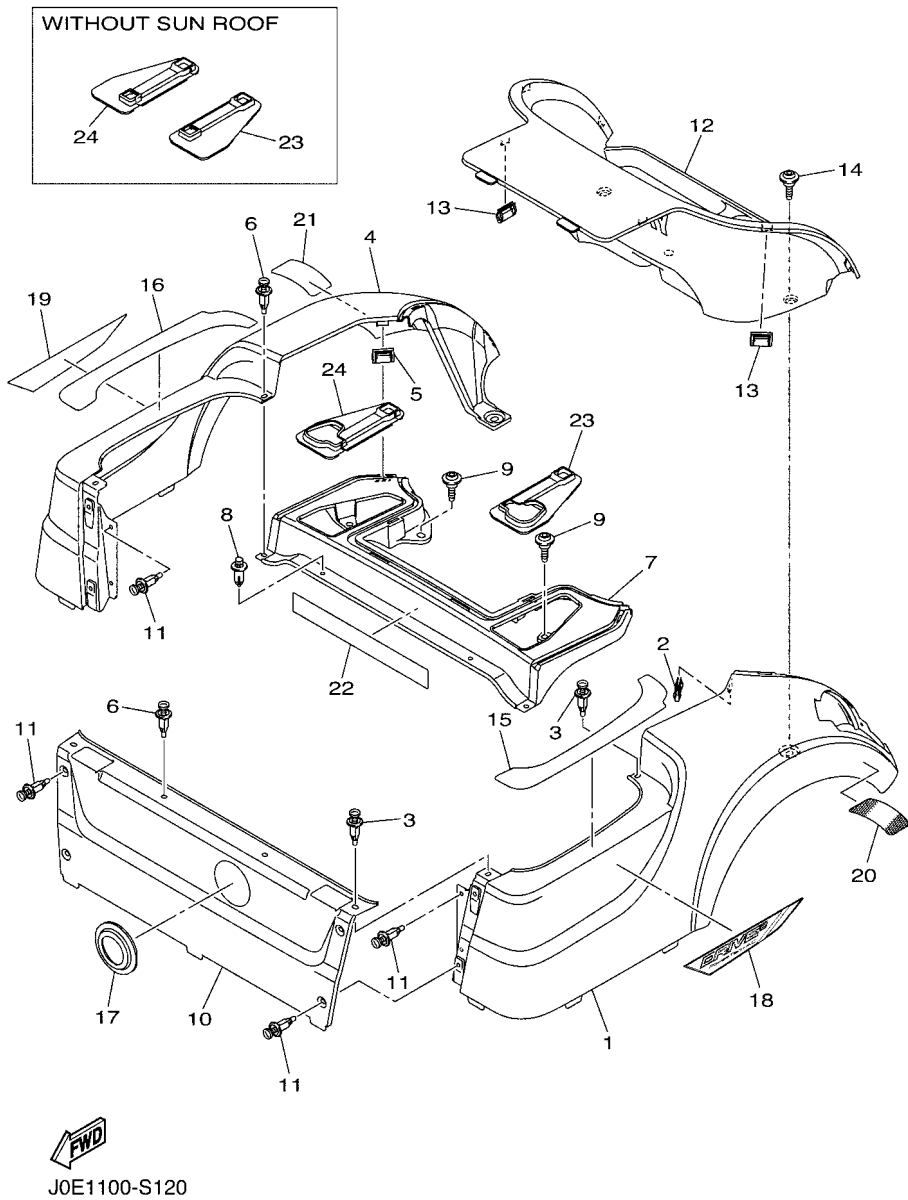


FIG. 12 BODY 2

REF. NO.	PART NO.	DESCRIPTION	J0E4	REMARKS
1	J0D-K8111-A0	PANEL, BODY SHELL	1	UR FOR BW1
	J0D-K8111-00	PANEL, BODY SHELL	1	UR FOR DNBME
	J0D-K8111-30	PANEL, BODY SHELL	1	UR FOR LNMP
	J0D-K8111-70	PANEL, BODY SHELL	1	UR FOR DRMV
	J0D-K8111-90	PANEL, BODY SHELL	1	UR FOR VPBM6
	J0D-K8111-T0	PANEL, BODY SHELL	1	UR FOR MNYM2
	J0D-K8111-U0	PANEL, BODY SHELL	1	UR FOR MDNM7
	J0D-K8111-V0	PANEL, BODY SHELL	1	UR FOR MDOM1
	J0D-K8111-80	PANEL, BODY SHELL	1	UR FOR BMG
2	J0B-F3447-00	CLIP	1	
3	90269-07805	RIVET	3	
4	J0D-K8112-A0	PANEL, BODY SHELL	1	UR FOR BW1
	J0D-K8112-00	PANEL, BODY SHELL	1	UR FOR DNBME
	J0D-K8112-30	PANEL, BODY SHELL	1	UR FOR LNMP
	J0D-K8112-70	PANEL, BODY SHELL	1	UR FOR DRMV
	J0D-K8112-90	PANEL, BODY SHELL	1	UR FOR VPBM6
	J0D-K8112-T0	PANEL, BODY SHELL	1	UR FOR MNYM2
	J0D-K8112-U0	PANEL, BODY SHELL	1	UR FOR MDNM7
	J0D-K8112-V0	PANEL, BODY SHELL	1	UR FOR MDOM1
	J0D-K8112-80	PANEL, BODY SHELL	1	UR FOR BMG
5	J0B-F3447-00	CLIP	1	
6	90269-07805	RIVET	3	
7	J0B-K819H-00	SHELL, REAR BODY	1	
8	JW7-K7329-00	RIVET	2	
9	J0B-F1738-00	BOLT	4	
10	J0C-K8141-A0	PANEL, INTERMEDIATE BODY	1	UR FOR BW1
	J0C-K8141-00	PANEL, INTERMEDIATE BODY	1	UR FOR DNBME

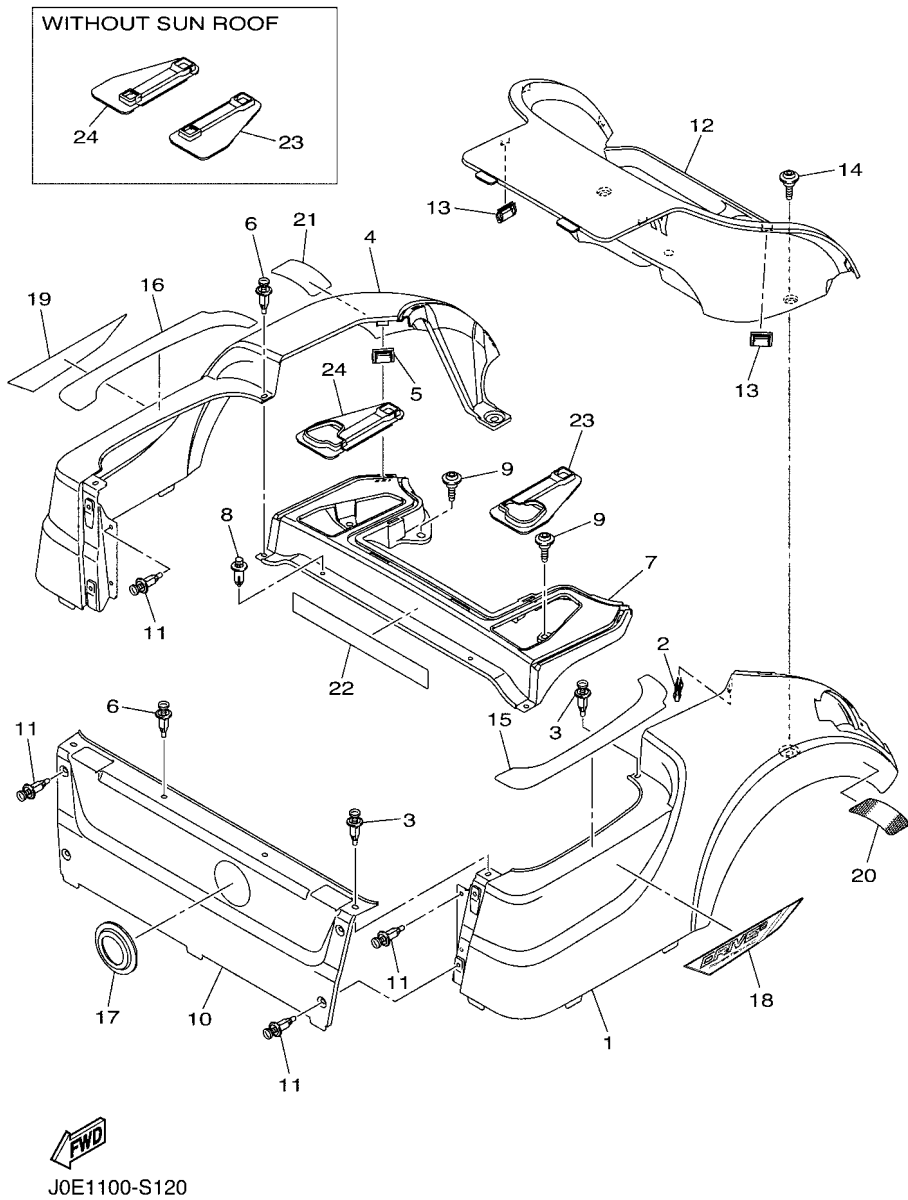
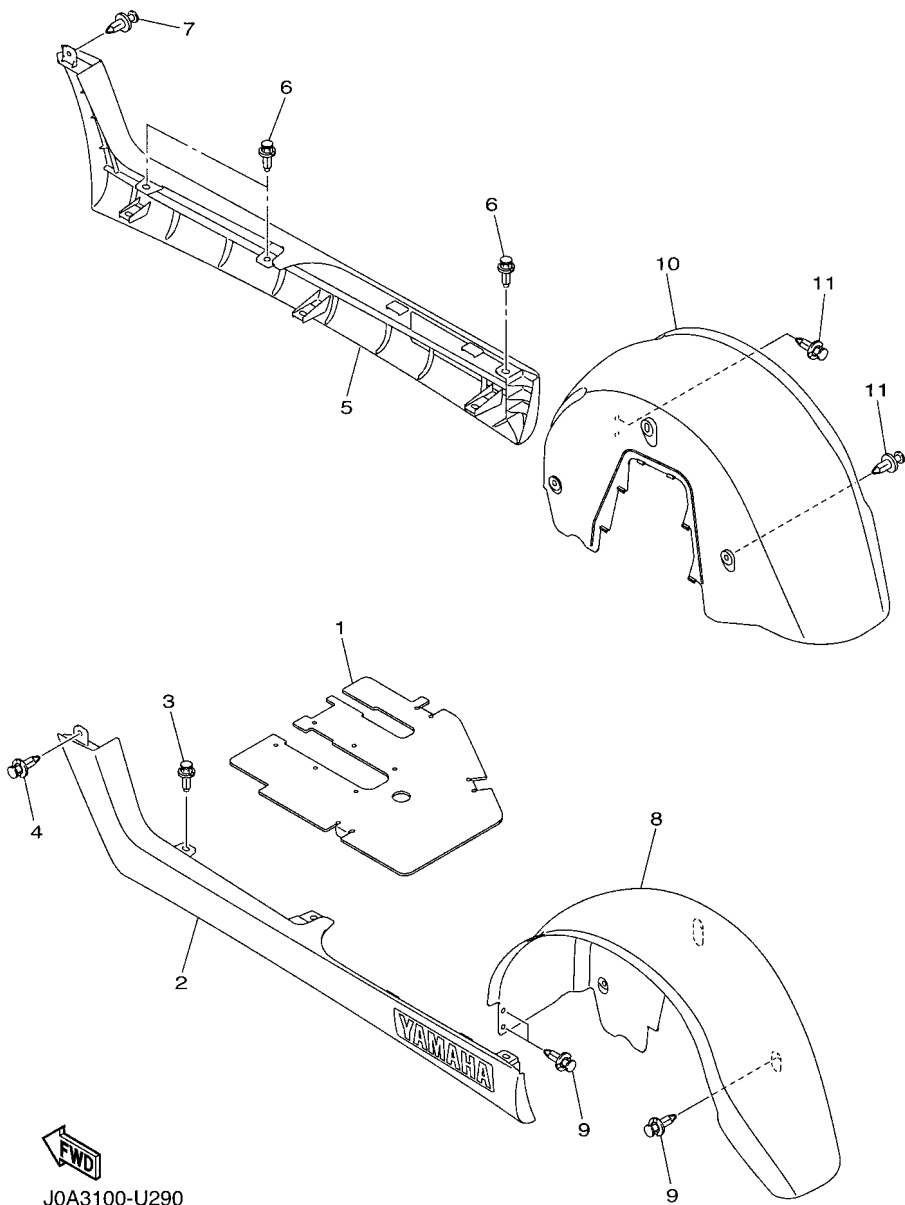


FIG. 12 BODY 2

REF. NO.	PART NO.	DESCRIPTION	J0E4	REMARKS
10	J0C-K8141-30	PANEL, INTERMEDIATE BODY	1	UR FOR LNMP
	J0C-K8141-70	PANEL, INTERMEDIATE BODY	1	UR FOR DRMV
	J0C-K8141-90	PANEL, INTERMEDIATE BODY	1	UR FOR VPBM6
	J0C-K8141-T0	PANEL, INTERMEDIATE BODY	1	UR FOR MNYM2
	J0C-K8141-U0	PANEL, INTERMEDIATE BODY	1	UR FOR MDNM7
	J0C-K8141-V0	PANEL, INTERMEDIATE BODY	1	UR FOR MDOM1
	J0C-K8141-80	PANEL, INTERMEDIATE BODY	1	UR FOR BMG
11	90269-07805	RIVET	8	
12	J0B-K8237-02	COVER, REAR FLOOR	1	FOR 2 BAGS
13	J0B-F3447-00	CLIP	4	
14	J0B-F1738-00	BOLT	2	
15	J0B-F2873-01	SEAL 1	1	
16	J0B-F2874-01	SEAL 2	1	
17	J0C-K827A-00	GUIDE 1	1	
18	J0E-F1781-00	EMBLEM 1	1	UR FOR BMG
	J0E-F1781-10	EMBLEM 1	1	UR EXCEPT BMG
19	J0E-F1782-00	EMBLEM 2	1	UR FOR BMG
	J0E-F1782-10	EMBLEM 2	1	UR EXCEPT BMG
20	J0D-H360G-00	REFLECTOR 3	1	
21	J0D-H360H-00	REFLECTOR 4	1	
22	JW9-K8297-01	PLATE, CAUTION 1	1	UR ENGLISH/FRENCH
	JW9-K8297-11	PLATE, CAUTION 1	1	UR GERMAN/SPANISH
23	J0B-K817H-10	TRIM, SIDE PANEL 1	1	WITH SUN ROOF
	J0B-K817H-00	TRIM, SIDE PANEL 1	1	WITHOUT SUN ROOF
24	J0B-K817J-10	TRIM, SIDE PANEL 2	1	WITH SUN ROOF
	J0B-K817J-00	TRIM, SIDE PANEL 2	1	WITHOUT SUN ROOF



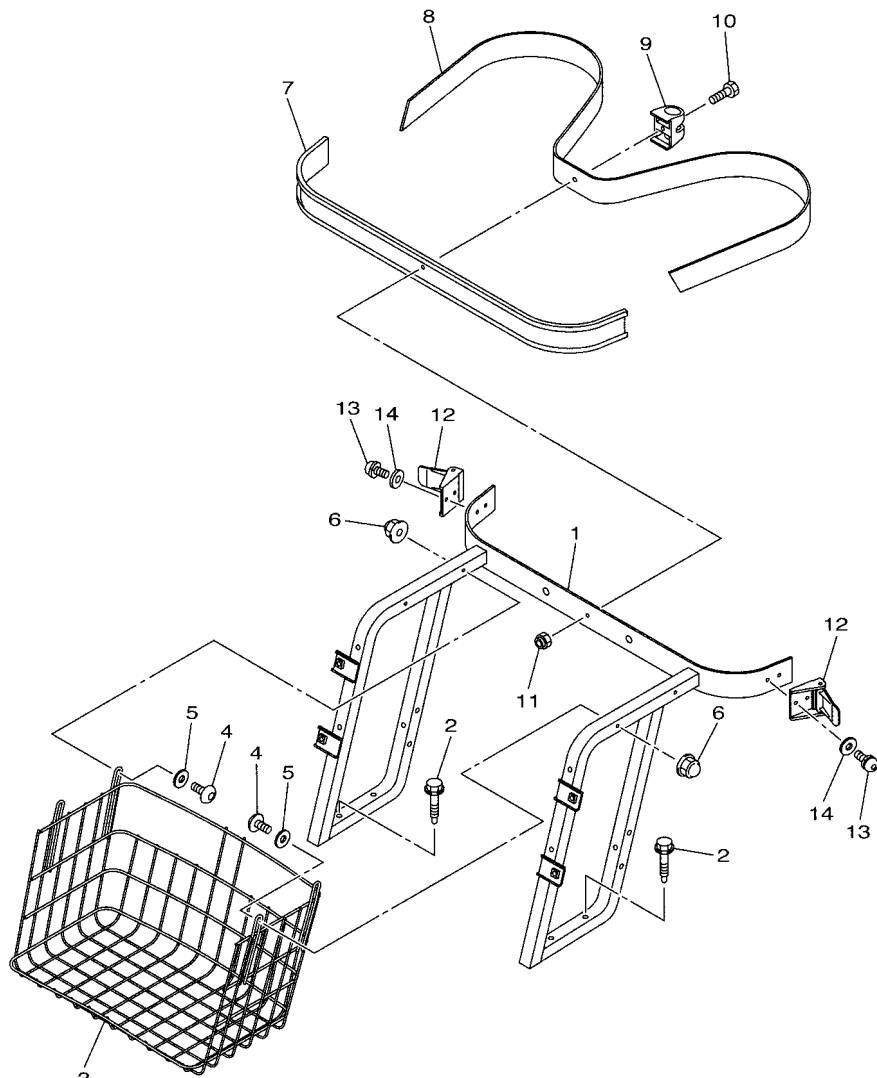
**FIG. 13 BODY FITTING**



J0A3100-U290

REF. NO.	PART NO.	DESCRIPTION	JOE4				REMARKS
1	J0B-K8271-01	SERVICE LID, PEDAL	1				
2	J0B-K818A-00	PROTECTOR, SIDE PLATE	1				
3	90269-09003	RIVET	3				
4	90269-06804	RIVET	1				
5	J0B-K818B-00	PROTECTOR, SIDE PLATE 2	1				
6	90269-09003	RIVET	3				
7	90269-06804	RIVET	1				
8	J0B-K8191-00	PANEL, REAR FENDER 1	1				
9	90269-06804	RIVET	5				
10	J0B-K8192-00	PANEL, REAR FENDER 2	1				
11	90269-06804	RIVET	5				

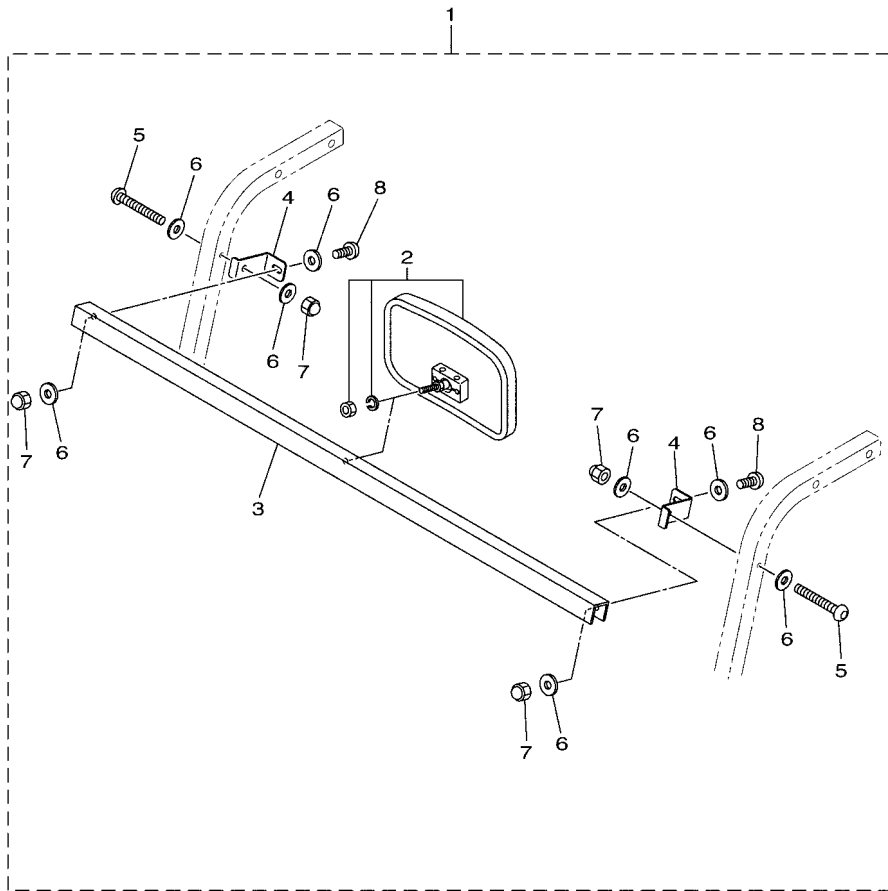
**FIG. 14 CARRIER**



J0B1110-S280

REF. NO.	PART NO.	DESCRIPTION	JOE4			REMARKS
1	J0B-K8423-00	SUPPORT, SEAT BACK	1			
2	90109-08178	BOLT	4			
3	JW1-K8340-00	LUGGAGE RACK ASSY., REAR	1			
4	92017-06040	BOLT, BUTTON HEAD	4			
5	J0B-K7389-00	WASHER	4			
6	90176-06008	NUT, CROWN	4			
7	JF2-K8356-00	PAD, BAG SUPPORT	1			
8	JN6-K8355-20	BAND	1			
9	JW1-K834G-00	HOLDER, RAKE SAND	1			
10	9708R-06020	BOLT	1			
11	90185-06836	NUT, SELF-LOCKING	1			
12	JN6-K8380-00	LOCK ASSY	2			
13	90159-06845	SCREW, WITH WASHER	4			
14	9299R-06200	WASHER	4			

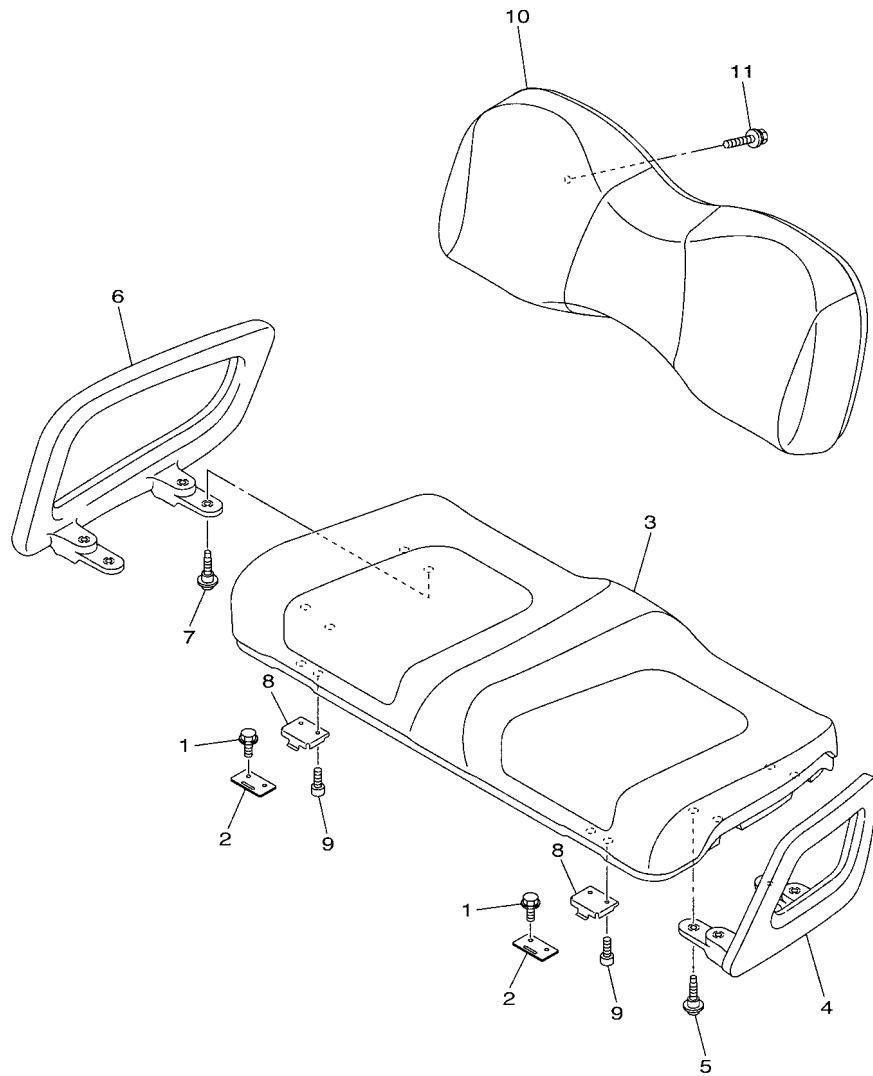
**FIG. 15 REAR VIEW MIRROR**



REF. NO.	PART NO.	DESCRIPTION	JOE4			REMARKS
1	JC0-F6280-11	REAR VIEW MIRROR ASSY (LEFT)	1			
2	JC0-F6291-11	.MIRROR	1			
3	JC0-F831W-20	.STAY, MIRROR 1	1			
4	JC0-F834N-20	.BRACKET, MIRROR 1	2			
5	JW1-K7387-20	.SCREW	2			
6	JC0-K7178-00	.WASHER 1	8			
7	JW1-K7217-10	.NUT, WIND SHIELD	4			
8	JC0-K7212-10	.BOLT, WIND SHIELD	2			



JC17100-P150

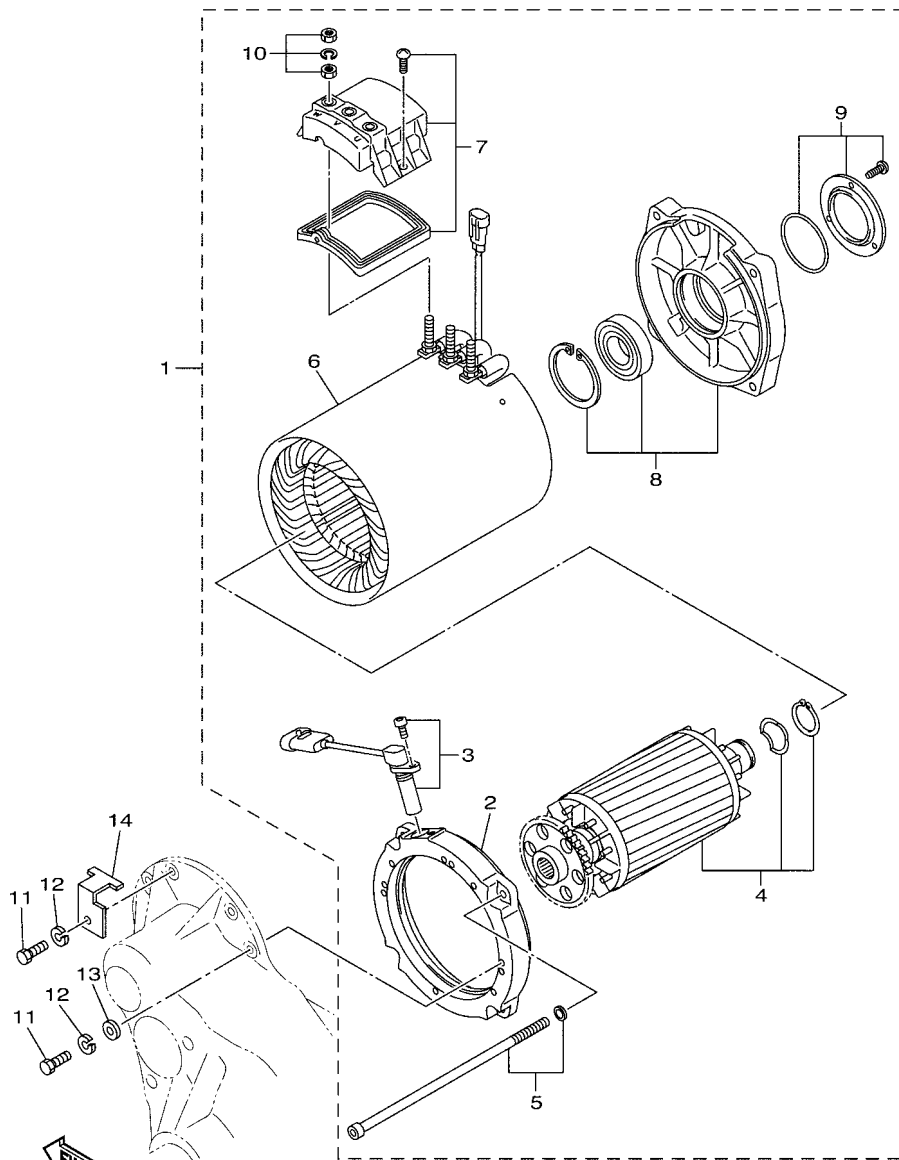


J0B1110-S290

**FIG. 16 SEAT**

REF. NO.	PART NO.	DESCRIPTION	JOE4				REMARKS
1	JW9-H1674-00	BOLT	4				
2	JW1-K8427-00	HINGE, SEAT 2	2				
3	J0A-K8401-10	SEAT SUB-ASSY,CUSHION	1				
4	J0B-K8361-00	ARM REST 1	1				
5	J0B-F1738-00	BOLT	4				
6	J0B-K8362-00	ARM REST 2	1				
7	J0B-F1738-00	BOLT	4				
8	J0B-K8426-01	HINGE, SEAT 1	2				
9	90110-06125	BOLT, HEXAGON SOCKET HEAD	4				
10	JW1-K8402-10	SEAT SUB ASSY, BACK	1				
11	90119-06808	BOLT, WITH WASHER	4				

**FIG. 17 ELECTRIC MOTOR**



J0H1100-U170

REF. NO.	PART NO.	DESCRIPTION	J0E4				REMARKS
1	JW3-H1890-10	MOTOR ASSY	1				
2	JW3-H183J-00	.BRACKET, FRONT	1				
3	JW3-H3756-00	.SENSOR, UNIT	1				
4	JW3-H1155-00	.ARMATURE	1				
5	JW3-H2379-00	.SCREW, UNIT	1				
6	JW3-H1117-10	.STATOR	1				
7	JW3-H165G-00	.PLTE, TERMINAL	1				
8	JW3-H182J-00	.BRACKET COMPLETE	1				
9	JW3-H1869-00	.COVER, DUST	1				
10	JW3-H182V-00	.NUT & WASHER KIT	1				
11	90101-069U0	BOLT	3				
12	90215-06811	WASHER, LOCK	3				
13	90201-068E2	WASHER, PLATE	2				
14	JU2-H218E-01	RELIEF, STRAIN 1	1				

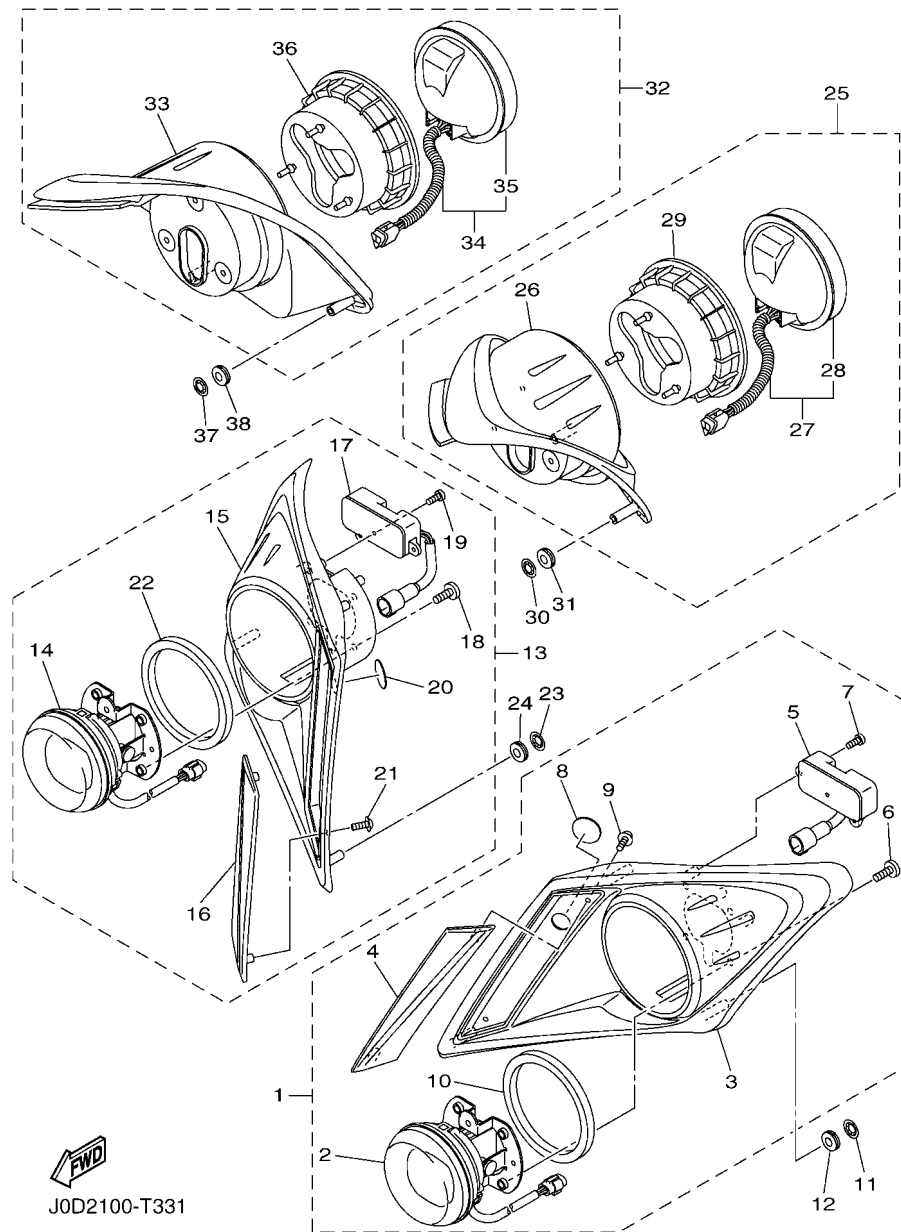
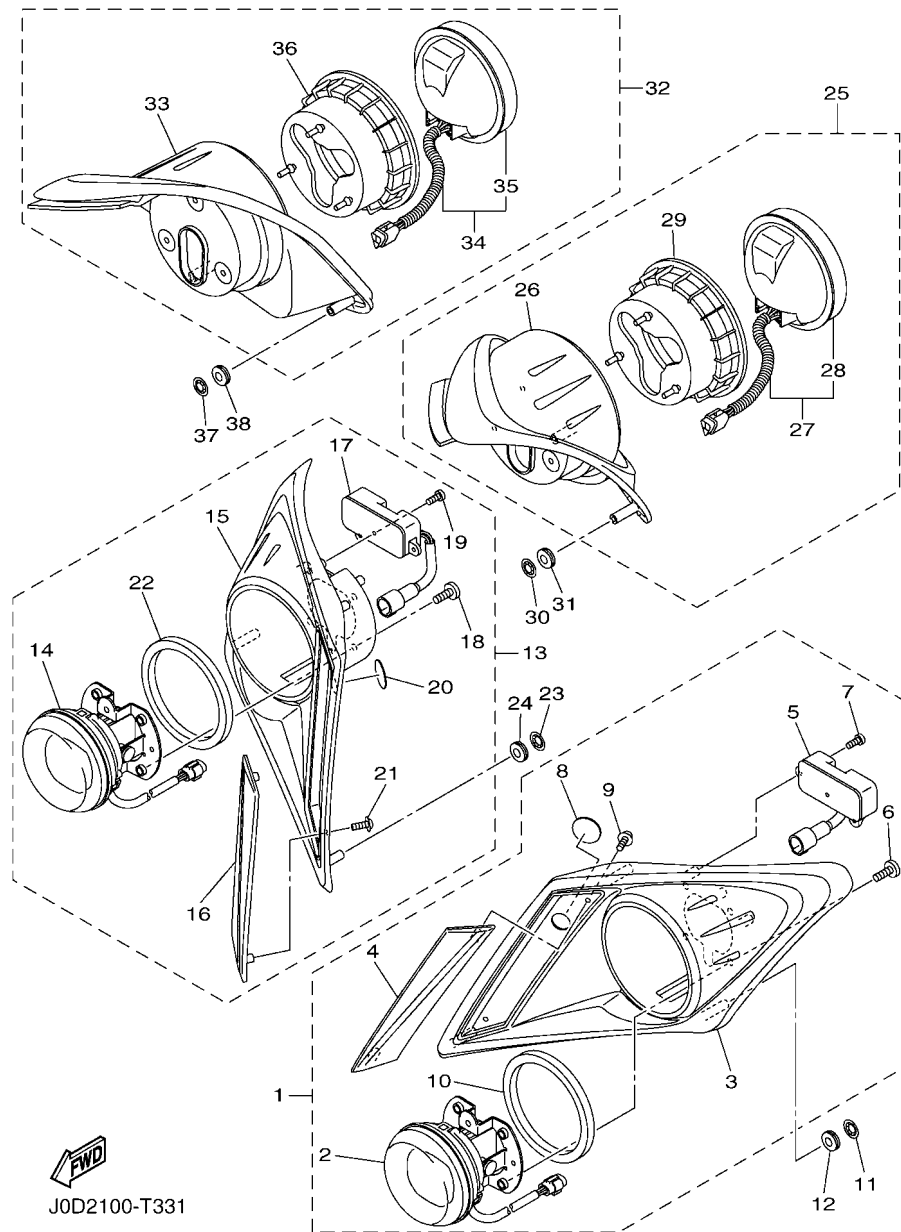


FIG. 18 HEAD & TAIL LIGHT

REF. NO.	PART NO.	DESCRIPTION	JOE#				REMARKS
1	J0D-H4110-01	HEADLIGHT UNIT ASSY	1				
2	J0D-H4300-00	.HEADLIGHT ASSY	1				
3	J0D-H411T-00	.HOLDER, 1	1				
4	J0D-H4385-00	.CAP,1	1				
5	J0D-H5490-01	.LIGHT CONTROL UNIT	1				
6	J0D-H4526-00	.SCREW	4				
7	J0D-H4726-00	.SCREW	3				
8	J0D-H3547-00	.COVER, SOCKET	1				
9	J0D-H4524-00	.SCREW, LENS FITTING	2				
10	J0D-H4195-00	.RING, RETAINING	1				
11	90183-08800	NUT, SPRING	3				
12	90480-13016	GROMMET	3				
13	J0D-H4170-01	HEAD LIGHT UNIT ASSY	1				
14	J0D-H4300-00	.HEADLIGHT ASSY	1				
15	J0D-H411U-00	.HOLDER, 2	1				
16	J0D-H4386-00	.CAP,2	1				
17	J0D-H5490-01	.LIGHT CONTROL UNIT	1				
18	J0D-H4526-00	.SCREW	4				
19	J0D-H4726-00	.SCREW	3				
20	J0D-H3547-00	.COVER, SOCKET	1				
21	J0D-H4524-00	.SCREW, LENS FITTING	2				
22	J0D-H4195-00	.RING, RETAINING	1				
23	90183-08800	NUT, SPRING	3				
24	90480-13016	GROMMET	3				
25	J0D-H4710-01	TAILLIGHT UNIT ASSY	1				
26	J0D-H431U-00	.HOLDER	1				
27	J0D-H4700-01	.TAILLIGHT ASSY	1				

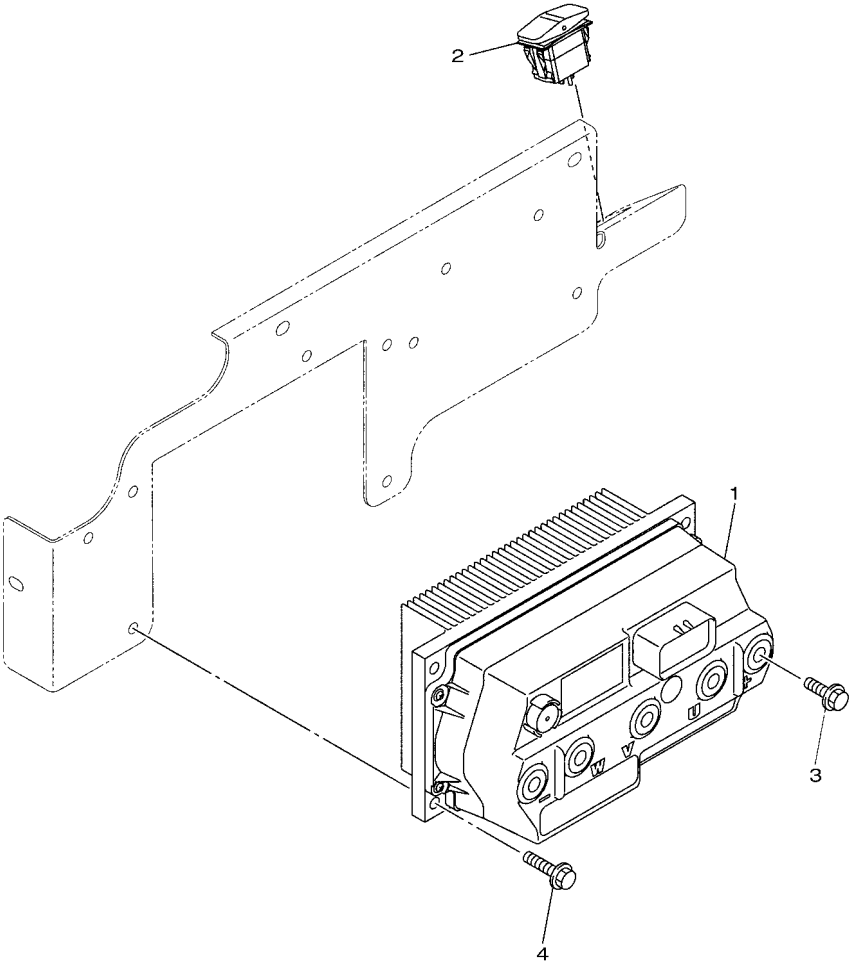


J0D2100-T331

FIG. 18 HEAD & TAIL LIGHT

REF. NO.	PART NO.	DESCRIPTION	JOE#				REMARKS
28	JC0-H4514-01	.BULB	1				
29	J0D-H4718-00	.GROMMET	1				
30	90183-08800	NUT, SPRING	2				
31	90480-13016	GROMMET	2				
32	J0D-H4730-01	TAILLIGHT UNIT ASSY	1				
33	J0D-H4387-00	.HOLDER	1				
34	J0D-H4700-01	.TAILLIGHT ASSY	1				
35	JC0-H4514-01	.BULB	1				
36	J0D-H4718-00	.GROMMET	1				
37	90183-08800	NUT, SPRING	2				
38	90480-13016	GROMMET	2				

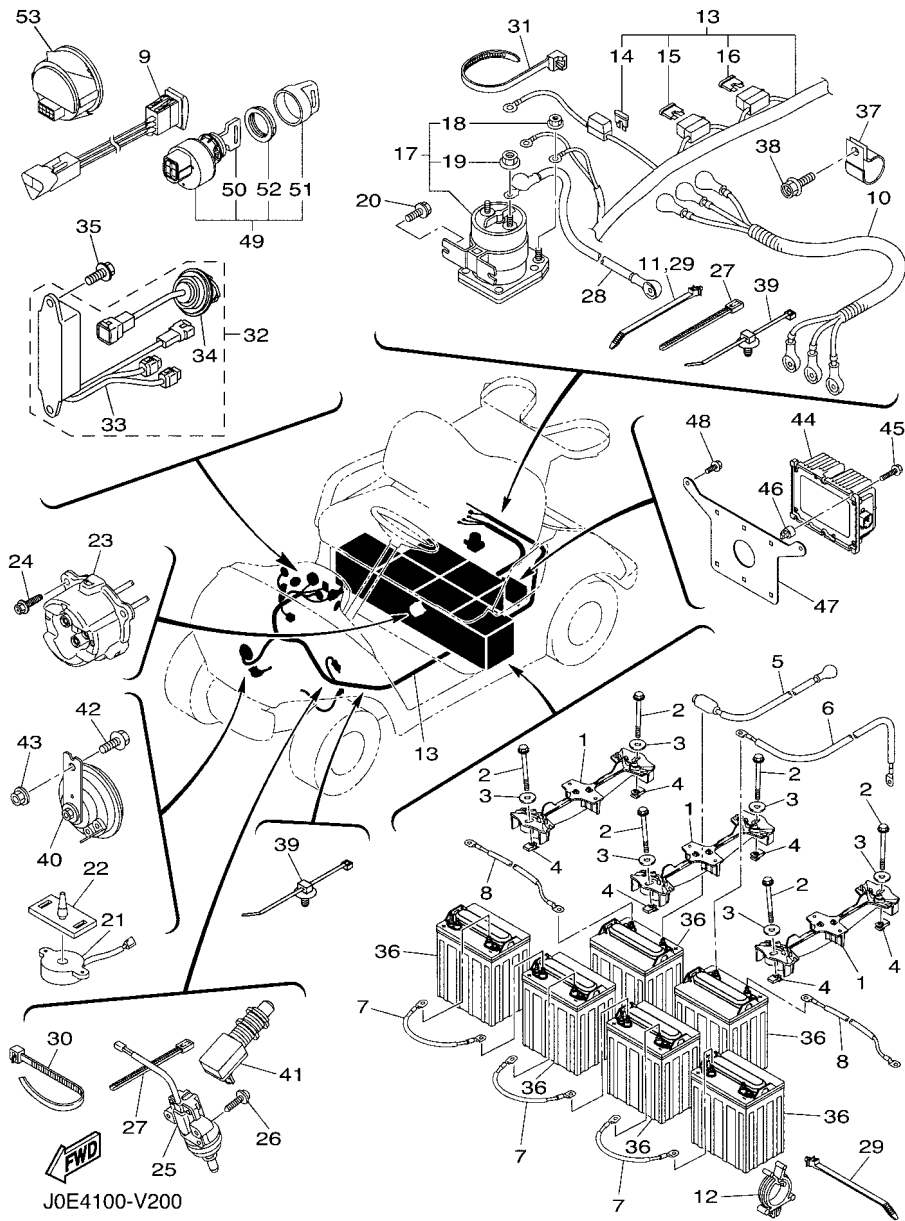
**FIG. 19 CONTROLLER 1**



JC18110-P190

REF. NO.	PART NO.	DESCRIPTION	JOE4			REMARKS
1	JC1-86510-10	MOTOR CONTROL UNIT ASSY	1			
2	JW2-H2727-00	SWITCH	1			
3	97527-08516	BOLT, WITH WASHER	5			
4	90105-06833	BOLT, FLANGE	4			
<hr/>						
<hr/>						
<hr/>						
<hr/>						
<hr/>						
<hr/>						
<hr/>						
<hr/>						
<hr/>						
<hr/>						





**FIG. 20 ELECTRICAL 1**

REF. NO.	PART NO.	DESCRIPTION	JOE#	REMARKS
1	JW9-H2136-00	PLATE, BATTERY FITTING	3	
2	JW9-H1892-00	BOLT, SPECIAL	6	
3	90201-08310	WASHER, PLATE	6	
4	JW9-K811K-00	NUT, TRIM FITTING	6	
5	JC1-H2115-00	WIRE, PLUS LEAD	1	
6	JC1-H2116-00	WIRE, MINUS LEAD	1	
7	JC1-H2127-00	WIRE, LEAD 2	3	
8	JC1-H2149-00	WIRE, LEAD 3	2	
9	JU2-H2917-00	SWITCH	1	
10	JC1-H1441-00	LEAD WIRE ASSY	1	
11	90464-76800	CLAMP	1	
12	90464-25826	CLAMP	3	
13	J0E-H2590-01	WIRE HARNESS ASSY	1	
14	J0E-H2151-00	.FUSE (10A)	1	
15	JR1-H2151-00	.FUSE (3A)	1	
16	J0E-H2151-10	.FUSE (1A)	1	
17	JU6-H1950-00	RELAY ASSY	1	
18	90179-05807	.NUT	2	
19	90179-08824	.NUT	2	
20	90105-06831	BOLT, FLANGE	2	
21	JR1-H3383-02	BUZZER	1	
22	JN6-H3386-01	STAY, BUZZER	1	
23	JW9-H6181-00	RECEPTACLE	1	
24	JW1-F3394-00	BOLT, SPECIAL	3	
25	JF7-82817-22	SWITCH	1	
26	97602-05225	SCREW, PAN HEAD WITH WASHER	2	
27	90464-40825	CLAMP	2	

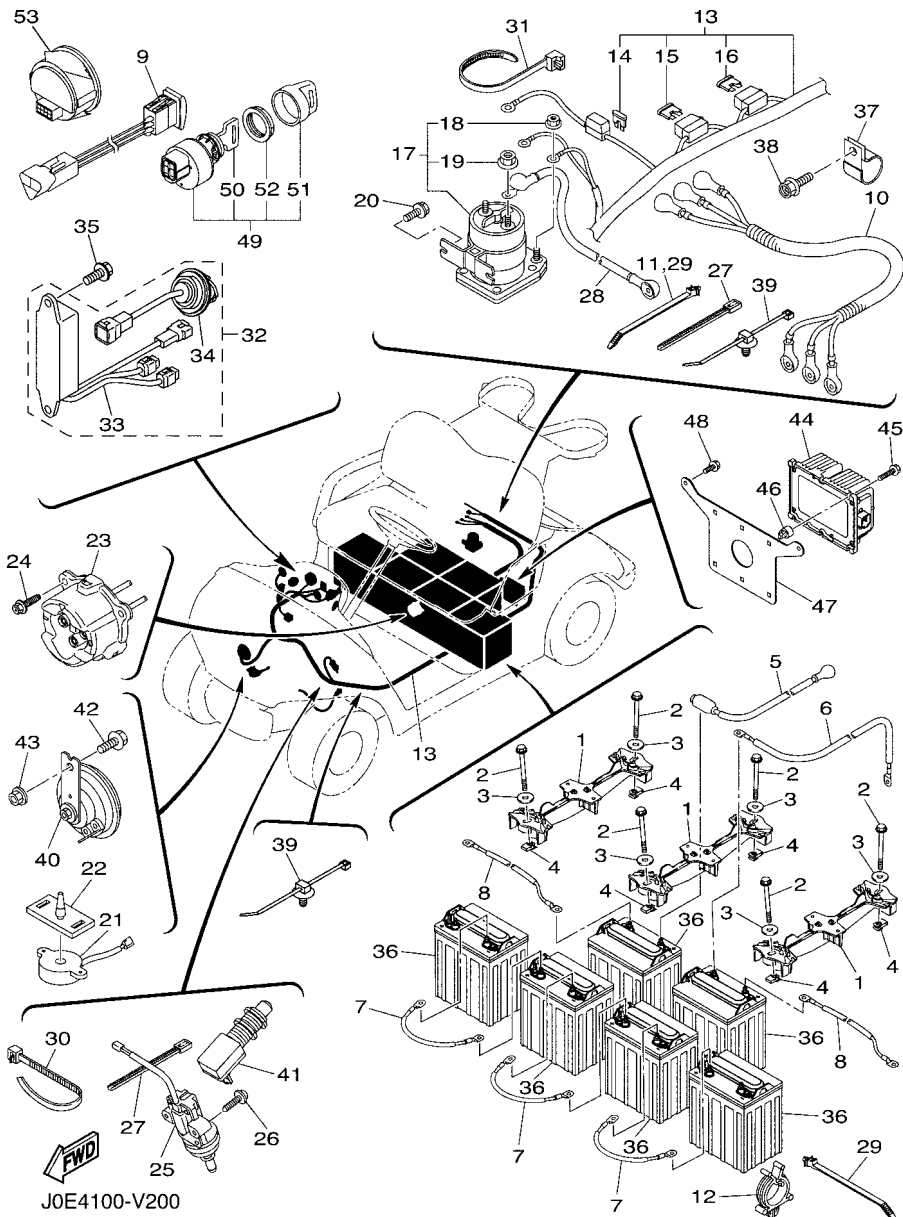
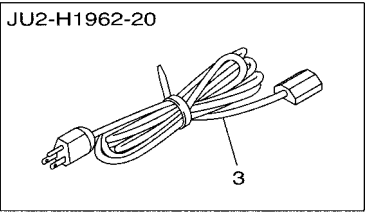
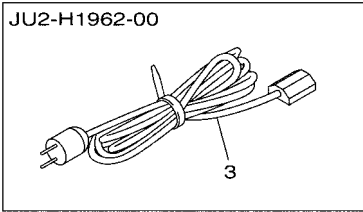
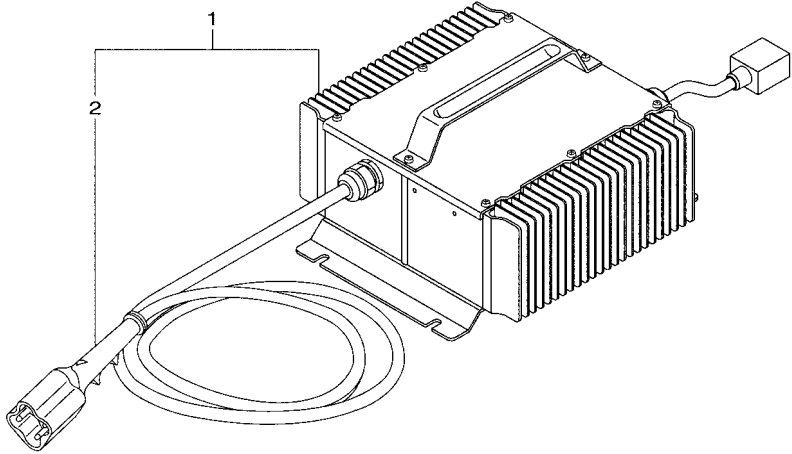


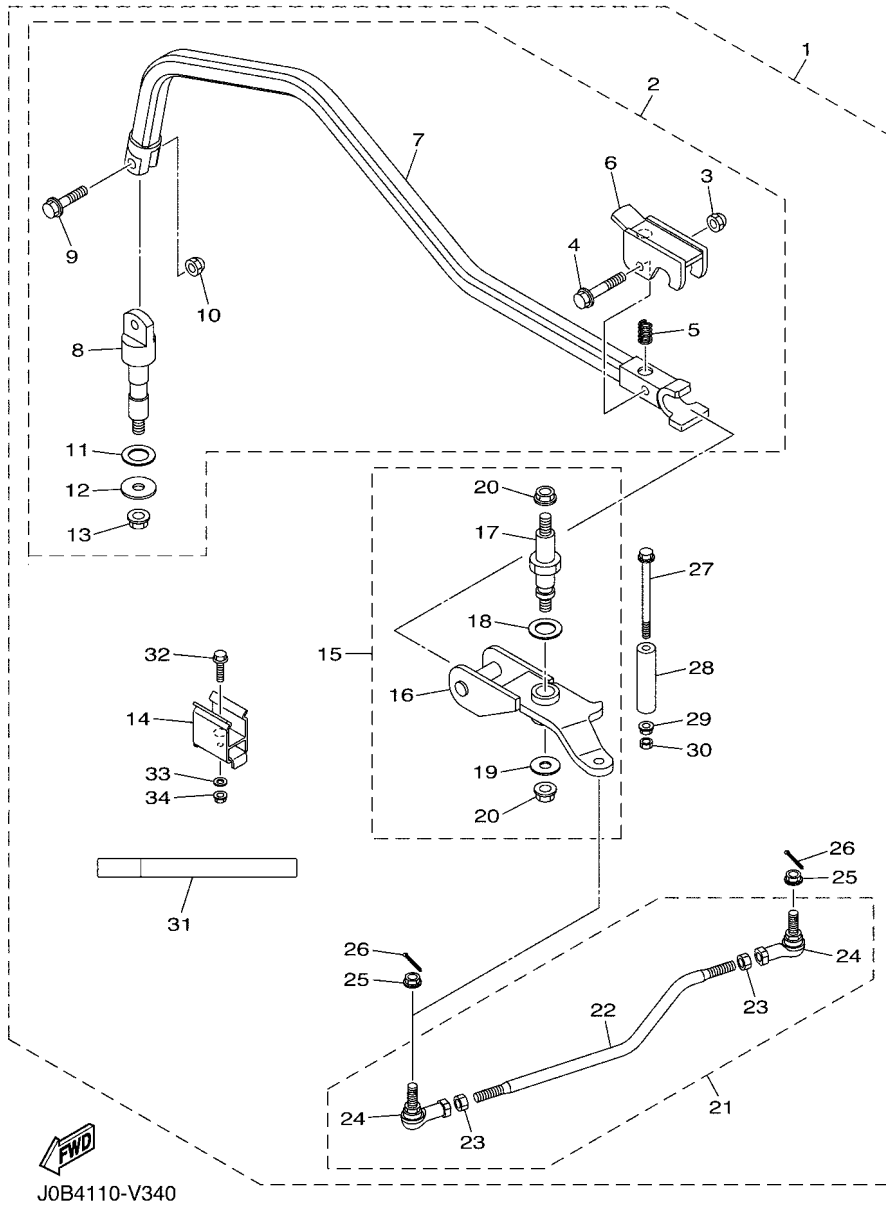
FIG. 20 ELECTRICAL 1

REF. NO.	PART NO.	DESCRIPTION	JOE#	REMARKS
28	J0E-H6527-00	WIRE 7	1	
29	90464-20005	CLAMP	6	
30	90464-48800	CLAMP	3	
31	90464-51800	CLAMP	2	213X7.60
32	J0E-H21E0-02	USB ASSY	1	
33	J0E-H21E1-01	.PLUG, USB	1	
34	J0D-H21E2-01	.CABLE, USB	2	
35	90119-06868	BOLT, WITH WASHER	2	
36	*	BATTERY ASSY (8V, GC8)	6	LM
37	90461-14108	CLAMP	1	
38	90105-08867	BOLT, FLANGE	1	
39	1NS-F1338-00	CLAMP	3	
40	4LR-83371-11	HORN	1	
41	JR6-H270X-00	SWITCH	1	
42	95822-06016	BOLT, FLANGE	1	
43	95702-06500	NUT, FLANGE	1	
44	J0E-81910-00	VOLTAGE REGULATOR ASSY	1	
45	JC1-H252V-00	SCREW, SPECIAL	6	
46	JC1-H397K-10	NUT, INSERT	6	
47	JC1-F7876-40	BRACKET, SWITCH	1	
48	90105-06831	BOLT, FLANGE	2	
49	JW6-H2510-00	MAIN SWITCH ASSY	1	
50	JU6-H2511-10	.KEY, MAIN SWITCH	2	
51	5UG-H2579-00	.CAP, KEY	1	
52	JU6-H2569-00	.NUT, MAIN SWITCH	1	
53	JC1-H351B-01	GAUGE, BATTERY	1	

FIG. 21 BATTERY CHARGER

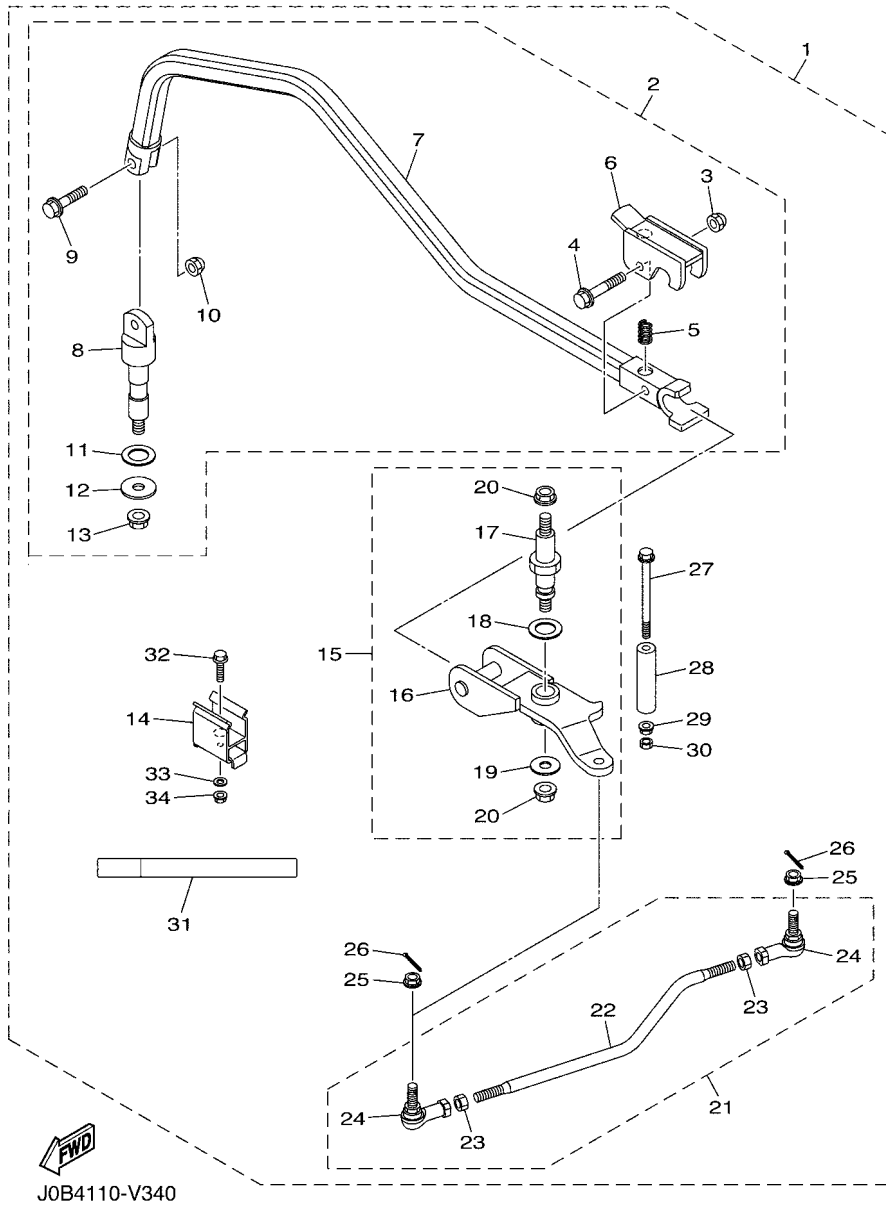
REF. NO.	PART NO.	DESCRIPTION	JOE4				REMARKS
1	JW2-H2107-51	CHARGER, BATTERY	1				
2	JW2-H7209-20	.CHARGE CORD ASSY	1				
3	JU2-H1962-00	CORD COMP. (220V)	1				UR
	JU2-H1962-20	CORD COMP. (100V)	1				UR
-----							
-----							
-----							
-----							
-----							
-----							
-----							
-----							
-----							
-----							
-----							
-----							
-----							
-----							
-----							





**FIG. 22 ALTERNATE FOR CHASSIS**

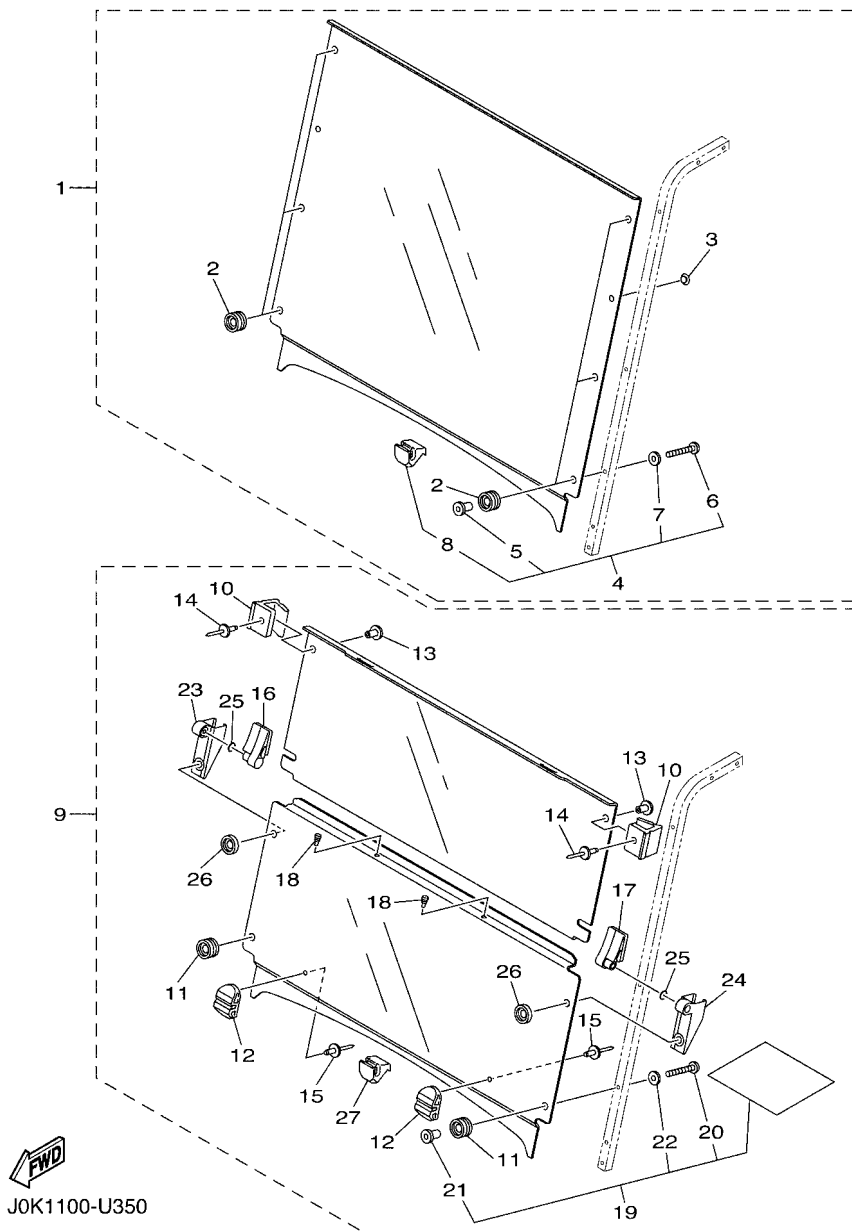
REF. NO.	PART NO.	DESCRIPTION	JOE#				REMARKS
1	J0B-F722B-A3	BAR, TOW	1				AP
2	J0B-F389J-A0	.DRAW BAR ASSY	1				
3	J0B-F4681-00	..NUT, CAP	1				
4	95802-10050	..BOLT, FLANGE	1				
5	J0B-F178D-A0	..SPRING, HOOK	1				
6	J0B-F381J-A0	..BAR, HANDLE	1				
7	J0B-F7224-00	..BAR, PEDAL LINK	1				
8	J0B-F2141-00	..SHAFT, PIVOT	1				
9	95802-10035	..BOLT, FLANGE	1				
10	J0B-F4681-00	..NUT, CAP	1				
11	J0B-F3418-00	..WASHER, SPECIAL	1				
12	90201-128S4	..WASHER, PLATE	1				
13	95602-12200	..NUT, SELF-LOCKING	1				
14	J0B-F5522-00	.HOLDER	1				
15	J0B-F389K-A1	.ARM PIVOT ASSY	1				
16	J0B-F389G-00	..ARM, PIVOT	1				
17	J0B-F3849-A0	..SHAFT 1	1				
18	90201-208S8	..WASHER, PLATE	1				
19	J0B-F3392-00	..WASHER, SPECIAL	1				
20	95602-12200	..NUT, SELF-LOCKING	2				
21	J0B-F3880-A0	..TIE ROD ASSEMBLY 3	1				
22	J0B-F383A-00	..TIE ROD ASSEMBLY 3	1				
23	95302-10600	..NUT, HEXAGON	2				
24	J0B-F3841-A0	..JOINT, UNIVERSAL 1	2				
25	95602-10200	..NUT, S/L FLANGE	2				
26	91402-25020	..PIN, COTTER	2				
27	90105-088A9	..BOLT, FLANGE	1				



**FIG. 22 ALTERNATE FOR CHASSIS**

REF. NO.	PART NO.	DESCRIPTION	JOE4	REMARKS
28	J0B-F3432-00	.STOPPER, STEERING 1	1	
29	95602-08200	.NUT, U FLANGE	1	
30	95602-08100	.NUT, U	1	
31	J0B-K7761-A0	.LABEL, WARNING 1	1	
32	95812-06025	.BOLT, FLANGE	1	
33	90201-06102	.WASHER, PLATE	1	
34	95602-06200	.NUT, SELF-LOCKING	1	

**FIG. 23 ALTERNATE FOR WINDSHIELD**

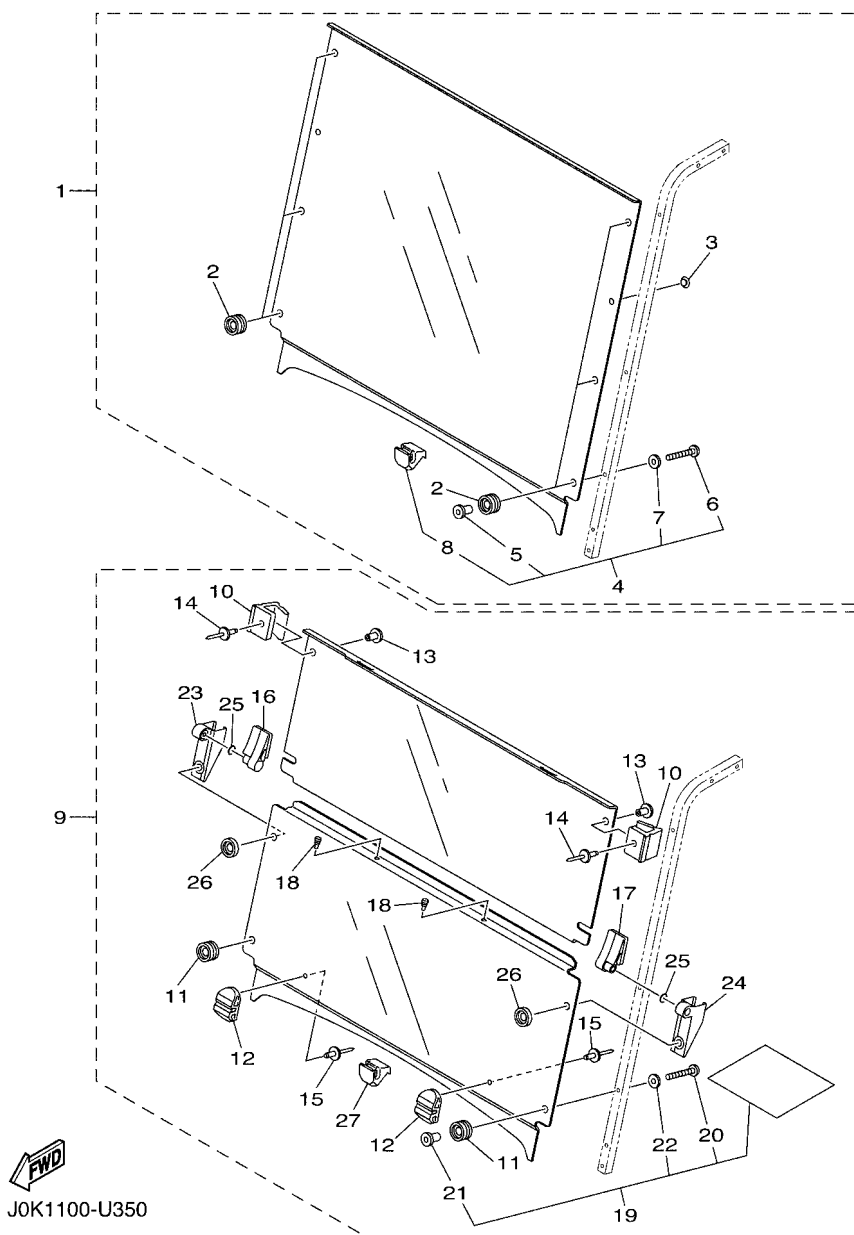


J0K1100-U350

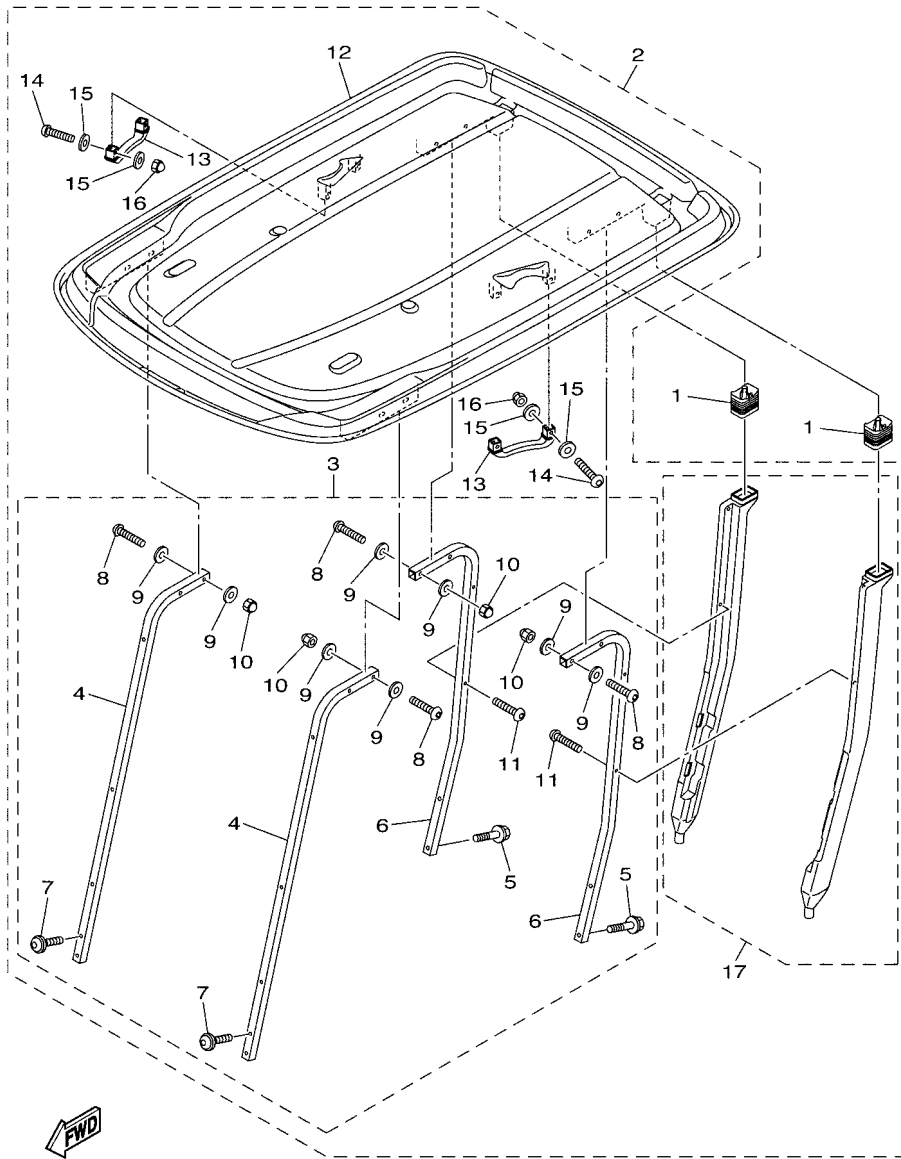
REF. NO.	PART NO.	DESCRIPTION	JOE#				REMARKS
1	J0B-K7200-01	WINDSHIELD ASSY	1				UR AP CLEAR
	J0B-K7200-11	WINDSHIELD ASSY	1				UR AP SMOKE
2	J0B-K7237-00	.GROMMET	6				
3	J0B-K7238-00	.DAMPER	2				
4	J0B-K7240-01	.WIND SHIELD HARDWARE KIT 1	1				
5	J0B-K7217-00	..NUT, WIND SHIELD	6				
6	J0B-K7248-00	..SCREW 1	6				
7	J0B-K7218-00	..WASHER 1	6				
8	J0B-K838A-20	..RETAINER 1	1				
9	J0B-K7200-24	WINDSHIELD ASSY	1				UR AP CLEAR
	J0B-K7200-34	WINDSHIELD ASSY	1				UR AP SMOKE
10	J0B-K7173-21	..LEVER, LATCH 1	2				
11	J0B-K7237-00	.GROMMET	2				
12	J0B-K7257-20	.GROMMET, W/S 3	2				
13	J0G-K7155-C0	.RIVET 1	2				
14	J0G-K7156-C0	.RIVET 2	2				
15	J0B-K7155-20	.RIVET 1	2				
16	J0B-K7145-20	.HINGE 1	1				
17	J0B-K7146-20	.HINGE 2	1				
18	J0B-K7529-20	.SPACER, BUMPER	2				
19	J0B-K7240-20	.WIND SHIELD HARDWARE KIT 1	1				
20	J0B-K7248-00	..SCREW 1	4				
21	J0B-K7217-00	..NUT, WIND SHIELD	4				
22	J0B-K7218-00	..WASHER 1	4				
23	J0B-K7147-20	.HINGE 3	1				
24	J0B-K7148-20	.HINGE 4	1				
25	J0B-F3147-20	.O-RING	2				

**FIG. 23 ALTERNATE FOR WINDSHIELD**

REF. NO.	PART NO.	DESCRIPTION	JOE4		REMARKS
26	J0B-K7247-00	.GROMMET, W/S 2	2		
27	J0B-K838A-20	.RETAINER 1	1		
-----					
-----					
-----					
-----					
-----					
-----					
-----					
-----					



**FWD**  
J0K1100-U350

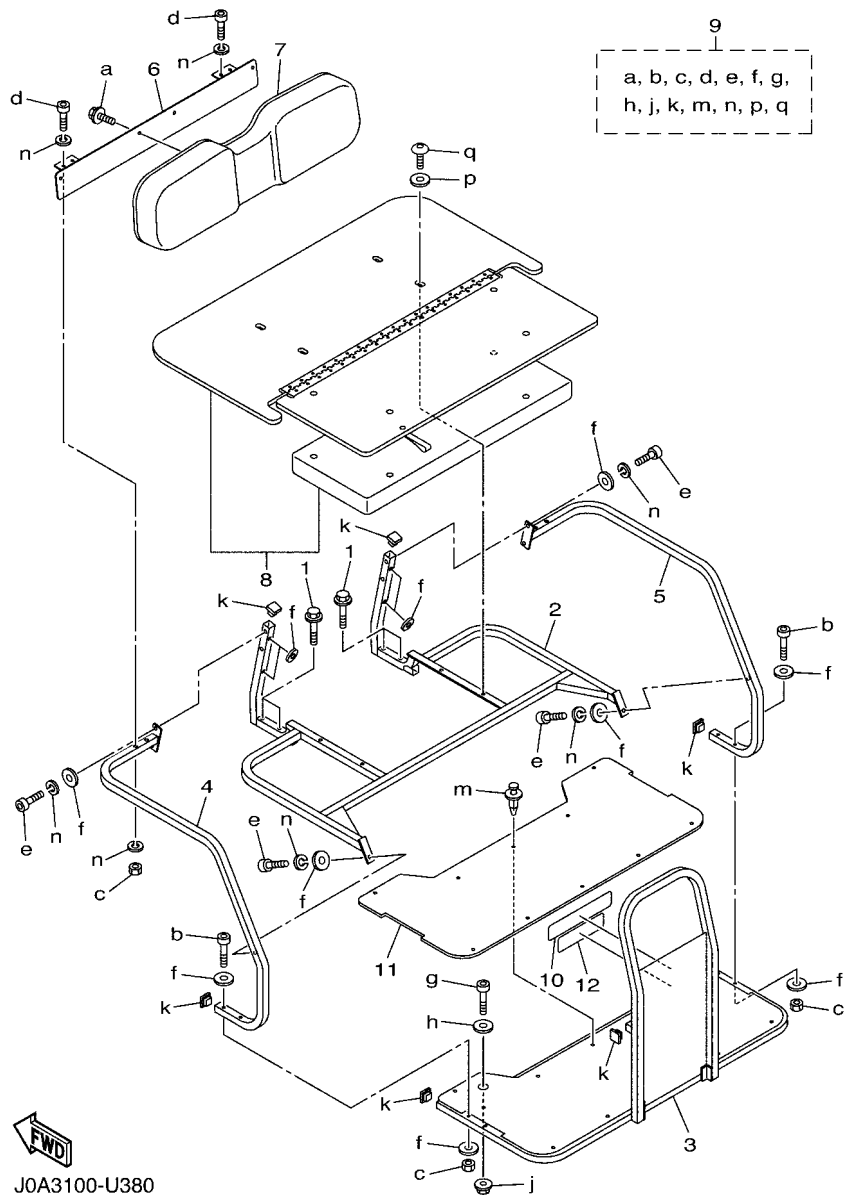


J0A2100-T370

FIG. 24 ALTERNATE FOR SUN ROOF

REF. NO.	PART NO.	DESCRIPTION	JOE#	REMARKS
1	JW1-F414G-10	SEAL	2	
2	J0B-K84A0-00	SUN TOP KIT	1	UR AP TAN
	J0B-K84A0-10	SUN TOP KIT	1	UR AP BLACK
3	J0B-K84A2-00	.HARDWARE KIT, SUN TOP	1	
4	J0B-K8312-00	..SUPPORT, SUN ROOF 1	2	
5	JW1-K8388-00	..BOLT, ROOF 1	4	
6	JW1-K8313-01	..SUPPORT, SUN ROOF 2	2	
7	J0B-K8388-00	..BOLT, ROOF 1	4	
8	JU0-K8388-00	..BOLT, ROOF 1	8	
9	JW1-F1549-01	..WASHER, FENDER MOLD	16	
10	JU0-K8398-00	..NUT, ROOF 1	8	
11	JW1-K7387-00	..SCREW	4	
12	JW1-K8314-10	..COVER, SUN ROOF	1	UR TAN
	JW1-K8314-21	..COVER, SUN ROOF	1	UR BLACK
13	JW1-K8214-00	..GRIP, HAND	2	
14	JU0-K8388-00	..BOLT, ROOF 1	4	
15	JW1-F1549-01	..WASHER, FENDER MOLD	8	
16	JU0-K8398-00	..NUT, ROOF 1	4	
17	J0B-F417A-00	..DRAIN TUBE ASSY	1	





J0A3100-U380

**FIG. 25 ALTERNATE FOR SEAT**

REF. NO.	PART NO.	DESCRIPTION	J0E4	REMARKS
1	90109-08178	BOLT	4	
2	J0B-K8460-00	SEAT FRAME COMP.	1	
3	J0B-K8477-00	FLOOR ASSEMBLY	1	
4	J0B-K8473-00	HANDRAIL ASSEMBLY (LH)	1	
5	J0B-K8474-00	HANDRAIL ASSEMBLY (RH)	1	
6	J0B-K8432-00	BRACKET, SEAT SUPPORT 2	1	
7	J0B-K8402-00	SEAT SUB ASSY, BACK	1	UR TAN
	J0B-K8402-10	SEAT SUB ASSY, BACK	1	UR BLACK
8	J0B-K8480-00	SEAT BOTTOM COMPLETE 1	1	UR TAN
	J0B-K8480-10	SEAT BOTTOM COMPLETE 1	1	UR BLACK
9	J0B-F47E2-00	HARDWARE KIT, TANDEM SEAT	1	
10	J0B-K8483-00	LABEL WARNING	1	
11	J0B-K8466-00	MAT, RUBBER	1	
12	J0B-F1696-00	LABEL, CAUTION	1	

NUMERICAL INDEX

PART NO.	REF. NO.	PART NO.	REF. NO.	PART NO.	REF. NO.	PART NO.	REF. NO.	PART NO.	REF. NO.	PART NO.	REF. NO.
401-22128-01	3 - 16	JW7-F312H-00	5 - 4	J0B-F4161-00	11 - 2	JW8-F7281-00	7 - 16	JN3-G6432-00	8 - 20	J0D-H3547-00	18 - 8
2NL-23448-00	3 - 9	J0G-F3145-00	6 - 57	J0B-F417A-00	24 - 17	JW8-F7286-00	7 - 10	JR1-G6511-00	8 - 25	J0D-H360G-00	18 - 20
2NL-23517-00	3 - 11	J0B-F3147-20	23 - 25	JW8-F41B8-00	6 - 51		7 - 21	JR1-G6512-00	8 - 26	J0D-H360H-00	12 - 20
2HR-23526-00	3 - 3	JW1-F3183-00	4 - 12	JW8-F4486-00	6 - 44	JW8-F7290-10	7 - 2	JW8-G6514-00	8 - 31	J0D-H360H-00	12 - 21
JW8-23841-01	4 - 27	JW8-F3183-00	6 - 17		6 - 48	J0G-F7313-00	6 - 12	JW3-G6521-00	8 - 37	JW3-H3756-00	17 - 3
J38-27204-00	7 - 15	J0C-F3350-00	3 - 14	JW9-F4648-20	6 - 50	JW8-F7316-01	6 - 31	JW3-H1117-10	17 - 6	JC1-H397K-10	20 - 46
J38-27205-00	7 - 4	J0C-F3390-00	3 - 19	JW1-F467K-00	4 - 23	JW8-F7317-00	6 - 40	JW3-H1155-00	17 - 4	J0D-H4110-01	18 - 1
J55-27260-00	7 - 9	J0B-F3392-00	22 - 19	J0B-F4681-00	22 - 3	JW8-F7318-00	6 - 21	JC1-H1441-00	20 - 10	J0D-H411T-00	18 - 3
J55-27270-00	7 - 20	JW1-F3394-00	20 - 24		22 - 10	JW8-F7322-00	6 - 16	JW3-H165G-00	17 - 7	J0D-H411U-00	18 - 15
J10-27282-00	7 - 6	JW1-F3400-00	4 - 10	J0B-F47E2-00	25 - 9	J0E-F7411-01	2 - 5	JW9-H1674-00	16 - 1	J0D-H4170-01	18 - 13
	7 - 17	J0B-F3418-00	22 - 11	JC1-F5100-01	9 - 1	J0G-F7416-00	6 - 9	JW3-H182J-00	17 - 8	J0D-H4195-00	18 - 10
J0E-81910-00	20 - 44	J0B-F3432-00	22 - 28	JC1-F5103-00	3 - 21	JW8-F7426-01	6 - 18	JW3-H182V-00	17 - 10		
JF7-82817-22	20 - 25	J0B-F3447-00	12 - 2	JW8-F5118-00	8 - 38	JW8-F7434-00	6 - 39	JW3-H183J-00	17 - 2	J0D-H4300-00	18 - 2
4LR-83371-11	20 - 40		12 - 5	JN6-F5118-01	3 - 29	JW8-F7435-00	6 - 56	JW3-H1869-00	17 - 9		
JC1-86510-10	19 - 1		12 - 13	JW8-F5415-00	6 - 26	JW8-F7438-00	6 - 38	JW3-H1890-10	17 - 1	J0D-H431U-00	18 - 24
J0B-F125J-00	2 - 19	5UG-F3489-00	4 - 20	J0B-F5522-00	22 - 14	J0H-F7445-10	6 - 33	JW9-H1892-00	20 - 2	J0D-H4385-00	18 - 4
1NS-F1338-00	20 - 39	JU0-F3511-20	3 - 4	JW9-F5666-00	6 - 13	J0G-F7814-00	6 - 23	JU6-H1950-00	20 - 17	J0D-H4386-00	18 - 16
JW1-F1549-01	24 - 9	JW1-F3512-00	3 - 5	J0G-F5671-00	6 - 4	JW8-F7814-21	6 - 3	JU2-H1962-00	21 - 3	J0D-H4387-00	18 - 33
	24 - 15	JU0-F3521-20	3 - 12	JW9-F5673-00	6 - 45	J0G-F7825-00	6 - 28	JU2-H1962-20	21 - 3	JC0-H4514-01	18 - 28
J0B-F1696-00	25 - 12	5UG-F3527-00	4 - 21	JW8-F5681-10	5 - 5	J0H-F7850-20	6 - 1	JW2-H2107-51	21 - 1		
J0B-F1738-00	2 - 6	J0B-F3570-10	3 - 1	JN6-F5685-01	5 - 6	J0H-F7853-10	6 - 35	JC1-H2115-00	20 - 5	J0D-H4524-00	18 - 9
	12 - 9	J0G-F3811-00	4 - 1	JW9-F5827-00	6 - 53	J0G-F7854-00	6 - 5	JC1-H2116-00	20 - 6		
	12 - 14	JW1-F3812-00	4 - 13	JW9-F5827-10	6 - 53	J0G-F7871-01	6 - 36	JC1-H2127-00	20 - 7	J0D-H4526-00	18 - 6
	16 - 5	J0B-F381J-A0	22 - 6	J0G-F5922-00	6 - 43	J0H-F7872-00	6 - 37	JW9-H2136-00	20 - 1		
	16 - 7	JW1-F3822-01	4 - 29	JC0-F6280-11	15 - 1	JC1-F7876-40	20 - 47	JC1-H2149-00	20 - 8	J0D-H4700-01	18 - 27
JW1-F1738-00	2 - 8	JU0-F3828-10	4 - 4	JC0-F6291-11	15 - 2	J0G-F815H-10	6 - 42	J0E-H2151-00	20 - 14		
	2 - 11	1P0-F3833-00	4 - 26	JW8-F6314-00	6 - 22	JC0-F831W-20	15 - 3	JR1-H2151-00	20 - 15	J0D-H4710-01	18 - 25
J0E-F1781-00	12 - 18	JW1-F3837-00	4 - 22	JW9-F632G-00	6 - 54	JW8-F8323-00	6 - 25	J0E-H2151-10	20 - 16	J0D-H4718-00	18 - 29
J0E-F1781-10	12 - 18	J0B-F3838-00	4 - 6	JW9-F6351-10	5 - 1	JW8-F8331-00	6 - 47	JU2-H218E-01	17 - 14		
J0E-F1782-00	12 - 19	J0B-F383A-00	22 - 22	JW8-F639N-00	6 - 10	JC0-F834N-20	15 - 4	J0E-H21E0-02	20 - 32	J0D-H4726-00	18 - 7
J0E-F1782-10	12 - 19	J0B-F3841-A0	22 - 24	JW8-F7118-00	6 - 41	JW8-F8363-00	6 - 8	J0E-H21E1-01	20 - 33		
J0B-F178D-A0	22 - 5	5UG-F3844-00	4 - 19	JW8-F7119-00	6 - 29	JW8-G2535-00	8 - 34	J0D-H21E2-01	20 - 34	J0D-H4730-01	18 - 32
J0C-F2110-00	1 - 1	J0B-F3849-A0	22 - 17	JW8-F7121-00	6 - 14	JW8-G2536-00	8 - 35	J0B-H2370-00	11 - 14	J0D-H5490-01	18 - 5
JN6-F2123-20	1 - 2	JU0-F3857-20	4 - 3	J0G-F7200-02	6 - 2	JW8-G2541-00	8 - 39	JW3-H2379-00	17 - 5		
JN6-F2124-10	1 - 6		4 - 5	JW8-F7213-20	6 - 34	JW8-G2756-00	8 - 36	JW6-H2510-00	20 - 49	JW9-H5885-00	6 - 52
J0B-F2127-00	2 - 14	JW1-F3866-00	4 - 24	JW8-F7217-00	6 - 32	JH7-G3396-01	8 - 9	JU6-H2511-10	20 - 50	JW9-H6181-00	20 - 23
J0B-F2141-00	22 - 8	JW1-F387A-00	4 - 11	J0G-F7218-00	6 - 11	JW8-G4178-00	8 - 32	JC1-H252V-00	20 - 45	J0E-H6527-00	20 - 28
JW1-F217G-10	1 - 10	JW1-F387E-00	4 - 14	JW9-F7221-00	6 - 15	JW8-G5244-00	8 - 33	JU6-H2569-00	20 - 52	JW2-H7209-20	21 - 2
JW9-F2198-10	2 - 10	5UG-F387F-00	4 - 17	J0B-F7224-00	22 - 7	JW8-G5378-00	8 - 22	5UG-H2579-00	20 - 51	J0B-K7115-00	4 - 37
J0E-F2210-00	1 - 14	5UG-F387G-00	4 - 15	JW9-F7228-00	6 - 24	JW9-G6136-00	8 - 8	J0E-H2590-01	20 - 13	J0B-K7145-20	23 - 16
JW9-F2417-00	2 - 9	5UG-F387J-00	4 - 18	J0B-F722B-A3	22 - 1	J0E-G6300-01	7 - 1	JR6-H270X-00	20 - 41	J0B-K7146-20	23 - 17
J0A-F2501-10	2 - 1	5UG-F387K-00	4 - 16	JW9-F7231-10	6 - 19		8 - 1	JW2-H2727-00	19 - 2	J0B-K7147-20	23 - 23
JC1-F252M-10	2 - 4	J0B-F3880-A0	22 - 21	JW9-F7232-00	6 - 20	JW9-G6312-00	8 - 19	JU2-H2917-00	20 - 9	J0B-K7148-20	23 - 24
JW9-F2535-00	2 - 7	JW1-F3894-00	4 - 25	JW9-F7245-10	6 - 30	JW9-G631A-00	8 - 18	J0D-H333B-00	11 - 15	J0B-K7155-20	23 - 15
J0B-F255G-00	2 - 2	J0B-F389G-00	22 - 16	JW9-F7246-20	6 - 46	JW9-G6321-00	8 - 3	J0D-H334B-00	11 - 16	J0G-K7155-C0	23 - 13
J0B-F258E-10	2 - 12	J0B-F389J-A0	22 - 2	JW9-F7263-00	6 - 49	JW9-G6350-00	8 - 11	JR1-H3383-02	20 - 21	J0G-K7156-C0	23 - 14
J0B-F2873-01	12 - 15	J0B-F389K-A1	22 - 15	JW8-F7280-10	7 - 13	JW9-G6410-00	8 - 15	JN6-H3386-01	20 - 22	J0B-K7173-21	23 - 10
J0B-F2874-01	12 - 16	JW1-F414G-10	24 - 1	JW8-F7281-00	7 - 5	JW9-G6421-00	8 - 13	JC1-H351B-01	20 - 53	JC0-K7178-00	15 - 6

NUMERICAL INDEX

PART NO.	REF. NO.	PART NO.	REF. NO.	PART NO.	REF. NO.	PART NO.	REF. NO.	PART NO.	REF. NO.	PART NO.	REF. NO.
J0B-K7200-01	23 - 1	J0D-K8112-70	12 - 4	JW9-K8297-01	12 - 22	J0B-K84A2-00	24 - 3	90185-12811	1 - 8	90480-13016	18 - 38
J0B-K7200-11	23 - 1	J0D-K8112-80	12 - 4	JW9-K8297-11	12 - 22	JN9-W2536-11	7 - 3		4 - 9	90506-14001	7 - 8
J0B-K7200-24	23 - 9	J0D-K8112-90	12 - 4	JW2-K8298-10	2 - 21		7 - 14	90201-04810	4 - 35		7 - 19
J0B-K7200-34	23 - 9	J0D-K8112-A0	12 - 4	JW2-K8298-20	2 - 21	90101-069U0	17 - 11	90201-05824	6 - 55	90506-20281	7 - 7
JC0-K7212-10	15 - 8	J0D-K8112-T0	12 - 4	J0B-K8312-00	24 - 4	90101-08855	8 - 23	90201-06102	22 - 33		7 - 18
J0B-K7217-00	23 - 5	J0D-K8112-U0	12 - 4	JW1-K8313-01	24 - 6	90101-08856	8 - 21	90201-068E2	17 - 13	91402-25020	22 - 26
	23 - 21	J0D-K8112-V0	12 - 4	JW1-K8314-10	24 - 12	90101-10854	8 - 16	90201-08310	20 - 3	91490-25015	5 - 12
JW1-K7217-10	15 - 7	J0E-K8114-01	11 - 6	JW1-K8314-21	24 - 12	90105-06831	2 - 16	90201-121H8	7 - 12	91490-30030	8 - 27
J0B-K7218-00	23 - 7	J0D-K8115-00	11 - 1	J0B-K832F-00	11 - 24		11 - 4		7 - 23	91702-08018	5 - 11
	23 - 22	J0D-K8115-30	11 - 1	J1B-K832F-00	11 - 24		20 - 20	90201-121H9	7 - 11	91702-10026	5 - 2
J0B-K7237-00	23 - 2	J0D-K8115-70	11 - 1	J0B-K832G-00	11 - 25		20 - 48		7 - 22	92017-06040	14 - 4
	23 - 11	J0D-K8115-80	11 - 1	J1B-K832G-00	11 - 25	90105-06833	19 - 4	90201-128S4	1 - 9	92902-08600	4 - 31
J0B-K7238-00	23 - 3	J0D-K8115-90	11 - 1	JW1-K8340-00	14 - 3	90105-08867	2 - 13		22 - 12	92902-10100	1 - 12
J0B-K7240-01	23 - 4	J0D-K8115-A0	11 - 1	JW1-K834G-00	14 - 9		20 - 38	90201-208S8	22 - 18	92902-10600	1 - 13
J0B-K7240-20	23 - 19	J0D-K8115-T0	11 - 1	JN6-K8355-20	14 - 8	90105-088A9	22 - 27	90208-14801	3 - 27	92902-12200	4 - 8
J0B-K7247-00	23 - 26	J0D-K8115-U0	11 - 1	JF2-K8356-00	14 - 7	90105-088B6	2 - 17	90215-06811	17 - 12	9299R-06200	14 - 14
J0B-K7248-00	23 - 6	J0D-K8115-V0	11 - 1	J0D-K8357-00	4 - 32	90105-10219	3 - 8	90249-14129	5 - 9	93101-24822	8 - 28
	23 - 20	JW9-K811K-00	20 - 4	J0B-K8358-00	4 - 33	90105-10267	3 - 13	90269-06804	11 - 5	93102-30083	3 - 26
J0B-K7257-20	23 - 12	J0C-K8141-00	12 - 10	J0B-K835E-00	11 - 11		3 - 20		13 - 4	93210-148B9	8 - 12
JW7-K7329-00	12 - 8	J0C-K8141-30	12 - 10	J0B-K8361-00	16 - 4	90105-10373	3 - 6		13 - 7	93210-478B8	8 - 5
J0B-K7363-00	4 - 36	J0C-K8141-70	12 - 10	J0B-K8362-00	16 - 6	90105-10840	8 - 2		13 - 9	93306-00440	8 - 30
J0B-K7387-00	4 - 34	J0C-K8141-80	12 - 10	JN6-K8380-00	14 - 12	90105-10847	4 - 28		13 - 11	93306-005Y1	8 - 6
JW1-K7387-00	24 - 11	J0C-K8141-90	12 - 10	J0B-K8388-00	24 - 7	90105-13800	1 - 3	90269-07805	11 - 21	93306-005Y3	3 - 24
JW1-K7387-20	15 - 5	J0C-K8141-A0	12 - 10	JU0-K8388-00	24 - 8	90109-08178	14 - 2		11 - 23	93306-007Y0	8 - 14
J0B-K7389-00	14 - 5	J0C-K8141-T0	12 - 10		24 - 14		25 - 1		12 - 3	93306-203X1	8 - 7
J0B-K7510-01	10 - 1	J0C-K8141-U0	12 - 10	JW1-K8388-00	24 - 5	90110-06125	16 - 9		12 - 6	93306-204X0	3 - 23
J0B-K7529-20	23 - 18	J0C-K8141-V0	12 - 10	J0B-K838A-20	23 - 8	90111-05805	11 - 12		12 - 11	93306-303Y6	8 - 10
J0B-K7540-00	10 - 7	J0B-K8164-00	10 - 2		23 - 27	90114-12805	3 - 22	90269-08001	11 - 7	93420-44805	8 - 29
JU0-K7573-00	11 - 3	J1B-K816M-00	2 - 15	JU0-K8398-00	24 - 10	90119-06808	16 - 11	90269-09003	11 - 18	93420-50804	8 - 4
J0C-K7741-00	11 - 10	J0B-K817H-00	12 - 23		24 - 16	90119-06868	20 - 35		13 - 3	95302-08700	10 - 5
J0B-K7761-A0	22 - 31	J0B-K817H-10	12 - 23	J0A-K8401-10	16 - 3	90119-10044	1 - 5		13 - 6	95302-10600	22 - 23
J0D-K7762-20	4 - 38	J0B-K817J-00	12 - 24	J0B-K8402-00	25 - 7	90159-06845	14 - 13	90381-17800	3 - 10	95307-08700	5 - 8
J0D-K7762-30	4 - 38	J0B-K817J-10	12 - 24	J0B-K8402-10	25 - 7	90170-08841	8 - 24	90381-18801	3 - 2	95602-06200	22 - 34
J0D-K7768-00	11 - 8	J0B-K818A-00	13 - 2	JW1-K8402-10	16 - 10	90170-10840	8 - 17	90386-12800	6 - 27	95602-08100	22 - 30
J0D-K7768-10	11 - 8	J0B-K818B-00	13 - 5	J0B-K8423-00	14 - 1	90176-06008	14 - 6	90387-12016	3 - 15	95602-08200	22 - 29
J0D-K7768-20	11 - 8	J0B-K8191-00	13 - 8	J0B-K8426-01	16 - 8	90179-05807	20 - 18	90387-241M7	3 - 25	95602-10200	1 - 16
J0D-K7768-30	11 - 8	J0B-K8192-00	13 - 10	JW1-K8427-00	16 - 2	90179-08822	5 - 7	90461-14108	20 - 37		3 - 7
J0D-K8111-00	12 - 1	J0B-K819H-00	12 - 7	J0B-K8432-00	25 - 6	90179-08824	20 - 19	90464-20005	20 - 29		10 - 8
J0D-K8111-30	12 - 1	JW1-K8214-00	24 - 13	J0B-K8460-00	25 - 2	90179-12262	9 - 2	90464-25826	20 - 12		22 - 25
J0D-K8111-70	12 - 1	J0B-K821A-00	2 - 18	J0B-K8466-00	25 - 11	90179-13800	1 - 4	90464-40825	20 - 27	95602-12200	22 - 13
J0D-K8111-80	12 - 1	J0D-K8233-00	11 - 17	J0B-K8473-00	25 - 4	90183-05008	11 - 13	90464-48800	20 - 30		22 - 20
J0D-K8111-90	12 - 1	J0B-K8237-02	12 - 12	J0B-K8474-00	25 - 5	90183-08800	18 - 11	90464-51800	20 - 31	95602-14100	3 - 28
J0D-K8111-A0	12 - 1	J0B-K8243-00	11 - 20	J0B-K8477-00	25 - 3		18 - 23	90464-76800	2 - 20	95607-06200	6 - 6
J0D-K8111-T0	12 - 1	J0B-K8244-00	11 - 22	J0B-K8480-00	25 - 8		18 - 30		20 - 11	95702-06500	20 - 43
J0D-K8111-U0	12 - 1	J0B-K8271-01	13 - 1	J0B-K8480-10	25 - 8		18 - 37	90468-20196	5 - 3	95802-10035	22 - 9
J0D-K8111-V0	12 - 1	J0B-K8273-10	11 - 19	J0B-K8483-00	25 - 10	90185-06836	14 - 11	90480-13016	18 - 12	95802-10050	22 - 4
J0D-K8112-00	12 - 4	J0C-K827A-00	12 - 17	J0B-K84A0-00	24 - 2	90185-12008	4 - 7		18 - 24	95812-06025	22 - 32
J0D-K8112-30	12 - 4	J0D-K8282-00	11 - 9	J0B-K84A0-10	24 - 2	90185-12810	3 - 18		18 - 31	95812-08016	10 - 3

NUMERICAL INDEX

PART NO.	REF. NO.	PART NO.	REF. NO.	PART NO.	REF. NO.	PART NO.	REF. NO.	PART NO.	REF. NO.	PART NO.	REF. NO.
95812-08020	4 - 2										
	6 - 58										
95812-08040	2 - 3										
95812-08050	10 - 4										
95812-10055	1 - 15										
95812-12065	1 - 7										
95812-12080	3 - 17										
95822-06012	10 - 6										
95822-06016	20 - 42										
97012-06020	6 - 7										
97012-08030	4 - 30										
97012-10020	1 - 11										
9708R-06020	14 - 10										
97527-08516	19 - 3										
97602-05225	20 - 26										
99001-09600	5 - 10										