



PARTS CATALOGUE

DR2E17 PTV (J0E1) CANADA, EUROPE, OTHERS



NEWS No.	DATE	COMMENT
PE0-GC-170009	Dec., 28, 2017	COR:FIG.15/21/23/35/36/37 LIST&ILLUSTRATION CORRECTION
PE0-GC-200009	May., 15, 2020	COR:HEAD & TAIL LIGHT ILLUSTRATION CORRECTION

1SJ0E-100E1

()

DR2E17 PTV
PARTS CATALOGUE
©2020 by Yamaha Motor Co., Ltd.
1st edition, June 2020
All rights reserved.
Any reprinting or unauthorized use
without the written permission of
Yamaha Motor Co., Ltd.
is expressly prohibited.
Printed in Japan.

FOREWORD

This Parts Catalogue is related to the parts for the model(s) on the cover page. When you are ordering replacement parts, please refer to this Parts Catalogue and quote both part numbers and part names correctly.

1. Modifications or additions which have been made after the issue of the Parts Catalogue will be announced in the Parts News.
It is advisable that you make the necessary corrections to the Parts Catalogue according to the Parts News.

2. Abbreviations

The following abbreviations are used in this Parts Catalogue.

“UR” Use specified parts number.

“UN” Use as many as needed.

“AP” Alternate Parts

“LM” Locally Made (Parts need to be ordered locally)

“F#” Frame No. (Applicable machine No.)

“O/S” Over Size

3. The number of components for assembly

- Parts, which are to be supplied in an assembly, are listed with a dot (.) in front of the part name as shown below.
- The numeral appearing to the right of each component part indicates the quantity of parts for each assembly unit.

PART NO.	DESCRIPTION	Q'TY	REMARKS
2F5-83310-60	FRONT FLASHER LIGHT ASSY	2	
115-83311-60	.BULB (6V-18W)	1	

4. Applicable colours of graphics are represented in the “REMARKS” as shown below.

PART NO.	DESCRIPTION	Q'TY	REMARKS
2N4-24110-00-X5	FUEL TANK COMP.	2	MXR
3J1-24240-10	.GRAPHIC, FUEL TANK	1	FOR MXR

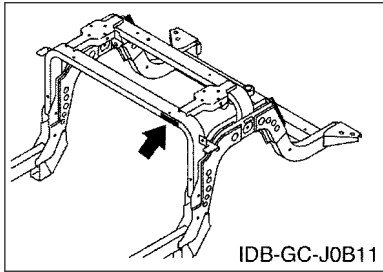
5. Note that the illustrations for reference in finding parts numbers are not to be used for assembling. When assembling, please use the applicable service manual.

6. The asterisk (*) before a reference number indicates modified items after the first edition.

FOREWORD

7. Applicable Serial No.

Frame Serial No.



10. Applicable Starting Serial No.

Frame Serial No.

Serial No.	Name Of Q'ty Column	Model Code
J0E-000101	J0E1	J0E1

8. Applicable Colour Code (The (*) mark shows Model colour.)

Abbreviation	Colour Name	Colour Code
BMG(*)	BLACK METALLIC G	1050
BW1(*)	BLUISH WHITE 1	1571
DNBME(*)	DARK GRAYISH BLUE METALLIC E	0866
DRMV(*)	DEEP RED METALLIC V	1365
DYNM2(*)	DARK YELLOWISH GRAY METALLIC 2	1509
LNMP(*)	LIGHT GRAY METALLIC P	0925
LN YM8(*)	LIGHT GRAYISH YELLOW ME 8	1047
VPBM6(*)	VIVID PURPLISH BLUE METALLIC 6	1002

9. Quantity Column Information

Column No.	Name Of Q'ty Column	Destination
1	J0E1	CANADA, EUROPE, OTHERS

CONTENTS

BODY

REAR ARM & SUSPENSION.....	1
FRAME.....	2
FRONT SUSPENSION.....	3
STEERING.....	5
PEDAL WIRE.....	7
PEDAL ASSEMBLY.....	8
BRAKE.....	11

DRIVE

TRANSAXLE.....	12
WHEEL.....	14
BUMPER.....	15
BODY.....	16
BODY 2.....	18
BODY FITTING.....	20
CARRIER.....	21
REAR VIEW MIRROR.....	22
SEAT.....	23

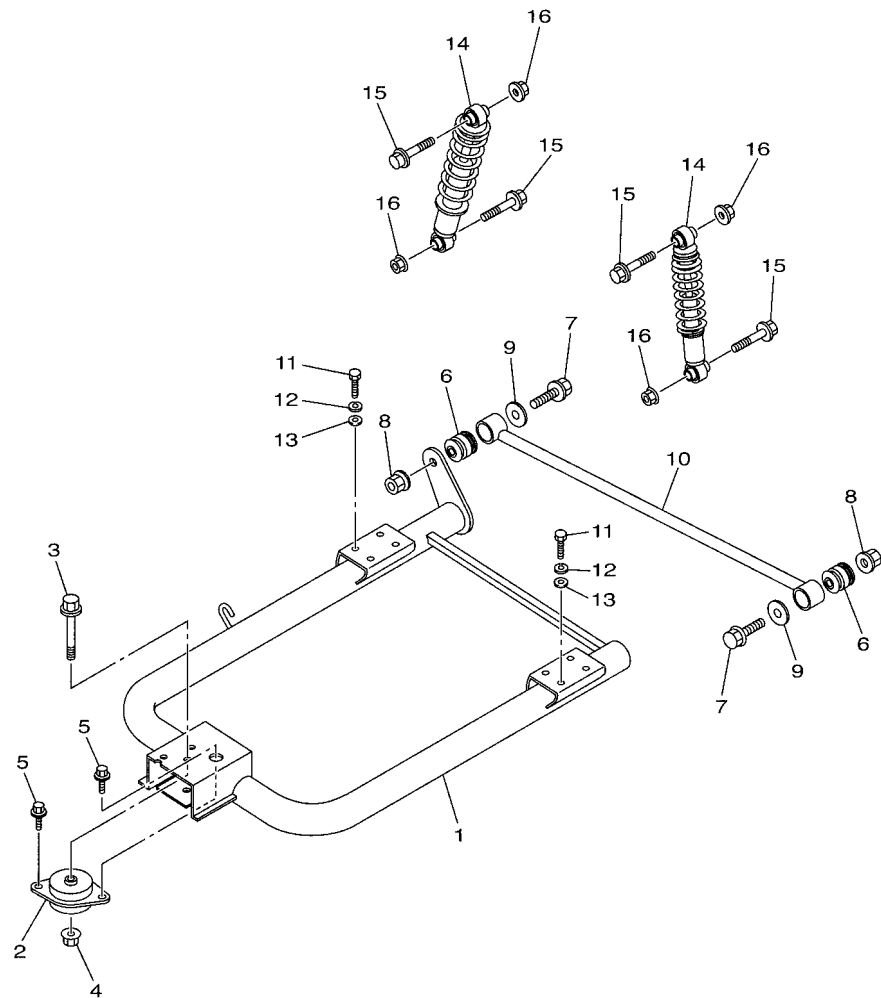
ELECTRICAL

ELECTRIC MOTOR.....	24
HEAD & TAIL LIGHT.....	25
CONTROLLER 1.....	27
ELECTRICAL 1.....	28
BATTERY CHARGER.....	30
ALTERNATE FOR WINDSHIELD.....	31
ALTERNATE FOR SUN ROOF.....	32

INDEX

NUMERICAL INDEX.....	33
----------------------	----

FIG. 1 REAR ARM & SUSPENSION



REF. NO.	PART NO.	DESCRIPTION	JOE1				REMARKS
1	J0C-F2110-00	REAR ARM COMP.	1				
2	JN6-F2123-10	BUSH 1	1				
3	90105-13800	BOLT, FLANGE	1				
4	90179-13800	NUT	1				
5	90119-10044	BOLT, WITH WASHER	2				
6	JN6-F2124-10	BUSH 2	2				
7	95812-12065	BOLT, FLANGE	2				
8	95602-12200	NUT, SELF-LOCKING	2				
9	90201-128S4	WASHER, PLATE	2				
10	JW1-F217G-10	ROD, CONNECTING 2	1				
11	97012-10020	BOLT	8				
12	92902-10100	WASHER, SPRING	8				
13	92902-10600	WASHER, PLATE	8				
14	J0E-F2210-00	SHOCK ABSORBER ASSY, REAR	2				
15	95812-10055	BOLT, FLANGE	4				
16	95602-10200	NUT, S/L FLANGE	4				



J0C1110-S010

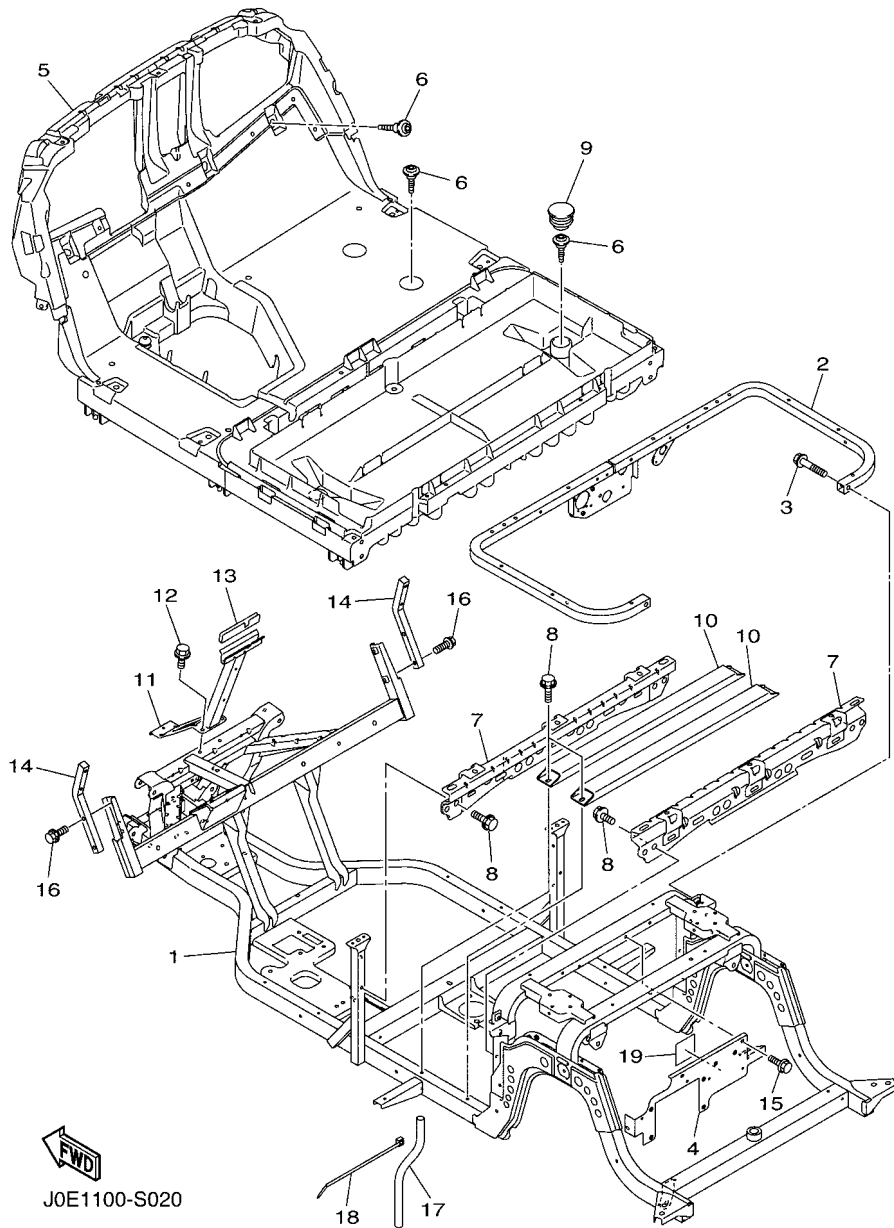
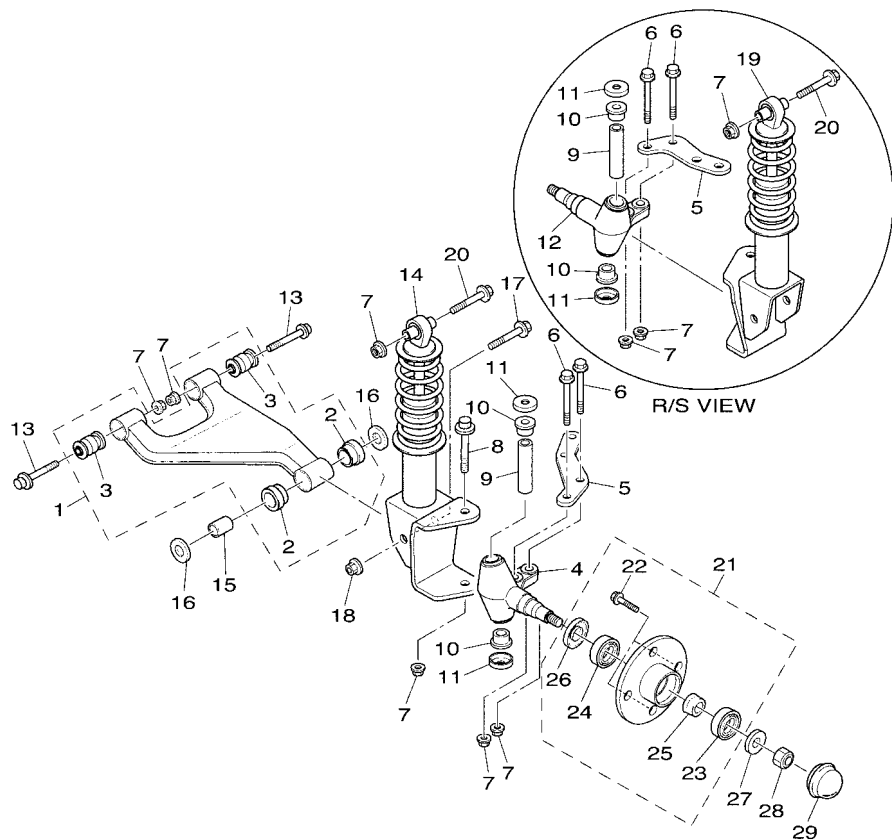


FIG. 2 FRAME

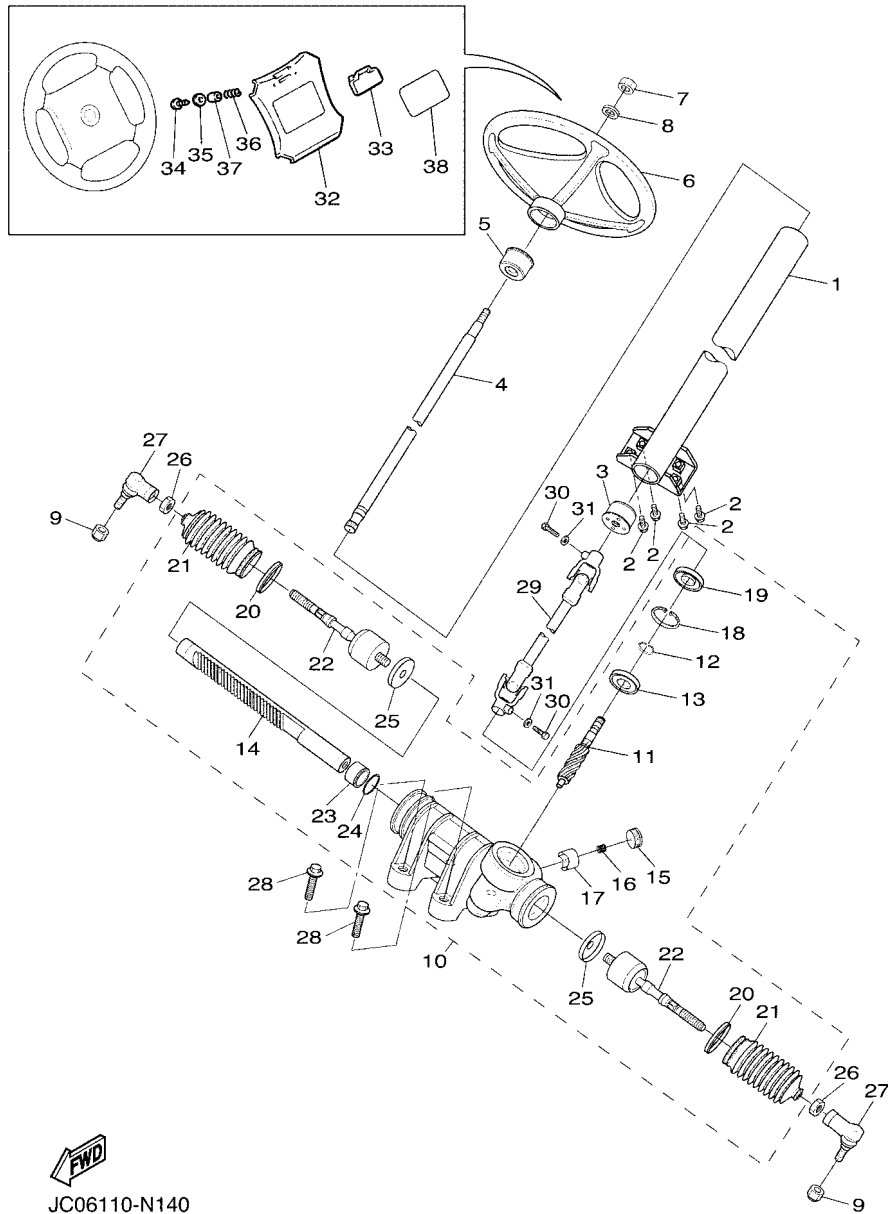
REF. NO.	PART NO.	DESCRIPTION	J0E1	REMARKS
1	J0A-F2501-00	FRAME COMP.	1	
2	J0B-F255G-00	MEMBER, SEAT SUPPORT	1	
3	95812-08040	BOLT, FLANGE	2	
4	JC1-F252M-10	BRACKET, 3	1	
5	J0E-F7411-01	FOOTREST 1	1	
6	J0B-F1738-00	BOLT	9	
7	JW9-F2535-00	STAY, BATTERY 1	2	
8	JW1-F1738-00	BOLT	8	
9	JW9-F2417-00	PLUG	2	
10	JW9-F2198-10	MEMBER, CROSS	2	
11	J0B-F258E-00	SUPPORT, FRONT COWL	1	
12	90105-08867	BOLT, FLANGE	2	
13	J0B-F2127-00	SHIM	1	
14	J0B-K816M-00	REAR STORAGE BOX COMP.	2	
15	90105-06831	BOLT, FLANGE	2	
16	90105-088B6	BOLT, FLANGE	4	
17	J0B-F125J-00	PIPE, DRAIN	2	
18	90464-76800	CLAMP	2	
19	JW2-K8298-10	PLATE, CAUTION 2 (E,F)	1	UR FOR CAN
	JW2-K8298-20	PLATE, CAUTION 2 (G,S)	1	UR EXCEPT FOR CAN

FIG. 3 FRONT SUSPENSION



J0E1100-S030

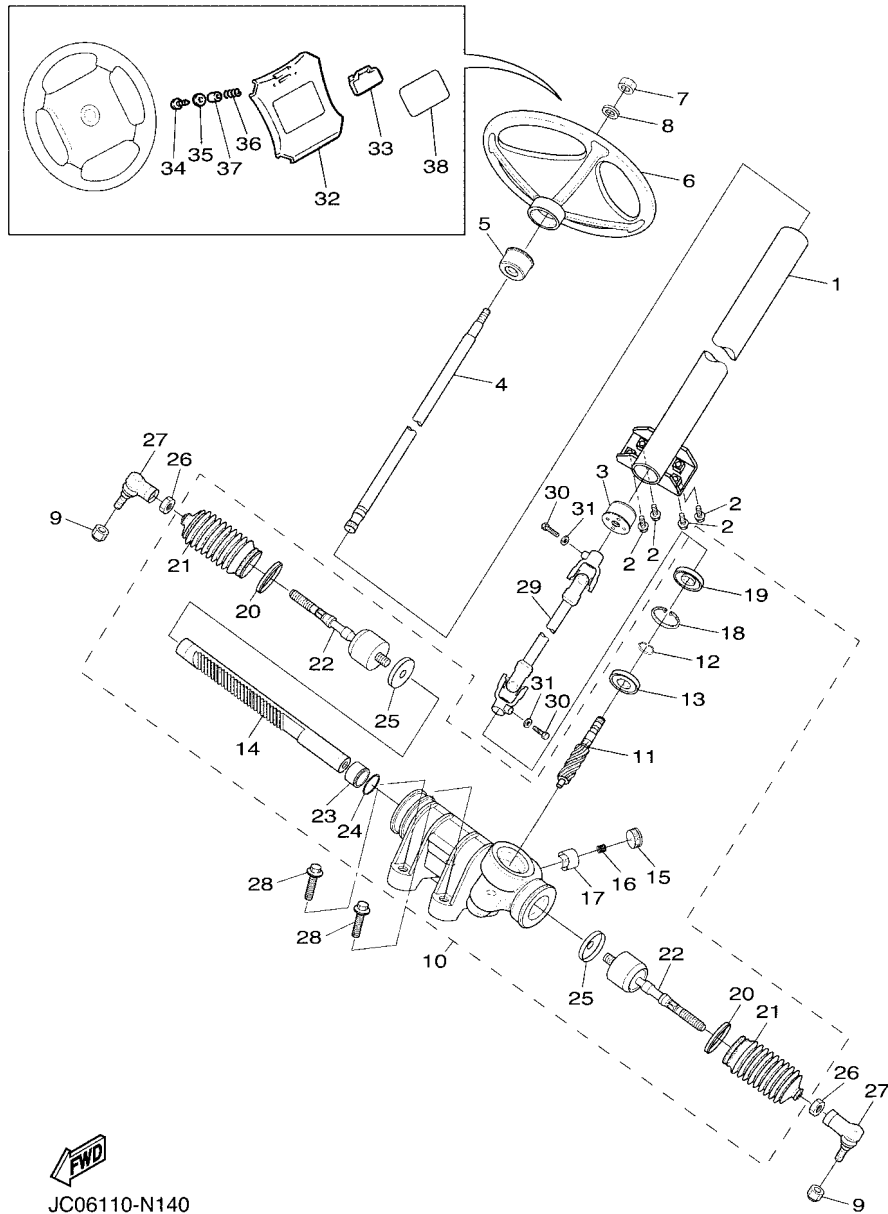
REF. NO.	PART NO.	DESCRIPTION	J0E1				REMARKS
1	J0B-F3570-10	FRONT LOWER ARM COMP. (LEFT)	2				
2	90381-18801	.BUSH, SOLID	2				
3	2HR-23526-00	.BUSH	2				
4	JU0-F3511-20	KNUCKLE, STEERING 1	1				
5	JW1-F3512-00	ARM, KNUCKLE 1	2				
6	90105-10373	BOLT, FLANGE	4				
7	95602-10200	NUT, S/L FLANGE	12				
8	90105-10219	BOLT, FLANGE	2				
9	2NL-23448-00	SPACER	2				
10	90381-17800	BUSH, SOLID	4				
11	2NL-23517-00	COVER, THRUST 1	4				
12	JU0-F3521-20	KNUCKLE, STEERING 2	1				
13	90105-10267	BOLT, FLANGE	4				
14	J0C-F3350-00	SHOCK ABSORBER ASSY	1				
15	90387-12016	COLLAR	2				
16	401-22128-01	COVER, THRUST 1	4				
17	95812-12080	BOLT, FLANGE	2				
18	95612-12100	NUT, U	2				
19	J0C-F3390-00	SHOCK ABSORBER ASSY 2	1				
20	90105-10267	BOLT, FLANGE	2				
21	JC1-F5103-00	HUB BEARING UNIT ASSY	2				
22	90114-12805	.BOLT, SERRATION	4				
23	93306-204X0	.BEARING	1				
24	93306-005Y3	.BEARING	1				
25	90387-241M7	.COLLAR	1				
26	93102-30083	.OIL SEAL	1				
27	90208-14801	WASHER, CONICAL SPRING	2				



JC06110-N140

FIG. 4 STEERING

REF. NO.	PART NO.	DESCRIPTION	JOE1				REMARKS
1	JW1-F3811-03	COLUMN, STEERING	1				
2	95812-08020	BOLT, FLANGE	4				
3	JU0-F3857-11	HOLDER	1				
4	JU0-F3828-10	ROD, STEERING	1				
5	JU0-F3857-11	HOLDER	1				
6	JN3-F3838-00	WHEEL, STEERING	1				
7	90185-12008	NUT, SELF-LOCKING	1				
8	92902-12200	WASHER	1				
9	95602-12200	NUT, SELF-LOCKING	2				
10	JW1-F3400-00	STEERING ASSY	1				
11	JW1-F387A-00	.GEAR, PINION	1				
12	JW1-F3183-00	.CIRCLIP	1				
13	JW1-F3812-00	.BEARING, STEERING	1				
14	JW1-F387E-00	.GEAR, RACK	1				
15	5UG-F387G-00	.COVER, ADJUST	1				
16	5UG-F387K-00	.SPRING, PRESSURE	1				
17	5UG-F387F-00	.PAD, PRESSURE	1				
18	5UG-F387J-00	.RING, STOPPER	1				
19	5UG-F3844-00	.SEAL	1				
20	5UG-F3489-00	.BAND	2				
21	5UG-F3527-00	.SEAL, DUST 1	2				
22	JW1-F3837-00	.ROD, TIE 2	2				
23	JW1-F467K-00	.BUSH, CAP	1				
24	JW1-F3866-00	.CIRCLIP	1				
25	JW1-F3894-00	.WASHER, LOCK 1	2				
26	1P0-F3833-00	NUT 1	2				
27	JW8-23841-01	JOINT, UNIVERSAL 1	2				

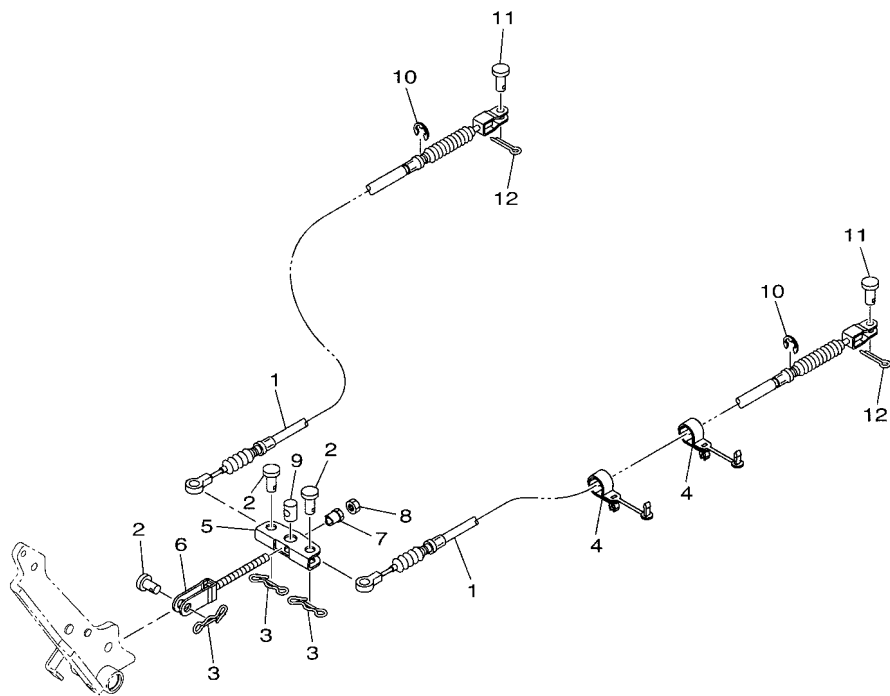


JC06110-N140

FIG. 4 STEERING

REF. NO.	PART NO.	DESCRIPTION	JOE1				REMARKS
28	90105-10847	BOLT, FLANGE	4				
29	JW1-F3822-01	JOINT 1	1				
30	97012-08030	BOLT	2				
31	92902-08600	WASHER, PLATE	2				
32	JW8-K8357-00	HOLDER 1	1				
33	JN6-K8358-01	HOLDER 2	1				
34	97702-40525	SCREW, TAPPING	2				
35	90201-04810	WASHER, PLATE	2				
36	90502-10013	SPRING, CONICAL	2				
37	90387-046N7	COLLAR	2				
38	JC0-K7762-00	LABEL, WARNING 2	1				UR ENGLISH
	JC0-K7762-11	LABEL, WARNING 2	1				UR ENGLISH/FRENCH
	JC0-K7762-21	LABEL, WARNING 2	1				UR GERMAN/SPANISH

FIG. 5 PEDAL WIRE



REF. NO.	PART NO.	DESCRIPTION	JOE1				REMARKS
1	JW9-F6351-10	CABLE, BRAKE	2				
2	91702-10026	PIN, CLEVIS	3				
3	90468-20196	CLIP	3				
4	JW7-F312H-00	CLAMP	4				
5	JW8-F5681-10	EQUALIZER, BRAKE	1				
6	JN6-F5685-01	ROD	1				
7	90179-08822	NUT	1				
8	95307-08700	NUT	1				
9	90249-14129	PIN	1				
10	99001-09600	CIRCLIP	2				
11	91702-08018	PIN, CLEVIS	2				
12	91490-25015	PIN. COTTER	2				



JW97110-R050

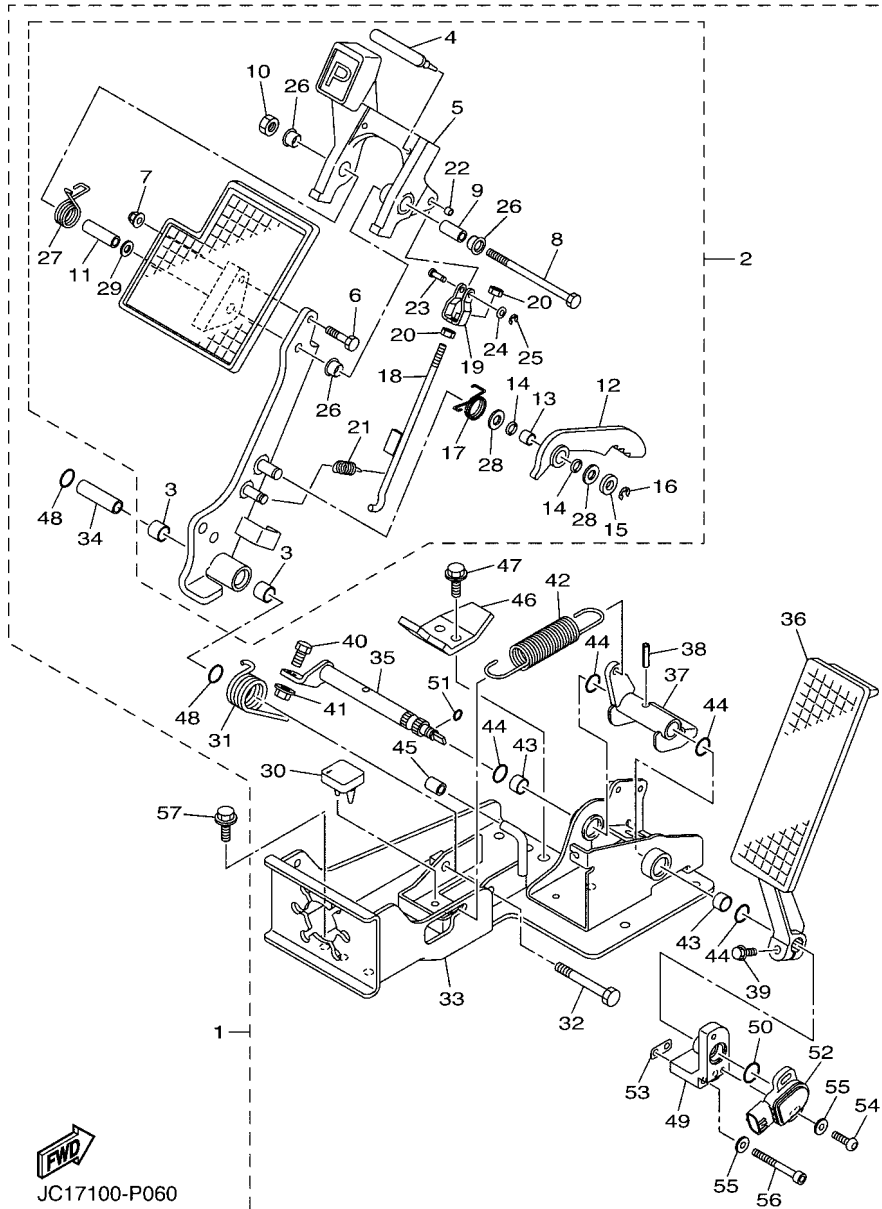
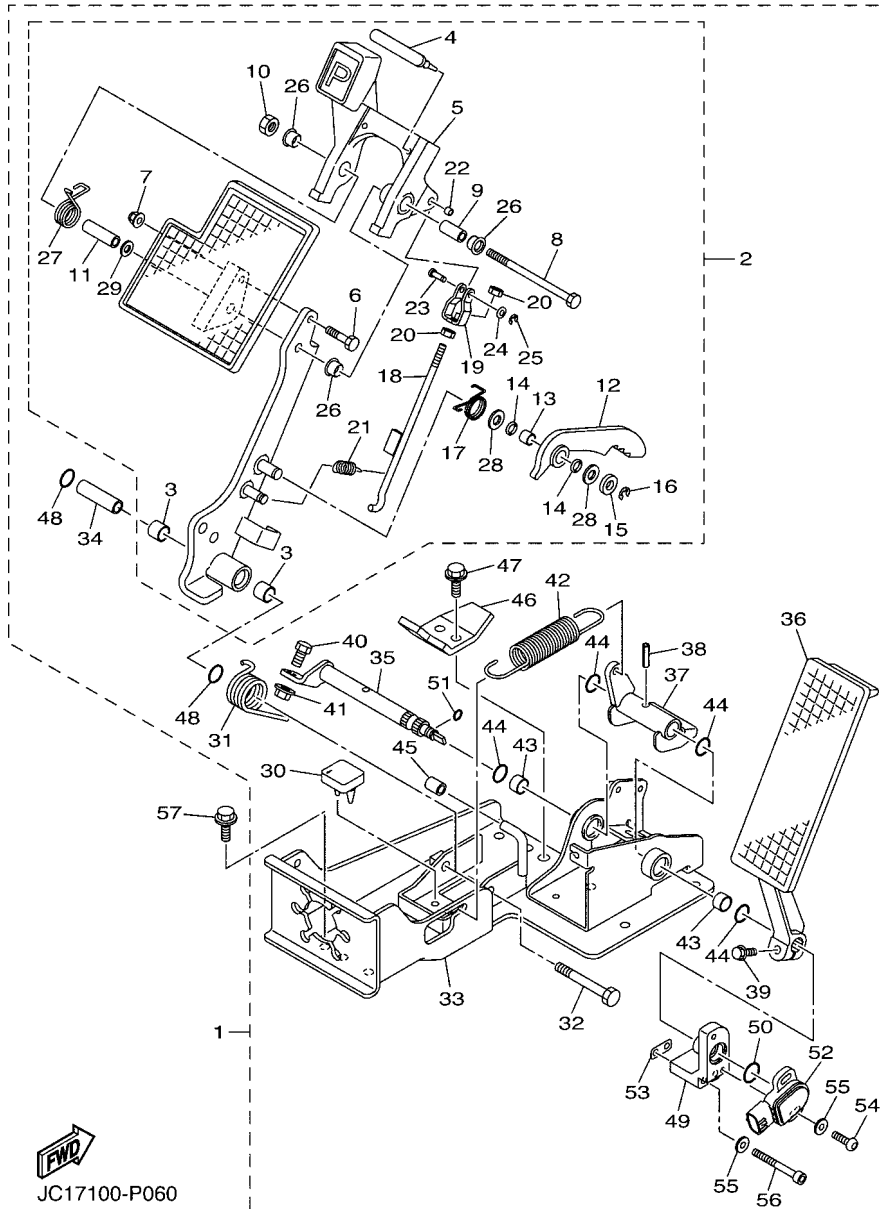


FIG. 6 PEDAL ASSEMBLY

REF. NO.	PART NO.	DESCRIPTION	JOE1		REMARKS
1	JW9-F7850-31	PEDAL ASSY (L.H)	1		
2	JW9-F7200-21	.PEDAL, BRAKE	1		
3	JW8-F7814-21	.BUSH, PEDAL	2		
4	JW9-F5672-00	..PAD, PARKING PEDAL	1		
5	JW9-F5671-00	..PEDAL, PARKING BRAKE	1		
6	JW8-F7117-00	..BOLT, MAIN STAND	1		
7	JW8-F8363-00	..NUT	1		
8	JW8-F7416-00	..BOLT, FOOTREST	1		
9	JW8-F639N-00	..COLLAR	1		
10	JW8-F7218-00	..NUT	1		
11	JW8-F7113-00	..COLLAR, MAIN STAND	1		
12	JW9-F5666-00	..SECTOR, PARKING BRAKE	1		
13	JW8-F7121-00	..BUSH	1		
14	JW9-F7221-00	..SEAL, SHAFT	2		
15	JW8-F7322-00	..WASHER	1		
16	JW8-F3183-00	..CIRCLIP	1		
17	JW8-F7426-01	..SPRING, RETURN	1		
18	JW9-F7231-10	..ROD, BRAKE	1		
19	JW9-F7232-00	..END, ROD 2	1		
20	JW8-F7318-00	..NUT	2		
21	JW8-F6314-00	..SPRING	1		
22	JW8-F639L-00	..BUSH 1	1		
23	JW9-F7228-00	..PIN, JOINT	1		
24	JW8-F8323-00	..WASHER, LEG SHIELD	1		
25	JW8-F5415-00	..CIRCLIP	1		
26	90386-12800	..BUSH	3		
27	JW8-F7825-01	..SPRING, RETURN	1		



JC17100-P060

FIG. 6 PEDAL ASSEMBLY

REF. NO.	PART NO.	DESCRIPTION	JOE1		REMARKS
28	JW8-F7119-00	..WASHER	2		
29	JW8-F8319-00	..WASHER	1		
30	JW9-F7245-10	.PAD, BRAKE PEDAL	1		
31	JW8-F7316-01	.SPRING, SIDE STAND	1		
32	JW8-F7217-00	.BOLT	1		
33	JW9-F7445-31	.PLATE 1	1		
34	JW8-F7213-20	.COLLAR	1		
35	JW9-F7853-00	.SHAFT, PEDAL 1	1		
36	JW9-F7871-10	.PEDAL, ACCELERATOR	1		
37	JW9-F7872-20	.ARM, ACCELERATOR PEDAL	1		
38	JW8-F7438-00	.PIN, CLEVIS	1		
39	JW8-F7434-00	.BOLT	1		
40	JW8-F7317-00	.BOLT	1		
41	JW8-F7118-00	.NUT	1		
42	JW8-F815H-01	.SPRING	1		
43	JW8-F7814-21	.BUSH, PEDAL	2		
44	JW8-F4486-00	.O-RING	4		
45	JW9-F5673-00	.DAMPER, BRAKE	1		
46	JW9-F7246-20	.NAIL, BRAKE	1		
47	JW8-F8331-00	.BOLT, LEG SHIELD	2		
48	JW8-F4486-00	.O-RING	2		
49	JW9-F7263-00	.BRACKET 1	1		
50	JW9-F4648-20	.O-RING	1		
51	JW8-F41B8-00	.O-RING	1		
52	JW9-H5885-00	.THROTTLE SENSOR ASSY	1		
53	JW9-F5827-00	.SHIM, CALIPER	1		UR
	JW9-F5827-10	.SHIM, CALIPER	1		UR

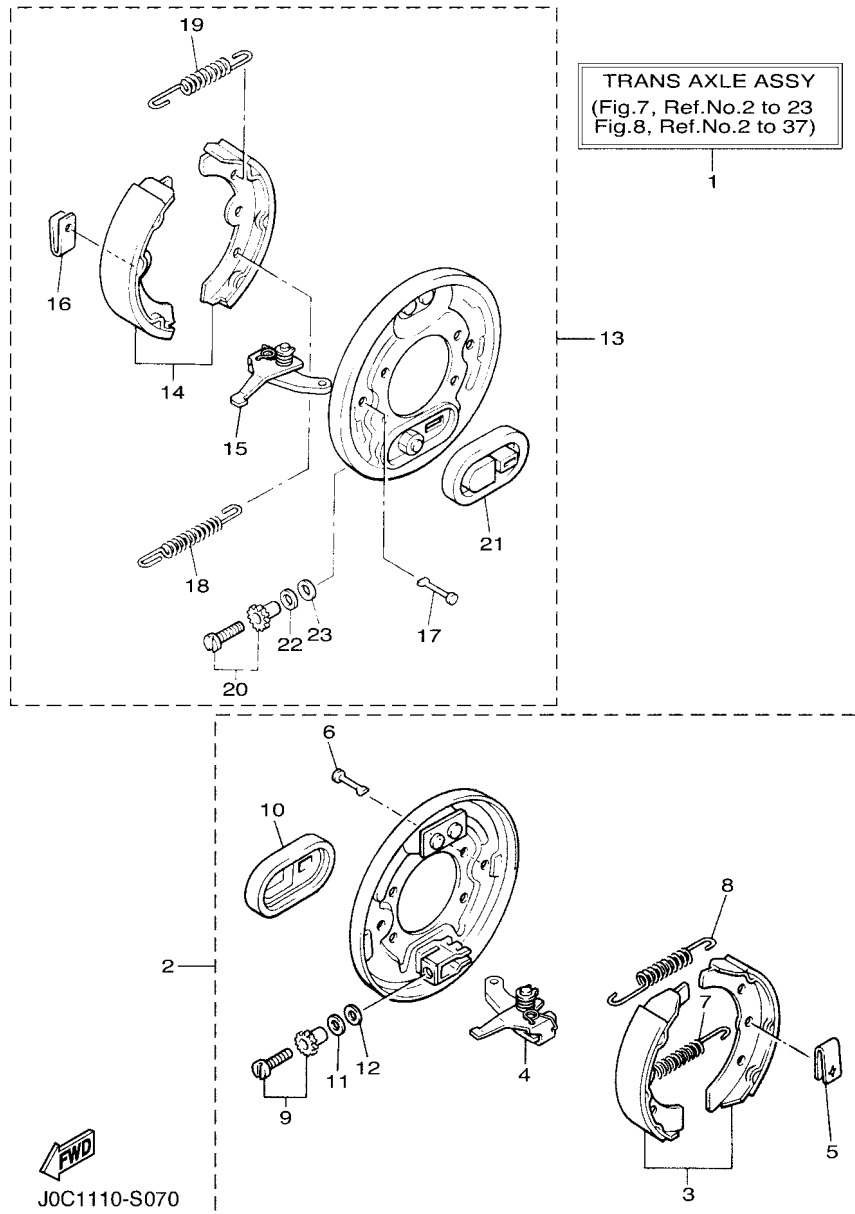
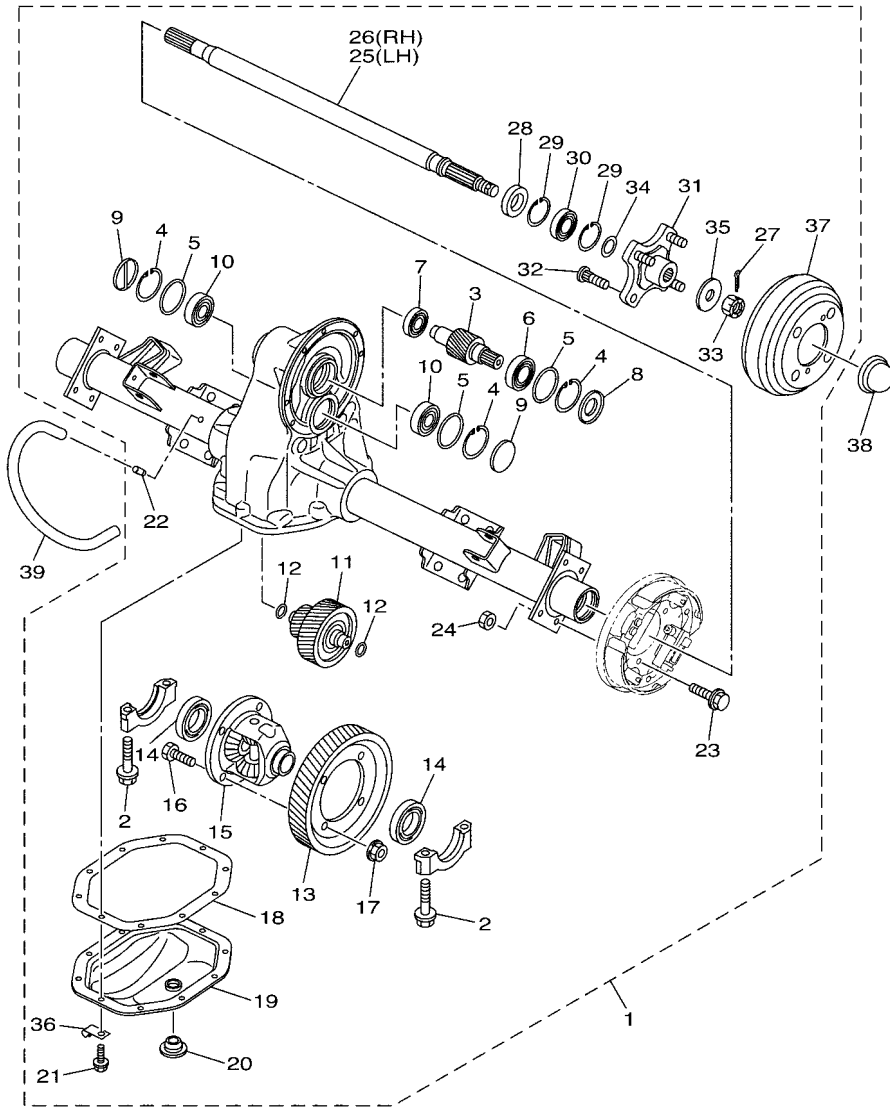


FIG. 7 BRAKE

REF. NO.	PART NO.	DESCRIPTION	JOE1				REMARKS
1	J0E-G6300-00	TRANS AXLE ASSY	1				
2	JW8-F7290-00	..BACKING PLATE ASSY 2	1				
3	JN9-W2536-00	..BRAKE SHOE SET	1				
4	J38-27205-00	..LEVER ASSY 2	1				
5	JW8-F7281-00	..SPRING, SHOE CLAMP	2				
6	J10-27282-00	..PIN, SHOE HOLD DOWN	2				
7	90506-20281	..SPRING, TENSION	1				
8	90506-14001	..SPRING, TENSION	1				
9	J55-27260-00	..ADJUSTER ASSY	1				
10	JW8-F7286-00	..COVER, DUST	1				
11	90201-121H9	..WASHER, PLATE	1				
12	90201-121H8	..WASHER, PLATE	1				
13	JW8-F7280-00	..BACKING PLATE ASSY 1	1				
14	JN9-W2536-00	..BRAKE SHOE SET	1				
15	J38-27204-00	..LEVER ASSY 1	1				
16	JW8-F7281-00	..SPRING, SHOE CLAMP	2				
17	J10-27282-00	..PIN, SHOE HOLD DOWN	2				
18	90506-20281	..SPRING, TENSION	1				
19	90506-14001	..SPRING, TENSION	1				
20	J55-27270-00	..ADJUSTER ASSY	1				
21	JW8-F7286-00	..COVER, DUST	1				
22	90201-121H9	..WASHER, PLATE	1				
23	90201-121H8	..WASHER, PLATE	1				

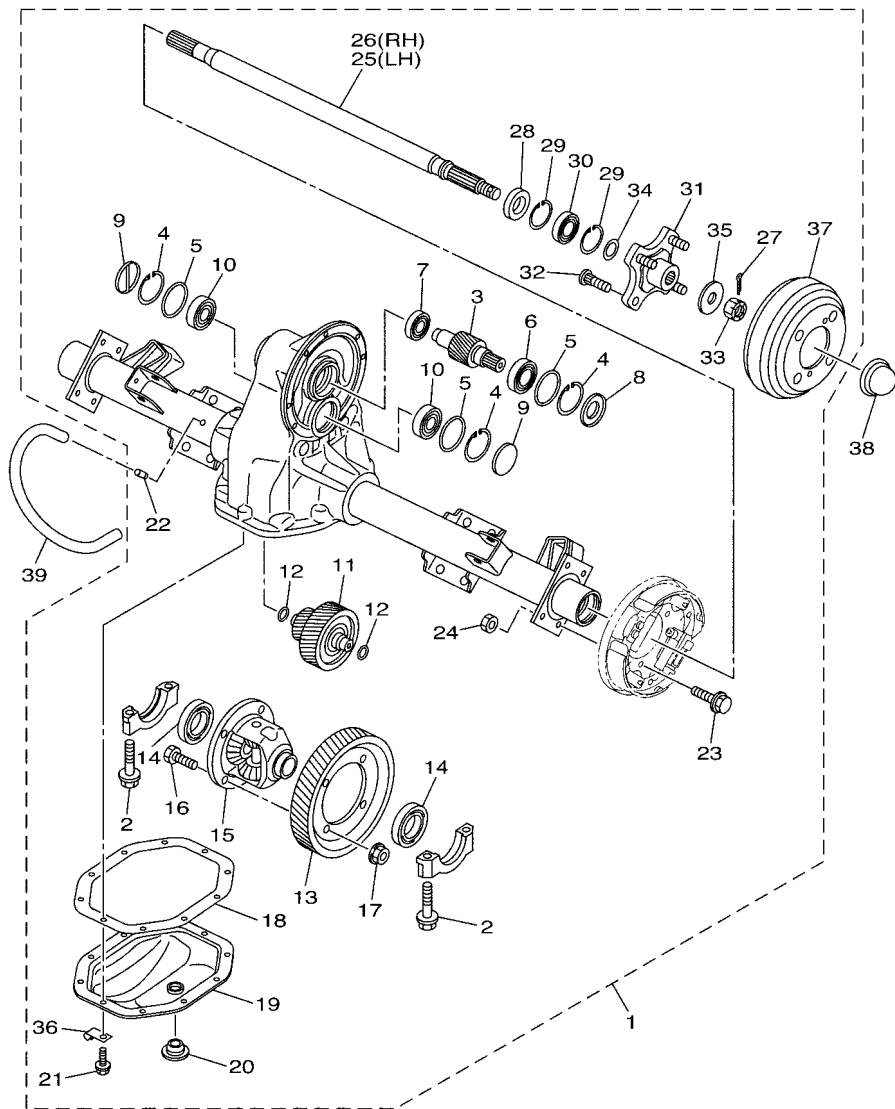


J0C1110-S080

FIG. 8 TRANSAXLE

REF. NO.	PART NO.	DESCRIPTION	JOE1				REMARKS
1	J0E-G6300-00	TRANS AXLE ASSY	1				
2	90105-10840	.BOLT, FLANGE	4				
3	JW9-G6321-00	.SHAFT, INPUT	1				
4	93420-50804	.CIRCLIP	3				
5	93210-478B8	.O-RING	3				
6	93306-005Y1	.BEARING	1				
7	93306-203X1	.BEARING	1				
8	JW9-G6136-00	.SEAL 1	1				
9	JH7-G3396-01	.PLUG, BLIND	2				
10	93306-303Y6	.BEARING	2				
11	JW9-G6350-00	.COUNTER GEAR ASSY	1				
12	93210-148B9	.O-RING	2				
13	JW9-G6421-00	.GEAR, RING	1				
14	93306-007Y0	.BEARING	2				
15	JW9-G6410-00	.DIFFERENTIAL ASSY.	1				
16	90101-10854	.BOLT	4				
17	90170-10840	.NUT	4				
18	JW9-G631A-00	.GSKT., CASE	1				
19	JW9-G6312-00	.CASE, TRANSMISSION 2	1				
20	JN3-G6432-00	.STOPPER	1				
21	90101-08856	.BOLT	10				
22	JW8-G5378-00	.NIPPLE, HOSE	1				
23	90101-08855	.BOLT	8				
24	90170-08841	.NUT	8				
25	JR1-G6511-00	.SHAFT, REAR AXLE 1 (L.H)	1				
26	JR1-G6512-00	.SHAFT, REAR AXLE 2 (R.H)	1				
27	91490-30030	.PIN. COTTER	2				

FIG. 8 TRANSAXLE



REF. NO.	PART NO.	DESCRIPTION	JOE1				REMARKS
28	93101-24822	.OIL SEAL	2				
29	93420-44805	.CIRCLIP	4				
30	93306-00440	.BEARING	2				
31	JW8-G6514-00	.HUB, REAR AXLE	2				
32	JW8-G4178-00	.BOLT, STUD	8				
33	JW8-G5244-00	.NUT	2				
34	JW8-G2535-00	.WASHER, THRUST	2				
35	JW8-G2536-00	.WASHER, THRUST 2	2				
36	JW8-G2756-00	.STAY, CLAMP	1				
37	JW3-G6521-00	.DRUM	2				
38	JW8-F5118-00	COVER, HUB DUST	2				
39	JW8-G2541-00	PIPE 1	1				



J0C1110-S080

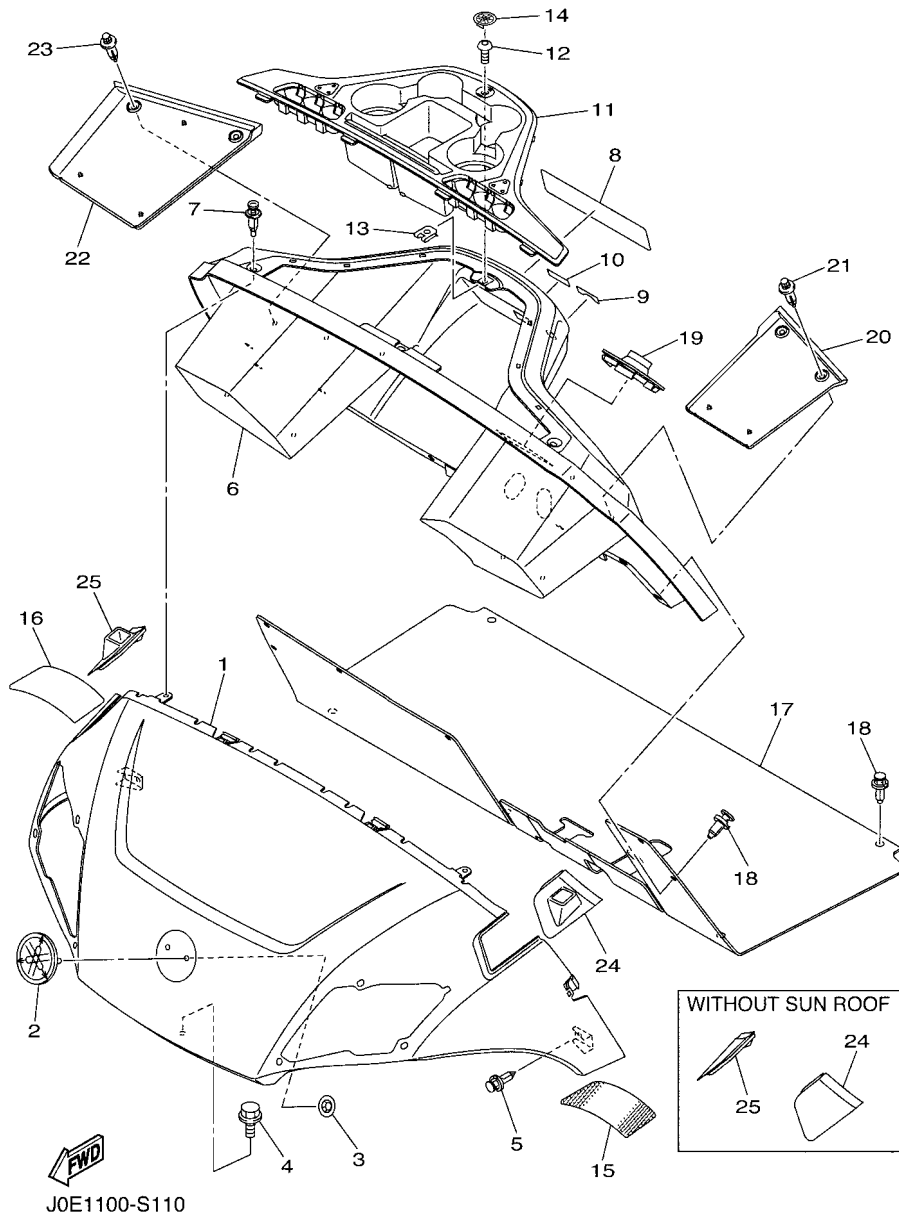


FIG. 11 BODY

REF. NO.	PART NO.	DESCRIPTION	J0E1			REMARKS
1	J0D-K8115-A0	COWL, FRONT	1			UR FOR BW1
	J0D-K8115-00	COWL, FRONT	1			UR FOR DNBME
	J0D-K8115-20	COWL, FRONT	1			UR FOR LNYM8
	J0D-K8115-30	COWL, FRONT	1			UR FOR LNMP
	J0D-K8115-40	COWL, FRONT	1			UR FOR DYNM2
	J0D-K8115-70	COWL, FRONT	1			UR FOR DRMV
	J0D-K8115-80	COWL, FRONT	1			UR FOR BMG
	J0D-K8115-90	COWL, FRONT	1			UR FOR VPBM6
2	J0B-F4161-00	EMBLEM 1	1			
3	JU0-K7573-00	NUT, SPECIAL	2			
4	90105-06831	BOLT, FLANGE	1			
5	90269-06804	RIVET	2			
6	J0E-K8114-00	PANEL, FRONT	1			
7	90269-07803	RIVET	3			
8	J0B-K7768-00	LABEL, WARNING 8	1			UR ENGLISH
	J0B-K7768-10	LABEL, WARNING 8	1			UR ENGLISH/FRENCH
	J0B-K7768-20	LABEL, WARNING 8	1			UR GERMAN/SPANISH
9	J0D-K8282-00	PLATE, SWITCH PANEL	1			
10	J0C-K7741-00	INDICATOR 1	1			
11	J0B-K835E-00	HOLDER, BEVERAGE	1			
12	90111-05805	BOLT, HEX. SOCKET BUTTON	1			
13	90183-05008	NUT, SPRING	1			
14	J0B-H2370-00	PLUG CAP ASSY	1			
15	J0D-H333B-00	REFLECTOR 1	1			
16	J0D-H334B-00	REFLECTOR, 2	1			
17	J0D-K8233-00	MAT, MAIN FLOOR 3	1			
18	90269-09003	RIVET	12			

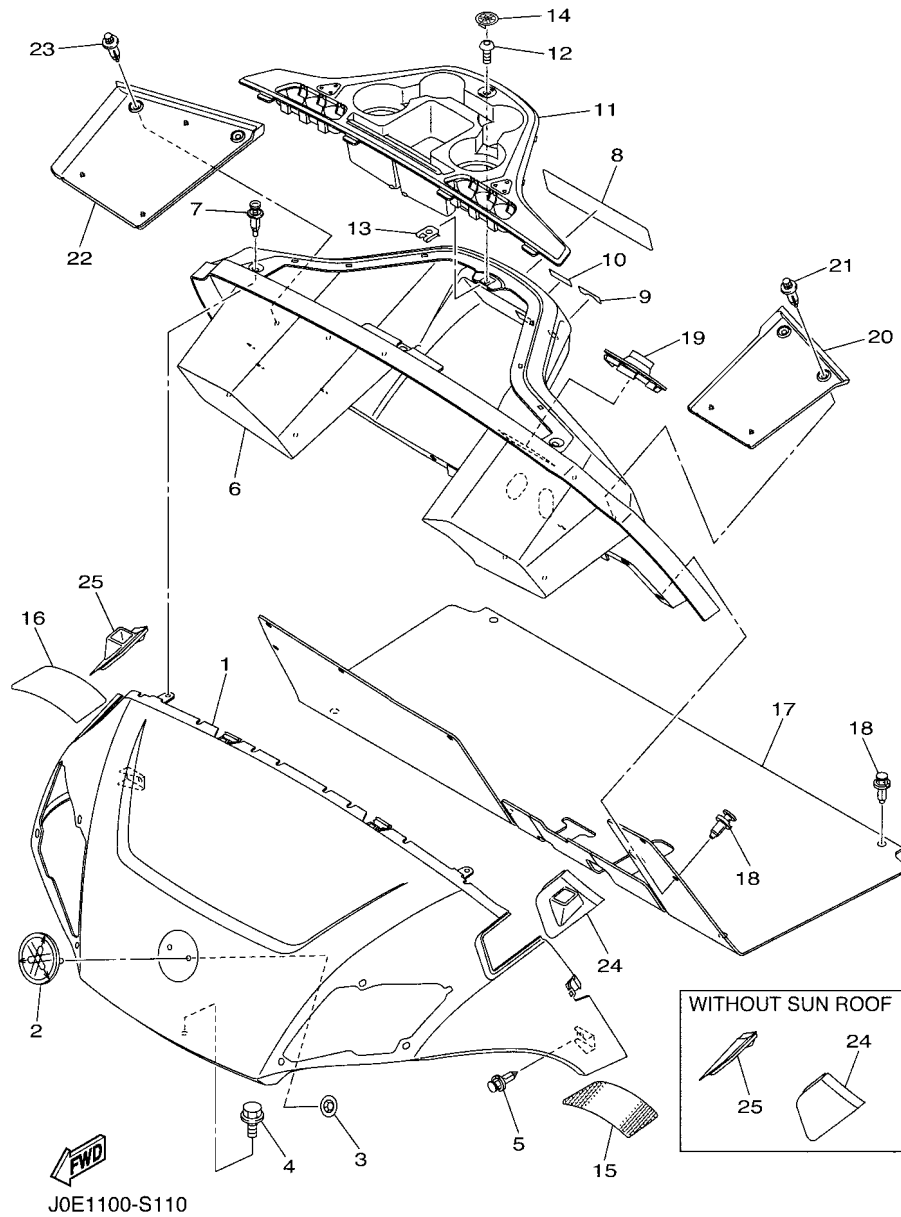


FIG. 11 BODY

REF. NO.	PART NO.	DESCRIPTION	J0E1			REMARKS
19	J0B-K8273-00	COVER, HOLE	1			
20	J0B-K8243-00	MAT, REAR BODY SIDE (LH)	1			
21	90269-07803	RIVET	2			
22	J0B-K8244-00	MAT, REAR BODY SIDE (RH)	1			
23	90269-07803	RIVET	2			
24	J0B-K832F-10	GROMMET, ROOF SUPPORT 1	1			WITH SUN ROOF
	J0B-K832F-00	GROMMET, ROOF SUPPORT 1	1			WITHOUT SUN ROOF
25	J0B-K832G-10	GROMMET, ROOF SUPPORT 2	1			WITH SUN ROOF
	J0B-K832G-00	GROMMET, ROOF SUPPORT 2	1			WITHOUT SUN ROOF

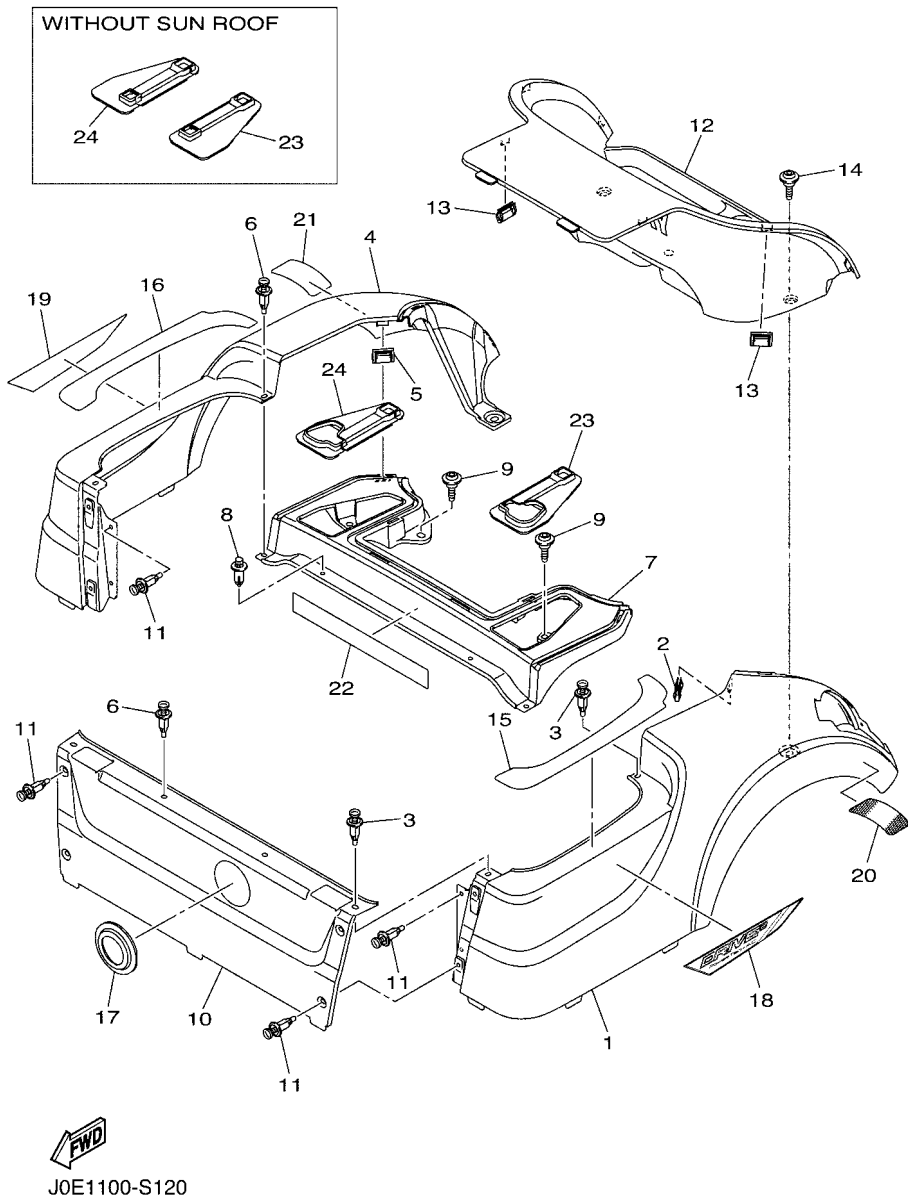
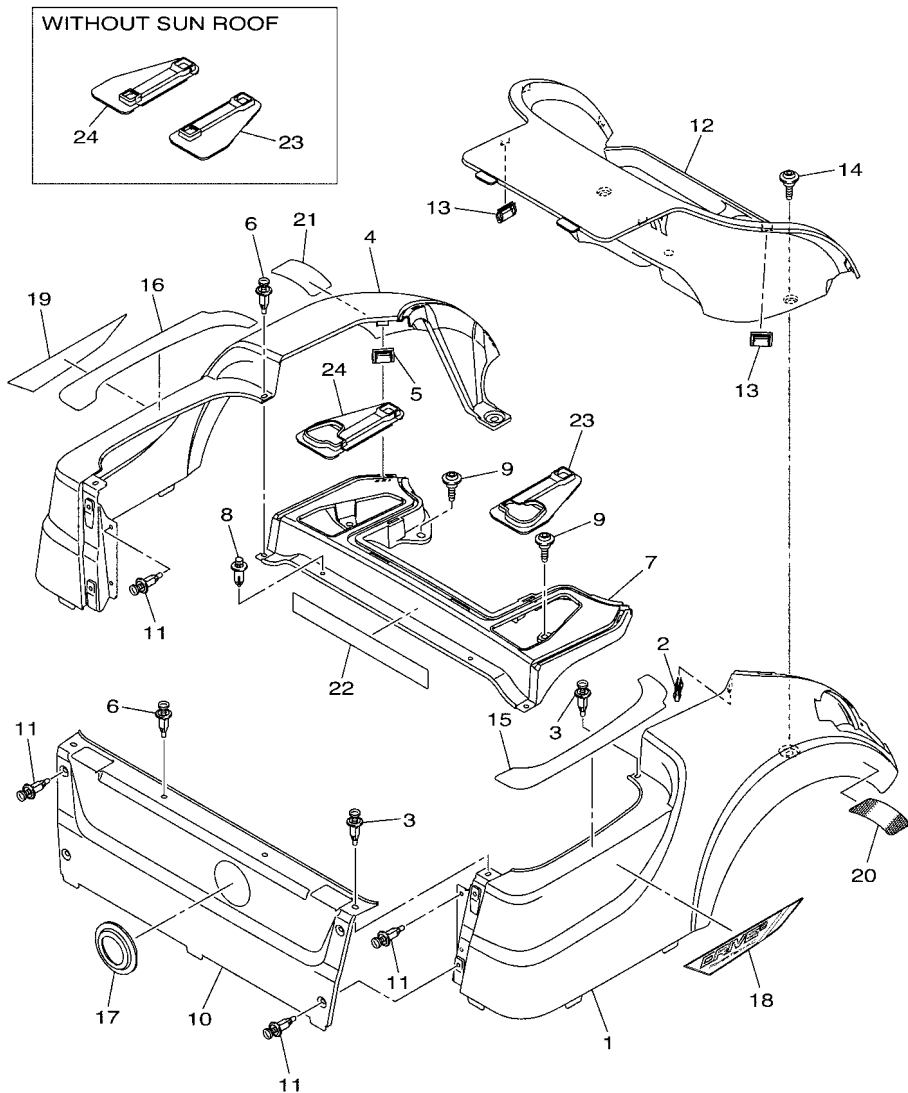


FIG. 12 BODY 2

REF. NO.	PART NO.	DESCRIPTION	J0E1		REMARKS
1	J0D-K8111-A0	PANEL, BODY SHELL	1		UR FOR BW1
	J0D-K8111-00	PANEL, BODY SHELL	1		UR FOR DNBME
	J0D-K8111-20	PANEL, BODY SHELL	1		UR FOR LNYM8
	J0D-K8111-30	PANEL, BODY SHELL	1		UR FOR LNMP
	J0D-K8111-40	PANEL, BODY SHELL	1		UR FOR DYNM2
	J0D-K8111-70	PANEL, BODY SHELL	1		UR FOR DRMV
	J0D-K8111-80	PANEL, BODY SHELL	1		UR FOR BMG
	J0D-K8111-90	PANEL, BODY SHELL	1		UR FOR VPBM6
2	J0B-F3447-00	CLIP	1		
3	90269-07803	RIVET	3		
4	J0D-K8112-A0	PANEL, BODY SHELL	1		UR FOR BW1
	J0D-K8112-00	PANEL, BODY SHELL	1		UR FOR DNBME
	J0D-K8112-20	PANEL, BODY SHELL	1		UR FOR LNYM8
	J0D-K8112-30	PANEL, BODY SHELL	1		UR FOR LNMP
	J0D-K8112-40	PANEL, BODY SHELL	1		UR FOR DYNM2
	J0D-K8112-70	PANEL, BODY SHELL	1		UR FOR DRMV
	J0D-K8112-80	PANEL, BODY SHELL	1		UR FOR BMG
	J0D-K8112-90	PANEL, BODY SHELL	1		UR FOR VPBM6
5	J0B-F3447-00	CLIP	1		
6	90269-07803	RIVET	3		
7	J0B-K819H-00	SHELL, REAR BODY	1		
8	JW7-K7329-00	RIVET	2		
9	J0B-F1738-00	BOLT	4		
10	J0C-K8141-A0	PANEL, INTERMEDIATE BODY	1		UR FOR BW1
	J0C-K8141-00	PANEL, INTERMEDIATE BODY	1		UR FOR DNBME
	J0C-K8141-20	PANEL, INTERMEDIATE BODY	1		UR FOR LNYM8
	J0C-K8141-30	PANEL, INTERMEDIATE BODY	1		UR FOR LNMP

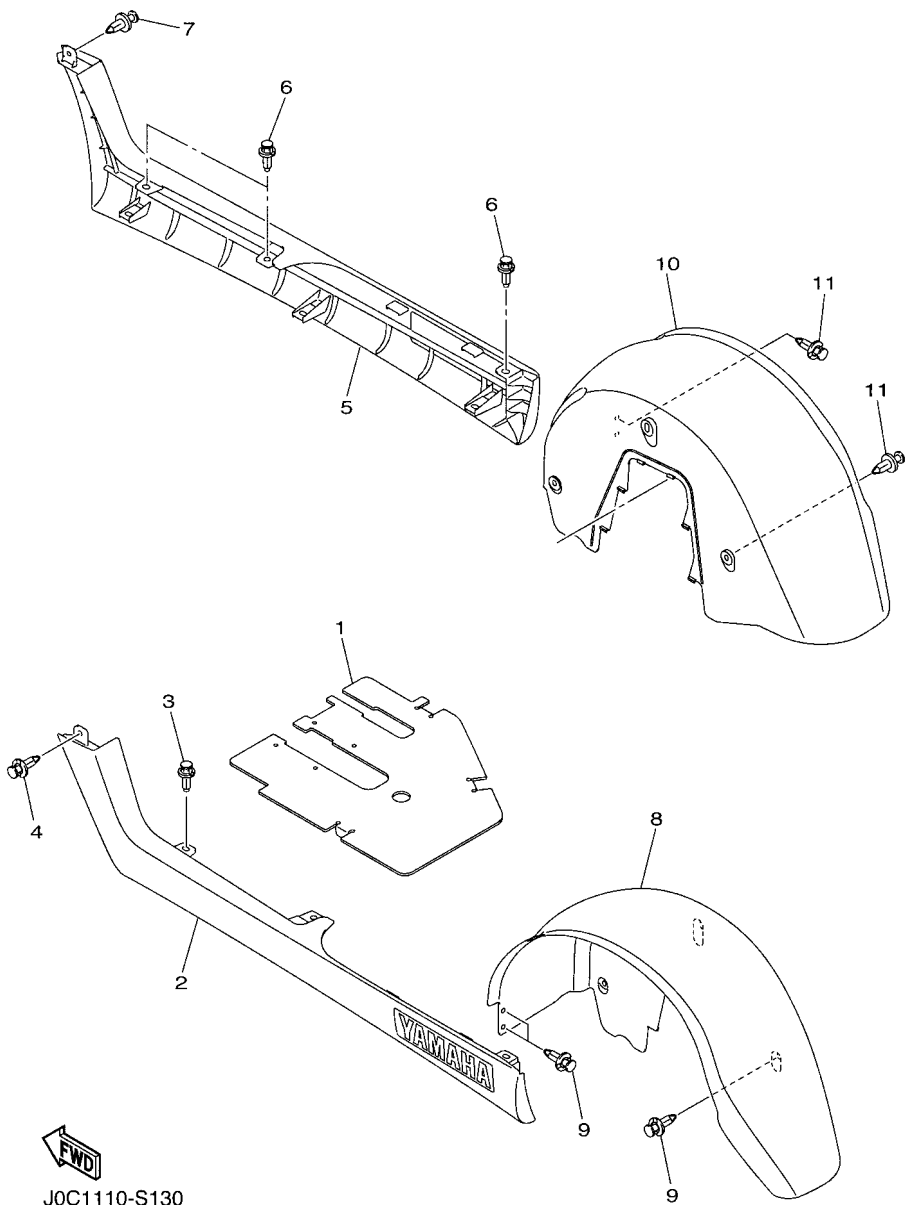


J0E1100-S120

FIG. 12 BODY 2

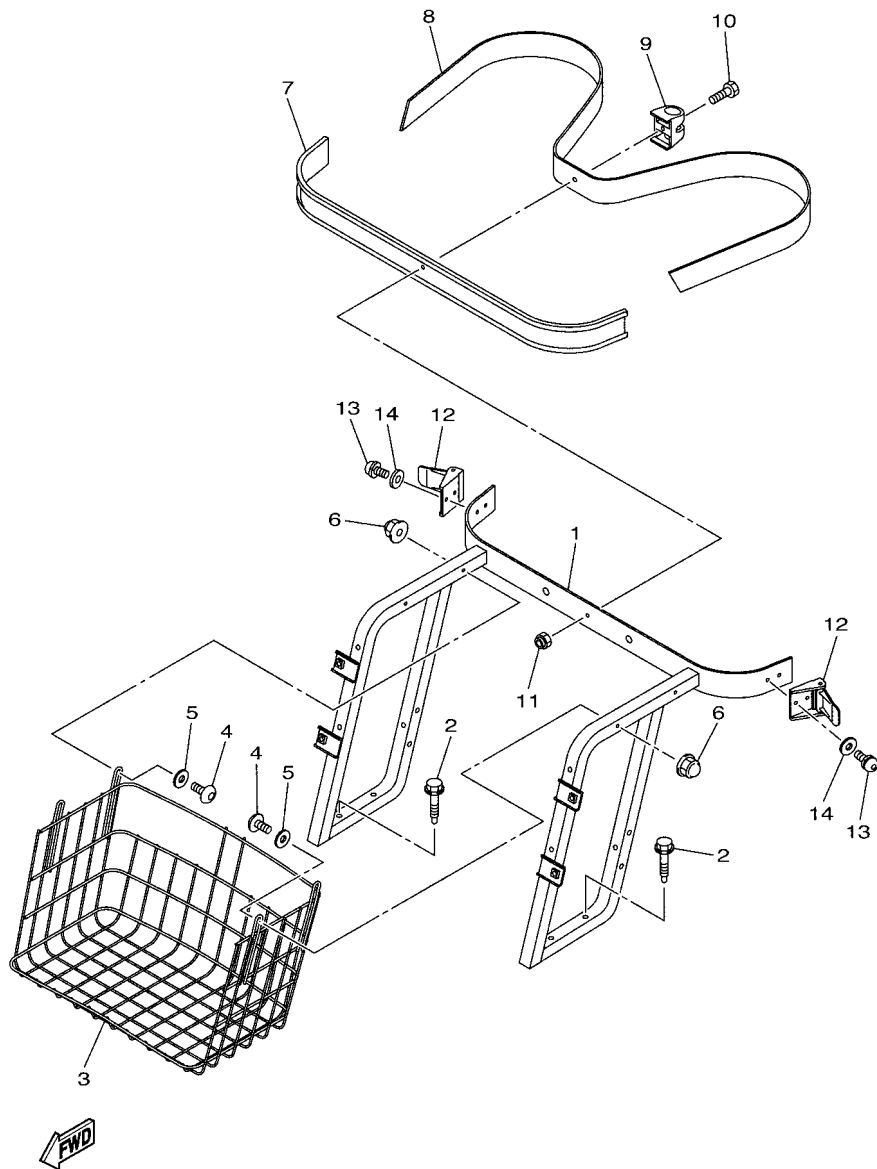
REF. NO.	PART NO.	DESCRIPTION	J0E1		REMARKS
10	J0C-K8141-40	PANEL, INTERMEDIATE BODY	1		UR FOR DYNM2
	J0C-K8141-70	PANEL, INTERMEDIATE BODY	1		UR FOR DRMV
	J0C-K8141-80	PANEL, INTERMEDIATE BODY	1		UR FOR BMG
	J0C-K8141-90	PANEL, INTERMEDIATE BODY	1		URFOR VPBM6
11	90269-07803	RIVET	8		
12	J0B-K8237-01	COVER, REAR FLOOR	1		
13	J0B-F3447-00	CLIP	4		
14	J0B-F1738-00	BOLT	2		
15	J0B-F2873-01	SEAL 1	1		
16	J0B-F2874-01	SEAL 2	1		
17	J0C-K827A-00	GUIDE 1	1		
18	J0E-F1781-00	EMBLEM 1	1		FOR DYNM2,BMG
	J0E-F1781-10	EMBLEM 1	1		EXCEPT DYNM2,BMG
19	J0E-F1782-00	EMBLEM 2	1		FOR DYNM2,BMG
	J0E-F1782-10	EMBLEM 2	1		EXCEPT DYNM2,BMG
20	J0D-H360G-00	REFLECTOR 3	1		
21	J0D-H360H-00	REFLECTOR 4	1		
22	JW9-K8297-01	PLATE, CAUTION 1	1		UR FOR CAN
	JW9-K8297-11	PLATE, CAUTION 1	1		UR EXCEPT FOR CAN
23	J0B-K817H-10	TRIM, SIDE PANEL 1	1		WITH SUN ROOF
	J0B-K817H-00	TRIM, SIDE PANEL 1	1		WITHOUT SUN ROOF
24	J0B-K817J-10	TRIM, SIDE PANEL 2	1		WITH SUN ROOF
	J0B-K817J-00	TRIM, SIDE PANEL 2	1		WITHOUT SUN ROOF

FIG. 13 BODY FITTING



REF. NO.	PART NO.	DESCRIPTION	JOE1				REMARKS
1	J0B-K8271-00	SERVICE LID, PEDAL	1				
2	J0B-K818A-00	PROTECTOR, SIDE PLATE	1				
3	90269-09003	RIVET	3				
4	90269-06804	RIVET	1				
5	J0B-K818B-00	PROTECTOR, SIDE PLATE 2	1				
6	90269-09003	RIVET	3				
7	90269-06804	RIVET	1				
8	J0B-K8191-00	PANEL, REAR FENDER 1	1				
9	90269-06804	RIVET	5				
10	J0B-K8192-00	PANEL, REAR FENDER 2	1				
11	90269-06804	RIVET	5				

FIG. 14 CARRIER



J0B1110-S280

REF. NO.	PART NO.	DESCRIPTION	JOE1				REMARKS
1	J0B-K8423-00	SUPPORT, SEAT BACK	1				
2	90109-08002	BOLT	4				
3	JW1-K8340-00	LUGGAGE RACK ASSY., REAR	1				
4	92017-06040	BOLT, BUTTON HEAD	4				
5	J0B-K7389-00	WASHER	4				
6	90176-06008	NUT, CROWN	4				
7	JF2-K8356-00	PAD, BAG SUPPORT	1				
8	JN6-K8355-20	BAND	1				
9	JW1-K834G-00	HOLDER, RAKE SAND	1				
10	9708R-06020	BOLT	1				
11	90185-06836	NUT, SELF-LOCKING	1				
12	JN6-K8380-00	LOCK ASSY	2				
13	90159-06845	SCREW, WITH WASHER	4				
14	9299R-06200	WASHER	4				

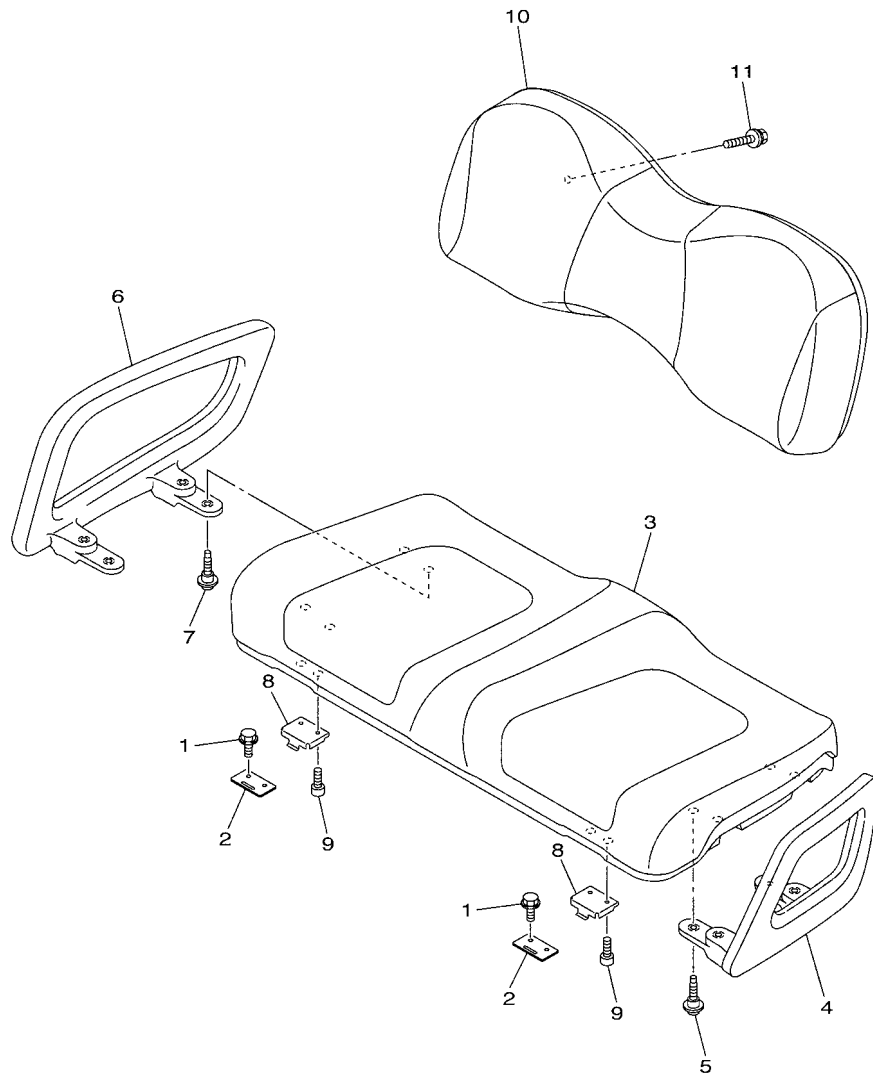


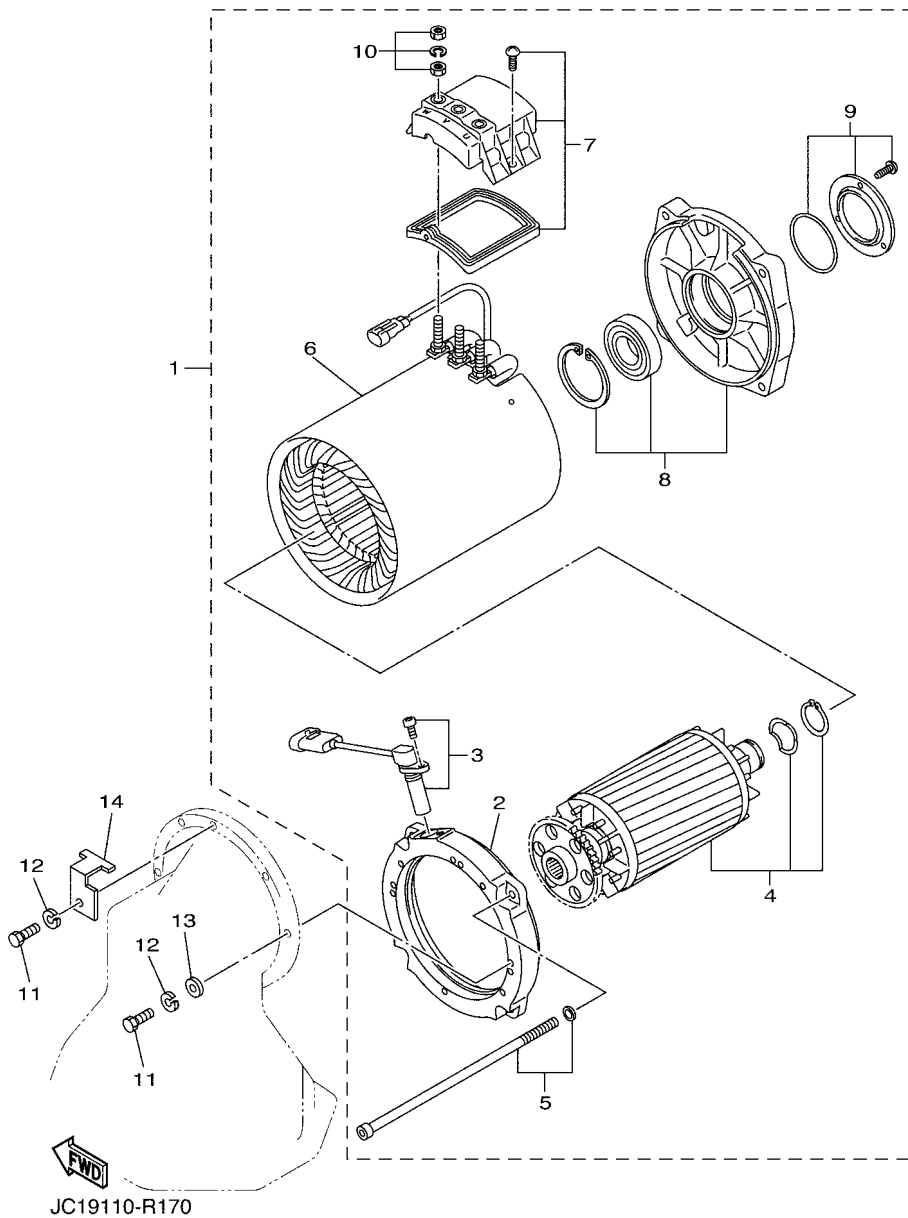
FIG. 16 SEAT

REF. NO.	PART NO.	DESCRIPTION	JOE1				REMARKS
1	JW9-H1674-00	BOLT	4				
2	JW1-K8427-00	HINGE, SEAT 2	2				
3	J0A-K8401-00	SEAT SUB-ASSY,CUSHION	1				
4	J0B-K8361-00	ARM REST 1	1				
5	J0B-F1738-00	BOLT	4				
6	J0B-K8362-00	ARM REST 2	1				
7	J0B-F1738-00	BOLT	4				
8	J0B-K8426-01	HINGE, SEAT 1	2				
9	90110-06125	BOLT, HEXAGON SOCKET HEAD	4				
10	JW1-K8402-10	SEAT SUB ASSY, BACK	1				
11	90119-06808	BOLT, WITH WASHER	4				



J0B1110-S290

FIG. 17 ELECTRIC MOTOR



REF. NO.	PART NO.	DESCRIPTION	JOE1				REMARKS
1	JW3-H1890-00	MOTOR ASSY	1				
2	JW3-H183J-00	.BRACKET, FRONT	1				
3	JW3-H3756-00	.SENSOR, UNIT	1				
4	JW3-H1155-00	.ARMATURE	1				
5	JW3-H2379-00	.SCREW, UNIT	1				
6	JW3-H1117-00	.STATOR	1				
7	JW3-H165G-00	.PLTE, TERMINAL	1				
8	JW3-H182J-00	.BRACKET COMPLETE	1				
9	JW3-H1869-00	.COVER, DUST	1				
10	JW3-H182V-00	.NUT & WASHER KIT	1				
11	90101-069U0	BOLT	3				
12	90215-06811	WASHER, LOCK	3				
13	90201-068E2	WASHER, PLATE	2				
14	JU2-H218E-01	RELIEF, STRAIN 1	1				

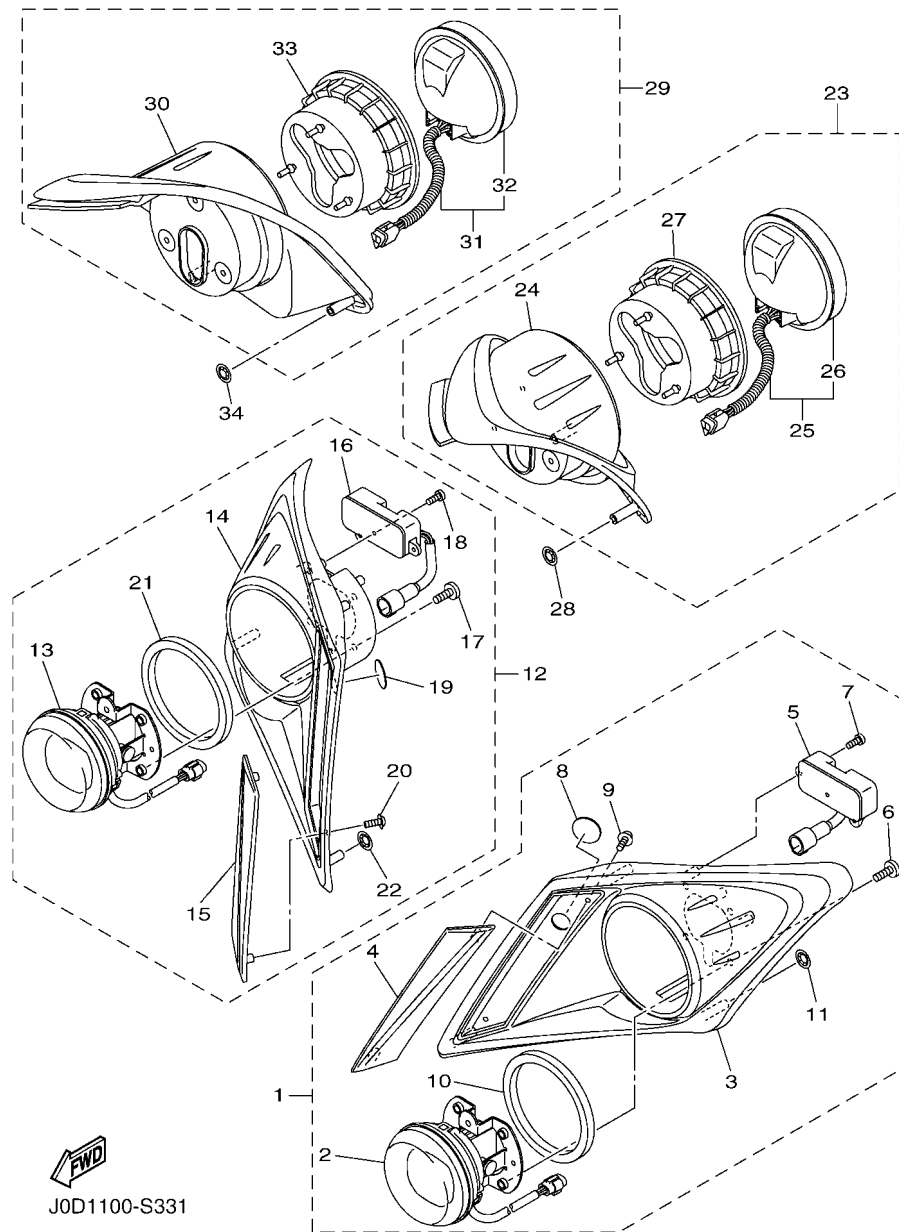
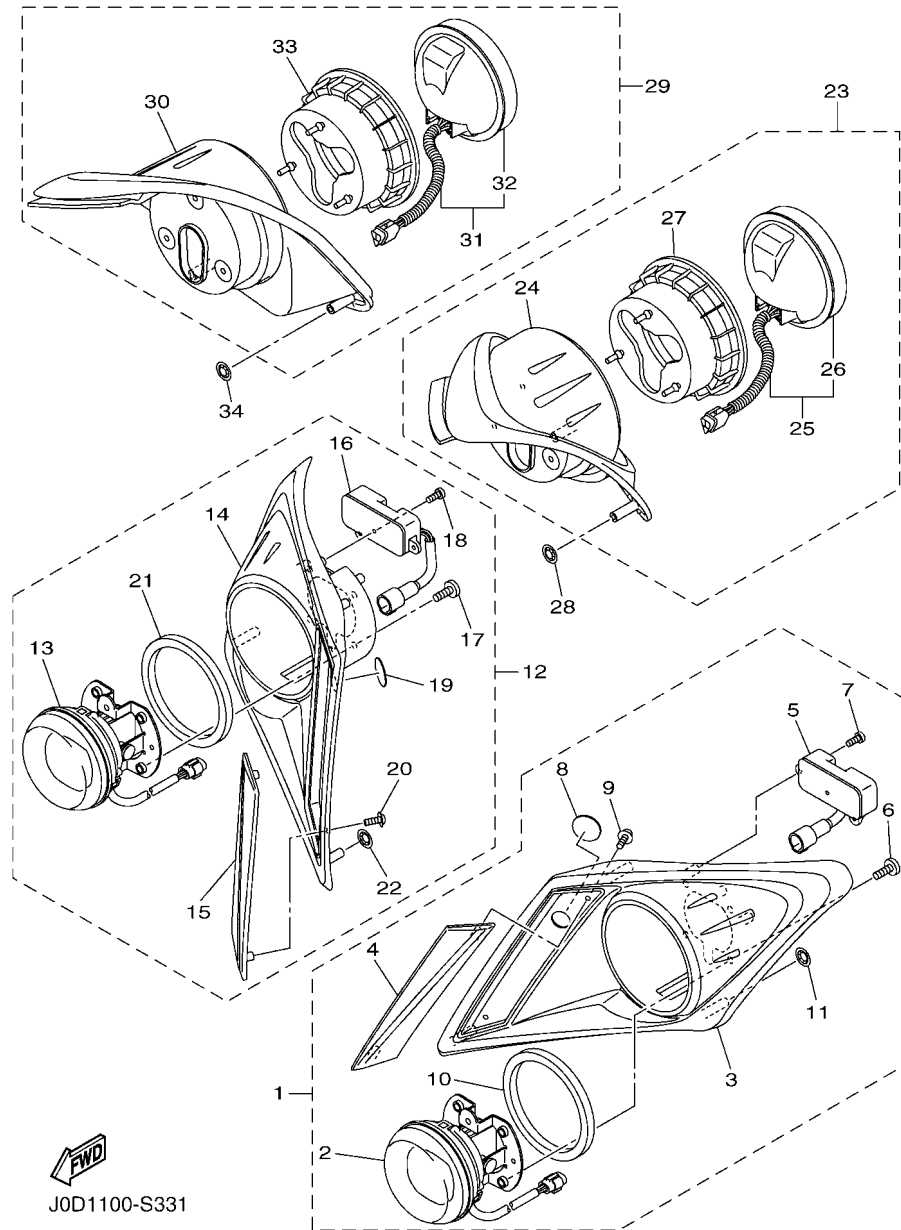


FIG. 18 HEAD & TAIL LIGHT

REF. NO.	PART NO.	DESCRIPTION	JOE1				REMARKS
1	J0D-H4110-00	HEADLIGHT UNIT ASSY	1				
2	J0D-H4300-00	.HEADLIGHT ASSY	1				
3	J0D-H411T-00	.HOLDER, 1	1				
4	J0D-H4385-00	.CAP,1	1				
5	J0D-H5490-00	.LIGHT CONTROL UNIT	1				
6	J0D-H4526-00	.SCREW	4				
7	J0D-H4726-00	.SCREW	3				
8	J0D-H3547-00	.COVER, SOCKET	1				
9	J0D-H4524-00	.SCREW, LENS FITTING	2				
10	J0D-H4195-00	.RING, RETAINING	1				
11	90183-08800	NUT, SPRING	3				
12	J0D-H4170-00	HEAD LIGHT UNIT ASSY	1				
13	J0D-H4300-00	.HEADLIGHT ASSY	1				
14	J0D-H411U-00	.HOLDER, 2	1				
15	J0D-H4386-00	.CAP,2	1				
16	J0D-H5490-00	.LIGHT CONTROL UNIT	1				
17	J0D-H4526-00	.SCREW	4				
18	J0D-H4726-00	.SCREW	3				
19	J0D-H3547-00	.COVER, SOCKET	1				
20	J0D-H4524-00	.SCREW, LENS FITTING	2				
21	J0D-H4195-00	.RING, RETAINING	1				
22	90183-08800	NUT, SPRING	3				
23	J0D-H4710-00	TAILLIGHT UNIT ASSY	1				
24	J0D-H431U-00	.HOLDER	1				
25	J0D-H4700-00	.TAILLIGHT ASSY	1				
26	JC0-H4514-00	.BULB	1				(12V-7W/27W)
27	J0D-H4718-00	.GROMMET	1				



J0D1100-S331

FIG. 18 HEAD & TAIL LIGHT

REF. NO.	PART NO.	DESCRIPTION	JOE1				REMARKS
28	90183-08800	NUT, SPRING	2				
29	J0D-H4730-00	TAILLIGHT UNIT ASSY	1				
30	J0D-H4387-00	.HOLDER	1				
31	J0D-H4700-00	.TAILLIGHT ASSY	1				
32	JC0-H4514-00	.BULB	1				(12V-7W/27W)
33	J0D-H4718-00	.GROMMET	1				
34	90183-08800	NUT, SPRING	2				

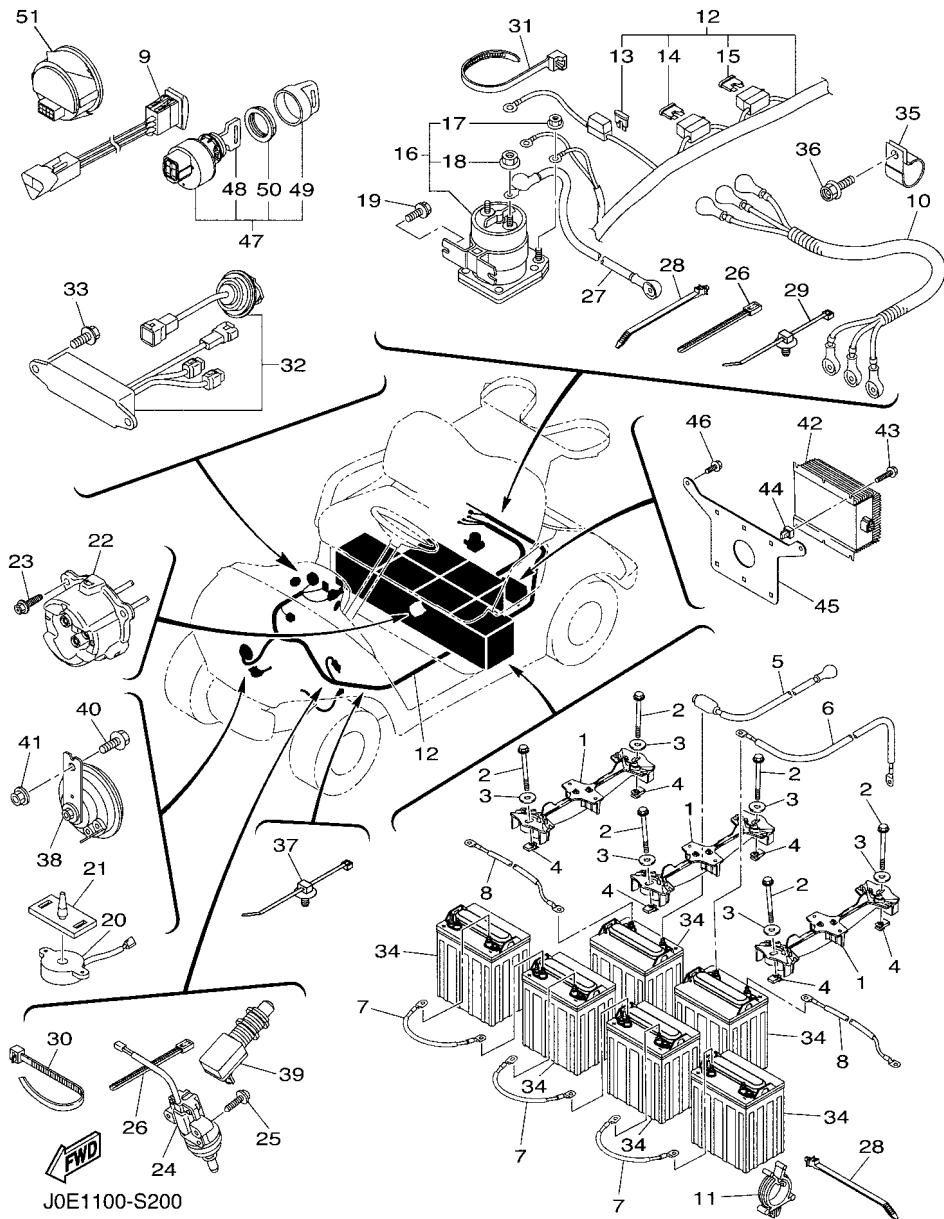


FIG. 20 ELECTRICAL 1

REF. NO.	PART NO.	DESCRIPTION	JOE1				REMARKS
1	JW9-H2136-00	PLATE, BATTERY FITTING	3				
2	JW9-H1892-00	BOLT, SPECIAL	6				
3	90201-08310	WASHER, PLATE	6				
4	JW9-K811K-00	NUT, TRIM FITTING	6				
5	JC1-H2115-00	WIRE, PLUS LEAD	1				
6	JC1-H2116-00	WIRE, MINUS LEAD	1				
7	JC1-H2127-00	WIRE, LEAD 2	3				
8	JC1-H2149-00	WIRE, LEAD 3	2				
9	JU2-H2917-00	SWITCH	1				
10	JC1-H1441-00	LEAD WIRE ASSY	1				
11	90464-25826	CLAMP	2				
12	JOE-H2590-01	WIRE HARNESS ASSY	1				
13	JOE-H2151-00	.FUSE	1				
14	JR1-H2151-00	.FUSE (3A)	1				
15	JOE-H2151-10	.FUSE	1				
16	JU6-H1950-00	RELAY ASSY	1				
17	90179-05807	.NUT	2				
18	90179-08824	.NUT	2				
19	90105-06831	BOLT, FLANGE	2				
20	JR1-H3383-02	BUZZER	1				
21	JN6-H3386-01	STAY, BUZZER	1				
22	JW9-H6181-00	RECEPTACLE	1				
23	JW1-F3394-00	BOLT, SPECIAL	3				
24	JF7-82817-22	SWITCH	1				
25	97602-05225	SCREW, PAN HEAD WITH WASHER	2				
26	90464-40825	CLAMP	3				
27	JOE-H6527-00	WIRE 7	1				

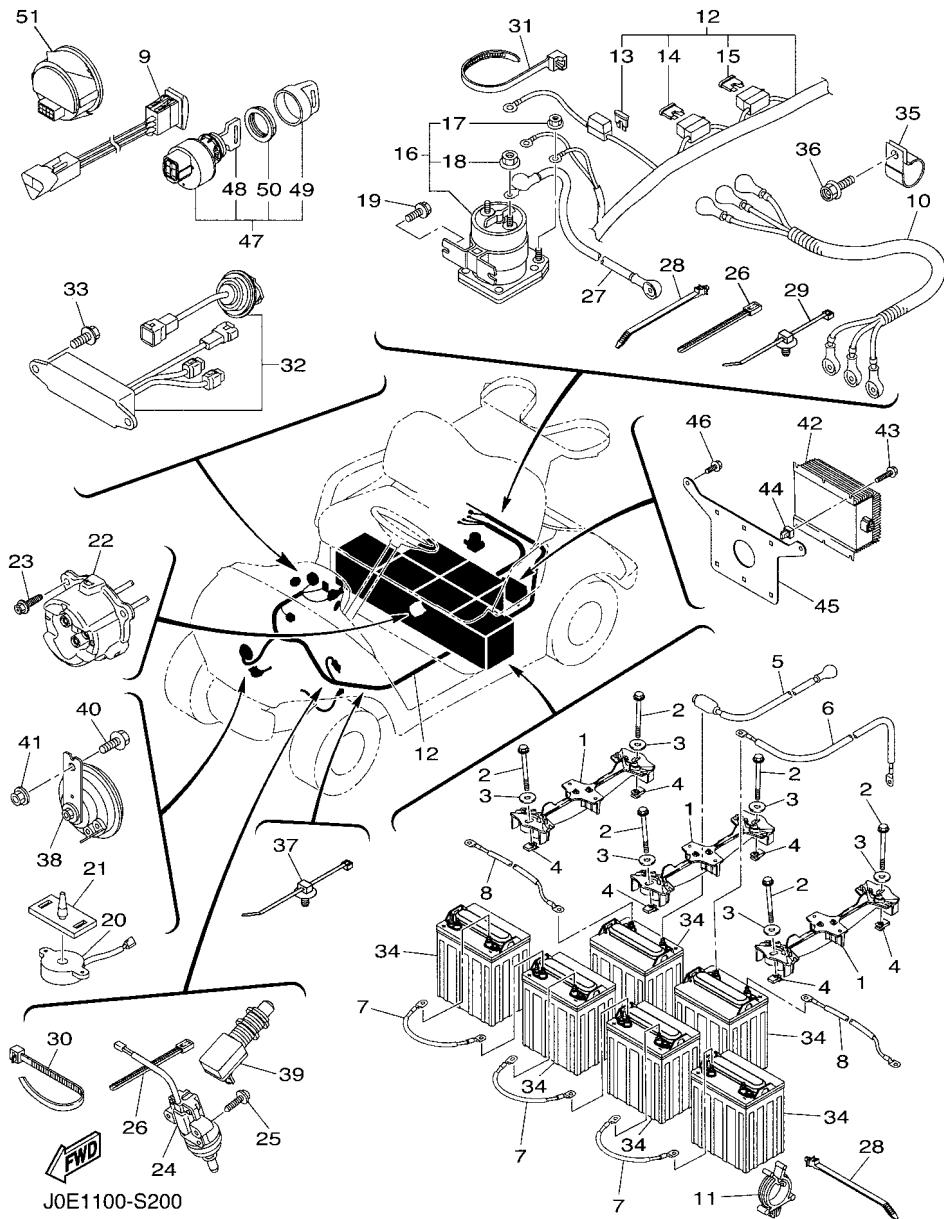
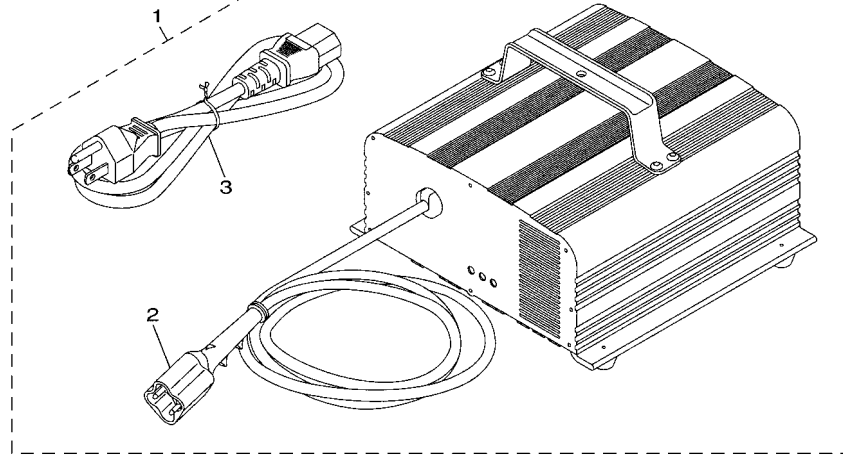


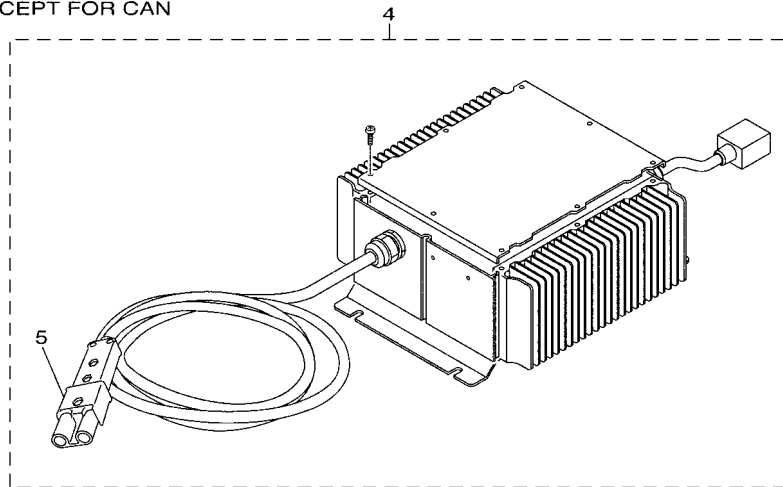
FIG. 20 ELECTRICAL 1

REF. NO.	PART NO.	DESCRIPTION	J0E1	REMARKS
28	90464-20005	CLAMP	9	
29	5B4-F1338-00	CLAMP	1	
30	90464-48800	CLAMP	3	
31	90464-51800	CLAMP	3	213X7.60
32	J0E-H21E0-01	USB ASSY	1	
33	90119-06868	BOLT, WITH WASHER	2	
34	*	BATTERY ASSY	6	LM
35	90461-14108	CLAMP	1	
36	90105-08867	BOLT, FLANGE	1	
37	1NS-F1338-00	CLAMP	1	
38	4LR-83371-11	HORN	1	
39	JR6-H270X-00	SWITCH	1	
40	95822-06016	BOLT, FLANGE	1	
41	95702-06500	NUT, FLANGE	1	
42	JU6-H1910-10	VOLTAGE REGULATOR ASSY	1	
43	JC1-H252V-00	SCREW, SPECIAL	6	
44	JC1-H397K-00	NUT, INSERT	6	
45	JC1-F7876-40	BRKT., SWITCH	1	
46	90105-06831	BOLT, FLANGE	2	
47	JW6-H2510-00	MAIN SWITCH ASSY	1	
48	JU6-H2511-10	.KEY, MAIN SWITCH	2	
49	5UG-H2579-00	.CAP, KEY	1	
50	JU6-H2569-00	.NUT, MAIN SWITCH	1	
51	JC1-H351B-01	GAUGE, BATTERY	1	

FOR CAN



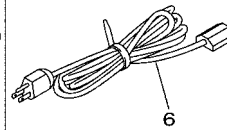
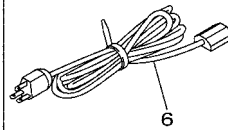
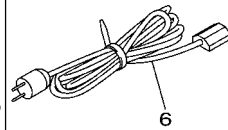
EXCEPT FOR CAN



DEU,ESP,FRA,ITA,
OCE,ZAF
JU2-H1962-00

UK ONLY

BRA,DOM,MEX

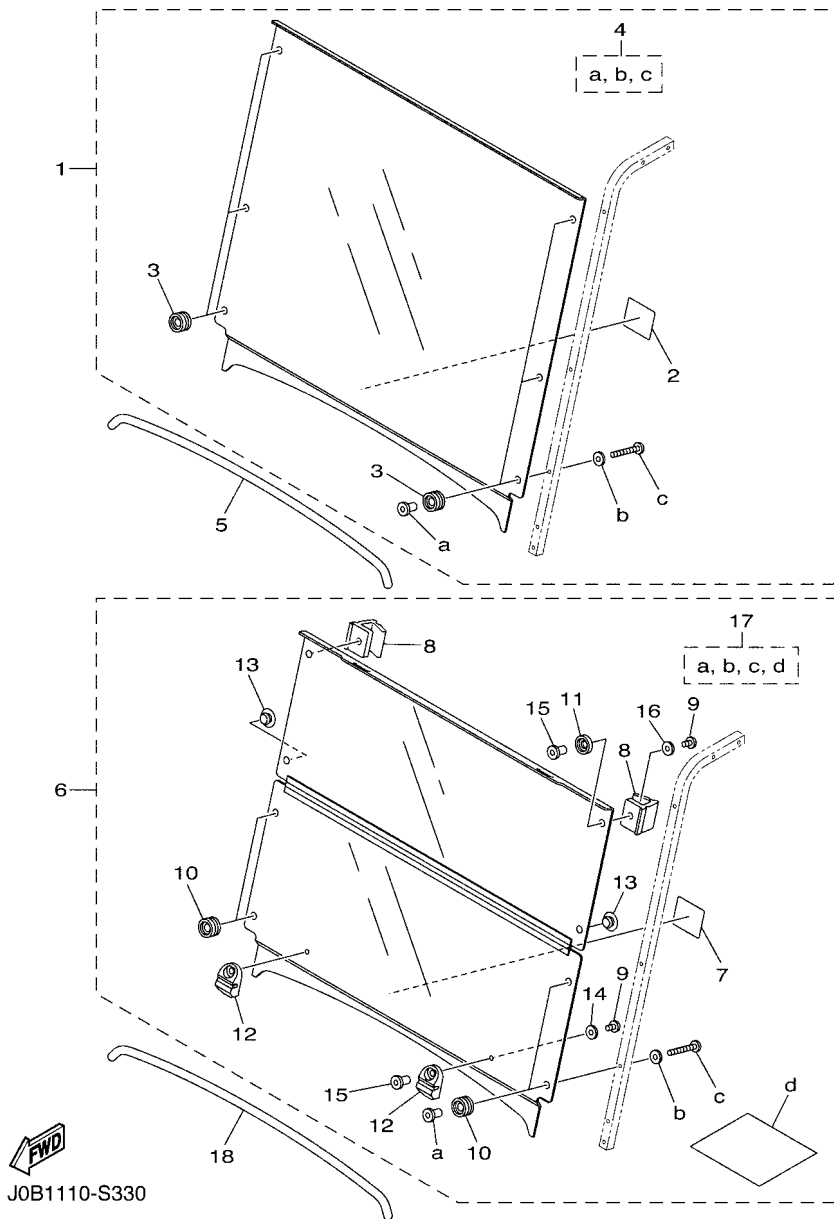


JC15100-M180

FIG. 21 BATTERY CHARGER

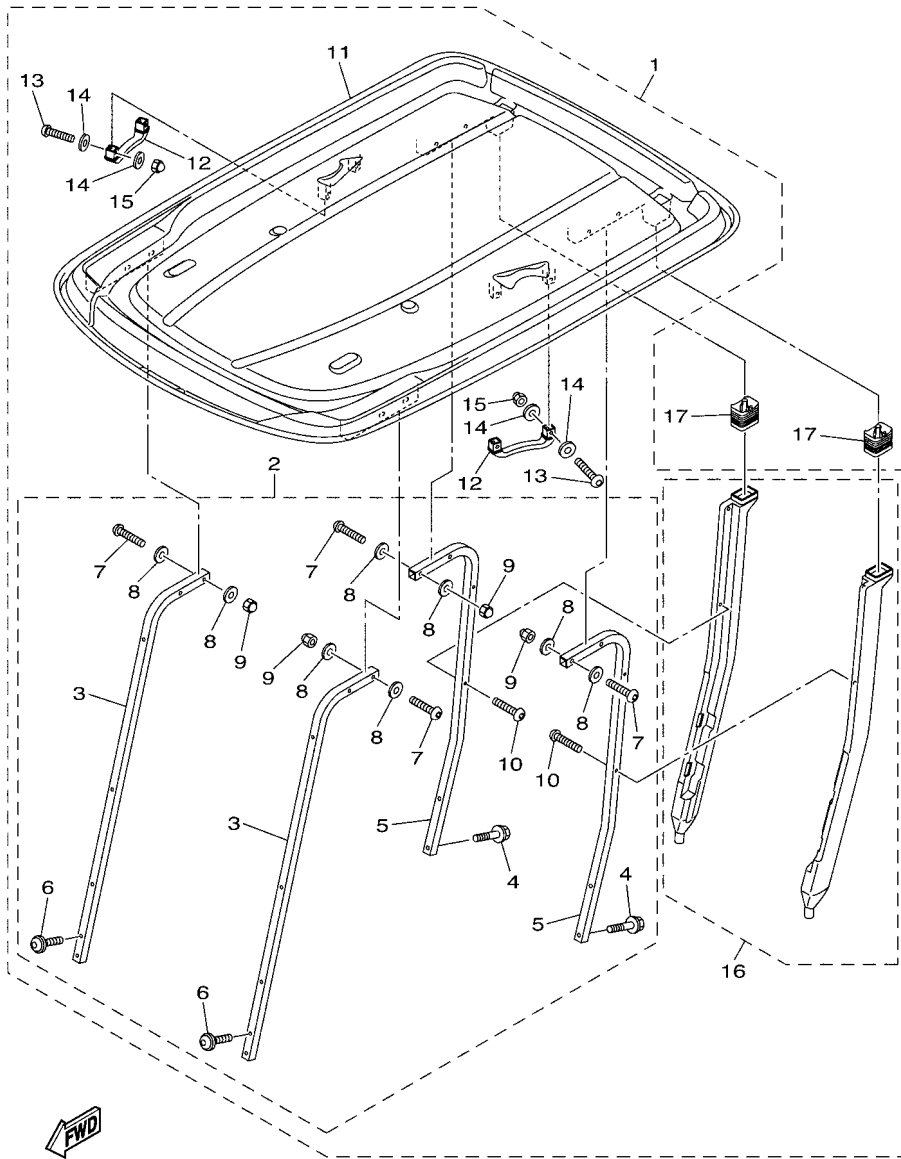
REF. NO.	PART NO.	DESCRIPTION	JOE1			REMARKS
1	JW9-82107-03	CHARGER, BATTERY	1			FOR CAN
2	JW9-82174-00	.DC CORD ASSY	1			FOR CAN
3	JW9-81962-00	.AC CORD COMP.	1			FOR CAN
4	JW2-H2107-13	CHARGER, BATTERY	1			EXCEPT FOR CAN
5	JR1-H235A-00	.DC PLUG SET	1			EXCEPT FOR CAN
6	JU2-H1962-00	CORD COMP. (220V)	1			UR
	JU2-H1962-10	CORD COMP. (240V)	1			UR UK
	JU2-H1962-20	CORD COMP. (100V)	1			UR BRA,DOM,MEX

FIG. 22 ALTERNATE FOR WINDSHIELD



J0B1110-S330

REF. NO.	PART NO.	DESCRIPTION	JOE1				REMARKS
1	J0B-K7200-00	WINDSHIELD ASSY	1				UR CLEAR
	J0B-K7200-10	WINDSHIELD ASSY	1				UR SMOKE
2	J0B-K7458-00	.LABEL, WARNING	1				
3	J0B-K7237-00	.GROMMET	6				
4	J0B-K7240-00	.WIND SHIELD HARDWARE KIT 1	1				
5	J0B-K7213-00	TRIM, UPPER	1				
6	J0B-K7200-20	WINDSHIELD ASSY	1				UR CLEAR
	J0B-K7200-30	WINDSHIELD ASSY	1				UR SMOKE
7	J0B-K7458-00	.LABEL, WARNING	1				
8	J0B-K7173-20	.LEVER, LATCH 1	2				
9	J0B-K7258-00	.SCREW, 2	4				
10	J0B-K7237-00	.GROMMET	2				
11	J0B-K7247-00	.GROMMET, W/S 2	2				
12	J0B-K7257-00	.GROMMET, W/S 3	2				
13	J0B-K7238-00	.DAMPER	2				
14	J0B-K7218-00	.WASHER 1	2				
15	J0B-K7217-00	.NUT, WIND SHIELD	4				
16	J0B-K7219-00	.WASHER 2	2				
17	J0B-K7240-20	.WIND SHIELD HARDWARE KIT 1	1				
18	J0B-K7213-00	TRIM, UPPER	1				



J1B1400-S151

FIG. 23 ALTERNATE FOR SUN ROOF

REF. NO.	PART NO.	DESCRIPTION	JOE1	REMARKS
1	J0B-K84A0-00	SUN TOP KIT	1	UR AP TAN
	J0B-K84A0-10	SUN TOP KIT	1	UR AP BLACK
2	J0B-K84A2-00	.HARDWARE KIT, SUN TOP	1	
3	J0B-K8312-00	..SUPPORT, SUN ROOF 1	2	
4	JW1-K8388-00	..BOLT, ROOF 1	4	
5	JW1-K8313-01	..SUPPORT, SUN ROOF 2	2	
6	J0B-K8388-00	..BOLT, ROOF 1	4	
7	JU0-K8388-00	..BOLT, ROOF 1	8	
8	JW1-F1549-01	..WASHER, FENDER MOLD	16	
9	JU0-K8398-00	..NUT, ROOF 1	8	
10	JW1-K7387-00	..SCREW	4	
11	JW1-K8314-10	..COVER, SUN ROOF	1	UR TAN
	JW1-K8314-20	..COVER, SUN ROOF	1	UR BLACK
12	JW1-K8214-00	..GRIP, HAND	2	
13	JU0-K8388-00	..BOLT, ROOF 1	4	
14	JW1-F1549-01	..WASHER, FENDER MOLD	8	
15	JU0-K8398-00	..NUT, ROOF 1	4	
16	J0B-F417A-00	..DRAIN TUBE ASSY	1	
17	JW1-F414G-10	SEAL	2	

NUMERICAL INDEX

PART NO.	REF. NO.	PART NO.	REF. NO.	PART NO.	REF. NO.	PART NO.	REF. NO.	PART NO.	REF. NO.	PART NO.	REF. NO.
401-22128-01	3 - 16	JW1-F3183-00	4 - 12	JW9-F5672-00	6 - 4	JW8-F7825-01	6 - 27	JU6-H1950-00	20 - 16	J0D-H4386-00	18 - 15
2NL-23448-00	3 - 9	JW8-F3183-00	6 - 16	JW9-F5673-00	6 - 45	JW9-F7850-31	6 - 1	JU2-H1962-00	21 - 6	J0D-H4387-00	18 - 30
2NL-23517-00	3 - 11	J0C-F3350-00	3 - 14	JW8-F5681-10	5 - 5	JW9-F7853-00	6 - 35	JU2-H1962-10	21 - 6	JC0-H4514-00	18 - 26
2HR-23526-00	3 - 3	J0C-F3390-00	3 - 19	JN6-F5685-01	5 - 6	JW9-F7871-10	6 - 36	JU2-H1962-20	21 - 6		18 - 32
JW8-23841-01	4 - 27	JW1-F3394-00	20 - 23	JW9-F5827-00	6 - 53	JW9-F7872-20	6 - 37	JW2-H2107-13	21 - 4	J0D-H4524-00	18 - 9
J38-27204-00	7 - 15	JW1-F3400-00	4 - 10	JW9-F5827-10	6 - 53	JC1-F7876-40	20 - 45	JC1-H2115-00	20 - 5		18 - 20
J38-27205-00	7 - 4	J0B-F3447-00	12 - 2	JC0-F6280-01	15 - 1	JW8-F815H-01	6 - 42	JC1-H2116-00	20 - 6	J0D-H4526-00	18 - 6
J55-27260-00	7 - 9		12 - 5	JC0-F6291-00	15 - 2	JW8-F8319-00	6 - 29	JC1-H2127-00	20 - 7		18 - 17
J55-27270-00	7 - 20		12 - 13	JW8-F6314-00	6 - 21	JC0-F831W-10	15 - 3	JW9-H2136-00	20 - 1	J0D-H4700-00	18 - 25
J10-27282-00	7 - 6	5UG-F3489-00	4 - 20	JW9-F632G-00	6 - 54	JW8-F8323-00	6 - 24	JC1-H2149-00	20 - 8		18 - 31
	7 - 17	JU0-F3511-00	3 - 4	JW9-F6351-10	5 - 1	JW8-F8331-00	6 - 47	J0E-H2151-00	20 - 13	J0D-H4710-00	18 - 23
JW9-81962-00	21 - 3	JW1-F3512-00	3 - 5	JW8-F639L-00	6 - 22	JC0-F839L-10	15 - 4	JR1-H2151-00	20 - 14	J0D-H4718-00	18 - 27
JW9-82107-03	21 - 1	JU0-F3521-20	3 - 12	JW8-F639N-00	6 - 9	JW8-F8363-00	6 - 7	J0E-H2151-10	20 - 15		18 - 33
JW9-82174-00	21 - 2	5UG-F3527-00	4 - 21	JW8-F7113-00	6 - 11	JW8-G2535-00	8 - 34	JU2-H218E-01	17 - 14	J0D-H4726-00	18 - 7
JF7-82817-22	20 - 24	J0B-F3570-10	3 - 1	JW8-F7117-00	6 - 6	JW8-G2536-00	8 - 35	J0E-H21E0-01	20 - 32		18 - 18
4LR-83371-11	20 - 38	JW1-F3811-03	4 - 1	JW8-F7118-00	6 - 41	JW8-G2541-00	8 - 39	JR1-H235A-00	21 - 5	J0D-H4730-00	18 - 29
JC1-86510-02	19 - 1	JW1-F3812-00	4 - 13	JW8-F7119-00	6 - 28	JW8-G2756-00	8 - 36	J0B-H2370-00	11 - 14	J0D-H5490-00	18 - 5
J0B-F125J-00	2 - 17	JW1-F3822-01	4 - 29	JW8-F7121-00	6 - 13	JH7-G3396-01	8 - 9	JW3-H2379-00	17 - 5		18 - 16
1NS-F1338-00	20 - 37	JU0-F3828-10	4 - 4	JW9-F7200-21	6 - 2	JW8-G4178-00	8 - 32	JW6-H2510-00	20 - 47	JW9-H5885-00	6 - 52
5B4-F1338-00	20 - 29	1P0-F3833-00	4 - 26	JW8-F7213-20	6 - 34	JW8-G5244-00	8 - 33	JU6-H2511-10	20 - 48	JW9-H6181-00	20 - 22
JW1-F1549-01	23 - 8	JW1-F3837-00	4 - 22	JW8-F7217-00	6 - 32	JW8-G5378-00	8 - 22	JC1-H252V-00	20 - 43	J0E-H6527-00	20 - 27
	23 - 14	JN3-F3838-00	4 - 6	JW8-F7218-00	6 - 10	JW9-G6136-00	8 - 8	JU6-H2569-00	20 - 50	J0B-K7173-20	22 - 8
J0B-F1738-00	2 - 6	5UG-F3844-00	4 - 19	JW9-F7221-00	6 - 14	J0E-G6300-00	7 - 1	5UG-H2579-00	20 - 49	J0B-K7200-00	22 - 1
	12 - 9	JU0-F3857-11	4 - 3	JW9-F7228-00	6 - 23		8 - 1	J0E-H2590-01	20 - 12	J0B-K7200-10	22 - 5
	12 - 14		4 - 5	JW9-F7231-10	6 - 18	JW9-G6312-00	8 - 19	JR6-H270X-00	20 - 39	J0B-K7200-20	22 - 6
	16 - 5	JW1-F3866-00	4 - 24	JW9-F7232-00	6 - 19	JW9-G631A-00	8 - 18	JC1-H2727-00	19 - 2	J0B-K7200-30	22 - 6
	16 - 7	JW1-F387A-00	4 - 11	JW9-F7245-10	6 - 30	JW9-G6321-00	8 - 3	JU2-H2917-00	20 - 9	JC0-K7212-00	15 - 8
JW1-F1738-00	2 - 8	JW1-F387E-00	4 - 14	JW9-F7246-20	6 - 46	JW9-G6350-00	8 - 11	J0D-H333B-00	11 - 15	J0B-K7213-00	22 - 5
J0E-F1781-00	12 - 18	5UG-F387F-00	4 - 17	JW9-F7263-00	6 - 49	JW9-G6410-00	8 - 15	J0D-H334B-00	11 - 16		22 - 18
J0E-F1781-10	12 - 18	5UG-F387G-00	4 - 15	JW8-F7280-00	7 - 13	JW9-G6421-00	8 - 13	JR1-H3383-Q2	20 - 20	J0B-K7217-00	22 - 15
J0E-F1782-00	12 - 19	5UG-F387J-00	4 - 18	JW8-F7281-00	7 - 5	JN3-G6432-00	8 - 20	JN6-H3386-01	20 - 21	JW1-K7217-00	15 - 7
J0E-F1782-10	12 - 19	5UG-F387K-00	4 - 16		7 - 16	JR1-G6511-00	8 - 25	JC1-H351B-01	20 - 51	J0B-K7218-00	22 - 14
J0C-F2110-00	1 - 1	JW1-F3894-00	4 - 25	JW8-F7286-00	7 - 10	JR1-G6512-00	8 - 26	J0D-H3547-00	18 - 8	J0B-K7219-00	22 - 16
JN6-F2123-10	1 - 2	JW1-F414G-10	23 - 17		7 - 21	JW8-G6514-00	8 - 31		18 - 19	J0B-K7237-00	22 - 3
JN6-F2124-10	1 - 6	J0B-F4161-00	11 - 2	JW8-F7290-00	7 - 2	JW3-G6521-00	8 - 37	J0D-H360G-00	12 - 20		22 - 10
J0B-F2127-00	2 - 13	J0B-F417A-00	23 - 16	JW8-F7316-01	6 - 31	JW3-H1117-00	17 - 6	J0D-H360H-00	12 - 21	J0B-K7238-00	22 - 13
JW1-F217G-10	1 - 10	JW8-F41B8-00	6 - 51	JW8-F7317-00	6 - 40	JW3-H1155-00	17 - 4	JW3-H3756-00	17 - 3	J0B-K7240-00	22 - 4
JW9-F2198-10	2 - 10	JW8-F4486-00	6 - 44	JW8-F7318-00	6 - 20	JC1-H1441-00	20 - 10	JC1-H397K-00	20 - 44	J0B-K7240-20	22 - 17
J0E-F2210-00	1 - 14		6 - 48	JW8-F7322-00	6 - 15	JW3-H165G-00	17 - 7	J0D-H4110-00	18 - 1	J0B-K7247-00	22 - 11
JW9-F2417-00	2 - 9	JW9-F4648-20	6 - 50	J0E-F7411-01	2 - 5	JW9-H1674-00	16 - 1	J0D-H411T-00	18 - 3	J0B-K7257-00	22 - 12
J0A-F2501-00	2 - 1	JW1-F467K-00	4 - 23	JW8-F7416-00	6 - 8	JW3-H182J-00	17 - 8	J0D-H411U-00	18 - 14	J0B-K7258-00	22 - 9
JC1-F252M-10	2 - 4	JC1-F5100-01	9 - 1	JW8-F7426-01	6 - 17	JW3-H182V-00	17 - 10	J0D-H4170-00	18 - 12	JW7-K7329-00	12 - 8
JW9-F2535-00	2 - 7	JC1-F5103-00	3 - 21	JW8-F7434-00	6 - 39	JW3-H183J-00	17 - 2	J0D-H4195-00	18 - 10	JW1-K7387-00	23 - 10
J0B-F255G-00	2 - 2	JW8-F5118-00	8 - 38	JW8-F7435-00	6 - 56	JW3-H1869-00	17 - 9		18 - 21	JW1-K7387-10	15 - 5
J0B-F258E-00	2 - 11	JN6-F5118-01	3 - 29	JW8-F7438-00	6 - 38	JW3-H1890-00	17 - 1	J0D-H4300-00	18 - 2	J0B-K7389-00	14 - 5
J0B-F2873-01	12 - 15	JW8-F5415-00	6 - 25	JW9-F7445-31	6 - 33	JW9-H1892-00	20 - 2		18 - 13	J0B-K7458-00	22 - 2
J0B-F2874-01	12 - 16	JW9-F5666-00	6 - 12	JW8-F7814-21	6 - 3	JU6-H1910-10	20 - 42	J0D-H431U-00	18 - 24		22 - 7
JW7-F312H-00	5 - 4	JW9-F5671-00	6 - 5		6 - 43	JC1-H1945-00	19 - 3	J0D-H4385-00	18 - 4	J0B-K7510-00	10 - 1

NUMERICAL INDEX

PART NO.	REF. NO.	PART NO.	REF. NO.	PART NO.	REF. NO.	PART NO.	REF. NO.	PART NO.	REF. NO.	PART NO.	REF. NO.
JW8-K7540-00	10 - 7	J0B-K817J-10	12 - 24	J0B-K84A0-00	23 - 1	90201-05824	6 - 55	91702-10026	5 - 2		
JU0-K7573-00	11 - 3	J0B-K818A-00	13 - 2	J0B-K84A0-10	23 - 1	90201-068E2	17 - 13	92017-06040	14 - 8		
J0C-K7741-00	11 - 10	J0B-K818B-00	13 - 5	J0B-K84A2-00	23 - 2	90201-068G7	15 - 6	92902-08600	4 - 31		
JC0-K7762-00	4 - 38	J0B-K8191-00	13 - 8	JN9-W2536-00	7 - 3	90201-08310	20 - 3	92902-10100	1 - 12		
JC0-K7762-11	4 - 38	J0B-K8192-00	13 - 10		7 - 14	90201-121H8	7 - 12	92902-10600	1 - 13		
JC0-K7762-21	4 - 38	J0B-K819H-00	12 - 7	90101-069U0	17 - 11		7 - 23	92902-12200	4 - 8		
J0B-K7768-00	11 - 8	JW1-K8214-00	23 - 12	90101-08855	8 - 23	90201-121H9	7 - 11	9299R-06200	14 - 14		
J0B-K7768-10	11 - 8	J0D-K8233-00	11 - 17	90101-08856	8 - 21		7 - 22	93101-24822	8 - 28		
J0B-K7768-20	11 - 8	J0B-K8237-01	12 - 12	90101-10854	8 - 16	90201-128S4	1 - 9	93102-30083	3 - 26		
J0D-K8111-00	12 - 1	J0B-K8243-00	11 - 20	90105-06831	2 - 15	90208-14801	3 - 27	93210-148B9	8 - 12		
J0D-K8111-20	12 - 1	J0B-K8244-00	11 - 22		11 - 4	90215-06811	17 - 12	93210-478B8	8 - 5		
J0D-K8111-30	12 - 1	J0B-K8271-00	13 - 1		20 - 19	90249-14129	5 - 9	93306-00440	8 - 30		
J0D-K8111-40	12 - 1	J0B-K8273-00	11 - 19		20 - 46	90269-06804	11 - 5	93306-005Y1	8 - 6		
J0D-K8111-70	12 - 1	J0C-K827A-00	12 - 17	90105-06833	19 - 5		13 - 4	93306-005Y3	3 - 24		
J0D-K8111-80	12 - 1	J0D-K8282-00	11 - 9	90105-08867	2 - 12		13 - 7	93306-007Y0	8 - 14		
J0D-K8111-90	12 - 1	JW9-K8297-01	12 - 22		20 - 36		13 - 9	93306-203X1	8 - 7		
J0D-K8111-A0	12 - 1	JW9-K8297-11	12 - 22	90105-088B6	2 - 16		13 - 11	93306-204X0	3 - 23		
J0D-K8112-00	12 - 4	JW2-K8298-10	2 - 19	90105-10219	3 - 8	90269-07803	11 - 7	93306-303Y6	8 - 10		
J0D-K8112-20	12 - 4	JW2-K8298-20	2 - 19	90105-10267	3 - 13		11 - 21	93420-44805	8 - 29		
J0D-K8112-30	12 - 4	J0B-K8312-00	23 - 3		3 - 20		11 - 23	93420-50804	8 - 4		
J0D-K8112-40	12 - 4	JW1-K8313-01	23 - 5	90105-10373	3 - 6		12 - 3	95302-08700	10 - 5		
J0D-K8112-70	12 - 4	JW1-K8314-10	23 - 11	90105-10840	8 - 2		12 - 6	95307-08700	5 - 8		
J0D-K8112-80	12 - 4	JW1-K8314-20	23 - 11	90105-10847	4 - 28		12 - 11	95602-10200	1 - 16		
J0D-K8112-90	12 - 4	J0B-K832F-00	11 - 24	90105-13800	1 - 3	90269-09003	11 - 18		3 - 7		
J0D-K8112-A0	12 - 4	J0B-K832F-10	11 - 24	90109-08002	14 - 2		13 - 3		10 - 8		
J0E-K8114-00	11 - 6	J0B-K832G-00	11 - 25	90110-06125	16 - 9		13 - 6	95602-12200	1 - 8		
J0D-K8115-00	11 - 1	J0B-K832G-10	11 - 25	90111-05805	11 - 12	90381-17800	3 - 10		4 - 9		
J0D-K8115-20	11 - 1	JW1-K8340-00	14 - 3	90114-12805	3 - 22	90381-18801	3 - 2	95602-14100	3 - 28		
J0D-K8115-30	11 - 1	JW1-K834G-00	14 - 9	90119-06808	16 - 11	90386-12800	6 - 26	95612-12100	3 - 18		
J0D-K8115-40	11 - 1	JN6-K8355-20	14 - 8	90119-06868	20 - 33	90387-046N7	4 - 37	95702-06500	20 - 41		
J0D-K8115-70	11 - 1	JF2-K8356-00	14 - 7	90119-10044	1 - 5	90387-12016	3 - 15	95812-08016	10 - 3		
J0D-K8115-80	11 - 1	JW8-K8357-00	4 - 32	90159-06845	14 - 13	90387-241M7	3 - 25	95812-08020	4 - 2		
J0D-K8115-90	11 - 1	JN6-K8358-01	4 - 33	90170-08841	8 - 24	90461-14108	20 - 35		6 - 57		
J0D-K8115-A0	11 - 1	J0B-K835E-00	11 - 11	90170-10840	8 - 17	90464-20005	20 - 28	95812-08040	2 - 3		
JW9-K811K-00	20 - 4	J0B-K8361-00	16 - 4	90176-06008	14 - 6	90464-25826	20 - 11	95812-08050	10 - 4		
J0C-K8141-00	12 - 10	J0B-K8362-00	16 - 6	90179-05807	20 - 17	90464-40825	20 - 26	95812-10055	1 - 15		
J0C-K8141-20	12 - 10	JN6-K8380-00	14 - 12	90179-08822	5 - 7	90464-48800	20 - 30	95812-12065	1 - 7		
J0C-K8141-30	12 - 10	J0B-K8388-00	23 - 6	90179-08824	20 - 18	90464-51800	20 - 31	95812-12080	3 - 17		
J0C-K8141-40	12 - 10	JU0-K8388-00	23 - 7	90179-12262	9 - 2	90464-76800	2 - 18	95822-06012	10 - 6		
J0C-K8141-70	12 - 10		23 - 13	90179-13800	1 - 4	90468-20196	5 - 3	95822-06016	20 - 40		
J0C-K8141-80	12 - 10	JW1-K8388-00	23 - 4	90183-05008	11 - 13	90502-10013	4 - 36	97012-08030	4 - 30		
J0C-K8141-90	12 - 10	JU0-K8398-00	23 - 9	90183-08800	18 - 11	90506-14001	7 - 8	97012-10020	1 - 11		
J0C-K8141-A0	12 - 10		23 - 15		18 - 22		7 - 19	9708R-06020	14 - 10		
J0B-K8164-00	10 - 2	J0A-K8401-00	16 - 3		18 - 28	90506-20281	7 - 7	97527-08516	19 - 4		
J0B-K816M-00	2 - 14	JW1-K8402-10	16 - 10		18 - 34		7 - 18	97602-05225	20 - 25		
J0B-K817H-00	12 - 23	J0B-K8423-00	14 - 1	90185-06836	14 - 11	91490-25015	5 - 12	97702-40525	4 - 34		
J0B-K817H-10	12 - 23	J0B-K8426-01	16 - 8	90185-12008	4 - 7	91490-30030	8 - 27	99001-09600	5 - 10		
J0B-K817J-00	12 - 24	JW1-K8427-00	16 - 2	90201-04810	4 - 35	91702-08018	5 - 11				