



# PARTS CATALOGUE

## DR2E21T ACL ( J1K5 ) EUROPE, OTHERS

---



1WJ1K-100E1

( )

DR2E21T ACL  
PARTS CATALOGUE  
©2020 by Yamaha Motor Co., Ltd.  
1st edition, April 2020  
All rights reserved.  
Any reprinting or unauthorized use  
without the written permission of  
Yamaha Motor Co., Ltd.  
is expressly prohibited.  
Printed in Japan.

# FOREWORD

This Parts Catalogue is related to the parts for the model(s) on the cover page. When you are ordering replacement parts, please refer to this Parts Catalogue and quote both part numbers and part names correctly.

1. Modifications or additions which have been made after the issue of the Parts Catalogue will be announced in the Parts News.  
It is advisable that you make the necessary corrections to the Parts Catalogue according to the Parts News.

2. Abbreviations

The following abbreviations are used in this Parts Catalogue.

“UR” Use specified parts number.

“UN” Use as many as needed.

“AP” Alternate Parts

“LM” Locally Made (Parts need to be ordered locally)

“F#” Frame No. (Applicable machine No.)

“O/S” Over Size

3. The number of components for assembly

- Parts, which are to be supplied in an assembly, are listed with a dot (.) in front of the part name as shown below.
- The numeral appearing to the right of each component part indicates the quantity of parts for each assembly unit.

PART NO.	DESCRIPTION	Q'TY	REMARKS
2F5-83310-60	FRONT FLASHER LIGHT ASSY	2	
115-83311-60	.BULB (6V-18W)	1	

4. Applicable colours of graphics are represented in the “REMARKS” as shown below.

PART NO.	DESCRIPTION	Q'TY	REMARKS
2N4-24110-00-X5	FUEL TANK COMP.	2	MXR
3J1-24240-10	.GRAPHIC, FUEL TANK	1	FOR MXR

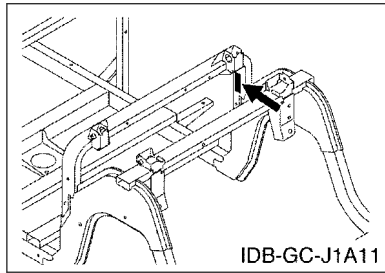
5. Note that the illustrations for reference in finding parts numbers are not to be used for assembling. When assembling, please use the applicable service manual.

6. The asterisk (\*) before a reference number indicates modified items after the first edition.

# FOREWORD

7. Applicable Serial No.

Frame Serial No.



8. Applicable Colour Code (The (\*) mark shows Model colour.)

Abbreviation	Colour Name	Colour Code
BW1(*)	BLUISH WHITE 1	1571
DNGM3(*)	DARK GRAYISH GREEN METALLIC 3	0712
DPBMU(*)	DARK PURPLISH BLUE METALLIC U	0996
DRMK(*)	DEEP RED METALLIC K	0918
LYNM9(*)	LIGHT YELLOWISH GRAY ME 9	0752
SM1(*)	SILVER METALLIC 1	0660

9. Quantity Column Information

Column No.	Name Of Q'ty Column	Destination
1	J1K5	EUROPE, OTHERS

10. Applicable Starting Serial No.

Frame Serial No.

Serial No.	Name Of Q'ty Column	Model Code
J1K-501001	J1K5	J1K5

# CONTENTS

## BODY

REAR ARM & SUSPENSION.....	1
FRAME.....	2
FRONT SUSPENSION.....	3
STEERING.....	5
PEDAL WIRE.....	7
PEDAL ASSEMBLY.....	8
BRAKE.....	11

## DRIVE

TRANSAXLE.....	12
WHEEL.....	14

## R/G

WINDSHIELD.....	15
BUMPER.....	16
BODY.....	17
BODY 2.....	19
BODY FITTING.....	21
SUN ROOF.....	22
CARRIER.....	23
SEAT.....	24

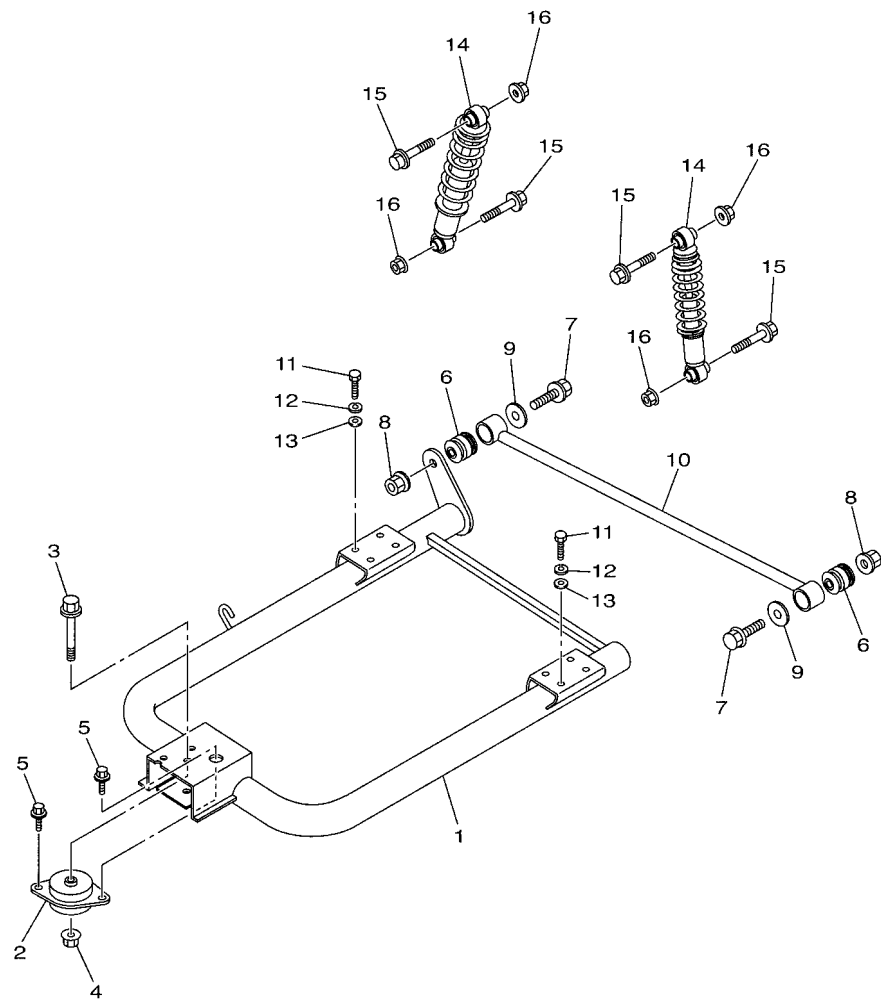
## ELECTRICAL

ELECTRIC MOTOR.....	25
CONTROLLER 1.....	26
ELECTRICAL 1.....	27
BATTERY CHARGER.....	29

## INDEX

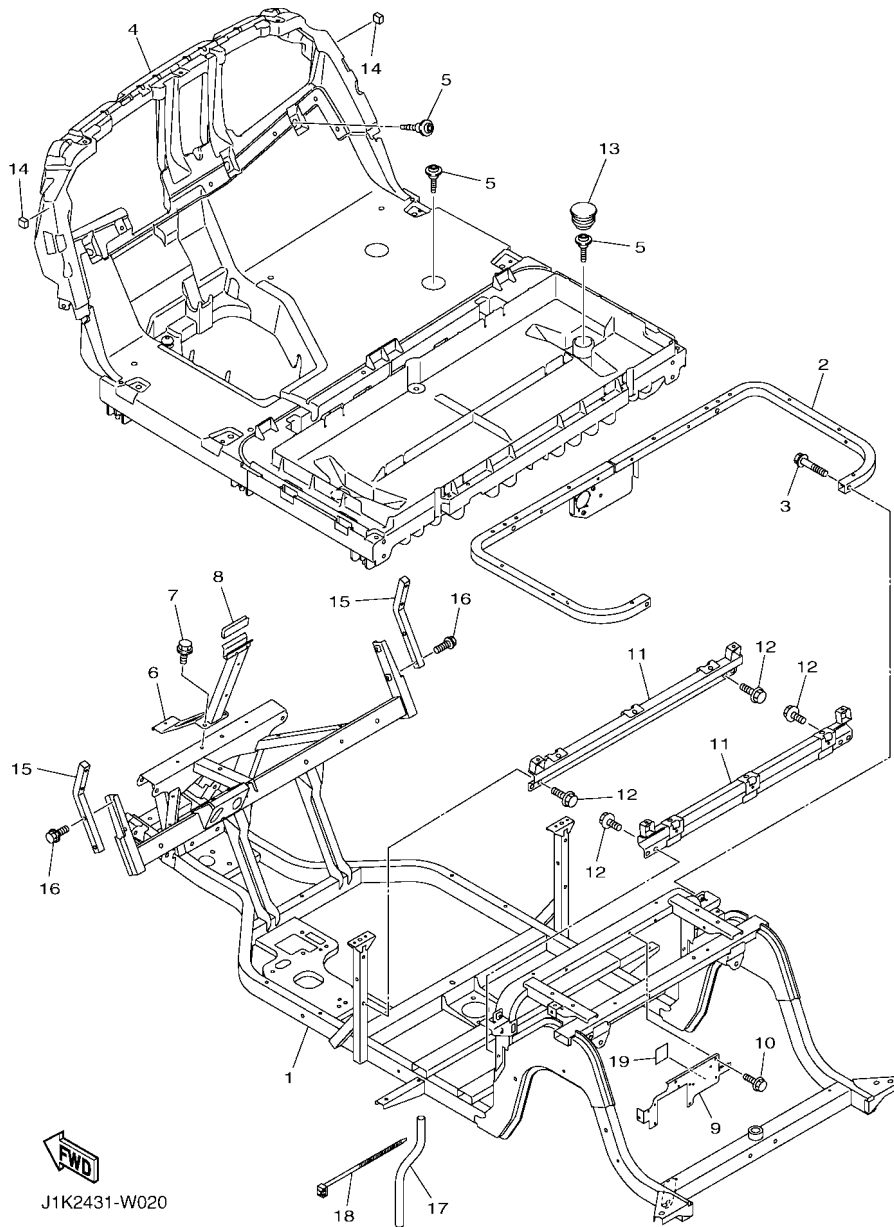
NUMERICAL INDEX.....	30
----------------------	----

**FIG. 1 REAR ARM & SUSPENSION**



J0C1110-S010

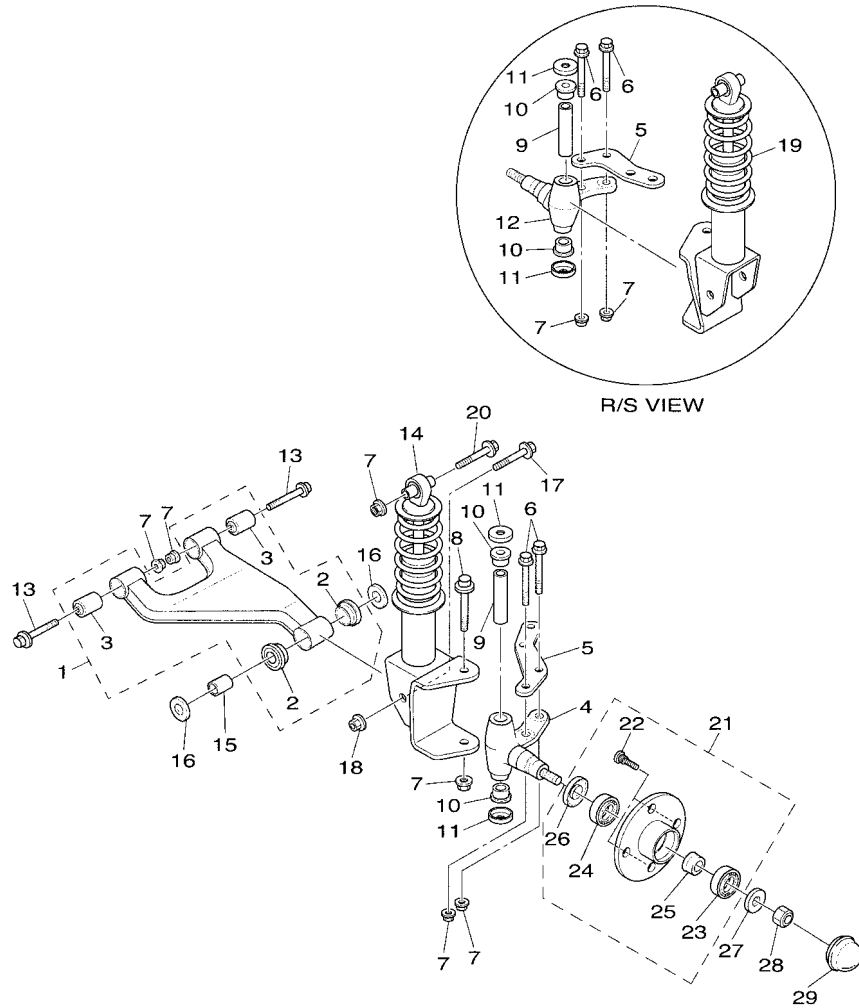
REF. NO.	PART NO.	DESCRIPTION	J/K/S				REMARKS
1	J1B-F2110-00	REAR ARM COMP.	1				
2	JX4-22123-00	BUSH 1	1				
3	90105-12031	BOLT, FLANGE	1				
4	95602-12200	NUT, SELF-LOCKING	1				
5	95812-10016	BOLT, FLANGE	2				
6	JN6-F2124-10	BUSH 2	2				
7	95812-12065	BOLT, FLANGE	2				
8	95602-12200	NUT, SELF-LOCKING	2				
9	90201-12426	WASHER, PLATE	2				
10	J1A-F217G-00	ROD, CONNECTING 2	1				
11	97012-10020	BOLT	8				
12	92902-10100	WASHER, SPRING	8				
13	92902-10600	WASHER, PLATE	8				
14	J0C-F2210-00	SHOCK ABSORBER ASSY, REAR	2				
15	95812-10055	BOLT, FLANGE	4				
16	95602-10200	NUT, S/L FLANGE	4				



**FIG. 2 FRAME**

REF. NO.	PART NO.	DESCRIPTION	J1KS				REMARKS
1	J1B-F2501-01	FRAME COMP.	1				
2	J1B-F255G-00	MEMBER, SEAT SUPPORT	1				
3	95812-08040	BOLT, FLANGE	2				
4	J0E-F7411-01	FOOTREST 1	1				
5	J0B-F1738-00	BOLT	9				
6	J1B-F258E-00	SUPPORT, FRONT COWL	1				
7	95822-08016	BOLT, FLANGE	2				
8	J1B-F2127-00	SHIM	1				
9	J1C-F252M-01	BRACKET, 3	1				
10	95822-06016	BOLT, FLANGE	2				
11	J1A-F2535-01	STAY, BATTERY 1	2				
12	95822-08016	BOLT, FLANGE	4				
13	JW9-F2417-00	PLUG	2				
14	J1B-K821A-00	PAD, BODY MOUNTING1	2				
15	J1B-K816M-00	SUPPORT, HOLDER	2				
16	95D32-08030	BOLT, FLANGE DEEP RECESS	4				
17	J0B-F125J-00	PIPE, DRAIN	2				
18	90464-70803	CLAMP	2				
19	J1K-K8298-00	PLATE, CAUTION 2	1				UR ENGLISH/FRENCH
	J1K-K8298-10	PLATE, CAUTION 2	1				UR GERMAN/SPANISH

**FIG. 3 FRONT SUSPENSION**

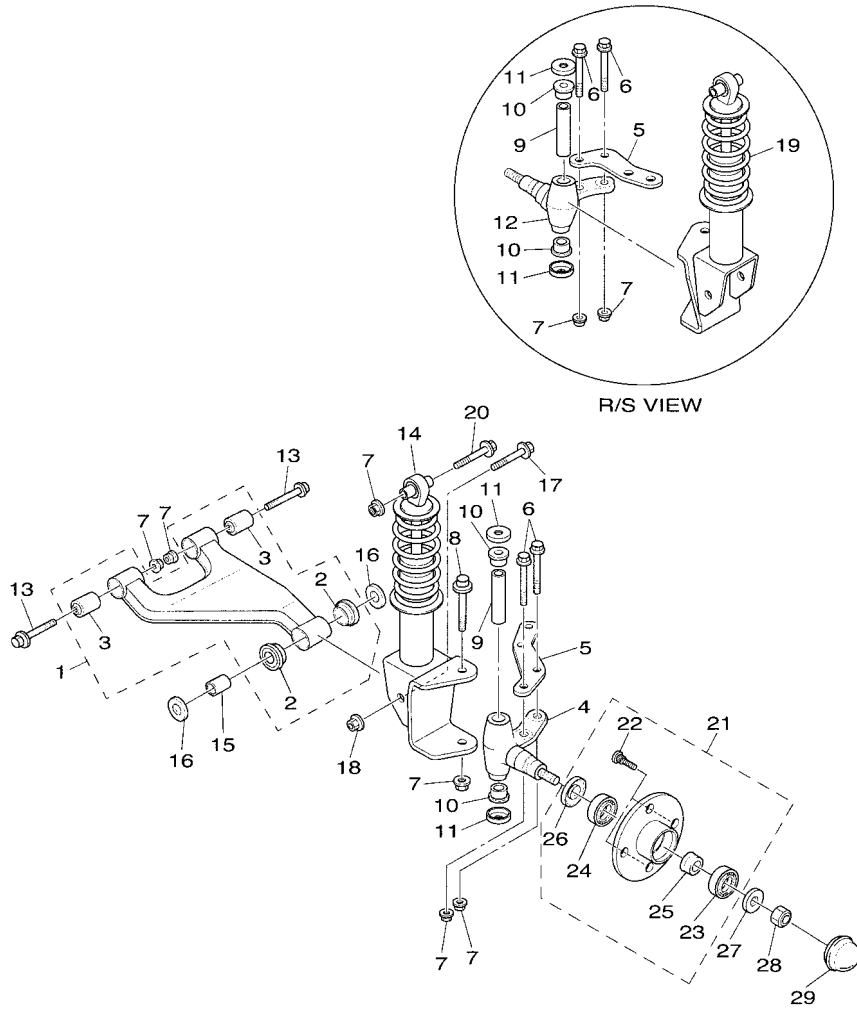


J1B1400-S030

REF. NO.	PART NO.	DESCRIPTION	J/KS				REMARKS
1	JU0-F3570-20	FRONT LOWER ARM COMP.	2				
2	90381-18001	.BUSH, SOLID	2				
3	2HR-23526-00	.BUSH	2				
4	JU0-F3511-10	KNUCKLE, STEERING 1	1				
5	JW1-F3512-00	ARM, KNUCKLE 1	2				
6	90105-10373	BOLT, FLANGE	4				
7	95602-10200	NUT, S/L FLANGE	12				
8	90105-10219	BOLT, FLANGE	2				
9	2NL-23448-00	SPACER	2				
10	90381-17800	BUSH, SOLID	4				
11	2NL-23517-00	COVER, THRUST 1	4				
12	JU0-F3521-10	KNUCKLE, STEERING 2	1				
13	90105-10267	BOLT, FLANGE	4				
14	J0C-F3350-00	SHOCK ABSORBER ASSY	1				
15	90387-12016	COLLAR	2				
16	J1A-F2128-00	COVER, THRUST 1	4				
17	95812-12080	BOLT, FLANGE	2				
18	95612-12100	NUT, U	2				
19	J0C-F3390-00	SHOCK ABSORBER ASSY 2	1				
20	90105-10267	BOLT, FLANGE	2				
21	J1A-F5103-00	HUB BEARING UNIT ASSY	2				
22	90114-12004	.BOLT, SERRATION	4				
23	93306-254Y8	.BEARING	1				
24	93306-005X3	.BEARING	1				
25	90387-21801	.COLLAR	1				
26	93102-30803	.OIL SEAL	1				
27	90209-32271	WASHER	2				

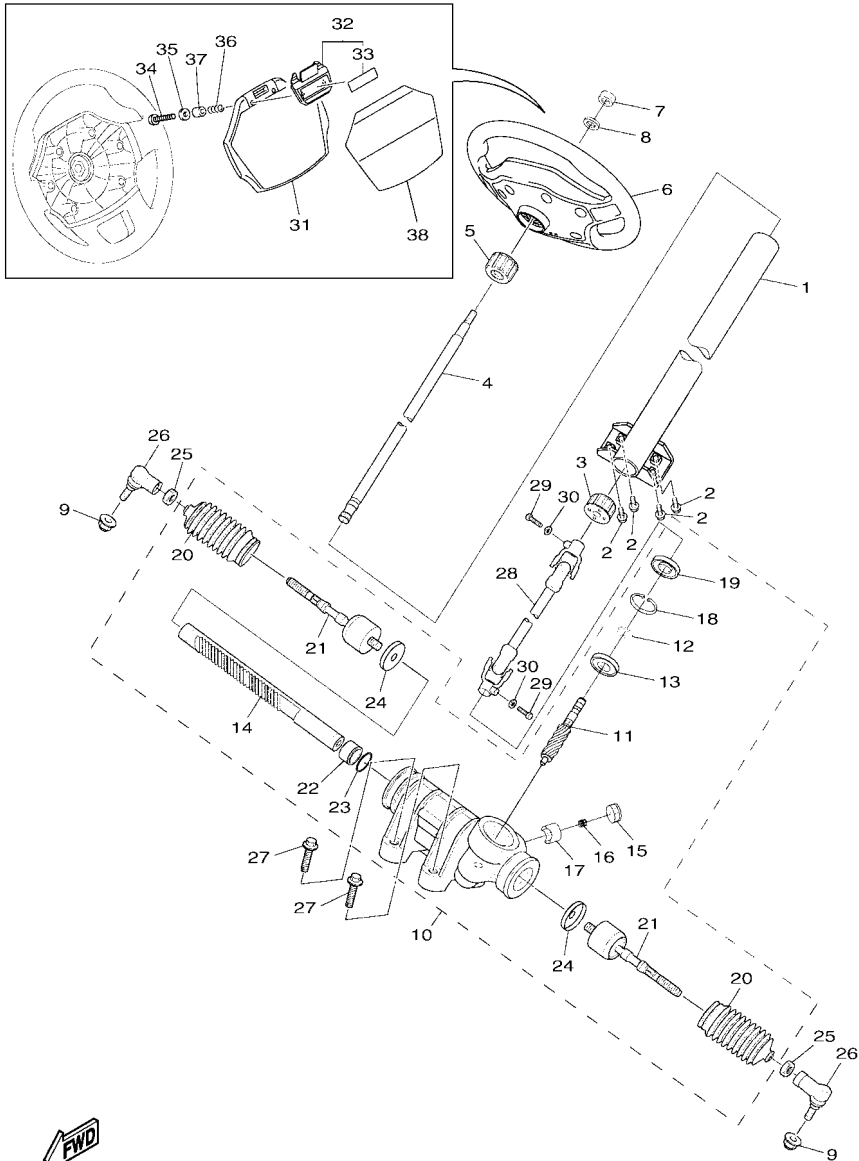


**FIG. 3 FRONT SUSPENSION**



J1B1400-S030

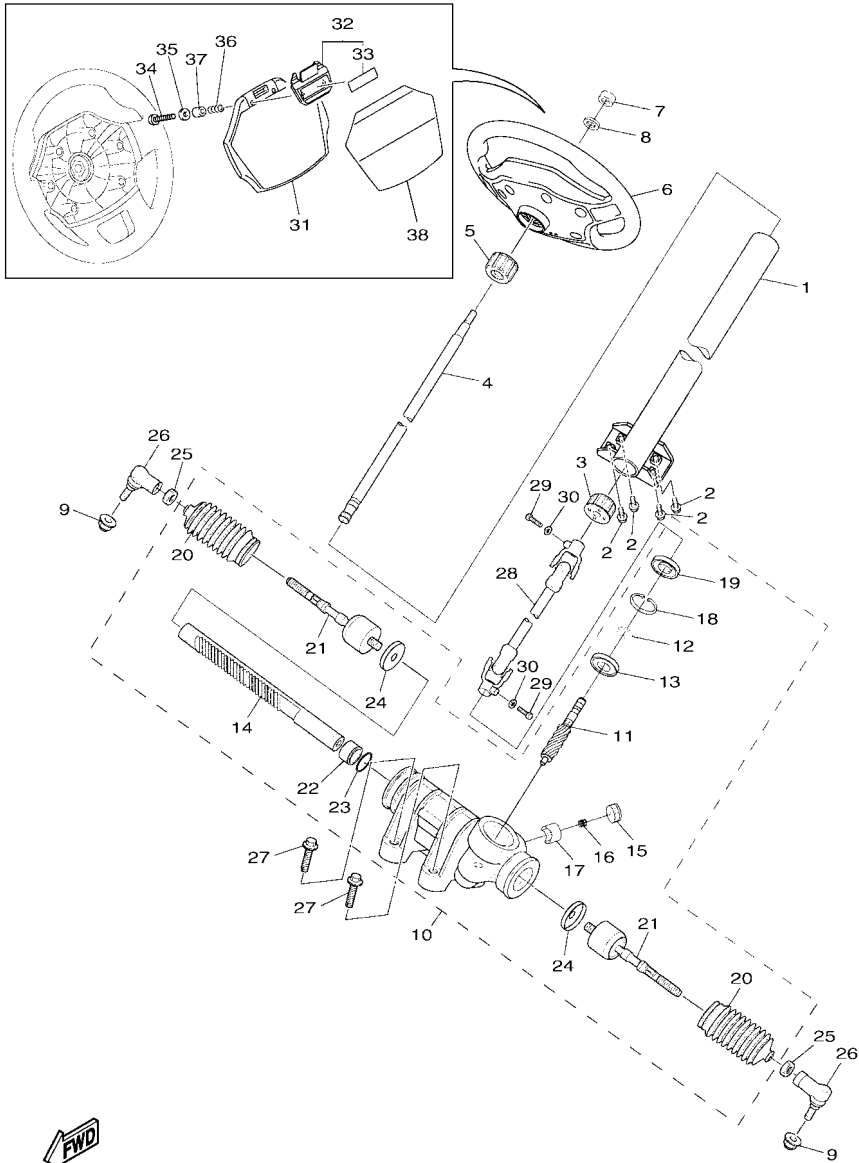
REF. NO.	PART NO.	DESCRIPTION	J1K5				REMARKS
28	95602-14100	NUT, U	2				
29	JN6-F5118-01	COVER, HUB DUST	2				



J1K5100-W040

FIG. 4 STEERING

REF. NO.	PART NO.	DESCRIPTION	J1KS				REMARKS
1	J1A-F3811-00	COLUMN, STEERING	1				
2	95812-08020	BOLT, FLANGE	4				
3	JU0-F3857-20	HOLDER	1				
4	J1A-F3828-00	ROD, STEERING	1				
5	JU0-F3857-20	HOLDER	1				
6	J0A-F3838-00	WHEEL, STEERING	1				
7	90185-12008	NUT, SELF-LOCKING	1				
8	92902-12200	WASHER	1				
9	95602-12200	NUT, SELF-LOCKING	2				
10	J1A-23400-02	STEERING ASSY	1				
11	J1A-2387A-00	.GEAR, PINION	1				
12	JX4-2384N-00	.CLIP, RING	1				
13	JX4-23812-01	.BEARING, STEERING	1				
14	J1A-2387E-00	.GEAR, RACK	1				
15	JR7-2387G-00	.COVER, ADJUST	1				
16	JR7-2387K-00	.SPRING, PRESSURE	1				
17	JR7-2387F-00	.PAD, PRESSURE	1				
18	JR7-2387J-00	.RING, STOPPER	1				
19	JR7-23844-00	.SEAL	1				
20	J1A-23527-01	.SEAL, DUST 1	2				
21	J1A-23837-00	.ROD, TIE 2	2				
22	JR7-2467K-00	.BUSH CAP	1				
23	JR7-23866-00	.RING, SNAP	1				
24	JR7-23894-00	.WASHER, LOCK 1	2				
25	1P0-F3833-00	NUT 1	2				
26	J1A-F3841-00	JOINT, UNIVERSAL 1	2				
27	95812-10040	BOLT, FLANGE	4				

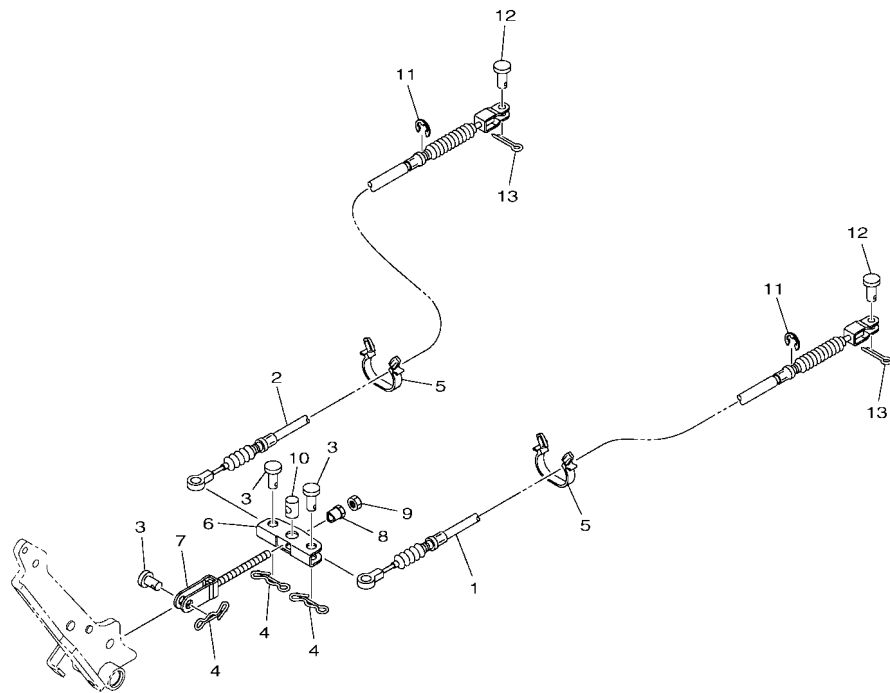


J1K5100-W040

FIG. 4 STEERING

REF. NO.	PART NO.	DESCRIPTION	J1K5				REMARKS
28	J1A-23822-00	JOINT 1	1				
29	97012-08030	BOLT	2				
30	92902-08600	WASHER, PLATE	2				
31	J0B-K8357-00	HOLDER 1	1				
32	J0B-K8358-00	HOLDER 2	1				
<hr/>							
33	J0B-K81A1-00	.EMBLEM 1	1				
34	J0B-K7387-00	SCREW	2				
35	90201-04810	WASHER, PLATE	2				
36	J0B-K7363-00	SPRING	2				
37	J0B-K7115-00	COLLAR	2				
<hr/>							
38	J1K-K7762-10	LABEL, WARNING 2	1				UR ENGLISH/FRENCH
	J1K-K7762-20	LABEL, WARNING 2	1				UR GERMAN/SPANISH
<hr/>							
<hr/>							
<hr/>							
<hr/>							
<hr/>							
<hr/>							

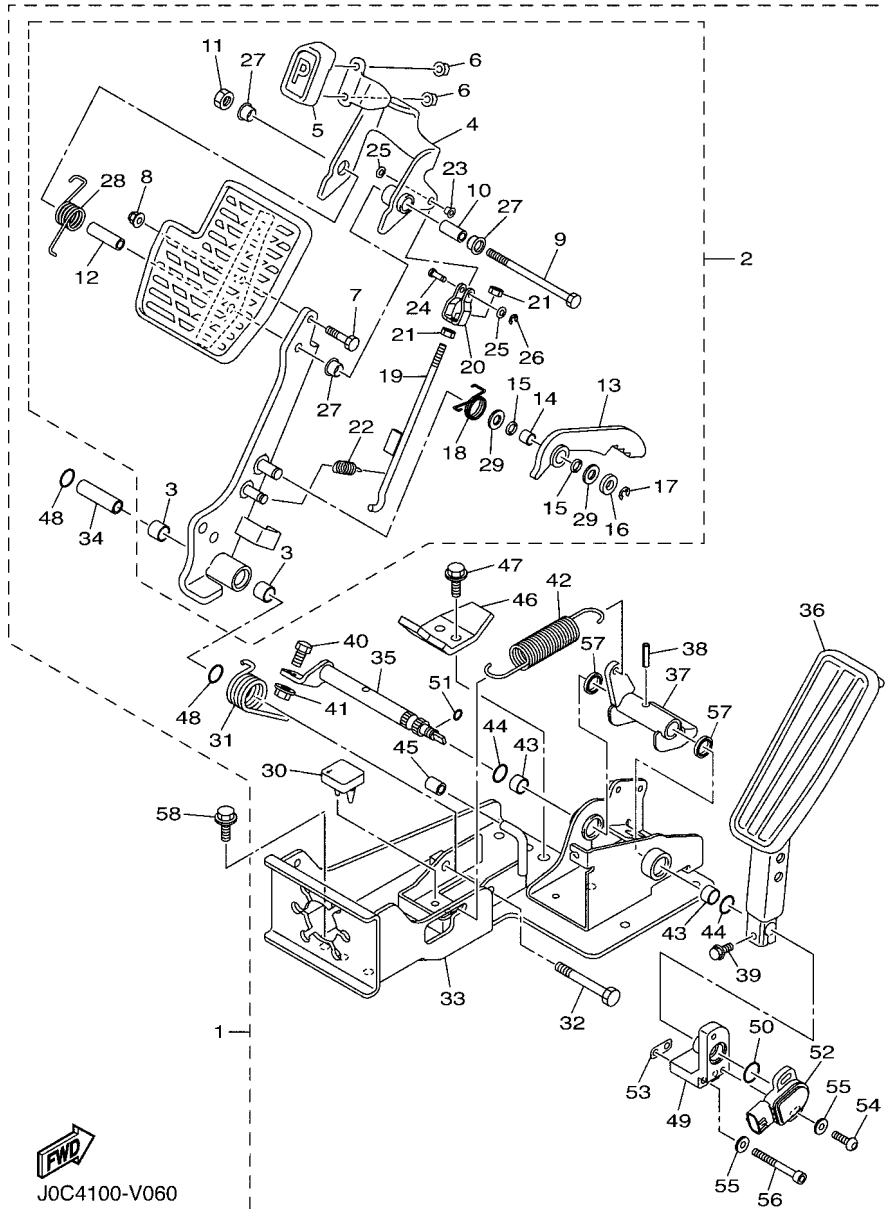
**FIG. 5 PEDAL WIRE**



REF. NO.	PART NO.	DESCRIPTION	J1K5				REMARKS
1	J1B-F6341-00	WIRE, BRAKE 1	1				
2	J1A-F6351-00	CABLE, BRAKE	1				
3	91702-10026	PIN, CLEVIS	3				
4	90468-20196	CLIP	3				
5	90464-24230	CLAMP	4				
6	JW8-F5681-10	EQUALIZER, BRAKE	1				
7	JN6-F5685-01	ROD	1				
8	90179-08261	NUT	1				
9	95307-08700	NUT	1				
10	90249-14129	PIN	1				
11	99002-09600	CIRCLIP	2				
12	91702-08018	PIN, CLEVIS	2				
13	91490-25015	PIN. COTTER	2				



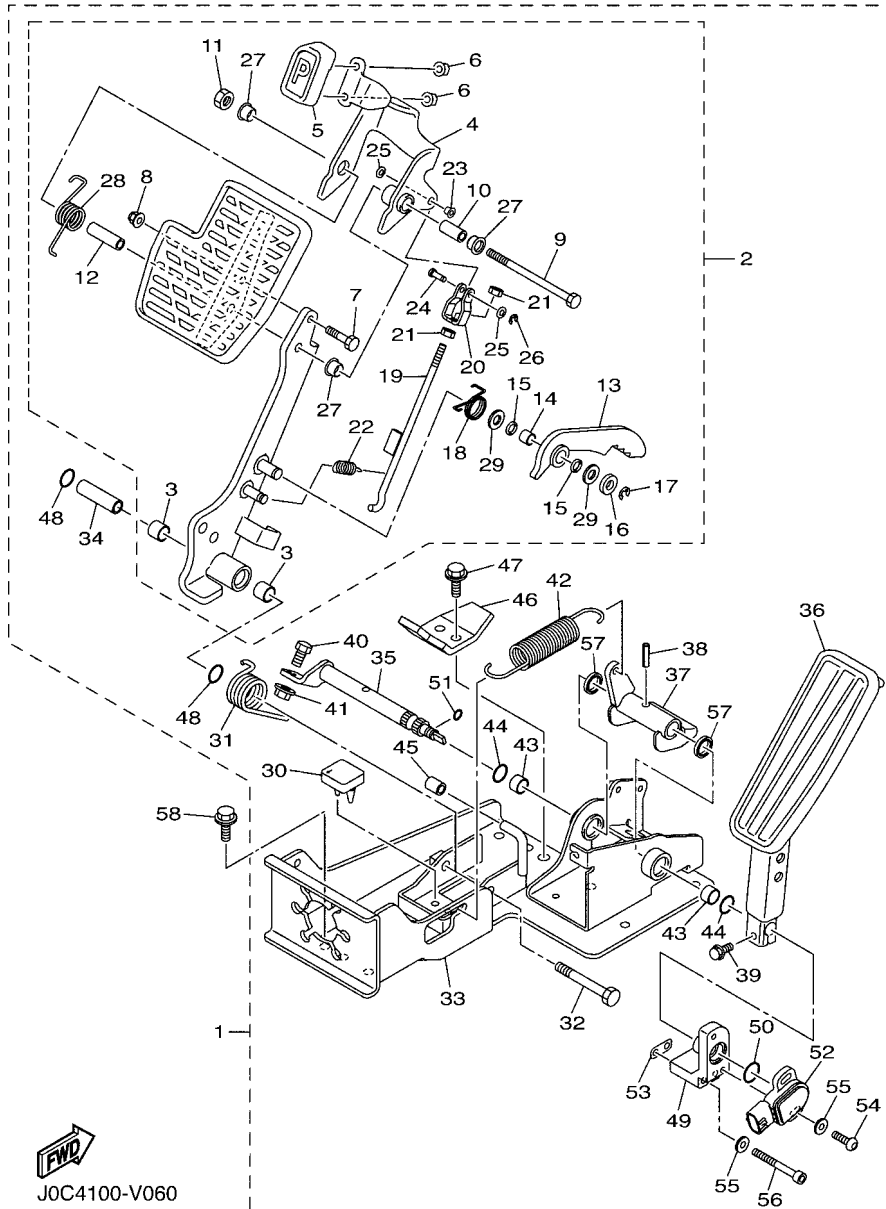
J1K5100-W050



J0C4100-V060

FIG. 6 PEDAL ASSEMBLY

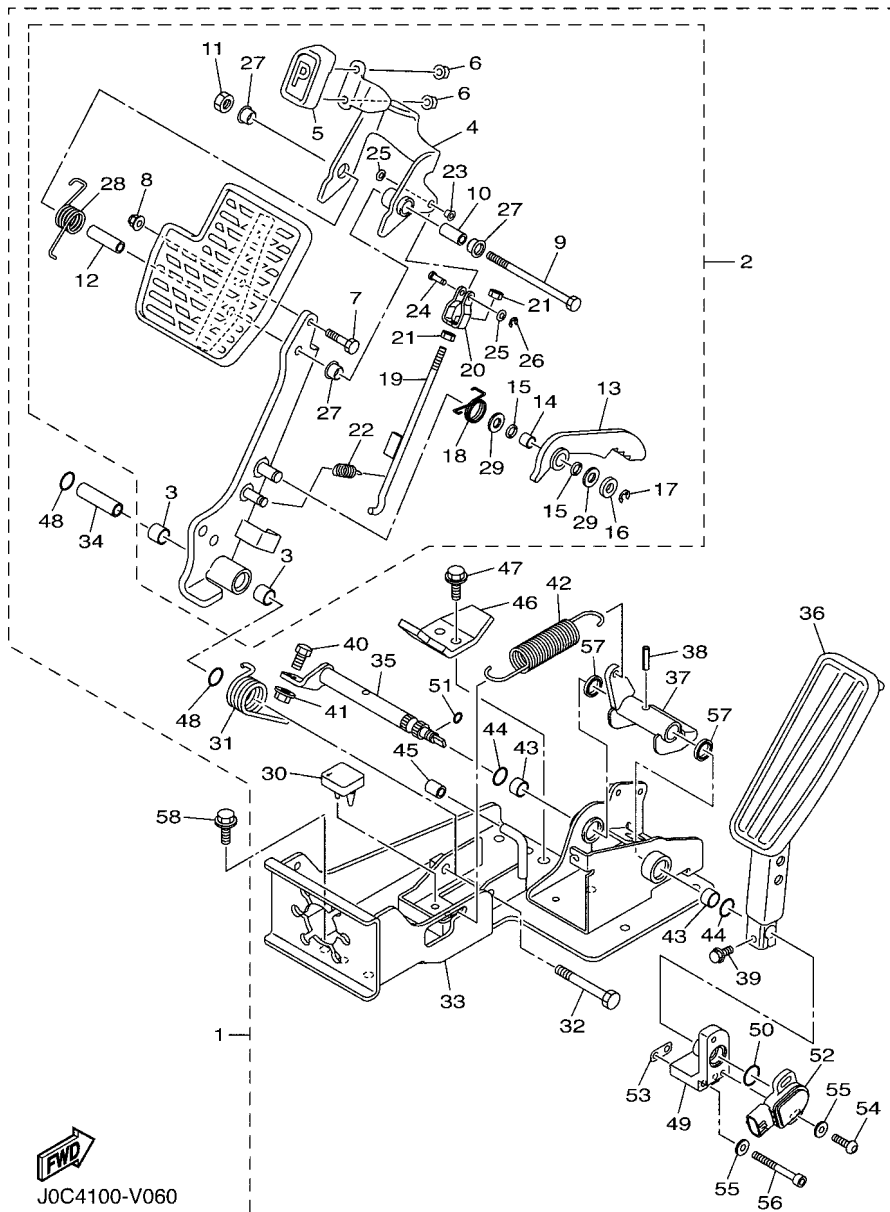
REF. NO.	PART NO.	DESCRIPTION	J/K/S				REMARKS
1	J0H-F7850-20	PEDAL ASSY (L.H)	1				
2	J0G-F7200-02	.PEDAL, BRAKE	1				
3	JW8-F7814-21	.BUSH, PEDAL	2				
4	J0G-F5671-00	..PEDAL, PARKING BRAKE	1				
5	J0G-F7854-00	..COVER, PEDAL	1				
6	95607-06200	..NUT, SELF U-FLANGE	2				
7	97012-06020	..BOLT	1				
8	JW8-F8363-00	..NUT	1				
9	J0G-F7416-00	..BOLT, FOOTREST	1				
10	JW8-F639N-00	..COLLAR	1				
11	J0G-F7218-00	..NUT	1				
12	J0G-F7313-00	..COLLAR	1				
13	JW9-F5666-00	..SECTOR, PARKING BRAKE	1				
14	JW8-F7121-00	..BUSH	1				
15	JW9-F7221-00	..SEAL, SHAFT	2				
16	JW8-F7322-00	..WASHER	1				
17	JW8-F3183-00	..CIRCLIP	1				
18	JW8-F7426-01	..SPRING, RETURN	1				
19	JW9-F7231-10	..ROD, BRAKE	1				
20	JW9-F7232-00	..END, ROD 2	1				
21	JW8-F7318-00	..NUT	2				
22	JW8-F6314-00	..SPRING	1				
23	J0G-F7814-00	..BUSH, PEDAL	1				
24	JW9-F7228-00	..PIN, JOINT	1				
25	JW8-F8323-00	..WASHER, LEG SHIELD	2				
26	JW8-F5415-00	..CIRCLIP	1				
27	90386-12800	..BUSH	3				



J0C4100-V060

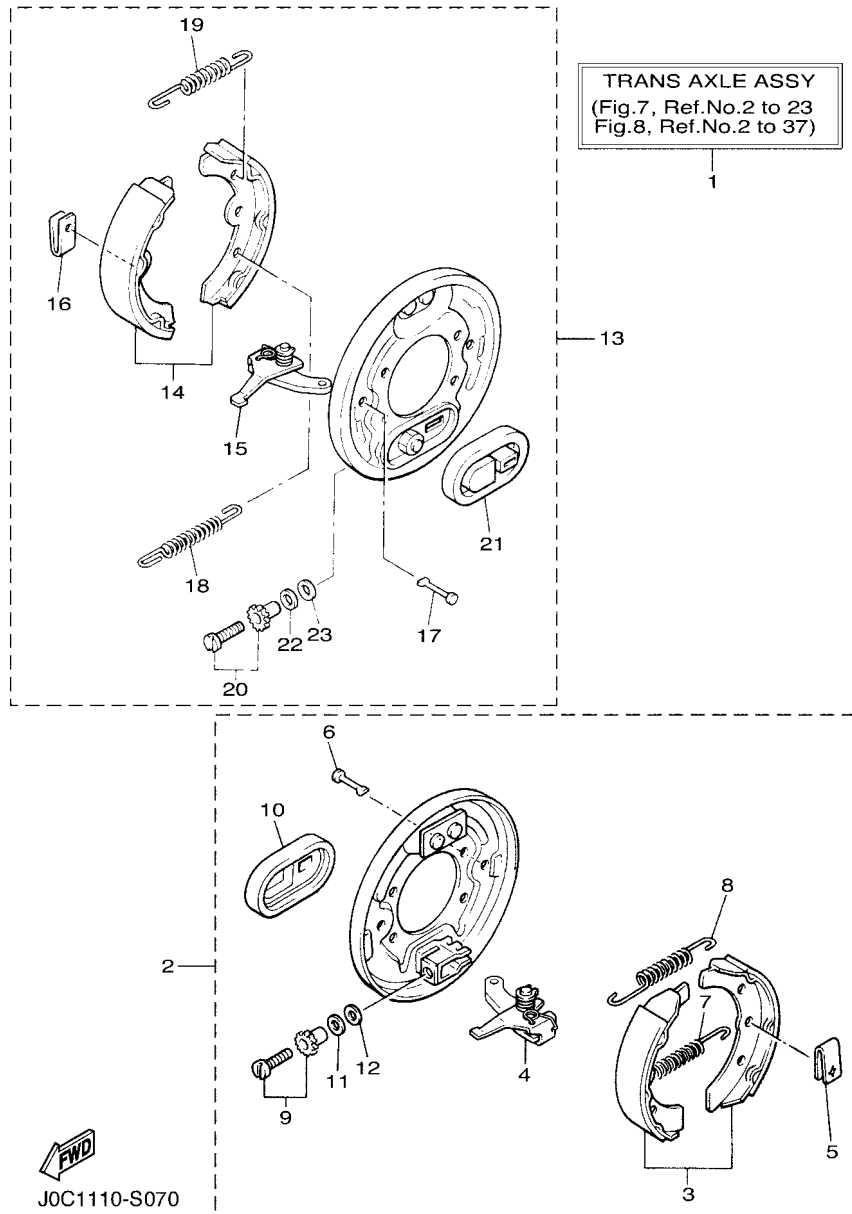
FIG. 6 PEDAL ASSEMBLY

REF. NO.	PART NO.	DESCRIPTION	J/K/S	REMARKS
28	J0G-F7825-00	.SPRING, RETURN	1	
29	JW8-F7119-00	.WASHER	2	
30	JW9-F7245-10	.PAD, BRAKE PEDAL	1	
31	JW8-F7316-01	.SPRING, SIDE STAND	1	
32	JW8-F7217-00	.BOLT	1	
33	J0H-F7445-10	.PLATE 1	1	
34	JW8-F7213-20	.COLLAR	1	
35	J0H-F7853-10	.SHAFT, PEDAL 1	1	
36	J0G-F7871-01	.PEDAL, ACCELERATOR	1	
37	J0H-F7872-00	.ARM, ACCELERATOR PEDAL	1	
38	JW8-F7438-00	.PIN, CLEVIS	1	
39	JW8-F7434-00	.BOLT	1	
40	JW8-F7317-00	.BOLT	1	
41	JW8-F7118-00	.NUT	1	
42	J0G-F815H-10	.SPRING	1	
43	J0G-F5922-00	.WASHER	2	
44	JW8-F4486-00	.O-RING	2	
45	JW9-F5673-00	.DAMPER, BRAKE	1	
46	JW9-F7246-20	.NAIL, BRAKE	1	
47	JW8-F8331-00	.BOLT, LEG SHIELD	2	
48	JW8-F4486-00	.O-RING	2	
49	JW9-F7263-00	.BRACKET 1	1	
50	JW9-F4648-20	.O-RING	1	
51	JW8-F41B8-00	.O-RING	1	
52	JW9-H5885-00	.THROTTLE SENSOR ASSY	1	
53	JW9-F5827-00	.SHIM, CALIPER	1	T: 0.5 MM
	JW9-F5827-10	.SHIM, CALIPER	1	T: 0.9 MM



**FIG. 6 PEDAL ASSEMBLY**

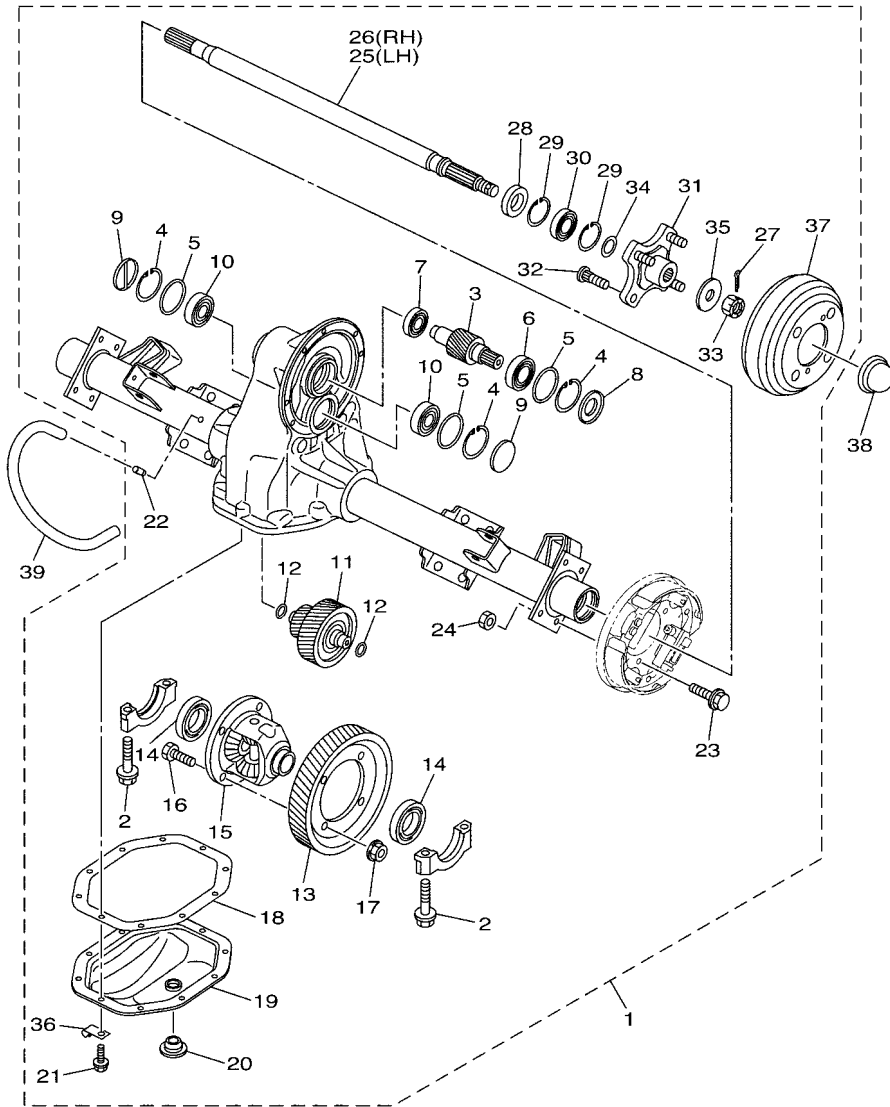
REF. NO.	PART NO.	DESCRIPTION	JIKS				REMARKS
54	JW9-F632G-00	.SCREW	2				
55	90201-05824	.WASHER, PLATE	4				
56	JW8-F7435-00	.BOLT	2				
57	J0G-F3145-00	.OIL SEAL	2				
58	95812-08020	BOLT, FLANGE	6				
-----							
-----							
-----							
-----							
-----							
-----							



**FIG. 7 BRAKE**

REF. NO.	PART NO.	DESCRIPTION	JIKS				REMARKS
1	J0C-G6300-02	TRANS AXLE ASSY	1				
2	JW8-F7290-10	..BACKING PLATE ASSY 2	1				
3	JN9-W2536-11	..BRAKE SHOE SET	1				
4	J38-27205-00	..LEVER ASSY 2	1				
5	JW8-F7281-00	..SPRING, SHOE CLAMP	2				
6	J10-27282-00	..PIN, SHOE HOLD DOWN	2				
7	90506-20281	..SPRING, TENSION	1				
8	90506-14001	..SPRING, TENSION	1				
9	J55-27260-00	..ADJUSTER ASSY	1				
10	JW8-F7286-00	..COVER, DUST	1				
11	90201-121H9	..WASHER, PLATE	1				
12	90201-121H8	..WASHER, PLATE	1				
13	JW8-F7280-10	..BACKING PLATE ASSY 1	1				
14	JN9-W2536-11	..BRAKE SHOE SET	1				
15	J38-27204-00	..LEVER ASSY 1	1				
16	JW8-F7281-00	..SPRING, SHOE CLAMP	2				
17	J10-27282-00	..PIN, SHOE HOLD DOWN	2				
18	90506-20281	..SPRING, TENSION	1				
19	90506-14001	..SPRING, TENSION	1				
20	J55-27270-00	..ADJUSTER ASSY	1				
21	JW8-F7286-00	..COVER, DUST	1				
22	90201-121H9	..WASHER, PLATE	1				
23	90201-121H8	..WASHER, PLATE	1				



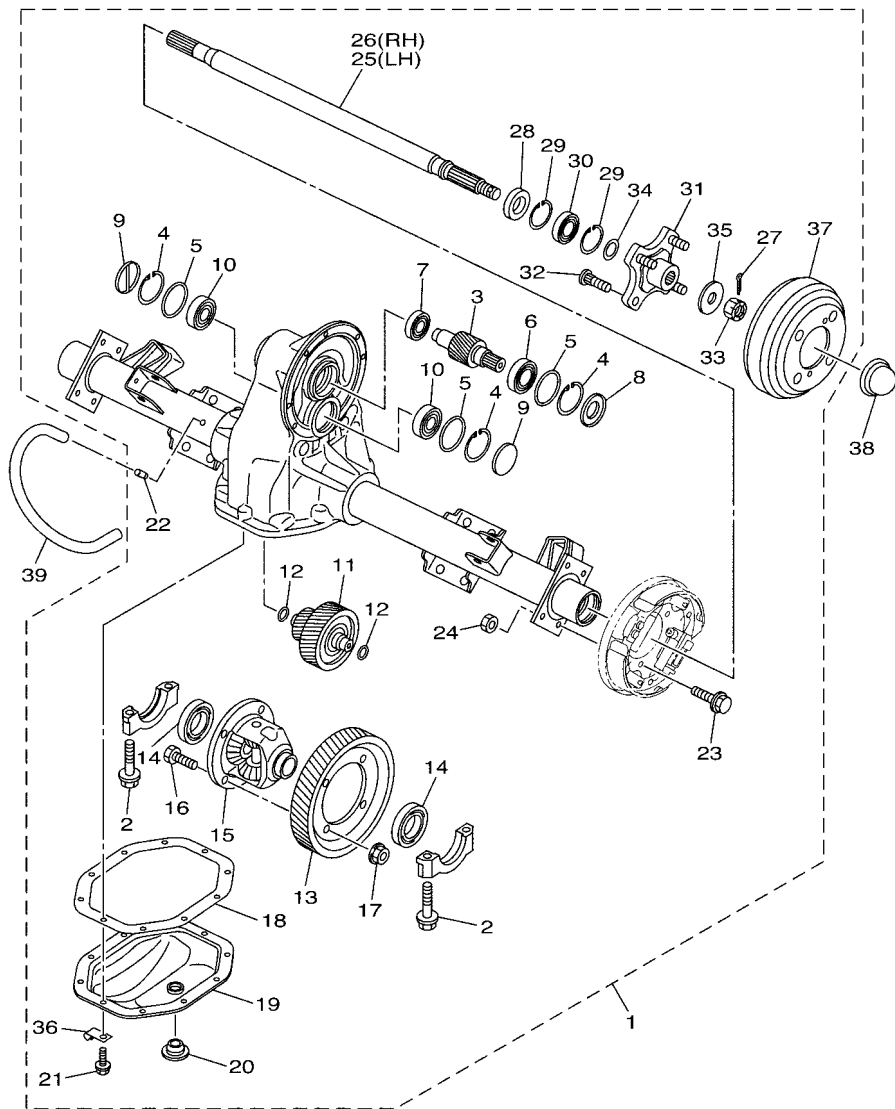


J0C1110-S080

FIG. 8 TRANSAXLE

REF. NO.	PART NO.	DESCRIPTION	J/K/S				REMARKS
1	J0C-G6300-02	TRANS AXLE ASSY	1				
2	90105-10840	.BOLT, FLANGE	4				
3	JW9-G6321-00	.SHAFT, INPUT	1				
4	93420-50804	.CIRCLIP	3				
5	93210-478B8	.O-RING	3				
6	93306-005Y1	.BEARING	1				
7	93306-203X1	.BEARING	1				
8	JW9-G6136-00	.SEAL 1	1				
9	JH7-G3396-01	.PLUG, BLIND	2				
10	93306-303Y6	.BEARING	2				
11	JW9-G6350-00	.COUNTER GEAR ASSY	1				
12	93210-148B9	.O-RING	2				
13	JW9-G6421-00	.GEAR, RING	1				
14	93306-007Y0	.BEARING	2				
15	JW9-G6410-00	.DIFFERENTIAL ASSY.	1				
16	90101-10854	.BOLT	4				
17	90170-10840	.NUT	4				
18	JW9-G631A-00	.GSKT., CASE	1				
19	JW9-G6312-00	.CASE, TRANSMISSION 2	1				
20	JN3-G6432-00	.STOPPER	1				
21	90101-08856	.BOLT	10				
22	JW8-G5378-00	.NIPPLE, HOSE	1				
23	90101-08855	.BOLT	8				
24	90170-08841	.NUT	8				
25	JR1-G6511-00	.SHAFT, REAR AXLE 1 (L.H)	1				
26	JR1-G6512-00	.SHAFT, REAR AXLE 2 (R.H)	1				
27	91490-30030	.PIN. COTTER	2				

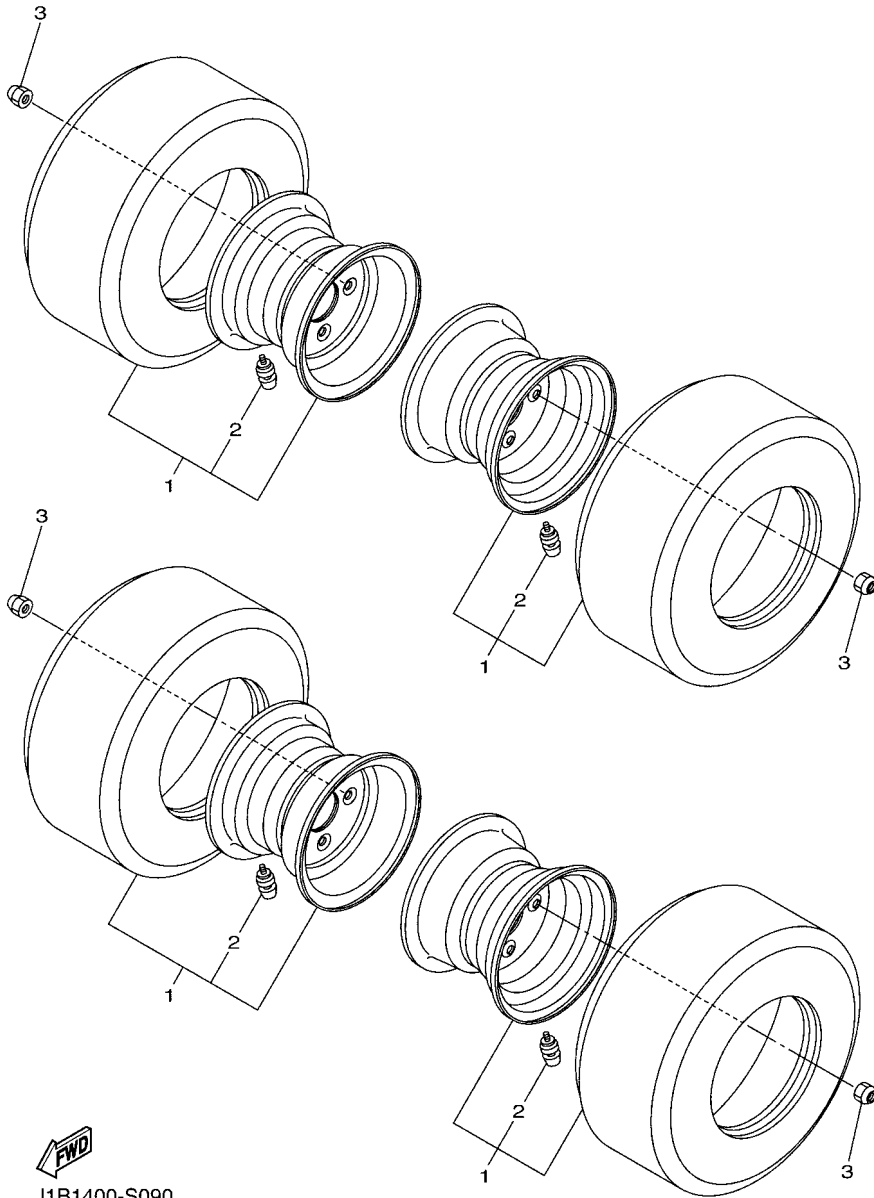
**FIG. 8 TRANSAXLE**



REF. NO.	PART NO.	DESCRIPTION	JTKS				REMARKS
28	93101-24822	.OIL SEAL	2				
29	93420-44805	.CIRCLIP	4				
30	93306-00440	.BEARING	2				
31	JW8-G6514-00	.HUB, REAR AXLE	2				
32	JW8-G4178-00	.BOLT, STUD	8				
33	JW8-G5244-00	.NUT	2				
34	JW8-G2535-00	.WASHER, THRUST	2				
35	JW8-G2536-00	.WASHER, THRUST 2	2				
36	JW8-G2756-00	.STAY, CLAMP	1				
37	JW8-G6521-00	.DRUM	2				
38	JW8-F5118-00	COVER, HUB DUST	2				
39	JW8-G2541-00	PIPE 1	1				



J0C1110-S080

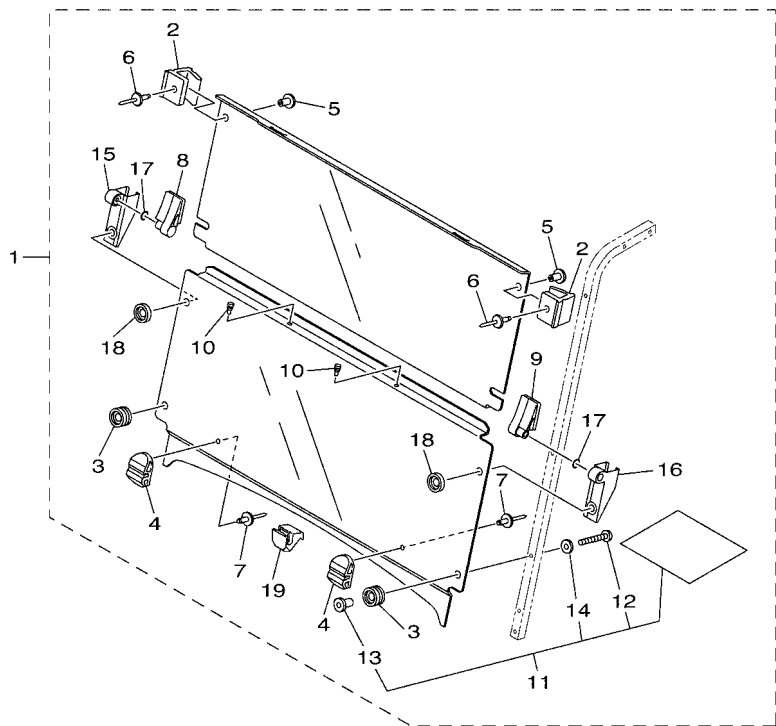


J1B1400-S090

**FIG. 9 WHEEL**

REF. NO.	PART NO.	DESCRIPTION	JKS					REMARKS
1	J1B-F5100-00	WHEEL ASSY (18X8.50-8-4PR)	4					
2	93900-00825	.VALVE, RIM	1					
3	90179-12262	NUT	16					
<hr style="border-top: 1px dashed black;"/>								
<hr style="border-top: 1px dashed black;"/>								
<hr style="border-top: 1px dashed black;"/>								
<hr style="border-top: 1px dashed black;"/>								
<hr style="border-top: 1px dashed black;"/>								
<hr style="border-top: 1px dashed black;"/>								
<hr style="border-top: 1px dashed black;"/>								
<hr style="border-top: 1px dashed black;"/>								
<hr style="border-top: 1px dashed black;"/>								
<hr style="border-top: 1px dashed black;"/>								

**FIG. 10 WINDSHIELD**

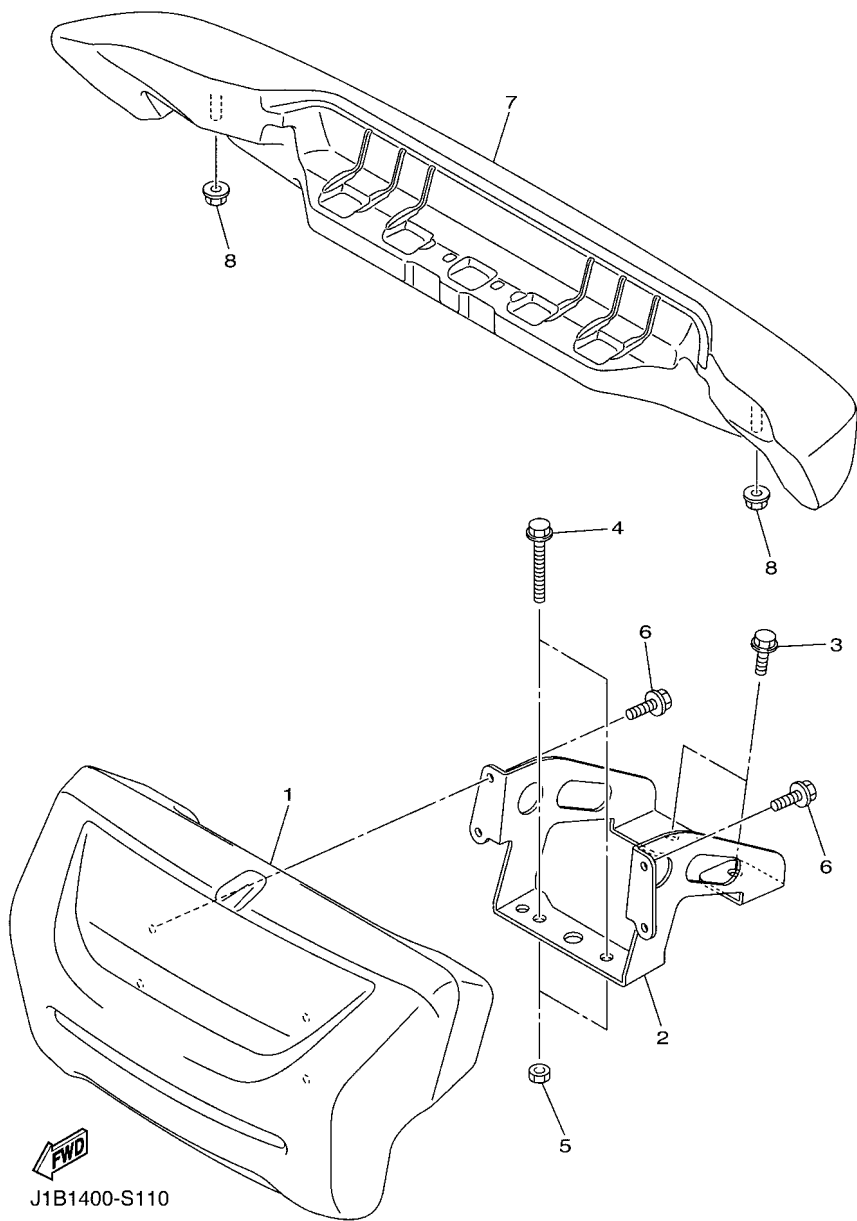


REF. NO.	PART NO.	DESCRIPTION	J/K/S				REMARKS
1	J0B-K7200-24	WINDSHIELD ASSY	1				
2	J0B-K7173-21	.LEVER, LATCH 1	2				
3	J0B-K7237-00	.GROMMET	2				
4	J0B-K7257-20	.GROMMET, W/S 3	2				
5	J0G-K7155-C0	.RIVET 1	2				
6	J0G-K7156-C0	.RIVET 2	2				
7	J0B-K7155-20	.RIVET 1	2				
8	J0B-K7145-20	.HINGE 1	1				
9	J0B-K7146-20	.HINGE 2	1				
10	J0B-K7529-20	.SPACER, BUMPER	2				
11	J0B-K7240-20	.WIND SHIELD HARDWARE KIT 1	1				
12	J0B-K7248-00	..SCREW 1	4				
13	J0B-K7217-00	..NUT, WIND SHIELD	4				
14	J0B-K7218-00	..WASHER 1	4				
15	J0B-K7147-20	.HINGE 3	1				
16	J0B-K7148-20	.HINGE 4	1				
17	J0B-F3147-20	.O-RING	2				
18	J0B-K7247-00	.GROMMET, W/S 2	2				
19	J0B-K838A-20	.RETAINER 1	1				

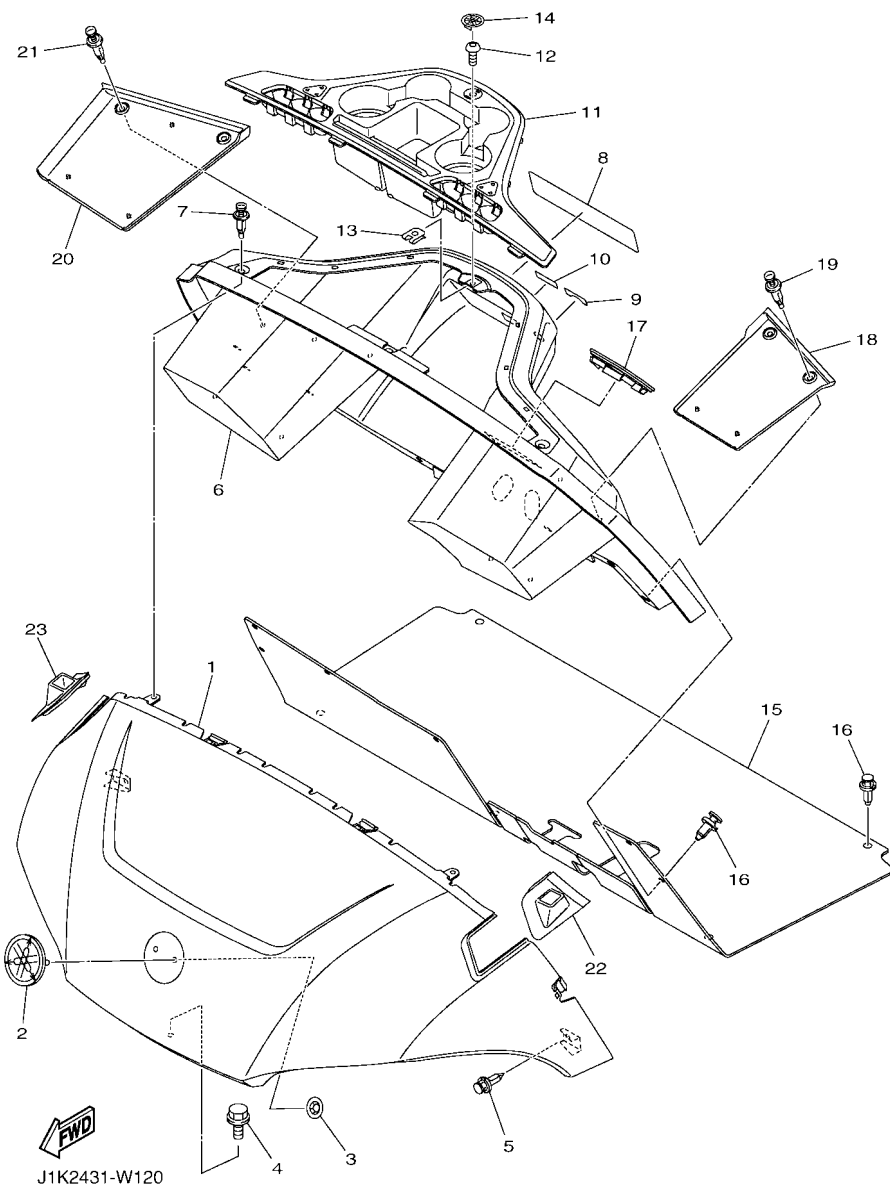


J1B4400-U100

**FIG. 11 BUMPER**

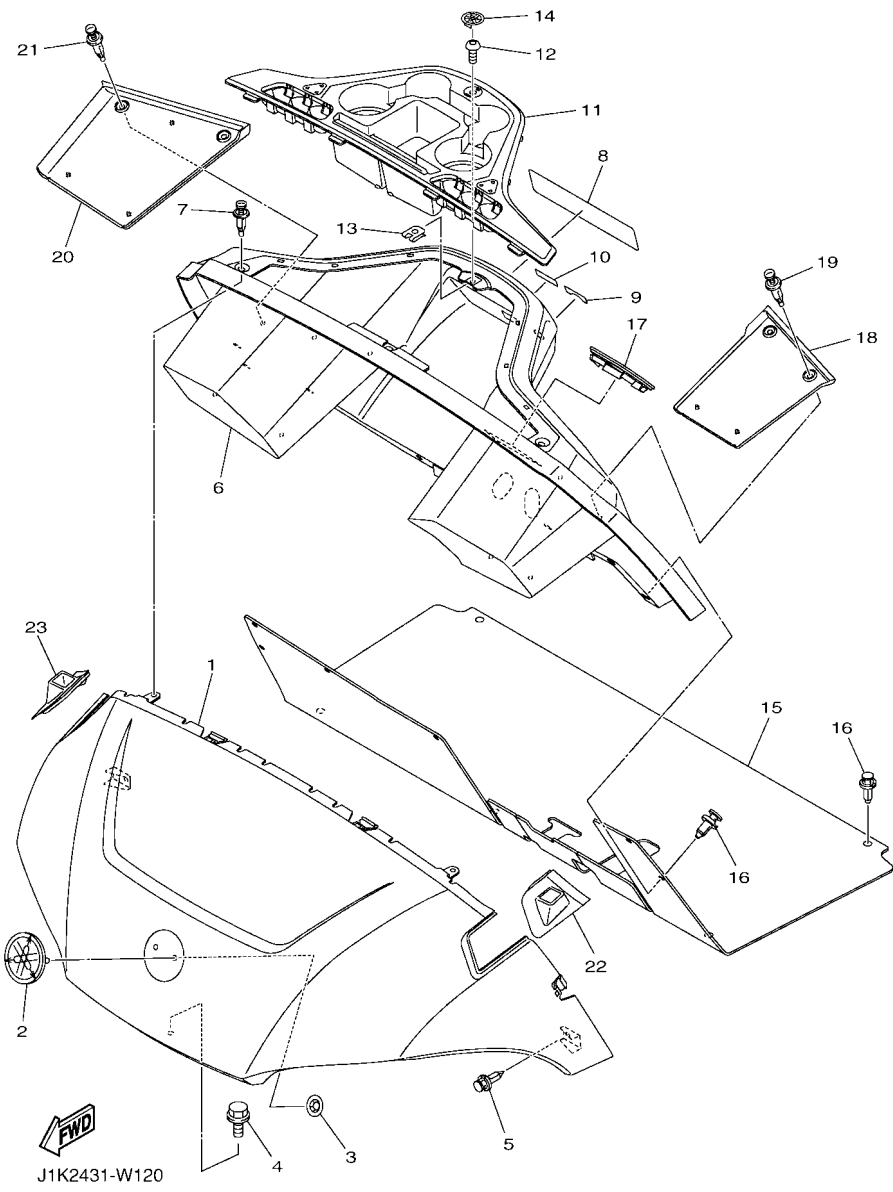


REF. NO.	PART NO.	DESCRIPTION	J1/K5	REMARKS
1	J0B-K7510-01	FRONT BUMPER COMP.	1	
2	J1B-K8164-00	STAY, FRONT BUMPER (L.H)	1	
3	95812-08016	BOLT, FLANGE	2	
4	95D32-08050	BOLT, FLANGE DEEP RECESS	2	
5	95302-08700	NUT, HEXAGON	2	
6	95822-06012	BOLT, FLANGE	4	
7	J0B-K7540-00	REAR BUMPER COMP.	1	
8	95602-10200	NUT, S/L FLANGE	2	



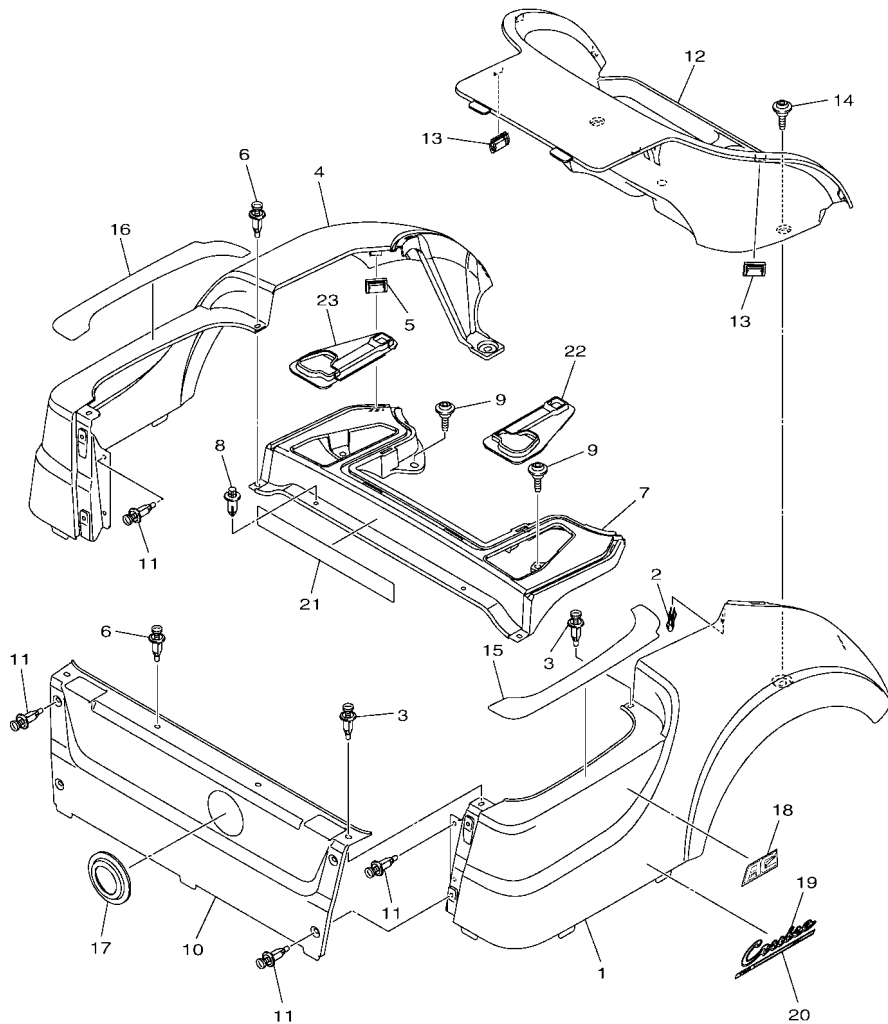
**FIG. 12 BODY**

REF. NO.	PART NO.	DESCRIPTION	J1K5				REMARKS
1	J0B-K8115-A0	COWL, FRONT	1				UR FOR BW1
	J1B-K8115-10	COWL, FRONT	1				UR FOR DRMK
	J1B-K8115-20	COWL, FRONT	1				UR FOR DPBMU
	J1B-K8115-30	COWL, FRONT	1				UR FOR DNGM3
	J1B-K8115-40	COWL, FRONT	1				UR FOR SM1
	J1B-K8115-50	COWL, FRONT	1				UR FOR LYNM9
2	J1B-F4161-00	EMBLEM 1	1				
3	JU0-K7573-00	NUT, SPECIAL	2				
4	95812-06012	BOLT, FLANGE	1				
5	90269-06804	RIVET	2				
6	J0E-K8114-01	PANEL, FRONT	1				
7	90269-08001	RIVET	3				
8	J1B-K7768-10	LABEL, WARNING 8	1				UR ENGLISH
	J1B-K7768-20	LABEL, WARNING 8	1				UR ENGLISH/FRENCH
	J1B-K7768-30	LABEL, WARNING 8	1				UR GERMAN
	J1B-K7768-40	LABEL, WARNING 8	1				UR SPANISH
9	J1B-K8282-00	PLATE, SWITCH PANEL	1				
10	J1B-K7741-00	INDICATOR 1	1				
11	J0B-K835E-00	HOLDER, BEVERAGE	1				
12	90111-05805	BOLT,HEX. SOCKET BUTTON	1				
13	90183-05008	NUT, SPRING	1				
14	J1B-H2370-00	PLUG CAP ASSY	1				
15	J0B-K8233-10	MAT, MAIN FLOOR 3	1				
16	90269-09003	RIVET	12				
17	J1K-K8273-00	COVER, HOLE	1				
18	J1B-K8243-00	MAT, REAR BODY SIDE (LH)	1				
19	90269-07805	RIVET	2				



**FIG. 12 BODY**

REF. NO.	PART NO.	DESCRIPTION	J1K5				REMARKS
20	J1B-K8244-00	MAT, REAR BODY SIDE (RH)	1				
21	90269-07805	RIVET	2				
22	J1B-K832F-00	GROMMET, ROOF SUPPORT 1	1				
23	J1B-K832G-00	GROMMET, ROOF SUPPORT 2	1				
<hr/>							
<hr/>							
<hr/>							
<hr/>							
<hr/>							
<hr/>							
<hr/>							
<hr/>							
<hr/>							
<hr/>							



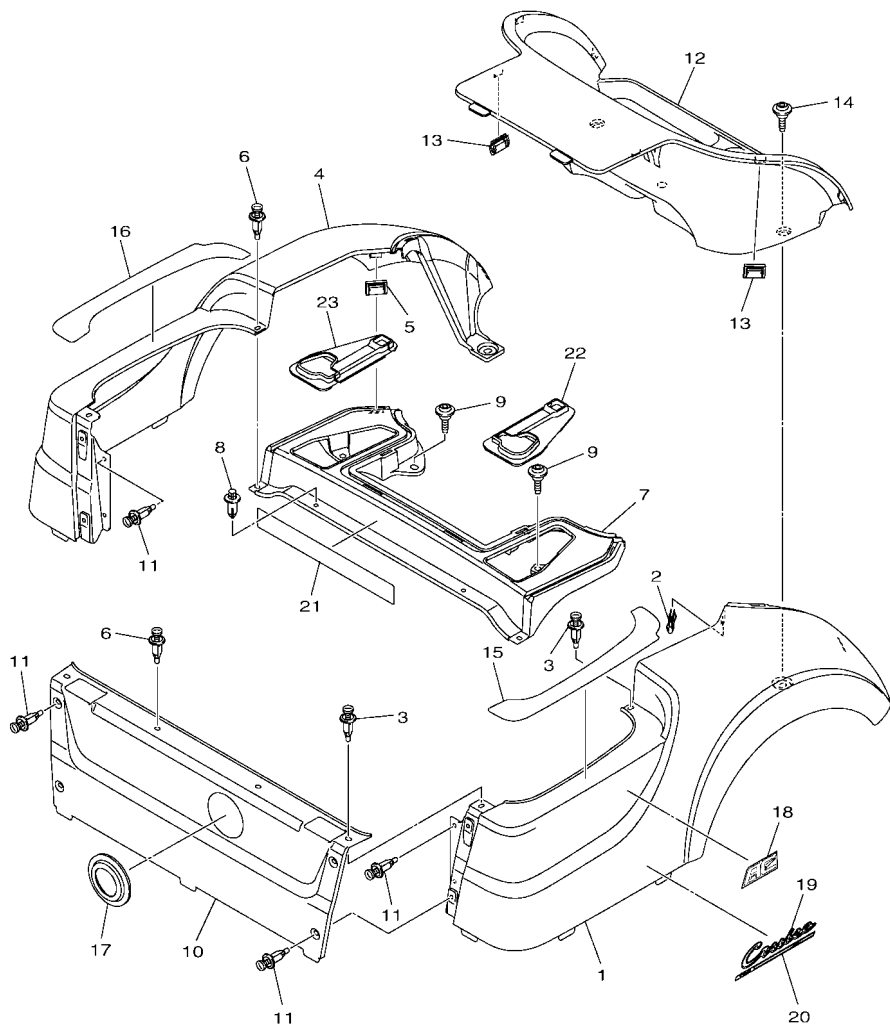
J1K5100-W130

FIG. 13 BODY 2

REF. NO.	PART NO.	DESCRIPTION	J1K5				REMARKS
1	J0B-K8111-A0	PANEL, BODY SHELL	1				UR FOR BW1
	J1B-K8111-10	PANEL, BODY SHELL	1				UR FOR DRMK
	J1B-K8111-20	PANEL, BODY SHELL	1				UR FOR DPBMU
	J1B-K8111-30	PANEL, BODY SHELL	1				UR FOR DNGM3
	J1B-K8111-40	PANEL, BODY SHELL	1				UR FOR SM1
	J1B-K8111-50	PANEL, BODY SHELL	1				UR FOR LYNM9
2	J0B-F3447-00	CLIP	1				
3	90269-07805	RIVET	3				
4	J0B-K8112-A0	PANEL, BODY SHELL	1				UR FOR BW1
	J1B-K8112-10	PANEL, BODY SHELL	1				UR FOR DRMK
	J1B-K8112-20	PANEL, BODY SHELL	1				UR FOR DPBMU
	J1B-K8112-30	PANEL, BODY SHELL	1				UR FOR DNGM3
	J1B-K8112-40	PANEL, BODY SHELL	1				UR FOR SM1
	J1B-K8112-50	PANEL, BODY SHELL	1				UR FOR LYNM9
5	J0B-F3447-00	CLIP	1				
6	90269-07805	RIVET	3				
7	J0B-K819H-00	SHELL, REAR BODY	1				
8	JW7-K7329-00	RIVET	2				
9	J0B-F1738-00	BOLT	4				
10	J1B-K8141-00	PANEL, INTERMEDIATE BODY	1				UR FOR BW1
	J1B-K8141-10	PANEL, INTERMEDIATE BODY	1				UR FOR DRMK
	J1B-K8141-20	PANEL, INTERMEDIATE BODY	1				UR FOR DPBMU
	J1B-K8141-30	PANEL, INTERMEDIATE BODY	1				UR FOR DNGM3
	J1B-K8141-40	PANEL, INTERMEDIATE BODY	1				UR FOR SM1
	J1B-K8141-50	PANEL, INTERMEDIATE BODY	1				UR FOR LYNM9
11	90269-07805	RIVET	8				
12	J0B-K8237-02	COVER, REAR FLOOR	1				FOR 2 BAGS



**FIG. 13 BODY 2**

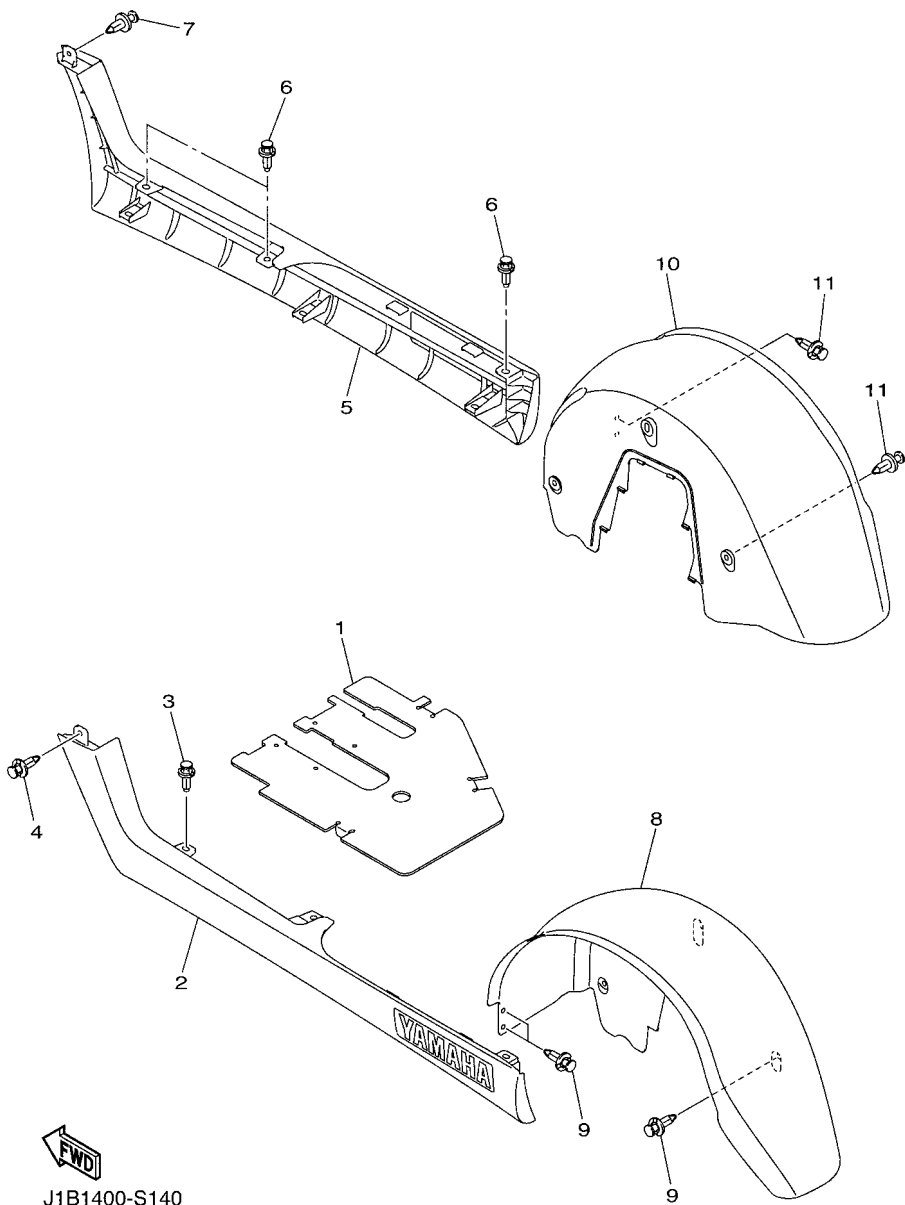


REF. NO.	PART NO.	DESCRIPTION	J1K5				REMARKS
13	J0B-F3447-00	CLIP	4				
14	J0B-F1738-00	BOLT	2				
15	J0B-F2873-01	SEAL 1	1				
16	J0B-F2874-01	SEAL 2	1				
17	J0C-K827A-00	GUIDE 1	1				
18	J1K-F1781-00	EMBLEM 1	2				
19	J1A-K81A1-00	EMBLEM 1	2				
20	J1B-K81B1-00	GRAPHIC 1	2				
21	J1A-K8297-10	PLATE, CAUTION 1	1				UR ENGLISH/FRENCH
	J1A-K8297-20	PLATE, CAUTION 1	1				UR GERMAN/SPANISH
22	J1B-K817H-00	TRIM, SIDE PANEL 1	1				
23	J1B-K817J-00	TRIM, SIDE PANEL 2	1				

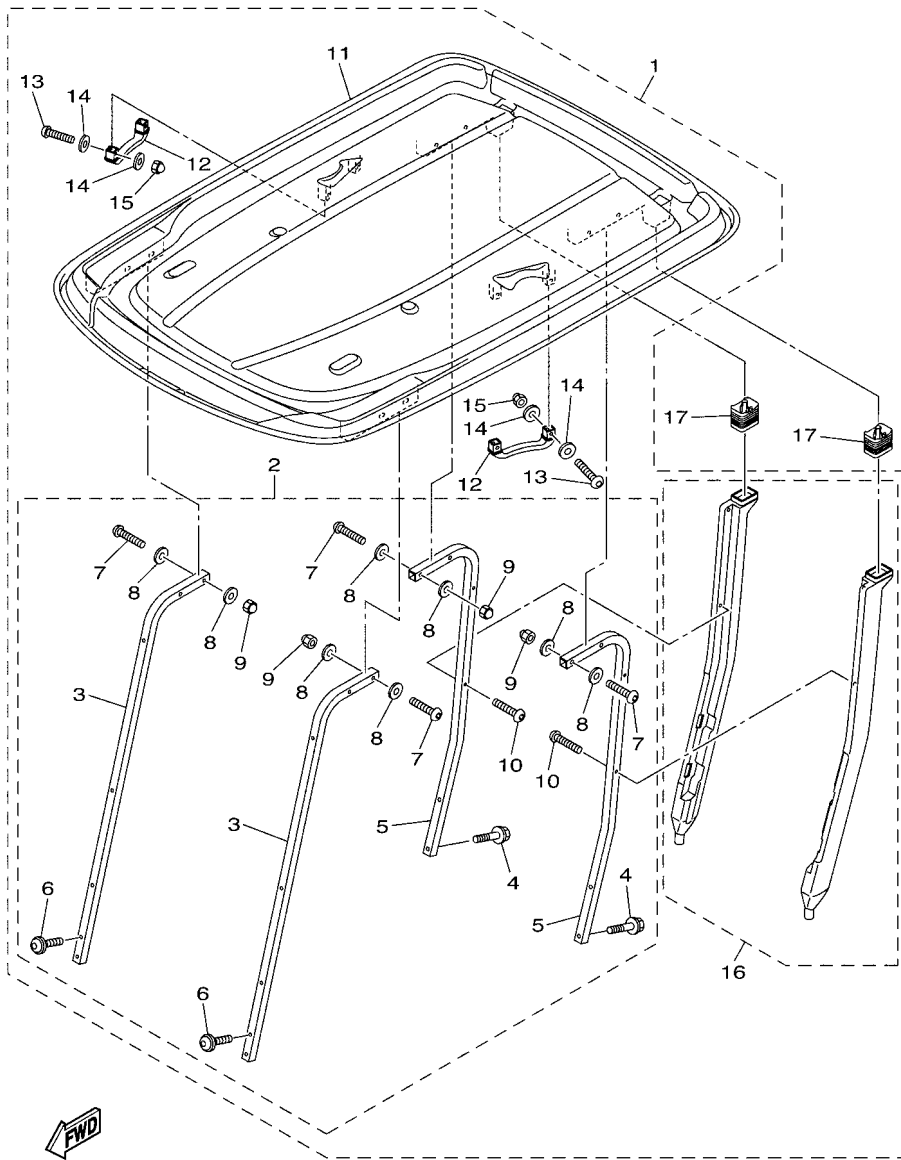


J1K5100-W130

**FIG. 14 BODY FITTING**



REF. NO.	PART NO.	DESCRIPTION	J1K5				REMARKS
1	J1B-K8271-00	SERVICE LID, PEDAL	1				
2	J0B-K818A-00	PROTECTOR, SIDE PLATE	1				
3	90269-09003	RIVET	3				
4	90269-06804	RIVET	1				
5	J0B-K818B-00	PROTECTOR, SIDE PLATE 2	1				
6	90269-09003	RIVET	3				
7	90269-06804	RIVET	1				
8	J0B-K8191-00	PANEL, REAR FENDER 1	1				
9	90269-06804	RIVET	5				
10	J0B-K8192-00	PANEL, REAR FENDER 2	1				
11	90269-06804	RIVET	5				

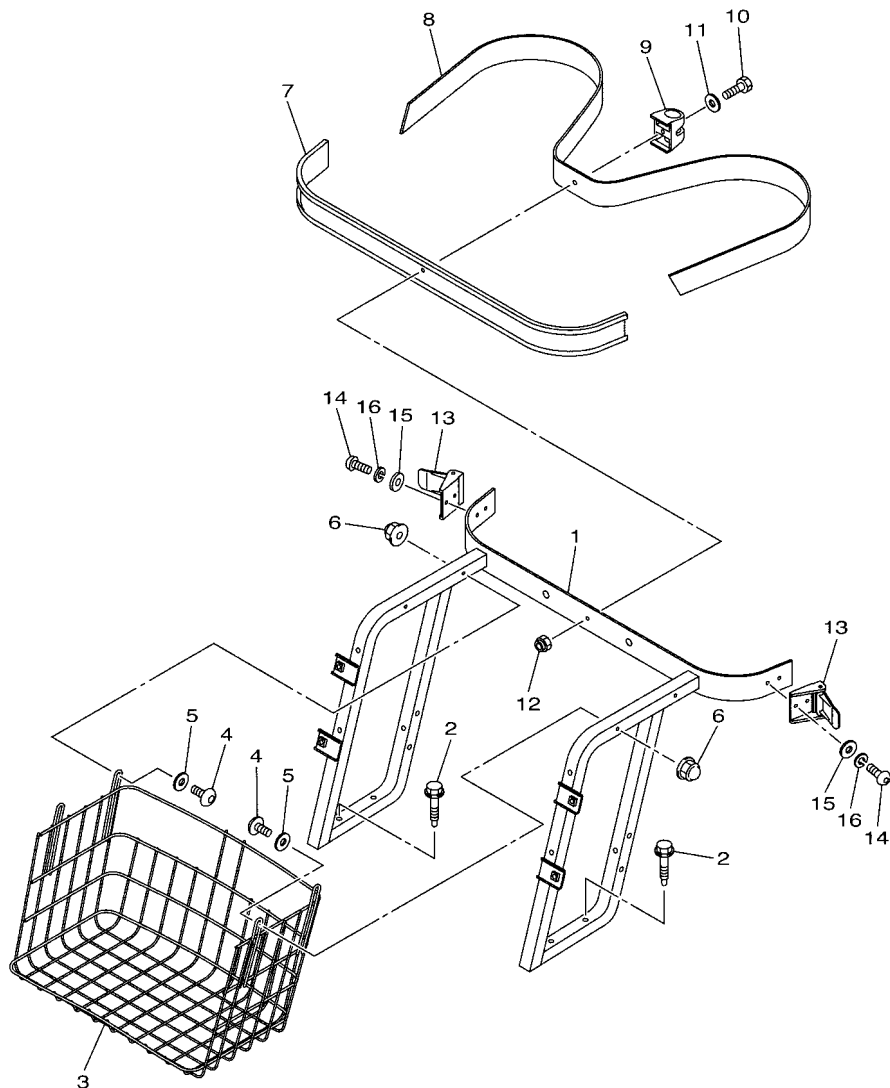


J1B1400-S151

FIG. 15 SUN ROOF

REF. NO.	PART NO.	DESCRIPTION	JTKS				REMARKS
1	J0B-K84A0-00	SUN TOP KIT	1				
2	J0B-K84A2-00	.HARDWARE KIT, SUN TOP	1				
3	J0B-K8312-00	..SUPPORT, SUN ROOF 1	2				
4	JW1-K8388-00	..BOLT, ROOF 1	4				
5	JW1-K8313-01	..SUPPORT, SUN ROOF 2	2				
6	J0B-K8388-00	..BOLT, ROOF 1	4				
7	JU0-K8388-00	..BOLT, ROOF 1	8				
8	JW1-F1549-01	..WASHER, FENDER MOLD	16				
9	JU0-K8398-00	..NUT, ROOF 1	8				
10	JW1-K7387-00	..SCREW	4				
11	JW1-K8314-10	..COVER, SUN ROOF	1				
12	JW1-K8214-00	..GRIP, HAND	2				
13	JU0-K8388-00	..BOLT, ROOF 1	4				
14	JW1-F1549-01	..WASHER, FENDER MOLD	8				
15	JU0-K8398-00	..NUT, ROOF 1	4				
16	J0B-F417A-00	..DRAIN TUBE ASSY	1				
17	JW1-F414G-10	SEAL	2				

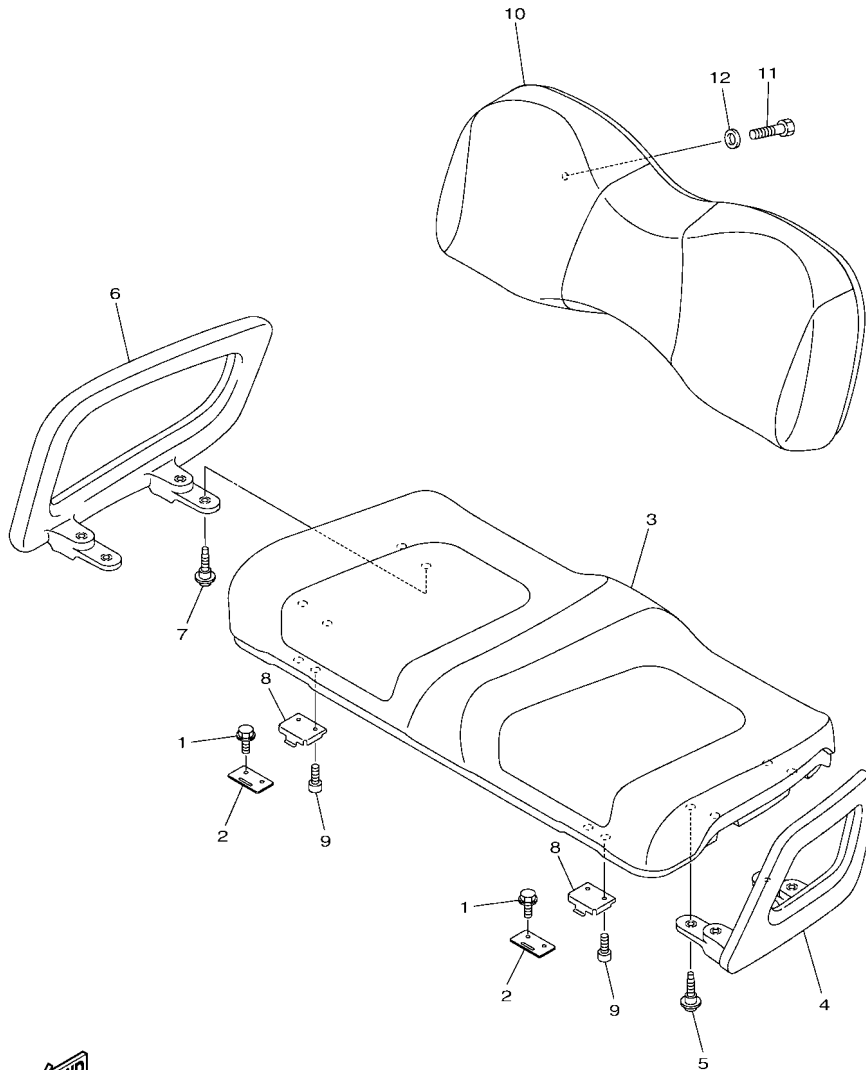
**FIG. 16 CARRIER**



J1B1400-S160

REF. NO.	PART NO.	DESCRIPTION	J1K5				REMARKS
1	J1B-K8423-00	SUPPORT, SEAT BACK	1				
2	90109-08178	BOLT	4				
3	JW1-K8340-00	LUGGAGE RACK ASSY., REAR	1				
4	92017-06040	BOLT, BUTTON HEAD	4				
5	90201-06020	WASHER, PLATE	4				
6	90176-06008	NUT, CROWN	4				
7	JF2-K8356-00	PAD, BAG SUPPORT	1				
8	J1K-K8355-00	BAND	1				
9	JW1-K834G-00	HOLDER, RAKE SAND	1				
10	97080-06020	BOLT	1				
11	92990-06200	WASHER, PLAIN	1				
12	95680-06100	NUT, U	1				
13	JN6-K8380-00	LOCK ASSY	2				
14	98580-06010	SCREW, PAN HEAD	4				
15	92990-06200	WASHER, PLAIN	4				
16	92990-06100	WASHER, SPRING	4				

**FIG. 17 SEAT**

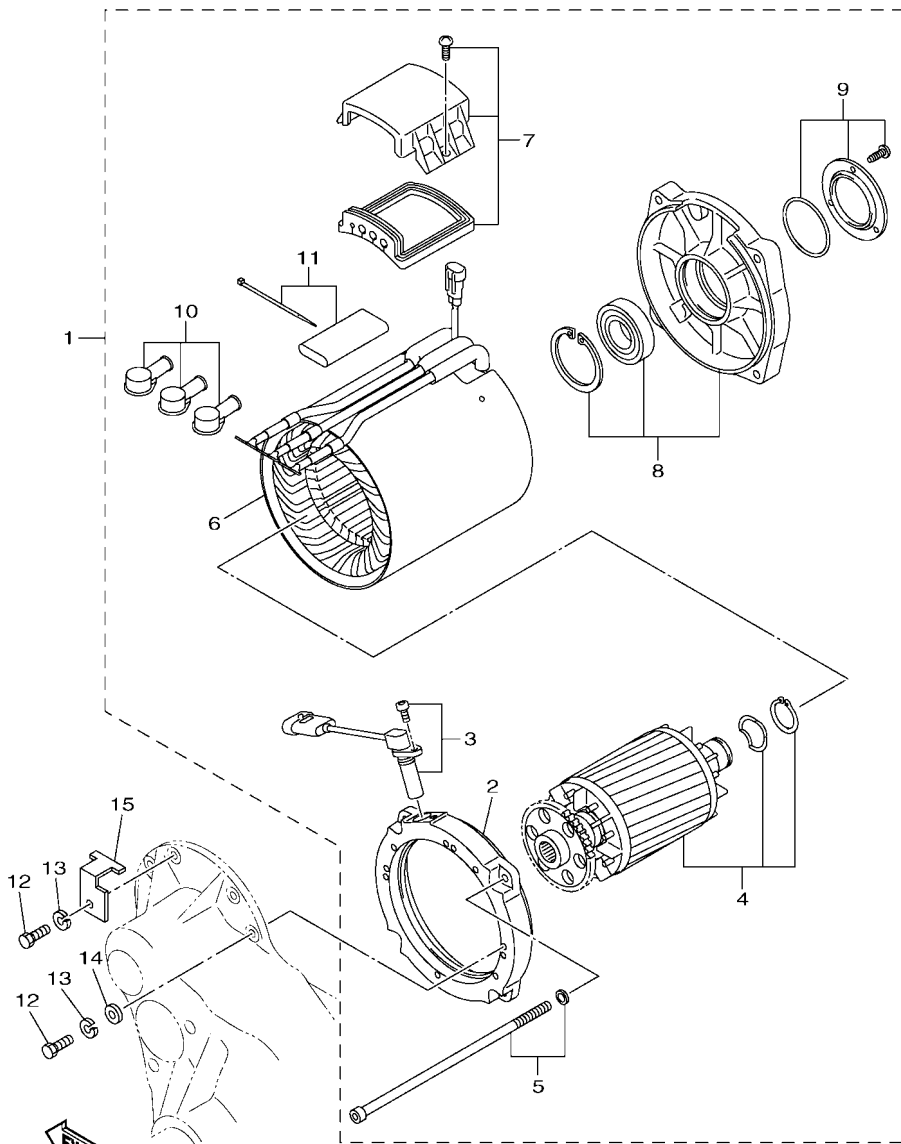


REF. NO.	PART NO.	DESCRIPTION	J1K5				REMARKS
1	95802-06040	BOLT, FLANGE	4				
2	J1A-K8427-00	HINGE, SEAT 2	2				
3	J0A-K8401-10	SEAT SUB-ASSY,CUSHION	1				
4	J0B-K8361-00	ARM REST 1	1				
5	J0B-F1738-00	BOLT	4				
6	J0B-K8362-00	ARM REST 2	1				
7	J0B-F1738-00	BOLT	4				
8	J1B-K8426-00	HINGE, SEAT 1	2				
9	90110-06125	BOLT, HEXAGON SOCKET HEAD	4				
10	JW1-K8402-10	SEAT SUB ASSY, BACK	1				
11	97080-06040	BOLT	4				
12	92900-06600	WASHER	4				



J1K2431-W170

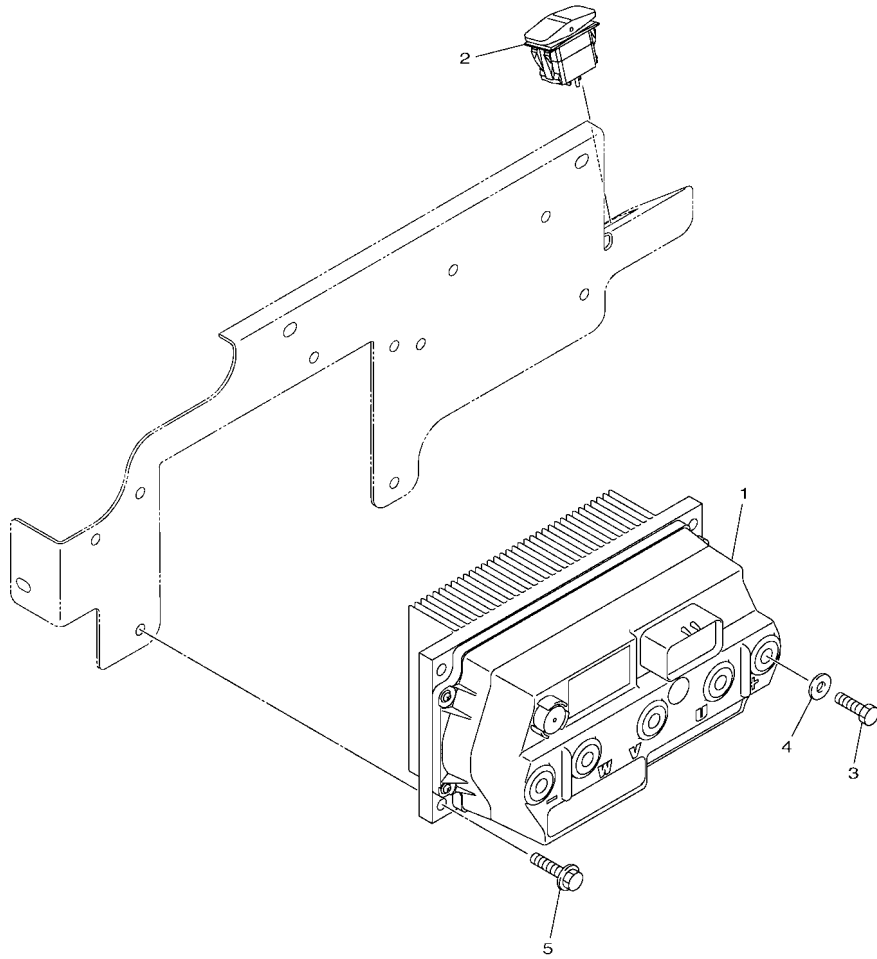
**FIG. 18 ELECTRIC MOTOR**



J0J5100-W160

REF. NO.	PART NO.	DESCRIPTION	J1K5				REMARKS
1	J0J-H1890-00	MOTOR ASSY	1				
2	JW3-H183J-00	.BRACKET, FRONT	1				
3	JW3-H3756-00	.SENSOR, UNIT	1				
4	J0J-H1155-00	.ARMATURE	1				
5	J0J-H2379-00	.SCREW, UNIT	1				
6	J0J-H1117-00	.STATOR	1				
7	J0J-H165G-00	.PLTE, TERMINAL	1				
8	JW3-H182J-00	.BRACKET COMPLETE	1				
9	JW3-H1869-00	.COVER, DUST	1				
10	J0J-H183X-00	.CAP, TERMINAL	1				
11	J0J-H5588-00	.SLEEVE	1				
12	95812-06025	BOLT, FLANGE	3				
13	92990-06100	WASHER, SPRING	3				
14	90201-068E2	WASHER, PLATE	2				
15	J1A-H218E-00	RELIEF, STRAIN 1	1				

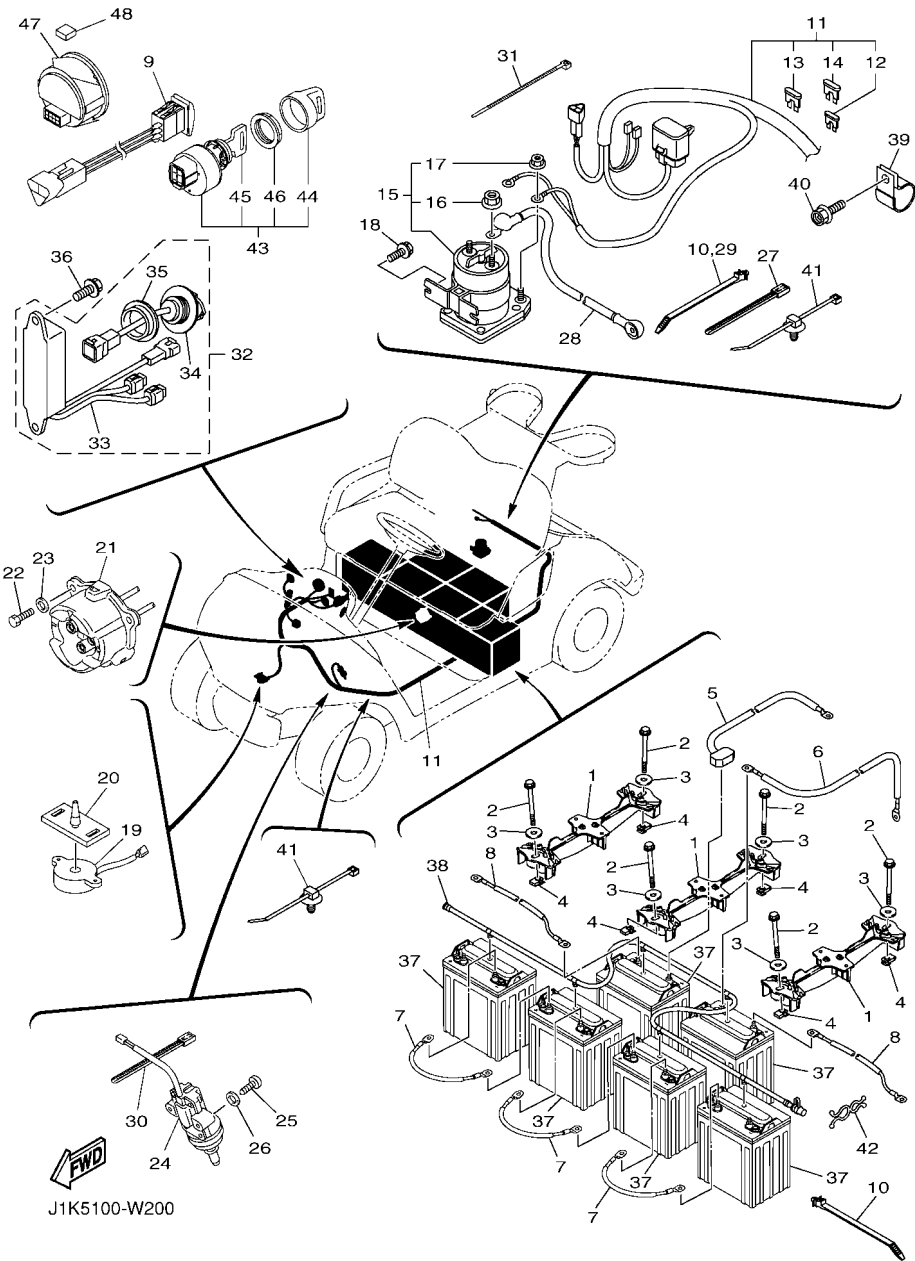
**FIG. 19 CONTROLLER 1**



REF. NO.	PART NO.	DESCRIPTION	J1K5				REMARKS
1	J0J-H6510-00	MOTOR CONTROL UNIT ASSY	1				
2	JW2-H2727-00	SWITCH	1				
3	97027-08016	BOLT, HEXAGON	5				
4	92907-08600	WASHER, PLATE	5				
5	95D02-06025	BOLT, FLANGE DEEP RECESS	4				



J0E5110-W190



**FIG. 20 ELECTRICAL 1**

REF. NO.	PART NO.	DESCRIPTION	J1KS				REMARKS
1	JW9-H2136-00	PLATE, BATTERY FITTING	3				
2	JW9-H1892-00	BOLT, SPECIAL	6				
3	90201-08310	WASHER, PLATE	6				
4	JW9-K811K-00	NUT, TRIM FITTING	6				
5	J1K-H2115-00	WIRE, PLUS LEAD	1				
6	J1K-H2116-00	WIRE, MINUS LEAD	1				
7	JW9-H2127-00	WIRE, LEAD 2	3				
8	JW9-H2149-00	WIRE, LEAD 3	2				
9	JU2-H2917-00	SWITCH	1				
10	90464-20005	CLAMP	3				
11	J1K-H2590-00	WIRE HARNESS ASSY	1				
12	J0J-H554E-50	.FUSE (5A)	1				
13	J0J-H554E-30	.FUSE (3A)	1				
14	J0J-H554E-10	.FUSE (1A)	1				
15	JU6-H1950-00	RELAY ASSY	1				
16	90179-08887	.NUT	2				
17	90179-05886	.NUT	2				
18	95822-06012	BOLT, FLANGE	2				
19	JR1-H3383-02	BUZZER	1				
20	J1J-H3386-00	STAY, BUZZER	1				
21	JW9-H6181-10	RECEPTACLE	1				
22	97002-05016	BOLT	3				
23	92902-05600	WASHER, PLATE	3				
24	JF7-82817-22	SWITCH	1				
25	98502-05025	SCREW, PAN HEAD	2				
26	92902-05600	WASHER, PLATE	2				
27	90464-32804	CLAMP	2				



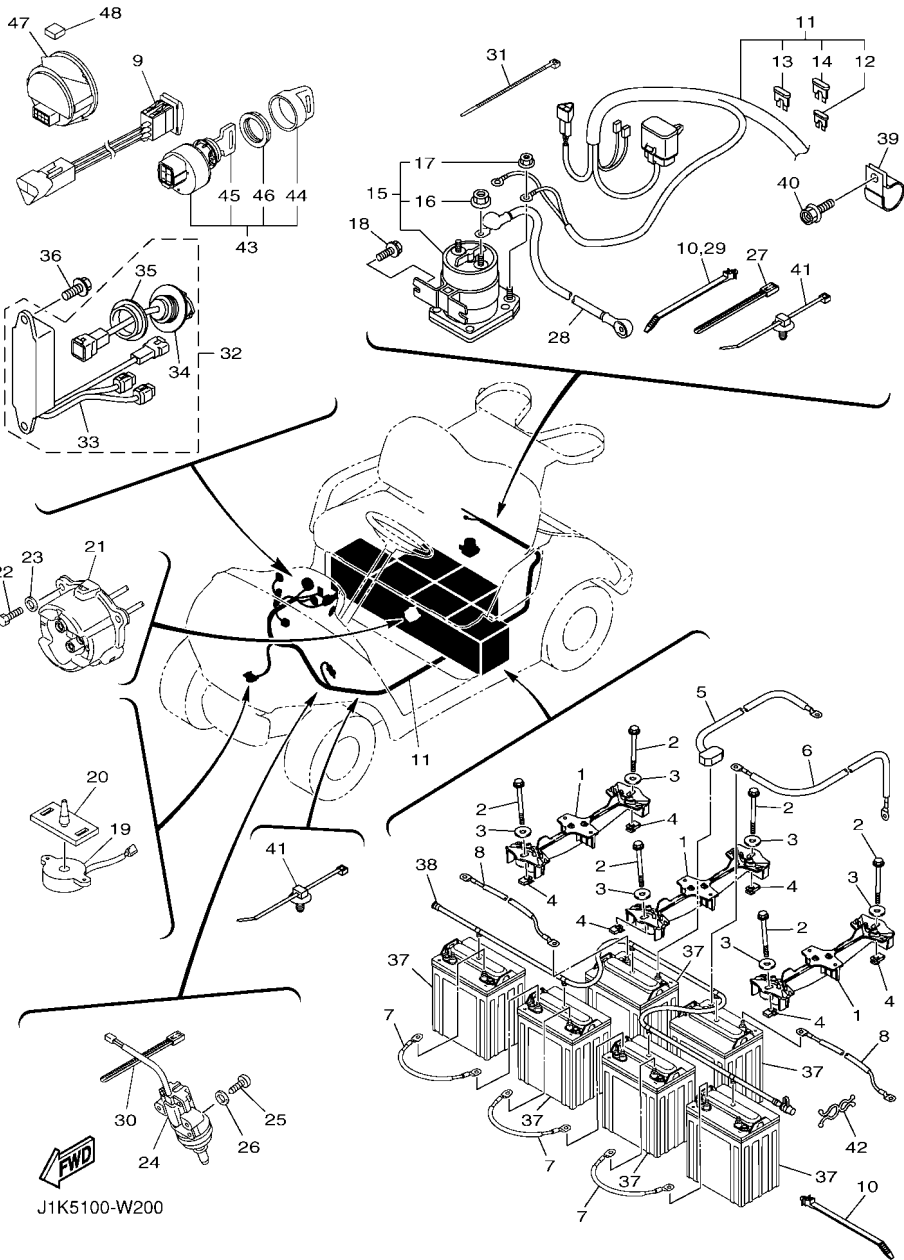
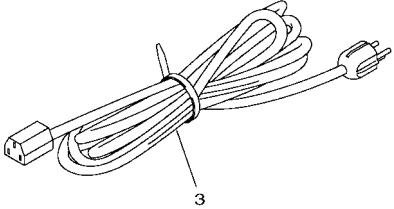
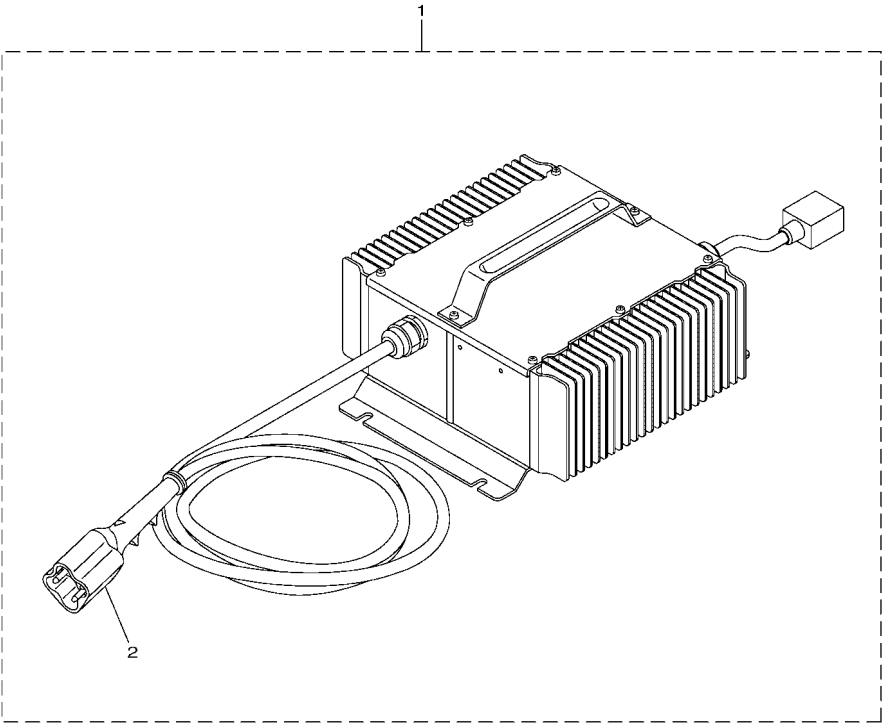


FIG. 20 ELECTRICAL 1

REF. NO.	PART NO.	DESCRIPTION	J1K5				REMARKS
28	J1K-H6527-00	WIRE 7	1				
29	90464-20005	CLAMP	3				
30	90464-32804	CLAMP	1				
31	90464-70803	CLAMP	1				
32	J0E-H21E0-03	USB ASSY	1				
33	J0E-H21E1-01	.PLUG, USB	1				
34	J0D-H21E2-01	.CABLE, USB	2				
35	J0D-H2114-00	.NUT	1				
36	95D32-06016	BOLT, FLANGE DEEP RECESS	2				
37	*	BATTERY ASSY (8V, GC8)	6				LM
38	JW9-H210G-00	BATTERY WATERING SYSTEM ASSY.	1				
39	90461-14108	CLAMP	1				
40	95822-08016	BOLT, FLANGE	1				
41	1NS-F1338-00	CLAMP	2				
42	90464-14134	CLAMP	1				
43	JW1-H2510-00	MAIN SWITCH ASSY	1				
44	5UG-H2579-00	.CAP, KEY	1				
45	JU2-H2511-00	.KEY, MAIN SWITCH	2				
46	JU6-H2569-00	.NUT, MAIN SWITCH	1				
47	JC1-H351B-01	GAUGE, BATTERY	1				
48	J1B-K821A-00	PAD, BODY MOUNTING1	1				

**FIG. 21 BATTERY CHARGER**



J1K2431-W210

REF. NO.	PART NO.	DESCRIPTION	J1K5					REMARKS
1	JW2-H2107-51	CHARGER, BATTERY	1					
2	JW2-H7209-20	.CHARGE CORD ASSY	1					
3	J1A-H1962-00	CORD COMP.	1					AP

NUMERICAL INDEX

PART NO.	REF. NO.	PART NO.	REF. NO.	PART NO.	REF. NO.	PART NO.	REF. NO.	PART NO.	REF. NO.	PART NO.	REF. NO.
JX4-22123-00	1 - 2	J1B-F258E-00	2 - 6	JW8-F7119-00	6 - 29	JW8-G4178-00	8 - 32	JU2-H2917-00	20 - 9	J1B-K8111-30	13 - 1
J1A-23400-02	4 - 10	J0B-F2873-01	13 - 15	JW8-F7121-00	6 - 14	JW8-G5244-00	8 - 33	JR1-H3383-02	20 - 19	J1B-K8111-40	13 - 1
2NL-23448-00	3 - 9	J0B-F2874-01	13 - 16	J0G-F7200-02	6 - 2	JW8-G5378-00	8 - 22	J1J-H3386-00	20 - 20	J1B-K8111-50	13 - 1
2NL-23517-00	3 - 11	J0G-F3145-00	6 - 57	JW8-F7213-20	6 - 34	JW9-G6136-00	8 - 8	JC1-H351B-01	20 - 47	J0B-K8111-A0	13 - 1
2HR-23526-00	3 - 3	J0B-F3147-20	10 - 17	JW8-F7217-00	6 - 32	J0C-G6300-02	7 - 1	JW3-H3756-00	18 - 3	J1B-K8112-10	13 - 4
J1A-23527-01	4 - 20	JW8-F3183-00	6 - 17	J0G-F7218-00	6 - 11			J0J-H554E-10	20 - 14	J1B-K8112-20	13 - 4
JX4-23812-01	4 - 13	J0C-F3350-00	3 - 14	JW9-F7221-00	6 - 15	JW9-G6312-00	8 - 19	J0J-H554E-30	20 - 13	J1B-K8112-30	13 - 4
J1A-23822-00	4 - 28	J0C-F3390-00	3 - 19	JW9-F7228-00	6 - 24	JW9-G631A-00	8 - 18	J0J-H554E-50	20 - 12	J1B-K8112-40	13 - 4
J1A-23837-00	4 - 21	J0B-F3447-00	13 - 2	JW9-F7231-10	6 - 19	JW9-G6321-00	8 - 3	J0J-H5588-00	18 - 11	J1B-K8112-50	13 - 4
JR7-23844-00	4 - 19		13 - 5	JW9-F7232-00	6 - 20	JW9-G6350-00	8 - 11	JW9-H5885-00	6 - 52	J0B-K8112-A0	13 - 4
JX4-2384N-00	4 - 12		13 - 13	JW9-F7245-10	6 - 30	JW9-G6410-00	8 - 15	JW9-H6181-10	20 - 21	J0E-K8114-01	12 - 6
JR7-23866-00	4 - 23	JU0-F3511-10	3 - 4	JW9-F7246-20	6 - 46	JW9-G6421-00	8 - 13	J0J-H6510-00	19 - 1	J1B-K8115-10	12 - 1
J1A-2387A-00	4 - 11	JW1-F3512-00	3 - 5	JW9-F7263-00	6 - 49	JN3-G6432-00	8 - 20	J1K-H6527-00	20 - 28	J1B-K8115-20	12 - 1
J1A-2387E-00	4 - 14	JU0-F3521-10	3 - 12	JW8-F7280-10	7 - 13	JR1-G6511-00	8 - 25	JW2-H7209-20	21 - 2	J1B-K8115-30	12 - 1
JR7-2387F-00	4 - 17	JU0-F3570-20	3 - 1	JW8-F7281-00	7 - 5	JR1-G6512-00	8 - 26	J0B-K7115-00	4 - 37	J1B-K8115-40	12 - 1
JR7-2387G-00	4 - 15	J1A-F3811-00	4 - 1		7 - 16	JW8-G6514-00	8 - 31	J0B-K7145-20	10 - 8	J1B-K8115-50	12 - 1
JR7-2387J-00	4 - 18	J1A-F3828-00	4 - 4	JW8-F7286-00	7 - 10	JW8-G6521-00	8 - 37	J0B-K7146-20	10 - 9	J0B-K8115-A0	12 - 1
JR7-2387K-00	4 - 16	1P0-F3833-00	4 - 25		7 - 21	J0J-H1117-00	18 - 6	J0B-K7147-20	10 - 15	JW9-K811K-00	20 - 4
JR7-23894-00	4 - 24	J0A-F3838-00	4 - 6	JW8-F7290-10	7 - 2	J0J-H1155-00	18 - 4	J0B-K7148-20	10 - 16	J1B-K8141-00	13 - 10
JR7-2467K-00	4 - 22	J1A-F3841-00	4 - 26	J0G-F7313-00	6 - 12	J0J-H165G-00	18 - 7	J0B-K7155-20	10 - 7	J1B-K8141-10	13 - 10
J38-27204-00	7 - 15	JU0-F3857-20	4 - 3	JW8-F7316-01	6 - 31	JW3-H182J-00	18 - 8	J0G-K7155-C0	10 - 5	J1B-K8141-20	13 - 10
J38-27205-00	7 - 4		4 - 5	JW8-F7317-00	6 - 40	JW3-H183J-00	18 - 2	J0G-K7156-C0	10 - 6	J1B-K8141-30	13 - 10
J55-27260-00	7 - 9	JW1-F414G-10	15 - 17	JW8-F7318-00	6 - 21	J0J-H183X-00	18 - 10	J0B-K7173-21	10 - 2	J1B-K8141-40	13 - 10
J55-27270-00	7 - 20	J1B-F4161-00	12 - 2	JW8-F7322-00	6 - 16	JW3-H1869-00	18 - 9	J0B-K7200-24	10 - 1	J1B-K8141-50	13 - 10
J10-27282-00	7 - 6	J0B-F417A-00	15 - 16	J0E-F7411-01	2 - 4	J0J-H1890-00	18 - 1	J0B-K7217-00	10 - 13	J1B-K8164-00	11 - 2
	7 - 17	JW8-F41B8-00	6 - 51	J0G-F7416-00	6 - 9	JW9-H1892-00	20 - 2	J0B-K7218-00	10 - 14	J1B-K816M-00	2 - 15
JF7-82817-22	20 - 24	JW8-F4486-00	6 - 44	JW8-F7426-01	6 - 18	JU6-H1950-00	20 - 15	J0B-K7237-00	10 - 3	J1B-K817H-00	13 - 22
J0B-F125J-00	2 - 17		6 - 48	JW8-F7434-00	6 - 39	J1A-H1962-00	21 - 3	J0B-K7240-20	10 - 11	J1B-K817J-00	13 - 23
1NS-F1338-00	20 - 41	JW9-F4648-20	6 - 50	JW8-F7435-00	6 - 56	JW2-H2107-51	21 - 1	J0B-K7247-00	10 - 18	J0B-K818A-00	14 - 2
JW1-F1549-01	15 - 8	J1B-F5100-00	9 - 1	JW8-F7438-00	6 - 38	JW9-H210G-00	20 - 38	J0B-K7248-00	10 - 12	J0B-K818B-00	14 - 5
	15 - 14	J1A-F5103-00	3 - 21	J0H-F7445-10	6 - 33	J0D-H2114-00	20 - 35	J0B-K7257-20	10 - 4	J0B-K8191-00	14 - 8
J0B-F1738-00	2 - 5	JW8-F5118-00	8 - 38	J0G-F7814-00	6 - 23	J1K-H2115-00	20 - 5	JW7-K7329-00	13 - 8	J0B-K8192-00	14 - 10
	13 - 9	JN6-F5118-01	3 - 29	JW8-F7814-21	6 - 3	J1K-H2116-00	20 - 6	J0B-K7363-00	4 - 36	J0B-K819H-00	13 - 7
	13 - 14	JW8-F5415-00	6 - 26	J0G-F7825-00	6 - 28	JW9-H2127-00	20 - 7	J0B-K7387-00	4 - 34	J0B-K81A1-00	4 - 33
	17 - 5	JW9-F5666-00	6 - 13	J0H-F7850-20	6 - 1	JW9-H2136-00	20 - 1	JW1-K7387-00	15 - 10	J1A-K81A1-00	13 - 19
	17 - 7	J0G-F5671-00	6 - 4	J0H-F7853-10	6 - 35	JW9-H2149-00	20 - 8	J0B-K7510-01	11 - 1	J1B-K81B1-00	13 - 20
J1K-F1781-00	13 - 18	JW9-F5673-00	6 - 45	J0G-F7854-00	6 - 5	J1A-H218E-00	18 - 15	J0B-K7529-20	10 - 10	JW1-K8214-00	15 - 12
J1B-F2110-00	1 - 1	JW8-F5681-10	5 - 6	J0G-F7871-01	6 - 36	J0E-H21E0-03	20 - 32	J0B-K7540-00	11 - 7	J1B-K821A-00	2 - 14
JN6-F2124-10	1 - 6	JN6-F5685-01	5 - 7	J0H-F7872-00	6 - 37	J0E-H21E1-01	20 - 33	JU0-K7573-00	12 - 3		20 - 48
J1B-F2127-00	2 - 8	JW9-F5827-00	6 - 53	J0G-F815H-10	6 - 42	J0D-H21E2-01	20 - 34	J1B-K7741-00	12 - 10	J0B-K8233-10	12 - 15
J1A-F2128-00	3 - 16	JW9-F5827-10	6 - 53	JW8-F8323-00	6 - 25	J1B-H2370-00	12 - 14	J1K-K7762-10	4 - 38	J0B-K8237-02	13 - 12
J1A-F217G-00	1 - 10	J0G-F5922-00	6 - 43	JW8-F8331-00	6 - 47	J0J-H2379-00	18 - 5	J1K-K7762-20	4 - 38	J1B-K8243-00	12 - 18
J0C-F2210-00	1 - 14	JW8-F6314-00	6 - 22	JW8-F8363-00	6 - 8	JW1-H2510-00	20 - 43	J1B-K7768-10	12 - 8	J1B-K8244-00	12 - 20
JW9-F2417-00	2 - 13	JW9-F632G-00	6 - 54	JW8-G2535-00	8 - 34	JU2-H2511-00	20 - 45	J1B-K7768-20	12 - 8	J1B-K8271-00	14 - 1
J1B-F2501-01	2 - 1	J1B-F6341-00	5 - 1	JW8-G2536-00	8 - 35	JU6-H2569-00	20 - 46	J1B-K7768-30	12 - 8	J1K-K8273-00	12 - 17
J1C-F252M-01	2 - 9	J1A-F6351-00	5 - 2	JW8-G2541-00	8 - 39	5UG-H2579-00	20 - 44	J1B-K7768-40	12 - 8	J0C-K827A-00	13 - 17
J1A-F2535-01	2 - 11	JW8-F639N-00	6 - 10	JW8-G2756-00	8 - 36	J1K-H2590-00	20 - 11	J1B-K8111-10	13 - 1	J1B-K8282-00	12 - 9
J1B-F255G-00	2 - 2	JW8-F7118-00	6 - 41	JH7-G3396-01	8 - 9	JW2-H2727-00	19 - 2	J1B-K8111-20	13 - 1	J1A-K8297-10	13 - 21

NUMERICAL INDEX

PART NO.	REF. NO.	PART NO.	REF. NO.	PART NO.	REF. NO.	PART NO.	REF. NO.	PART NO.	REF. NO.	PART NO.	REF. NO.
J1A-K8297-20	13 - 21	90170-10840	8 - 17	90468-20196	5 - 4	95802-06040	17 - 1				
J1K-K8298-00	2 - 19	90176-06008	16 - 6	90506-14001	7 - 8	95812-06012	12 - 4				
J1K-K8298-10	2 - 19	90179-05886	20 - 17		7 - 19	95812-06025	18 - 12				
J0B-K8312-00	15 - 3	90179-08261	5 - 8	90506-20281	7 - 7	95812-08016	11 - 3				
JW1-K8313-01	15 - 5	90179-08887	20 - 16		7 - 18	95812-08020	4 - 2				
JW1-K8314-10	15 - 11	90179-12262	9 - 3	91490-25015	5 - 13		6 - 58				
J1B-K832F-00	12 - 22	90183-05008	12 - 13	91490-30030	8 - 27	95812-08040	2 - 3				
J1B-K832G-00	12 - 23	90185-12008	4 - 7	91702-08018	5 - 12	95812-10016	1 - 5				
JW1-K8340-00	16 - 3	90201-04810	4 - 35	91702-10026	5 - 3	95812-10040	4 - 27				
JW1-K834G-00	16 - 9	90201-05824	6 - 55	92017-06040	16 - 4	95812-10055	1 - 15				
J1K-K8355-00	16 - 8	90201-06020	16 - 5	92900-06600	17 - 12	95812-12065	1 - 7				
JF2-K8356-00	16 - 7	90201-068E2	18 - 14	92902-05600	20 - 23	95812-12080	3 - 17				
J0B-K8357-00	4 - 31	90201-08310	20 - 3		20 - 26	95822-06012	11 - 6				
J0B-K8358-00	4 - 32	90201-121H8	7 - 12	92902-08600	4 - 30		20 - 18				
J0B-K835E-00	12 - 11		7 - 23	92902-10100	1 - 12	95822-06016	2 - 10				
J0B-K8361-00	17 - 4	90201-121H9	7 - 11	92902-10600	1 - 13	95822-08016	2 - 7				
J0B-K8362-00	17 - 6		7 - 22	92902-12200	4 - 8		2 - 12				
JN6-K8380-00	16 - 13	90201-12426	1 - 9	92907-08600	19 - 4		20 - 40				
J0B-K8388-00	15 - 6	90209-32271	3 - 27	92990-06100	16 - 16	95D02-06025	19 - 5				
JU0-K8388-00	15 - 7	90249-14129	5 - 10		18 - 13	95D32-06016	20 - 36				
	15 - 13	90269-06804	12 - 5	92990-06200	16 - 11	95D32-08030	2 - 16				
JW1-K8388-00	15 - 4		14 - 4		16 - 15	95D32-08050	11 - 4				
J0B-K838A-20	10 - 19		14 - 7	93101-24822	8 - 28	97002-05016	20 - 22				
JU0-K8398-00	15 - 9		14 - 9	93102-30803	3 - 26	97012-06020	6 - 7				
	15 - 15		14 - 11	93210-148B9	8 - 12	97012-08030	4 - 29				
J0A-K8401-10	17 - 3	90269-07805	12 - 19	93210-478E8	8 - 5	97012-10020	1 - 11				
JW1-K8402-10	17 - 10		12 - 21	93306-00440	8 - 30	97027-08016	19 - 3				
J1B-K8423-00	16 - 1		13 - 3	93306-005X3	3 - 24	97080-06020	16 - 10				
J1B-K8426-00	17 - 8		13 - 6	93306-005Y1	8 - 6	97080-06040	17 - 11				
J1A-K8427-00	17 - 2		13 - 11	93306-007Y0	8 - 14	98502-05025	20 - 25				
J0B-K84A0-00	15 - 1	90269-08001	12 - 7	93306-203X1	8 - 7	98580-06010	16 - 14				
J0B-K84A2-00	15 - 2	90269-09003	12 - 16	93306-254Y8	3 - 23	99002-09600	5 - 11				
JN9-W2536-11	7 - 3		14 - 3	93306-303Y6	8 - 10						
	7 - 14		14 - 6	93420-44805	8 - 29						
90101-08855	8 - 23	90381-17800	3 - 10	93420-50804	8 - 4						
90101-08856	8 - 21	90381-18001	3 - 2	93900-00825	9 - 2						
90101-10854	8 - 16	90386-12800	6 - 27	95302-08700	11 - 5						
90105-10219	3 - 8	90387-12016	3 - 15	95307-08700	5 - 9						
90105-10267	3 - 13	90387-21801	3 - 25	95602-10200	1 - 16						
	3 - 20	90461-14108	20 - 39		3 - 7						
90105-10373	3 - 6	90464-14134	20 - 42		11 - 8						
90105-10840	8 - 2	90464-20005	20 - 10	95602-12200	1 - 4						
90105-12031	1 - 3		20 - 29		1 - 8						
90109-08178	16 - 2	90464-24230	5 - 5		4 - 9						
90110-06125	17 - 9	90464-32804	20 - 27	95602-14100	3 - 28						
90111-05805	12 - 12		20 - 30	95607-06200	6 - 6						
90114-12004	3 - 22	90464-70803	2 - 18	95612-12100	3 - 18						
90170-08841	8 - 24		20 - 31	95680-06100	16 - 12						