



PARTS CATALOGUE

DR2E20 AC (J0J4) CANADA, EUROPE, OTHERS



1VJ0J-100E1

()

DR2E20 AC
PARTS CATALOGUE
©2019 by Yamaha Motor Co., Ltd.
1st edition, June 2019
All rights reserved.
Any reprinting or unauthorized use
without the written permission of
Yamaha Motor Co., Ltd.
is expressly prohibited.
Printed in Japan.

FOREWORD

This Parts Catalogue is related to the parts for the model(s) on the cover page. When you are ordering replacement parts, please refer to this Parts Catalogue and quote both part numbers and part names correctly.

1. Modifications or additions which have been made after the issue of the Parts Catalogue will be announced in the Parts News.
It is advisable that you make the necessary corrections to the Parts Catalogue according to the Parts News.

2. Abbreviations

The following abbreviations are used in this Parts Catalogue.

“UR” Use specified parts number.

“UN” Use as many as needed.

“AP” Alternate Parts

“LM” Locally Made (Parts need to be ordered locally)

“F#” Frame No. (Applicable machine No.)

“O/S” Over Size

3. The number of components for assembly

- Parts, which are to be supplied in an assembly, are listed with a dot (.) in front of the part name as shown below.
- The numeral appearing to the right of each component part indicates the quantity of parts for each assembly unit.

| PART NO. | DESCRIPTION | Q'TY | REMARKS |
|--------------|--------------------------|------|---------|
| 2F5-83310-60 | FRONT FLASHER LIGHT ASSY | 2 | |
| 115-83311-60 | .BULB (6V-18W) | 1 | |

4. Applicable colours of graphics are represented in the “REMARKS” as shown below.

| PART NO. | DESCRIPTION | Q'TY | REMARKS |
|-----------------|---------------------|------|---------|
| 2N4-24110-00-X5 | FUEL TANK COMP. | 2 | MXR |
| 3J1-24240-10 | .GRAPHIC, FUEL TANK | 1 | FOR MXR |

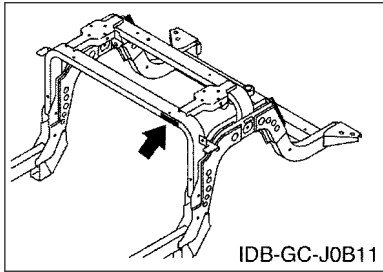
5. Note that the illustrations for reference in finding parts numbers are not to be used for assembling. When assembling, please use the applicable service manual.

6. The asterisk (*) before a reference number indicates modified items after the first edition.

FOREWORD

7. Applicable Serial No.

Frame Serial No.



8. Applicable Colour Code (The (*) mark shows Model colour.)

| Abbreviation | Colour Name | Colour Code |
|--------------|------------------------------|-------------|
| BW1(*) | BLUISH WHITE 1 | 1571 |
| DNBME(*) | DARK GRAYISH BLUE METALLIC E | 0866 |
| DNMC(*) | DARK GRAY METALLIC C | 0922 |
| HTR(*) | HEAT RED | 00EY |
| LNMP(*) | LIGHT GRAY METALLIC P | 0925 |
| MDBM2(*) | MAT DARK BLUE METALLIC 2 | 1712 |
| NYM6(*) | GRAYISH YELLOW METALLIC 6 | 1796 |
| NYS4(*) | GRAYISH YELLOW SOLID 4 | 1459 |
| VDGS1(*) | VERY DARK GREEN SOLID 1 | 0614 |
| | | |

9. Quantity Column Information

| Column No. | Name Of Q'ty Column | Destination |
|------------|---------------------|------------------------|
| 1 | J0J4 | CANADA, EUROPE, OTHERS |
| | | |
| | | |
| | | |

10. Applicable Starting Serial No.

Frame Serial No.

| Serial No. | Name Of Q'ty Column | Model Code |
|------------|---------------------|------------|
| J0J-300101 | J0J4 | J0J4 |
| | | |
| | | |
| | | |

CONTENTS

BODY

| | |
|----------------------------|----|
| REAR ARM & SUSPENSION..... | 1 |
| FRAME..... | 2 |
| FRONT SUSPENSION..... | 3 |
| STEERING..... | 5 |
| PEDAL WIRE..... | 7 |
| PEDAL ASSEMBLY..... | 8 |
| BRAKE..... | 11 |

DRIVE

| | |
|-------------------|----|
| TRANSAXLE..... | 12 |
| WHEEL..... | 14 |
| BUMPER..... | 15 |
| BODY..... | 16 |
| BODY 2..... | 18 |
| BODY FITTING..... | 20 |
| CARRIER..... | 21 |
| SEAT..... | 22 |

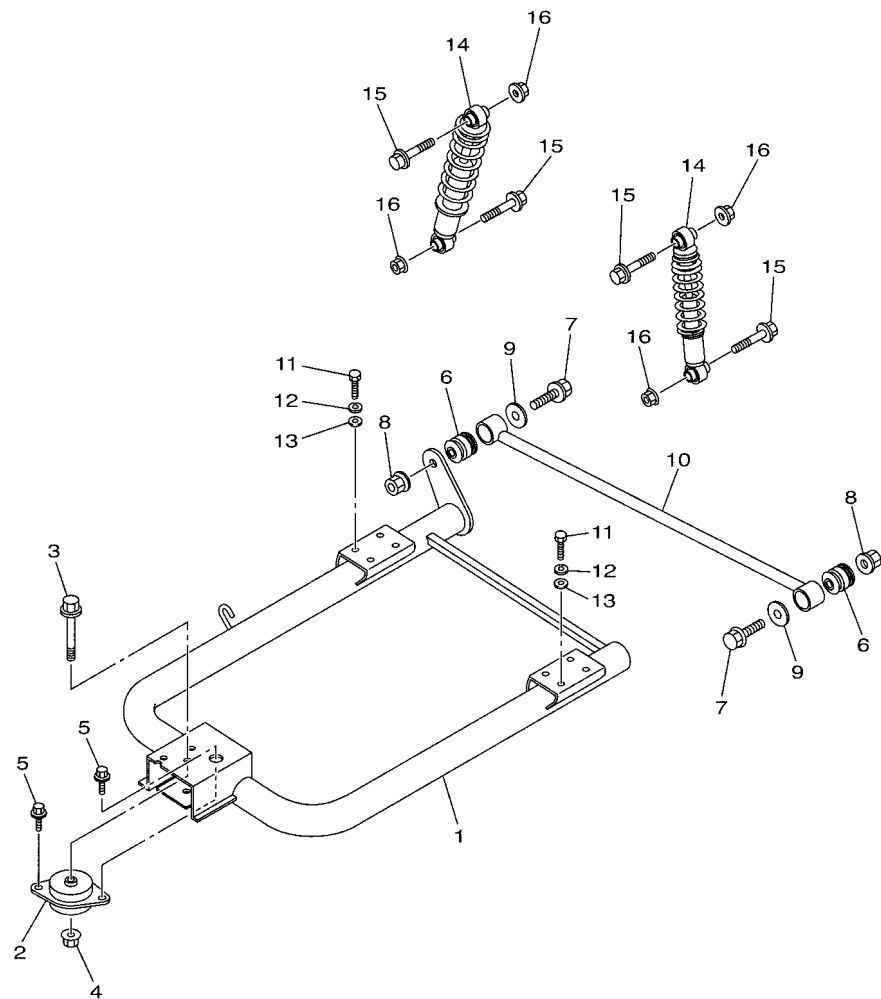
ELECTRICAL

| | |
|-------------------------------|----|
| ELECTRIC MOTOR..... | 23 |
| CONTROLLER 1..... | 24 |
| ELECTRICAL 1..... | 25 |
| BATTERY CHARGER..... | 27 |
| ALTERNATE FOR CHASSIS..... | 28 |
| ALTERNATE FOR WINDSHIELD..... | 30 |
| ALTERNATE FOR SUN ROOF..... | 32 |
| ALTERNATE FOR SEAT..... | 33 |

INDEX

| | |
|----------------------|----|
| NUMERICAL INDEX..... | 34 |
|----------------------|----|

FIG. 1 REAR ARM & SUSPENSION



J0C1110-S010

| REF. NO. | PART NO. | DESCRIPTION | J0J4 | | | | REMARKS |
|----------|--------------|---------------------------|------|--|--|--|---------|
| 1 | J0C-F2110-00 | REAR ARM COMP. | 1 | | | | |
| 2 | JN6-F2123-20 | BUSH 1 | 1 | | | | |
| 3 | 90105-13800 | BOLT, FLANGE | 1 | | | | |
| 4 | 90179-13800 | NUT | 1 | | | | |
| 5 | 90119-10044 | BOLT, WITH WASHER | 2 | | | | |
| 6 | JN6-F2124-10 | BUSH 2 | 2 | | | | |
| 7 | 95812-12065 | BOLT, FLANGE | 2 | | | | |
| 8 | 90185-12811 | NUT, SELF-LOCKING | 2 | | | | |
| 9 | 90201-128S4 | WASHER, PLATE | 2 | | | | |
| 10 | JW1-F217G-10 | ROD, CONNECTING 2 | 1 | | | | |
| 11 | 97012-10020 | BOLT | 8 | | | | |
| 12 | 92902-10100 | WASHER, SPRING | 8 | | | | |
| 13 | 92902-10600 | WASHER, PLATE | 8 | | | | |
| 14 | J0C-F2210-00 | SHOCK ABSORBER ASSY, REAR | 2 | | | | |
| 15 | 95812-10055 | BOLT, FLANGE | 4 | | | | |
| 16 | 95602-10200 | NUT, S/L FLANGE | 4 | | | | |

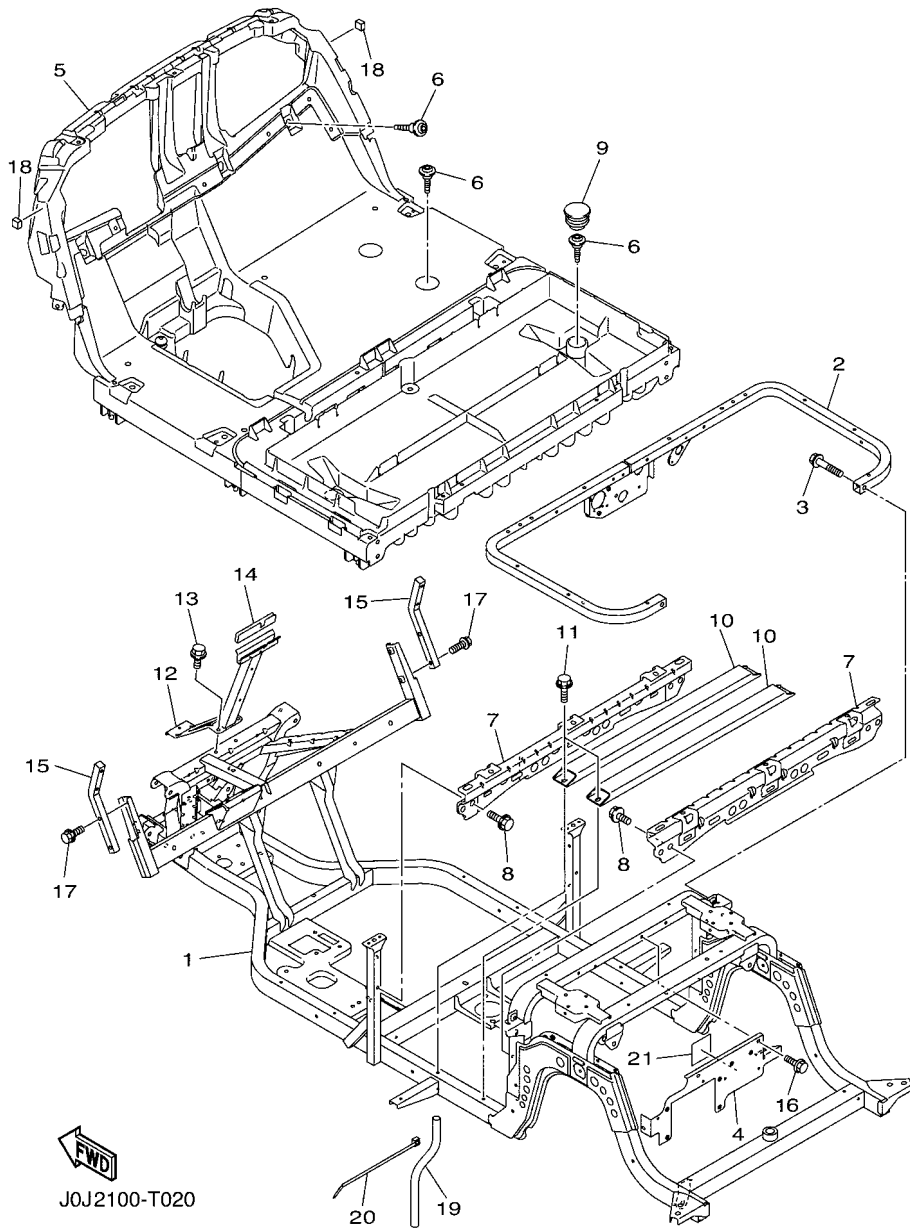
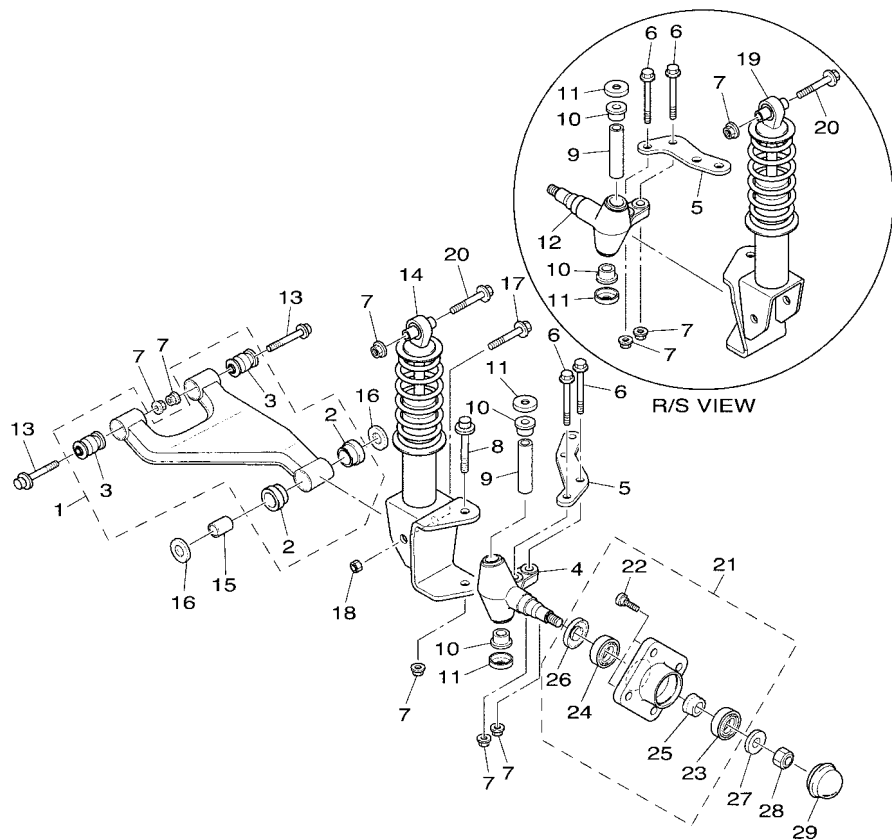


FIG. 2 FRAME

| REF. NO. | PART NO. | DESCRIPTION | J0J4 | | | REMARKS |
|----------|--------------|------------------------|------|--|--|-------------------|
| 1 | J0A-F2501-10 | FRAME COMP. | 1 | | | |
| 2 | J0B-F255G-00 | MEMBER, SEAT SUPPORT | 1 | | | |
| 3 | 95812-08040 | BOLT, FLANGE | 2 | | | |
| 4 | JC1-F252M-10 | BRACKET, 3 | 1 | | | |
| 5 | J0C-F7411-01 | FOOTREST 1 | 1 | | | |
| 6 | J0B-F1738-00 | BOLT | 9 | | | |
| 7 | JW9-F2535-00 | STAY, BATTERY 1 | 2 | | | |
| 8 | JW1-F1738-00 | BOLT | 4 | | | |
| 9 | JW9-F2417-00 | PLUG | 2 | | | |
| 10 | JW9-F2198-10 | MEMBER, CROSS | 2 | | | |
| 11 | JW1-F1738-00 | BOLT | 4 | | | |
| 12 | J0B-F258E-10 | SUPPORT, FRONT COWL | 1 | | | |
| 13 | 90105-08867 | BOLT, FLANGE | 2 | | | |
| 14 | J0B-F2127-00 | SHIM | 1 | | | |
| 15 | J1B-K816M-00 | SUPPORT, HOLDER | 2 | | | |
| 16 | 90105-06831 | BOLT, FLANGE | 2 | | | |
| 17 | 90105-088B6 | BOLT, FLANGE | 4 | | | |
| 18 | J0B-K821A-00 | PAD, BODY MOUNTING1 | 2 | | | |
| 19 | J0B-F125J-00 | PIPE, DRAIN | 2 | | | |
| 20 | 90464-76800 | CLAMP | 2 | | | |
| 21 | JW2-K8298-10 | PLATE, CAUTION 2 (E,F) | 1 | | | UR ENGLISH/FRENCH |
| | JW2-K8298-20 | PLATE, CAUTION 2 (G,S) | 1 | | | UR GERMAN/SPANISH |

FIG. 3 FRONT SUSPENSION

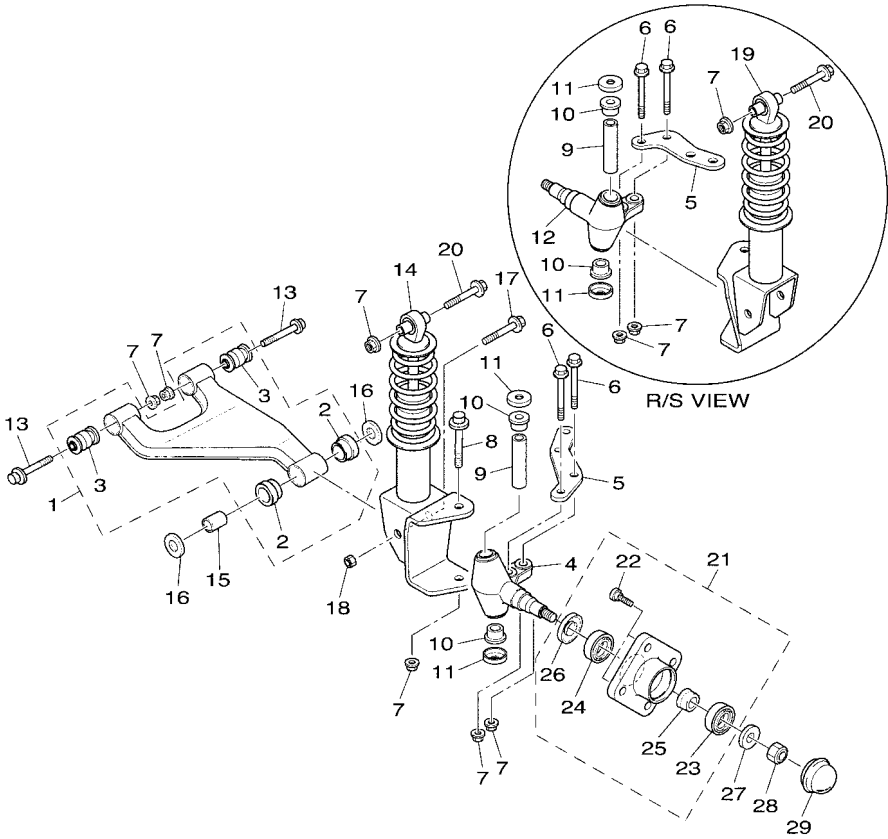


| REF. NO. | PART NO. | DESCRIPTION | J04 | | | | REMARKS |
|----------|--------------|------------------------------|-----|--|--|--|---------|
| 1 | J0B-F3570-10 | FRONT LOWER ARM COMP. (LEFT) | 2 | | | | |
| 2 | 90381-18801 | .BUSH, SOLID | 2 | | | | |
| 3 | 2HR-23526-00 | .BUSH | 2 | | | | |
| 4 | JU0-F3511-20 | KNUCKLE, STEERING 1 | 1 | | | | |
| 5 | JW1-F3512-00 | ARM, KNUCKLE 1 | 2 | | | | |
| 6 | 90105-10373 | BOLT, FLANGE | 4 | | | | |
| 7 | 95602-10200 | NUT, S/L FLANGE | 12 | | | | |
| 8 | 90105-10219 | BOLT, FLANGE | 2 | | | | |
| 9 | 2NL-23448-00 | SPACER | 2 | | | | |
| 10 | 90381-17800 | BUSH, SOLID | 4 | | | | |
| 11 | 2NL-23517-00 | COVER, THRUST 1 | 4 | | | | |
| 12 | JU0-F3521-20 | KNUCKLE, STEERING 2 | 1 | | | | |
| 13 | 90105-10267 | BOLT, FLANGE | 4 | | | | |
| 14 | J0C-F3350-00 | SHOCK ABSORBER ASSY | 1 | | | | |
| 15 | 90387-12016 | COLLAR | 2 | | | | |
| 16 | 401-22128-01 | COVER, THRUST 1 | 4 | | | | |
| 17 | 95812-12080 | BOLT, FLANGE | 2 | | | | |
| 18 | 90185-12810 | NUT, SELF-LOCKING | 2 | | | | |
| 19 | J0C-F3390-00 | SHOCK ABSORBER ASSY 2 | 1 | | | | |
| 20 | 90105-10267 | BOLT, FLANGE | 2 | | | | |
| 21 | JW8-F5103-00 | HUB BEARING UNIT ASSY | 2 | | | | |
| 22 | 90114-12806 | .BOLT, SERRATION | 4 | | | | |
| 23 | 93306-204X0 | .BEARING | 1 | | | | |
| 24 | 93306-005Y3 | .BEARING | 1 | | | | |
| 25 | 90387-241M7 | .COLLAR | 1 | | | | |
| 26 | 93102-30083 | .OIL SEAL | 1 | | | | |
| 27 | 90208-14801 | WASHER, CONICAL SPRING | 2 | | | | |



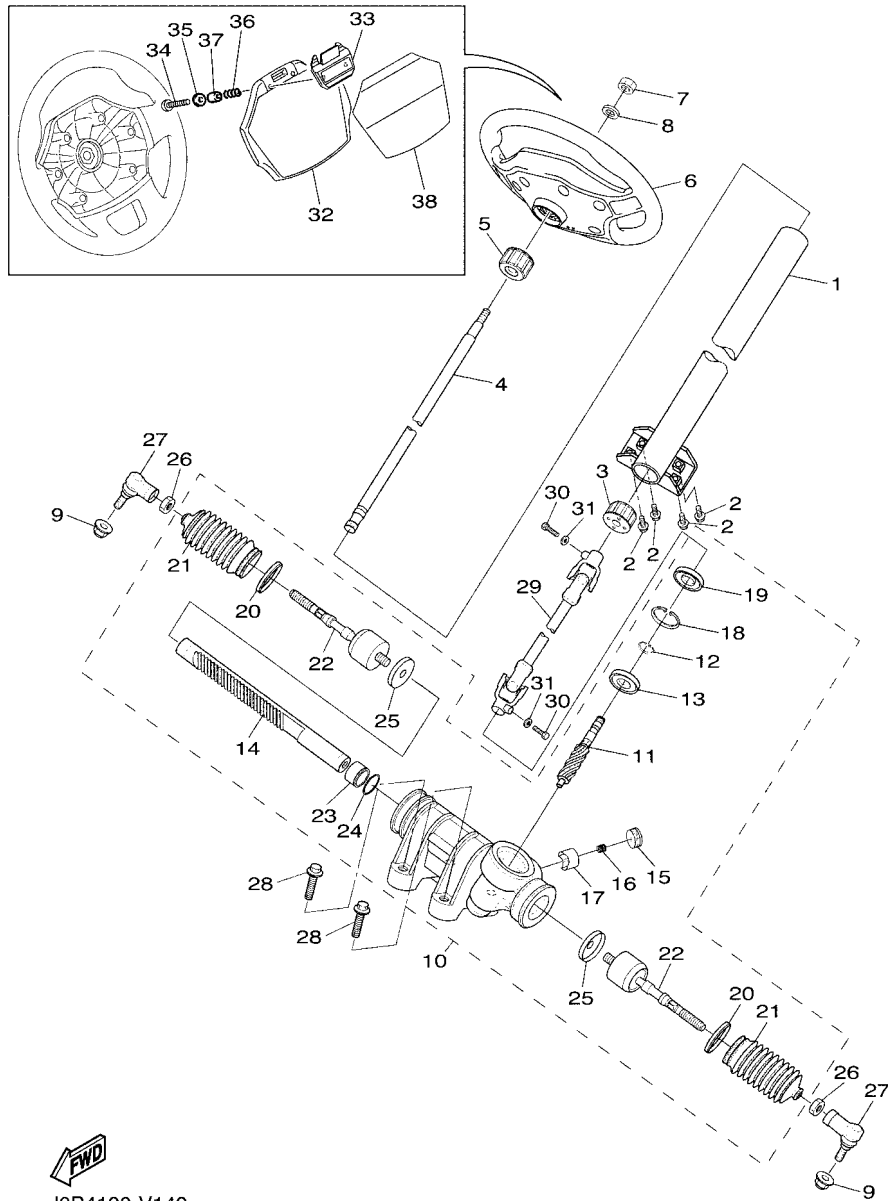
J0C4100-V030

FIG. 3 FRONT SUSPENSION



J0C4100-V030

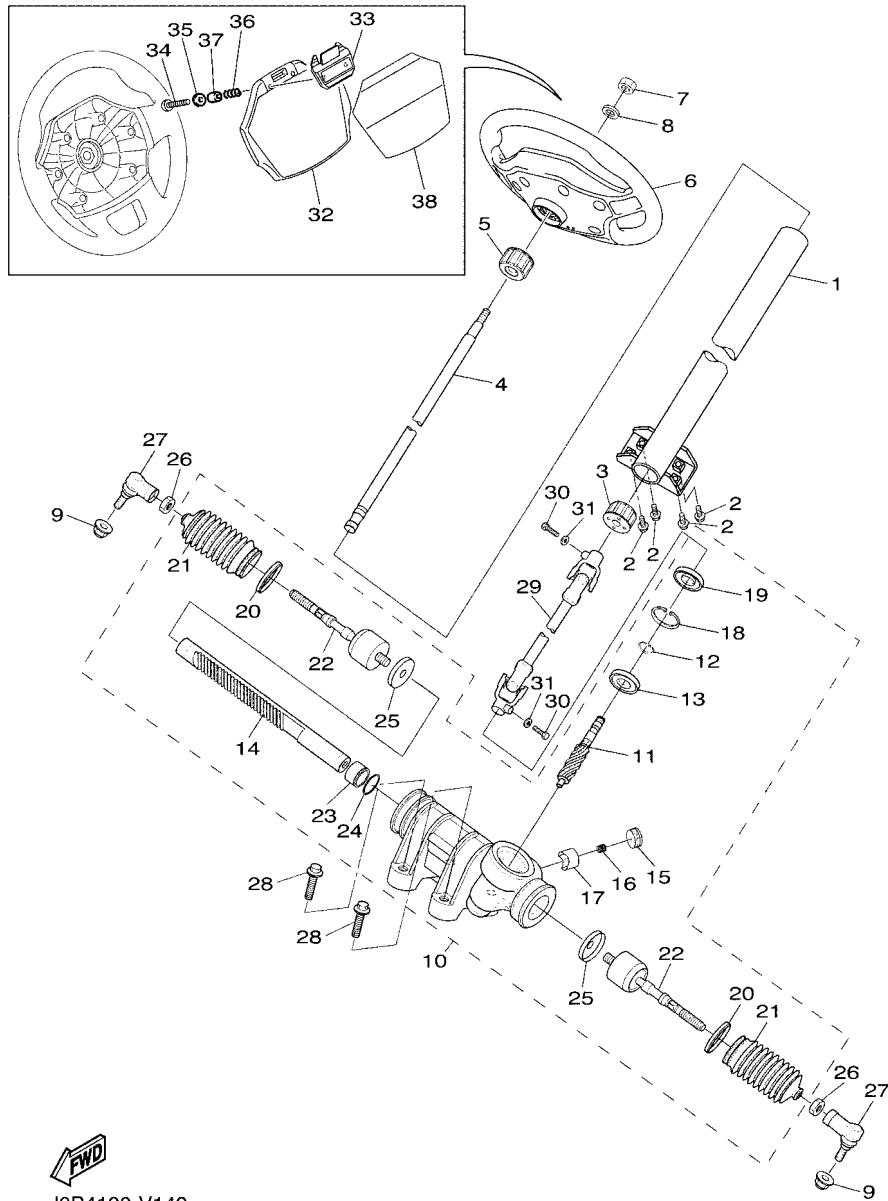
| REF. NO. | PART NO. | DESCRIPTION | J0C4 | | | REMARKS |
|----------|--------------|-----------------|------|--|--|---------|
| 28 | 95602-14100 | NUT, U | 2 | | | |
| 29 | JN6-F5118-01 | COVER, HUB DUST | 2 | | | |
| <hr/> | | | | | | |
| <hr/> | | | | | | |
| <hr/> | | | | | | |
| <hr/> | | | | | | |
| <hr/> | | | | | | |
| <hr/> | | | | | | |
| <hr/> | | | | | | |
| <hr/> | | | | | | |
| <hr/> | | | | | | |
| <hr/> | | | | | | |
| <hr/> | | | | | | |



J0B4100-V140

FIG. 4 STEERING

| REF. NO. | PART NO. | DESCRIPTION | J0J4 | REMARKS |
|----------|--------------|--------------------|------|---------|
| 1 | J0G-F3811-00 | COLUMN, STEERING | 1 | |
| 2 | 95812-08020 | BOLT, FLANGE | 4 | |
| 3 | JU0-F3857-20 | HOLDER | 1 | |
| 4 | JU0-F3828-10 | ROD, STEERING | 1 | |
| 5 | JU0-F3857-20 | HOLDER | 1 | |
| 6 | J0B-F3838-00 | WHEEL, STEERING | 1 | |
| 7 | 90185-12008 | NUT, SELF-LOCKING | 1 | |
| 8 | 92902-12200 | WASHER | 1 | |
| 9 | 90185-12811 | NUT, SELF-LOCKING | 2 | |
| 10 | JW1-F3400-00 | STEERING ASSY | 1 | |
| 11 | JW1-F387A-00 | .GEAR, PINION | 1 | |
| 12 | JW1-F3183-00 | .CIRCLIP | 1 | |
| 13 | JW1-F3812-00 | .BEARING, STEERING | 1 | |
| 14 | JW1-F387E-00 | .GEAR, RACK | 1 | |
| 15 | 5UG-F387G-00 | .COVER, ADJUST | 1 | |
| 16 | 5UG-F387K-00 | .SPRING, PRESSURE | 1 | |
| 17 | 5UG-F387F-00 | .PAD, PRESSURE | 1 | |
| 18 | 5UG-F387J-00 | .RING, STOPPER | 1 | |
| 19 | 5UG-F3844-00 | .SEAL | 1 | |
| 20 | 5UG-F3489-00 | .BAND | 2 | |
| 21 | 5UG-F3527-00 | .SEAL, DUST 1 | 2 | |
| 22 | JW1-F3837-00 | .ROD, TIE 2 | 2 | |
| 23 | JW1-F467K-00 | .BUSH, CAP | 1 | |
| 24 | JW1-F3866-00 | .CIRCLIP | 1 | |
| 25 | JW1-F3894-00 | .WASHER, LOCK 1 | 2 | |
| 26 | 1P0-F3833-00 | NUT 1 | 2 | |
| 27 | JW8-23841-01 | JOINT, UNIVERSAL 1 | 2 | |

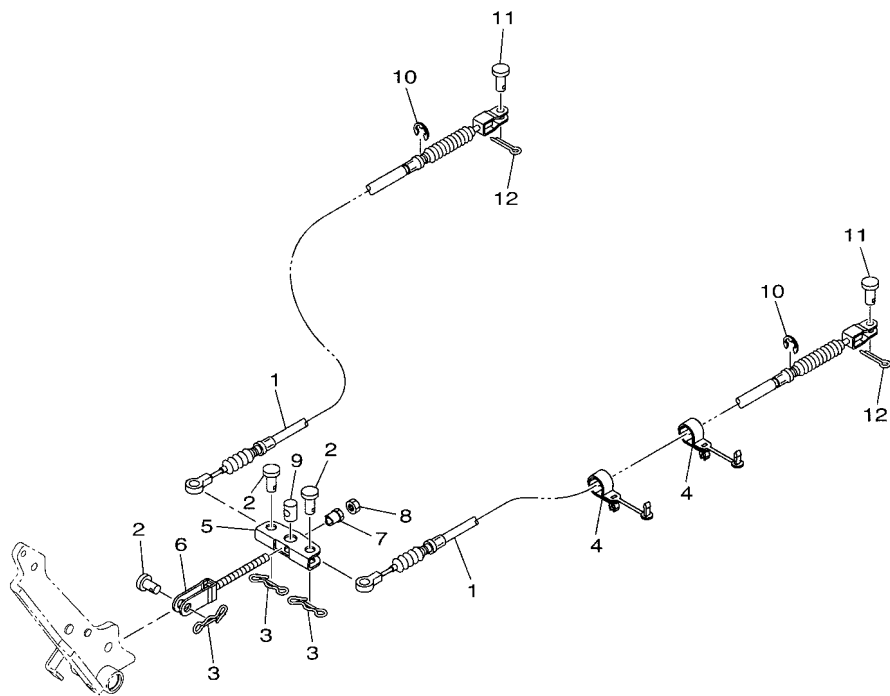


J0B4100-V140

FIG. 4 STEERING

| REF. NO. | PART NO. | DESCRIPTION | J0J4 | | | | REMARKS |
|----------|--------------|------------------|------|--|--|--|-------------------|
| 28 | 90105-10847 | BOLT, FLANGE | 4 | | | | |
| 29 | JW1-F3822-01 | JOINT 1 | 1 | | | | |
| 30 | 97012-08030 | BOLT | 2 | | | | |
| 31 | 92902-08600 | WASHER, PLATE | 2 | | | | |
| 32 | J0B-K8357-00 | HOLDER 1 | 1 | | | | |
| 33 | J0B-K8358-00 | HOLDER 2 | 1 | | | | |
| 34 | J0B-K7387-00 | SCREW | 2 | | | | |
| 35 | 90201-04810 | WASHER, PLATE | 2 | | | | |
| 36 | J0B-K7363-00 | SPRING | 2 | | | | |
| 37 | J0B-K7115-00 | COLLAR | 2 | | | | |
| 38 | J0B-K7762-10 | LABEL, WARNING 2 | 1 | | | | UR ENGLISH/FRENCH |
| | J0B-K7762-20 | LABEL, WARNING 2 | 1 | | | | UR GERMAN/SPANISH |

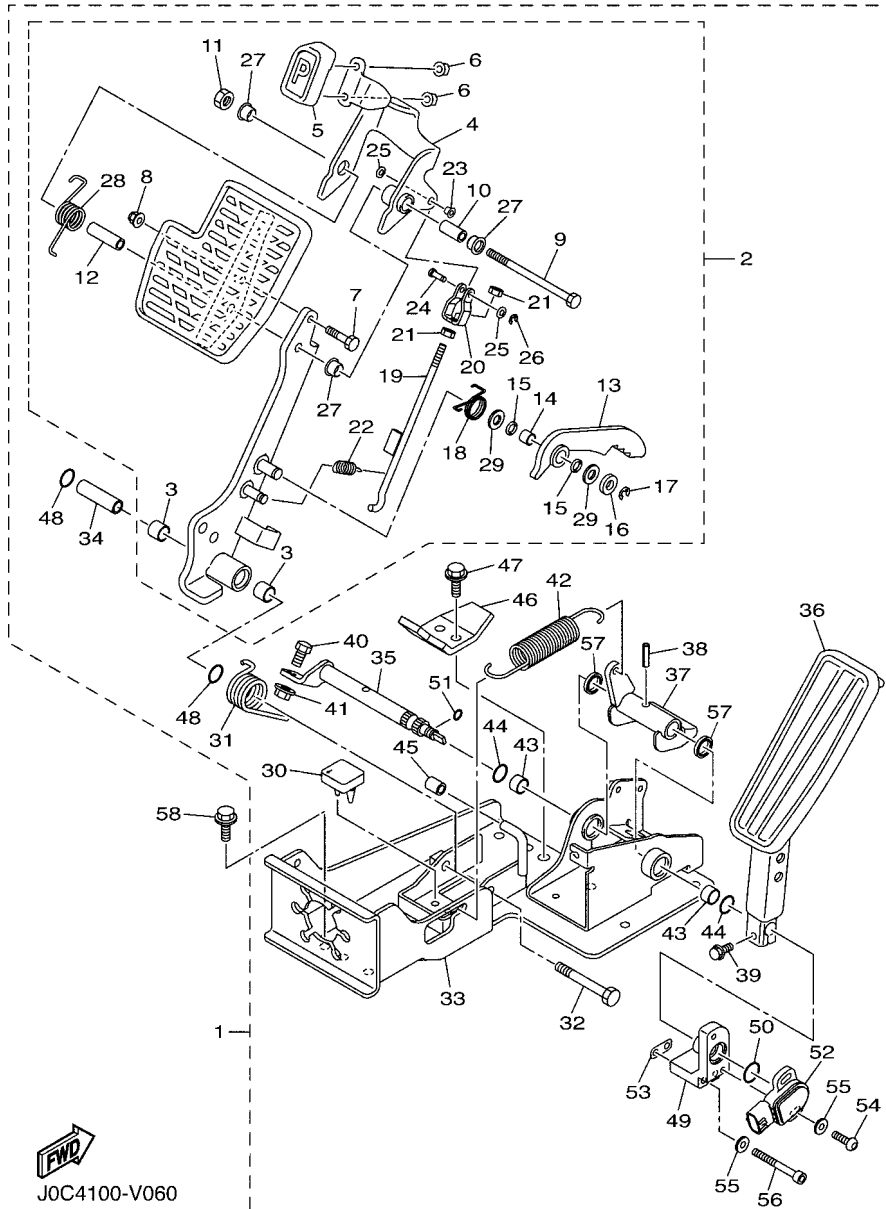
FIG. 5 PEDAL WIRE



| REF. NO. | PART NO. | DESCRIPTION | J0J4 | | | | REMARKS |
|----------|--------------|------------------|------|--|--|--|---------|
| 1 | JW9-F6351-10 | CABLE, BRAKE | 2 | | | | |
| 2 | 91702-10026 | PIN, CLEVIS | 3 | | | | |
| 3 | 90468-20196 | CLIP | 3 | | | | |
| 4 | JW7-F312H-00 | CLAMP | 4 | | | | |
| 5 | JW8-F5681-10 | EQUALIZER, BRAKE | 1 | | | | |
| 6 | JN6-F5685-01 | ROD | 1 | | | | |
| 7 | 90179-08822 | NUT | 1 | | | | |
| 8 | 95307-08700 | NUT | 1 | | | | |
| 9 | 90249-14129 | PIN | 1 | | | | |
| 10 | 99001-09600 | CIRCLIP | 2 | | | | |
| 11 | 91702-08018 | PIN, CLEVIS | 2 | | | | |
| 12 | 91490-25015 | PIN. COTTER | 2 | | | | |



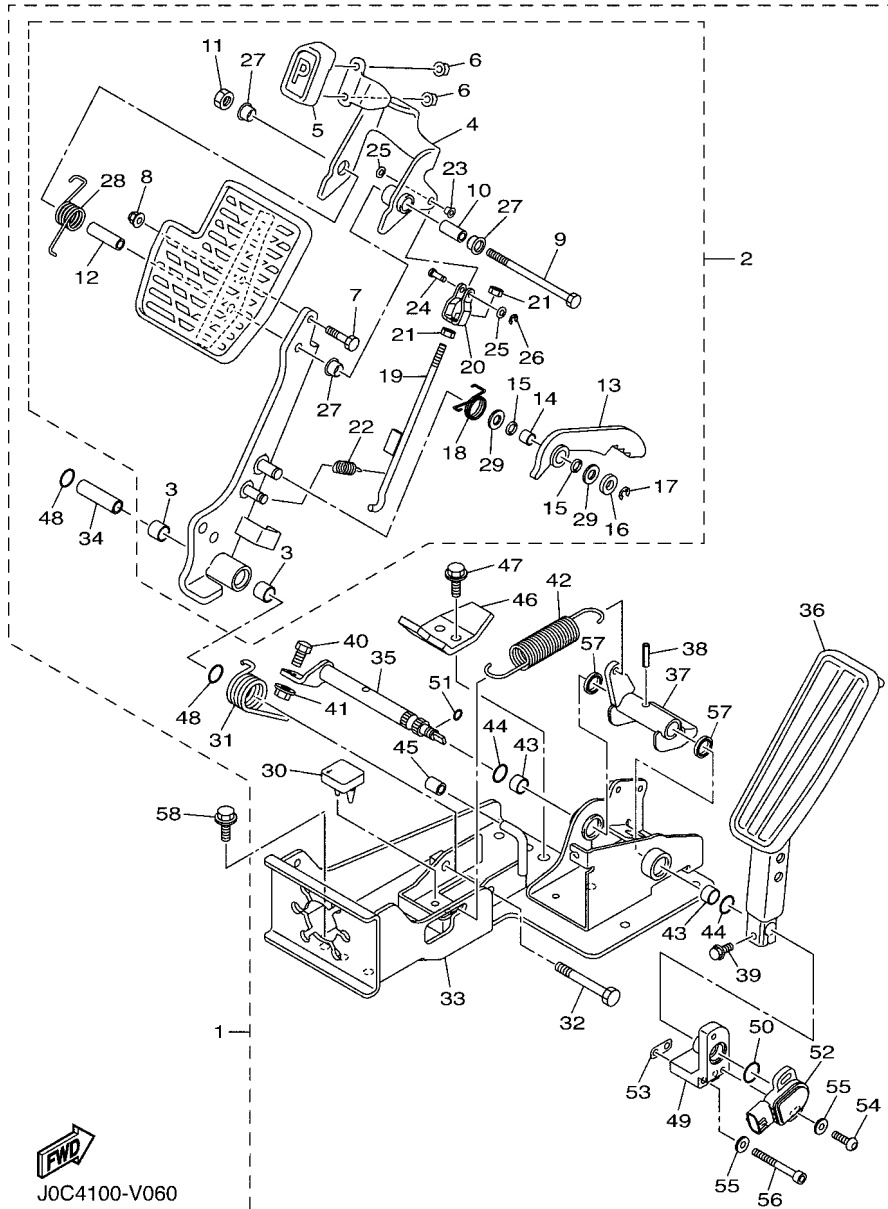
JW97110-R050



J0C4100-V060

FIG. 6 PEDAL ASSEMBLY

| REF. NO. | PART NO. | DESCRIPTION | J0J4 | REMARKS |
|----------|--------------|-------------------------|------|---------|
| 1 | J0H-F7850-20 | PEDAL ASSY (L.H) | 1 | |
| 2 | J0G-F7200-02 | .PEDAL, BRAKE | 1 | |
| 3 | JW8-F7814-21 | .BUSH, PEDAL | 2 | |
| 4 | J0G-F5671-00 | ..PEDAL, PARKING BRAKE | 1 | |
| 5 | J0G-F7854-00 | ..COVER, PEDAL | 1 | |
| 6 | 95607-06200 | ..NUT, SELF U-FLANGE | 2 | |
| 7 | 97012-06020 | ..BOLT | 1 | |
| 8 | JW8-F8363-00 | ..NUT | 1 | |
| 9 | J0G-F7416-00 | ..BOLT, FOOTREST | 1 | |
| 10 | JW8-F639N-00 | ..COLLAR | 1 | |
| 11 | J0G-F7218-00 | ..NUT | 1 | |
| 12 | J0G-F7313-00 | ..COLLAR | 1 | |
| 13 | JW9-F5666-00 | ..SECTOR, PARKING BRAKE | 1 | |
| 14 | JW8-F7121-00 | ..BUSH | 1 | |
| 15 | JW9-F7221-00 | ..SEAL, SHAFT | 2 | |
| 16 | JW8-F7322-00 | ..WASHER | 1 | |
| 17 | JW8-F3183-00 | ..CIRCLIP | 1 | |
| 18 | JW8-F7426-01 | ..SPRING, RETURN | 1 | |
| 19 | JW9-F7231-10 | ..ROD, BRAKE | 1 | |
| 20 | JW9-F7232-00 | ..END, ROD 2 | 1 | |
| 21 | JW8-F7318-00 | ..NUT | 2 | |
| 22 | JW8-F6314-00 | ..SPRING | 1 | |
| 23 | J0G-F7814-00 | ..BUSH, PEDAL | 1 | |
| 24 | JW9-F7228-00 | ..PIN, JOINT | 1 | |
| 25 | JW8-F8323-00 | ..WASHER, LEG SHIELD | 2 | |
| 26 | JW8-F5415-00 | ..CIRCLIP | 1 | |
| 27 | 90386-12800 | ..BUSH | 3 | |

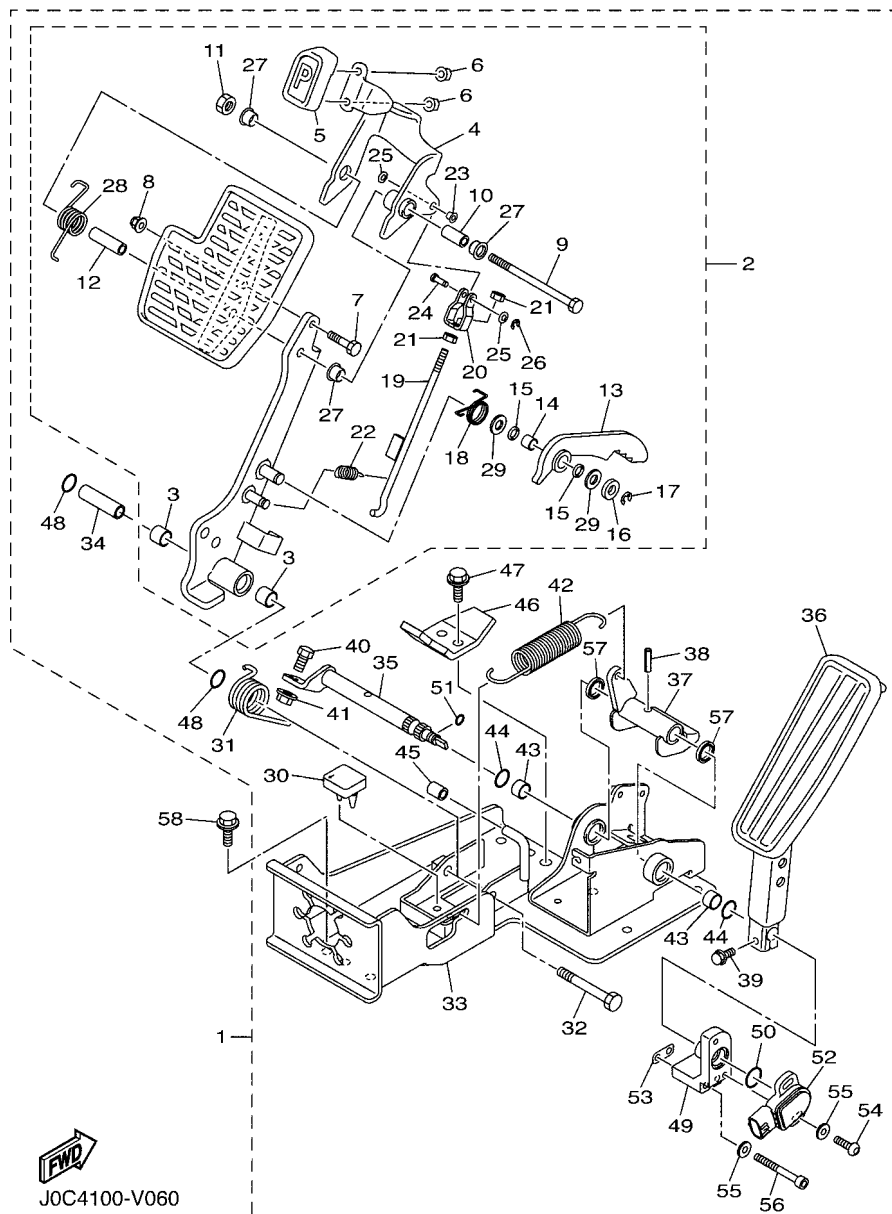


J0C4100-V060

FIG. 6 PEDAL ASSEMBLY

| REF. NO. | PART NO. | DESCRIPTION | J0J4 | REMARKS |
|----------|--------------|-------------------------|------|-----------|
| 28 | J0G-F7825-00 | .SPRING, RETURN | 1 | |
| 29 | JW8-F7119-00 | .WASHER | 2 | |
| 30 | JW9-F7245-10 | .PAD, BRAKE PEDAL | 1 | |
| 31 | JW8-F7316-01 | .SPRING, SIDE STAND | 1 | |
| 32 | JW8-F7217-00 | .BOLT | 1 | |
| 33 | J0H-F7445-10 | .PLATE 1 | 1 | |
| 34 | JW8-F7213-20 | .COLLAR | 1 | |
| 35 | J0H-F7853-10 | .SHAFT, PEDAL 1 | 1 | |
| 36 | J0G-F7871-01 | .PEDAL, ACCELERATOR | 1 | |
| 37 | J0H-F7872-00 | .ARM, ACCELERATOR PEDAL | 1 | |
| 38 | JW8-F7438-00 | .PIN, CLEVIS | 1 | |
| 39 | JW8-F7434-00 | .BOLT | 1 | |
| 40 | JW8-F7317-00 | .BOLT | 1 | |
| 41 | JW8-F7118-00 | .NUT | 1 | |
| 42 | J0G-F815H-10 | .SPRING | 1 | |
| 43 | J0G-F5922-00 | .WASHER | 2 | |
| 44 | JW8-F4486-00 | .O-RING | 2 | |
| 45 | JW9-F5673-00 | .DAMPER, BRAKE | 1 | |
| 46 | JW9-F7246-20 | .NAIL, BRAKE | 1 | |
| 47 | JW8-F8331-00 | .BOLT, LEG SHIELD | 2 | |
| 48 | JW8-F4486-00 | .O-RING | 2 | |
| 49 | JW9-F7263-00 | .BRACKET 1 | 1 | |
| 50 | JW9-F4648-20 | .O-RING | 1 | |
| 51 | JW8-F41B8-00 | .O-RING | 1 | |
| 52 | JW9-H5885-00 | .THROTTLE SENSOR ASSY | 1 | |
| 53 | JW9-F5827-00 | .SHIM, CALIPER | 1 | T: 0.5 MM |
| | JW9-F5827-10 | .SHIM, CALIPER | 1 | T: 0.9 MM |

FIG. 6 PEDAL ASSEMBLY



J0C4100-V060

| REF. NO. | PART NO. | DESCRIPTION | J0J4 | | | | REMARKS |
|----------|--------------|----------------|------|--|--|--|---------|
| 54 | JW9-F632G-00 | .SCREW | 2 | | | | |
| 55 | 90201-05824 | .WASHER, PLATE | 4 | | | | |
| 56 | JW8-F7435-00 | .BOLT | 2 | | | | |
| 57 | J0G-F3145-00 | .OIL SEAL | 2 | | | | |
| 58 | 95812-08020 | BOLT, FLANGE | 6 | | | | |
| <hr/> | | | | | | | |
| <hr/> | | | | | | | |
| <hr/> | | | | | | | |
| <hr/> | | | | | | | |
| <hr/> | | | | | | | |
| <hr/> | | | | | | | |
| <hr/> | | | | | | | |
| <hr/> | | | | | | | |
| <hr/> | | | | | | | |

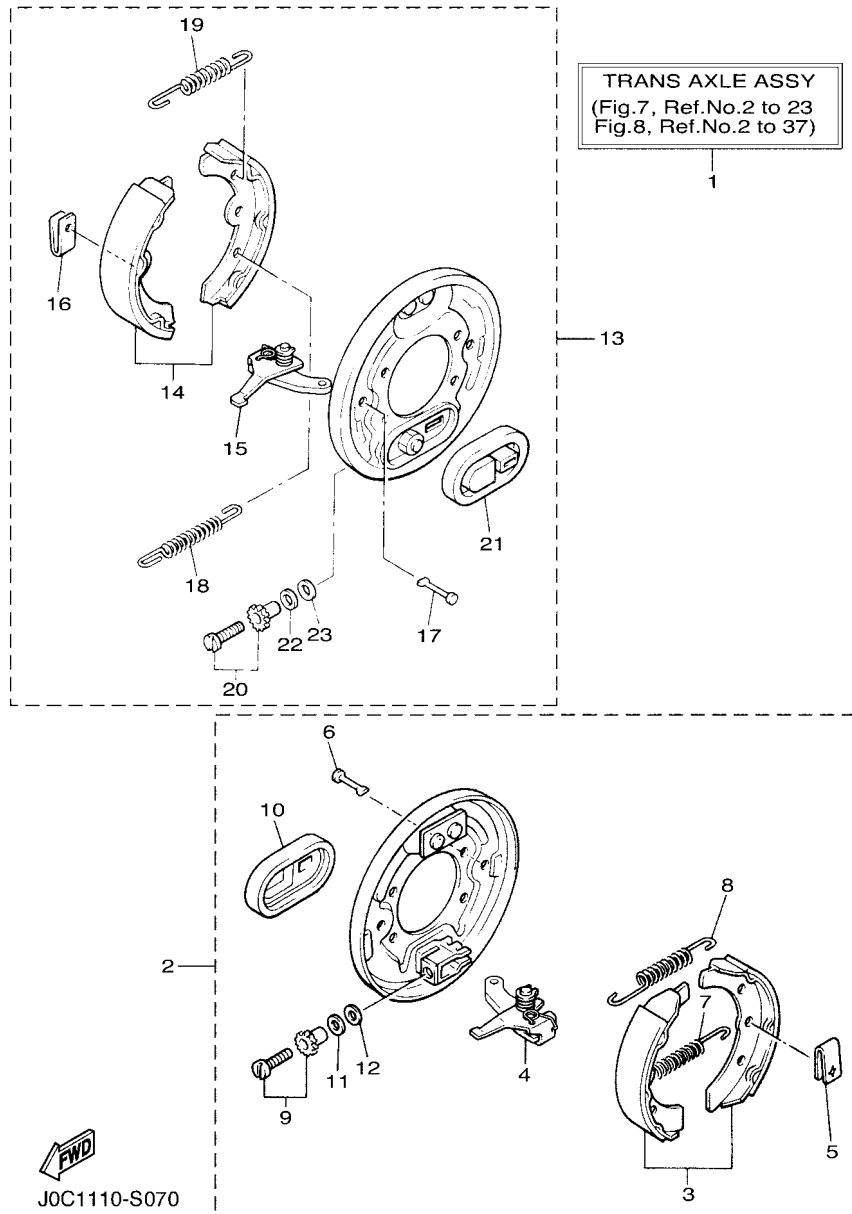
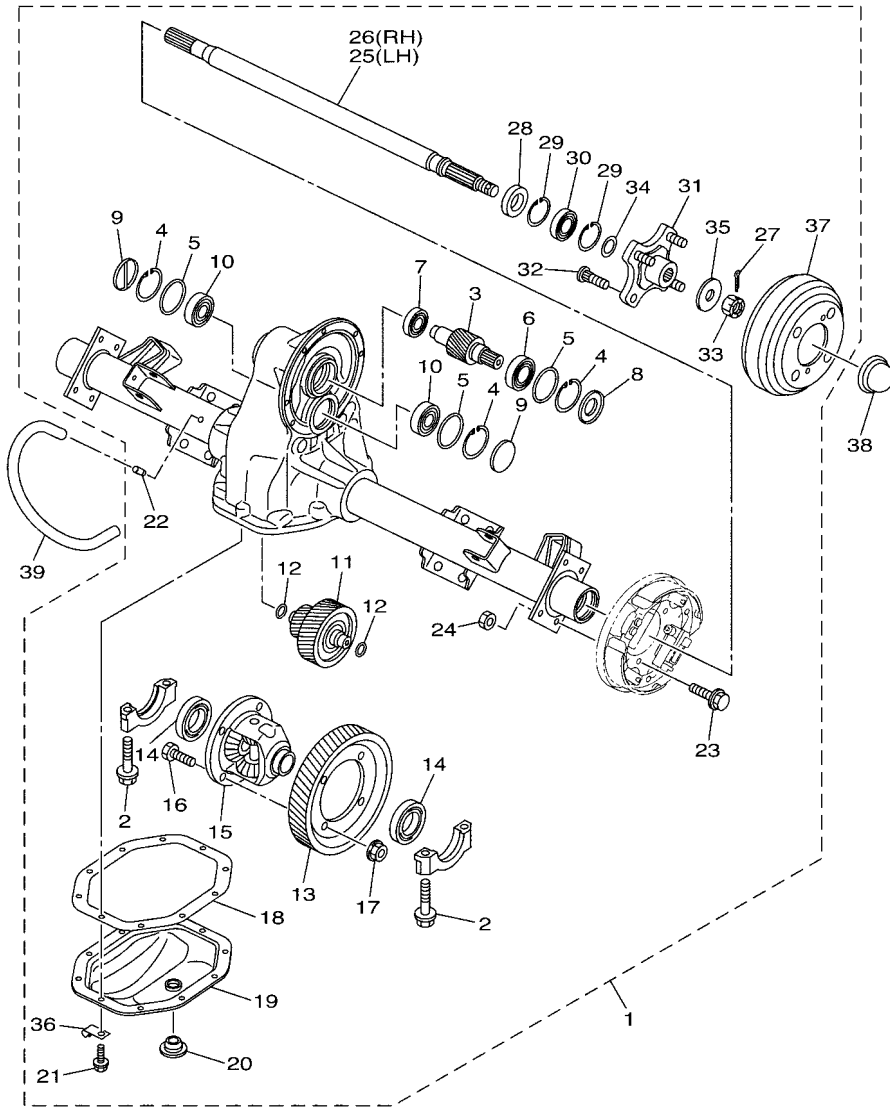


FIG. 7 BRAKE

| REF. NO. | PART NO. | DESCRIPTION | J0J4 | | | | REMARKS |
|----------|--------------|------------------------|------|--|--|--|---------|
| 1 | J0C-G6300-01 | TRANS AXLE ASSY | 1 | | | | |
| 2 | JW8-F7290-10 | ..BACKING PLATE ASSY 2 | 1 | | | | |
| 3 | JN9-W2536-11 | ..BRAKE SHOE SET | 1 | | | | |
| 4 | J38-27205-00 | ..LEVER ASSY 2 | 1 | | | | |
| 5 | JW8-F7281-00 | ..SPRING, SHOE CLAMP | 2 | | | | |
| 6 | J10-27282-00 | ..PIN, SHOE HOLD DOWN | 2 | | | | |
| 7 | 90506-20281 | ..SPRING, TENSION | 1 | | | | |
| 8 | 90506-14001 | ..SPRING, TENSION | 1 | | | | |
| 9 | J55-27260-00 | ..ADJUSTER ASSY | 1 | | | | |
| 10 | JW8-F7286-00 | ..COVER, DUST | 1 | | | | |
| 11 | 90201-121H9 | ..WASHER, PLATE | 1 | | | | |
| 12 | 90201-121H8 | ..WASHER, PLATE | 1 | | | | |
| 13 | JW8-F7280-10 | ..BACKING PLATE ASSY 1 | 1 | | | | |
| 14 | JN9-W2536-11 | ..BRAKE SHOE SET | 1 | | | | |
| 15 | J38-27204-00 | ..LEVER ASSY 1 | 1 | | | | |
| 16 | JW8-F7281-00 | ..SPRING, SHOE CLAMP | 2 | | | | |
| 17 | J10-27282-00 | ..PIN, SHOE HOLD DOWN | 2 | | | | |
| 18 | 90506-20281 | ..SPRING, TENSION | 1 | | | | |
| 19 | 90506-14001 | ..SPRING, TENSION | 1 | | | | |
| 20 | J55-27270-00 | ..ADJUSTER ASSY | 1 | | | | |
| 21 | JW8-F7286-00 | ..COVER, DUST | 1 | | | | |
| 22 | 90201-121H9 | ..WASHER, PLATE | 1 | | | | |
| 23 | 90201-121H8 | ..WASHER, PLATE | 1 | | | | |

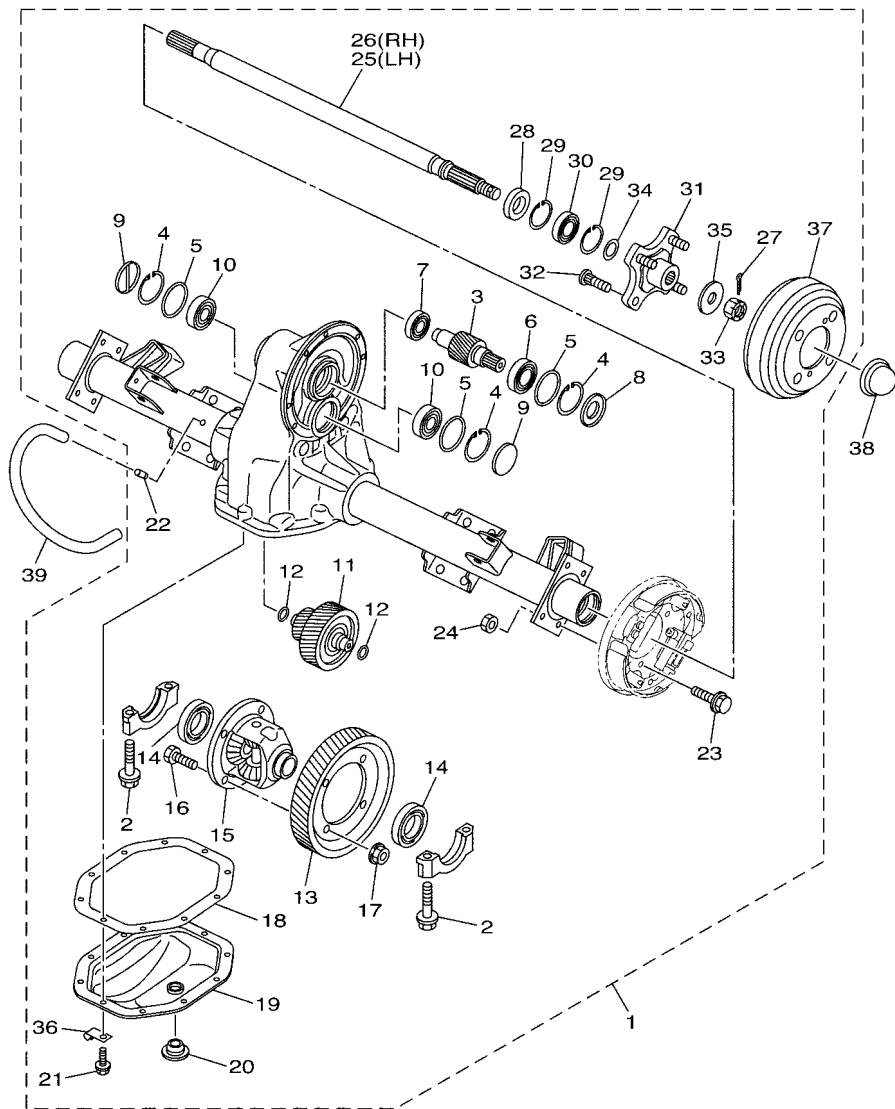


J0C1110-S080

FIG. 8 TRANSAXLE

| REF. NO. | PART NO. | DESCRIPTION | J0J4 | | | | REMARKS |
|----------|--------------|---------------------------|------|--|--|--|---------|
| 1 | J0C-G6300-01 | TRANS AXLE ASSY | 1 | | | | |
| 2 | 90105-10840 | .BOLT, FLANGE | 4 | | | | |
| 3 | JW9-G6321-00 | .SHAFT, INPUT | 1 | | | | |
| 4 | 93420-50804 | .CIRCLIP | 3 | | | | |
| 5 | 93210-478B8 | .O-RING | 3 | | | | |
| 6 | 93306-005Y1 | .BEARING | 1 | | | | |
| 7 | 93306-203X1 | .BEARING | 1 | | | | |
| 8 | JW9-G6136-00 | .SEAL 1 | 1 | | | | |
| 9 | JH7-G3396-01 | .PLUG, BLIND | 2 | | | | |
| 10 | 93306-303Y6 | .BEARING | 2 | | | | |
| 11 | JW9-G6350-00 | .COUNTER GEAR ASSY | 1 | | | | |
| 12 | 93210-148B9 | .O-RING | 2 | | | | |
| 13 | JW9-G6421-00 | .GEAR, RING | 1 | | | | |
| 14 | 93306-007Y0 | .BEARING | 2 | | | | |
| 15 | JW9-G6410-00 | .DIFFERENTIAL ASSY. | 1 | | | | |
| 16 | 90101-10854 | .BOLT | 4 | | | | |
| 17 | 90170-10840 | .NUT | 4 | | | | |
| 18 | JW9-G631A-00 | .GSKT., CASE | 1 | | | | |
| 19 | JW9-G6312-00 | .CASE, TRANSMISSION 2 | 1 | | | | |
| 20 | JN3-G6432-00 | .STOPPER | 1 | | | | |
| 21 | 90101-08856 | .BOLT | 10 | | | | |
| 22 | JW8-G5378-00 | .NIPPLE, HOSE | 1 | | | | |
| 23 | 90101-08855 | .BOLT | 8 | | | | |
| 24 | 90170-08841 | .NUT | 8 | | | | |
| 25 | JR1-G6511-00 | .SHAFT, REAR AXLE 1 (L.H) | 1 | | | | |
| 26 | JR1-G6512-00 | .SHAFT, REAR AXLE 2 (R.H) | 1 | | | | |
| 27 | 91490-30030 | .PIN. COTTER | 2 | | | | |

FIG. 8 TRANSAXLE

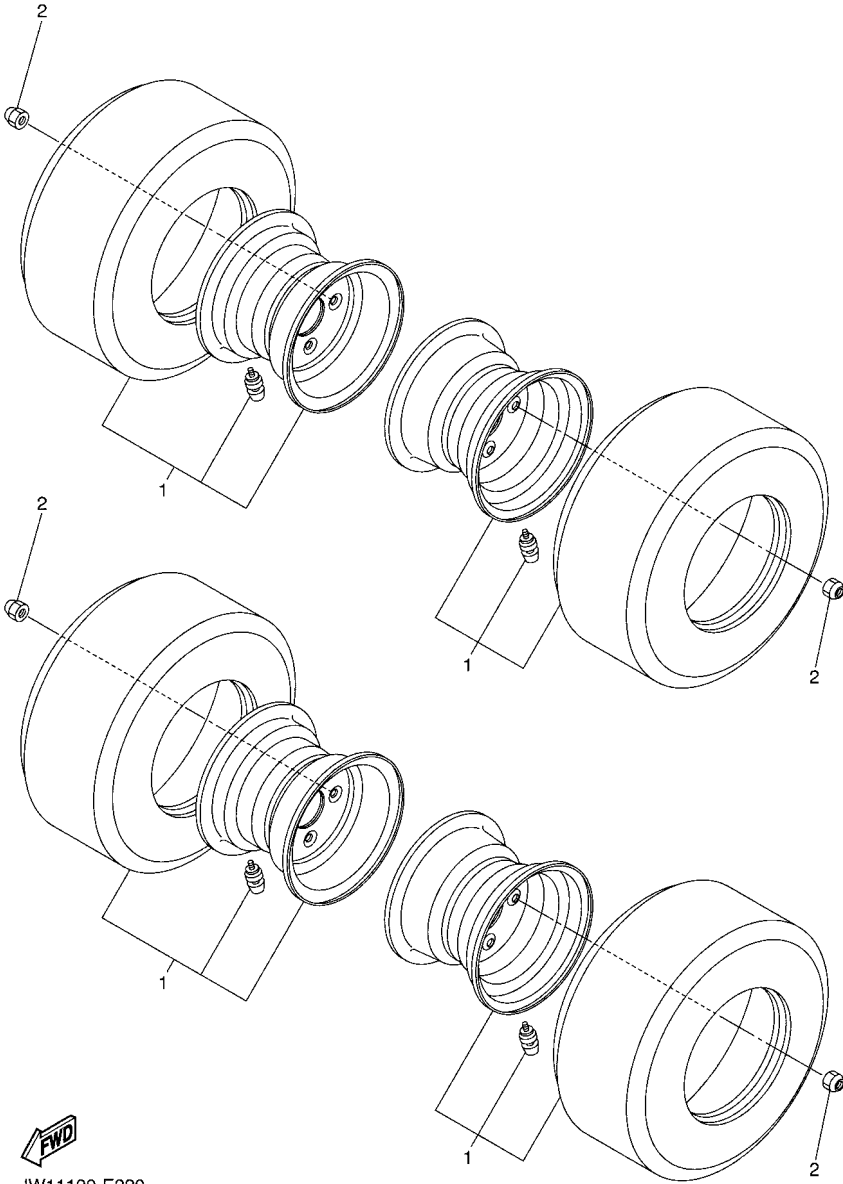


| REF. NO. | PART NO. | DESCRIPTION | J0J4 | REMARKS |
|----------|--------------|-------------------|------|---------|
| 28 | 93101-24822 | .OIL SEAL | 2 | |
| 29 | 93420-44805 | .CIRCLIP | 4 | |
| 30 | 93306-00440 | .BEARING | 2 | |
| 31 | JW8-G6514-00 | .HUB, REAR AXLE | 2 | |
| 32 | JW8-G4178-00 | .BOLT, STUD | 8 | |
| 33 | JW8-G5244-00 | .NUT | 2 | |
| 34 | JW8-G2535-00 | .WASHER, THRUST | 2 | |
| 35 | JW8-G2536-00 | .WASHER, THRUST 2 | 2 | |
| 36 | JW8-G2756-00 | .STAY, CLAMP | 1 | |
| 37 | JW8-G6521-00 | .DRUM | 2 | |
| 38 | JW8-F5118-00 | COVER, HUB DUST | 2 | |
| 39 | JW8-G2541-00 | PIPE 1 | 1 | |



J0C1110-S080

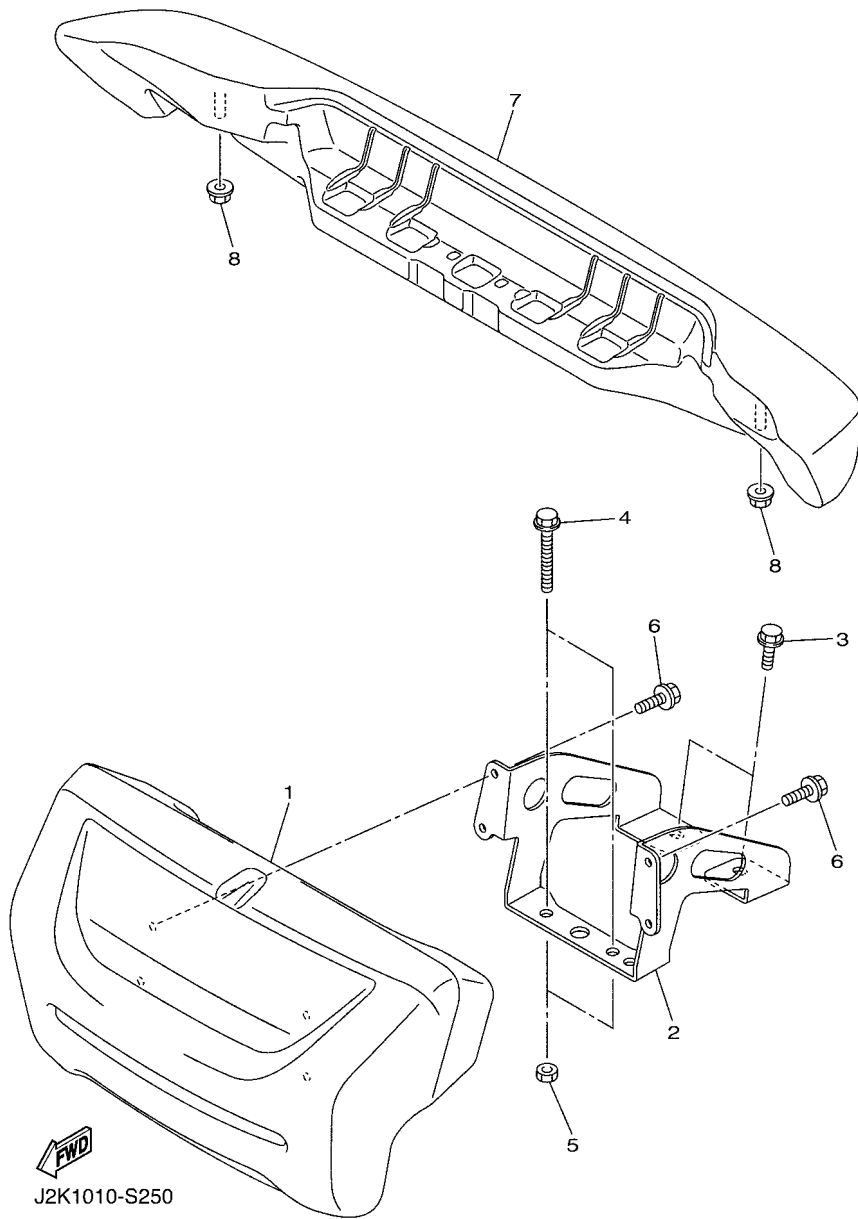
FIG. 9 WHEEL



JW11100-E220

| REF. NO. | PART NO. | DESCRIPTION | J0J4 | | | REMARKS |
|----------|--------------|-----------------------------|------|--|--|---------|
| 1 | JW1-F5100-01 | WHEEL ASSY (18X8.50-8-4PLY) | 4 | | | |
| 2 | 90179-12262 | NUT | 16 | | | |
| | | | | | | |
| | | | | | | |
| | | | | | | |
| | | | | | | |
| | | | | | | |
| | | | | | | |
| | | | | | | |
| | | | | | | |
| | | | | | | |
| | | | | | | |

FIG. 10 BUMPER



| REF. NO. | PART NO. | DESCRIPTION | J0J4 | | | | REMARKS |
|----------|--------------|--------------------------|------|--|--|--|---------|
| 1 | J0B-K7510-01 | FRONT BUMPER COMP. | 1 | | | | |
| 2 | J0B-K8164-00 | STAY, FRONT BUMPER (L.H) | 1 | | | | |
| 3 | 95812-08016 | BOLT, FLANGE | 2 | | | | |
| 4 | 95812-08050 | BOLT, FLANGE | 2 | | | | |
| 5 | 95302-08700 | NUT, HEXAGON | 2 | | | | |
| 6 | 95822-06012 | BOLT, FLANGE | 4 | | | | |
| 7 | J0B-K7540-00 | REAR BUMPER COMP. | 1 | | | | |
| 8 | 95602-10200 | NUT, S/L FLANGE | 2 | | | | |

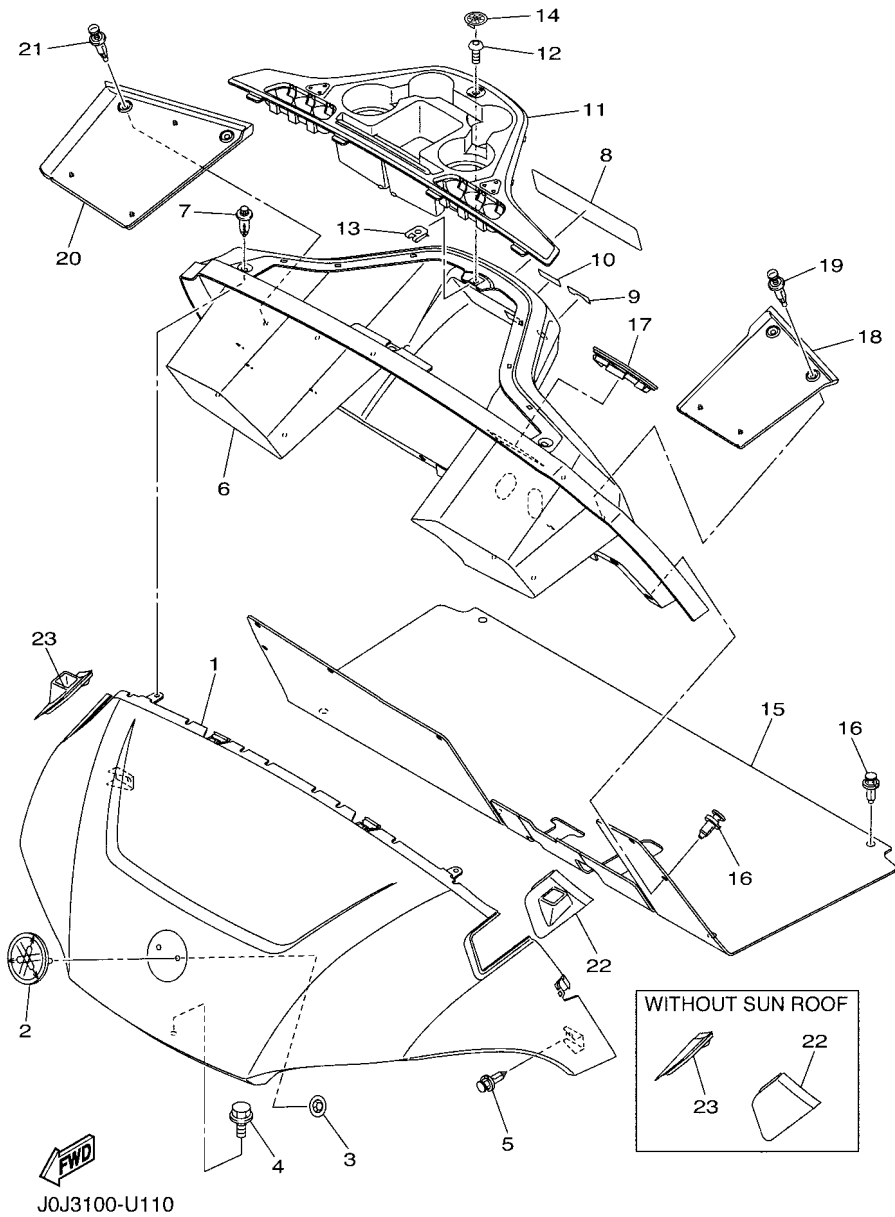


FIG. 11 BODY

| REF. NO. | PART NO. | DESCRIPTION | J0J4 | | REMARKS |
|----------|--------------|--------------------------|------|--|-------------------|
| 1 | J0B-K8115-A0 | COWL, FRONT | 1 | | UR FOR BW1 |
| | J0B-K8115-10 | COWL, FRONT | 1 | | UR FOR VDGS1 |
| | J0B-K8115-00 | COWL, FRONT | 1 | | UR FOR DNBME |
| | J0B-K8115-30 | COWL, FRONT | 1 | | UR FOR LNMP |
| | J0B-K8115-50 | COWL, FRONT | 1 | | UR FOR HTR |
| | J0B-K8115-60 | COWL, FRONT | 1 | | UR FOR DNMC |
| | J0B-K8115-R0 | COWL, FRONT | 1 | | UR FOR MDBM2 |
| | J0B-K8115-S0 | COWL, FRONT | 1 | | UR FOR NYM6 |
| | J0B-K8115-B0 | COWL, FRONT | 1 | | UR FOR NYS4 |
| 2 | J0B-F4161-00 | EMBLEM 1 | 1 | | |
| 3 | JU0-K7573-00 | NUT, SPECIAL | 2 | | |
| 4 | 90105-06831 | BOLT, FLANGE | 1 | | |
| 5 | 90269-06804 | RIVET | 2 | | |
| 6 | J0B-K8114-10 | PANEL, FRONT | 1 | | UR FOR CAN |
| | J0E-K8114-01 | PANEL, FRONT | 1 | | UR EXCEPT FOR CAN |
| 7 | 90269-08001 | RIVET | 3 | | |
| 8 | J0B-K7768-30 | LABEL, WARNING 8 | 1 | | UR ENGLISH |
| | J0B-K7768-40 | LABEL, WARNING 8 | 1 | | UR ENGLISH/FRENCH |
| | J0B-K7768-50 | LABEL, WARNING 8 | 1 | | UR GERMAN |
| | J0B-K7768-60 | LABEL, WARNING 8 | 1 | | UR SPANISH |
| 9 | J0B-K8282-00 | PLATE, SWITCH PANEL | 1 | | |
| 10 | J0C-K7741-00 | INDICATOR 1 | 1 | | |
| 11 | J0B-K835E-00 | HOLDER, BEVERAGE | 1 | | |
| 12 | 90111-05805 | BOLT, HEX. SOCKET BUTTON | 1 | | |
| 13 | 90183-05008 | NUT, SPRING | 1 | | |
| 14 | J0B-H2370-00 | PLUG CAP ASSY | 1 | | |
| 15 | J0B-K8233-00 | MAT, MAIN FLOOR 3 | 1 | | |

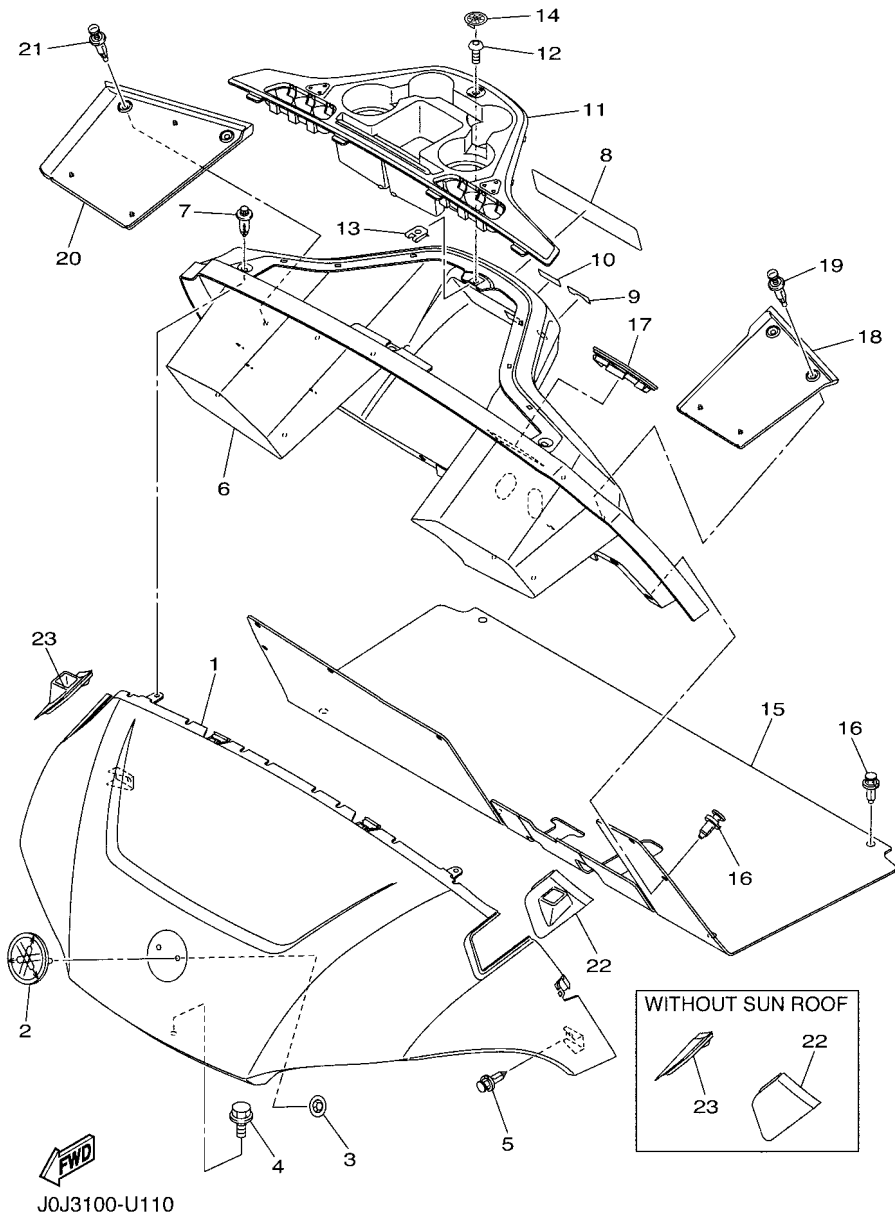
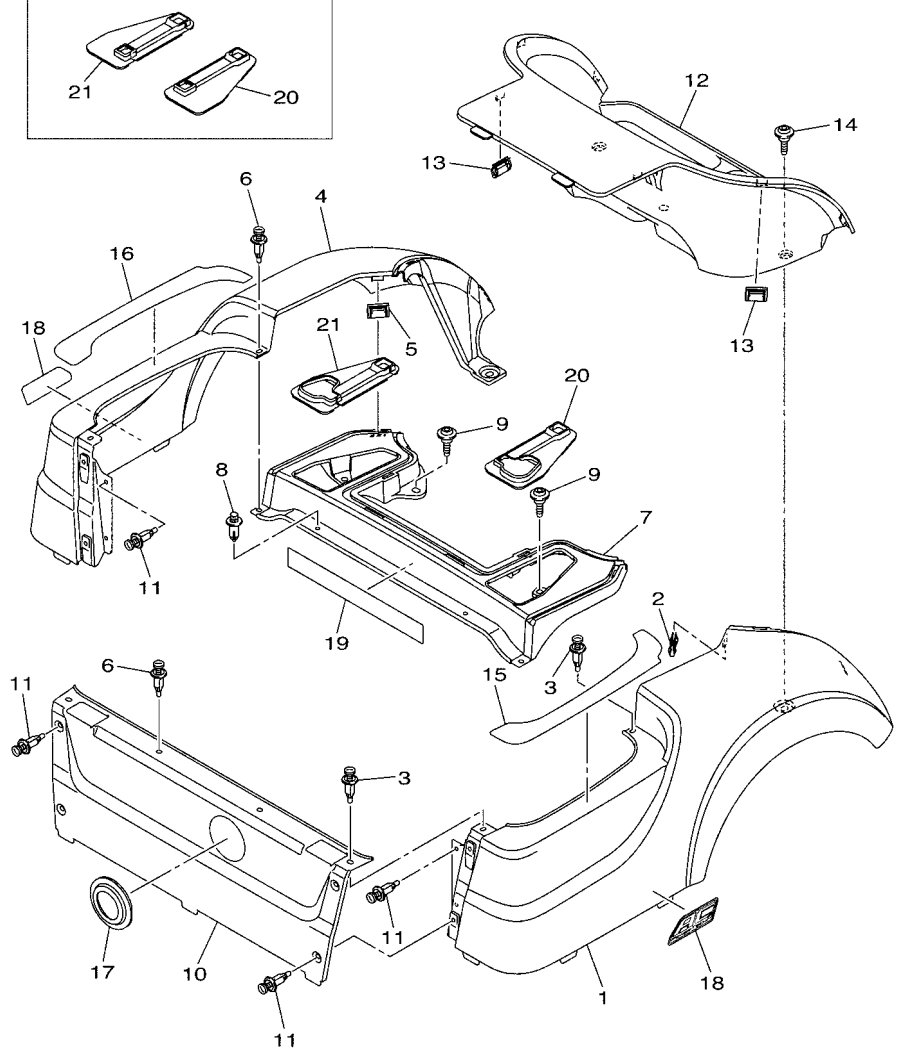


FIG. 11 BODY

| REF. NO. | PART NO. | DESCRIPTION | J0J4 | | | REMARKS |
|----------|--------------|--------------------------|------|--|--|------------------|
| 16 | 90269-09003 | RIVET | 12 | | | |
| 17 | J0B-K8273-10 | COVER, HOLE | 1 | | | |
| 18 | J0B-K8243-00 | MAT, REAR BODY SIDE (LH) | 1 | | | |
| 19 | 90269-07805 | RIVET | 2 | | | |
| 20 | J0B-K8244-00 | MAT, REAR BODY SIDE (RH) | 1 | | | |
| 21 | 90269-07805 | RIVET | 2 | | | |
| 22 | J1B-K832F-00 | GROMMET, ROOF SUPPORT 1 | 1 | | | WITH SUN ROOF |
| | J0B-K832F-00 | GROMMET, ROOF SUPPORT 1 | 1 | | | WITHOUT SUN ROOF |
| 23 | J1B-K832G-00 | GROMMET, ROOF SUPPORT 2 | 1 | | | WITH SUN ROOF |
| | J0B-K832G-00 | GROMMET, ROOF SUPPORT 2 | 1 | | | WITHOUT SUN ROOF |

WITHOUT SUN ROOF

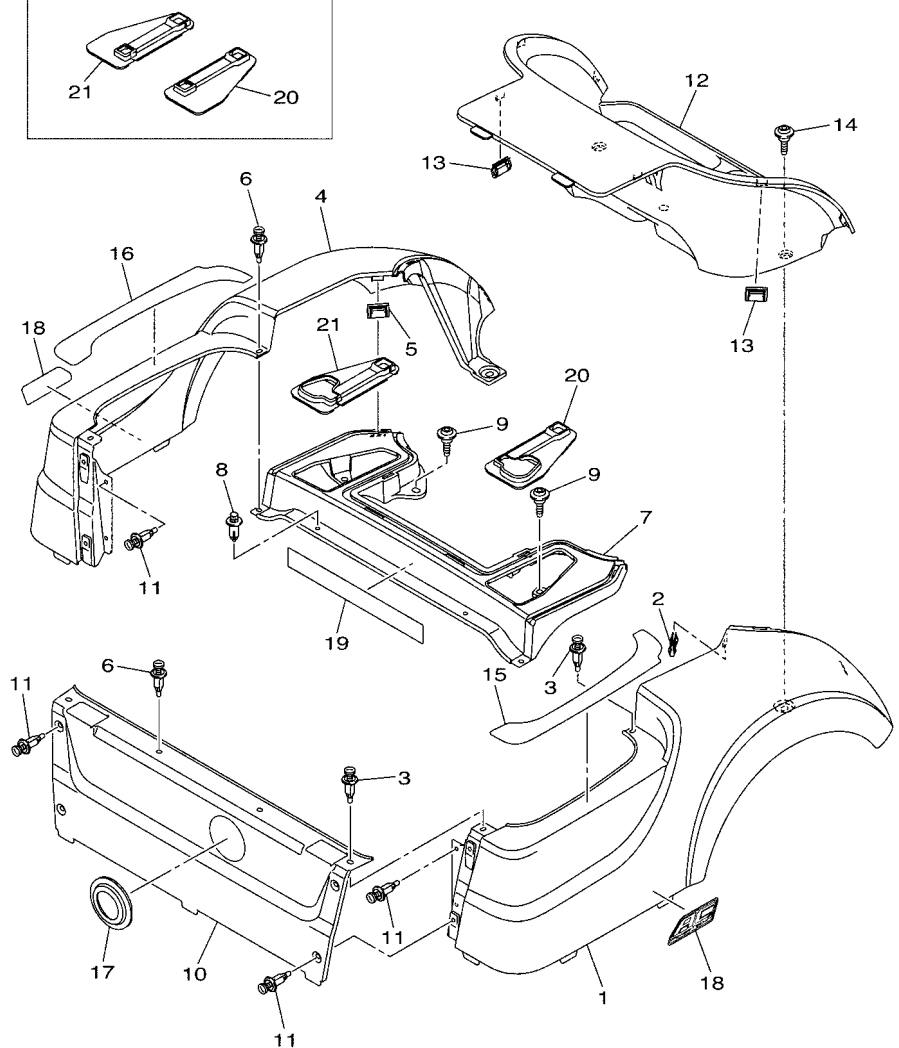


J0J1100-S120

FIG. 12 BODY 2

| REF. NO. | PART NO. | DESCRIPTION | J0J4 | REMARKS |
|----------|--------------|--------------------------|------|--------------|
| 1 | J0B-K8111-A0 | PANEL, BODY SHELL | 1 | UR FOR BW1 |
| | J0B-K8111-10 | PANEL, BODY SHELL | 1 | UR FOR VDGS1 |
| | J0B-K8111-00 | PANEL, BODY SHELL | 1 | UR FOR DNBME |
| | J0B-K8111-30 | PANEL, BODY SHELL | 1 | UR FOR LNMP |
| | J0B-K8111-50 | PANEL, BODY SHELL | 1 | UR FOR HTR |
| | J0B-K8111-60 | PANEL, BODY SHELL | 1 | UR FOR DNMC |
| | J0B-K8111-R0 | PANEL, BODY SHELL | 1 | UR FOR MDBM2 |
| | J0B-K8111-S0 | PANEL, BODY SHELL | 1 | UR FOR NYM6 |
| | J0B-K8111-B0 | PANEL, BODY SHELL | 1 | UR FOR NYS4 |
| 2 | J0B-F3447-00 | CLIP | 1 | |
| 3 | 90269-07805 | RIVET | 3 | |
| 4 | J0B-K8112-A0 | PANEL, BODY SHELL | 1 | UR FOR BW1 |
| | J0B-K8112-10 | PANEL, BODY SHELL | 1 | UR FOR VDGS1 |
| | J0B-K8112-00 | PANEL, BODY SHELL | 1 | UR FOR DNBME |
| | J0B-K8112-30 | PANEL, BODY SHELL | 1 | UR FOR LNMP |
| | J0B-K8112-50 | PANEL, BODY SHELL | 1 | UR FOR HTR |
| | J0B-K8112-60 | PANEL, BODY SHELL | 1 | UR FOR DNMC |
| | J0B-K8112-R0 | PANEL, BODY SHELL | 1 | UR FOR MDBM2 |
| | J0B-K8112-S0 | PANEL, BODY SHELL | 1 | UR FOR NYM6 |
| | J0B-K8112-B0 | PANEL, BODY SHELL | 1 | UR FOR NYS4 |
| 5 | J0B-F3447-00 | CLIP | 1 | |
| 6 | 90269-07805 | RIVET | 3 | |
| 7 | J0B-K819H-00 | SHELL, REAR BODY | 1 | |
| 8 | JW7-K7329-00 | RIVET | 2 | |
| 9 | J0B-F1738-00 | BOLT | 4 | |
| 10 | J0C-K8141-A0 | PANEL, INTERMEDIATE BODY | 1 | UR FOR BW1 |
| | J0C-K8141-10 | PANEL, INTERMEDIATE BODY | 1 | UR FOR VDGS1 |

WITHOUT SUN ROOF

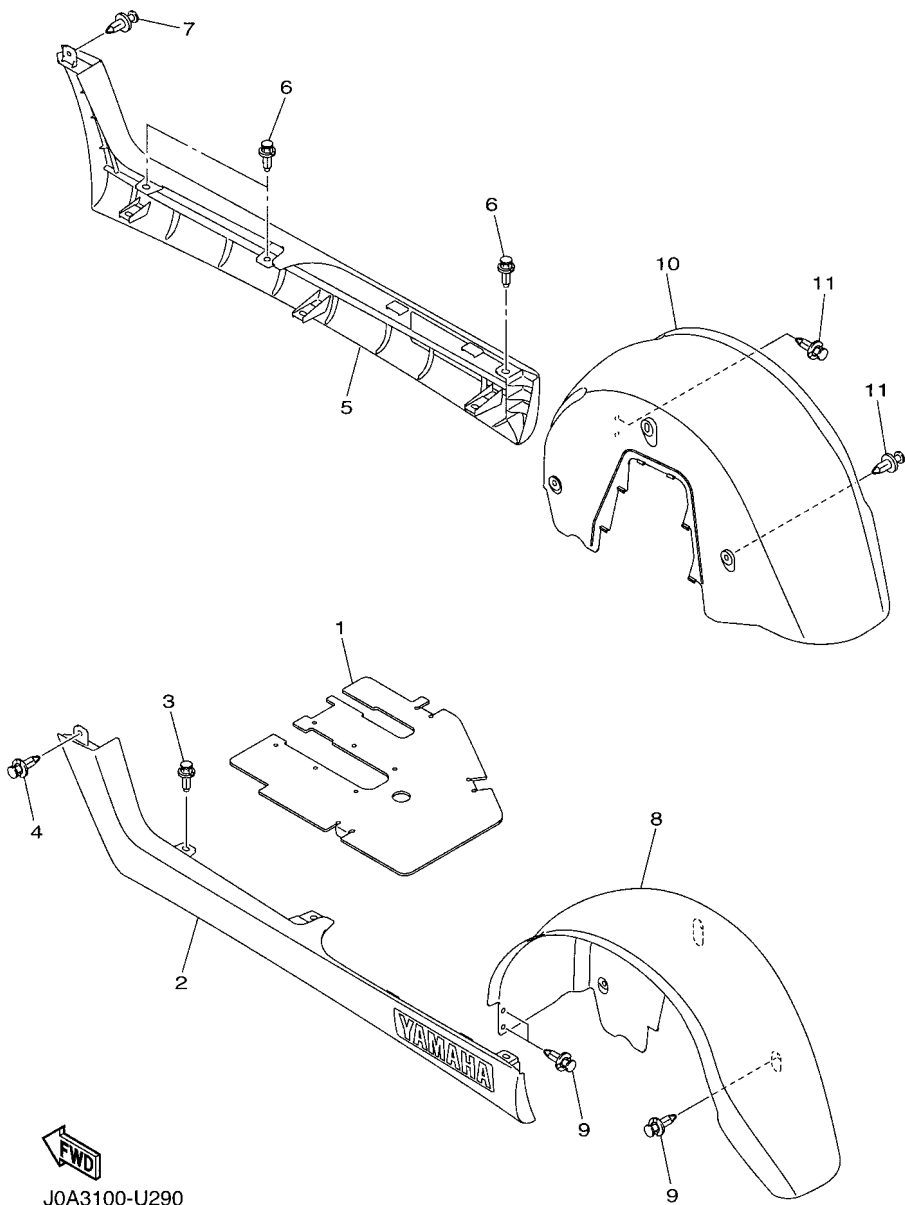


J0J1100-S120

FIG. 12 BODY 2

| REF. NO. | PART NO. | DESCRIPTION | J0J4 | | | REMARKS |
|----------|--------------|--------------------------|------|--|--|-------------------|
| 10 | J0B-K8141-00 | PANEL, INTERMEDIATE BODY | 1 | | | UR FOR DNBME |
| | J0C-K8141-30 | PANEL, INTERMEDIATE BODY | 1 | | | UR FOR LNMP |
| | J0C-K8141-50 | PANEL, INTERMEDIATE BODY | 1 | | | UR FOR HTR |
| | J0C-K8141-60 | PANEL, INTERMEDIATE BODY | 1 | | | UR FOR DNMC |
| | J0C-K8141-R0 | PANEL, INTERMEDIATE BODY | 1 | | | UR FOR MDBM2 |
| | J0C-K8141-S0 | PANEL, INTERMEDIATE BODY | 1 | | | UR FOR NYM6 |
| | J0C-K8141-B0 | PANEL, INTERMEDIATE BODY | 1 | | | UR FOR NYS4 |
| 11 | 90269-07805 | RIVET | 8 | | | |
| 12 | J0B-K8237-02 | COVER, REAR FLOOR | 1 | | | FOR 2 BAGS |
| 13 | J0B-F3447-00 | CLIP | 4 | | | |
| 14 | J0B-F1738-00 | BOLT | 2 | | | |
| 15 | J0B-F2873-01 | SEAL 1 | 1 | | | |
| 16 | J0B-F2874-01 | SEAL 2 | 1 | | | |
| 17 | J0C-K827A-00 | GUIDE 1 | 1 | | | |
| 18 | J0J-F1781-00 | EMBLEM 1 | 2 | | | |
| 19 | JW9-K8297-01 | PLATE, CAUTION 1 | 1 | | | UR ENGLISH/FRENCH |
| | JW9-K8297-11 | PLATE, CAUTION 1 | 1 | | | UR GERMAN/SPANISH |
| 20 | J0B-K817H-10 | TRIM, SIDE PANEL 1 | 1 | | | WITH SUN ROOF |
| | J0B-K817H-00 | TRIM, SIDE PANEL 1 | 1 | | | WITHOUT SUN ROOF |
| 21 | J0B-K817J-10 | TRIM, SIDE PANEL 2 | 1 | | | WITH SUN ROOF |
| | J0B-K817J-00 | TRIM, SIDE PANEL 2 | 1 | | | WITHOUT SUN ROOF |

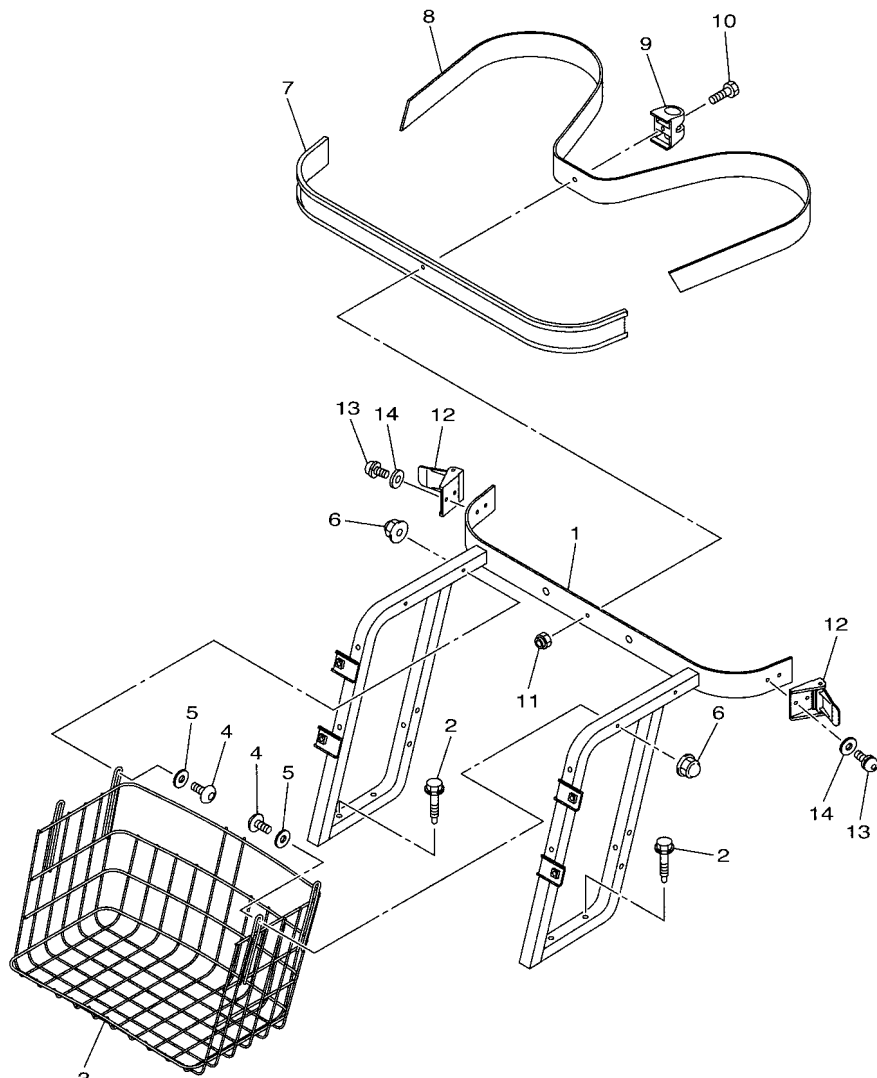
FIG. 13 BODY FITTING



J0A3100-U290

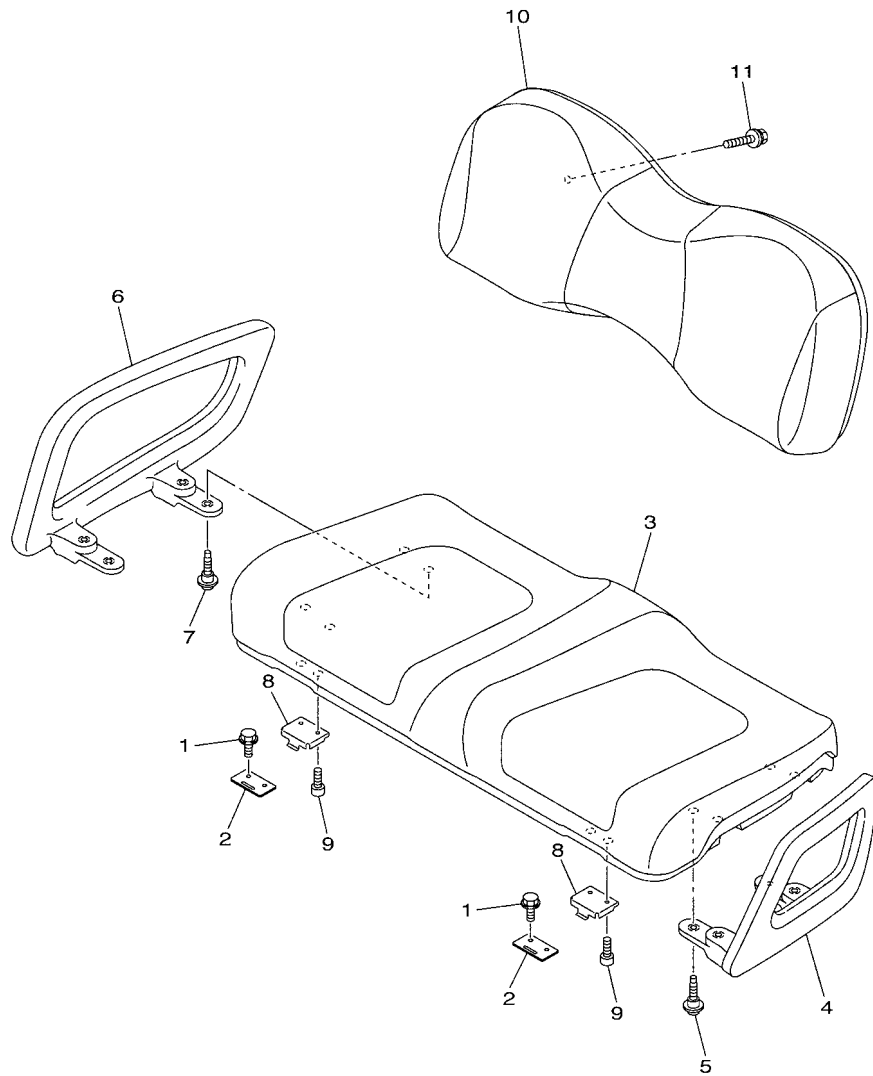
| REF. NO. | PART NO. | DESCRIPTION | J0J4 | | | | REMARKS |
|----------|--------------|-------------------------|------|--|--|--|---------|
| 1 | J0B-K8271-01 | SERVICE LID, PEDAL | 1 | | | | |
| 2 | J0B-K818A-00 | PROTECTOR, SIDE PLATE | 1 | | | | |
| 3 | 90269-09003 | RIVET | 3 | | | | |
| 4 | 90269-06804 | RIVET | 1 | | | | |
| 5 | J0B-K818B-00 | PROTECTOR, SIDE PLATE 2 | 1 | | | | |
| 6 | 90269-09003 | RIVET | 3 | | | | |
| 7 | 90269-06804 | RIVET | 1 | | | | |
| 8 | J0B-K8191-00 | PANEL, REAR FENDER 1 | 1 | | | | |
| 9 | 90269-06804 | RIVET | 5 | | | | |
| 10 | J0B-K8192-00 | PANEL, REAR FENDER 2 | 1 | | | | |
| 11 | 90269-06804 | RIVET | 5 | | | | |

FIG. 14 CARRIER



J0B1110-S280

| REF. NO. | PART NO. | DESCRIPTION | J0J4 | | | | REMARKS |
|----------|--------------|--------------------------|------|--|--|--|---------|
| 1 | J0B-K8423-00 | SUPPORT, SEAT BACK | 1 | | | | |
| 2 | 90109-08178 | BOLT | 4 | | | | |
| 3 | JW1-K8340-00 | LUGGAGE RACK ASSY., REAR | 1 | | | | |
| 4 | 92017-06040 | BOLT, BUTTON HEAD | 4 | | | | |
| 5 | J0B-K7389-00 | WASHER | 4 | | | | |
| 6 | 90176-06008 | NUT, CROWN | 4 | | | | |
| 7 | JF2-K8356-00 | PAD, BAG SUPPORT | 1 | | | | |
| 8 | JN6-K8355-20 | BAND | 1 | | | | |
| 9 | JW1-K834G-00 | HOLDER, RAKE SAND | 1 | | | | |
| 10 | 9708R-06020 | BOLT | 1 | | | | |
| 11 | 90185-06836 | NUT, SELF-LOCKING | 1 | | | | |
| 12 | JN6-K8380-00 | LOCK ASSY | 2 | | | | |
| 13 | 90159-06845 | SCREW, WITH WASHER | 4 | | | | |
| 14 | 9299R-06200 | WASHER | 4 | | | | |

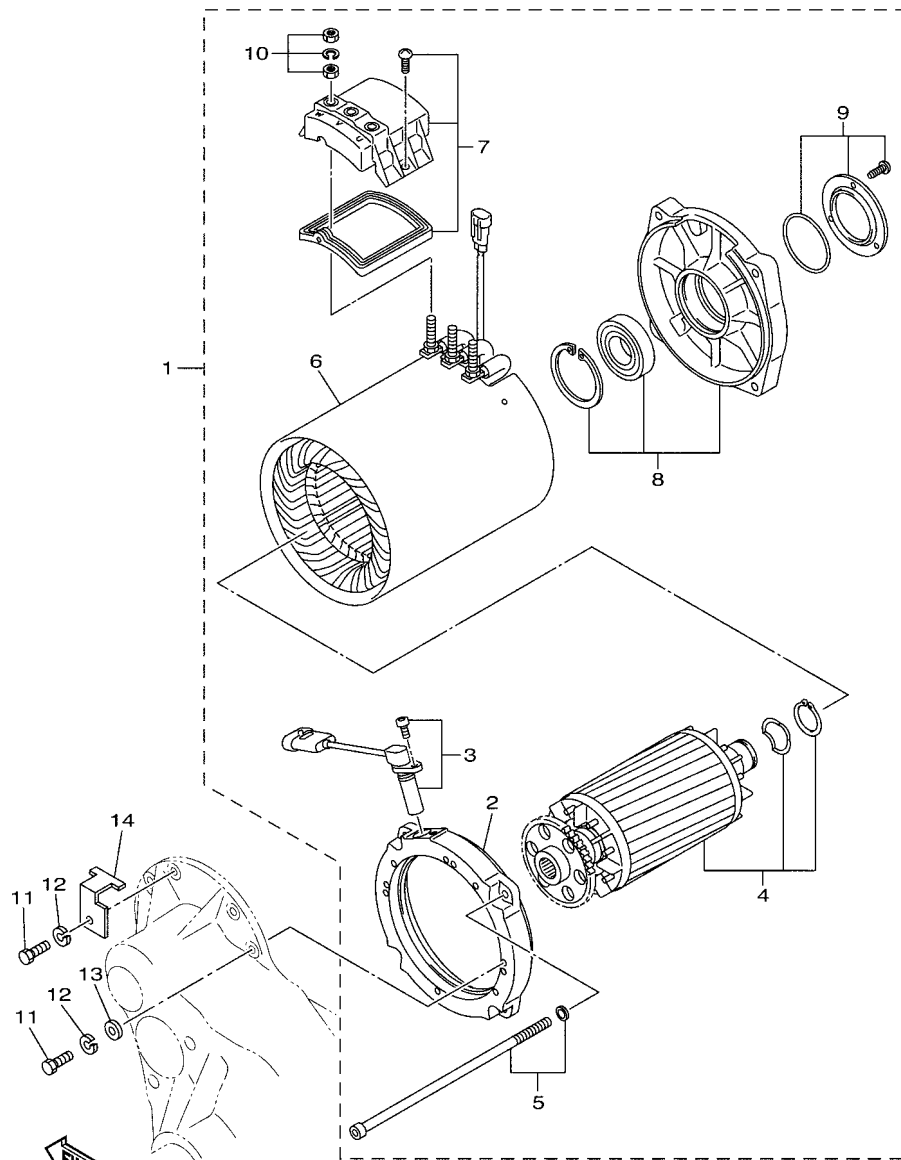


J0B1110-S290

FIG. 15 SEAT

| REF. NO. | PART NO. | DESCRIPTION | J0J4 | | | | REMARKS |
|----------|--------------|---------------------------|------|--|--|--|---------|
| 1 | JW9-H1674-00 | BOLT | 4 | | | | |
| 2 | JW1-K8427-00 | HINGE, SEAT 2 | 2 | | | | |
| 3 | J0A-K8401-10 | SEAT SUB-ASSY,CUSHION | 1 | | | | |
| 4 | J0B-K8361-00 | ARM REST 1 | 1 | | | | |
| 5 | J0B-F1738-00 | BOLT | 4 | | | | |
| 6 | J0B-K8362-00 | ARM REST 2 | 1 | | | | |
| 7 | J0B-F1738-00 | BOLT | 4 | | | | |
| 8 | J0B-K8426-01 | HINGE, SEAT 1 | 2 | | | | |
| 9 | 90110-06125 | BOLT, HEXAGON SOCKET HEAD | 4 | | | | |
| 10 | JW1-K8402-10 | SEAT SUB ASSY, BACK | 1 | | | | |
| 11 | 90119-06808 | BOLT, WITH WASHER | 4 | | | | |

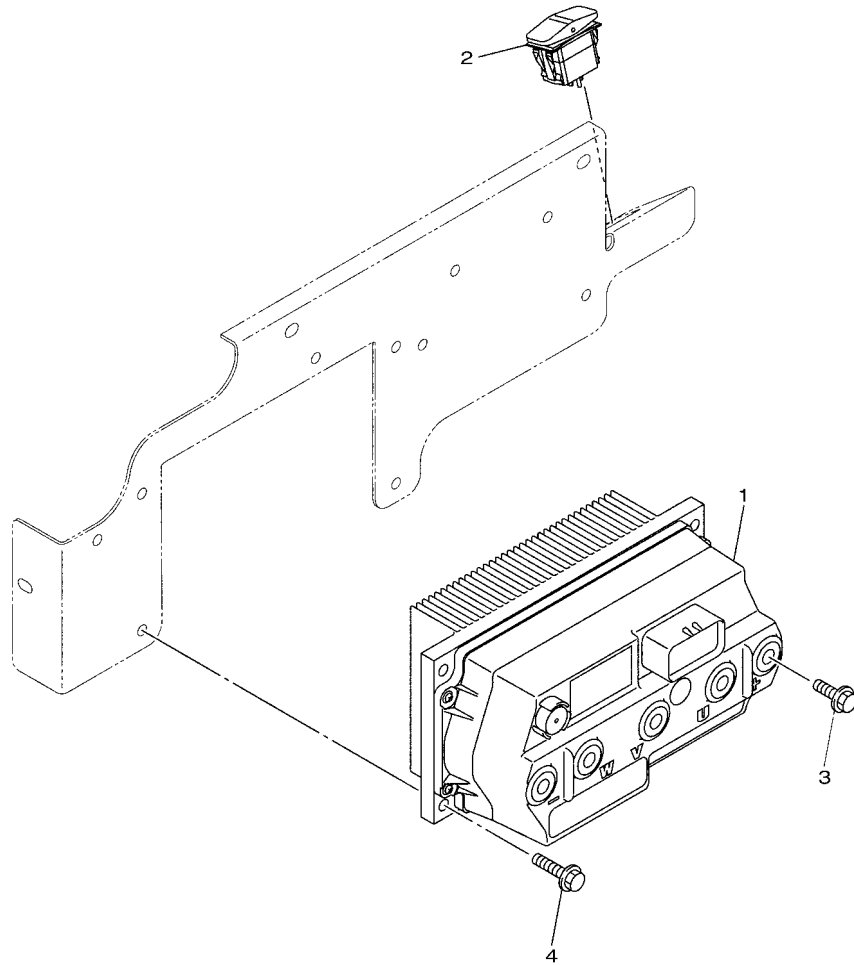
FIG. 16 ELECTRIC MOTOR



J0H1100-U170

| REF. NO. | PART NO. | DESCRIPTION | J0J4 | | | | REMARKS |
|----------|--------------|-------------------|------|--|--|--|---------|
| 1 | JW3-H1890-10 | MOTOR ASSY | 1 | | | | |
| 2 | JW3-H183J-00 | .BRACKET, FRONT | 1 | | | | |
| 3 | JW3-H3756-00 | .SENSOR, UNIT | 1 | | | | |
| 4 | JW3-H1155-00 | .ARMATURE | 1 | | | | |
| 5 | JW3-H2379-00 | .SCREW, UNIT | 1 | | | | |
| 6 | JW3-H1117-10 | .STATOR | 1 | | | | |
| 7 | JW3-H165G-00 | .PLTE, TERMINAL | 1 | | | | |
| 8 | JW3-H182J-00 | .BRACKET COMPLETE | 1 | | | | |
| 9 | JW3-H1869-00 | .COVER, DUST | 1 | | | | |
| 10 | JW3-H182V-00 | .NUT & WASHER KIT | 1 | | | | |
| 11 | 90101-069U0 | BOLT | 3 | | | | |
| 12 | 90215-06811 | WASHER, LOCK | 3 | | | | |
| 13 | 90201-068E2 | WASHER, PLATE | 2 | | | | |
| 14 | JU2-H218E-01 | RELIEF, STRAIN 1 | 1 | | | | |

FIG. 17 CONTROLLER 1



JC18110-P190

| REF. NO. | PART NO. | DESCRIPTION | J0J4 | | | | REMARKS |
|----------|--------------|-------------------------|------|--|--|--|---------|
| 1 | JC3-86510-10 | MOTOR CONTROL UNIT ASSY | 1 | | | | |
| 2 | JW2-H2727-00 | SWITCH | 1 | | | | |
| 3 | 97527-08516 | BOLT, WITH WASHER | 5 | | | | |
| 4 | 90105-06833 | BOLT, FLANGE | 4 | | | | |
| | | | | | | | |
| | | | | | | | |
| | | | | | | | |
| | | | | | | | |
| | | | | | | | |
| | | | | | | | |
| | | | | | | | |
| | | | | | | | |
| | | | | | | | |
| | | | | | | | |

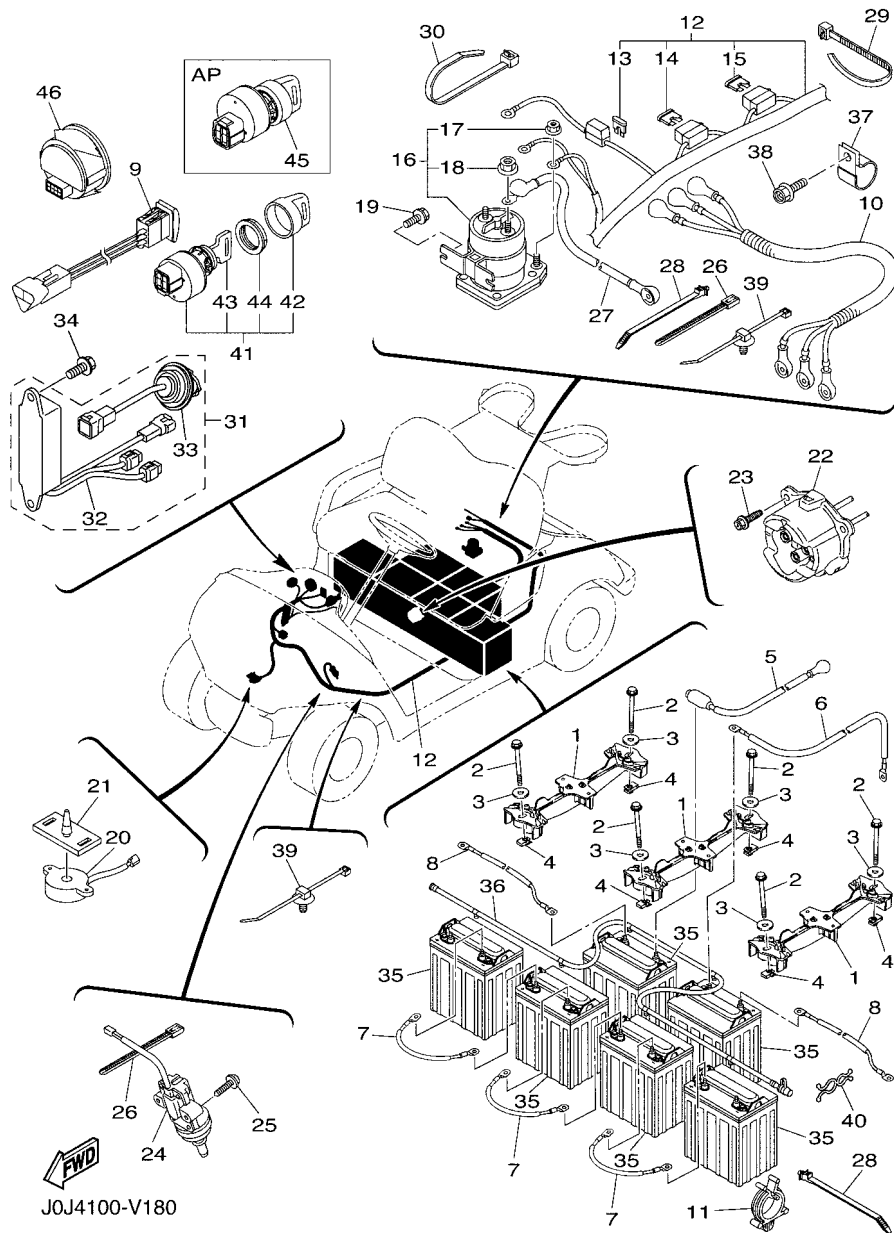


FIG. 18 ELECTRICAL 1

| REF. NO. | PART NO. | DESCRIPTION | J0J4 | REMARKS |
|----------|--------------|-----------------------------|------|---------|
| 1 | JW9-H2136-00 | PLATE, BATTERY FITTING | 3 | |
| 2 | JW9-H1892-00 | BOLT, SPECIAL | 6 | |
| 3 | 90201-08310 | WASHER, PLATE | 6 | |
| 4 | JW9-K811K-00 | NUT, TRIM FITTING | 6 | |
| 5 | JC1-H2115-00 | WIRE, PLUS LEAD | 1 | |
| 6 | JC1-H2116-00 | WIRE, MINUS LEAD | 1 | |
| 7 | JC1-H2127-00 | WIRE, LEAD 2 | 3 | |
| 8 | JC1-H2149-00 | WIRE, LEAD 3 | 2 | |
| 9 | JU2-H2917-00 | SWITCH | 1 | |
| 10 | JC1-H1441-00 | LEAD WIRE ASSY | 1 | |
| 11 | 90464-25826 | CLAMP | 3 | |
| 12 | J0J-H2590-10 | WIRE HARNESS ASSY | 1 | |
| 13 | J0C-H2151-00 | .FUSE (5A) | 1 | |
| 14 | JR1-H2151-00 | .FUSE (3A) | 1 | |
| 15 | J0E-H2151-10 | .FUSE (1A) | 1 | |
| 16 | JU6-H1950-00 | RELAY ASSY | 1 | |
| 17 | 90179-05807 | .NUT | 2 | |
| 18 | 90179-08824 | .NUT | 2 | |
| 19 | 90105-06831 | BOLT, FLANGE | 2 | |
| 20 | JR1-H3383-02 | BUZZER | 1 | |
| 21 | JN6-H3386-01 | STAY, BUZZER | 1 | |
| 22 | JW9-H6181-00 | RECEPTACLE | 1 | |
| 23 | JW1-F3394-00 | BOLT, SPECIAL | 3 | |
| 24 | JF7-82817-22 | SWITCH | 1 | |
| 25 | 97602-05225 | SCREW, PAN HEAD WITH WASHER | 2 | |
| 26 | 90464-40825 | CLAMP | 2 | |
| 27 | J0E-H6527-00 | WIRE 7 | 1 | |

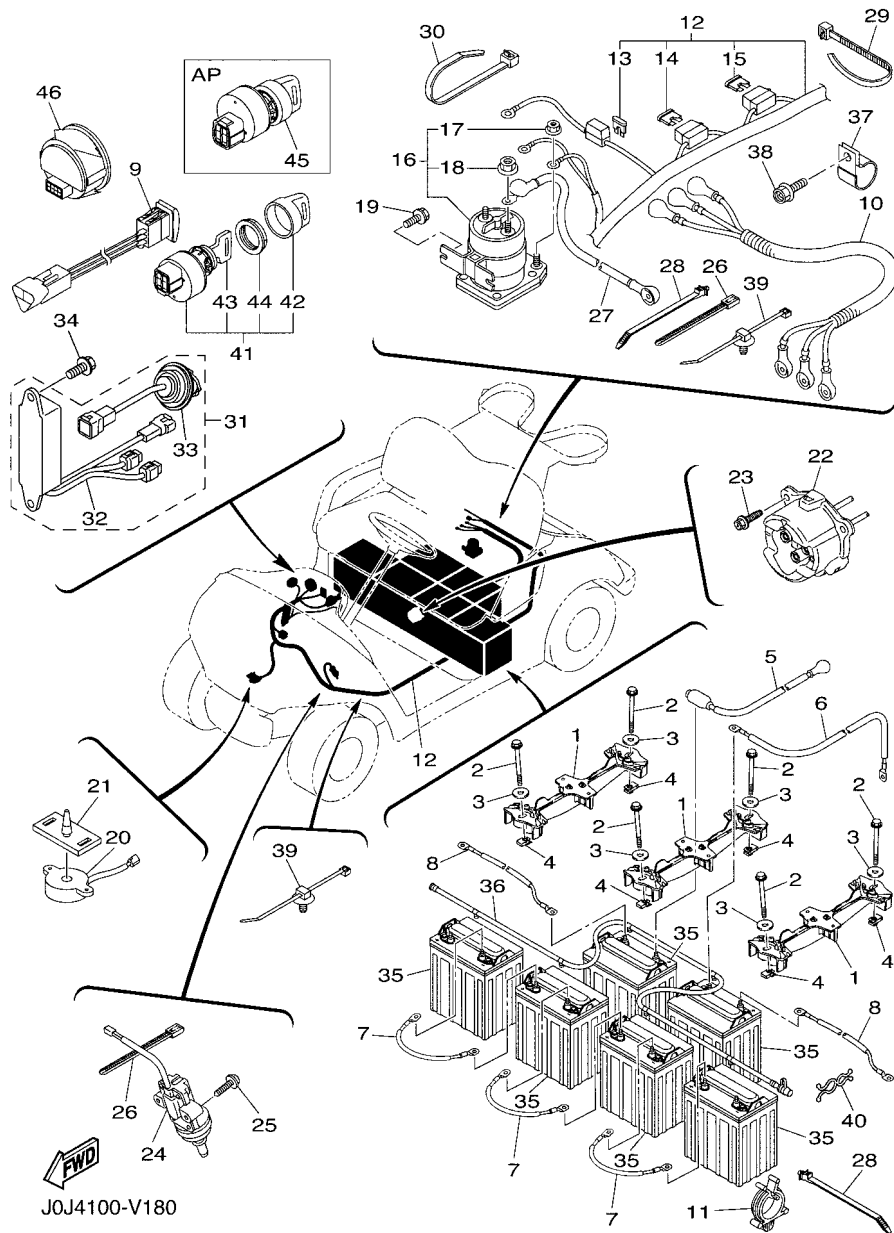
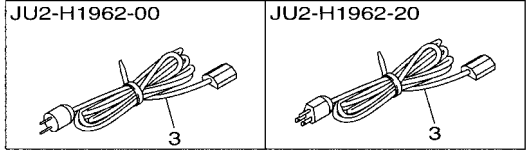
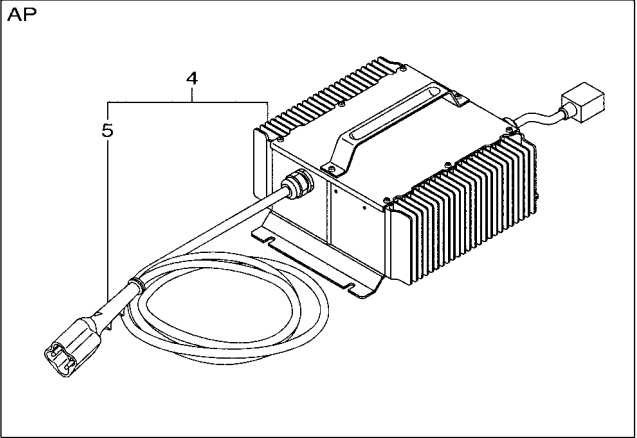
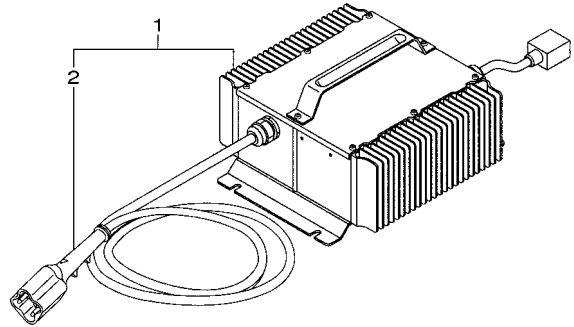


FIG. 18 ELECTRICAL 1

| REF. NO. | PART NO. | DESCRIPTION | J0J4 | REMARKS |
|----------|--------------|-------------------------------|------|----------------|
| 28 | 90464-20005 | CLAMP | 3 | |
| 29 | 90464-48800 | CLAMP | 1 | |
| 30 | 90464-76800 | CLAMP | 1 | |
| 31 | J0E-H21E0-02 | USB ASSY | 1 | |
| 32 | J0E-H21E1-01 | .PLUG, USB | 1 | |
| 33 | J0D-H21E2-01 | .CABLE, USB | 2 | |
| 34 | 90119-06868 | BOLT, WITH WASHER | 2 | |
| 35 | * | BATTERY ASSY (8V, GC8) | 6 | LM |
| 36 | JW9-H210G-00 | BATTERY WATERING SYSTEM ASSY. | 1 | |
| 37 | 90461-14108 | CLAMP | 1 | |
| 38 | 90105-08867 | BOLT, FLANGE | 1 | |
| 39 | 1NS-F1338-00 | CLAMP | 3 | |
| 40 | 90464-14134 | CLAMP | 1 | |
| 41 | JW1-H2510-00 | MAIN SWITCH ASSY | 1 | STD |
| 42 | 5UG-H2579-00 | .CAP, KEY | 1 | |
| 43 | JU2-H2511-00 | .KEY, MAIN SWITCH | 2 | |
| 44 | JU6-H2569-00 | .NUT, MAIN SWITCH | 1 | |
| 45 | JU2-H2510-20 | MAIN SWITCH ASSY | 1 | AP RANDOMKEY |
| 46 | JC1-H351B-01 | GAUGE, BATTERY | 1 | EXCEPT FOR CAN |

FIG. 19 BATTERY CHARGER

| REF. NO. | PART NO. | DESCRIPTION | JUJ4 | REMARKS |
|----------|--------------|-------------------|------|---------|
| 1 | JW2-H2107-51 | CHARGER, BATTERY | 1 | |
| 2 | JW2-H7209-20 | .CHARGE CORD ASSY | 1 | |
| 3 | JU2-H1962-00 | CORD COMP. (220V) | 1 | UR |
| | JU2-H1962-20 | CORD COMP. (100V) | 1 | UR |
| 4 | JW2-H2107-A1 | CHARGER, BATTERY | 1 | AP |
| 5 | JW2-H7209-A0 | .CHARGE CORD ASSY | 1 | |



J0C4100-V190

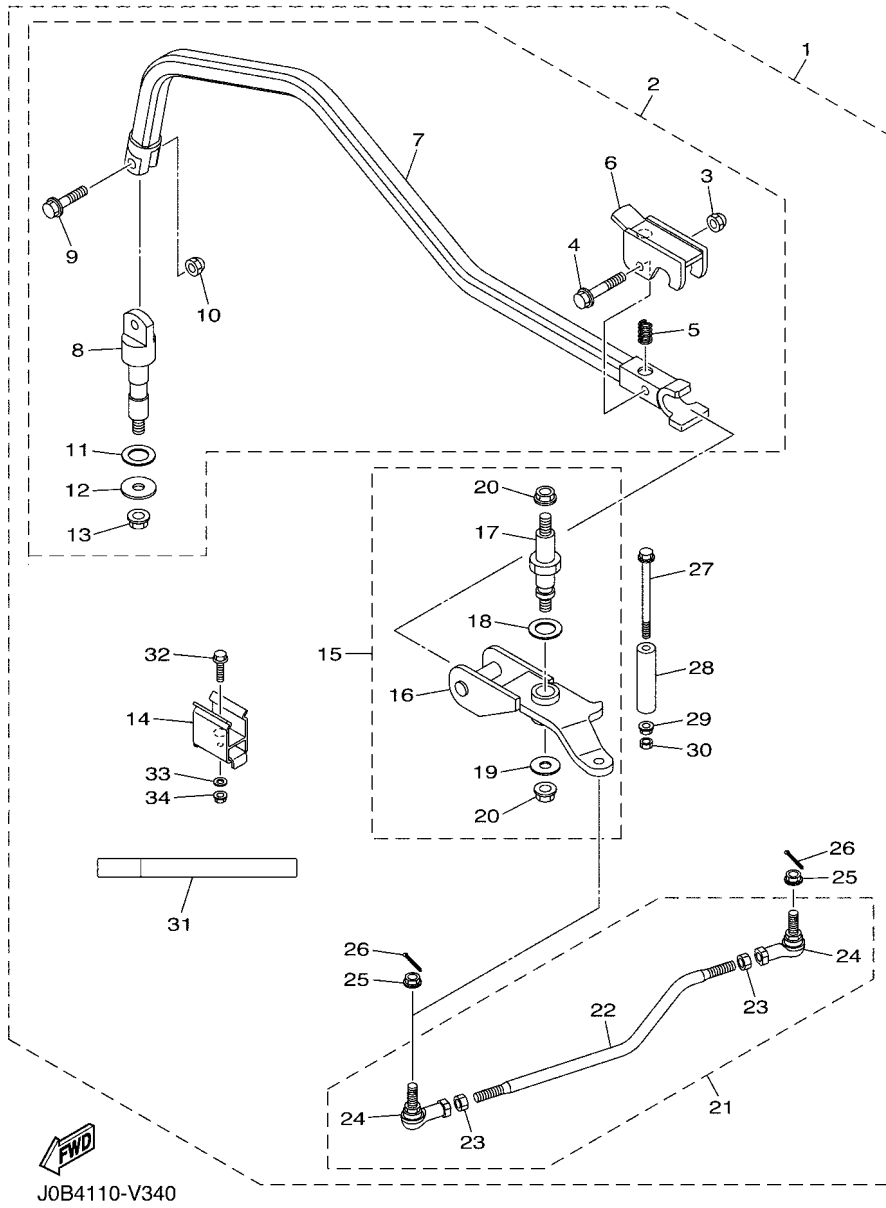
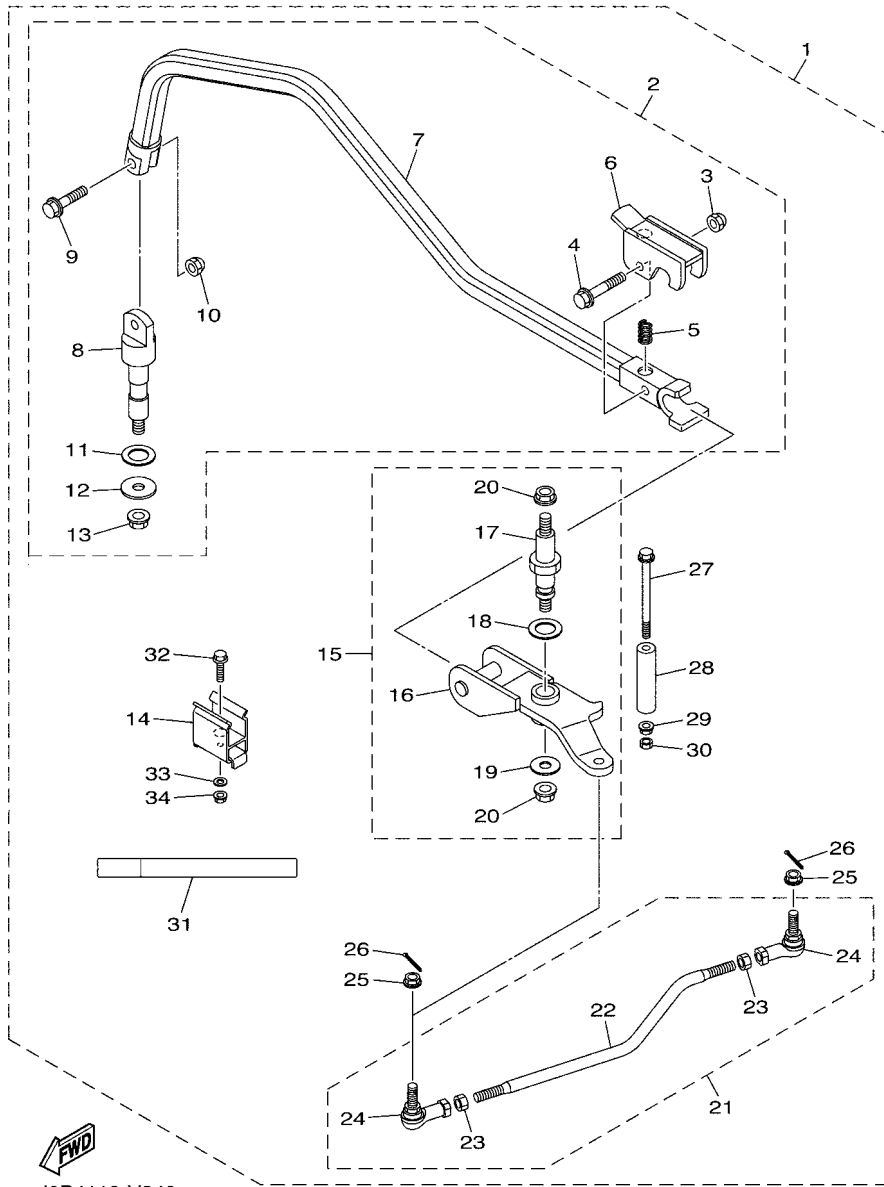


FIG. 20 ALTERNATE FOR CHASSIS

| REF. NO. | PART NO. | DESCRIPTION | J0J4 | REMARKS |
|----------|--------------|----------------------|------|---------|
| 1 | J0B-F722B-A3 | BAR, TOW | 1 | AP |
| 2 | J0B-F389J-A0 | .DRAW BAR ASSY | 1 | |
| 3 | J0B-F4681-00 | ..NUT, CAP | 1 | |
| 4 | 95802-10050 | ..BOLT, FLANGE | 1 | |
| 5 | J0B-F178D-A0 | ..SPRING, HOOK | 1 | |
| 6 | J0B-F381J-A0 | ..BAR, HANDLE | 1 | |
| 7 | J0B-F7224-00 | ..BAR, PEDAL LINK | 1 | |
| 8 | J0B-F2141-00 | ..SHAFT, PIVOT | 1 | |
| 9 | 95802-10035 | ..BOLT, FLANGE | 1 | |
| 10 | J0B-F4681-00 | ..NUT, CAP | 1 | |
| 11 | J0B-F3418-00 | ..WASHER, SPECIAL | 1 | |
| 12 | 90201-128S4 | ..WASHER, PLATE | 1 | |
| 13 | 95602-12200 | ..NUT, SELF-LOCKING | 1 | |
| 14 | J0B-F5522-00 | .HOLDER | 1 | |
| 15 | J0B-F389K-A1 | .ARM PIVOT ASSY | 1 | |
| 16 | J0B-F389G-00 | ..ARM, PIVOT | 1 | |
| 17 | J0B-F3849-A0 | ..SHAFT 1 | 1 | |
| 18 | 90201-208S8 | ..WASHER, PLATE | 1 | |
| 19 | J0B-F3392-00 | ..WASHER, SPECIAL | 1 | |
| 20 | 95602-12200 | ..NUT, SELF-LOCKING | 2 | |
| 21 | J0B-F3880-A0 | .TIE ROD ASSEMBLY 3 | 1 | |
| 22 | J0B-F383A-00 | ..TIE ROD ASSEMBLY 3 | 1 | |
| 23 | 95302-10600 | ..NUT, HEXAGON | 2 | |
| 24 | J0B-F3841-A0 | ..JOINT, UNIVERSAL 1 | 2 | |
| 25 | 95602-10200 | ..NUT, S/L FLANGE | 2 | |
| 26 | 91402-25020 | ..PIN, COTTER | 2 | |
| 27 | 90105-088A9 | ..BOLT, FLANGE | 1 | |

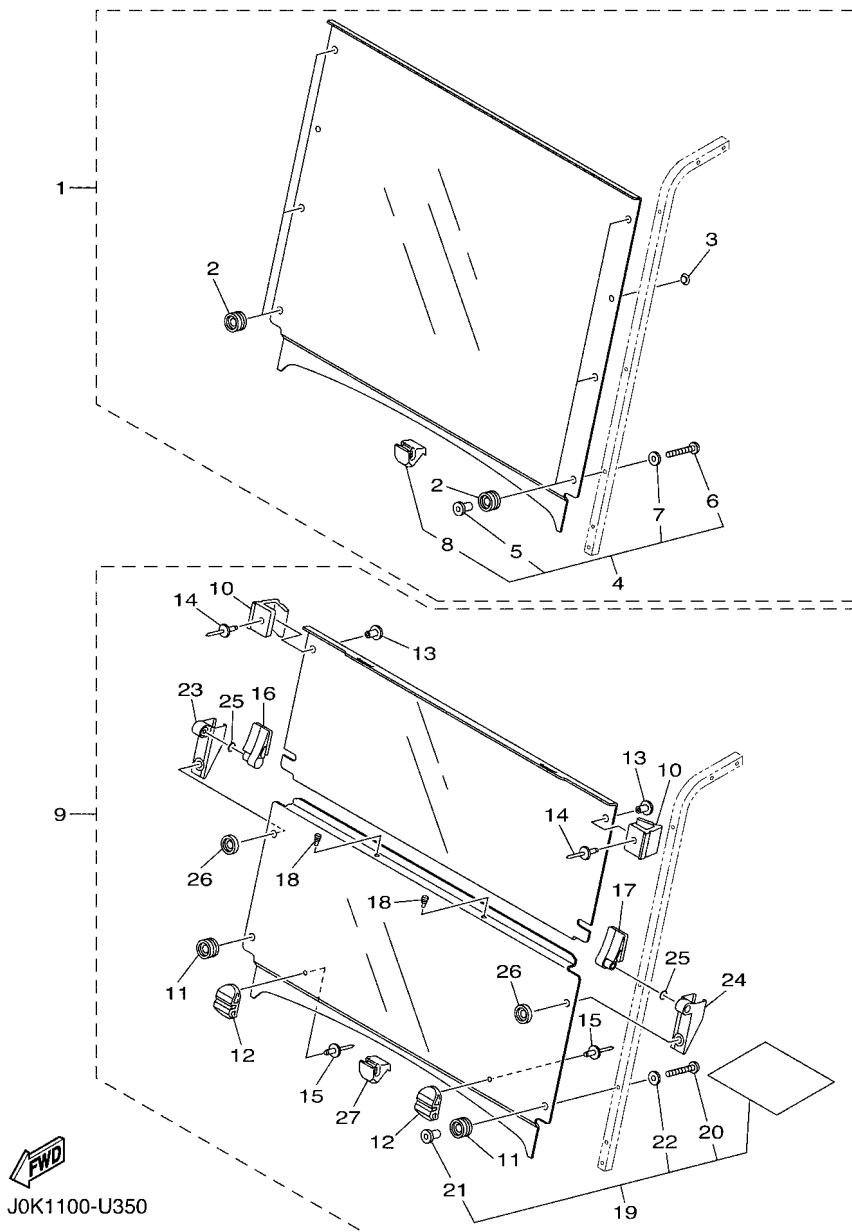


J0B4110-V340

FIG. 20 ALTERNATE FOR CHASSIS

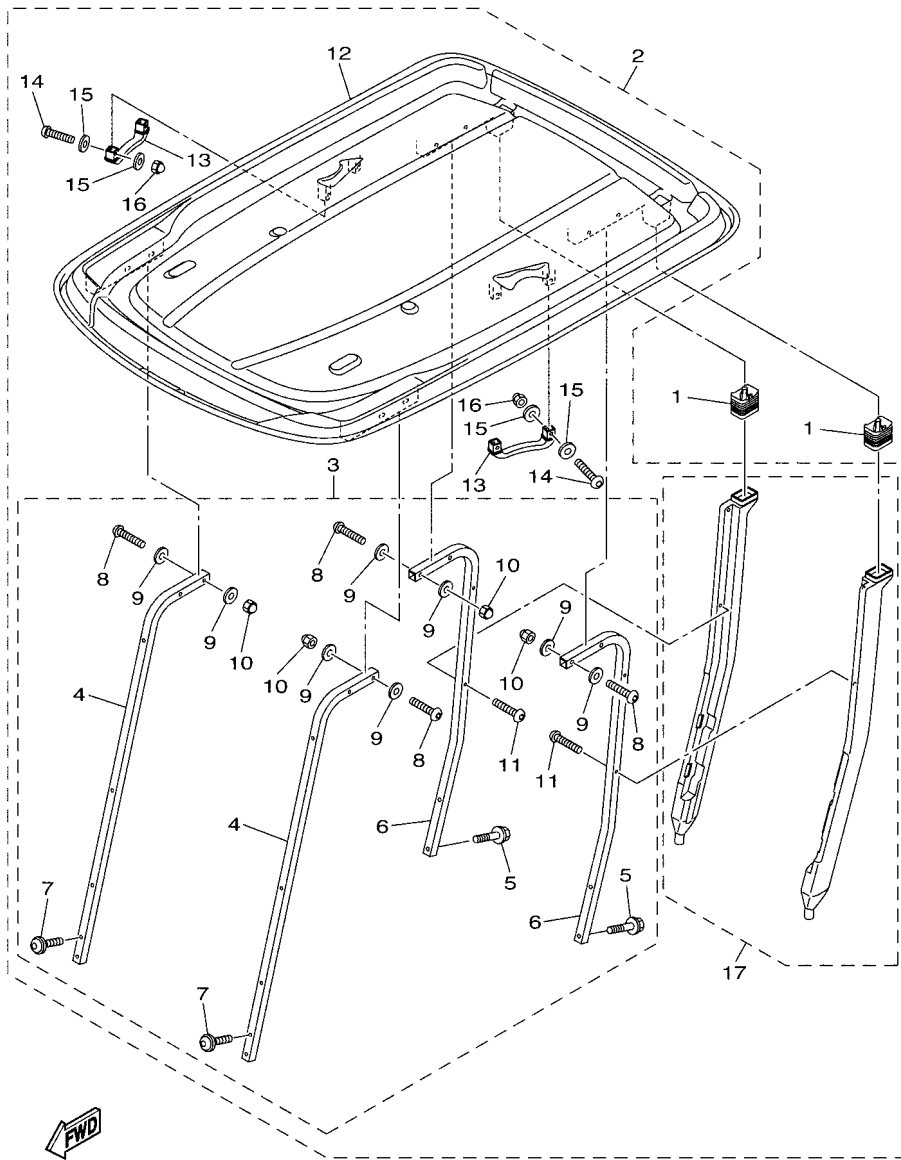
| REF. NO. | PART NO. | DESCRIPTION | J0J4 | | | | | REMARKS |
|----------|--------------|----------------------|------|--|--|--|--|---------|
| 28 | J0B-F3432-00 | .STOPPER, STEERING 1 | 1 | | | | | |
| 29 | 95602-08200 | .NUT, U FLANGE | 1 | | | | | |
| 30 | 95602-08100 | .NUT, U | 1 | | | | | |
| 31 | J0B-K7761-A0 | .LABEL, WARNING 1 | 1 | | | | | |
| 32 | 95812-06025 | .BOLT, FLANGE | 1 | | | | | |
| 33 | 90201-06102 | .WASHER, PLATE | 1 | | | | | |
| 34 | 95602-06200 | .NUT, SELF-LOCKING | 1 | | | | | |

FIG. 21 ALTERNATE FOR WINDSHIELD



J0K1100-U350

| REF. NO. | PART NO. | DESCRIPTION | J0J4 | | | | REMARKS |
|----------|--------------|-----------------------------|------|--|--|--|-------------|
| 1 | J0B-K7200-01 | WINDSHIELD ASSY | 1 | | | | UR AP CLEAR |
| | J0B-K7200-11 | WINDSHIELD ASSY | 1 | | | | UR AP SMOKE |
| 2 | J0B-K7237-00 | .GROMMET | 6 | | | | |
| 3 | J0B-K7238-00 | .DAMPER | 2 | | | | |
| 4 | J0B-K7240-01 | .WIND SHIELD HARDWARE KIT 1 | 1 | | | | |
| 5 | J0B-K7217-00 | ..NUT, WIND SHIELD | 6 | | | | |
| 6 | J0B-K7248-00 | ..SCREW 1 | 6 | | | | |
| 7 | J0B-K7218-00 | ..WASHER 1 | 6 | | | | |
| 8 | J0B-K838A-20 | ..RETAINER 1 | 1 | | | | |
| 9 | J0B-K7200-24 | WINDSHIELD ASSY | 1 | | | | UR AP CLEAR |
| | J0B-K7200-34 | WINDSHIELD ASSY | 1 | | | | UR AP SMOKE |
| 10 | J0B-K7173-21 | ..LEVER, LATCH 1 | 2 | | | | |
| 11 | J0B-K7237-00 | .GROMMET | 2 | | | | |
| 12 | J0B-K7257-20 | .GROMMET, W/S 3 | 2 | | | | |
| 13 | J0G-K7155-C0 | .RIVET 1 | 2 | | | | |
| 14 | J0G-K7156-C0 | .RIVET 2 | 2 | | | | |
| 15 | J0B-K7155-20 | .RIVET 1 | 2 | | | | |
| 16 | J0B-K7145-20 | .HINGE 1 | 1 | | | | |
| 17 | J0B-K7146-20 | .HINGE 2 | 1 | | | | |
| 18 | J0B-K7529-20 | .SPACER, BUMPER | 2 | | | | |
| 19 | J0B-K7240-20 | .WIND SHIELD HARDWARE KIT 1 | 1 | | | | |
| 20 | J0B-K7248-00 | ..SCREW 1 | 4 | | | | |
| 21 | J0B-K7217-00 | ..NUT, WIND SHIELD | 4 | | | | |
| 22 | J0B-K7218-00 | ..WASHER 1 | 4 | | | | |
| 23 | J0B-K7147-20 | .HINGE 3 | 1 | | | | |
| 24 | J0B-K7148-20 | .HINGE 4 | 1 | | | | |
| 25 | J0B-F3147-20 | .O-RING | 2 | | | | |



J0A2100-T370

FIG. 22 ALTERNATE FOR SUN ROOF

| REF. NO. | PART NO. | DESCRIPTION | J0J4 | REMARKS |
|----------|--------------|------------------------|------|-------------|
| 1 | JW1-F414G-10 | SEAL | 2 | |
| 2 | J0B-K84A0-00 | SUN TOP KIT | 1 | UR AP TAN |
| | J0B-K84A0-10 | SUN TOP KIT | 1 | UR AP BLACK |
| 3 | J0B-K84A2-00 | .HARDWARE KIT, SUN TOP | 1 | |
| 4 | J0B-K8312-00 | ..SUPPORT, SUN ROOF 1 | 2 | |
| 5 | JW1-K8388-00 | ..BOLT, ROOF 1 | 4 | |
| 6 | JW1-K8313-01 | ..SUPPORT, SUN ROOF 2 | 2 | |
| 7 | J0B-K8388-00 | ..BOLT, ROOF 1 | 4 | |
| 8 | JU0-K8388-00 | ..BOLT, ROOF 1 | 8 | |
| 9 | JW1-F1549-01 | ..WASHER, FENDER MOLD | 16 | |
| 10 | JU0-K8398-00 | ..NUT, ROOF 1 | 8 | |
| 11 | JW1-K7387-00 | ..SCREW | 4 | |
| 12 | JW1-K8314-10 | ..COVER, SUN ROOF | 1 | UR TAN |
| | JW1-K8314-21 | ..COVER, SUN ROOF | 1 | UR BLACK |
| 13 | JW1-K8214-00 | ..GRIP, HAND | 2 | |
| 14 | JU0-K8388-00 | ..BOLT, ROOF 1 | 4 | |
| 15 | JW1-F1549-01 | ..WASHER, FENDER MOLD | 8 | |
| 16 | JU0-K8398-00 | ..NUT, ROOF 1 | 4 | |
| 17 | J0B-F417A-00 | ..DRAIN TUBE ASSY | 1 | |

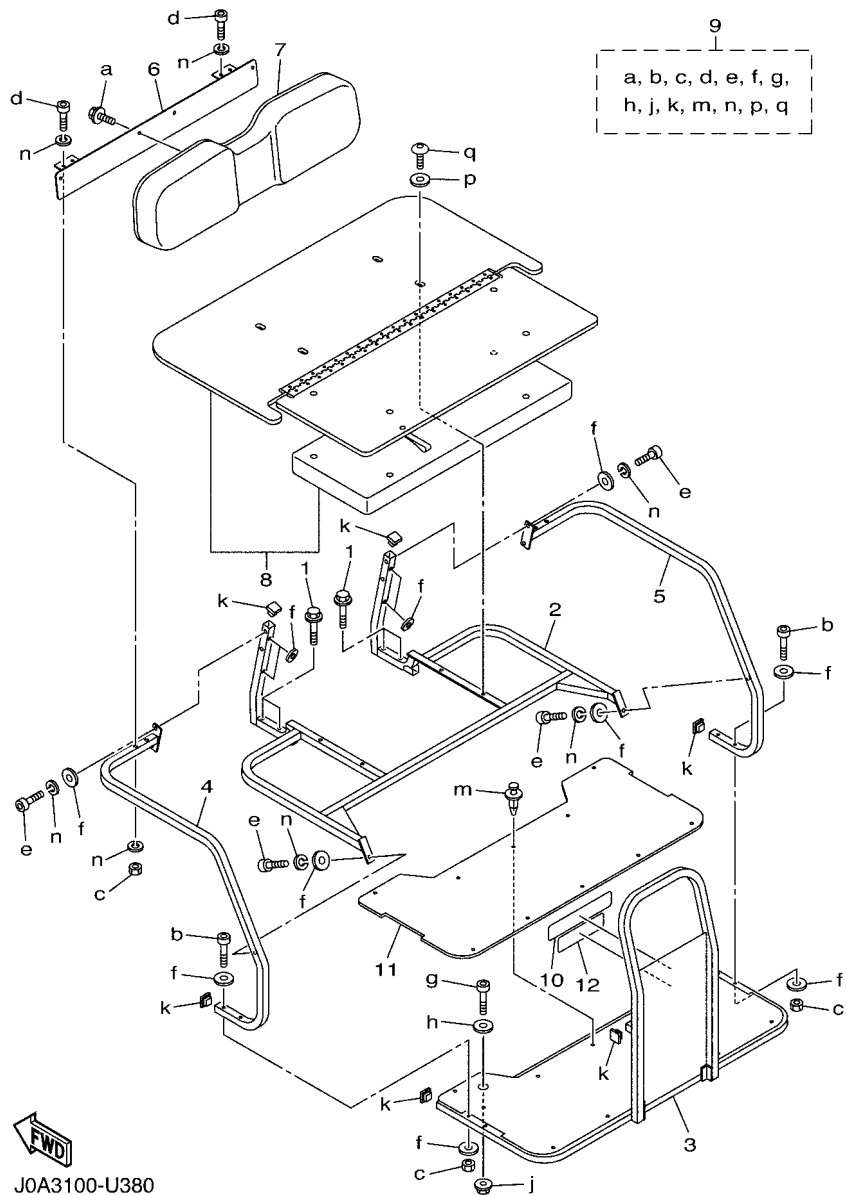


FIG. 23 ALTERNATE FOR SEAT

| REF. NO. | PART NO. | DESCRIPTION | J0J4 | REMARKS |
|----------|--------------|---------------------------|------|----------|
| 1 | 90109-08178 | BOLT | 4 | |
| 2 | J0B-K8460-00 | SEAT FRAME COMP. | 1 | |
| 3 | J0B-K8477-00 | FLOOR ASSEMBLY | 1 | |
| 4 | J0B-K8473-00 | HANDRAIL ASSEMBLY (LH) | 1 | |
| 5 | J0B-K8474-00 | HANDRAIL ASSEMBLY (RH) | 1 | |
| 6 | J0B-K8432-00 | BRACKET, SEAT SUPPORT 2 | 1 | |
| 7 | J0B-K8402-00 | SEAT SUB ASSY, BACK | 1 | UR TAN |
| | J0B-K8402-10 | SEAT SUB ASSY, BACK | 1 | UR BLACK |
| 8 | J0B-K8480-00 | SEAT BOTTOM COMPLETE 1 | 1 | UR TAN |
| | J0B-K8480-10 | SEAT BOTTOM COMPLETE 1 | 1 | UR BLACK |
| 9 | J0B-F47E2-00 | HARDWARE KIT, TANDEM SEAT | 1 | |
| 10 | J0B-K8483-00 | LABEL WARNING | 1 | |
| 11 | J0B-K8466-00 | MAT, RUBBER | 1 | |
| 12 | J0B-F1696-00 | LABEL, CAUTION | 1 | |

NUMERICAL INDEX

| PART NO. | REF. NO. | PART NO. | REF. NO. | PART NO. | REF. NO. | PART NO. | REF. NO. | PART NO. | REF. NO. | PART NO. | REF. NO. |
|--------------|----------|--------------|----------|--------------|----------|--------------|----------|--------------|----------|--------------|----------|
| 401-22128-01 | 3 - 16 | J0C-F3350-00 | 3 - 14 | JW9-F4648-20 | 6 - 50 | JW8-F7318-00 | 6 - 21 | JW3-H182J-00 | 16 - 8 | J0B-K7155-20 | 21 - 15 |
| 2NL-23448-00 | 3 - 9 | J0C-F3390-00 | 3 - 19 | JW1-F467K-00 | 4 - 23 | JW8-F7322-00 | 6 - 16 | JW3-H182V-00 | 16 - 10 | J0G-K7155-C0 | 21 - 13 |
| 2NL-23517-00 | 3 - 11 | J0B-F3392-00 | 20 - 19 | J0B-F4681-00 | 20 - 3 | J0C-F7411-01 | 2 - 5 | JW3-H183J-00 | 16 - 2 | J0G-K7156-C0 | 21 - 14 |
| 2HR-23526-00 | 3 - 3 | JW1-F3394-00 | 18 - 23 | | 20 - 10 | J0G-F7416-00 | 6 - 9 | JW3-H1869-00 | 16 - 9 | J0B-K7173-21 | 21 - 10 |
| JW8-23841-01 | 4 - 27 | JW1-F3400-00 | 4 - 10 | J0B-F47E2-00 | 23 - 9 | JW8-F7426-01 | 6 - 18 | JW3-H1890-10 | 16 - 1 | J0B-K7200-01 | 21 - 1 |
| J38-27204-00 | 7 - 15 | J0B-F3418-00 | 20 - 11 | JW1-F5100-01 | 9 - 1 | JW8-F7434-00 | 6 - 39 | JW9-H1892-00 | 18 - 2 | J0B-K7200-11 | 21 - 1 |
| J38-27205-00 | 7 - 4 | J0B-F3432-00 | 20 - 28 | JW8-F5103-00 | 3 - 21 | JW8-F7435-00 | 6 - 56 | JU6-H1950-00 | 18 - 16 | J0B-K7200-24 | 21 - 9 |
| J55-27260-00 | 7 - 9 | J0B-F3447-00 | 12 - 2 | JW8-F5118-00 | 8 - 38 | JW8-F7438-00 | 6 - 38 | JU2-H1962-00 | 19 - 3 | J0B-K7200-34 | 21 - 9 |
| J55-27270-00 | 7 - 20 | | 12 - 5 | JN6-F5118-01 | 3 - 29 | J0H-F7445-10 | 6 - 33 | JU2-H1962-20 | 19 - 3 | J0B-K7217-00 | 21 - 5 |
| J10-27282-00 | 7 - 6 | | 12 - 13 | JW8-F5415-00 | 6 - 26 | J0G-F7814-00 | 6 - 23 | JW2-H2107-51 | 19 - 1 | | 21 - 21 |
| | 7 - 17 | 5UG-F3489-00 | 4 - 20 | J0B-F5522-00 | 20 - 14 | JW8-F7814-21 | 6 - 3 | JW2-H2107-A1 | 19 - 4 | J0B-K7218-00 | 21 - 7 |
| JF7-82817-22 | 18 - 24 | JU0-F3511-20 | 3 - 4 | JW9-F5666-00 | 6 - 13 | J0G-F7825-00 | 6 - 28 | JW9-H210G-00 | 18 - 36 | | 21 - 22 |
| JC3-86510-10 | 17 - 1 | JW1-F3512-00 | 3 - 5 | J0G-F5671-00 | 6 - 4 | J0H-F7850-20 | 6 - 1 | JC1-H2115-00 | 18 - 5 | J0B-K7237-00 | 21 - 2 |
| J0B-F125J-00 | 2 - 19 | JU0-F3521-20 | 3 - 12 | JW9-F5673-00 | 6 - 45 | J0H-F7853-10 | 6 - 35 | JC1-H2116-00 | 18 - 6 | | 21 - 1 |
| 1NS-F1338-00 | 18 - 39 | 5UG-F3527-00 | 4 - 21 | JW8-F5681-10 | 5 - 5 | J0G-F7854-00 | 6 - 5 | JC1-H2127-00 | 18 - 7 | J0B-K7238-00 | 21 - 3 |
| JW1-F1549-01 | 22 - 9 | J0B-F3570-10 | 3 - 1 | JN6-F5685-01 | 5 - 6 | J0G-F7871-01 | 6 - 36 | JW9-H2136-00 | 18 - 1 | J0B-K7240-01 | 21 - 4 |
| | 22 - 15 | J0G-F3811-00 | 4 - 1 | JW9-F5827-00 | 6 - 53 | J0H-F7872-00 | 6 - 37 | JC1-H2149-00 | 18 - 8 | J0B-K7240-20 | 21 - 19 |
| J0B-F1696-00 | 23 - 12 | JW1-F3812-00 | 4 - 13 | JW9-F5827-10 | 6 - 53 | J0G-F815H-10 | 6 - 42 | J0C-H2151-00 | 18 - 13 | J0B-K7247-00 | 21 - 26 |
| J0B-F1738-00 | 2 - 6 | J0B-F381J-A0 | 20 - 6 | J0G-F5922-00 | 6 - 43 | JW8-F8323-00 | 6 - 25 | JR1-H2151-00 | 18 - 14 | J0B-K7248-00 | 21 - 6 |
| | 12 - 9 | JW1-F3822-01 | 4 - 29 | JW8-F6314-00 | 6 - 22 | JW8-F8331-00 | 6 - 47 | J0E-H2151-10 | 18 - 15 | | 21 - 20 |
| | 12 - 14 | JU0-F3828-10 | 4 - 4 | JW9-F632G-00 | 6 - 54 | JW8-F8363-00 | 6 - 8 | JU2-H218E-01 | 16 - 14 | J0B-K7257-20 | 21 - 12 |
| | 15 - 5 | 1P0-F3833-00 | 4 - 26 | JW9-F6351-10 | 5 - 1 | JW8-G2535-00 | 8 - 34 | J0E-H21E0-02 | 18 - 31 | JW7-K7329-00 | 12 - 8 |
| | 15 - 7 | JW1-F3837-00 | 4 - 22 | JW8-F639N-00 | 6 - 10 | JW8-G2536-00 | 8 - 35 | J0E-H21E1-01 | 18 - 32 | J0B-K7363-00 | 4 - 36 |
| JW1-F1738-00 | 2 - 8 | J0B-F3838-00 | 4 - 6 | JW8-F7118-00 | 6 - 41 | JW8-G2541-00 | 8 - 39 | J0D-H21E2-01 | 18 - 33 | J0B-K7387-00 | 4 - 34 |
| | 2 - 11 | J0B-F383A-00 | 20 - 22 | JW8-F7119-00 | 6 - 29 | JW8-G2756-00 | 8 - 36 | J0B-H2370-00 | 11 - 14 | JW1-K7387-00 | 22 - 11 |
| J0J-F1781-00 | 12 - 18 | J0B-F3841-A0 | 20 - 24 | JW8-F7121-00 | 6 - 14 | JH7-G3396-01 | 8 - 9 | JW3-H2379-00 | 16 - 5 | J0B-K7389-00 | 14 - 5 |
| J0B-F178D-A0 | 20 - 5 | 5UG-F3844-00 | 4 - 19 | J0G-F7200-02 | 6 - 2 | JW8-G4178-00 | 8 - 32 | JW1-H2510-00 | 18 - 41 | J0B-K7510-01 | 10 - 1 |
| J0C-F2110-00 | 1 - 1 | J0B-F3849-A0 | 20 - 17 | JW8-F7213-20 | 6 - 34 | JW8-G5244-00 | 8 - 33 | JU2-H2510-20 | 18 - 45 | J0B-K7529-20 | 21 - 18 |
| JN6-F2123-20 | 1 - 2 | JU0-F3857-20 | 4 - 3 | JW8-F7217-00 | 6 - 32 | JW8-G5378-00 | 8 - 22 | JU2-H2511-00 | 18 - 43 | J0B-K7540-00 | 10 - 7 |
| JN6-F2124-10 | 1 - 6 | | 4 - 5 | J0G-F7218-00 | 6 - 11 | JW9-G6136-00 | 8 - 8 | JU6-H2569-00 | 18 - 44 | JU0-K7573-00 | 11 - 3 |
| J0B-F2127-00 | 2 - 14 | JW1-F3866-00 | 4 - 24 | JW9-F7221-00 | 6 - 15 | J0C-G6300-01 | 7 - 1 | 5UG-H2579-00 | 18 - 42 | J0C-K7741-00 | 11 - 10 |
| J0B-F2141-00 | 20 - 8 | JW1-F387A-00 | 4 - 11 | J0B-F7224-00 | 20 - 7 | | 8 - 1 | J0J-H2590-10 | 18 - 12 | J0B-K7761-A0 | 20 - 31 |
| JW1-F217G-10 | 1 - 10 | JW1-F387E-00 | 4 - 14 | JW9-F7228-00 | 6 - 24 | JW9-G6312-00 | 8 - 19 | JW2-H2727-00 | 17 - 2 | J0B-K7762-10 | 4 - 38 |
| JW9-F2198-10 | 2 - 10 | 5UG-F387F-00 | 4 - 17 | J0B-F722B-A3 | 20 - 1 | JW9-G631A-00 | 8 - 18 | JU2-H2917-00 | 18 - 9 | J0B-K7762-20 | 4 - 38 |
| J0C-F2210-00 | 1 - 14 | 5UG-F387G-00 | 4 - 15 | JW9-F7231-10 | 6 - 19 | JW9-G6321-00 | 8 - 3 | JR1-H3383-02 | 18 - 20 | J0B-K7768-30 | 11 - 8 |
| JW9-F2417-00 | 2 - 9 | 5UG-F387J-00 | 4 - 18 | JW9-F7232-00 | 6 - 20 | JW9-G6350-00 | 8 - 11 | JN6-H3386-01 | 18 - 21 | J0B-K7768-40 | 11 - 8 |
| J0A-F2501-10 | 2 - 1 | 5UG-F387K-00 | 4 - 16 | JW9-F7245-10 | 6 - 30 | JW9-G6410-00 | 8 - 15 | JC1-H351B-01 | 18 - 46 | J0B-K7768-50 | 11 - 8 |
| JC1-F252M-10 | 2 - 4 | J0B-F3880-A0 | 20 - 21 | JW9-F7246-20 | 6 - 46 | JW9-G6421-00 | 8 - 13 | JW3-H3756-00 | 16 - 3 | J0B-K7768-60 | 11 - 8 |
| JW9-F2535-00 | 2 - 7 | JW1-F3894-00 | 4 - 25 | JW9-F7263-00 | 6 - 49 | JN3-G6432-00 | 8 - 20 | JW9-H5885-00 | 6 - 52 | J0B-K8111-00 | 12 - 1 |
| J0B-F255G-00 | 2 - 2 | J0B-F389G-00 | 20 - 16 | JW8-F7280-10 | 7 - 13 | JR1-G6511-00 | 8 - 25 | JW9-H6181-00 | 18 - 22 | J0B-K8111-10 | 12 - 1 |
| J0B-F258E-10 | 2 - 12 | J0B-F389J-A0 | 20 - 2 | JW8-F7281-00 | 7 - 5 | JR1-G6512-00 | 8 - 26 | J0E-H6527-00 | 18 - 27 | J0B-K8111-30 | 12 - 1 |
| J0B-F2873-01 | 12 - 15 | J0B-F389K-A1 | 20 - 15 | | 7 - 16 | JW8-G6514-00 | 8 - 31 | JW2-H7209-20 | 19 - 2 | J0B-K8111-50 | 12 - 1 |
| J0B-F2874-01 | 12 - 16 | JW1-F414G-10 | 22 - 1 | JW8-F7286-00 | 7 - 10 | JW8-G6521-00 | 8 - 37 | JW2-H7209-A0 | 19 - 5 | J0B-K8111-60 | 12 - 1 |
| JW7-F312H-00 | 5 - 4 | J0B-F4161-00 | 11 - 2 | | 7 - 21 | JW3-H1117-10 | 16 - 6 | J0B-K7115-00 | 4 - 37 | J0B-K8111-A0 | 12 - 1 |
| J0G-F3145-00 | 6 - 57 | J0B-F417A-00 | 22 - 17 | JW8-F7290-10 | 7 - 2 | JW3-H1155-00 | 16 - 4 | J0B-K7145-20 | 21 - 16 | J0B-K8111-B0 | 12 - 1 |
| J0B-F3147-20 | 21 - 25 | JW8-F41B8-00 | 6 - 51 | J0G-F7313-00 | 6 - 12 | JC1-H1441-00 | 18 - 10 | J0B-K7146-20 | 21 - 17 | J0B-K8111-R0 | 12 - 1 |
| JW1-F3183-00 | 4 - 12 | JW8-F4486-00 | 6 - 44 | JW8-F7316-01 | 6 - 31 | JW3-H165G-00 | 16 - 7 | J0B-K7147-20 | 21 - 23 | J0B-K8111-S0 | 12 - 1 |
| JW8-F3183-00 | 6 - 17 | | 6 - 48 | JW8-F7317-00 | 6 - 40 | JW9-H1674-00 | 15 - 1 | J0B-K7148-20 | 21 - 24 | J0B-K8112-00 | 12 - 4 |

NUMERICAL INDEX

| PART NO. | REF. NO. | PART NO. | REF. NO. | PART NO. | REF. NO. | PART NO. | REF. NO. | PART NO. | REF. NO. | PART NO. | REF. NO. |
|--------------|----------|--------------|----------|--------------|----------|-------------|----------|-------------|----------|-------------|----------|
| J0B-K8112-10 | 12 - 4 | J0C-K827A-00 | 12 - 17 | J0B-K84A0-00 | 22 - 2 | 90201-05824 | 6 - 55 | 91490-30030 | 8 - 27 | 97012-06020 | 6 - 7 |
| J0B-K8112-30 | 12 - 4 | J0B-K8282-00 | 11 - 9 | J0B-K84A0-10 | 22 - 2 | 90201-06102 | 20 - 33 | 91702-08018 | 5 - 11 | 97012-08030 | 4 - 30 |
| J0B-K8112-50 | 12 - 4 | JW9-K8297-01 | 12 - 19 | J0B-K84A2-00 | 22 - 3 | 90201-068E2 | 16 - 13 | 91702-10026 | 5 - 2 | 97012-10020 | 1 - 11 |
| J0B-K8112-60 | 12 - 4 | JW9-K8297-11 | 12 - 19 | JN9-W2536-11 | 7 - 3 | 90201-08310 | 18 - 3 | 92017-06040 | 14 - 4 | 9708R-06020 | 14 - 10 |
| J0B-K8112-A0 | 12 - 4 | JW2-K8298-10 | 2 - 21 | | 7 - 14 | 90201-121H8 | 7 - 12 | 92902-08600 | 4 - 31 | 97527-08516 | 17 - 3 |
| J0B-K8112-B0 | 12 - 4 | JW2-K8298-20 | 2 - 21 | 90101-069U0 | 16 - 11 | | 7 - 23 | 92902-10100 | 1 - 12 | 97602-05225 | 18 - 25 |
| J0B-K8112-R0 | 12 - 4 | J0B-K8312-00 | 22 - 4 | 90101-08855 | 8 - 23 | 90201-121H9 | 7 - 11 | 92902-10600 | 1 - 13 | 99001-09600 | 5 - 10 |
| J0B-K8112-S0 | 12 - 4 | JW1-K8313-01 | 22 - 6 | 90101-08856 | 8 - 21 | | 7 - 22 | 92902-12200 | 4 - 8 | | |
| J0E-K8114-01 | 11 - 6 | JW1-K8314-10 | 22 - 12 | 90101-10854 | 8 - 16 | 90201-128S4 | 1 - 9 | 9299R-06200 | 14 - 14 | | |
| J0B-K8114-10 | 11 - 6 | JW1-K8314-21 | 22 - 12 | 90105-06831 | 2 - 16 | | 20 - 12 | 93101-24822 | 8 - 28 | | |
| J0B-K8115-00 | 11 - 1 | J0B-K832F-00 | 11 - 22 | | 11 - 4 | 90201-208S8 | 20 - 18 | 93102-30083 | 3 - 26 | | |
| J0B-K8115-10 | 11 - 1 | J1B-K832F-00 | 11 - 22 | | 18 - 19 | 90208-14801 | 3 - 27 | 93210-148B9 | 8 - 12 | | |
| J0B-K8115-30 | 11 - 1 | J0B-K832G-00 | 11 - 23 | 90105-06833 | 17 - 4 | 90215-06811 | 16 - 12 | 93210-478B8 | 8 - 5 | | |
| J0B-K8115-50 | 11 - 1 | J1B-K832G-00 | 11 - 23 | 90105-08867 | 2 - 13 | 90249-14129 | 5 - 9 | 93306-00440 | 8 - 30 | | |
| J0B-K8115-60 | 11 - 1 | JW1-K8340-00 | 14 - 3 | | 18 - 38 | 90269-06804 | 11 - 5 | 93306-005Y1 | 8 - 6 | | |
| J0B-K8115-A0 | 11 - 1 | JW1-K834G-00 | 14 - 9 | 90105-088A9 | 20 - 27 | | 13 - 4 | 93306-005Y3 | 3 - 24 | | |
| J0B-K8115-B0 | 11 - 1 | JN6-K8355-20 | 14 - 8 | 90105-088B6 | 2 - 17 | | 13 - 7 | 93306-007Y0 | 8 - 14 | | |
| J0B-K8115-R0 | 11 - 1 | JF2-K8356-00 | 14 - 7 | 90105-10219 | 3 - 8 | | 13 - 9 | 93306-203X1 | 8 - 7 | | |
| J0B-K8115-S0 | 11 - 1 | J0B-K8357-00 | 4 - 32 | 90105-10267 | 3 - 13 | | 13 - 11 | 93306-204X0 | 3 - 23 | | |
| JW9-K811K-00 | 18 - 4 | J0B-K8358-00 | 4 - 33 | | 3 - 20 | 90269-07805 | 11 - 19 | 93306-303Y6 | 8 - 10 | | |
| J0B-K8141-00 | 12 - 10 | J0B-K835E-00 | 11 - 11 | 90105-10373 | 3 - 6 | | 11 - 21 | 93420-44805 | 8 - 29 | | |
| J0C-K8141-10 | 12 - 10 | J0B-K8361-00 | 15 - 4 | 90105-10840 | 8 - 2 | | 12 - 3 | 93420-50804 | 8 - 4 | | |
| J0C-K8141-30 | 12 - 10 | J0B-K8362-00 | 15 - 6 | 90105-10847 | 4 - 28 | | 12 - 6 | 95302-08700 | 10 - 5 | | |
| J0C-K8141-50 | 12 - 10 | JN6-K8380-00 | 14 - 12 | 90105-13800 | 1 - 3 | | 12 - 11 | 95302-10600 | 20 - 23 | | |
| J0C-K8141-60 | 12 - 10 | J0B-K8388-00 | 22 - 7 | 90109-08178 | 14 - 2 | 90269-08001 | 11 - 7 | 95307-08700 | 5 - 8 | | |
| J0C-K8141-A0 | 12 - 10 | JU0-K8388-00 | 22 - 8 | | 23 - 1 | 90269-09003 | 11 - 16 | 95602-06200 | 20 - 34 | | |
| J0C-K8141-B0 | 12 - 10 | | 22 - 14 | 90110-06125 | 15 - 9 | | 13 - 3 | 95602-08100 | 20 - 30 | | |
| J0C-K8141-R0 | 12 - 10 | JW1-K8388-00 | 22 - 5 | 90111-05805 | 11 - 12 | | 13 - 6 | 95602-08200 | 20 - 29 | | |
| J0C-K8141-S0 | 12 - 10 | J0B-K838A-20 | 21 - 8 | 90114-12806 | 3 - 22 | 90381-17800 | 3 - 10 | 95602-10200 | 1 - 16 | | |
| J0B-K8164-00 | 10 - 2 | | 21 - 27 | 90119-06808 | 15 - 11 | 90381-18801 | 3 - 2 | | 3 - 7 | | |
| J1B-K816M-00 | 2 - 15 | JU0-K8398-00 | 22 - 10 | 90119-06868 | 18 - 34 | 90386-12800 | 6 - 27 | | 10 - 8 | | |
| J0B-K817H-00 | 12 - 20 | | 22 - 16 | 90119-10044 | 1 - 5 | 90387-12016 | 3 - 15 | | 20 - 25 | | |
| J0B-K817H-10 | 12 - 20 | J0A-K8401-10 | 15 - 3 | 90159-06845 | 14 - 13 | 90387-241M7 | 3 - 25 | 95602-12200 | 20 - 13 | | |
| J0B-K817J-00 | 12 - 21 | J0B-K8402-00 | 23 - 7 | 90170-08841 | 8 - 24 | 90461-14108 | 18 - 37 | | 20 - 20 | | |
| J0B-K817J-10 | 12 - 21 | J0B-K8402-10 | 23 - 7 | 90170-10840 | 8 - 17 | 90464-14134 | 18 - 40 | 95602-14100 | 3 - 28 | | |
| J0B-K818A-00 | 13 - 2 | JW1-K8402-10 | 15 - 10 | 90176-06008 | 14 - 6 | 90464-20005 | 18 - 28 | 95607-06200 | 6 - 6 | | |
| J0B-K818B-00 | 13 - 5 | J0B-K8423-00 | 14 - 1 | 90179-05807 | 18 - 17 | 90464-25826 | 18 - 11 | 95802-10035 | 20 - 9 | | |
| J0B-K8191-00 | 13 - 8 | J0B-K8426-01 | 15 - 8 | 90179-08822 | 5 - 7 | 90464-40825 | 18 - 26 | 95802-10050 | 20 - 4 | | |
| J0B-K8192-00 | 13 - 10 | JW1-K8427-00 | 15 - 2 | 90179-08824 | 18 - 18 | 90464-48800 | 18 - 29 | 95812-06025 | 20 - 32 | | |
| J0B-K819H-00 | 12 - 7 | J0B-K8432-00 | 23 - 6 | 90179-12262 | 9 - 2 | 90464-76800 | 2 - 20 | 95812-08016 | 10 - 3 | | |
| JW1-K8214-00 | 22 - 13 | J0B-K8460-00 | 23 - 2 | 90179-13800 | 1 - 4 | | 18 - 30 | 95812-08020 | 4 - 2 | | |
| J0B-K821A-00 | 2 - 18 | J0B-K8466-00 | 23 - 11 | 90183-05008 | 11 - 13 | 90468-20196 | 5 - 3 | | 6 - 58 | | |
| J0B-K8233-00 | 11 - 15 | J0B-K8473-00 | 23 - 4 | 90185-06836 | 14 - 11 | 90506-14001 | 7 - 8 | 95812-08040 | 2 - 3 | | |
| J0B-K8237-02 | 12 - 12 | J0B-K8474-00 | 23 - 5 | 90185-12008 | 4 - 7 | | 7 - 19 | 95812-08050 | 10 - 4 | | |
| J0B-K8243-00 | 11 - 18 | J0B-K8477-00 | 23 - 3 | 90185-12810 | 3 - 18 | 90506-20281 | 7 - 7 | 95812-10055 | 1 - 15 | | |
| J0B-K8244-00 | 11 - 20 | J0B-K8480-00 | 23 - 8 | 90185-12811 | 1 - 8 | | 7 - 18 | 95812-12065 | 1 - 7 | | |
| J0B-K8271-01 | 13 - 1 | J0B-K8480-10 | 23 - 8 | | 4 - 9 | 91402-25020 | 20 - 26 | 95812-12080 | 3 - 17 | | |
| J0B-K8273-10 | 11 - 17 | J0B-K8483-00 | 23 - 10 | 90201-04810 | 4 - 35 | 91490-25015 | 5 - 12 | 95822-06012 | 10 - 6 | | |