



# PARTS CATALOGUE

## DR2E19 AC ( J0J3 ) CANADA, EUROPE, OTHERS

---



1UJ0J-100E1

( )

DR2E19 AC  
PARTS CATALOGUE  
©2018 by Yamaha Motor Co., Ltd.  
1st edition, June 2018  
All rights reserved.  
Any reprinting or unauthorized use  
without the written permission of  
Yamaha Motor Co., Ltd.  
is expressly prohibited.  
Printed in Japan.

# FOREWORD

This Parts Catalogue is related to the parts for the model(s) on the cover page. When you are ordering replacement parts, please refer to this Parts Catalogue and quote both part numbers and part names correctly.

1. Modifications or additions which have been made after the issue of the Parts Catalogue will be announced in the Parts News.  
It is advisable that you make the necessary corrections to the Parts Catalogue according to the Parts News.

2. Abbreviations

The following abbreviations are used in this Parts Catalogue.

“UR” Use specified parts number.

“UN” Use as many as needed.

“AP” Alternate Parts

“LM” Locally Made (Parts need to be ordered locally)

“F#” Frame No. (Applicable machine No.)

“O/S” Over Size

3. The number of components for assembly

- Parts, which are to be supplied in an assembly, are listed with a dot (.) in front of the part name as shown below.
- The numeral appearing to the right of each component part indicates the quantity of parts for each assembly unit.

PART NO.	DESCRIPTION	Q'TY	REMARKS
2F5-83310-60	FRONT FLASHER LIGHT ASSY	2	
115-83311-60	.BULB (6V-18W)	1	

4. Applicable colours of graphics are represented in the “REMARKS” as shown below.

PART NO.	DESCRIPTION	Q'TY	REMARKS
2N4-24110-00-X5	FUEL TANK COMP.	2	MXR
3J1-24240-10	.GRAPHIC, FUEL TANK	1	FOR MXR

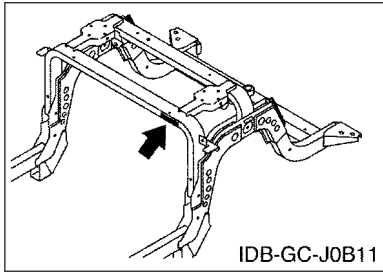
5. Note that the illustrations for reference in finding parts numbers are not to be used for assembling. When assembling, please use the applicable service manual.

6. The asterisk (\*) before a reference number indicates modified items after the first edition.

# FOREWORD

## 7. Applicable Serial No.

Frame Serial No.



## 8. Applicable Colour Code (The (\*) mark shows Model colour.)

Abbreviation	Colour Name	Colour Code
BW1(*)	BLUISH WHITE 1	1571
DNBME(*)	DARK GRAYISH BLUE METALLIC E	0866
DNMC(*)	DARK GRAY METALLIC C	0922
DYNM2(*)	DARK YELLOWISH GRAY METALLIC 2	1509
HTR(*)	HEAT RED	00EY
LNMP(*)	LIGHT GRAY METALLIC P	0925
LN YM8(*)	LIGHT GRAYISH YELLOW ME 8	1047
NYS4(*)	GRAYISH YELLOW SOLID 4	1459
VDGS1(*)	VERY DARK GREEN SOLID 1	0614

## 9. Quantity Column Information

Column No.	Name Of Q'ty Column	Destination
1	J0J3	CANADA, EUROPE, OTHERS

## 10. Applicable Starting Serial No.

Frame Serial No.

Serial No.	Name Of Q'ty Column	Model Code
J0J-200101	J0J3	J0J3

# CONTENTS

## BODY

REAR ARM & SUSPENSION.....	1
FRAME.....	2
FRONT SUSPENSION.....	3
STEERING.....	5
PEDAL WIRE.....	7
PEDAL ASSEMBLY.....	8
BRAKE.....	11

## DRIVE

TRANSAXLE.....	12
WHEEL.....	14
BUMPER.....	15
BODY.....	16
BODY 2.....	18
BODY FITTING.....	20
CARRIER.....	21
SEAT.....	22

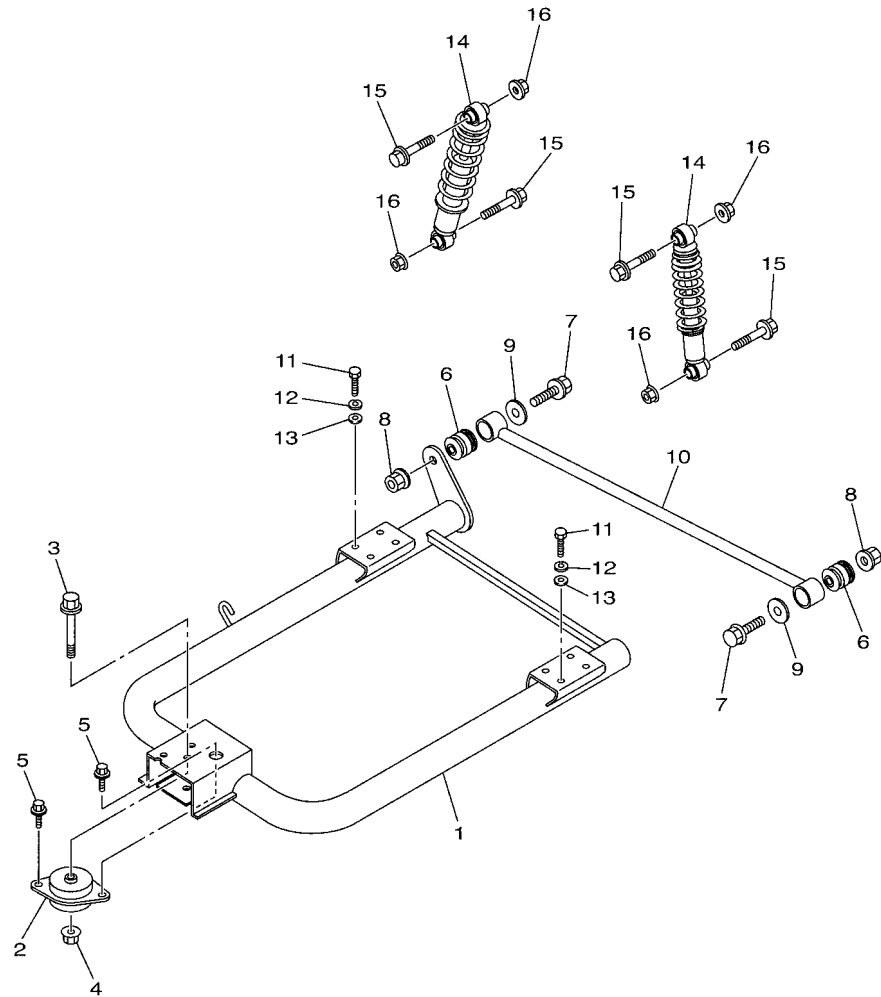
## ELECTRICAL

ELECTRIC MOTOR.....	23
CONTROLLER 1.....	24
ELECTRICAL 1.....	25
BATTERY CHARGER.....	27
ALTERNATE FOR CHASSIS.....	28
ALTERNATE FOR WINDSHIELD.....	30
ALTERNATE FOR SUN ROOF.....	32
ALTERNATE FOR SEAT.....	33

## INDEX

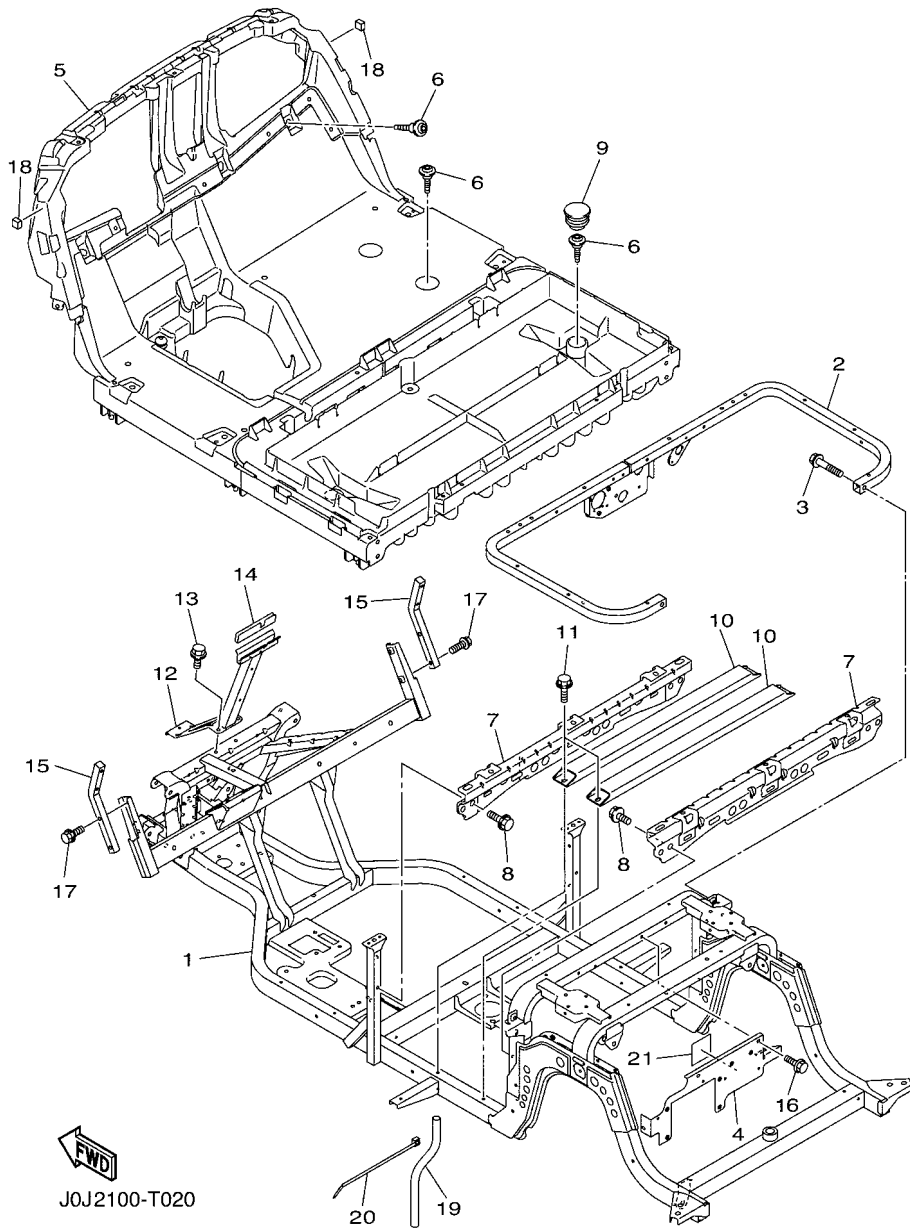
NUMERICAL INDEX.....	34
----------------------	----

**FIG. 1 REAR ARM & SUSPENSION**



J0C1110-S010

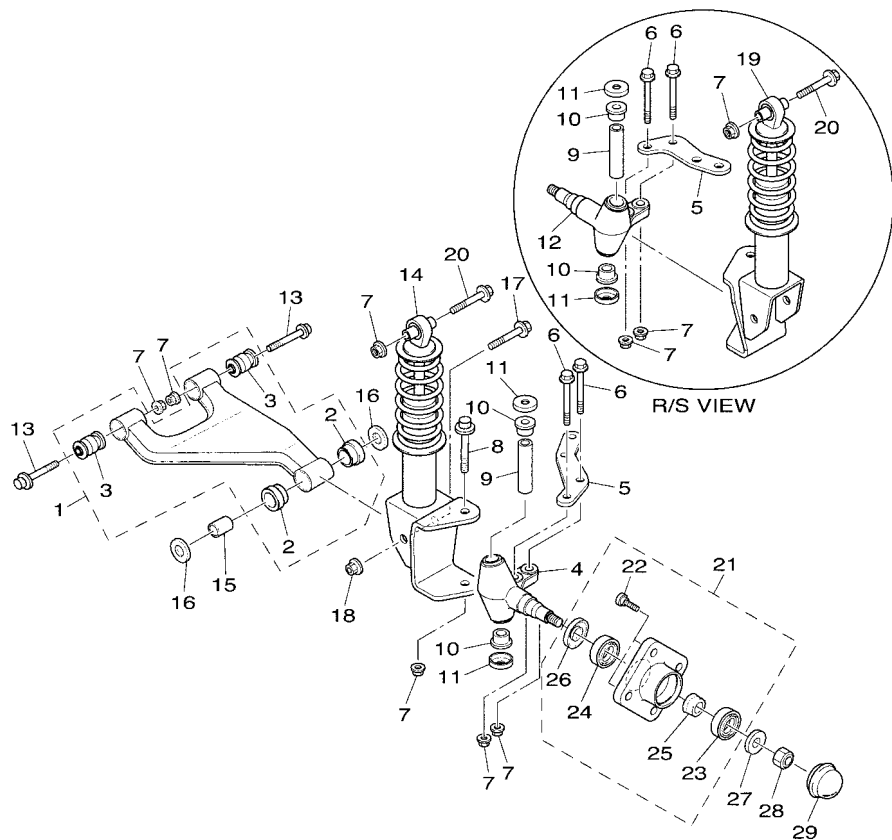
REF. NO.	PART NO.	DESCRIPTION	J0J3				REMARKS
1	J0C-F2110-00	REAR ARM COMP.	1				
2	JN6-F2123-20	BUSH 1	1				
3	90105-13800	BOLT, FLANGE	1				
4	90179-13800	NUT	1				
5	90119-10044	BOLT, WITH WASHER	2				
6	JN6-F2124-10	BUSH 2	2				
7	95812-12065	BOLT, FLANGE	2				
8	95602-12200	NUT, SELF-LOCKING	2				
9	90201-128S4	WASHER, PLATE	2				
10	JW1-F217G-10	ROD, CONNECTING 2	1				
11	97012-10020	BOLT	8				
12	92902-10100	WASHER, SPRING	8				
13	92902-10600	WASHER, PLATE	8				
14	J0C-F2210-00	SHOCK ABSORBER ASSY, REAR	2				
15	95812-10055	BOLT, FLANGE	4				
16	95602-10200	NUT, S/L FLANGE	4				



**FIG. 2 FRAME**

REF. NO.	PART NO.	DESCRIPTION	J0J3			REMARKS
1	J0A-F2501-10	FRAME COMP.	1			
2	J0B-F255G-00	MEMBER, SEAT SUPPORT	1			
3	95812-08040	BOLT, FLANGE	2			
4	JC1-F252M-10	BRACKET, 3	1			
5	J0C-F7411-01	FOOTREST 1	1			
6	J0B-F1738-00	BOLT	9			
7	JW9-F2535-00	STAY, BATTERY 1	2			
8	JW1-F1738-00	BOLT	4			
9	JW9-F2417-00	PLUG	2			
10	JW9-F2198-10	MEMBER, CROSS	2			
11	JW1-F1738-00	BOLT	4			
12	J0B-F258E-10	SUPPORT, FRONT COWL	1			
13	90105-08867	BOLT, FLANGE	2			
14	J0B-F2127-00	SHIM	1			
15	J1B-K816M-00	SUPPORT, HOLDER	2			
16	90105-06831	BOLT, FLANGE	3			
17	90105-088B6	BOLT, FLANGE	4			
18	J0B-K821A-00	PAD, BODY MOUNTING1	2			
19	J0B-F125J-00	PIPE, DRAIN	2			
20	90464-76800	CLAMP	2			
21	JW2-K8298-10	PLATE, CAUTION 2 (E,F)	1			UR ENGLISH/FRENCH
	JW2-K8298-20	PLATE, CAUTION 2 (G,S)	1			UR GERMAN/SPANISH

**FIG. 3 FRONT SUSPENSION**

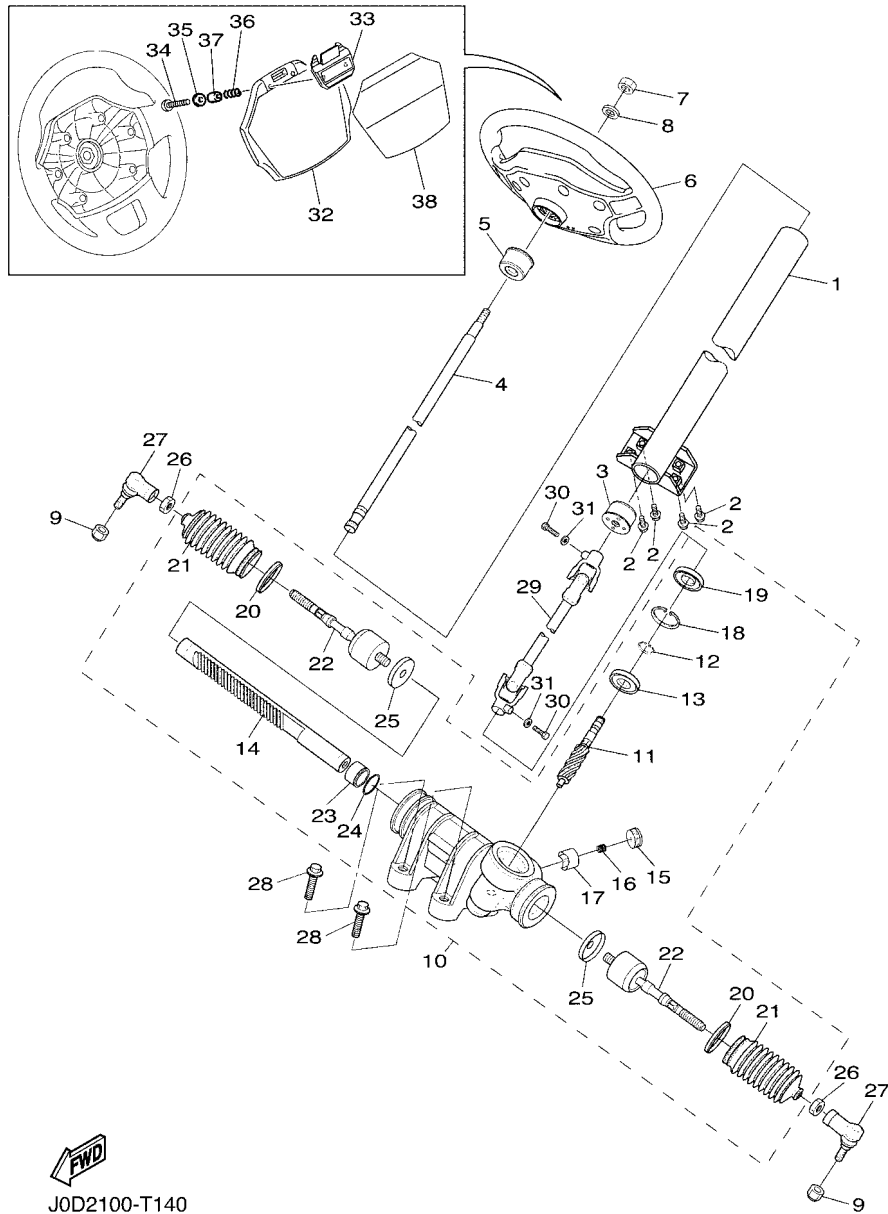


J0C1110-S030

REF. NO.	PART NO.	DESCRIPTION	J0J3				REMARKS
1	J0B-F3570-10	FRONT LOWER ARM COMP. (LEFT)	2				
2	90381-18801	.BUSH, SOLID	2				
3	2HR-23526-00	.BUSH	2				
4	JU0-F3511-20	KNUCKLE, STEERING 1	1				
5	JW1-F3512-00	ARM, KNUCKLE 1	2				
6	90105-10373	BOLT, FLANGE	4				
7	95602-10200	NUT, S/L FLANGE	12				
8	90105-10219	BOLT, FLANGE	2				
9	2NL-23448-00	SPACER	2				
10	90381-17800	BUSH, SOLID	4				
11	2NL-23517-00	COVER, THRUST 1	4				
12	JU0-F3521-20	KNUCKLE, STEERING 2	1				
13	90105-10267	BOLT, FLANGE	4				
14	J0C-F3350-00	SHOCK ABSORBER ASSY	1				
15	90387-12016	COLLAR	2				
16	401-22128-01	COVER, THRUST 1	4				
17	95812-12080	BOLT, FLANGE	2				
18	95612-12100	NUT, U	2				
19	J0C-F3390-00	SHOCK ABSORBER ASSY 2	1				
20	90105-10267	BOLT, FLANGE	2				
21	JW8-F5103-00	HUB BEARING UNIT ASSY	2				
22	90114-12806	.BOLT, SERRATION	4				
23	93306-204X0	.BEARING	1				
24	93306-005Y3	.BEARING	1				
25	90387-241M7	.COLLAR	1				
26	93102-30083	.OIL SEAL	1				
27	90208-14801	WASHER, CONICAL SPRING	2				



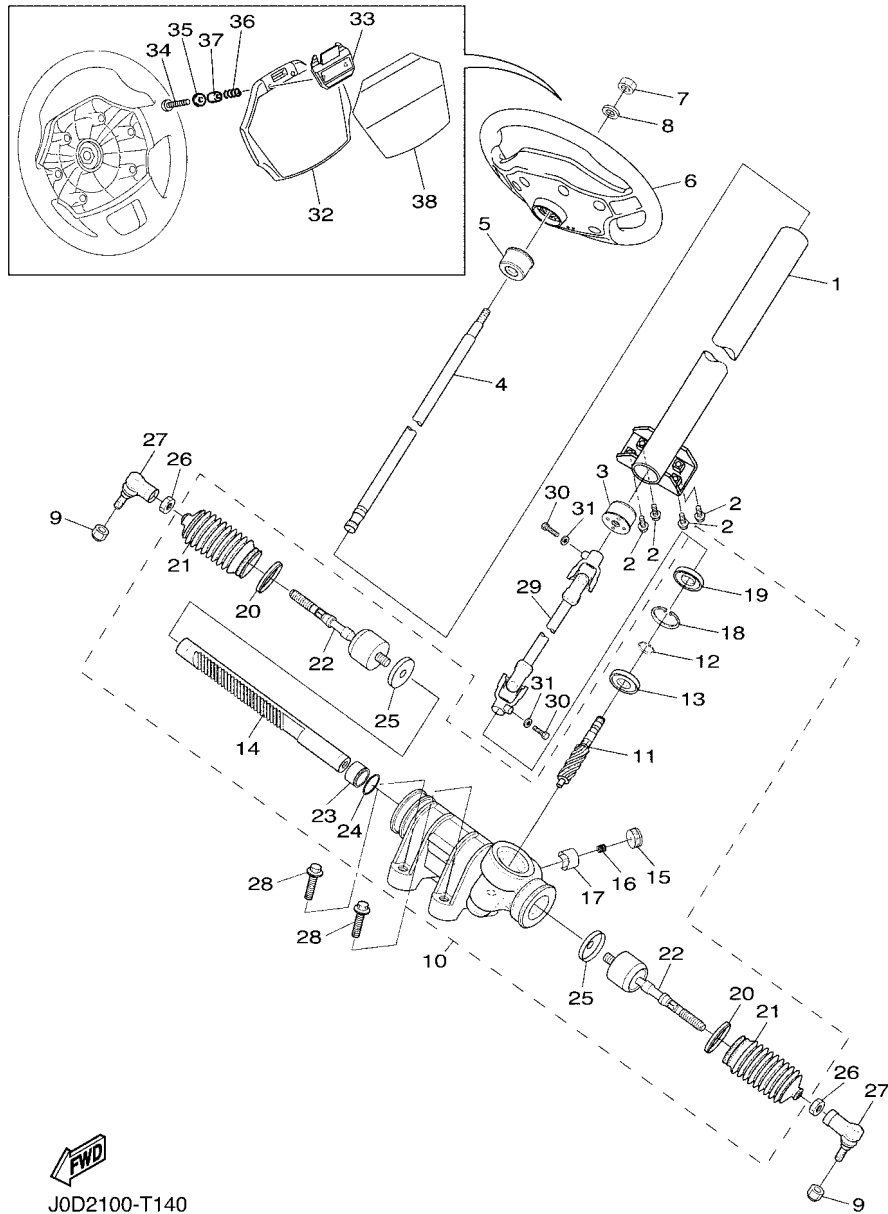




J0D2100-T140

FIG. 4 STEERING

REF. NO.	PART NO.	DESCRIPTION	J0J3				REMARKS
1	J0G-F3811-00	COLUMN, STEERING	1				
2	95812-08020	BOLT, FLANGE	4				
3	JU0-F3857-11	HOLDER	1				
4	JU0-F3828-10	ROD, STEERING	1				
5	JU0-F3857-11	HOLDER	1				
6	J0B-F3838-00	WHEEL, STEERING	1				
7	90185-12008	NUT, SELF-LOCKING	1				
8	92902-12200	WASHER	1				
9	95602-12200	NUT, SELF-LOCKING	2				
10	JW1-F3400-00	STEERING ASSY	1				
11	JW1-F387A-00	.GEAR, PINION	1				
12	JW1-F3183-00	.CIRCLIP	1				
13	JW1-F3812-00	.BEARING, STEERING	1				
14	JW1-F387E-00	.GEAR, RACK	1				
15	5UG-F387G-00	.COVER, ADJUST	1				
16	5UG-F387K-00	.SPRING, PRESSURE	1				
17	5UG-F387F-00	.PAD, PRESSURE	1				
18	5UG-F387J-00	.RING, STOPPER	1				
19	5UG-F3844-00	.SEAL	1				
20	5UG-F3489-00	.BAND	2				
21	5UG-F3527-00	.SEAL, DUST 1	2				
22	JW1-F3837-00	.ROD, TIE 2	2				
23	JW1-F467K-00	.BUSH, CAP	1				
24	JW1-F3866-00	.CIRCLIP	1				
25	JW1-F3894-00	.WASHER, LOCK 1	2				
26	1P0-F3833-00	NUT 1	2				
27	JW8-23841-01	JOINT, UNIVERSAL 1	2				

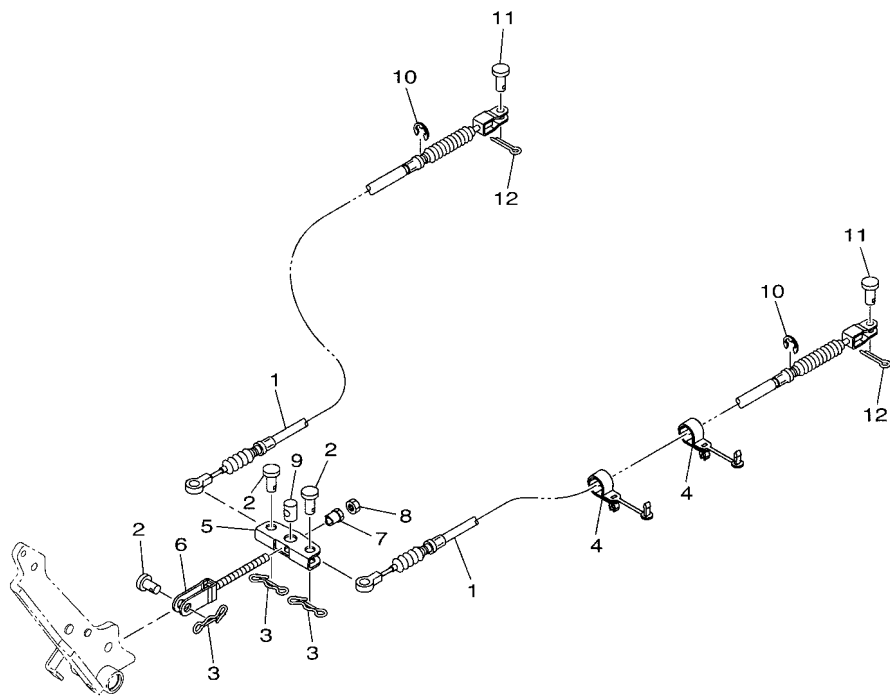


J0D2100-T140

FIG. 4 STEERING

REF. NO.	PART NO.	DESCRIPTION	J0J3				REMARKS
28	90105-10847	BOLT, FLANGE	4				
29	JW1-F3822-01	JOINT 1	1				
30	97012-08030	BOLT	2				
31	92902-08600	WASHER, PLATE	2				
32	J0B-K8357-00	HOLDER 1	1				
33	J0B-K8358-00	HOLDER 2	1				
34	J0B-K7387-00	SCREW	2				
35	90201-04810	WASHER, PLATE	2				
36	J0B-K7363-00	SPRING	2				
37	J0B-K7115-00	COLLAR	2				
38	J0B-K7762-10	LABEL, WARNING 2	1				UR ENGLISH/FRENCH
	J0B-K7762-20	LABEL, WARNING 2	1				UR GERMAN/SPANISH

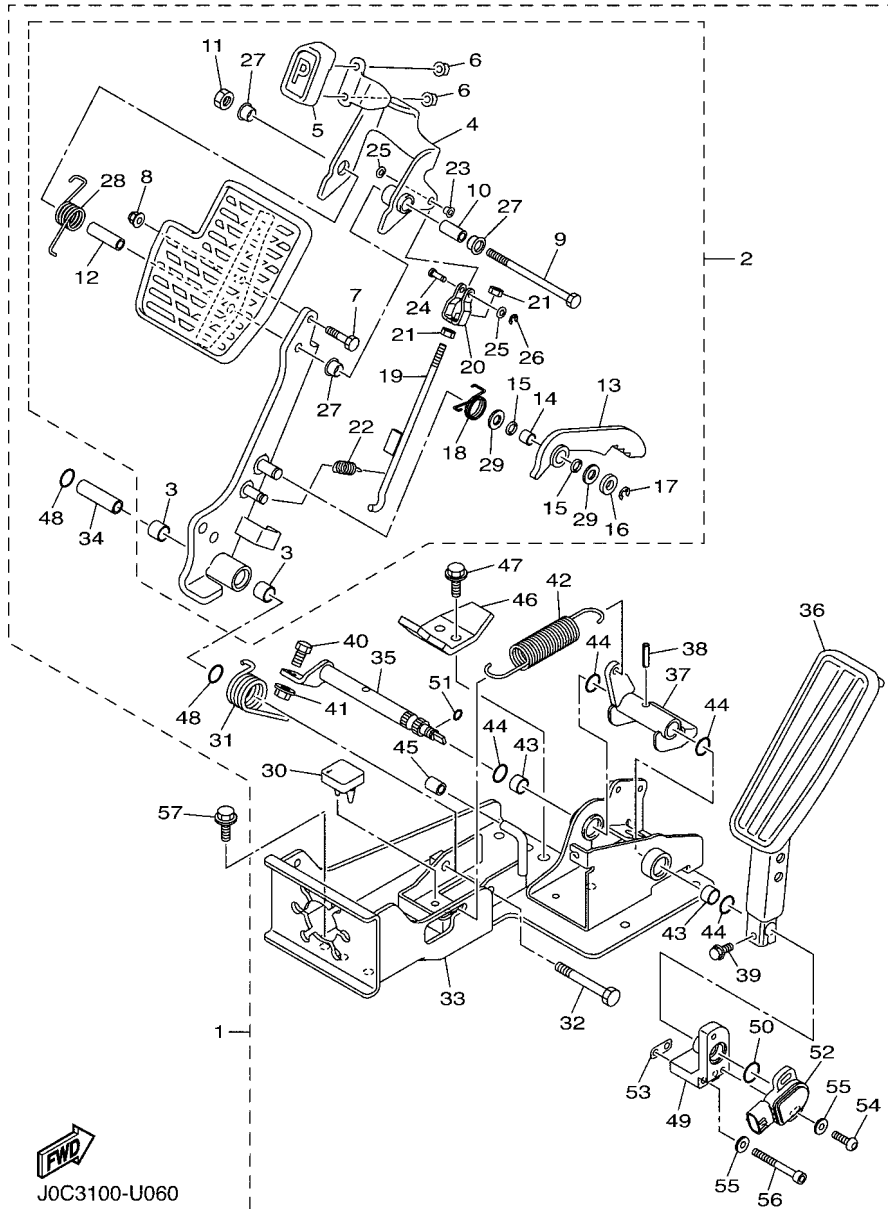
**FIG. 5 PEDAL WIRE**



REF. NO.	PART NO.	DESCRIPTION	JOB				REMARKS
1	JW9-F6351-10	CABLE, BRAKE	2				
2	91702-10026	PIN, CLEVIS	3				
3	90468-20196	CLIP	3				
4	JW7-F312H-00	CLAMP	4				
5	JW8-F5681-10	EQUALIZER, BRAKE	1				
6	JN6-F5685-01	ROD	1				
7	90179-08822	NUT	1				
8	95307-08700	NUT	1				
9	90249-14129	PIN	1				
10	99001-09600	CIRCLIP	2				
11	91702-08018	PIN, CLEVIS	2				
12	91490-25015	PIN, COTTER	2				



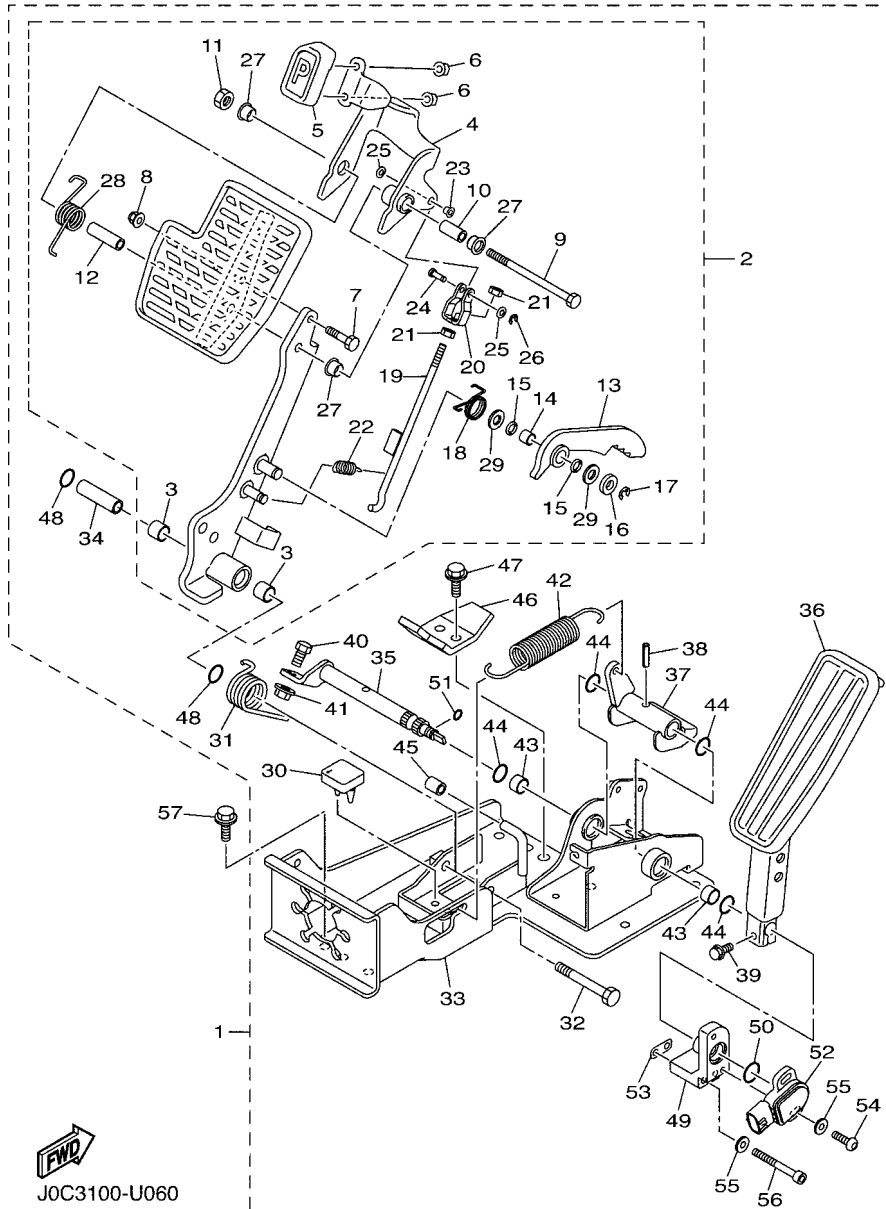
JW97110-R050



J0C3100-U060

FIG. 6 PEDAL ASSEMBLY

REF. NO.	PART NO.	DESCRIPTION	J0J3			REMARKS
1	J0H-F7850-03	PEDAL ASSY (L.H)	1			
2	J0G-F7200-02	.PEDAL, BRAKE	1			
3	JW8-F7814-21	.BUSH, PEDAL	2			
4	J0G-F5671-00	..PEDAL, PARKING BRAKE	1			
5	J0G-F7854-00	..COVER, PEDAL	1			
6	95607-06200	..NUT, SELF U-FLANGE	2			
7	97012-06020	..BOLT	1			
8	JW8-F8363-00	..NUT	1			
9	J0G-F7416-00	..BOLT, FOOTREST	1			
10	JW8-F639N-00	..COLLAR	1			
11	J0G-F7218-00	..NUT	1			
12	J0G-F7313-00	..COLLAR	1			
13	JW9-F5666-00	..SECTOR, PARKING BRAKE	1			
14	JW8-F7121-00	..BUSH	1			
15	JW9-F7221-00	..SEAL, SHAFT	2			
16	JW8-F7322-00	..WASHER	1			
17	JW8-F3183-00	..CIRCLIP	1			
18	JW8-F7426-01	..SPRING, RETURN	1			
19	JW9-F7231-10	..ROD, BRAKE	1			
20	JW9-F7232-00	..END, ROD 2	1			
21	JW8-F7318-00	..NUT	2			
22	JW8-F6314-00	..SPRING	1			
23	J0G-F7814-00	..BUSH, PEDAL	1			
24	JW9-F7228-00	..PIN, JOINT	1			
25	JW8-F8323-00	..WASHER, LEG SHIELD	2			
26	JW8-F5415-00	..CIRCLIP	1			
27	90386-12800	..BUSH	3			

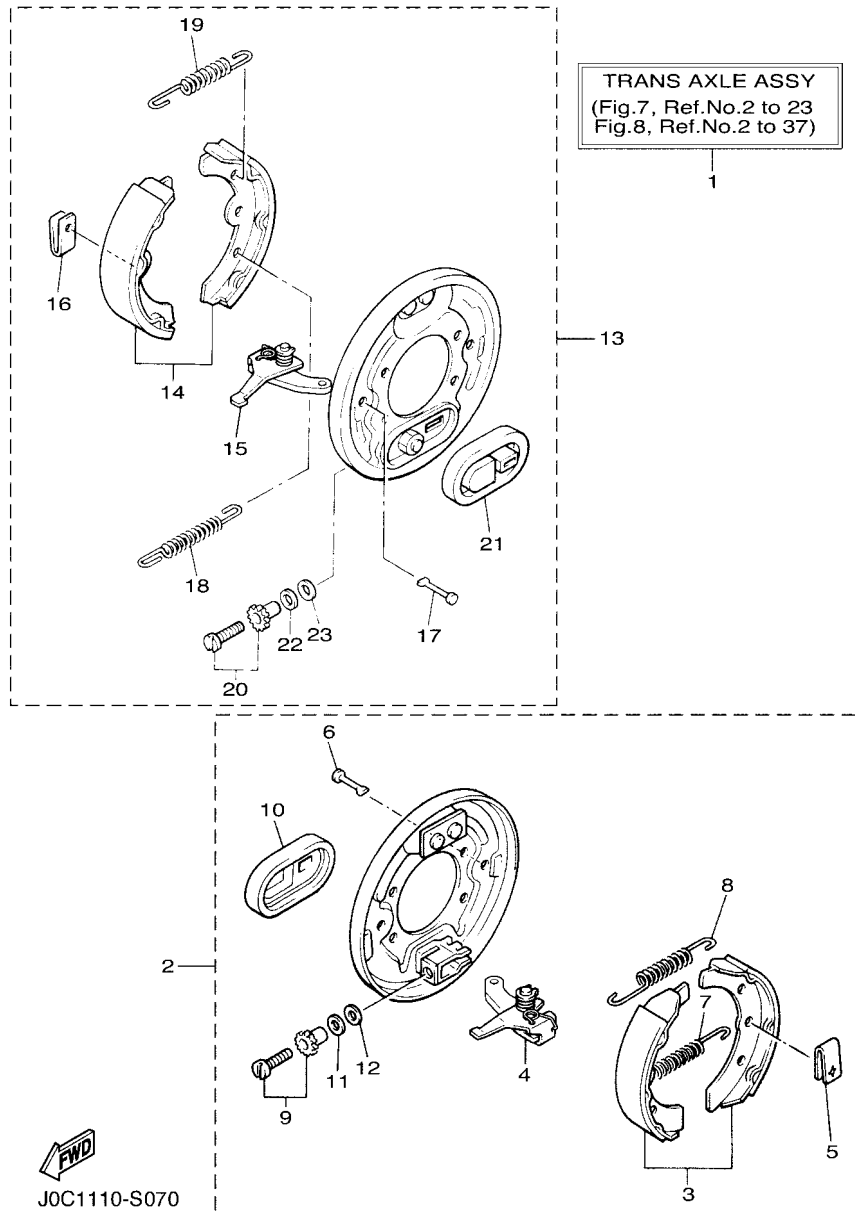


J0C3100-U060

FIG. 6 PEDAL ASSEMBLY

REF. NO.	PART NO.	DESCRIPTION	J0J3		REMARKS
28	J0G-F7825-00	.SPRING, RETURN	1		
29	JW8-F7119-00	.WASHER	2		
30	JW9-F7245-10	.PAD, BRAKE PEDAL	1		
31	JW8-F7316-01	.SPRING, SIDE STAND	1		
32	JW8-F7217-00	.BOLT	1		
33	JW9-F7445-31	.PLATE 1	1		
34	JW8-F7213-20	.COLLAR	1		
35	JW9-F7853-00	.SHAFT, PEDAL 1	1		
36	J0G-F7871-01	.PEDAL, ACCELERATOR	1		
37	JW9-F7872-20	.ARM, ACCELERATOR PEDAL	1		
38	JW8-F7438-00	.PIN, CLEVIS	1		
39	JW8-F7434-00	.BOLT	1		
40	JW8-F7317-00	.BOLT	1		
41	JW8-F7118-00	.NUT	1		
42	J0G-F815H-00	.SPRING	1		
43	JW8-F7814-21	.BUSH, PEDAL	2		
44	JW8-F4486-00	.O-RING	4		
45	JW9-F5673-00	.DAMPER, BRAKE	1		
46	JW9-F7246-20	.NAIL, BRAKE	1		
47	JW8-F8331-00	.BOLT, LEG SHIELD	2		
48	JW8-F4486-00	.O-RING	2		
49	JW9-F7263-00	.BRACKET 1	1		
50	JW9-F4648-20	.O-RING	1		
51	JW8-F41B8-00	.O-RING	1		
52	JW9-H5885-00	.THROTTLE SENSOR ASSY	1		
53	JW9-F5827-00	.SHIM, CALIPER	1		UR T: 0.5 MM
	JW9-F5827-10	.SHIM, CALIPER	1		UR T: 0.9 MM

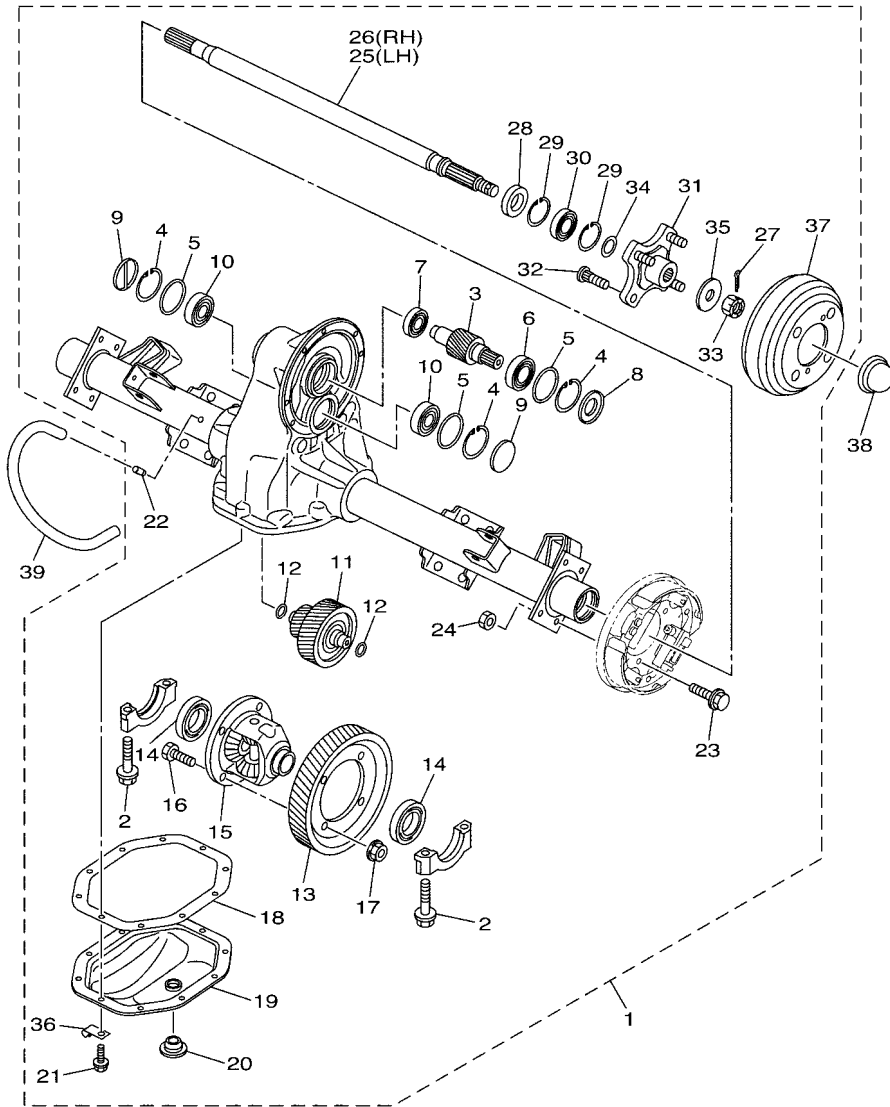




**FIG. 7 BRAKE**

REF. NO.	PART NO.	DESCRIPTION	J0J3				REMARKS
1	J0C-G6300-01	TRANS AXLE ASSY	1				
2	JW8-F7290-10	..BACKING PLATE ASSY 2	1				
3	JN9-W2536-11	..BRAKE SHOE SET	1				
4	J38-27205-00	..LEVER ASSY 2	1				
5	JW8-F7281-00	..SPRING, SHOE CLAMP	2				
6	J10-27282-00	..PIN, SHOE HOLD DOWN	2				
7	90506-20281	..SPRING, TENSION	1				
8	90506-14001	..SPRING, TENSION	1				
9	J55-27260-00	..ADJUSTER ASSY	1				
10	JW8-F7286-00	..COVER, DUST	1				
11	90201-121H9	..WASHER, PLATE	1				
12	90201-121H8	..WASHER, PLATE	1				
13	JW8-F7280-10	..BACKING PLATE ASSY 1	1				
14	JN9-W2536-11	..BRAKE SHOE SET	1				
15	J38-27204-00	..LEVER ASSY 1	1				
16	JW8-F7281-00	..SPRING, SHOE CLAMP	2				
17	J10-27282-00	..PIN, SHOE HOLD DOWN	2				
18	90506-20281	..SPRING, TENSION	1				
19	90506-14001	..SPRING, TENSION	1				
20	J55-27270-00	..ADJUSTER ASSY	1				
21	JW8-F7286-00	..COVER, DUST	1				
22	90201-121H9	..WASHER, PLATE	1				
23	90201-121H8	..WASHER, PLATE	1				



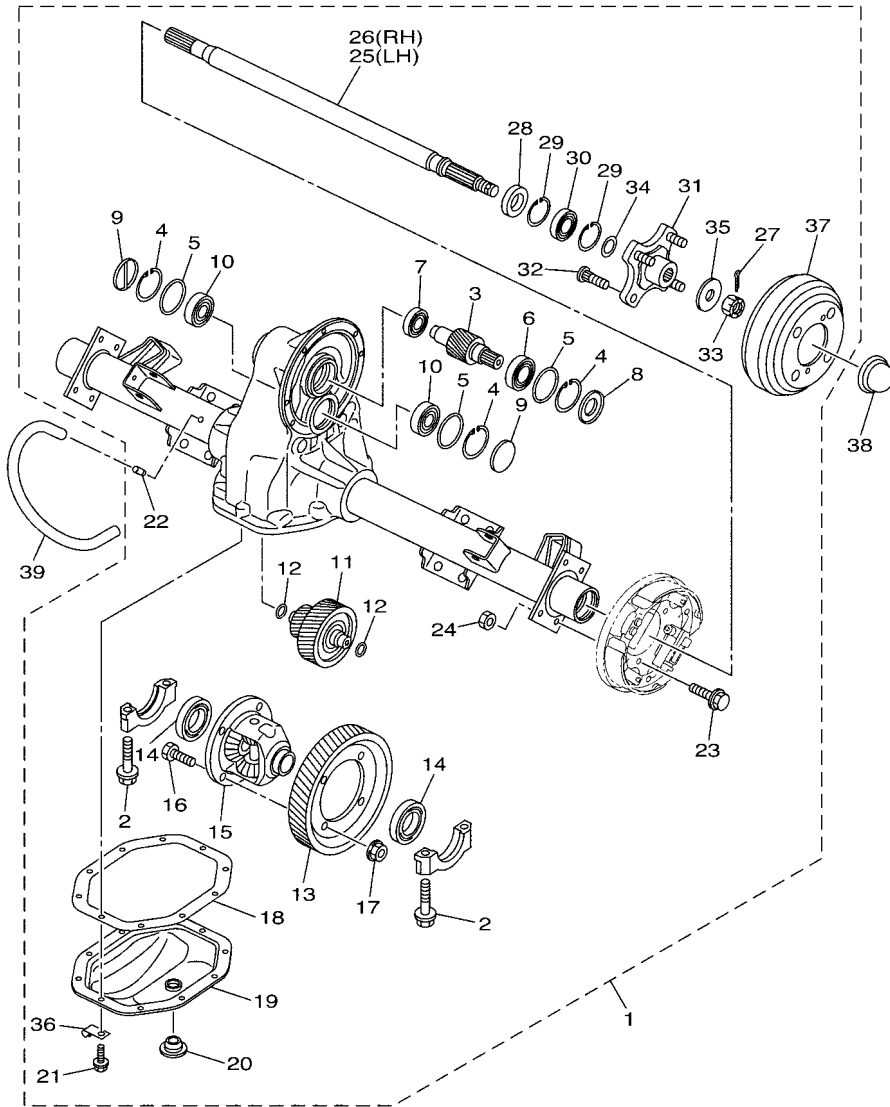


J0C1110-S080

FIG. 8 TRANSAXLE

REF. NO.	PART NO.	DESCRIPTION	J03				REMARKS
1	J0C-G6300-01	TRANS AXLE ASSY	1				
2	90105-10840	.BOLT, FLANGE	4				
3	JW9-G6321-00	.SHAFT, INPUT	1				
4	93420-50804	.CIRCLIP	3				
5	93210-478B8	.O-RING	3				
6	93306-005Y1	.BEARING	1				
7	93306-203X1	.BEARING	1				
8	JW9-G6136-00	.SEAL 1	1				
9	JH7-G3396-01	.PLUG, BLIND	2				
10	93306-303Y6	.BEARING	2				
11	JW9-G6350-00	.COUNTER GEAR ASSY	1				
12	93210-148B9	.O-RING	2				
13	JW9-G6421-00	.GEAR, RING	1				
14	93306-007Y0	.BEARING	2				
15	JW9-G6410-00	.DIFFERENTIAL ASSY.	1				
16	90101-10854	.BOLT	4				
17	90170-10840	.NUT	4				
18	JW9-G631A-00	.GSKT., CASE	1				
19	JW9-G6312-00	.CASE, TRANSMISSION 2	1				
20	JN3-G6432-00	.STOPPER	1				
21	90101-08856	.BOLT	10				
22	JW8-G5378-00	.NIPPLE, HOSE	1				
23	90101-08855	.BOLT	8				
24	90170-08841	.NUT	8				
25	JR1-G6511-00	.SHAFT, REAR AXLE 1 (L.H)	1				
26	JR1-G6512-00	.SHAFT, REAR AXLE 2 (R.H)	1				
27	91490-30030	.PIN. COTTER	2				

**FIG. 8 TRANSAXLE**



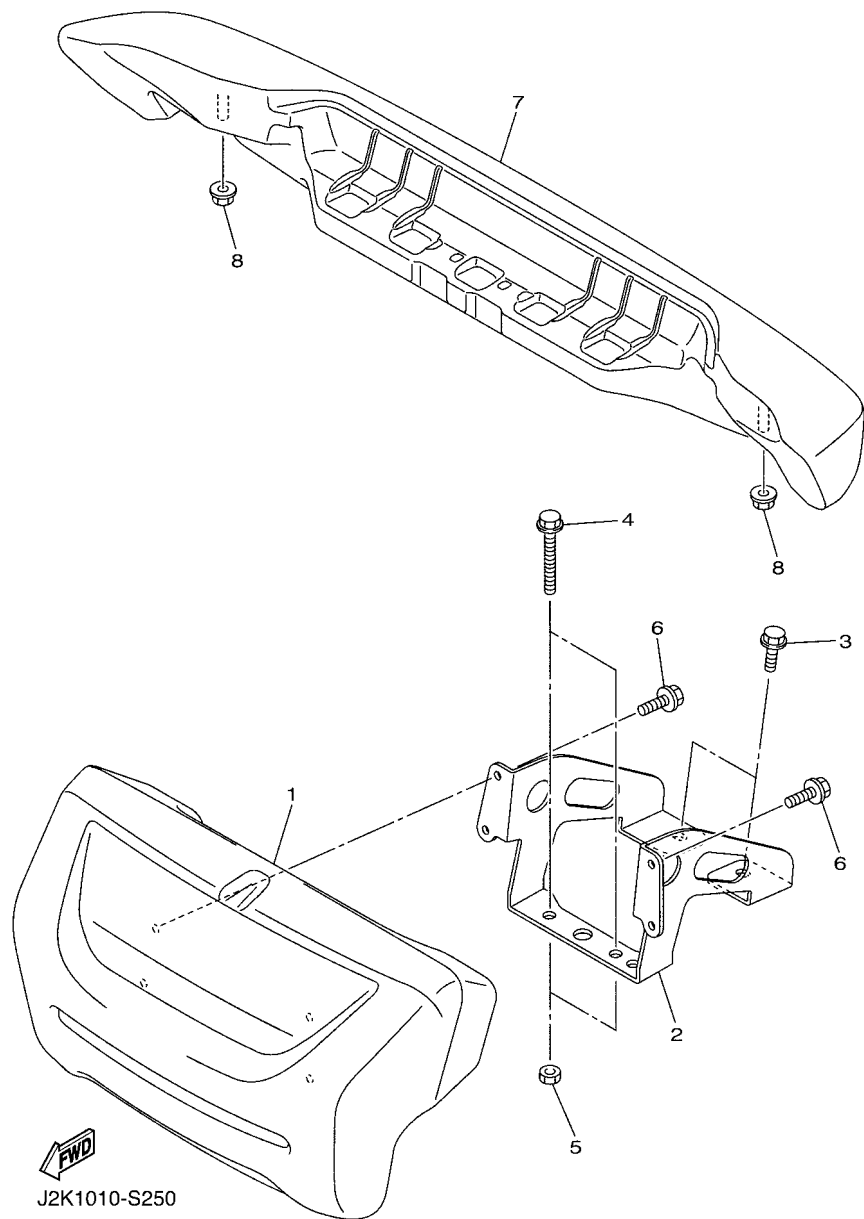
REF. NO.	PART NO.	DESCRIPTION	JOB				REMARKS
28	93101-24822	.OIL SEAL	2				
29	93420-44805	.CIRCLIP	4				
30	93306-00440	.BEARING	2				
31	JW8-G6514-00	.HUB, REAR AXLE	2				
32	JW8-G4178-00	.BOLT, STUD	8				
33	JW8-G5244-00	.NUT	2				
34	JW8-G2535-00	.WASHER, THRUST	2				
35	JW8-G2536-00	.WASHER, THRUST 2	2				
36	JW8-G2756-00	.STAY, CLAMP	1				
37	JW8-G6521-00	.DRUM	2				
38	JW8-F5118-00	COVER, HUB DUST	2				
39	JW8-G2541-00	PIPE 1	1				



J0C1110-S080



**FIG. 10 BUMPER**



REF. NO.	PART NO.	DESCRIPTION	JOB'S	REMARKS
1	J0B-K7510-01	FRONT BUMPER COMP.	1	
2	J0B-K8164-00	STAY, FRONT BUMPER (L.H)	1	
3	95812-08016	BOLT, FLANGE	2	
4	95812-08050	BOLT, FLANGE	2	
5	95302-08700	NUT, HEXAGON	2	
6	95822-06012	BOLT, FLANGE	4	
7	J0B-K7540-00	REAR BUMPER COMP.	1	
8	95602-10200	NUT, S/L FLANGE	2	

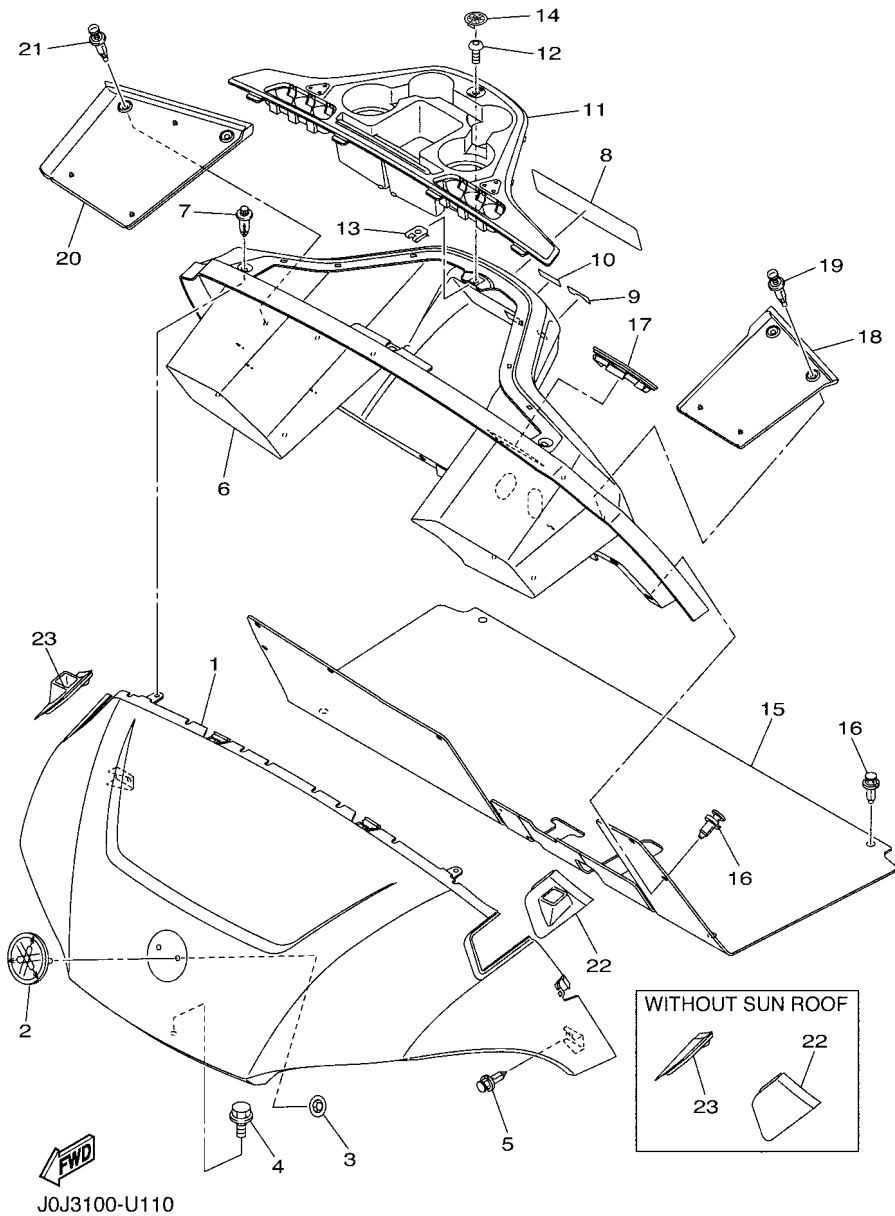
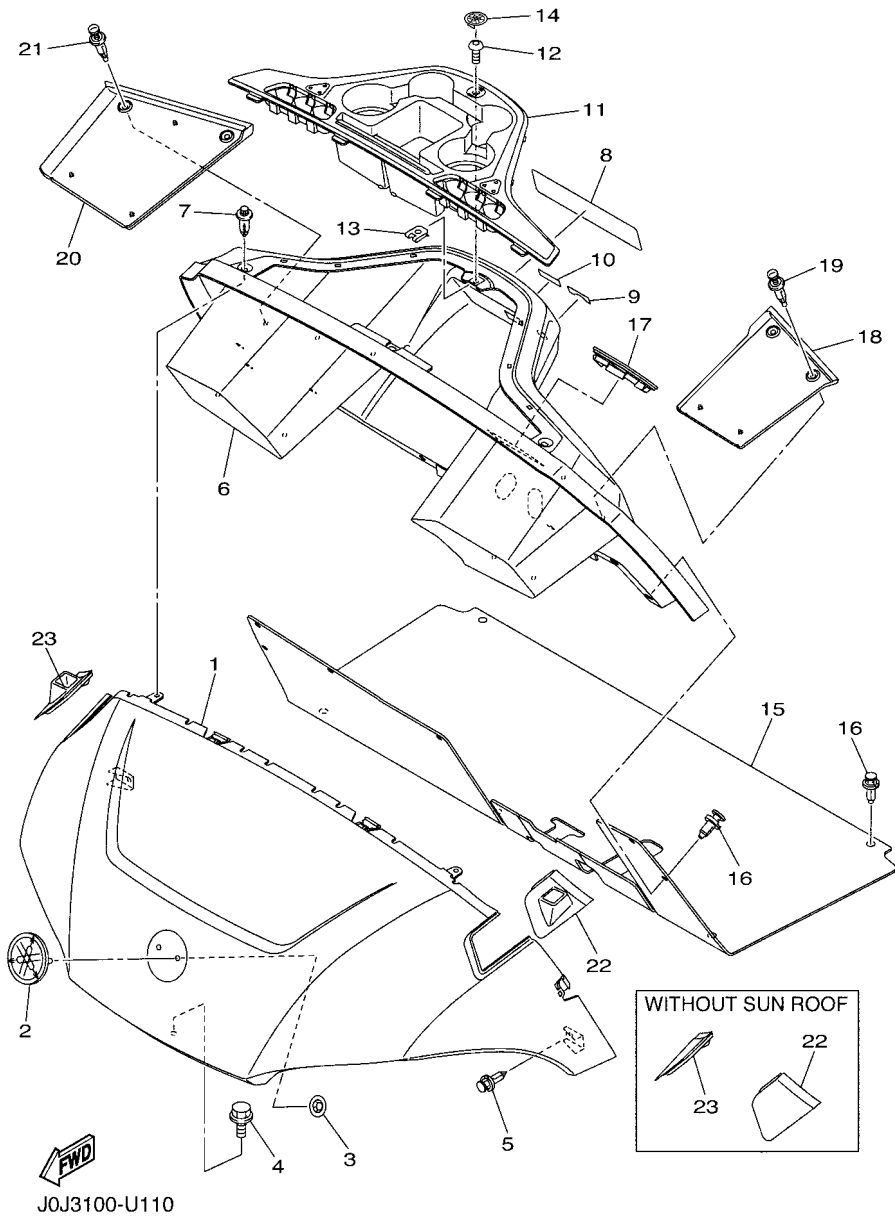


FIG. 11 BODY

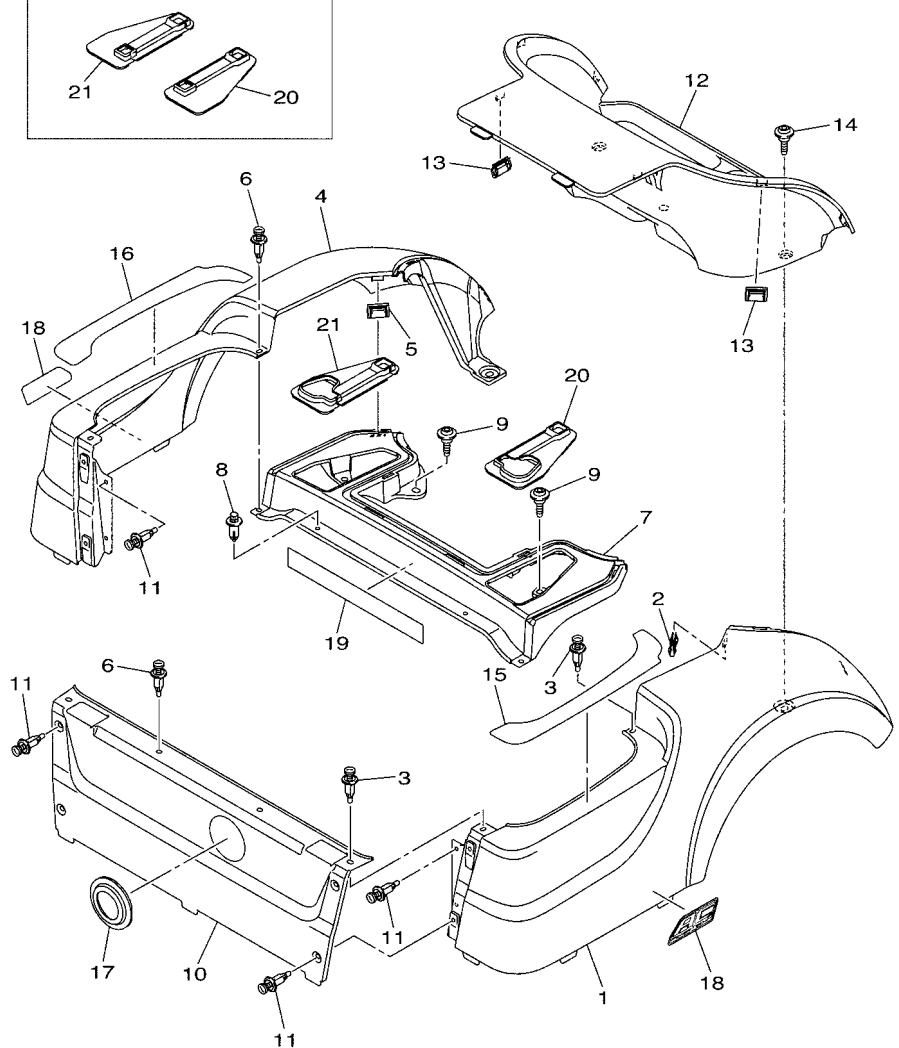
REF. NO.	PART NO.	DESCRIPTION	J0J3		REMARKS
1	J0B-K8115-A0	COWL, FRONT	1		UR FOR BW1
	J0B-K8115-10	COWL, FRONT	1		UR FOR VDGS1
	J0B-K8115-00	COWL, FRONT	1		UR FOR DNBME
	J0B-K8115-20	COWL, FRONT	1		UR FOR LNYM8
	J0B-K8115-30	COWL, FRONT	1		UR FOR LNMP
	J0B-K8115-40	COWL, FRONT	1		UR FOR DYNM2
	J0B-K8115-B0	COWL, FRONT	1		UR FOR NYS4
	J0B-K8115-50	COWL, FRONT	1		UR FOR HTR
	J0B-K8115-60	COWL, FRONT	1		UR FOR DNMC
2	J0B-F4161-00	EMBLEM 1	1		
3	JU0-K7573-00	NUT, SPECIAL	2		
4	90105-06831	BOLT, FLANGE	1		
5	90269-06804	RIVET	2		
6	J0B-K8114-10	PANEL, FRONT	1		UR FOR CAN
	J0E-K8114-01	PANEL, FRONT	1		UR EXCEPT FOR CAN
7	90269-08001	RIVET	3		
8	J0B-K7768-00	LABEL, WARNING 8	1		UR ENGLISH
	J0B-K7768-10	LABEL, WARNING 8	1		UR ENGLISH/FRENCH
	J0B-K7768-20	LABEL, WARNING 8	1		UR GERMAN/SPANISH
9	J0B-K8282-00	PLATE, SWITCH PANEL	1		
10	J0C-K7741-00	INDICATOR 1	1		
11	J0B-K835E-00	HOLDER, BEVERAGE	1		
12	90111-05805	BOLT, HEX. SOCKET BUTTON	1		
13	90183-05008	NUT, SPRING	1		
14	J0B-H2370-00	PLUG CAP ASSY	1		
15	J0B-K8233-00	MAT, MAIN FLOOR 3	1		
16	90269-09003	RIVET	12		



**FIG. 11 BODY**

REF. NO.	PART NO.	DESCRIPTION	J0J3	REMARKS
17	J0B-K8273-10	COVER, HOLE	1	
18	J0B-K8243-00	MAT, REAR BODY SIDE (LH)	1	
19	90269-07805	RIVET	2	
20	J0B-K8244-00	MAT, REAR BODY SIDE (RH)	1	
21	90269-07805	RIVET	2	
22	J1B-K832F-00	GROMMET, ROOF SUPPORT 1	1	WITH SUN ROOF
	J0B-K832F-00	GROMMET, ROOF SUPPORT 1	1	WITHOUT SUN ROOF
23	J1B-K832G-00	GROMMET, ROOF SUPPORT 2	1	WITH SUN ROOF
	J0B-K832G-00	GROMMET, ROOF SUPPORT 2	1	WITHOUT SUN ROOF

WITHOUT SUN ROOF

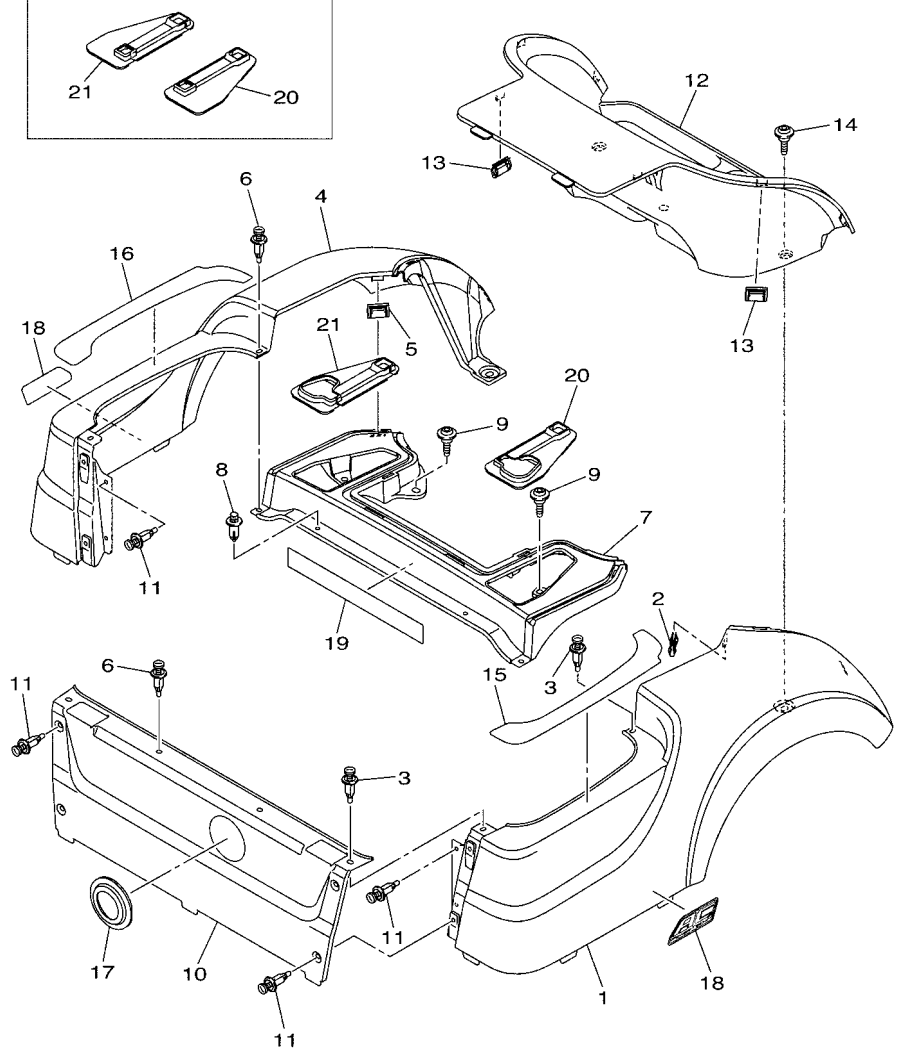


J0J1100-S120

FIG. 12 BODY 2

REF. NO.	PART NO.	DESCRIPTION	J0J3				REMARKS
1	J0B-K8111-A0	PANEL, BODY SHELL	1				UR FOR BW1
	J0B-K8111-10	PANEL, BODY SHELL	1				UR FOR VDGS1
	J0B-K8111-00	PANEL, BODY SHELL	1				UR FOR DNBME
	J0B-K8111-20	PANEL, BODY SHELL	1				UR FOR LNYM8
	J0B-K8111-30	PANEL, BODY SHELL	1				UR FOR LNMP
	J0B-K8111-40	PANEL, BODY SHELL	1				UR FOR DYNM2
	J0B-K8111-B0	PANEL, BODY SHELL	1				UR FOR NYS4
	J0B-K8111-50	PANEL, BODY SHELL	1				UR FOR HTR
	J0B-K8111-60	PANEL, BODY SHELL	1				UR FOR DNMC
2	J0B-F3447-00	CLIP	1				
3	90269-07805	RIVET	3				
4	J0B-K8112-A0	PANEL, BODY SHELL	1				UR FOR BW1
	J0B-K8112-10	PANEL, BODY SHELL	1				UR FOR VDGS1
	J0B-K8112-00	PANEL, BODY SHELL	1				UR FOR DNBME
	J0B-K8112-20	PANEL, BODY SHELL	1				UR FOR LNYM8
	J0B-K8112-30	PANEL, BODY SHELL	1				UR FOR LNMP
	J0B-K8112-40	PANEL, BODY SHELL	1				UR FOR DYNM2
	J0B-K8112-B0	PANEL, BODY SHELL	1				UR FOR NYS4
	J0B-K8112-50	PANEL, BODY SHELL	1				UR FOR HTR
	J0B-K8112-60	PANEL, BODY SHELL	1				UR FOR DNMC
5	J0B-F3447-00	CLIP	1				
6	90269-07805	RIVET	3				
7	J0B-K819H-00	SHELL, REAR BODY	1				
8	JW7-K7329-00	RIVET	2				
9	J0B-F1738-00	BOLT	4				
10	J0C-K8141-A0	PANEL, INTERMEDIATE BODY	1				UR FOR BW1
	J0C-K8141-10	PANEL, INTERMEDIATE BODY	1				UR FOR VDGS1

WITHOUT SUN ROOF



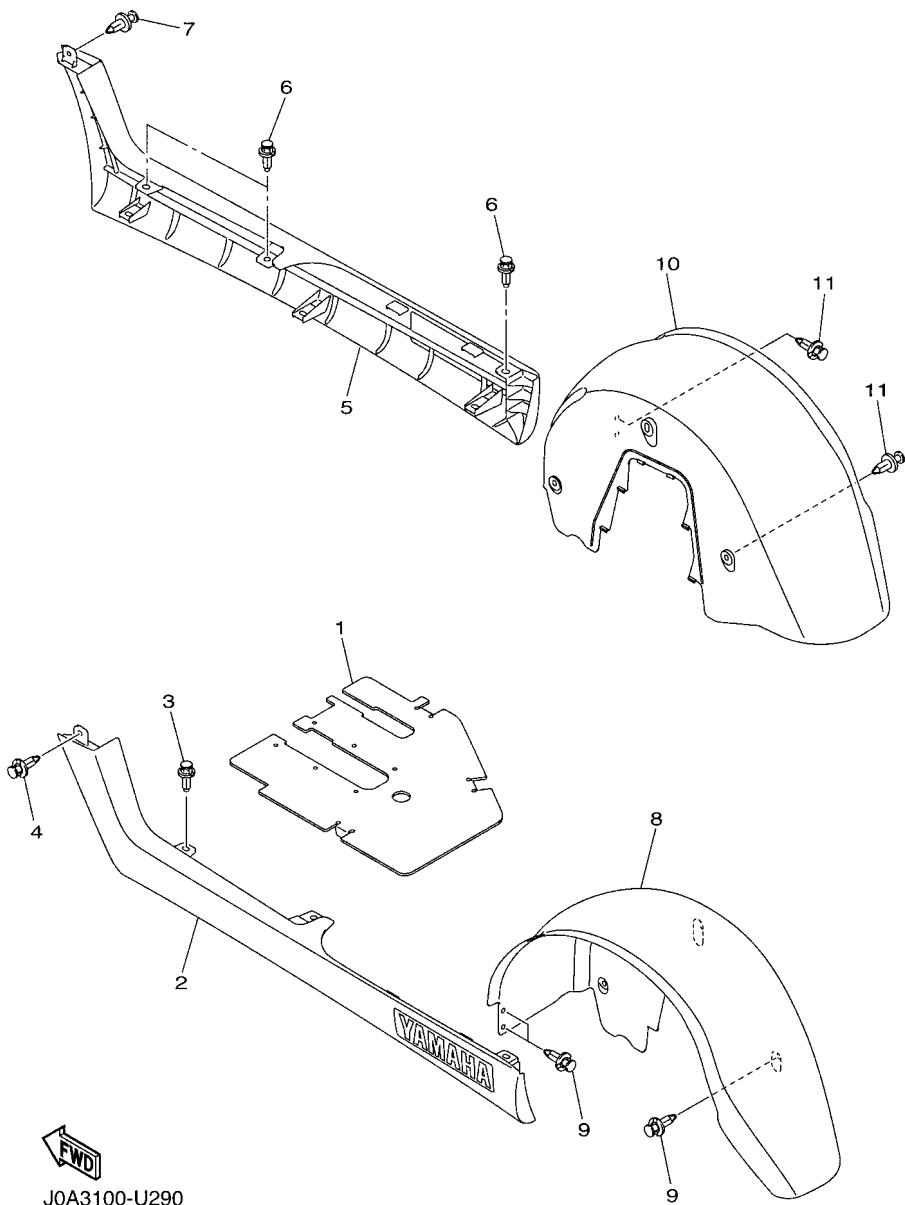
J0J1100-S120

FIG. 12 BODY 2

REF. NO.	PART NO.	DESCRIPTION	J0J3			REMARKS
10	J0B-K8141-00	PANEL, INTERMEDIATE BODY	1			UR FOR DNBME
	J0C-K8141-20	PANEL, INTERMEDIATE BODY	1			UR FOR LNYM8
	J0C-K8141-30	PANEL, INTERMEDIATE BODY	1			UR FOR LNMP
	J0C-K8141-40	PANEL, INTERMEDIATE BODY	1			UR FOR DYNM2
	J0C-K8141-B0	PANEL, INTERMEDIATE BODY	1			UR FOR NYS4
	J0C-K8141-50	PANEL, INTERMEDIATE BODY	1			UR FOR HTR
	J0C-K8141-60	PANEL, INTERMEDIATE BODY	1			UR FOR DNMC
11	90269-07805	RIVET	8			
12	J0B-K8237-02	COVER, REAR FLOOR	1			FOR 2 BAGS
13	J0B-F3447-00	CLIP	4			
14	J0B-F1738-00	BOLT	2			
15	J0B-F2873-01	SEAL 1	1			
16	J0B-F2874-01	SEAL 2	1			
17	J0C-K827A-00	GUIDE 1	1			
18	J0J-F1781-00	EMBLEM 1	2			
19	JW9-K8297-01	PLATE, CAUTION 1	1			UR ENGLISH/FRENCH
	JW9-K8297-11	PLATE, CAUTION 1	1			UR GERMAN/SPANISH
20	J0B-K817H-10	TRIM, SIDE PANEL 1	1			WITH SUN ROOF
	J0B-K817H-00	TRIM, SIDE PANEL 1	1			WITHOUT SUN ROOF
21	J0B-K817J-10	TRIM, SIDE PANEL 2	1			WITH SUN ROOF
	J0B-K817J-00	TRIM, SIDE PANEL 2	1			WITHOUT SUN ROOF

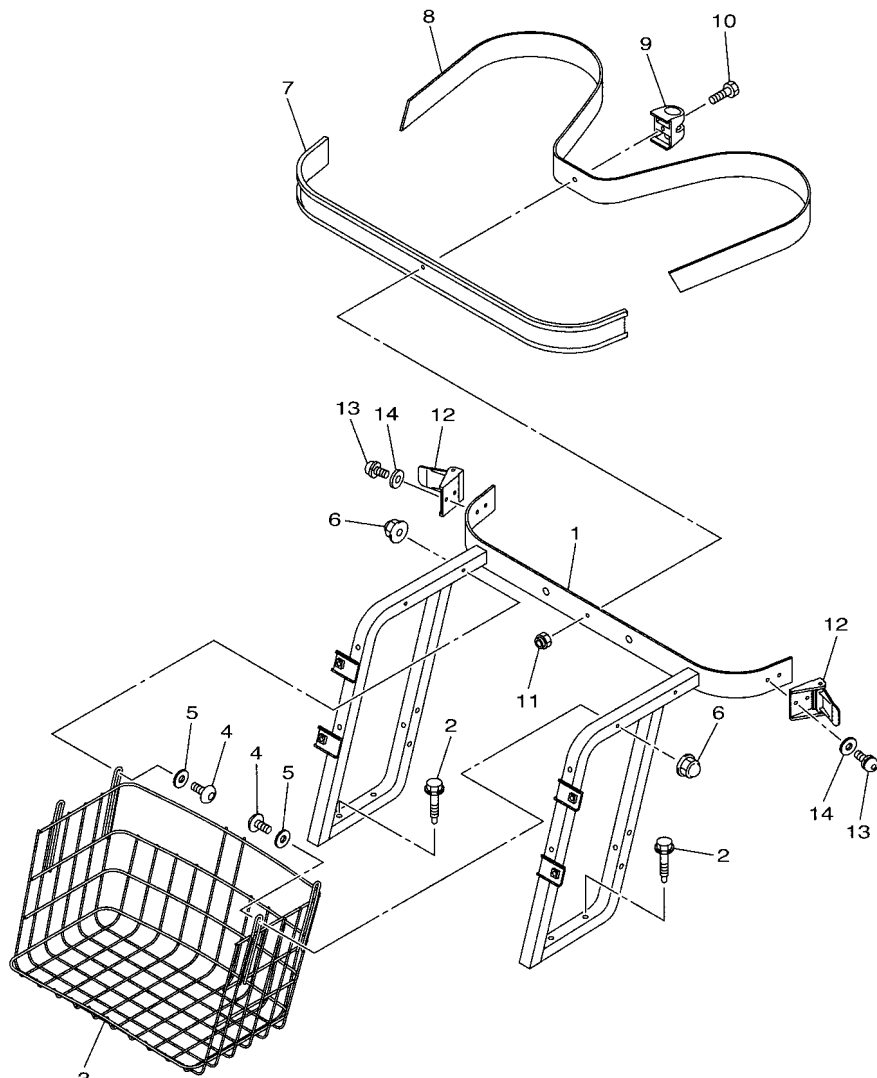


**FIG. 13 BODY FITTING**



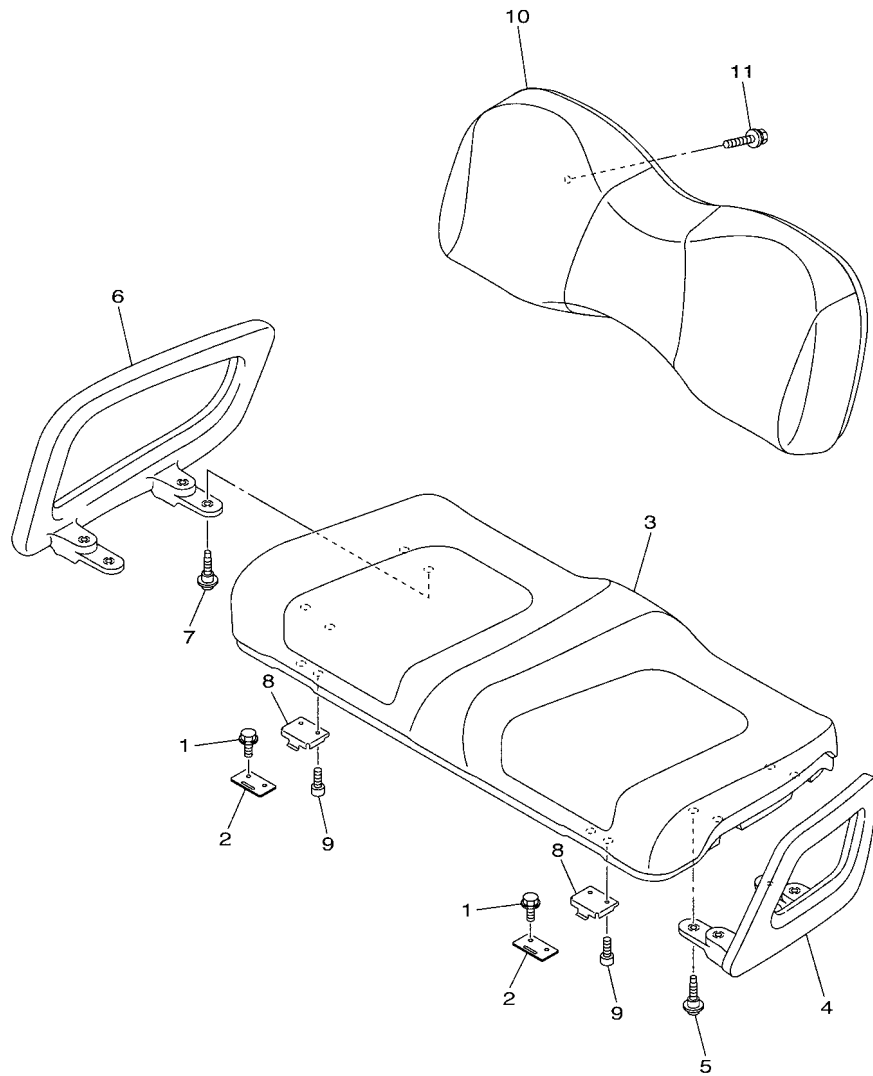
REF. NO.	PART NO.	DESCRIPTION	JOB3				REMARKS
1	J0B-K8271-01	SERVICE LID, PEDAL	1				
2	J0B-K818A-00	PROTECTOR, SIDE PLATE	1				
3	90269-09003	RIVET	3				
4	90269-06804	RIVET	1				
5	J0B-K818B-00	PROTECTOR, SIDE PLATE 2	1				
6	90269-09003	RIVET	3				
7	90269-06804	RIVET	1				
8	J0B-K8191-00	PANEL, REAR FENDER 1	1				
9	90269-06804	RIVET	5				
10	J0B-K8192-00	PANEL, REAR FENDER 2	1				
11	90269-06804	RIVET	5				

**FIG. 14 CARRIER**



J0B1110-S280

REF. NO.	PART NO.	DESCRIPTION	J0J3				REMARKS
1	J0B-K8423-00	SUPPORT, SEAT BACK	1				
2	90109-08178	BOLT	4				
3	JW1-K8340-00	LUGGAGE RACK ASSY., REAR	1				
4	92017-06040	BOLT, BUTTON HEAD	4				
5	J0B-K7389-00	WASHER	4				
6	90176-06008	NUT, CROWN	4				
7	JF2-K8356-00	PAD, BAG SUPPORT	1				
8	JN6-K8355-20	BAND	1				
9	JW1-K834G-00	HOLDER, RAKE SAND	1				
10	9708R-06020	BOLT	1				
11	90185-06836	NUT, SELF-LOCKING	1				
12	JN6-K8380-00	LOCK ASSY	2				
13	90159-06845	SCREW, WITH WASHER	4				
14	9299R-06200	WASHER	4				



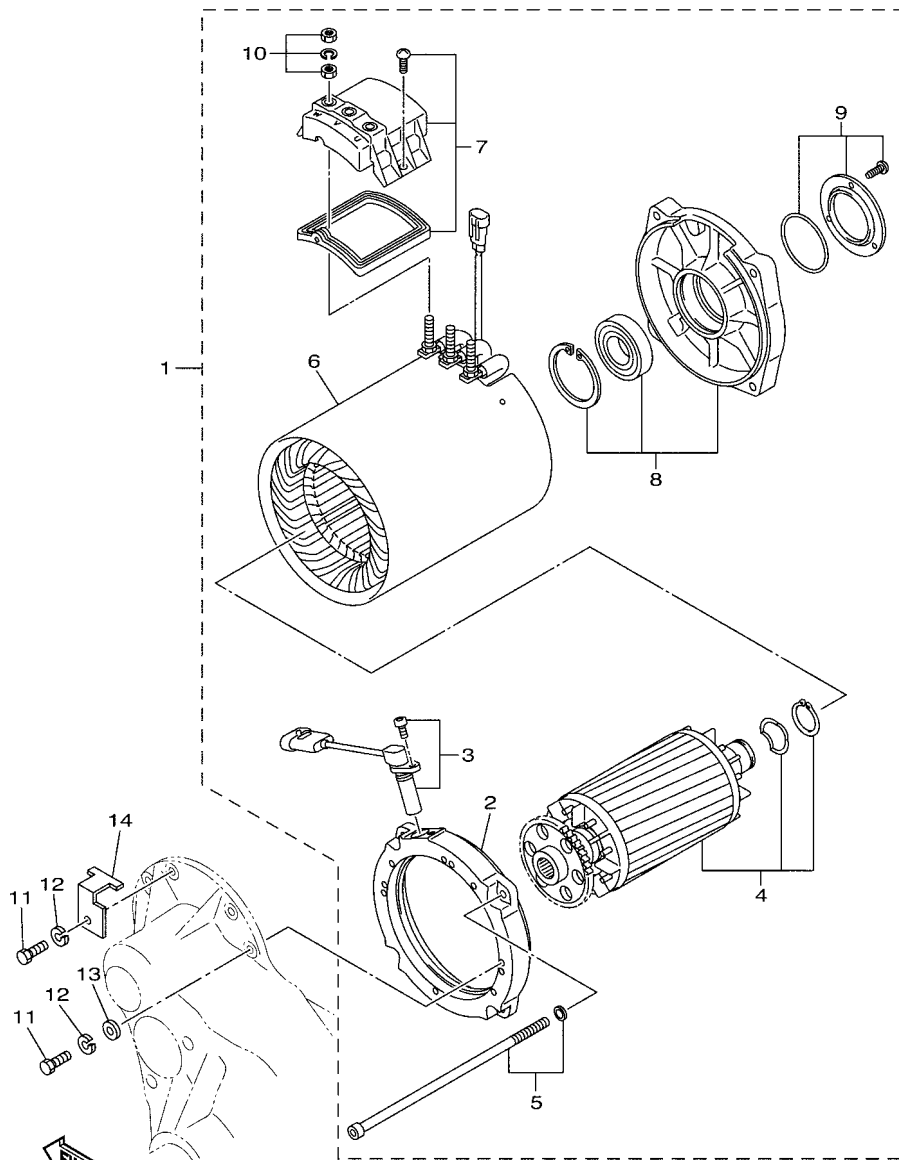
**FIG. 15 SEAT**

REF. NO.	PART NO.	DESCRIPTION	JOB				REMARKS
1	JW9-H1674-00	BOLT	4				
2	JW1-K8427-00	HINGE, SEAT 2	2				
3	J0A-K8401-00	SEAT SUB-ASSY,CUSHION	1				
4	J0B-K8361-00	ARM REST 1	1				
5	J0B-F1738-00	BOLT	4				
6	J0B-K8362-00	ARM REST 2	1				
7	J0B-F1738-00	BOLT	4				
8	J0B-K8426-01	HINGE, SEAT 1	2				
9	90110-06125	BOLT, HEXAGON SOCKET HEAD	4				
10	JW1-K8402-10	SEAT SUB ASSY, BACK	1				
11	90119-06808	BOLT, WITH WASHER	4				



J0B1110-S290

**FIG. 16 ELECTRIC MOTOR**



J0H1100-U170

REF. NO.	PART NO.	DESCRIPTION	J0J3				REMARKS
1	JW3-H1890-10	MOTOR ASSY	1				
2	JW3-H183J-00	.BRACKET, FRONT	1				
3	JW3-H3756-00	.SENSOR, UNIT	1				
4	JW3-H1155-00	.ARMATURE	1				
5	JW3-H2379-00	.SCREW, UNIT	1				
6	JW3-H1117-10	.STATOR	1				
7	JW3-H165G-00	.PLTE, TERMINAL	1				
8	JW3-H182J-00	.BRACKET COMPLETE	1				
9	JW3-H1869-00	.COVER, DUST	1				
10	JW3-H182V-00	.NUT & WASHER KIT	1				
11	90101-069U0	BOLT	3				
12	90215-06811	WASHER, LOCK	3				
13	90201-068E2	WASHER, PLATE	2				
14	JU2-H218E-01	RELIEF, STRAIN 1	1				



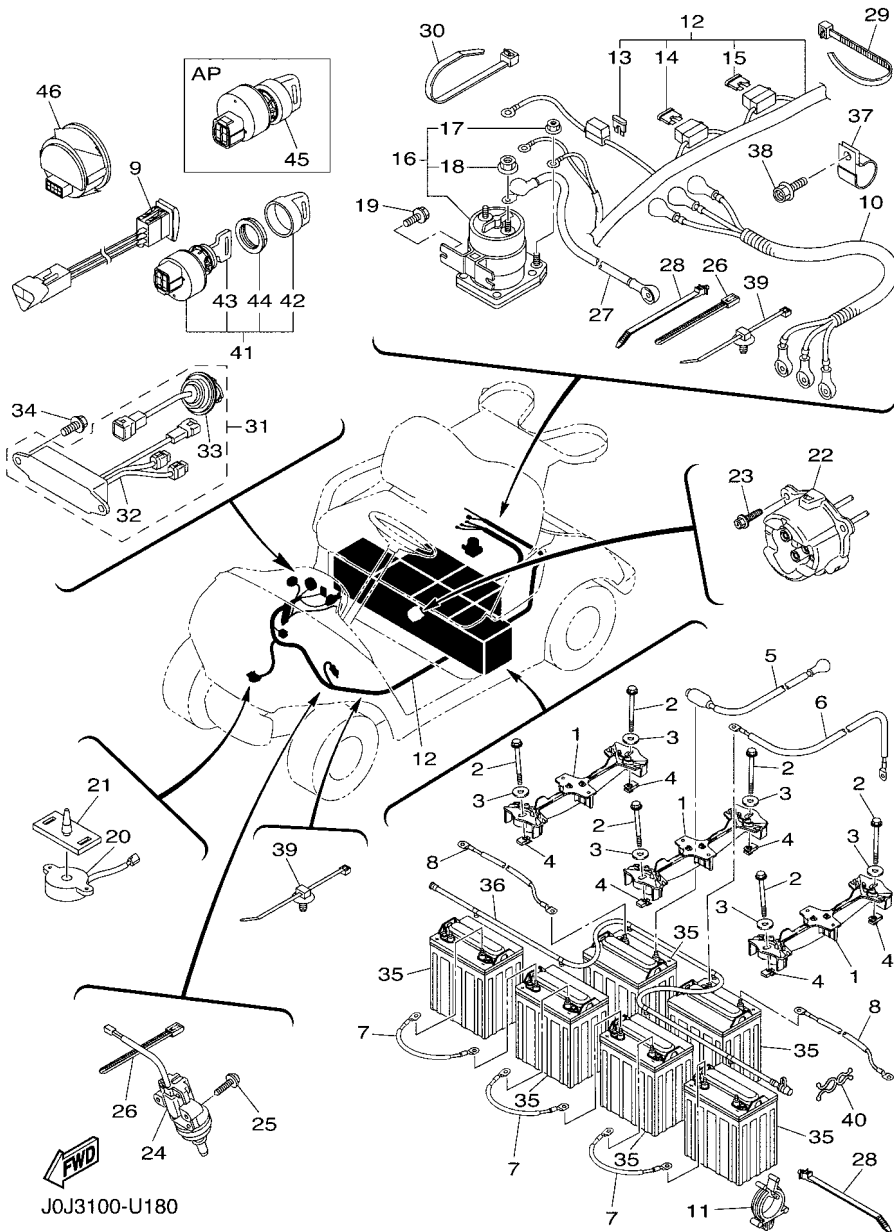


FIG. 18 ELECTRICAL 1

REF. NO.	PART NO.	DESCRIPTION	J0J3	REMARKS
1	JW9-H2136-00	PLATE, BATTERY FITTING	3	
2	JW9-H1892-00	BOLT, SPECIAL	6	
3	90201-08310	WASHER, PLATE	6	
4	JW9-K811K-00	NUT, TRIM FITTING	6	
5	JC1-H2115-00	WIRE, PLUS LEAD	1	
6	JC1-H2116-00	WIRE, MINUS LEAD	1	
7	JC1-H2127-00	WIRE, LEAD 2	3	
8	JC1-H2149-00	WIRE, LEAD 3	2	
9	JU2-H2917-00	SWITCH	1	
10	JC1-H1441-00	LEAD WIRE ASSY	1	
11	90464-25826	CLAMP	3	
12	J0J-H2590-10	WIRE HARNESS ASSY	1	
13	J0C-H2151-00	.FUSE (5A)	1	
14	JR1-H2151-00	.FUSE (3A)	1	
15	J0E-H2151-10	.FUSE (1A)	1	
16	JU6-H1950-00	RELAY ASSY	1	
17	90179-05807	.NUT	2	
18	90179-08824	.NUT	2	
19	90105-06831	BOLT, FLANGE	2	
20	JR1-H3383-02	BUZZER	1	
21	JN6-H3386-01	STAY, BUZZER	1	
22	JW9-H6181-00	RECEPTACLE	1	
23	JW1-F3394-00	BOLT, SPECIAL	3	
24	JF7-82817-22	SWITCH	1	
25	97602-05225	SCREW, PAN HEAD WITH WASHER	2	
26	90464-40825	CLAMP	2	
27	J0E-H6527-00	WIRE 7	1	

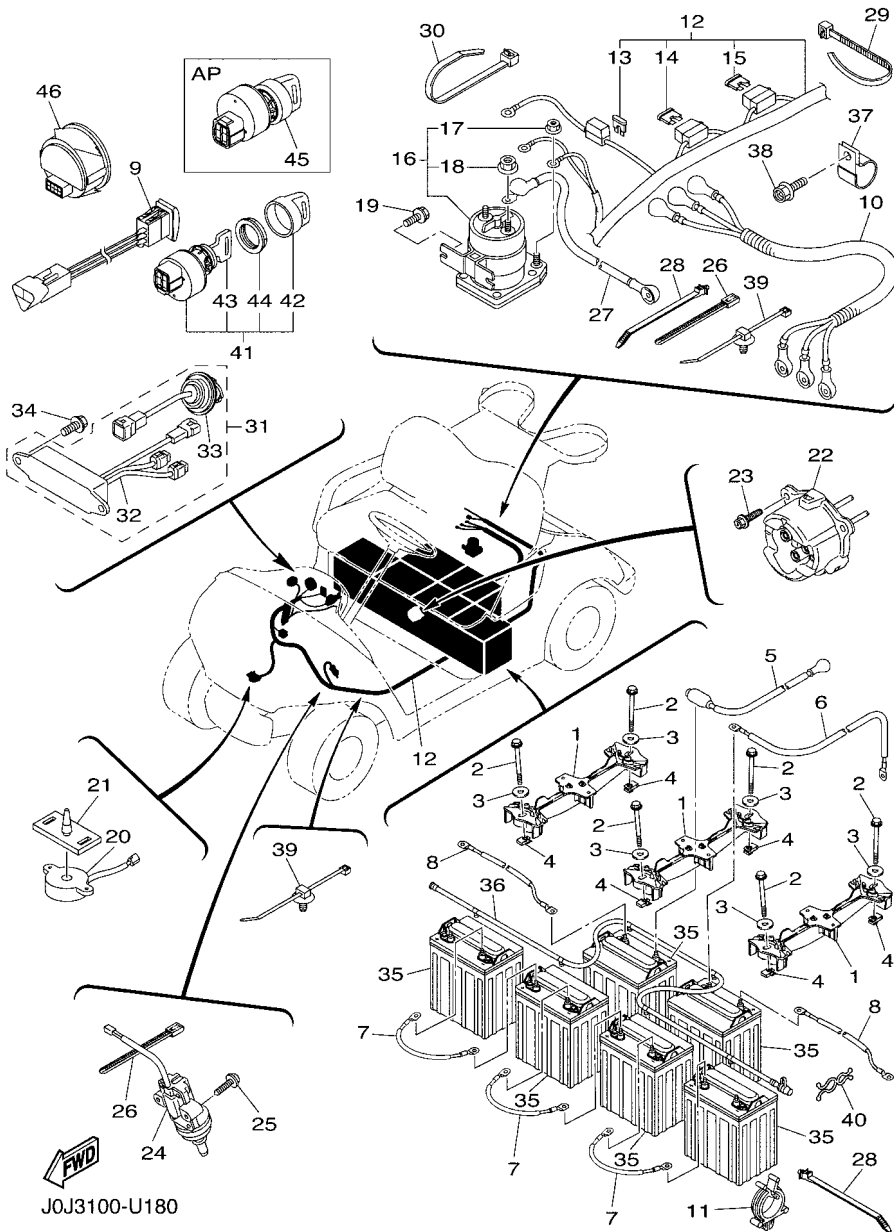
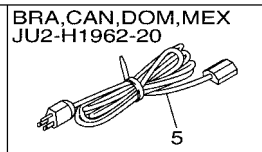
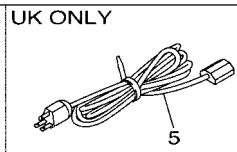
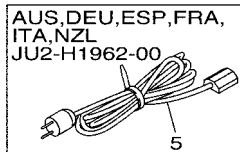
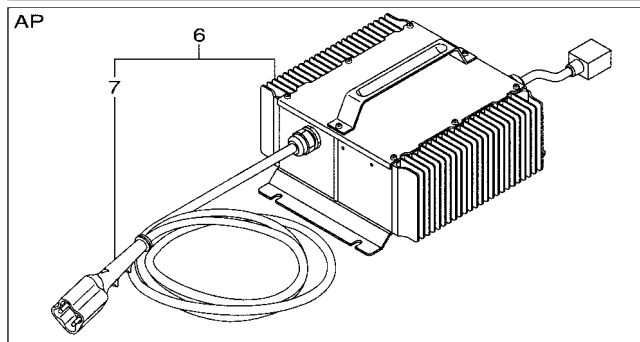
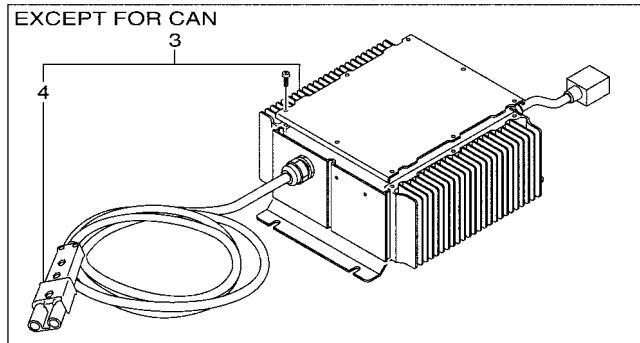
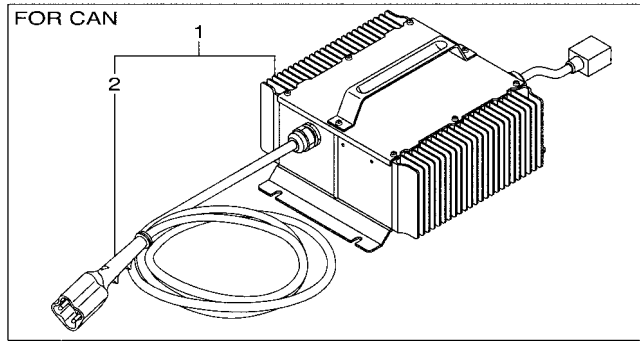


FIG. 18 ELECTRICAL 1

REF. NO.	PART NO.	DESCRIPTION	J0J3				REMARKS
28	90464-20005	CLAMP	3				
29	90464-48800	CLAMP	1				
30	90464-76800	CLAMP	1				
31	J0E-H21E0-01	USB ASSY	1				
32	J0E-H21E1-00	.PLUG, USB	1				
33	J0D-H21E2-01	.CABLE, USB	2				
34	90119-06868	BOLT, WITH WASHER	2				
35	*	BATTERY ASSY (8V, GC8)	6				LM
36	JW9-H210G-00	BATTERY WATERING SYSTEM ASSY.	1				
37	90461-14108	CLAMP	1				
38	90105-08867	BOLT, FLANGE	1				
39	1NS-F1338-00	CLAMP	3				
40	90464-14134	CLAMP	1				
41	JW1-H2510-00	MAIN SWITCH ASSY	1				STD
42	5UG-H2579-00	.CAP, KEY	1				
43	JU2-H2511-00	.KEY, MAIN SWITCH	2				
44	JU6-H2569-00	.NUT, MAIN SWITCH	1				
45	JU2-H2510-20	MAIN SWITCH ASSY	1				AP RANDOMKEY
46	JC1-H351B-01	GAUGE, BATTERY	1				EXCEPT FOR CAN

**FIG. 19 BATTERY CHARGER**



J0C3100-U190

REF. NO.	PART NO.	DESCRIPTION	J0J3				REMARKS
1	JW2-H2107-51	CHARGER, BATTERY	1				FOR CAN
2	JW2-H7209-20	.CHARGE CORD ASSY	1				FOR CAN
3	JW2-H2107-13	CHARGER, BATTERY	1				EXCEPT FOR CAN
4	JR1-H235A-00	.DC PLUG SET	1				EXCEPT FOR CAN
5	JU2-H1962-00	CORD COMP. (220V)	1				UR
	JU2-H1962-10	CORD COMP. (240V)	1				UR UK
	JU2-H1962-20	CORD COMP. (100V)	1				UR BRA,CAN,DOM,MEX
6	JW2-H2107-A1	CHARGER, BATTERY	1				AP
7	JW2-H7209-A0	.CHARGE CORD ASSY	1				



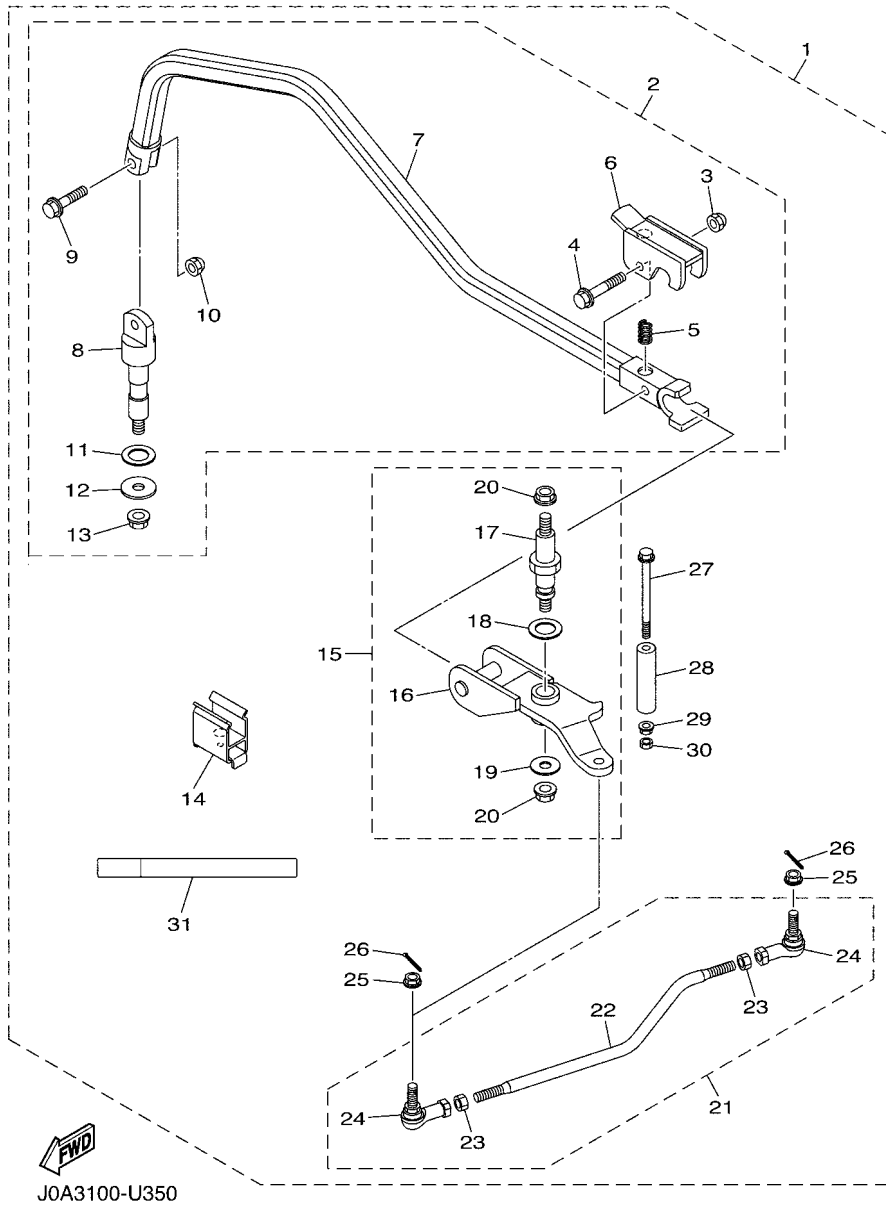
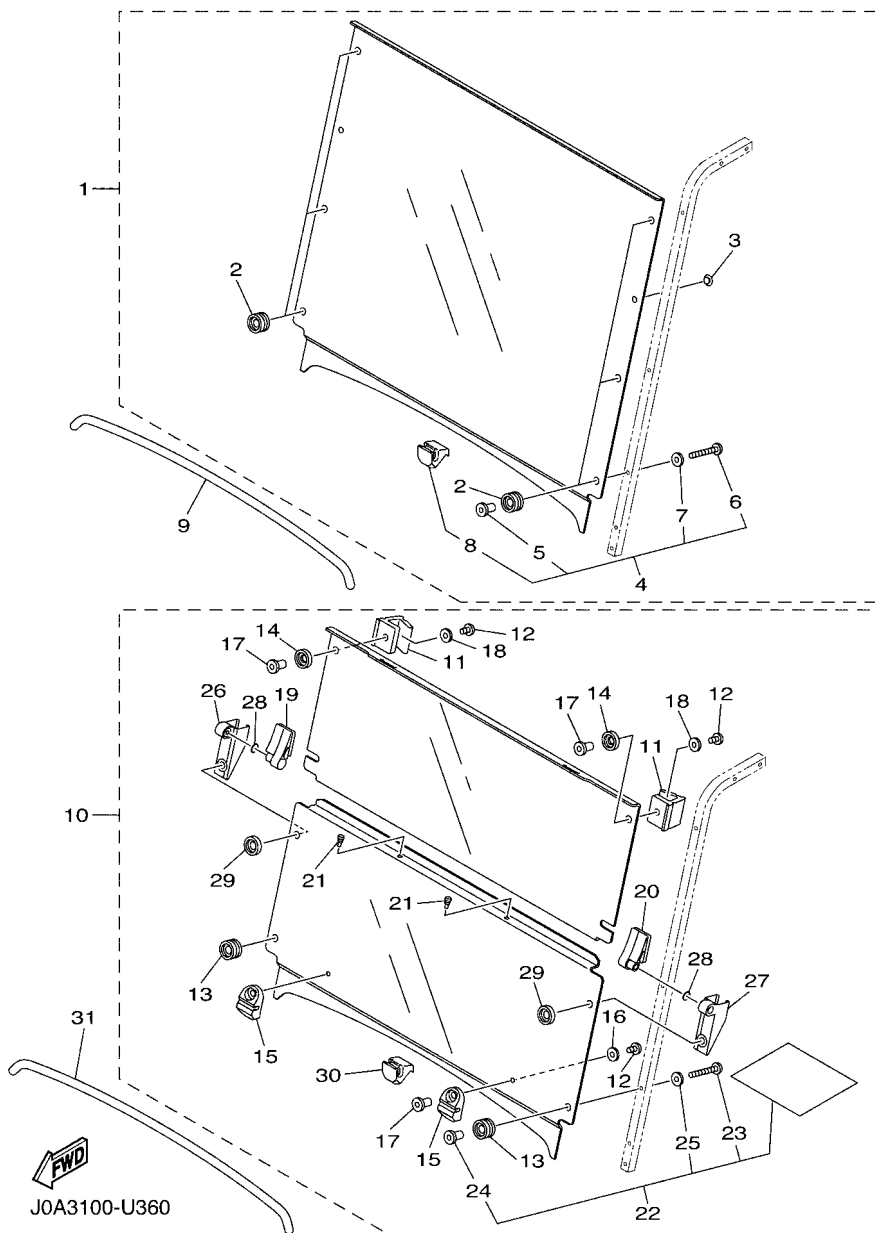


FIG. 20 ALTERNATE FOR CHASSIS

REF. NO.	PART NO.	DESCRIPTION	J0J3				REMARKS
1	J0B-F722B-A1	BAR, TOW	1				
2	J0B-F389J-A0	.DRAW BAR ASSY	1				
3	J0B-F4681-00	..NUT, CAP	1				
4	95802-10050	..BOLT, FLANGE	1				
5	J0B-F178D-A0	..SPRING, HOOK	1				
6	J0B-F381J-A0	..BAR, HANDLE	1				
7	J0B-F7224-00	..BAR, PEDAL LINK	1				
8	J0B-F2141-00	..SHAFT, PIVOT	1				
9	95802-10035	..BOLT, FLANGE	1				
10	J0B-F4681-00	..NUT, CAP	1				
11	J0B-F3418-00	..WASHER, SPECIAL	1				
12	90201-128S4	..WASHER, PLATE	1				
13	95602-12200	..NUT, SELF-LOCKING	1				
14	J0B-F5522-00	.HOLDER	1				
15	J0B-F389K-A0	.ARM PIVOT ASSY	1				
16	J0B-F389G-00	..ARM, PIVOT	1				
17	J0B-F3849-00	..SHAFT 1	1				
18	90201-208S8	..WASHER, PLATE	1				
19	J0B-F3392-00	..WASHER, SPECIAL	1				
20	95602-12200	..NUT, SELF-LOCKING	2				
21	J0B-F3880-A0	.TIE ROD ASSEMBLY 3	1				
22	J0B-F383A-00	..TIE ROD ASSEMBLY 3	1				
23	95302-10600	..NUT, HEXAGON	2				
24	J0B-F3841-A0	..JOINT, UNIVERSAL 1	2				
25	95602-10200	..NUT, S/L FLANGE	2				
26	91402-25020	..PIN, COTTER	2				
27	90105-088A9	..BOLT, FLANGE	1				

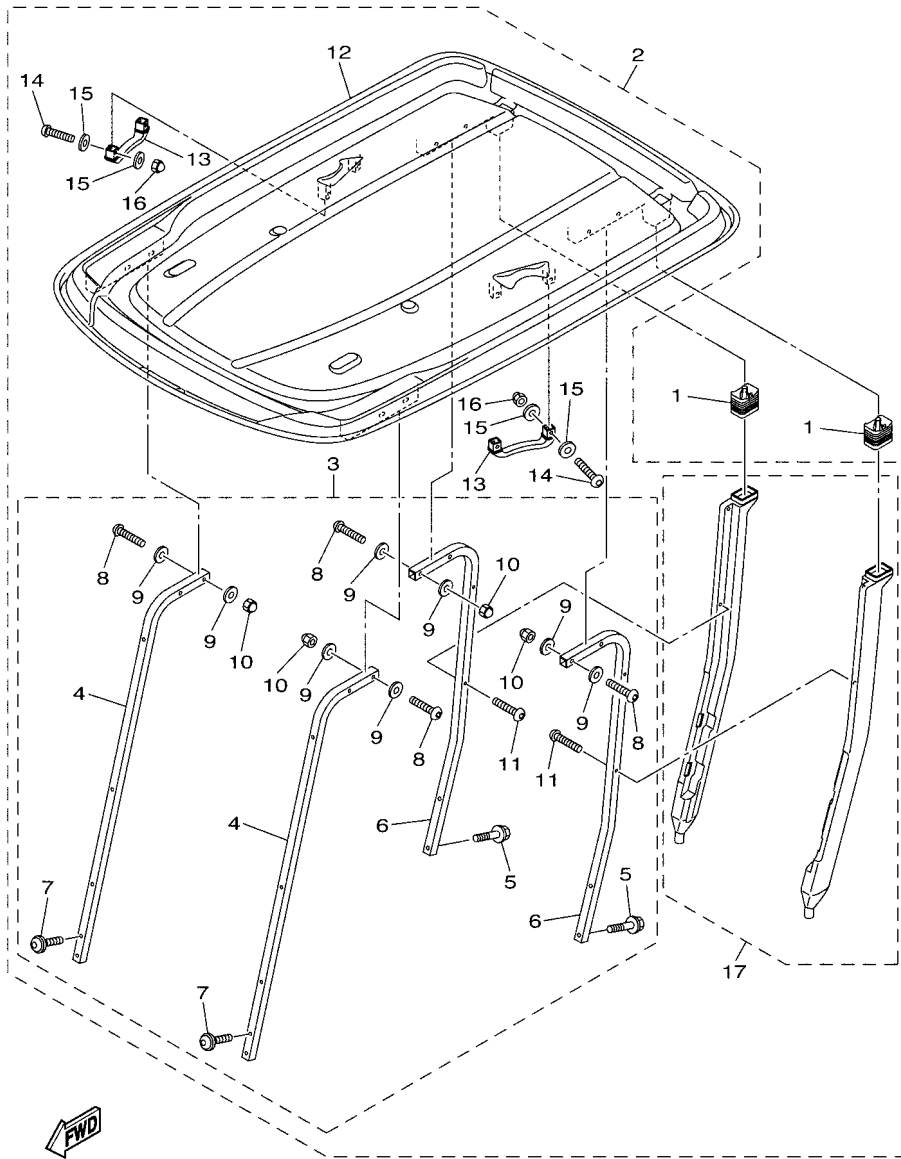


FIG. 21 ALTERNATE FOR WINDSHIELD



REF. NO.	PART NO.	DESCRIPTION	JOB	REMARKS
1	J0B-K7200-01	WINDSHIELD ASSY	1	UR CLEAR
	J0B-K7200-11	WINDSHIELD ASSY	1	UR SMOKE
2	J0B-K7237-00	.GROMMET	6	
3	J0B-K7238-00	.DAMPER	2	
4	J0B-K7240-01	.WIND SHIELD HARDWARE KIT 1	1	
5	J0B-K7217-00	..NUT, WIND SHIELD	6	
6	J0B-K7248-00	..SCREW 1	6	
7	J0B-K7218-00	..WASHER 1	6	
8	J0B-K838A-20	..RETAINER 1	1	
9	J0B-K7213-00	TRIM, UPPER	1	
10	J0B-K7200-23	WINDSHIELD ASSY	1	UR CLEAR
	J0B-K7200-33	WINDSHIELD ASSY	1	UR SMOKE
11	J0B-K7173-20	..LEVER, LATCH 1	2	
12	J0B-K7258-00	..SCREW, 2	4	
13	J0B-K7237-00	.GROMMET	2	
14	J0B-K7247-00	.GROMMET, W/S 2	2	
15	J0B-K7257-00	.GROMMET, W/S 3	2	
16	J0B-K7218-00	.WASHER 1	2	
17	J0B-K7217-00	..NUT, WIND SHIELD	4	
18	J0B-K7219-00	..WASHER 2	2	
19	J0B-K7145-20	..HINGE 1	1	
20	J0B-K7146-20	..HINGE 2	1	
21	J0B-K7529-20	..SPACER, BUMPER	2	
22	J0B-K7240-20	..WIND SHIELD HARDWARE KIT 1	1	
23	J0B-K7248-00	..SCREW 1	4	
24	J0B-K7217-00	..NUT, WIND SHIELD	4	
25	J0B-K7218-00	..WASHER 1	4	



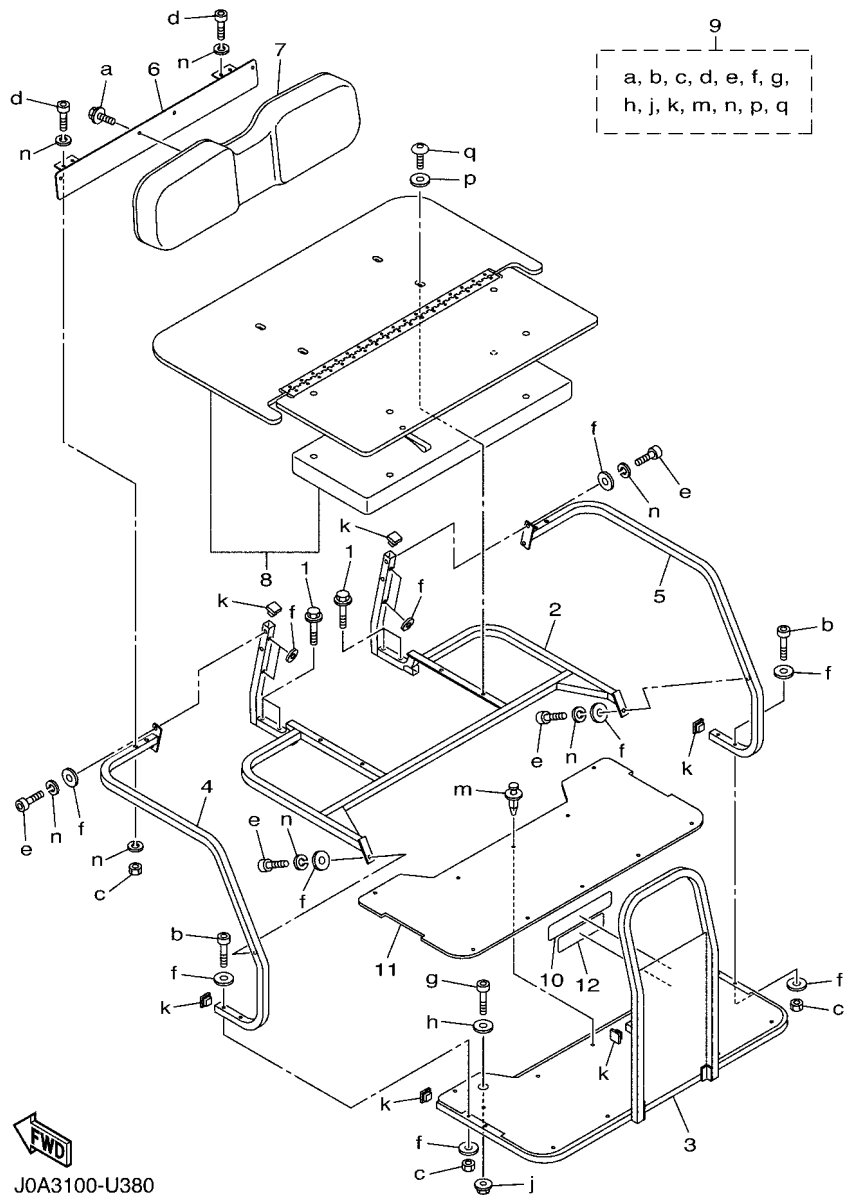


J0A2100-T370

FIG. 22 ALTERNATE FOR SUN ROOF

REF. NO.	PART NO.	DESCRIPTION	J0A3	REMARKS
1	JW1-F414G-10	SEAL	2	
2	J0B-K84A0-00	SUN TOP KIT	1	UR AP TAN
	J0B-K84A0-10	SUN TOP KIT	1	UR AP BLACK
3	J0B-K84A2-00	.HARDWARE KIT, SUN TOP	1	
4	J0B-K8312-00	..SUPPORT, SUN ROOF 1	2	
5	JW1-K8388-00	..BOLT, ROOF 1	4	
6	JW1-K8313-01	..SUPPORT, SUN ROOF 2	2	
7	J0B-K8388-00	..BOLT, ROOF 1	4	
8	JU0-K8388-00	..BOLT, ROOF 1	8	
9	JW1-F1549-01	..WASHER, FENDER MOLD	16	
10	JU0-K8398-00	..NUT, ROOF 1	8	
11	JW1-K7387-00	..SCREW	4	
12	JW1-K8314-10	..COVER, SUN ROOF	1	UR TAN
	JW1-K8314-21	..COVER, SUN ROOF	1	UR BLACK
13	JW1-K8214-00	..GRIP, HAND	2	
14	JU0-K8388-00	..BOLT, ROOF 1	4	
15	JW1-F1549-01	..WASHER, FENDER MOLD	8	
16	JU0-K8398-00	..NUT, ROOF 1	4	
17	J0B-F417A-00	..DRAIN TUBE ASSY	1	

FIG. 23 ALTERNATE FOR SEAT



J0A3100-U380

REF. NO.	PART NO.	DESCRIPTION	J0J3		REMARKS
1	90109-08178	BOLT	4		
2	J0B-K8460-00	SEAT FRAME COMP.	1		
3	J0B-K8477-00	FLOOR ASSEMBLY	1		
4	J0B-K8473-00	HANDRAIL ASSEMBLY (LH)	1		
5	J0B-K8474-00	HANDRAIL ASSEMBLY (RH)	1		
6	J0B-K8432-00	BRACKET, SEAT SUPPORT 2	1		
7	J0B-K8402-00	SEAT SUB ASSY, BACK	1		UR TAN
	J0B-K8402-10	SEAT SUB ASSY, BACK	1		UR BLACK
8	J0B-K8480-00	SEAT BOTTOM COMPLETE 1	1		UR TAN
	J0B-K8480-10	SEAT BOTTOM COMPLETE 1	1		UR BLACK
9	J0B-F47E2-00	HARDWARE KIT, TANDEM SEAT	1		
10	J0B-K8483-00	LABEL WARNING	1		
11	J0B-K8466-00	MAT, RUBBER	1		
12	J0B-F1696-00	LABEL, CAUTION	1		

NUMERICAL INDEX

PART NO.	REF. NO.	PART NO.	REF. NO.	PART NO.	REF. NO.	PART NO.	REF. NO.	PART NO.	REF. NO.	PART NO.	REF. NO.
401-22128-01	3 - 16	J0C-F3390-00	3 - 19	JW1-F467K-00	4 - 23	J0C-F7411-01	2 - 5	JW3-H182V-00	16 - 10	J0B-K7147-20	21 - 26
2NL-23448-00	3 - 9	J0B-F3392-00	20 - 19	J0B-F4681-00	20 - 3	J0G-F7416-00	6 - 9	JW3-H183J-00	16 - 2	J0B-K7148-20	21 - 27
2NL-23517-00	3 - 11	JW1-F3394-00	18 - 23		20 - 10	JW8-F7426-01	6 - 18	JW3-H1869-00	16 - 9	J0B-K7173-20	21 - 11
2HR-23526-00	3 - 3	JW1-F3400-00	4 - 10	J0B-F47E2-00	23 - 9	JW8-F7434-00	6 - 39	JW3-H1890-10	16 - 1	J0B-K7200-01	21 - 1
JW8-23841-01	4 - 27	J0B-F3418-00	20 - 11	JW1-F5100-01	9 - 1	JW8-F7435-00	6 - 56	JW9-H1892-00	18 - 2	J0B-K7200-11	21 - 1
J38-27204-00	7 - 15	J0B-F3432-00	20 - 28	JW8-F5103-00	3 - 21	JW8-F7438-00	6 - 38	JU6-H1950-00	18 - 16	J0B-K7200-23	21 - 10
J38-27205-00	7 - 4	J0B-F3447-00	12 - 2	JW8-F5118-00	8 - 38	JW9-F7445-31	6 - 33	JU2-H1962-00	19 - 5	J0B-K7200-33	21 - 10
J55-27260-00	7 - 9		12 - 5	JN6-F5118-01	3 - 29	J0G-F7814-00	6 - 23	JU2-H1962-10	19 - 5	J0B-K7213-00	21 - 9
J55-27270-00	7 - 20		12 - 13	JW8-F5415-00	6 - 26	JW8-F7814-21	6 - 3	JU2-H1962-20	19 - 5		21 - 31
J10-27282-00	7 - 6	5UG-F3489-00	4 - 20	J0B-F5522-00	20 - 14		6 - 43	JW2-H2107-13	19 - 3	J0B-K7217-00	21 - 5
	7 - 17	JU0-F3511-20	3 - 4	JW9-F5666-00	6 - 13	J0G-F7825-00	6 - 28	JW2-H2107-51	19 - 1		21 - 17
JF7-82817-22	18 - 24	JW1-F3512-00	3 - 5	J0G-F5671-00	6 - 4	J0H-F7850-03	6 - 1	JW2-H2107-A1	19 - 6		21 - 24
JC3-86510-10	17 - 1	JU0-F3521-20	3 - 12	JW9-F5673-00	6 - 45	JW9-F7853-00	6 - 35	JW9-H210G-00	18 - 36	J0B-K7218-00	21 - 7
J0B-F125J-00	2 - 19	5UG-F3527-00	4 - 21	JW8-F5681-10	5 - 5	J0G-F7854-00	6 - 5	JC1-H2115-00	18 - 5		21 - 16
1NS-F1338-00	18 - 39	J0B-F3570-10	3 - 1	JN6-F5685-01	5 - 6	J0G-F7871-01	6 - 36	JC1-H2116-00	18 - 6		21 - 25
JW1-F1549-01	22 - 9	J0G-F3811-00	4 - 1	JW9-F5827-00	6 - 53	JW9-F7872-20	6 - 37	JC1-H2127-00	18 - 7	J0B-K7219-00	21 - 18
	22 - 15	JW1-F3812-00	4 - 13	JW9-F5827-10	6 - 53	J0G-F815H-00	6 - 42	JW9-H2136-00	18 - 1	J0B-K7237-00	21 - 2
J0B-F1696-00	23 - 12	J0B-F381J-A0	20 - 6	JW8-F6314-00	6 - 22	JW8-F8323-00	6 - 25	JC1-H2149-00	18 - 8		21 - 13
J0B-F1738-00	2 - 6	JW1-F3822-01	4 - 29	JW9-F632G-00	6 - 54	JW8-F8331-00	6 - 47	J0C-H2151-00	18 - 13	J0B-K7238-00	21 - 3
	12 - 9	JU0-F3828-10	4 - 4	JW9-F6351-10	5 - 1	JW8-F8363-00	6 - 8	JR1-H2151-00	18 - 14	J0B-K7240-01	21 - 4
	12 - 14	1P0-F3833-00	4 - 26	JW8-F639N-00	6 - 10	JW8-G2535-00	8 - 34	J0E-H2151-10	18 - 15	J0B-K7240-20	21 - 22
	15 - 5	JW1-F3837-00	4 - 22	JW8-F7118-00	6 - 41	JW8-G2536-00	8 - 35	JU2-H218E-01	16 - 14	J0B-K7247-00	21 - 14
	15 - 7	J0B-F3838-00	4 - 6	JW8-F7119-00	6 - 29	JW8-G2541-00	8 - 39	J0E-H21E0-01	18 - 31		21 - 29
JW1-F1738-00	2 - 8	J0B-F383A-00	20 - 22	JW8-F7121-00	6 - 14	JW8-G2756-00	8 - 36	J0E-H21E1-00	18 - 32	J0B-K7248-00	21 - 6
	2 - 11	J0B-F3841-A0	20 - 24	J0G-F7200-02	6 - 2	JH7-G3396-01	8 - 9	J0D-H21E2-01	18 - 33		21 - 23
J0J-F1781-00	12 - 18	5UG-F3844-00	4 - 19	JW8-F7213-20	6 - 34	JW8-G4178-00	8 - 32	JR1-H235A-00	19 - 4	J0B-K7257-00	21 - 15
J0B-F178D-A0	20 - 5	J0B-F3849-00	20 - 17	JW8-F7217-00	6 - 32	JW8-G5244-00	8 - 33	J0B-H2370-00	11 - 14	J0B-K7258-00	21 - 12
J0C-F2110-00	1 - 1	JU0-F3857-11	4 - 3	J0G-F7218-00	6 - 11	JW8-G5378-00	8 - 22	JW3-H2379-00	16 - 5	JW7-K7329-00	12 - 8
JN6-F2123-20	1 - 2		4 - 5	JW9-F7221-00	6 - 15	JW9-G6136-00	8 - 8	JW1-H2510-00	18 - 41	J0B-K7363-00	4 - 36
JN6-F2124-10	1 - 6	JW1-F3866-00	4 - 24	J0B-F7224-00	20 - 7	J0C-G6300-01	7 - 1	JU2-H2510-20	18 - 45	J0B-K7387-00	4 - 34
J0B-F2127-00	2 - 14	JW1-F387A-00	4 - 11	JW9-F7228-00	6 - 24		8 - 1	JU2-H2511-00	18 - 43	JW1-K7387-00	22 - 11
J0B-F2141-00	20 - 8	JW1-F387E-00	4 - 14	J0B-F722B-A1	20 - 1	JW9-G6312-00	8 - 19	JU6-H2569-00	18 - 44	J0B-K7389-00	14 - 5
JW1-F217G-10	1 - 10	5UG-F387F-00	4 - 17	JW9-F7231-10	6 - 19	JW9-G631A-00	8 - 18	5UG-H2579-00	18 - 42	J0B-K7510-01	10 - 1
JW9-F2198-10	2 - 10	5UG-F387G-00	4 - 15	JW9-F7232-00	6 - 20	JW9-G6321-00	8 - 3	J0J-H2590-10	18 - 12	J0B-K7529-20	21 - 21
J0C-F2210-00	1 - 14	5UG-F387J-00	4 - 18	JW9-F7245-10	6 - 30	JW9-G6350-00	8 - 11	JW2-H2727-00	17 - 2	J0B-K7540-00	10 - 7
JW9-F2417-00	2 - 9	5UG-F387K-00	4 - 16	JW9-F7246-20	6 - 46	JW9-G6410-00	8 - 15	JU2-H2917-00	18 - 9	JU0-K7573-00	11 - 3
J0A-F2501-10	2 - 1	J0B-F3880-A0	20 - 21	JW9-F7263-00	6 - 49	JW9-G6421-00	8 - 13	JR1-H3383-02	18 - 20	J0C-K7741-00	11 - 10
JC1-F252M-10	2 - 4	JW1-F389A-00	4 - 25	JW8-F7280-10	7 - 13	JN3-G6432-00	8 - 20	JN6-H3386-01	18 - 21	J0B-K7761-A0	20 - 31
JW9-F2535-00	2 - 7	J0B-F389G-00	20 - 16	JW8-F7281-00	7 - 5	JR1-G6511-00	8 - 25	JC1-H351B-01	18 - 46	J0B-K7762-10	4 - 38
J0B-F255G-00	2 - 2	J0B-F389J-A0	20 - 2		7 - 16	JR1-G6512-00	8 - 26	JW3-H3756-00	16 - 3	J0B-K7762-20	4 - 38
J0B-F258E-10	2 - 12	J0B-F389K-A0	20 - 15	JW8-F7286-00	7 - 10	JW8-G6514-00	8 - 31	JW9-H5885-00	6 - 52	J0B-K7768-00	11 - 8
J0B-F2873-01	12 - 15	JW1-F414G-10	22 - 1		7 - 21	JW8-G6521-00	8 - 37	JW9-H6181-00	18 - 22	J0B-K7768-10	11 - 8
J0B-F2874-01	12 - 16	J0B-F4161-00	11 - 2	JW8-F7290-10	7 - 2	JW3-H1117-10	16 - 6	J0E-H6527-00	18 - 27	J0B-K7768-20	11 - 8
JW7-F312H-00	5 - 4	J0B-F417A-00	22 - 17	J0G-F7313-00	6 - 12	JW3-H1155-00	16 - 4	JW2-H7209-20	19 - 2	J0B-K8111-00	12 - 1
J0B-F3147-20	21 - 28	JW8-F41B8-00	6 - 51	JW8-F7316-01	6 - 31	JC1-H1441-00	18 - 10	JW2-H7209-A0	19 - 7	J0B-K8111-10	12 - 1
JW1-F3183-00	4 - 12	JW8-F4486-00	6 - 44	JW8-F7317-00	6 - 40	JW3-H165G-00	16 - 7	J0B-K7115-00	4 - 37	J0B-K8111-20	12 - 1
JW8-F3183-00	6 - 17		6 - 48	JW8-F7318-00	6 - 21	JW9-H1674-00	15 - 1	J0B-K7145-20	21 - 19	J0B-K8111-30	12 - 1
J0C-F3350-00	3 - 14	JW9-F4648-20	6 - 50	JW8-F7322-00	6 - 16	JW3-H182J-00	16 - 8	J0B-K7146-20	21 - 20	J0B-K8111-40	12 - 1

NUMERICAL INDEX

PART NO.	REF. NO.	PART NO.	REF. NO.	PART NO.	REF. NO.	PART NO.	REF. NO.	PART NO.	REF. NO.	PART NO.	REF. NO.
J0B-K8111-50	12 - 1	J0B-K8237-02	12 - 12	J0B-K8474-00	23 - 5	90185-12008	4 - 7	91490-25015	5 - 12	95812-12080	3 - 17
J0B-K8111-60	12 - 1	J0B-K8243-00	11 - 18	J0B-K8477-00	23 - 3	90201-04810	4 - 35	91490-30030	8 - 27	95822-06012	10 - 6
J0B-K8111-A0	12 - 1	J0B-K8244-00	11 - 20	J0B-K8480-00	23 - 8	90201-05824	6 - 55	91702-08018	5 - 11	97012-06020	6 - 7
J0B-K8111-B0	12 - 1	J0B-K8271-01	13 - 1	J0B-K8480-10	23 - 8	90201-068E2	16 - 13	91702-10026	5 - 2	97012-08030	4 - 30
J0B-K8112-00	12 - 4	J0B-K8273-10	11 - 17	J0B-K8483-00	23 - 10	90201-08310	18 - 3	92017-06040	14 - 4	97012-10020	1 - 11
J0B-K8112-10	12 - 4	J0C-K827A-00	12 - 17	J0B-K84A0-00	22 - 2	90201-121H8	7 - 12	92902-08600	4 - 31	9708R-06020	14 - 10
J0B-K8112-20	12 - 4	J0B-K8282-00	11 - 9	J0B-K84A0-10	22 - 2		7 - 23	92902-10100	1 - 12	97527-08516	17 - 3
J0B-K8112-30	12 - 4	JW9-K8297-01	12 - 19	J0B-K84A2-00	22 - 3	90201-121H9	7 - 11	92902-10600	1 - 13	97602-05225	18 - 25
J0B-K8112-40	12 - 4	JW9-K8297-11	12 - 19	JN9-W2536-11	7 - 3		7 - 22	92902-12200	4 - 8	99001-09600	5 - 10
J0B-K8112-50	12 - 4	JW2-K8298-10	2 - 21		7 - 14	90201-128S4	1 - 9	9299R-06200	14 - 14		
J0B-K8112-60	12 - 4	JW2-K8298-20	2 - 21	90101-069U0	16 - 11		20 - 12	93101-24822	8 - 28		
J0B-K8112-A0	12 - 4	J0B-K8312-00	22 - 4	90101-08855	8 - 23	90201-208S8	20 - 18	93102-30083	3 - 26		
J0B-K8112-B0	12 - 4	JW1-K8313-01	22 - 6	90101-08856	8 - 21	90208-14801	3 - 27	93210-148B9	8 - 12		
J0E-K8114-01	11 - 6	JW1-K8314-10	22 - 12	90101-10854	8 - 16	90215-06811	16 - 12	93210-478B8	8 - 5		
J0B-K8114-10	11 - 6	JW1-K8314-21	22 - 12	90105-06831	2 - 16	90249-14129	5 - 9	93306-00440	8 - 30		
J0B-K8115-00	11 - 1	J0B-K832F-00	11 - 22		11 - 4	90269-06804	11 - 5	93306-005Y1	8 - 6		
J0B-K8115-10	11 - 1	J1B-K832F-00	11 - 22		18 - 19		13 - 4	93306-005Y3	3 - 24		
J0B-K8115-20	11 - 1	J0B-K832G-00	11 - 23	90105-06833	17 - 4		13 - 7	93306-007Y0	8 - 14		
J0B-K8115-30	11 - 1	J1B-K832G-00	11 - 23	90105-08867	2 - 13		13 - 9	93306-203X1	8 - 7		
J0B-K8115-40	11 - 1	JW1-K8340-00	14 - 3		18 - 38		13 - 11	93306-204X0	3 - 23		
J0B-K8115-50	11 - 1	JW1-K834G-00	14 - 9	90105-088A9	20 - 27	90269-07805	11 - 19	93306-303Y6	8 - 10		
J0B-K8115-60	11 - 1	JN6-K8355-20	14 - 8	90105-088B6	2 - 17		11 - 21	93420-44805	8 - 29		
J0B-K8115-A0	11 - 1	JF2-K8356-00	14 - 7	90105-10219	3 - 8		12 - 3	93420-50804	8 - 4		
J0B-K8115-B0	11 - 1	J0B-K8357-00	4 - 32	90105-10267	3 - 13		12 - 6	95302-08700	10 - 5		
JW9-K811K-00	18 - 4	J0B-K8358-00	4 - 33		3 - 20		12 - 11	95302-10600	20 - 23		
J0B-K8141-00	12 - 10	J0B-K835E-00	11 - 11	90105-10373	3 - 6	90269-08001	11 - 7	95307-08700	5 - 8		
J0C-K8141-10	12 - 10	J0B-K8361-00	15 - 4	90105-10840	8 - 2	90269-09003	11 - 16	95602-08100	20 - 30		
J0C-K8141-20	12 - 10	J0B-K8362-00	15 - 6	90105-10847	4 - 28		13 - 3	95602-08200	20 - 29		
J0C-K8141-30	12 - 10	JN6-K8380-00	14 - 12	90105-13800	1 - 3		13 - 6	95602-10200	1 - 16		
J0C-K8141-40	12 - 10	J0B-K8388-00	22 - 7	90109-08178	14 - 2	90381-17800	3 - 10		3 - 7		
J0C-K8141-50	12 - 10	JU0-K8388-00	22 - 8		23 - 1	90381-18801	3 - 2		10 - 8		
J0C-K8141-60	12 - 10		22 - 14	90110-06125	15 - 9	90386-12800	6 - 27		20 - 25		
J0C-K8141-A0	12 - 10	JW1-K8388-00	22 - 5	90111-05805	11 - 12	90387-12016	3 - 15	95602-12200	1 - 8		
J0C-K8141-B0	12 - 10	J0B-K838A-20	21 - 8	90114-12806	3 - 22	90387-241M7	3 - 25		4 - 9		
J0B-K8164-00	10 - 2		21 - 30	90119-06808	15 - 11	90461-14108	18 - 37		20 - 13		
J1B-K816M-00	2 - 15	JU0-K8398-00	22 - 10	90119-06868	18 - 34	90464-14134	18 - 40		20 - 20		
J0B-K817H-00	12 - 20		22 - 16	90119-10044	1 - 5	90464-20005	18 - 28	95602-14100	3 - 28		
J0B-K817H-10	12 - 20	J0A-K8401-00	15 - 3	90159-06845	14 - 13	90464-25826	18 - 11	95607-06200	6 - 6		
J0B-K817J-00	12 - 21	J0B-K8402-00	23 - 7	90170-08841	8 - 24	90464-40825	18 - 26	95612-12100	3 - 18		
J0B-K817J-10	12 - 21	J0B-K8402-10	23 - 7	90170-10840	8 - 17	90464-48800	18 - 29	95802-10035	20 - 9		
J0B-K818A-00	13 - 2	JW1-K8402-10	15 - 10	90176-06008	14 - 6	90464-76800	2 - 20	95802-10050	20 - 4		
J0B-K818B-00	13 - 5	J0B-K8423-00	14 - 1	90179-05807	18 - 17		18 - 30	95812-08016	10 - 3		
J0B-K8191-00	13 - 8	J0B-K8426-01	15 - 8	90179-08822	5 - 7	90468-20196	5 - 3	95812-08020	4 - 2		
J0B-K8192-00	13 - 10	JW1-K8427-00	15 - 2	90179-08824	18 - 18	90506-14001	7 - 8		6 - 57		
J0B-K819H-00	12 - 7	J0B-K8432-00	23 - 6	90179-12262	9 - 2		7 - 19	95812-08040	2 - 3		
JW1-K8214-00	22 - 13	J0B-K8460-00	23 - 2	90179-13800	1 - 4	90506-20281	7 - 7	95812-08050	10 - 4		
J0B-K821A-00	2 - 18	J0B-K8466-00	23 - 11	90183-05008	11 - 13		7 - 18	95812-10055	1 - 15		
J0B-K8233-00	11 - 15	J0B-K8473-00	23 - 4	90185-06836	14 - 11	91402-25020	20 - 26	95812-12065	1 - 7		