



PARTS CATALOGUE

DR2E17 (J0C1) CANADA, EUROPE, OTHERS



NEWS No.	DATE	COMMENT
PE0-GC-170009	Dec.,28,2017	COR:FIG.15/21/23/35/36/37 LIST&ILLUSTRATION CORRECTION

1SJ0C-100E1

()

DR2E17
PARTS CATALOGUE
©2016 by Yamaha Motor Co., Ltd.
1st edition, August 2016
All rights reserved.
Any reprinting or unauthorized use
without the written permission of
Yamaha Motor Co., Ltd.
is expressly prohibited.
Printed in Japan.

FOREWORD

This Parts Catalogue is related to the parts for the model(s) on the cover page. When you are ordering replacement parts, please refer to this Parts Catalogue and quote both part numbers and part names correctly.

1. Modifications or additions which have been made after the issue of the Parts Catalogue will be announced in the Parts News.
It is advisable that you make the necessary corrections to the Parts Catalogue according to the Parts News.

2. Abbreviations

The following abbreviations are used in this Parts Catalogue.

“UR” Use specified parts number.

“UN” Use as many as needed.

“AP” Alternate Parts

“LM” Locally Made (Parts need to be ordered locally)

“F#” Frame No. (Applicable machine No.)

“O/S” Over Size

3. The number of components for assembly

- Parts, which are to be supplied in an assembly, are listed with a dot (.) in front of the part name as shown below.
- The numeral appearing to the right of each component part indicates the quantity of parts for each assembly unit.

PART NO.	DESCRIPTION	Q'TY	REMARKS
2F5-83310-60	FRONT FLASHER LIGHT ASSY	2	
115-83311-60	.BULB (6V-18W)	1	

4. Applicable colours of graphics are represented in the “REMARKS” as shown below.

PART NO.	DESCRIPTION	Q'TY	REMARKS
2N4-24110-00-X5	FUEL TANK COMP.	2	MXR
3J1-24240-10	.GRAPHIC, FUEL TANK	1	FOR MXR

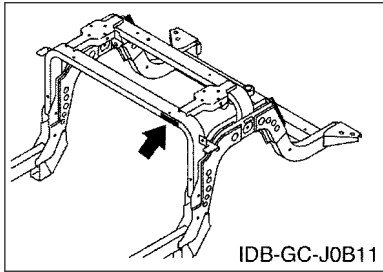
5. Note that the illustrations for reference in finding parts numbers are not to be used for assembling. When assembling, please use the applicable service manual.

6. The asterisk (*) before a reference number indicates modified items after the first edition.

FOREWORD

7. Applicable Serial No.

Frame Serial No.



8. Applicable Colour Code (The (*) mark shows Model colour.)

Abbreviation	Colour Name	Colour Code
BW1(*)	BLUISH WHITE 1	1571
DNBME(*)	DARK GRAYISH BLUE METALLIC E	0866
DNMC(*)	DARK GRAY METALLIC C	0922
DYNM2(*)	DARK YELLOWISH GRAY METALLIC 2	1509
HTR(*)	HEAT RED	00EY
LNMP(*)	LIGHT GRAY METALLIC P	0925
LN YM8(*)	LIGHT GRAYISH YELLOW ME 8	1047
NYS4(*)	GRAYISH YELLOW SOLID 4	1459
VDGS1(*)	VERY DARK GREEN SOLID 1	0614

9. Quantity Column Information

Column No.	Name Of Q'ty Column	Destination
1	J0C1	CANADA, EUROPE, OTHERS

10. Applicable Starting Serial No.

Frame Serial No.

Serial No.	Name Of Q'ty Column	Model Code
J0C-000101	J0C1	J0C1

CONTENTS

BODY

REAR ARM & SUSPENSION.....	1
FRAME.....	2
FRONT SUSPENSION.....	3
STEERING.....	5
PEDAL WIRE.....	7
PEDAL ASSEMBLY.....	8
BRAKE.....	11

DRIVE

TRANSAXLE.....	12
WHEEL.....	14
BUMPER.....	15
BODY.....	16
BODY 2.....	18
BODY FITTING.....	20
CARRIER.....	21
SEAT.....	22

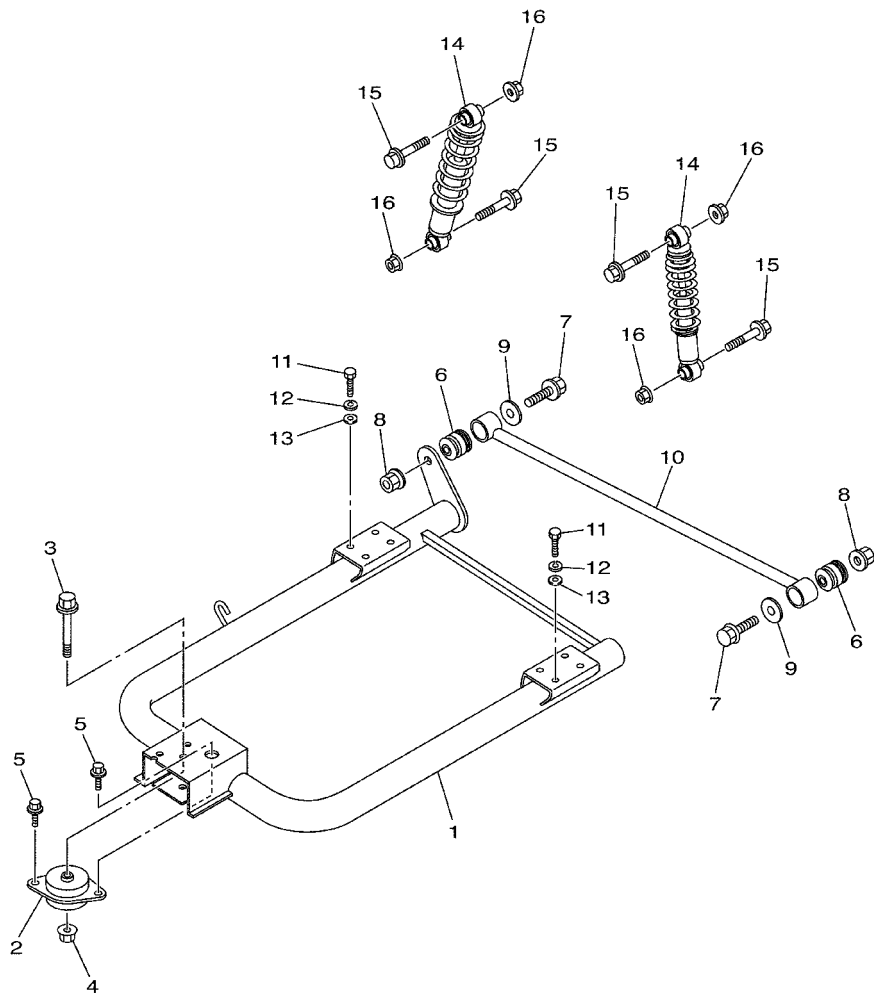
ELECTRICAL

ELECTRIC MOTOR.....	23
CONTROLLER 1.....	25
ELECTRICAL 1.....	26
BATTERY CHARGER.....	28
ALTERNATE FOR WINDSHIELD.....	29
ALTERNATE FOR SUN ROOF.....	30

INDEX

NUMERICAL INDEX.....	31
----------------------	----

FIG. 1 REAR ARM & SUSPENSION



J0C1110-S010

REF. NO.	PART NO.	DESCRIPTION	J0C1				REMARKS
1	J0C-F2110-00	REAR ARM COMP.	1				
2	JN6-F2123-10	BUSH 1	1				
3	90105-13800	BOLT, FLANGE	1				
4	90179-13800	NUT	1				
5	90119-10044	BOLT, WITH WASHER	2				
6	JN6-F2124-10	BUSH 2	2				
7	95812-12065	BOLT, FLANGE	2				
8	95602-12200	NUT, SELF-LOCKING	2				
9	90201-128S4	WASHER, PLATE	2				
10	JW1-F217G-10	ROD, CONNECTING 2	1				
11	97012-10020	BOLT	8				
12	92902-10100	WASHER, SPRING	8				
13	92902-10600	WASHER, PLATE	8				
14	J0C-F2210-00	SHOCK ABSORBER ASSY, REAR	2				
15	95812-10055	BOLT, FLANGE	4				
16	95602-10200	NUT, S/L FLANGE	4				

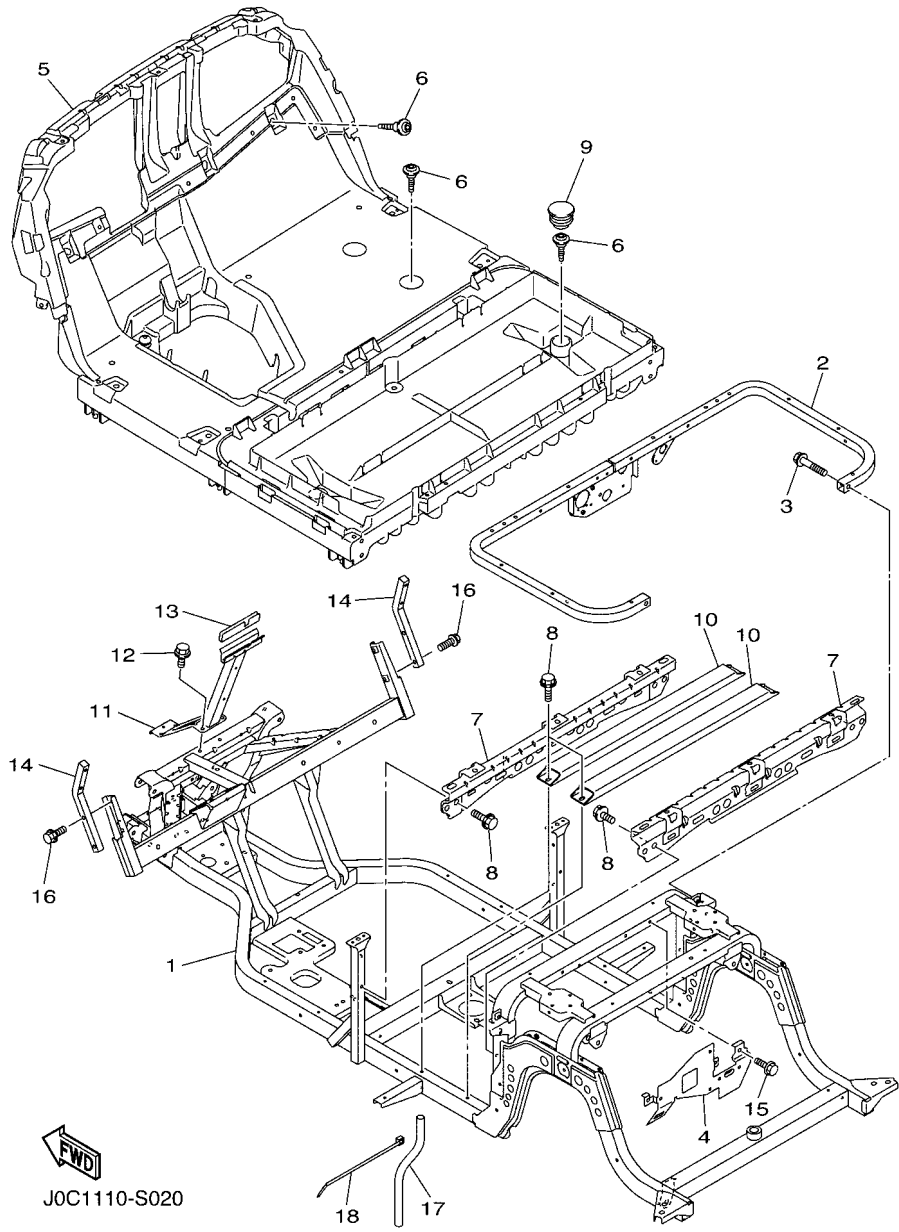
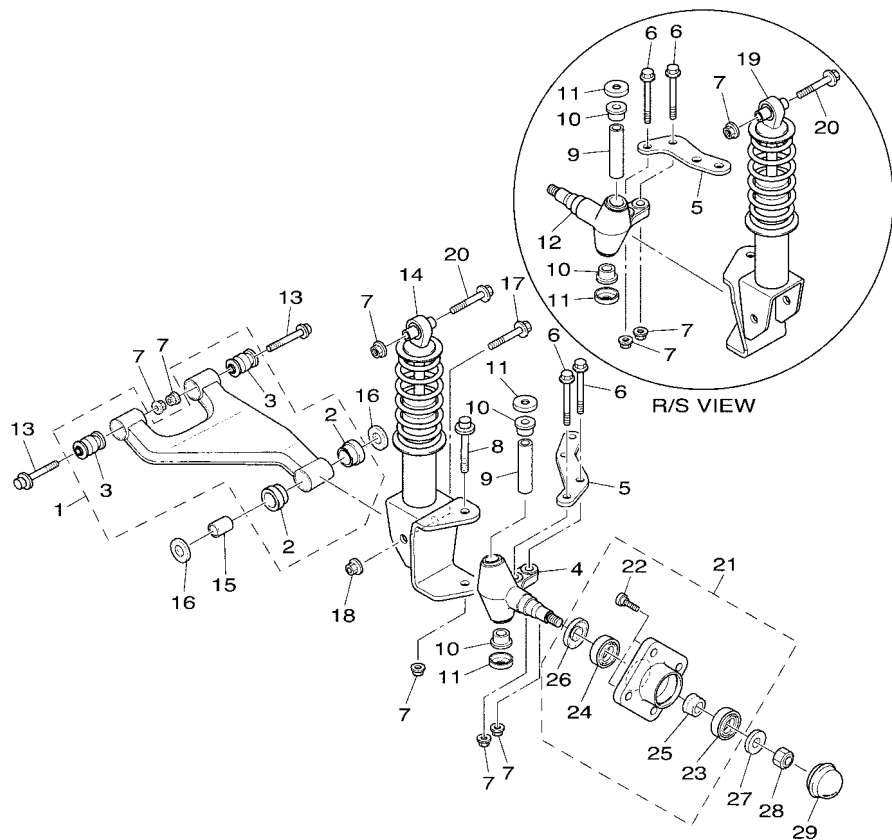


FIG. 2 FRAME

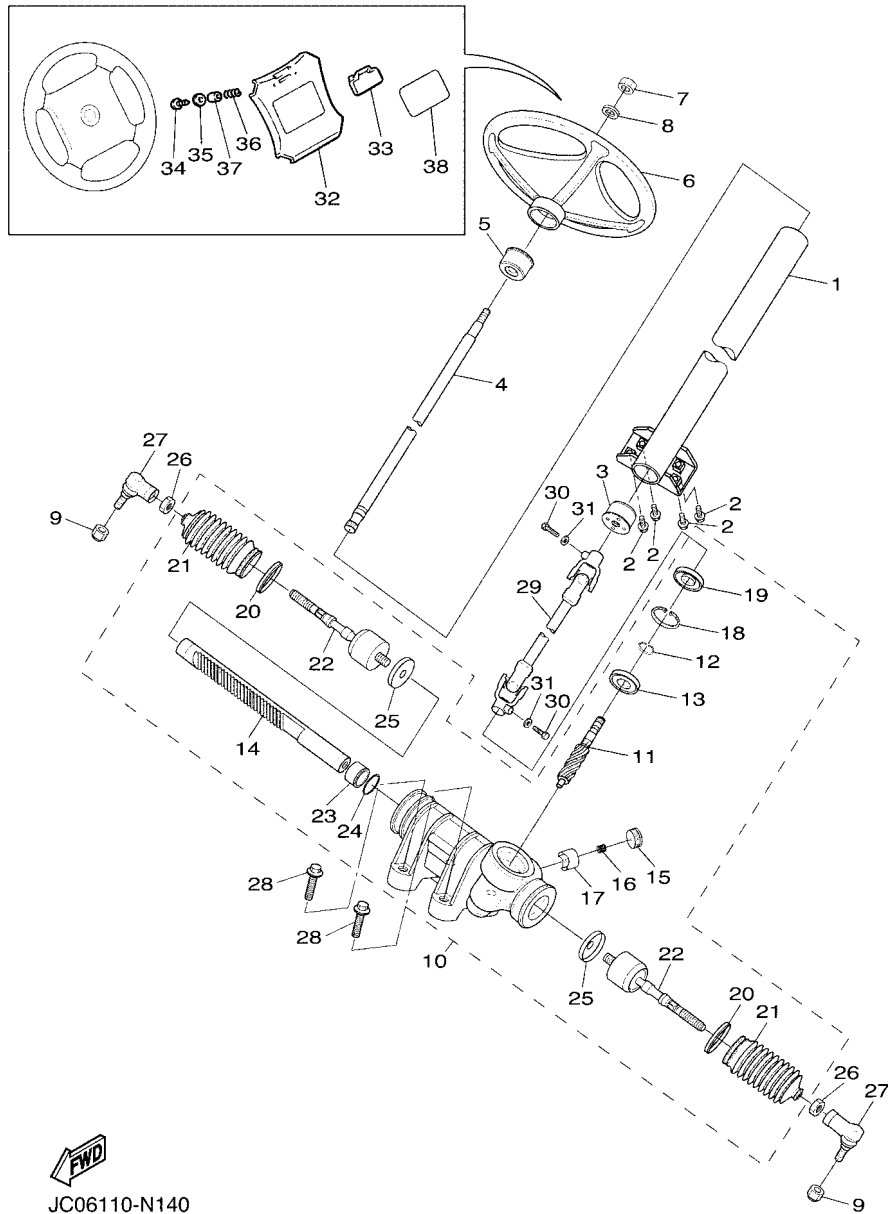
REF. NO.	PART NO.	DESCRIPTION	JOC1			REMARKS
1	J0A-F2501-00	FRAME COMP.	1			
2	J0B-F255G-00	MEMBER, SEAT SUPPORT	1			
3	95812-08040	BOLT, FLANGE	2			
4	JW9-F252M-00	BRACKET, 3	1			
5	J0C-F7411-01	FOOTREST 1	1			
6	J0B-F1738-00	BOLT	9			
7	JW9-F2535-00	STAY, BATTERY 1	2			
8	JW1-F1738-00	BOLT	8			
9	JW9-F2417-00	PLUG	2			
10	JW9-F2198-10	MEMBER, CROSS	2			
11	J0B-F258E-00	SUPPORT, FRONT COWL	1			
12	90105-08867	BOLT, FLANGE	2			
13	J0B-F2127-00	SHIM	1			
14	J0B-K816M-00	REAR STORAGE BOX COMP.	2			
15	90105-06831	BOLT, FLANGE	3			
16	90105-088B6	BOLT, FLANGE	4			
17	J0B-F125J-00	PIPE, DRAIN	2			
18	90464-76800	CLAMP	2			

FIG. 3 FRONT SUSPENSION



J0C1110-S030

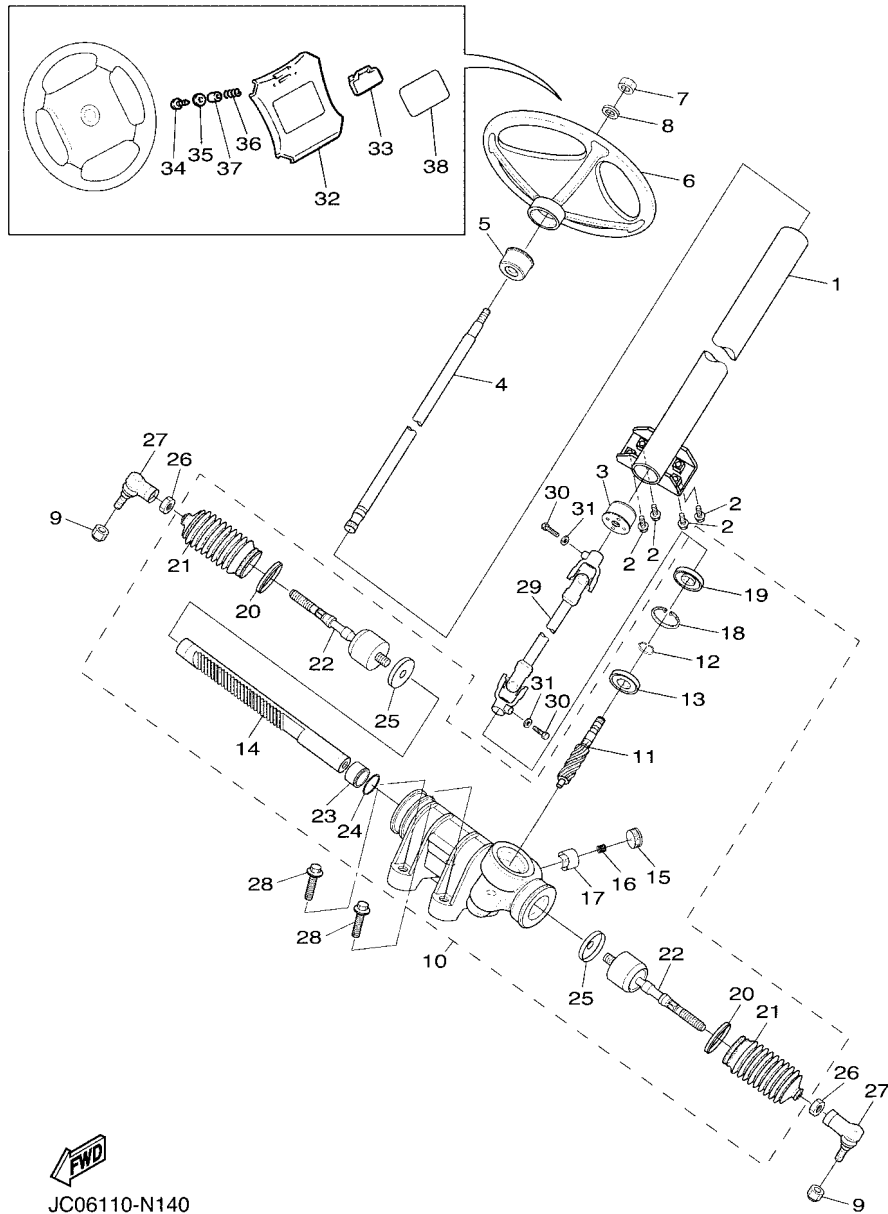
REF. NO.	PART NO.	DESCRIPTION	J0C1				REMARKS
1	J0B-F3570-10	FRONT LOWER ARM COMP. (LEFT)	2				
2	90381-18801	.BUSH, SOLID	2				
3	2HR-23526-00	.BUSH	2				
4	JU0-F3511-20	KNUCKLE, STEERING 1	1				
5	JW1-F3512-00	ARM, KNUCKLE 1	2				
6	90105-10373	BOLT, FLANGE	4				
7	95602-10200	NUT, S/L FLANGE	12				
8	90105-10219	BOLT, FLANGE	2				
9	2NL-23448-00	SPACER	2				
10	90381-17800	BUSH, SOLID	4				
11	2NL-23517-00	COVER, THRUST 1	4				
12	JU0-F3521-20	KNUCKLE, STEERING 2	1				
13	90105-10267	BOLT, FLANGE	4				
14	J0C-F3350-00	SHOCK ABSORBER ASSY	1				
15	90387-12016	COLLAR	2				
16	401-22128-01	COVER, THRUST 1	4				
17	95812-12080	BOLT, FLANGE	2				
18	95612-12100	NUT, U	2				
19	J0C-F3390-00	SHOCK ABSORBER ASSY 2	1				
20	90105-10267	BOLT, FLANGE	2				
21	JW8-F5103-00	HUB BEARING UNIT ASSY	2				
22	90114-12806	.BOLT, SERRATION	4				
23	93306-204X0	.BEARING	1				
24	93306-005Y3	.BEARING	1				
25	90387-241M7	.COLLAR	1				
26	93102-30083	.OIL SEAL	1				
27	90208-14801	WASHER, CONICAL SPRING	2				



JC06110-N140

FIG. 4 STEERING

REF. NO.	PART NO.	DESCRIPTION	JUCL				REMARKS
1	JW1-F3811-03	COLUMN, STEERING	1				
2	95812-08020	BOLT, FLANGE	4				
3	JU0-F3857-11	HOLDER	1				
4	JU0-F3828-10	ROD, STEERING	1				
5	JU0-F3857-11	HOLDER	1				
6	JN3-F3838-00	WHEEL, STEERING	1				
7	90185-12008	NUT, SELF-LOCKING	1				
8	92902-12200	WASHER	1				
9	95602-12200	NUT, SELF-LOCKING	2				
10	JW1-F3400-00	STEERING ASSY	1				
11	JW1-F387A-00	.GEAR, PINION	1				
12	JW1-F3183-00	.CIRCLIP	1				
13	JW1-F3812-00	.BEARING, STEERING	1				
14	JW1-F387E-00	.GEAR, RACK	1				
15	5UG-F387G-00	.COVER, ADJUST	1				
16	5UG-F387K-00	.SPRING, PRESSURE	1				
17	5UG-F387F-00	.PAD, PRESSURE	1				
18	5UG-F387J-00	.RING, STOPPER	1				
19	5UG-F3844-00	.SEAL	1				
20	5UG-F3489-00	.BAND	2				
21	5UG-F3527-00	.SEAL, DUST 1	2				
22	JW1-F3837-00	.ROD, TIE 2	2				
23	JW1-F467K-00	.BUSH, CAP	1				
24	JW1-F3866-00	.CIRCLIP	1				
25	JW1-F3894-00	.WASHER, LOCK 1	2				
26	1P0-F3833-00	NUT 1	2				
27	JW8-23841-01	JOINT, UNIVERSAL 1	2				

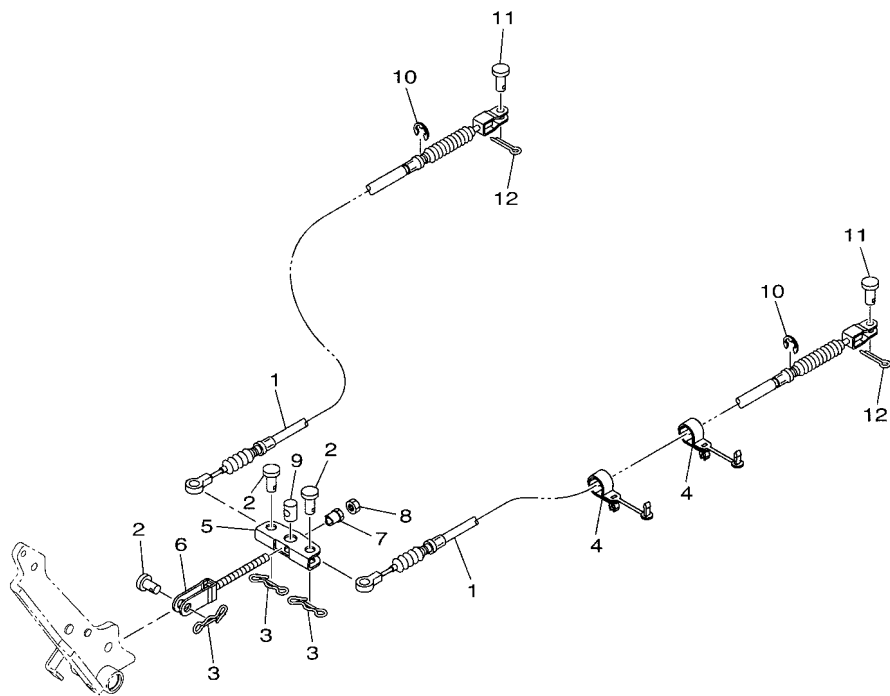


JC06110-N140

FIG. 4 STEERING

REF. NO.	PART NO.	DESCRIPTION	JOC1				REMARKS
28	90105-10847	BOLT, FLANGE	4				
29	JW1-F3822-01	JOINT 1	1				
30	97012-08030	BOLT	2				
31	92902-08600	WASHER, PLATE	2				
32	JW8-K8357-00	HOLDER 1	1				
33	JN6-K8358-01	HOLDER 2	1				
34	97702-40525	SCREW, TAPPING	2				
35	90201-04810	WASHER, PLATE	2				
36	90502-10013	SPRING, CONICAL	2				
37	90387-046N7	COLLAR	2				
38	JW8-K7762-00	LABEL, WARNING 2	1				UR FOR CAN
	JW8-K7762-11	LABEL, WARNING 2 (E, F)	1				UR EXCEPT FOR CAN
	JW8-K7762-21	LABEL, WARNING 2 (G, S)	1				UR EXCEPT FOR CAN

FIG. 5 PEDAL WIRE



REF. NO.	PART NO.	DESCRIPTION	QTY	REMARKS
1	JW9-F6351-10	CABLE, BRAKE	2	
2	91702-10026	PIN, CLEVIS	3	
3	90468-20196	CLIP	3	
4	JW7-F312H-00	CLAMP	4	
5	JW8-F5681-10	EQUALIZER, BRAKE	1	
6	JN6-F5685-01	ROD	1	
7	90179-08822	NUT	1	
8	95307-08700	NUT	1	
9	90249-14129	PIN	1	
10	99001-09600	CIRCLIP	2	
11	91702-08018	PIN, CLEVIS	2	
12	91490-25015	PIN, COTTER	2	



JW97110-R050

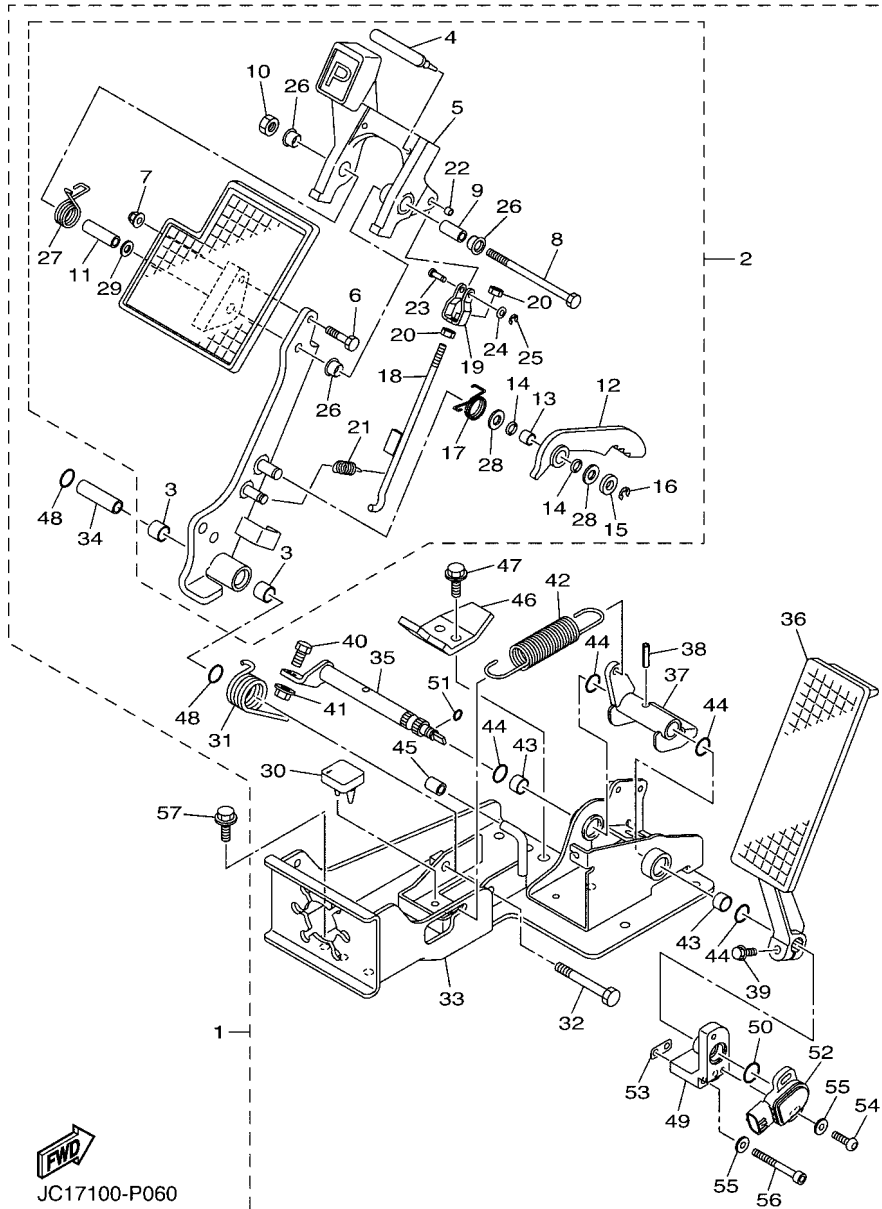
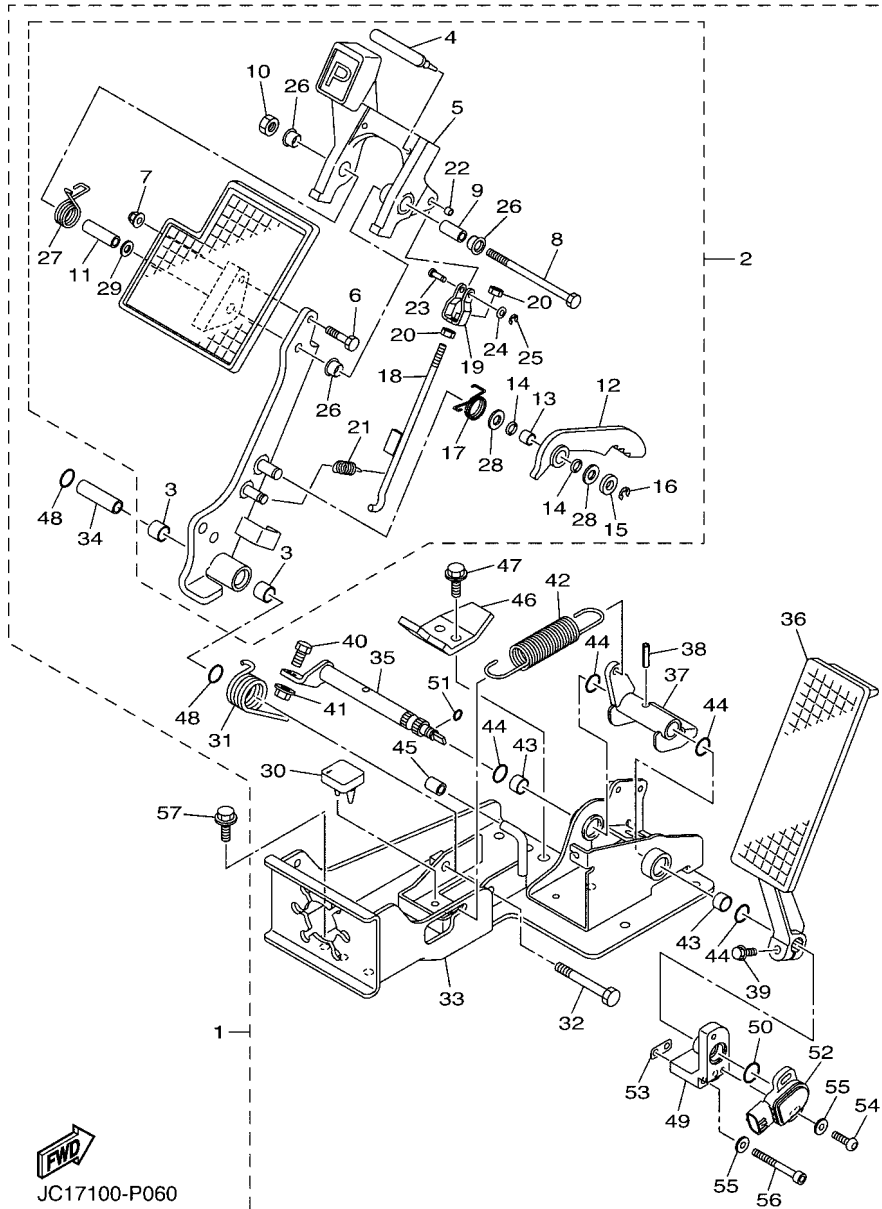


FIG. 6 PEDAL ASSEMBLY

REF. NO.	PART NO.	DESCRIPTION	JQC1	REMARKS
1	JW9-F7850-31	PEDAL ASSY (L.H)	1	
2	JW9-F7200-21	.PEDAL, BRAKE	1	
3	JW8-F7814-21	.BUSH, PEDAL	2	
4	JW9-F5672-00	..PAD, PARKING PEDAL	1	
5	JW9-F5671-00	..PEDAL, PARKING BRAKE	1	
6	JW8-F7117-00	..BOLT, MAIN STAND	1	
7	JW8-F8363-00	..NUT	1	
8	JW8-F7416-00	..BOLT, FOOTREST	1	
9	JW8-F639N-00	..COLLAR	1	
10	JW8-F7218-00	..NUT	1	
11	JW8-F7113-00	..COLLAR, MAIN STAND	1	
12	JW9-F5666-00	..SECTOR, PARKING BRAKE	1	
13	JW8-F7121-00	..BUSH	1	
14	JW9-F7221-00	..SEAL, SHAFT	2	
15	JW8-F7322-00	..WASHER	1	
16	JW8-F3183-00	..CIRCLIP	1	
17	JW8-F7426-01	..SPRING, RETURN	1	
18	JW9-F7231-10	..ROD, BRAKE	1	
19	JW9-F7232-00	..END, ROD 2	1	
20	JW8-F7318-00	..NUT	2	
21	JW8-F6314-00	..SPRING	1	
22	JW8-F639L-00	..BUSH 1	1	
23	JW9-F7228-00	..PIN, JOINT	1	
24	JW8-F8323-00	..WASHER, LEG SHIELD	1	
25	JW8-F5415-00	..CIRCLIP	1	
26	90386-12800	..BUSH	3	
27	JW8-F7825-01	..SPRING, RETURN	1	



JC17100-P060

FIG. 6 PEDAL ASSEMBLY

REF. NO.	PART NO.	DESCRIPTION	JUC1				REMARKS
28	JW8-F7119-00	..WASHER	2				
29	JW8-F8319-00	..WASHER	1				
30	JW9-F7245-10	.PAD, BRAKE PEDAL	1				
31	JW8-F7316-01	.SPRING, SIDE STAND	1				
32	JW8-F7217-00	.BOLT	1				
33	JW9-F7445-31	.PLATE 1	1				
34	JW8-F7213-20	.COLLAR	1				
35	JW9-F7853-00	.SHAFT, PEDAL 1	1				
36	JW9-F7871-10	.PEDAL, ACCELERATOR	1				
37	JW9-F7872-20	.ARM, ACCELERATOR PEDAL	1				
38	JW8-F7438-00	.PIN, CLEVIS	1				
39	JW8-F7434-00	.BOLT	1				
40	JW8-F7317-00	.BOLT	1				
41	JW8-F7118-00	.NUT	1				
42	JW8-F815H-01	.SPRING	1				
43	JW8-F7814-21	.BUSH, PEDAL	2				
44	JW8-F4486-00	.O-RING	4				
45	JW9-F5673-00	.DAMPER, BRAKE	1				
46	JW9-F7246-20	.NAIL, BRAKE	1				
47	JW8-F8331-00	.BOLT, LEG SHIELD	2				
48	JW8-F4486-00	.O-RING	2				
49	JW9-F7263-00	.BRACKET 1	1				
50	JW9-F4648-20	.O-RING	1				
51	JW8-F41B8-00	.O-RING	1				
52	JW9-H5885-00	.THROTTLE SENSOR ASSY	1				
53	JW9-F5827-00	.SHIM, CALIPER	1				UR
	JW9-F5827-10	.SHIM, CALIPER	1				UR

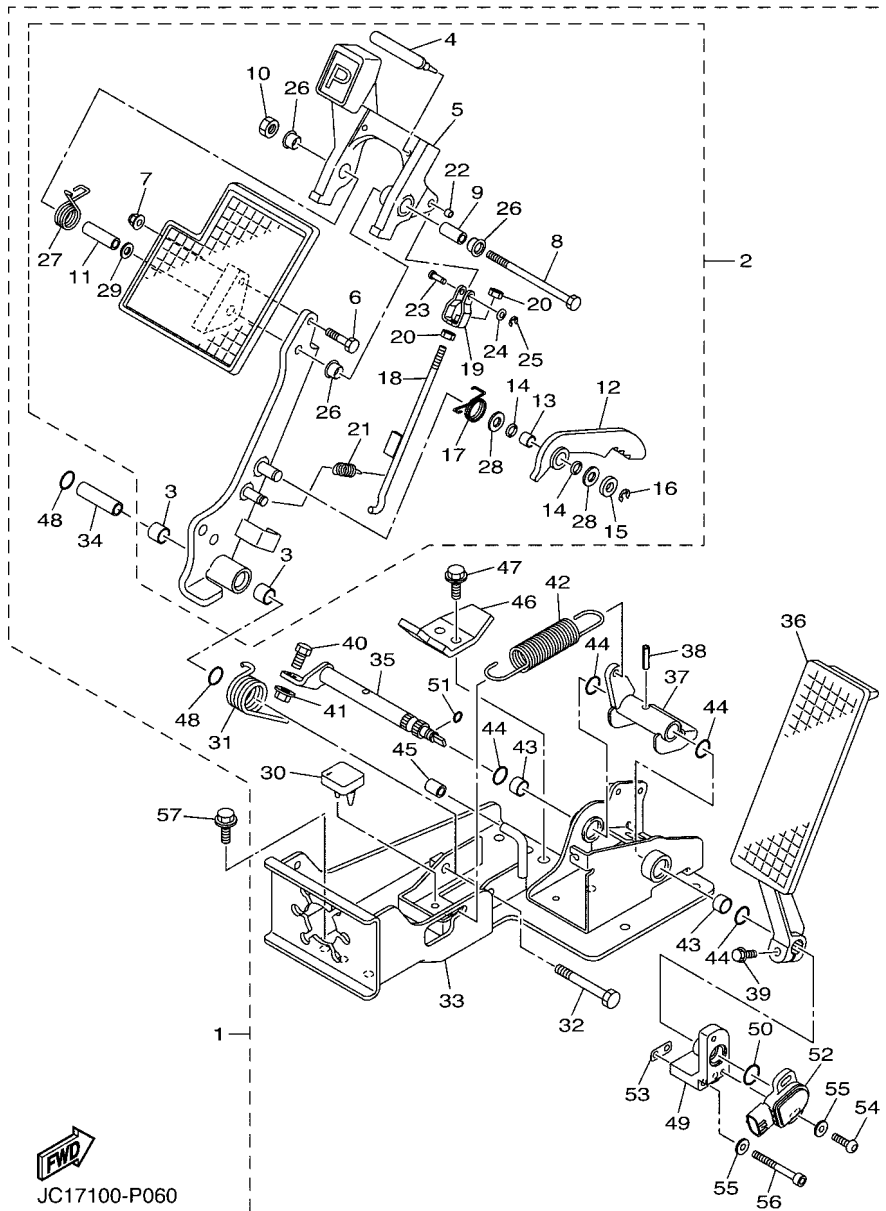


FIG. 6 PEDAL ASSEMBLY

REF. NO.	PART NO.	DESCRIPTION	JOC1				REMARKS
54	JW9-F632G-00	.SCREW	2				
55	90201-05824	.WASHER, PLATE	4				
56	JW8-F7435-00	.BOLT	2				
57	95812-08020	BOLT, FLANGE	6				

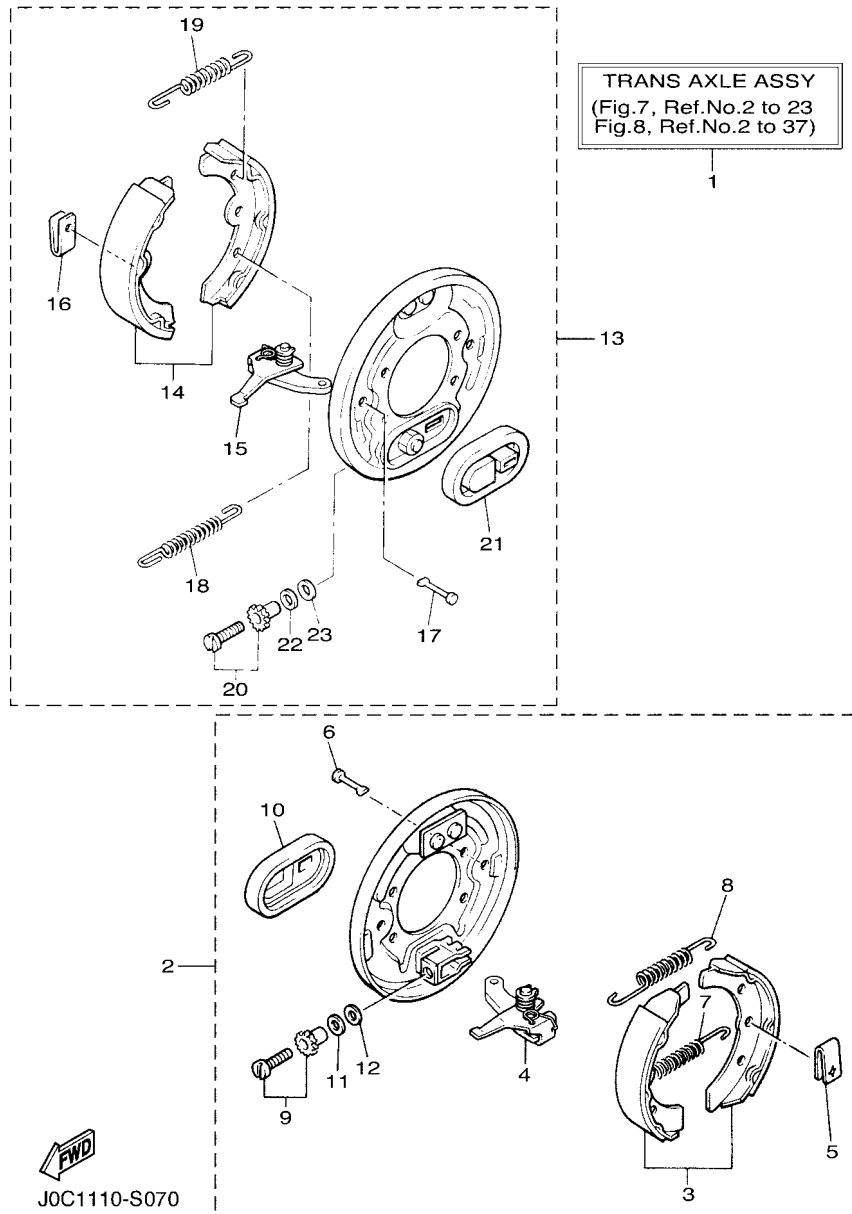
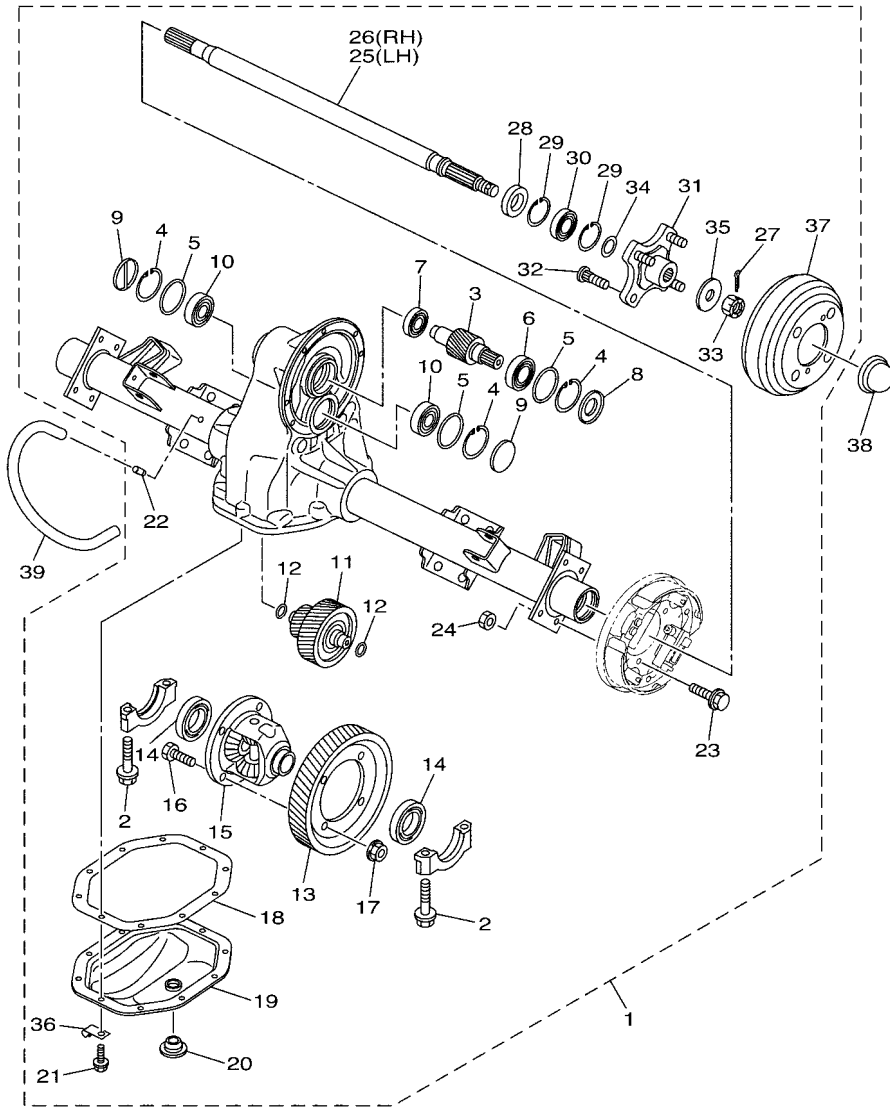


FIG. 7 BRAKE

REF. NO.	PART NO.	DESCRIPTION	J0C1				REMARKS
1	J0C-G6300-00	TRANS AXLE ASSY	1				
2	JW8-F7290-00	..BACKING PLATE ASSY 2	1				
3	JN9-W2536-00	..BRAKE SHOE SET	1				
4	J38-27205-00	..LEVER ASSY 2	1				
5	JW8-F7281-00	..SPRING, SHOE CLAMP	2				
6	J10-27282-00	..PIN, SHOE HOLD DOWN	2				
7	90506-20281	..SPRING, TENSION	1				
8	90506-14001	..SPRING, TENSION	1				
9	J55-27260-00	..ADJUSTER ASSY	1				
10	JW8-F7286-00	..COVER, DUST	1				
11	90201-121H9	..WASHER, PLATE	1				
12	90201-121H8	..WASHER, PLATE	1				
13	JW8-F7280-00	..BACKING PLATE ASSY 1	1				
14	JN9-W2536-00	..BRAKE SHOE SET	1				
15	J38-27204-00	..LEVER ASSY 1	1				
16	JW8-F7281-00	..SPRING, SHOE CLAMP	2				
17	J10-27282-00	..PIN, SHOE HOLD DOWN	2				
18	90506-20281	..SPRING, TENSION	1				
19	90506-14001	..SPRING, TENSION	1				
20	J55-27270-00	..ADJUSTER ASSY	1				
21	JW8-F7286-00	..COVER, DUST	1				
22	90201-121H9	..WASHER, PLATE	1				
23	90201-121H8	..WASHER, PLATE	1				

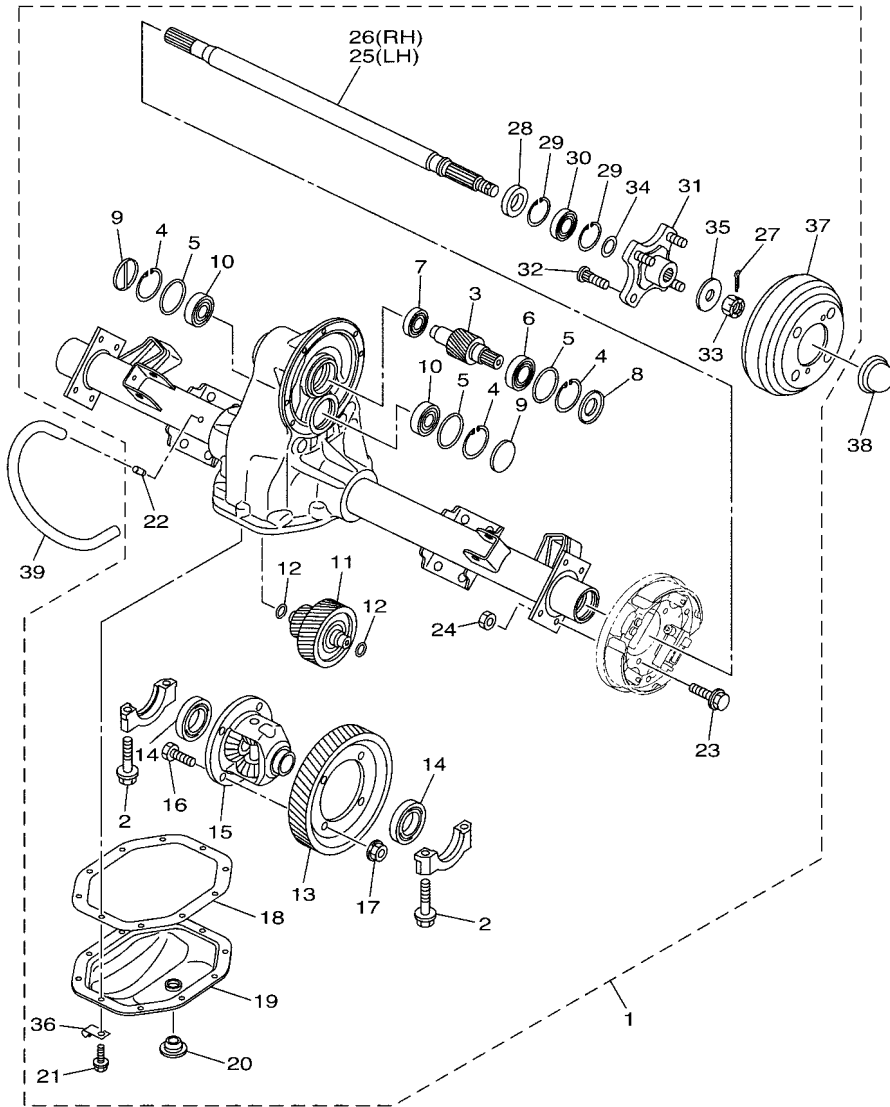


J0C1110-S080

FIG. 8 TRANSAXLE

REF. NO.	PART NO.	DESCRIPTION	J0C1				REMARKS
1	J0C-G6300-00	TRANS AXLE ASSY	1				
2	90105-10840	.BOLT, FLANGE	4				
3	JW9-G6321-00	.SHAFT, INPUT	1				
4	93420-50804	.CIRCLIP	3				
5	93210-478B8	.O-RING	3				
6	93306-005Y1	.BEARING	1				
7	93306-203X1	.BEARING	1				
8	JW9-G6136-00	.SEAL 1	1				
9	JH7-G3396-01	.PLUG, BLIND	2				
10	93306-303Y6	.BEARING	2				
11	JW9-G6350-00	.COUNTER GEAR ASSY	1				
12	93210-148B9	.O-RING	2				
13	JW9-G6421-00	.GEAR, RING	1				
14	93306-007Y0	.BEARING	2				
15	JW9-G6410-00	.DIFFERENTIAL ASSY.	1				
16	90101-10854	.BOLT	4				
17	90170-10840	.NUT	4				
18	JW9-G631A-00	.GSKT., CASE	1				
19	JW9-G6312-00	.CASE, TRANSMISSION 2	1				
20	JN3-G6432-00	.STOPPER	1				
21	90101-08856	.BOLT	10				
22	JW8-G5378-00	.NIPPLE, HOSE	1				
23	90101-08855	.BOLT	8				
24	90170-08841	.NUT	8				
25	JR1-G6511-00	.SHAFT, REAR AXLE 1 (L.H)	1				
26	JR1-G6512-00	.SHAFT, REAR AXLE 2 (R.H)	1				
27	91490-30030	.PIN. COTTER	2				

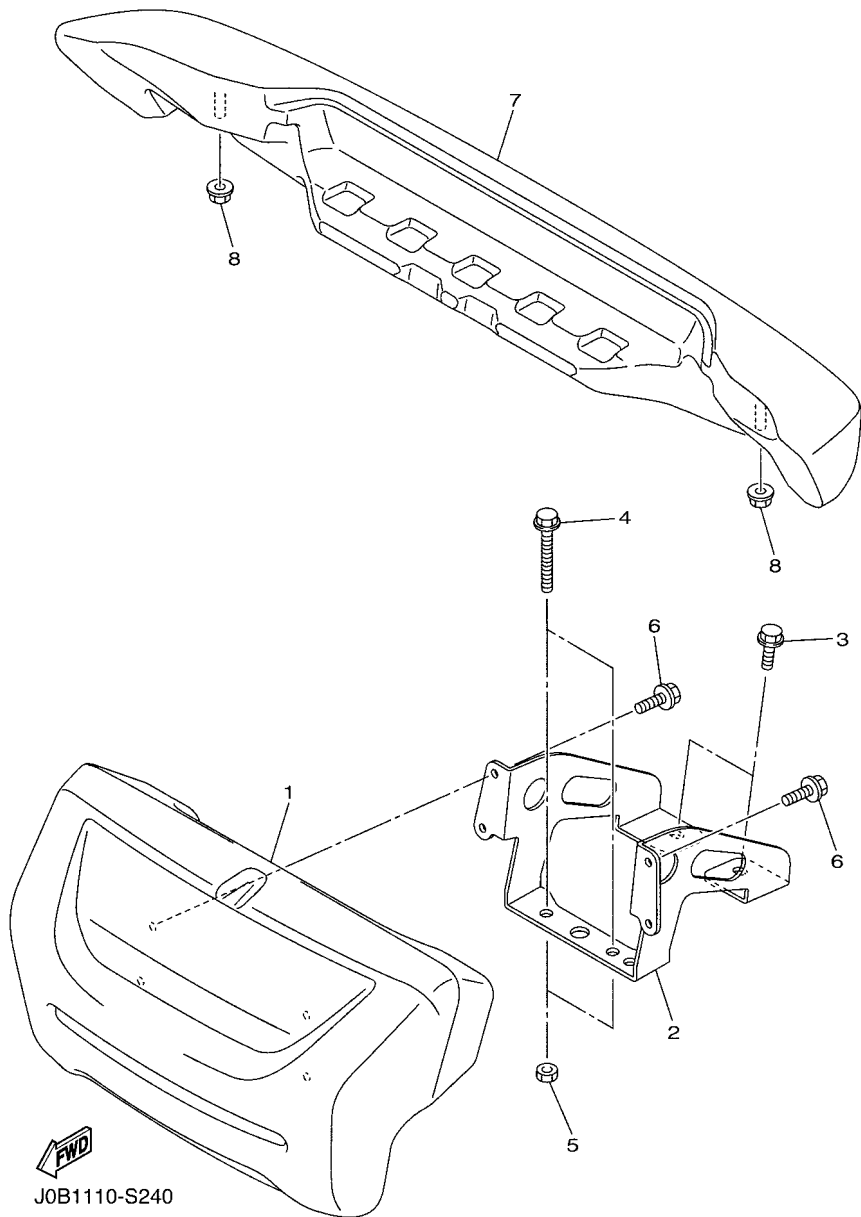
FIG. 8 TRANSAXLE



J0C1110-S080

REF. NO.	PART NO.	DESCRIPTION	J0C1				REMARKS
28	93101-24822	.OIL SEAL	2				
29	93420-44805	.CIRCLIP	4				
30	93306-00440	.BEARING	2				
31	JW8-G6514-00	.HUB, REAR AXLE	2				
32	JW8-G4178-00	.BOLT, STUD	8				
33	JW8-G5244-00	.NUT	2				
34	JW8-G2535-00	.WASHER, THRUST	2				
35	JW8-G2536-00	.WASHER, THRUST 2	2				
36	JW8-G2756-00	.STAY, CLAMP	1				
37	JW8-G6521-00	.DRUM	2				
38	JW8-F5118-00	COVER, HUB DUST	2				
39	JW8-G2541-00	PIPE 1	1				

FIG. 10 BUMPER



REF. NO.	PART NO.	DESCRIPTION	JOC1	REMARKS
1	J0B-K7510-00	FRONT BUMPER COMP.	1	
2	J0B-K8164-00	STAY, FRONT BUMPER (L.H)	1	
3	95812-08016	BOLT, FLANGE	2	
4	95812-08050	BOLT, FLANGE	2	
5	95302-08700	NUT, HEXAGON	2	
6	95822-06012	BOLT, FLANGE	4	
7	JW8-K7540-00	REAR BUMPER COMP.	1	
8	95602-10200	NUT, S/L FLANGE	2	

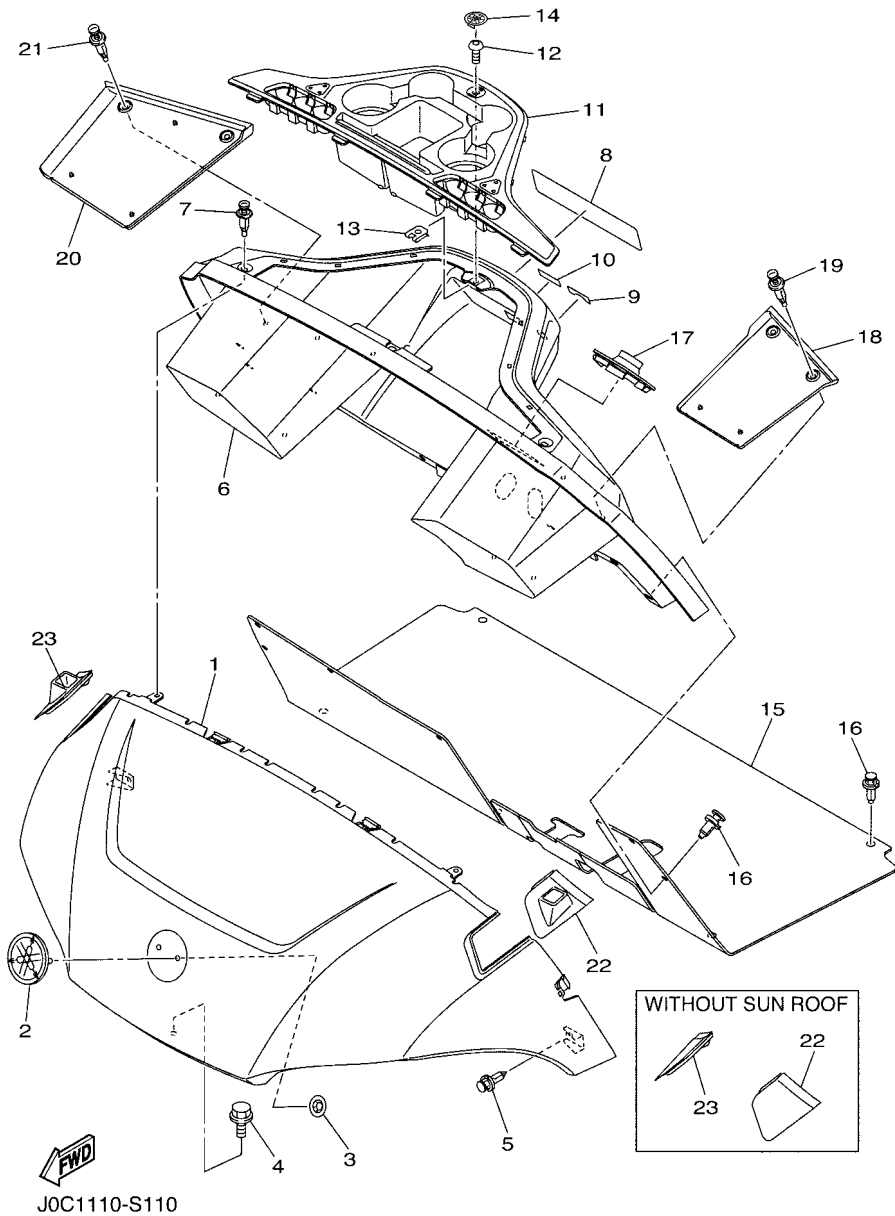


FIG. 11 BODY

REF. NO.	PART NO.	DESCRIPTION	J0C1		REMARKS
1	J0B-K8115-A0	COWL, FRONT	1		UR FOR BW1
	J0B-K8115-10	COWL, FRONT	1		UR FOR VDGS1
	J0B-K8115-00	COWL, FRONT	1		UR FOR DNBME
	J0B-K8115-20	COWL, FRONT	1		UR FOR LNYM8
	J0B-K8115-30	COWL, FRONT	1		UR FOR LNMP
	J0B-K8115-40	COWL, FRONT	1		UR FOR DYNM2
	J0B-K8115-B0	COWL, FRONT	1		UR FOR NYS4
	J0B-K8115-50	COWL, FRONT	1		UR FOR HTR
	J0B-K8115-60	COWL, FRONT	1		UR FOR DNMC
2	J0B-F4161-00	EMBLEM 1	1		
3	JU0-K7573-00	NUT, SPECIAL	2		
4	90105-06831	BOLT, FLANGE	1		
5	90269-06804	RIVET	2		
6	J0B-K8114-00	PANEL, FRONT	1		UR FOR CAN
	J0C-K8114-00	PANEL, FRONT	1		UR EXCEPT FOR CAN
7	90269-07803	RIVET	3		
8	J0B-K7768-00	LABEL, WARNING 8	1		UR ENGLISH
	J0B-K7768-10	LABEL, WARNING 8	1		UR ENGLISH/FRENCH
	J0B-K7768-20	LABEL, WARNING 8	1		UR GERMAN/SPANISH
9	J0B-K8282-00	PLATE, SWITCH PANEL	1		
10	J0C-K7741-00	INDICATOR 1	1		
11	J0B-K835E-00	HOLDER, BEVERAGE	1		
12	90111-05805	BOLT, HEX. SOCKET BUTTON	1		
13	90183-05008	NUT, SPRING	1		
14	J0B-H2370-00	PLUG CAP ASSY	1		
15	J0B-K8233-00	MAT, MAIN FLOOR 3	1		
16	90269-09003	RIVET	12		

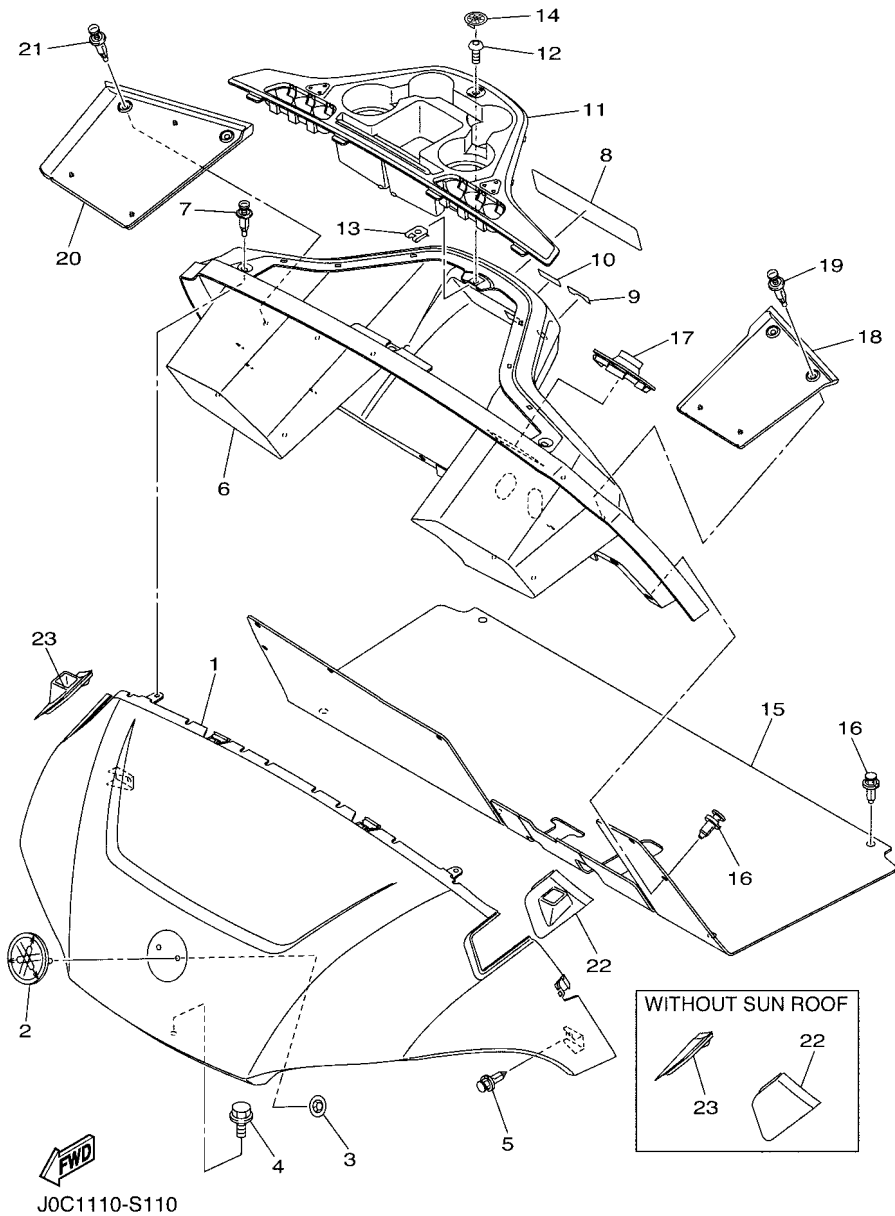
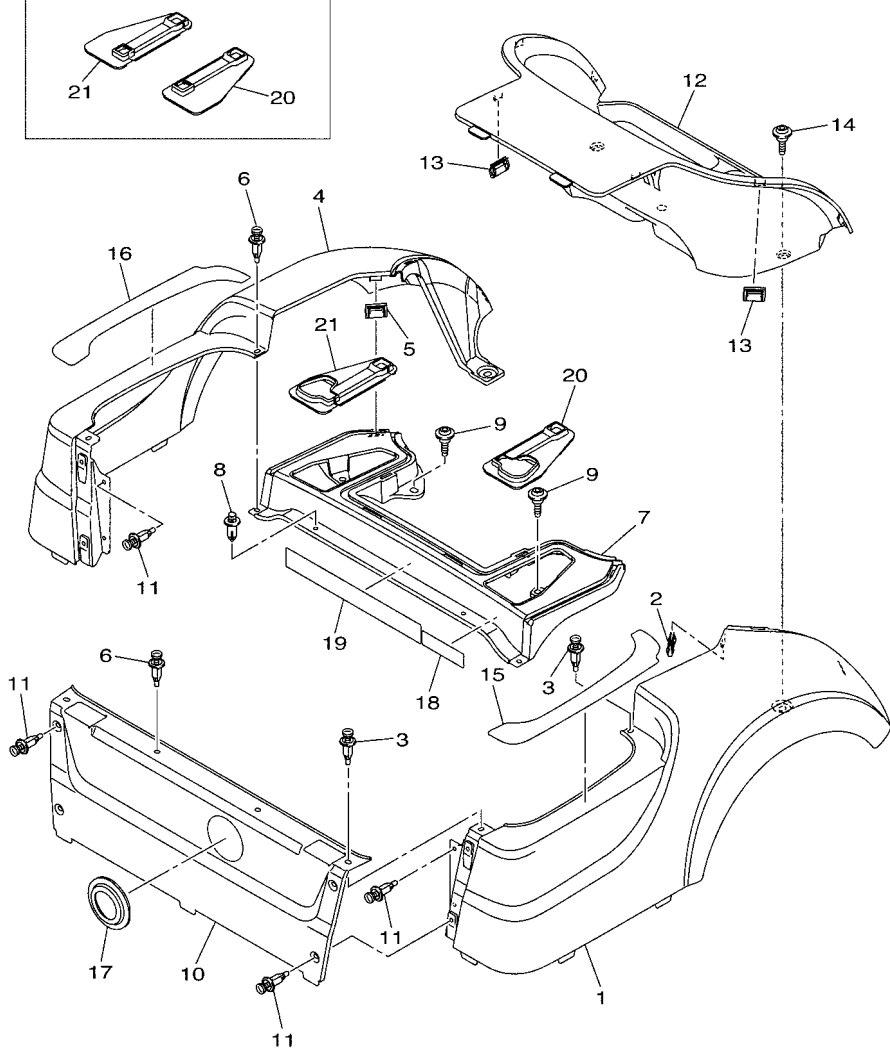


FIG. 11 BODY

REF. NO.	PART NO.	DESCRIPTION	J0C1				REMARKS
17	J0B-K8273-00	COVER, HOLE	1				
18	J0B-K8243-00	MAT, REAR BODY SIDE (LH)	1				
19	90269-07803	RIVET	2				
20	J0B-K8244-00	MAT, REAR BODY SIDE (RH)	1				
21	90269-07803	RIVET	2				
22	J0B-K832F-10	GROMMET, ROOF SUPPORT 1	1				WITH SUN ROOF
	J0B-K832F-00	GROMMET, ROOF SUPPORT 1	1				WITHOUT SUN ROOF
23	J0B-K832G-10	GROMMET, ROOF SUPPORT 2	1				WITH SUN ROOF
	J0B-K832G-00	GROMMET, ROOF SUPPORT 2	1				WITHOUT SUN ROOF

WITHOUT SUN ROOF

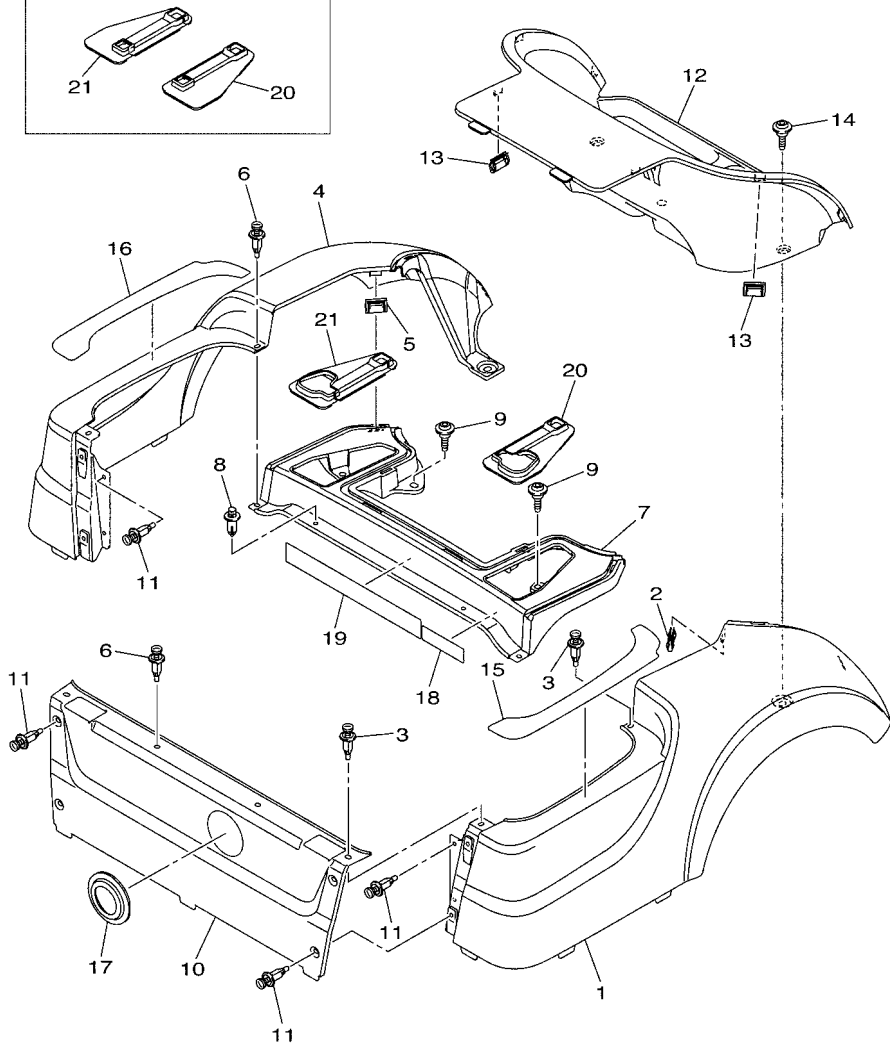


J0C1110-S120

FIG. 12 BODY 2

REF. NO.	PART NO.	DESCRIPTION	J0C1		REMARKS
1	J0B-K8111-A0	PANEL, BODY SHELL	1		UR FOR BW1
	J0B-K8111-10	PANEL, BODY SHELL	1		UR FOR VDGS1
	J0B-K8111-00	PANEL, BODY SHELL	1		UR FOR DNBME
	J0B-K8111-20	PANEL, BODY SHELL	1		UR FOR LNYM8
	J0B-K8111-30	PANEL, BODY SHELL	1		UR FOR LNMP
	J0B-K8111-40	PANEL, BODY SHELL	1		UR FOR DYNM2
	J0B-K8111-B0	PANEL, BODY SHELL	1		UR FOR NYS4
	J0B-K8111-50	PANEL, BODY SHELL	1		UR FOR HTR
	J0B-K8111-60	PANEL, BODY SHELL	1		UR FOR DNMC
2	J0B-F3447-00	CLIP	1		
3	90269-07803	RIVET	3		
4	J0B-K8112-A0	PANEL, BODY SHELL	1		UR FOR BW1
	J0B-K8112-10	PANEL, BODY SHELL	1		UR FOR VDGS1
	J0B-K8112-00	PANEL, BODY SHELL	1		UR FOR DNBME
	J0B-K8112-20	PANEL, BODY SHELL	1		UR FOR LNYM8
	J0B-K8112-30	PANEL, BODY SHELL	1		UR FOR LNMP
	J0B-K8112-40	PANEL, BODY SHELL	1		UR FOR DYNM2
	J0B-K8112-B0	PANEL, BODY SHELL	1		UR FOR NYS4
	J0B-K8112-50	PANEL, BODY SHELL	1		UR FOR HTR
	J0B-K8112-60	PANEL, BODY SHELL	1		UR FOR DNMC
5	J0B-F3447-00	CLIP	1		
6	90269-07803	RIVET	3		
7	J0B-K819H-00	SHELL, REAR BODY	1		
8	JW7-K7329-00	RIVET	2		
9	J0B-F1738-00	BOLT	4		
10	J0C-K8141-A0	PANEL, INTERMEDIATE BODY	1		UR FOR BW1
	J0C-K8141-10	PANEL, INTERMEDIATE BODY	1		UR FOR VDGS1

WITHOUT SUN ROOF

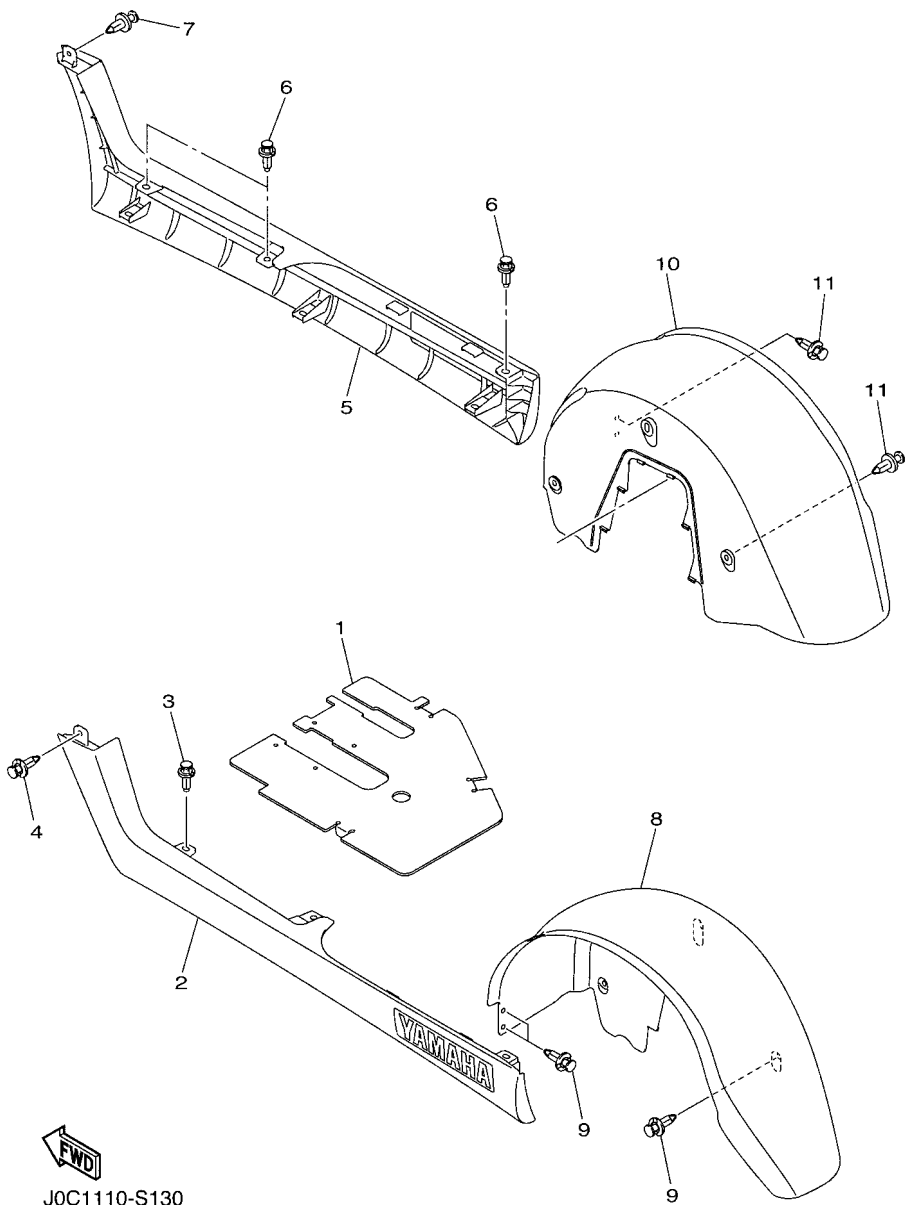


J0C1110-S120

FIG. 12 BODY 2

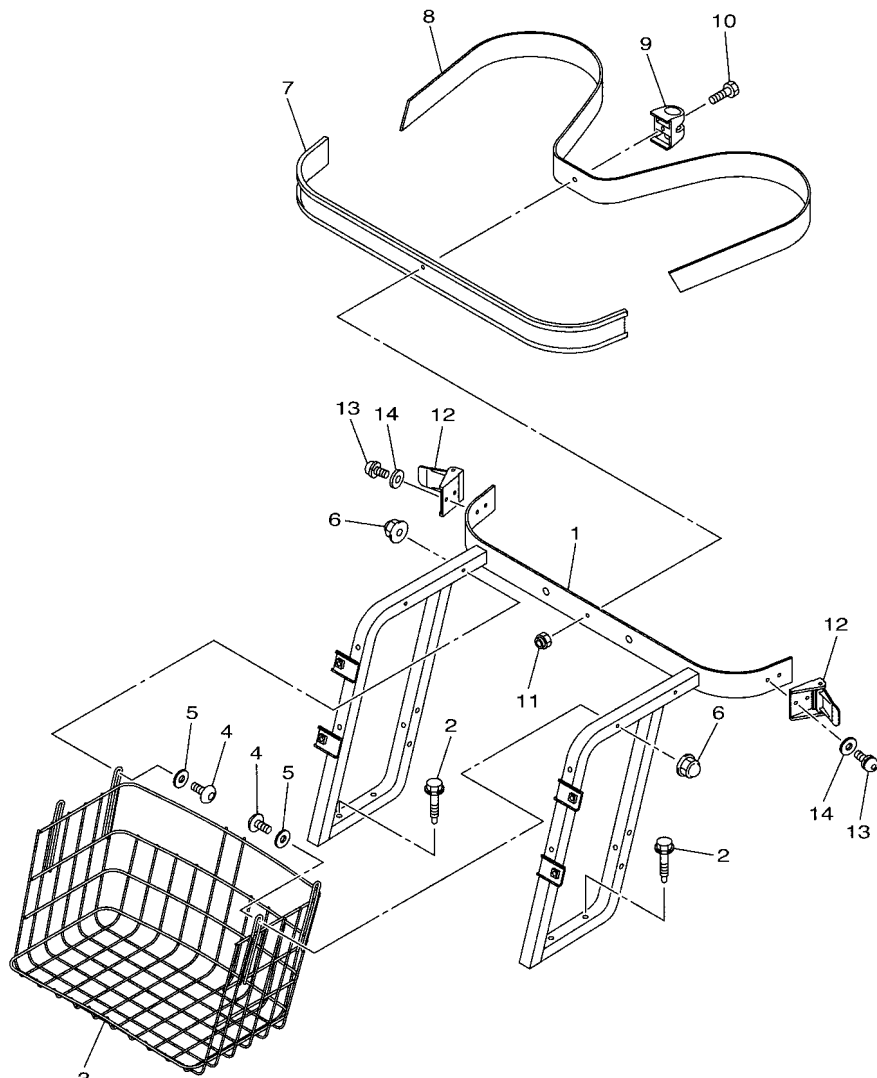
REF. NO.	PART NO.	DESCRIPTION	J0C1		REMARKS
10	J0C-K8141-00	PANEL, INTERMEDIATE BODY	1		UR FOR DNBME
	J0C-K8141-20	PANEL, INTERMEDIATE BODY	1		UR FOR LNYM8
	J0C-K8141-30	PANEL, INTERMEDIATE BODY	1		UR FOR LNMP
	J0C-K8141-40	PANEL, INTERMEDIATE BODY	1		UR FOR DYNM2
	J0C-K8141-B0	PANEL, INTERMEDIATE BODY	1		UR FOR NYS4
	J0C-K8141-50	PANEL, INTERMEDIATE BODY	1		UR FOR HTR
	J0C-K8141-60	PANEL, INTERMEDIATE BODY	1		UR FOR DNMC
11	90269-07803	RIVET	8		
12	J0B-K8237-01	COVER, REAR FLOOR	1		
13	J0B-F3447-00	CLIP	4		
14	J0B-F1738-00	BOLT	2		
15	J0B-F2873-01	SEAL 1	1		
16	J0B-F2874-01	SEAL 2	1		
17	J0C-K827A-00	GUIDE 1	1		
18	J0C-K8298-00	PLATE, CAUTION 2	1		UR FOR CAN
	J0C-K8298-10	PLATE, CAUTION 2	1		UR EXCEPT FOR CAN
19	JW9-K8297-01	PLATE, CAUTION 1	1		UR FOR CAN
	JW9-K8297-11	PLATE, CAUTION 1	1		UR EXCEPT FOR CAN
20	J0B-K817H-00	TRIM, SIDE PANEL 1	1		WITHOUT SUN ROOF
	J0B-K817H-10	TRIM, SIDE PANEL 1	1		WITH SUN ROOF
21	J0B-K817J-00	TRIM, SIDE PANEL 2	1		WITHOUT SUN ROOF
	J0B-K817J-10	TRIM, SIDE PANEL 2	1		WITH SUN ROOF

FIG. 13 BODY FITTING



REF. NO.	PART NO.	DESCRIPTION	J0C1	REMARKS
1	J0B-K8271-00	SERVICE LID, PEDAL	1	
2	J0B-K818A-00	PROTECTOR, SIDE PLATE	1	
3	90269-09003	RIVET	3	
4	90269-06804	RIVET	1	
5	J0B-K818B-00	PROTECTOR, SIDE PLATE 2	1	
6	90269-09003	RIVET	3	
7	90269-06804	RIVET	1	
8	J0B-K8191-00	PANEL, REAR FENDER 1	1	
9	90269-06804	RIVET	5	
10	J0B-K8192-00	PANEL, REAR FENDER 2	1	
11	90269-06804	RIVET	5	

FIG. 14 CARRIER



J0B1110-S280

REF. NO.	PART NO.	DESCRIPTION	JOC1				REMARKS
1	J0B-K8423-00	SUPPORT, SEAT BACK	1				
2	90109-08002	BOLT	4				
3	JW1-K8340-00	LUGGAGE RACK ASSY., REAR	1				
4	92017-06040	BOLT, BUTTON HEAD	4				
5	J0B-K7389-00	WASHER	4				
6	90176-06008	NUT, CROWN	4				
7	JF2-K8356-00	PAD, BAG SUPPORT	1				
8	JN6-K8355-20	BAND	1				
9	JW1-K834G-00	HOLDER, RAKE SAND	1				
10	9708R-06020	BOLT	1				
11	90185-06836	NUT, SELF-LOCKING	1				
12	JN6-K8380-00	LOCK ASSY	2				
13	90159-06845	SCREW, WITH WASHER	4				
14	9299R-06200	WASHER	4				

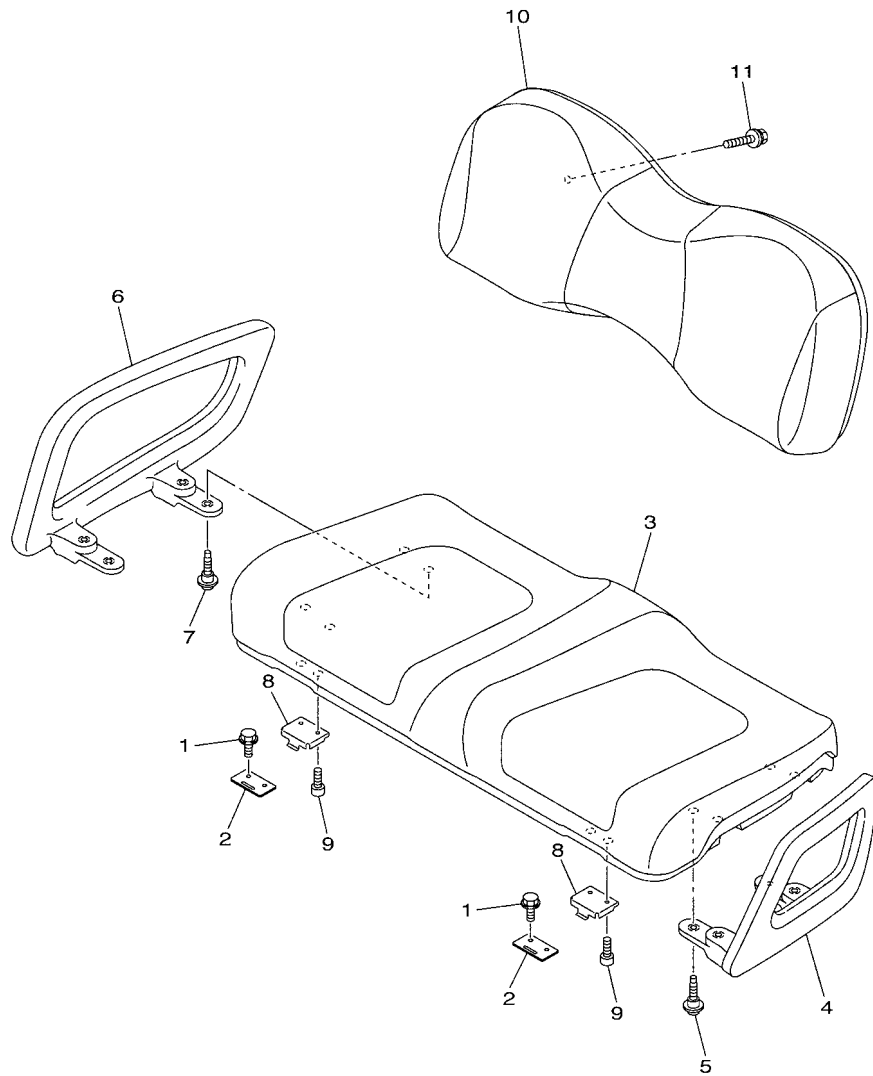


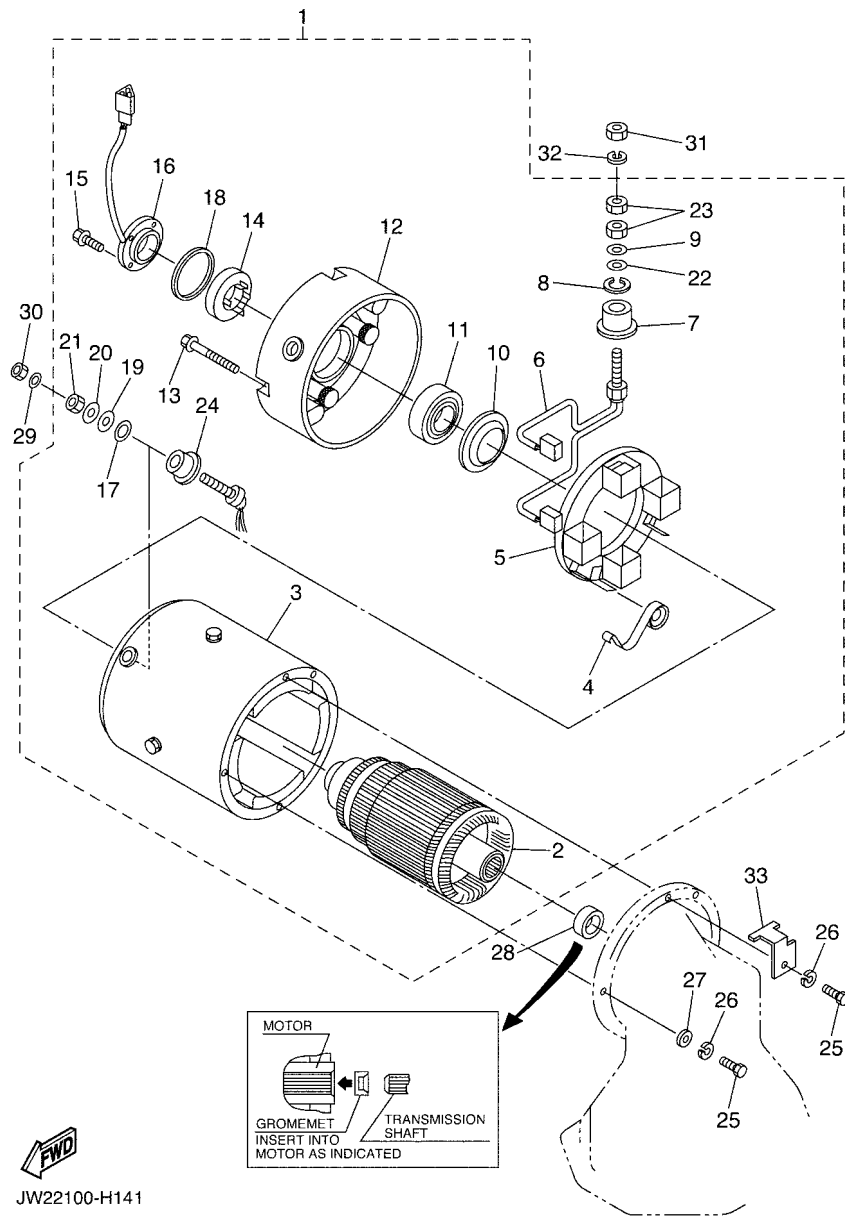
FIG. 15 SEAT

REF. NO.	PART NO.	DESCRIPTION	JOC1				REMARKS
1	JW9-H1674-00	BOLT	4				
2	JW1-K8427-00	HINGE, SEAT 2	2				
3	J0A-K8401-00	SEAT SUB-ASSY,CUSHION	1				
4	J0B-K8361-00	ARM REST 1	1				
5	J0B-F1738-00	BOLT	4				
6	J0B-K8362-00	ARM REST 2	1				
7	J0B-F1738-00	BOLT	4				
8	J0B-K8426-01	HINGE, SEAT 1	2				
9	90110-06125	BOLT, HEXAGON SOCKET HEAD	4				
10	JW1-K8402-10	SEAT SUB ASSY, BACK	1				
11	90119-06808	BOLT, WITH WASHER	4				



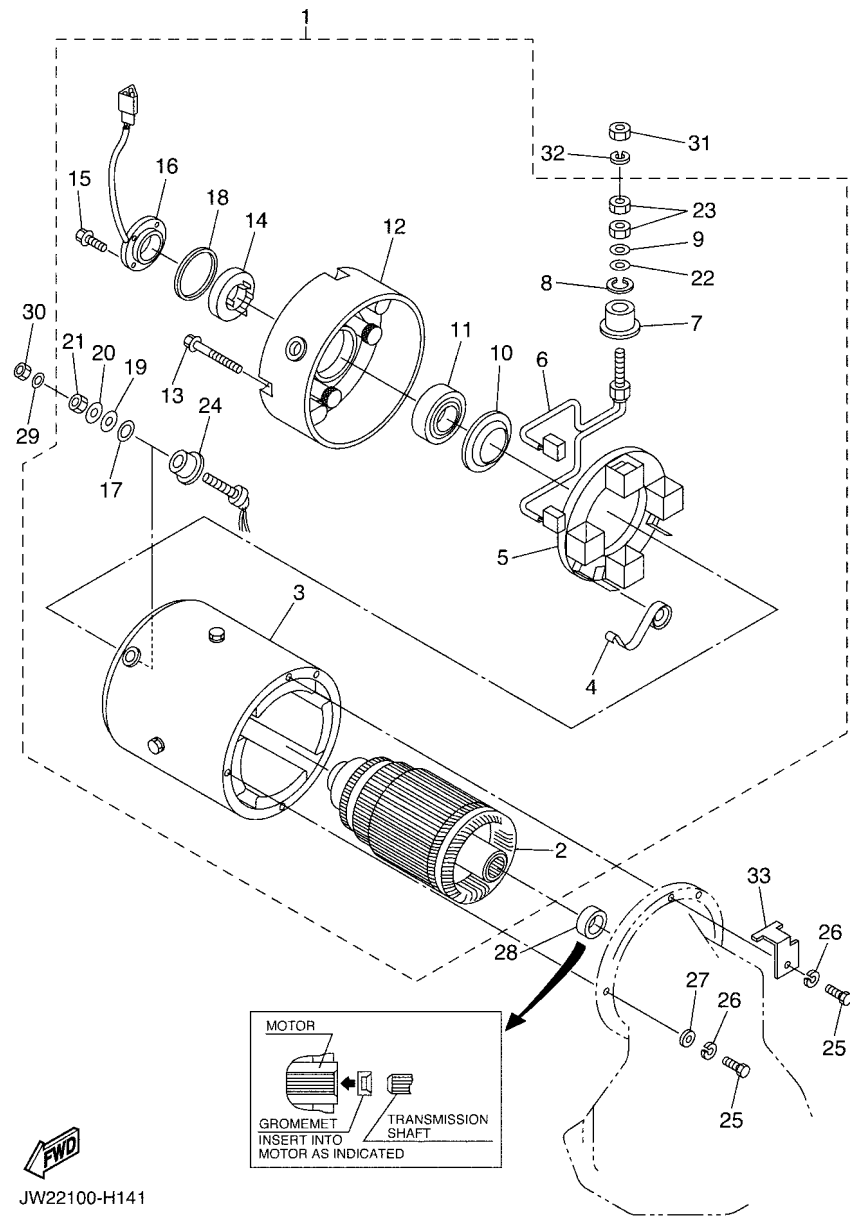
J0B1110-S290

FIG. 16 ELECTRIC MOTOR



REF. NO.	PART NO.	DESCRIPTION	JOC1				REMARKS
1	JU2-H1890-23	MOTOR ASSY	1				
2	JU2-H1850-23	.ARMATURE ASSY	1				
3	JU2-H1160-20	.FIELD COIL ASSY	1				
4	JU2-H1617-20	.SPRING, BRUSH	4				
5	JU2-H1840-20	.BRUSH HOLDER ASSY	1				
6	JU2-H1801-20	.BRUSH SET	2				
7	JU2-H182G-20	.BUSH, TERMINAL	2				
8	JU2-H1843-20	.WASHER 1	2				
9	JU2-H181L-20	.WASHER, PLAIN	2				
10	JU2-H1856-20	.RETAINER	1				
11	JU2-H185B-20	.BEARING 1	1				
12	JU2-H183J-20	.BRACKET, FRONT	1				
13	JU2-H1828-20	.SCREW 2	4				
14	JU2-H181K-20	.MAGNET	1				
15	JU2-H2113-20	.SCREW	4				
16	JU2-H1670-22	.PICK-UP ASSY	1				
17	JU2-H272L-20	.INSULATOR, 1	2				
18	JU2-H5722-20	.INSULATOR	1				
19	JU2-H2517-20	.WASHER, SPECIAL	2				
20	JU2-H332D-20	.WASHER, SPECIAL 2	2				
21	JU2-H191B-20	.NUT	4				
22	JU2-H1824-20	.WASHER 2	2				
23	JU2-H182K-20	.NUT	4				
24	JU2-H182H-20	.BUSH, TERMINAL 2	2				
25	90101-069U0	BOLT	3				
26	90215-06811	WASHER, LOCK	3				
27	90201-068E2	WASHER, PLATE	2				

FIG. 16 ELECTRIC MOTOR



REF. NO.	PART NO.	DESCRIPTION	JOC1				REMARKS
28	JW9-H1829-00	GROMMET	1				
29	JU2-H185A-20	WASHER, PLATE	2				
30	JU2-H182A-20	NUT	2				
31	JU2-H1872-20	NUT, SPECIAL	2				
32	JU2-H1835-20	WASHER	2				
33	JU2-H218E-01	RELIEF, STRAIN 1	1				

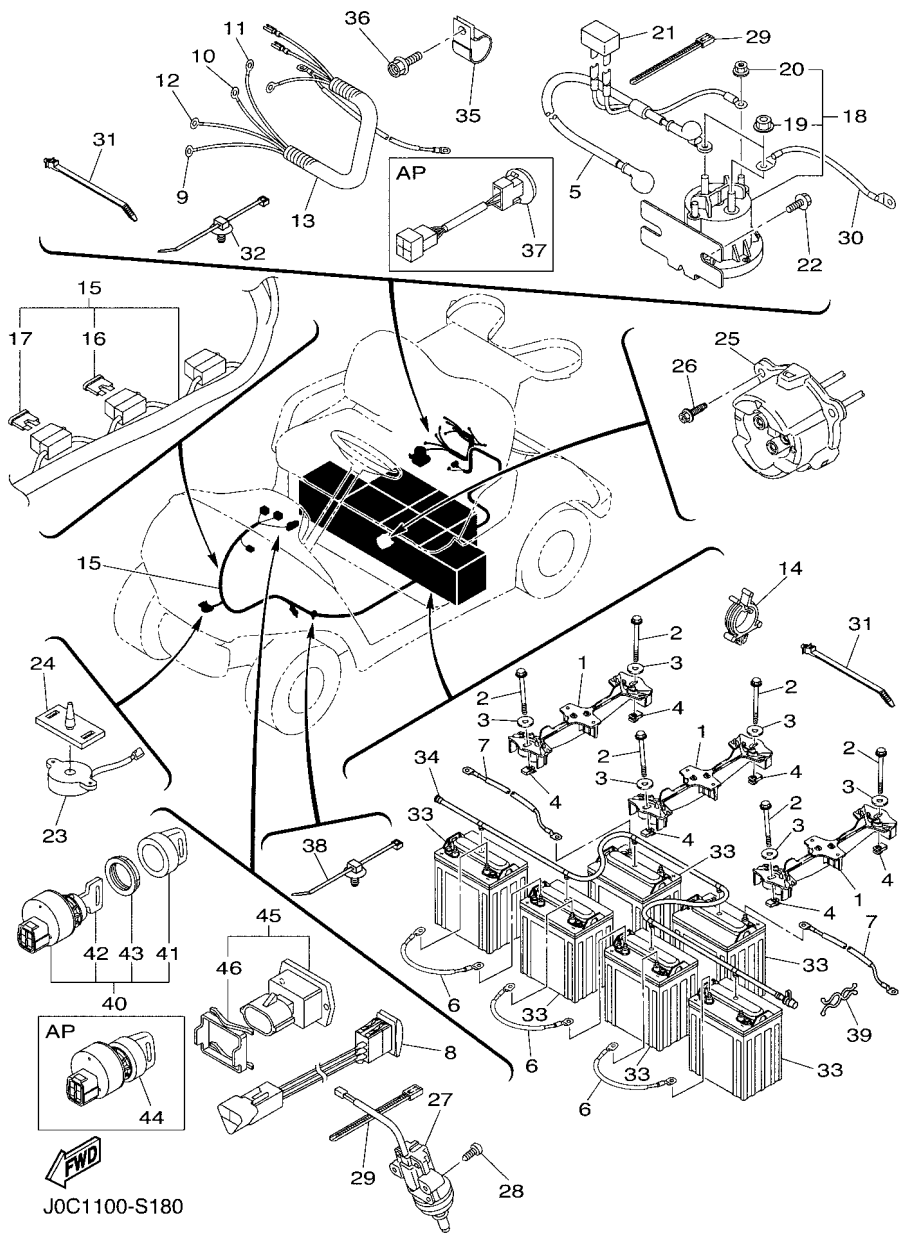


FIG. 18 ELECTRICAL 1

REF. NO.	PART NO.	DESCRIPTION	J0C1	REMARKS
1	JW9-H2136-00	PLATE, BATTERY FITTING	3	
2	JW9-H1892-00	BOLT, SPECIAL	6	
3	90201-08310	WASHER, PLATE	6	
4	JW9-K811K-00	NUT, TRIM FITTING	6	
5	JW9-H2115-20	WIRE, PLUS LEAD	1	
6	JW9-H2127-00	WIRE, LEAD 2	3	
7	JW9-H2149-00	WIRE, LEAD 3	2	
8	JU2-H2917-00	SWITCH	1	
9	JU2-H2521-20	WIRE, LEAD	1	(S1)
10	JU2-H2531-20	WIRE, LEAD	1	(S2)
11	JU2-H6171-20	WIRE, LEAD 1	1	(A1)
12	JW9-H6172-00	WIRE, LEAD 2	1	(A2)
13	JU2-H7196-20	TUBE 1	1	
14	90464-25826	CLAMP	2	
15	J0C-H2590-00	WIRE HARNESS ASSY	1	UR FOR CAN
	J0C-H2590-10	WIRE HARNESS ASSY	1	UR EXCEPT FOR CAN
16	J0C-H2151-00	.FUSE (5A)	1	
17	JR1-H2151-00	.FUSE (3A)	1	
18	JW9-H1950-20	RELAY ASSY	1	
19	90179-05807	.NUT	2	
20	90179-08824	.NUT	2	
21	JW9-85371-00	RESISTOR COMP.	1	
22	90105-06831	BOLT, FLANGE	2	
23	JR1-H3383-02	BUZZER	1	
24	JN6-H3386-01	STAY, BUZZER	1	
25	JW9-H6181-00	RECEPTACLE	1	
26	JW1-F3394-00	BOLT, SPECIAL	3	

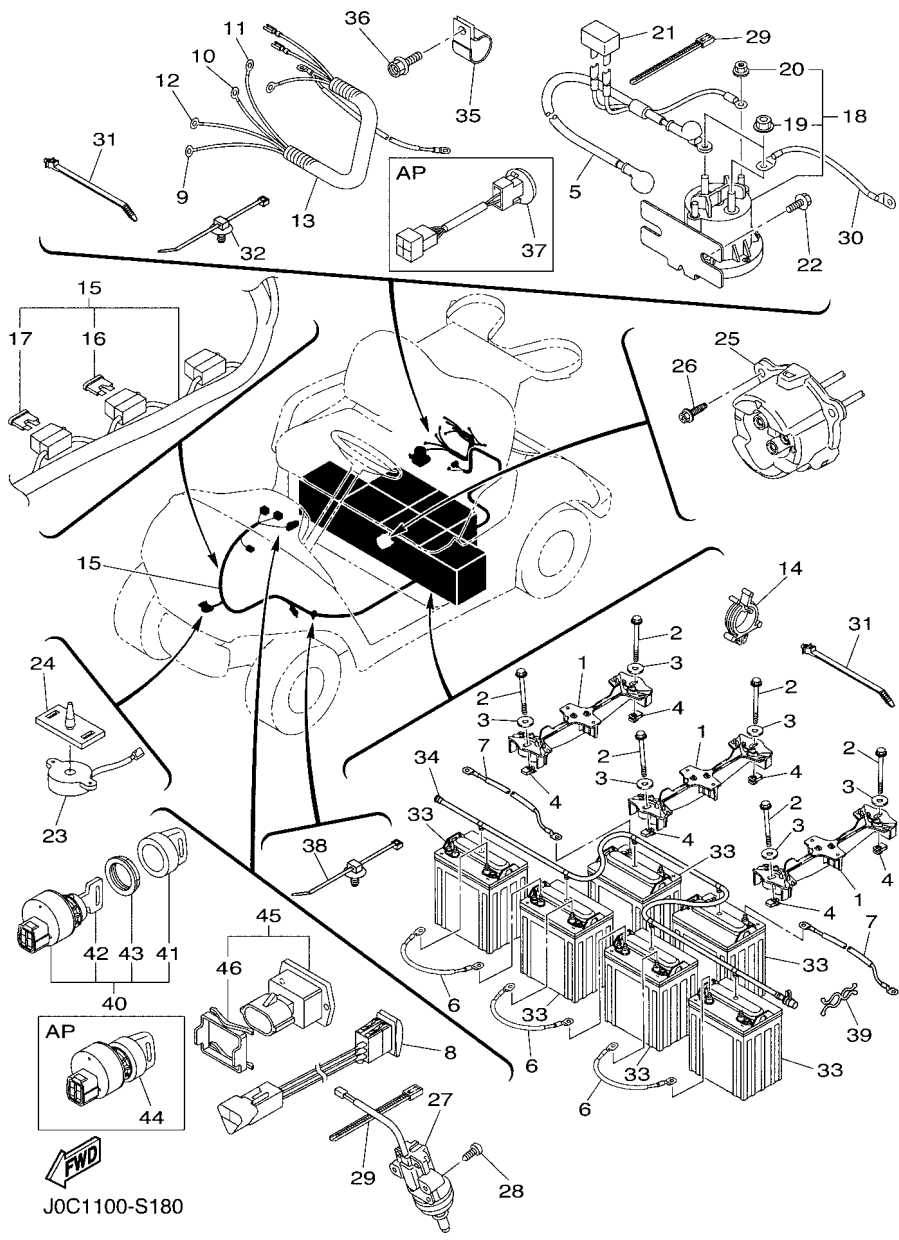
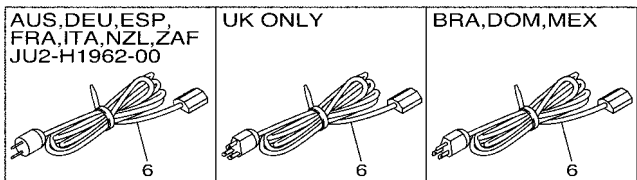
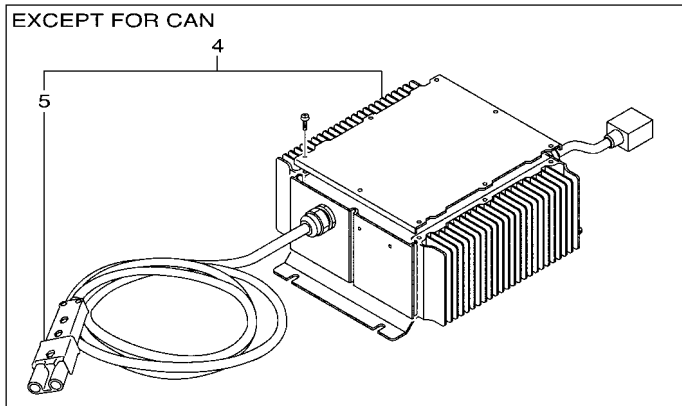
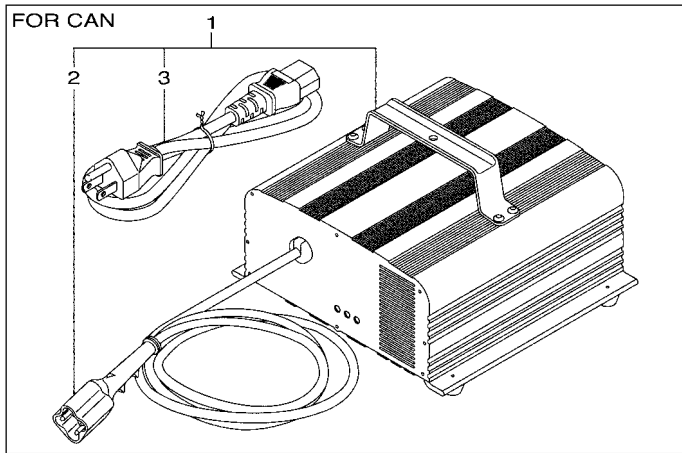


FIG. 18 ELECTRICAL 1

REF. NO.	PART NO.	DESCRIPTION	JOC1	REMARKS
27	JF7-82817-22	SWITCH	1	
28	97602-05225	SCREW, PAN HEAD WITH WASHER	2	
29	90464-40825	CLAMP	3	
30	JW2-H6527-00	WIRE 7	1	
31	90464-20005	CLAMP	8	
32	5B4-F1338-00	CLAMP	1	
33	*	BATTERY ASSY (8V, GC8)	6	LM
34	JW9-H210G-00	BATTERY WATERING SYSTEM ASSY.	1	
35	90461-14108	CLAMP	1	
36	90105-08867	BOLT, FLANGE	1	
37	JU2-HA2F0-00	TRANSMITTER UNIT	1	AP
38	1NS-F1338-00	CLAMP	1	
39	90464-14134	CLAMP	1	
40	JW1-H2510-00	MAIN SWITCH ASSY	1	STD
41	5UG-H2579-00	.CAP, KEY	1	
42	JU2-H2511-00	.KEY, MAIN SWITCH	2	
43	JU6-H2569-00	.NUT, MAIN SWITCH	1	
44	JU2-H2510-20	MAIN SWITCH ASSY	1	AP RANOMEKEY
45	JW2-H351B-00	GAUGE, BATTERY	1	EXCEPT FOR CAN
46	JW1-H1128-00	.CLAMP	1	EXCEPT FOR CAN

FIG. 19 BATTERY CHARGER

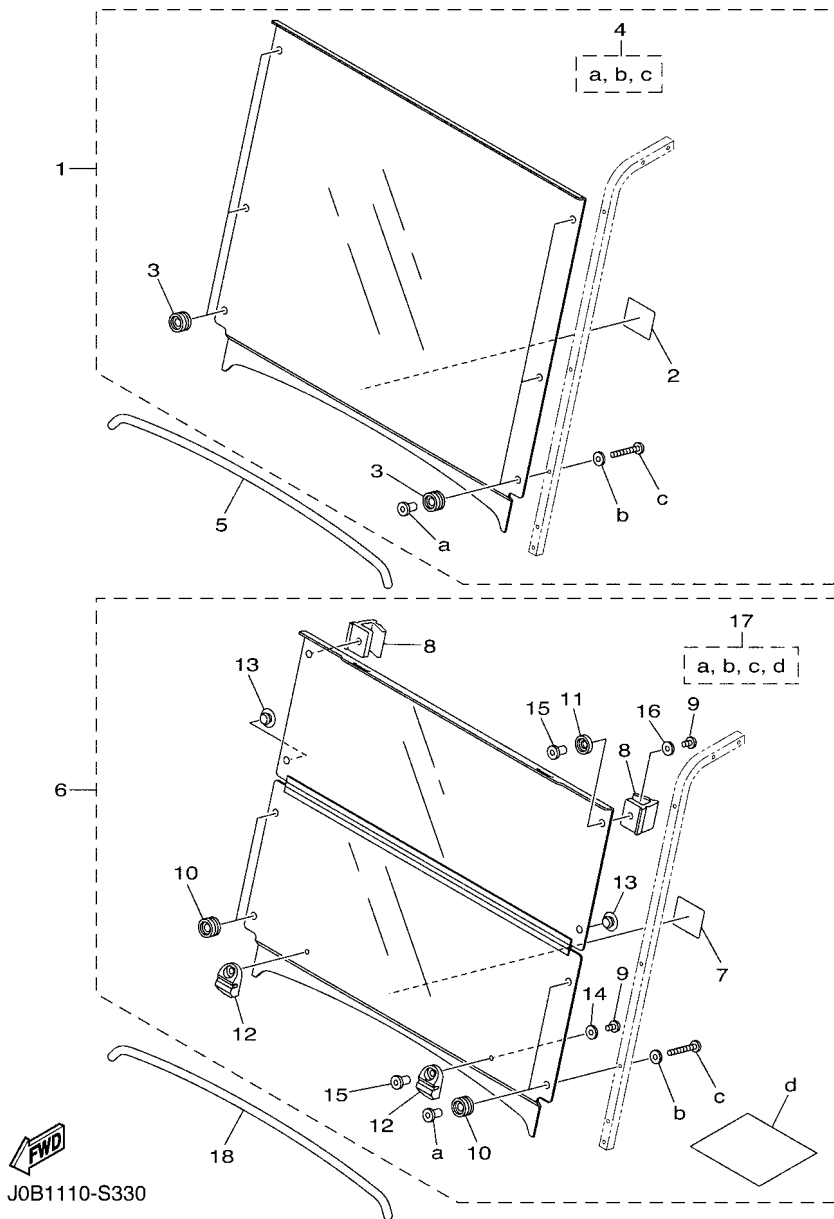


REF. NO.	PART NO.	DESCRIPTION	JOC1				REMARKS
1	JW9-82107-03	CHARGER, BATTERY	1				FOR CAN
2	JW9-82174-00	.DC CORD ASSY	1				FOR CAN
3	JW9-81962-00	.AC CORD COMP.	1				FOR CAN
4	JW2-H2107-13	CHARGER, BATTERY	1				EXCEPT FOR CAN
5	JR1-H235A-00	.DC PLUG SET	1				EXCEPT FOR CAN
6	JU2-H1962-00	CORD COMP. (220V)	1				UR
	JU2-H1962-20	CORD COMP. (100V)	1				UR BRA,DOM,MEX
	JU2-H1962-10	CORD COMP. (240V)	1				UR UK

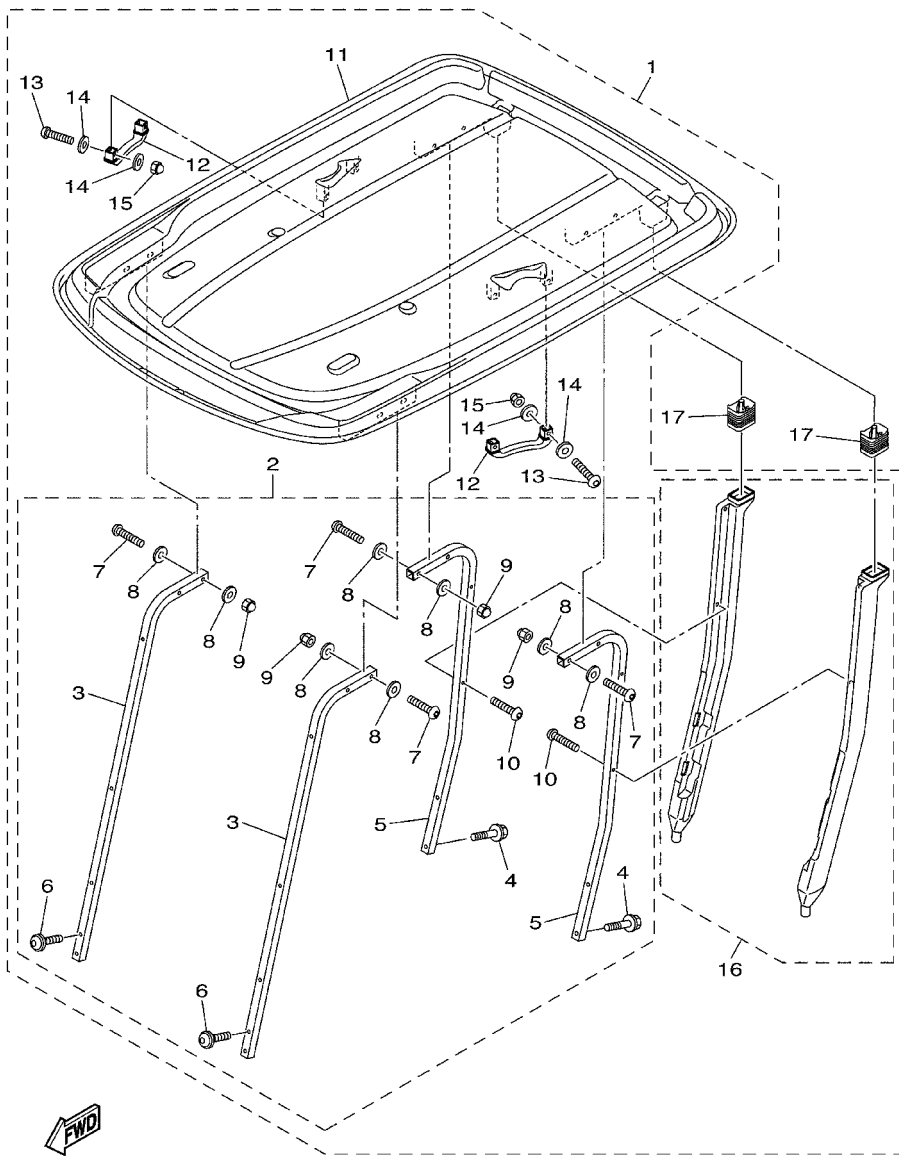


JW95100-N170

FIG. 20 ALTERNATE FOR WINDSHIELD



REF. NO.	PART NO.	DESCRIPTION	JUIC				REMARKS
1	J0B-K7200-00	WINDSHIELD ASSY	1				UR CLEAR
	J0B-K7200-10	WINDSHIELD ASSY	1				UR SMOKE
2	J0B-K7458-00	.LABEL, WARNING	1				
3	J0B-K7237-00	.GROMMET	6				
4	J0B-K7240-00	.WIND SHIELD HARDWARE KIT 1	1				
5	J0B-K7213-00	TRIM, UPPER	1				
6	J0B-K7200-20	WINDSHIELD ASSY	1				UR CLEAR
	J0B-K7200-30	WINDSHIELD ASSY	1				UR SMOKE
7	J0B-K7458-00	.LABEL, WARNING	1				
8	J0B-K7173-20	.LEVER, LATCH 1	2				
9	J0B-K7258-00	.SCREW, 2	4				
10	J0B-K7237-00	.GROMMET	2				
11	J0B-K7247-00	.GROMMET, W/S 2	2				
12	J0B-K7257-00	.GROMMET, W/S 3	2				
13	J0B-K7238-00	.DAMPER	2				
14	J0B-K7218-00	.WASHER 1	2				
15	J0B-K7217-00	.NUT, WIND SHIELD	4				
16	J0B-K7219-00	.WASHER 2	2				
17	J0B-K7240-20	.WIND SHIELD HARDWARE KIT 1	1				
18	J0B-K7213-00	TRIM, UPPER	1				



J1B1400-S151

FIG. 21 ALTERNATE FOR SUN ROOF

REF. NO.	PART NO.	DESCRIPTION	JOC1				REMARKS
1	J0B-K84A0-00	SUN TOP KIT	1				UR AP TAN
	J0B-K84A0-10	SUN TOP KIT	1				UR AP BLACK
2	J0B-K84A2-00	.HARDWARE KIT, SUN TOP	1				
3	J0B-K8312-00	..SUPPORT, SUN ROOF 1	2				
4	JW1-K8388-00	..BOLT, ROOF 1	4				
5	JW1-K8313-01	..SUPPORT, SUN ROOF 2	2				
6	J0B-K8388-00	..BOLT, ROOF 1	4				
7	JU0-K8388-00	..BOLT, ROOF 1	8				
8	JW1-F1549-01	..WASHER, FENDER MOLD	16				
9	JU0-K8398-00	..NUT, ROOF 1	8				
10	JW1-K7387-00	..SCREW	4				
11	JW1-K8314-10	..COVER, SUN ROOF	1				UR TAN
	JW1-K8314-20	..COVER, SUN ROOF	1				UR BLACK
12	JW1-K8214-00	..GRIP, HAND	2				
13	JU0-K8388-00	..BOLT, ROOF 1	4				
14	JW1-F1549-01	..WASHER, FENDER MOLD	8				
15	JU0-K8398-00	..NUT, ROOF 1	4				
16	J0B-F417A-00	..DRAIN TUBE ASSY	1				
17	JW1-F414G-10	SEAL	2				

NUMERICAL INDEX

PART NO.	REF. NO.	PART NO.	REF. NO.	PART NO.	REF. NO.	PART NO.	REF. NO.	PART NO.	REF. NO.	PART NO.	REF. NO.
401-22128-01	3 - 16	JW1-F3400-00	4 - 10	JN6-F5685-01	5 - 6	JW8-F815H-01	6 - 42	JU2-H1856-20	16 - 10	JU2-HA2F0-00	18 - 37
2NL-23448-00	3 - 9	J0B-F3447-00	12 - 2	JW9-F5827-00	6 - 53	JW8-F8319-00	6 - 29	JU2-H185A-20	16 - 29	J0B-K7173-20	20 - 8
2NL-23517-00	3 - 11		12 - 5	JW9-F5827-00	6 - 53	JW8-F8323-00	6 - 24	JU2-H185B-20	16 - 11	J0B-K7200-00	20 - 1
2HR-23526-00	3 - 3		12 - 13	JW8-F6314-00	6 - 21	JW8-F8331-00	6 - 47	JU2-H1872-20	16 - 31	J0B-K7200-10	20 - 1
JW8-23841-01	4 - 27	5UG-F3489-00	4 - 20	JW9-F632G-00	6 - 54	JW8-F8363-00	6 - 7	JU2-H1890-23	16 - 1	J0B-K7200-20	20 - 6
J38-27204-00	7 - 15	JU0-F3511-20	3 - 4	JW9-F6351-10	5 - 1	JW8-G2535-00	8 - 34	JW9-H1892-00	18 - 2	J0B-K7200-30	20 - 6
J38-27205-00	7 - 4	JW1-F3512-00	3 - 5	JW8-F639L-00	6 - 22	JW8-G2536-00	8 - 35	JU2-H191B-20	16 - 21	J0B-K7213-00	20 - 5
J55-27260-00	7 - 9	JU0-F3521-20	3 - 12	JW8-F639N-00	6 - 9	JW8-G2541-00	8 - 39	JW9-H1950-20	18 - 18		20 - 18
J55-27270-00	7 - 20	5UG-F3527-00	4 - 21	JW8-F7113-00	6 - 11	JW8-G2756-00	8 - 36	JU2-H1962-00	19 - 6	J0B-K7217-00	20 - 15
J10-27282-00	7 - 6	J0B-F3570-10	3 - 1	JW8-F7117-00	6 - 6	JH7-G3396-01	8 - 9	JU2-H1962-10	19 - 6	J0B-K7218-00	20 - 14
	7 - 17	JW1-F3811-03	4 - 1	JW8-F7118-00	6 - 41	JW8-G4178-00	8 - 32	JU2-H1962-20	19 - 6	J0B-K7219-00	20 - 16
JW9-81962-00	19 - 3	JW1-F3812-00	4 - 13	JW8-F7119-00	6 - 28	JW8-G5244-00	8 - 33	JW2-H2107-13	19 - 4	J0B-K7237-00	20 - 3
JW9-82107-03	19 - 1	JW1-F3822-01	4 - 29	JW8-F7121-00	6 - 13	JW8-G5378-00	8 - 22	JW9-H210G-00	18 - 34		20 - 10
JW9-82174-00	19 - 2	JU0-F3828-10	4 - 4	JW9-F7200-21	6 - 2	JW9-G6136-00	8 - 8	JU2-H2113-20	16 - 15	J0B-K7238-00	20 - 13
JF7-82817-22	18 - 27	1P0-F3833-00	4 - 26	JW8-F7213-20	6 - 34	JOC-G6300-00	7 - 1	JW9-H2115-20	18 - 5	J0B-K7240-00	20 - 4
JW9-85371-00	18 - 21	JW1-F3837-00	4 - 22	JW8-F7217-00	6 - 32		8 - 1	JW9-H2127-00	18 - 6	J0B-K7240-20	20 - 17
J0B-F125J-00	2 - 17	JN3-F3838-00	4 - 6	JW8-F7218-00	6 - 10	JW9-G6312-00	8 - 19	JW9-H2136-00	18 - 1	J0B-K7247-00	20 - 11
1NS-F1338-00	18 - 38	5UG-F3844-00	4 - 19	JW9-F7221-00	6 - 14	JW9-G631A-00	8 - 18	JW9-H2149-00	18 - 7	J0B-K7257-00	20 - 12
5B4-F1338-00	18 - 32	JU0-F3857-11	4 - 3	JW9-F7228-00	6 - 23	JW9-G6321-00	8 - 3	JOC-H2151-00	18 - 16	J0B-K7258-00	20 - 9
JW1-F1549-01	21 - 8		4 - 5	JW9-F7231-10	6 - 18	JW9-G6350-00	8 - 11	JR1-H2151-00	18 - 17	JW7-K7329-00	12 - 8
	21 - 14	JW1-F3866-00	4 - 24	JW9-F7232-00	6 - 19	JW9-G6410-00	8 - 15	JU2-H218E-01	16 - 33	JW1-K7387-00	21 - 10
J0B-F1738-00	2 - 6	JW1-F387A-00	4 - 11	JW9-F7245-10	6 - 30	JW9-G6421-00	8 - 13	JR1-H235A-00	19 - 5	J0B-K7389-00	14 - 5
	12 - 9	JW1-F387E-00	4 - 14	JW9-F7246-20	6 - 46	JN3-G6432-00	8 - 20	J0B-H2370-00	11 - 14	J0B-K7458-00	20 - 2
	12 - 14	5UG-F387F-00	4 - 17	JW9-F7263-00	6 - 49	JR1-G6511-00	8 - 25	JW1-H2510-10	18 - 40		20 - 7
	15 - 5	5UG-F387G-00	4 - 15	JW8-F7280-00	7 - 13	JR1-G6512-00	8 - 26	JU2-H2510-20	18 - 44	J0B-K7510-00	10 - 1
	15 - 7	5UG-F387J-00	4 - 18	JW8-F7281-00	7 - 5	JW8-G6514-00	8 - 31	JU2-H2511-00	18 - 42	JW8-K7540-00	10 - 7
JW1-F1738-00	2 - 8	5UG-F387K-00	4 - 16		7 - 16	JW8-G6521-00	8 - 37	JU2-H2517-20	16 - 19	JU0-K7573-00	11 - 3
JOC-F2110-00	1 - 1	JW1-F3894-00	4 - 25	JW8-F7286-00	7 - 10	JW1-H1128-00	18 - 46	JU2-H2521-20	18 - 9	JOC-K7741-00	11 - 10
JN6-F2123-10	1 - 2	J0B-F413G-00	21 - 17		7 - 21	JU2-H1160-20	16 - 3	JU2-H2531-20	18 - 10	JW8-K7762-00	4 - 38
JN6-F2124-10	1 - 6	J0B-F413J-00	21 - 18	JW8-F7290-00	7 - 2	JU2-H1617-20	16 - 4	JU6-H2569-00	18 - 43	JW8-K7762-11	4 - 38
J0B-F2127-00	2 - 13	JW1-F414G-10	21 - 19	JW8-F7316-01	6 - 31	JU2-H1670-22	16 - 16	5UG-H2579-00	18 - 41	JW8-K7762-21	4 - 38
JW1-F217G-10	1 - 10	J0B-F4161-00	11 - 2	JW8-F7317-00	6 - 40	JW9-H1674-00	15 - 1	JOC-H2590-00	18 - 15	J0B-K7768-00	11 - 8
JW9-F2198-10	2 - 10	J0B-F417A-00	21 - 16	JW8-F7318-00	6 - 20		17 - 3	JOC-H2590-10	18 - 15	J0B-K7768-10	11 - 8
JOC-F2210-00	1 - 14	JW8-F41B8-00	6 - 51	JW8-F7322-00	6 - 15	JU2-H1801-20	16 - 6	JW2-H2727-00	17 - 2	J0B-K7768-20	11 - 8
JW9-F2417-00	2 - 9	JW8-F4486-00	6 - 44	JOC-F7411-01	2 - 5	JU2-H181K-20	16 - 14	JU2-H272L-20	16 - 17	J0B-K8111-00	12 - 1
J0A-F2501-00	2 - 1		6 - 48	JW8-F7416-00	6 - 8	JU2-H181L-20	16 - 9	JU2-H2917-00	18 - 8	J0B-K8111-10	12 - 1
JW9-F252M-00	2 - 4	JW9-F4648-20	6 - 50	JW8-F7426-01	6 - 17	JU2-H1824-20	16 - 22	JU2-H332D-20	16 - 20	J0B-K8111-20	12 - 1
JW9-F2535-00	2 - 7	JW1-F467K-00	4 - 23	JW8-F7434-00	6 - 39	JU2-H1828-20	16 - 13	JR1-H3383-02	18 - 23	J0B-K8111-30	12 - 1
J0B-F255G-00	2 - 2	JW1-F5100-01	9 - 1	JW8-F7435-00	6 - 56	JW9-H1829-00	16 - 28	JN6-H3386-01	18 - 24	J0B-K8111-40	12 - 1
J0B-F258E-00	2 - 11	JW8-F5103-00	3 - 21	JW8-F7438-00	6 - 38	JU2-H182A-20	16 - 30	JW2-H351B-00	18 - 45	J0B-K8111-50	12 - 1
J0B-F2873-01	12 - 15	JW8-F5118-00	8 - 38	JW9-F7445-31	6 - 33	JU2-H182G-20	16 - 7	JU2-H5722-20	16 - 18	J0B-K8111-60	12 - 1
J0B-F2874-01	12 - 16	JN6-F5118-01	3 - 29	JW8-F7814-21	6 - 3	JU2-H182H-20	16 - 24	JW9-H5885-00	6 - 52	J0B-K8111-A0	12 - 1
JW7-F312H-00	5 - 4	JW8-F5415-00	6 - 25		6 - 43	JU2-H182K-20	16 - 23	JU2-H6171-20	18 - 11	J0B-K8111-B0	12 - 1
JW1-F3183-00	4 - 12	JW9-F5666-00	6 - 12	JW8-F7825-01	6 - 27	JU2-H1835-20	16 - 32	JW9-H6172-00	18 - 12	J0B-K8112-00	12 - 4
JW8-F3183-00	6 - 16	JW9-F5671-00	6 - 5	JW9-F7850-31	6 - 1	JU2-H183J-20	16 - 12	JW9-H6181-00	18 - 25	J0B-K8112-10	12 - 4
JOC-F3350-00	3 - 14	JW9-F5672-00	6 - 4	JW9-F7853-00	6 - 35	JU2-H1840-20	16 - 5	JW2-H6510-20	17 - 1	J0B-K8112-20	12 - 4
JOC-F3390-00	3 - 19	JW9-F5673-00	6 - 45	JW9-F7871-10	6 - 36	JU2-H1843-20	16 - 8	JW2-H6527-00	18 - 30	J0B-K8112-30	12 - 4
JW1-F3394-00	18 - 26	JW8-F5681-10	5 - 5	JW9-F7872-20	6 - 37	JU2-H1850-23	16 - 2	JU2-H7196-20	18 - 13	J0B-K8112-40	12 - 4

NUMERICAL INDEX

PART NO.	REF. NO.	PART NO.	REF. NO.	PART NO.	REF. NO.	PART NO.	REF. NO.	PART NO.	REF. NO.	PART NO.	REF. NO.
J0B-K8112-50	12 - 4	J0C-K8298-10	12 - 18	90105-10373	3 - 6	90381-17800	3 - 10	95602-12200	4 - 9		
J0B-K8112-60	12 - 4	J0B-K8312-00	21 - 3	90105-10840	8 - 2	90381-18801	3 - 2	95602-14100	3 - 28		
J0B-K8112-A0	12 - 4	JW1-K8313-01	21 - 5	90105-10840	4 - 28	90386-12800	6 - 26	95612-12100	3 - 18		
J0B-K8112-B0	12 - 4	JW1-K8314-10	21 - 11	90105-13800	1 - 3	90387-046N7	4 - 37	95812-08016	10 - 3		
J0B-K8114-00	11 - 6	JW1-K8314-20	21 - 11	90109-08002	14 - 2	90387-12016	3 - 15	95812-08020	4 - 2		
J0C-K8114-00	11 - 6	J0B-K832F-00	11 - 22	90110-06125	15 - 9	90387-241M7	3 - 25		6 - 57		
J0B-K8115-00	11 - 1	J0B-K832F-10	11 - 22	90111-05805	11 - 12	90461-14108	18 - 35	95812-08040	2 - 3		
J0B-K8115-10	11 - 1	J0B-K832G-00	11 - 23	90114-12806	3 - 22	90464-14134	18 - 39	95812-08050	10 - 4		
J0B-K8115-20	11 - 1	J0B-K832G-10	11 - 23	90119-06808	15 - 11	90464-20005	18 - 31	95812-10055	1 - 15		
J0B-K8115-30	11 - 1	JW1-K8340-00	14 - 3	90119-10044	1 - 5	90464-25826	18 - 14	95812-12065	1 - 7		
J0B-K8115-40	11 - 1	JW1-K834G-00	14 - 9	90159-06845	14 - 13	90464-40825	18 - 29	95812-12080	3 - 17		
J0B-K8115-50	11 - 1	JN6-K8355-20	14 - 8	90170-08841	8 - 24	90464-76800	2 - 18	95822-06012	10 - 6		
J0B-K8115-60	11 - 1	JF2-K8356-00	14 - 7	90170-10840	8 - 17	90468-20196	5 - 3	95822-06016	17 - 4		
J0B-K8115-A0	11 - 1	JW8-K8357-00	4 - 32	90176-06008	14 - 6	90502-10013	4 - 36	97012-08030	4 - 30		
J0B-K8115-B0	11 - 1	JN6-K8358-01	4 - 33	90179-05807	18 - 19	90506-14001	7 - 8	97012-10020	1 - 11		
JW9-K811K-00	18 - 4	J0B-K835E-00	11 - 11	90179-08822	5 - 7		7 - 19	9708R-06020	14 - 10		
J0C-K8141-00	12 - 10	J0B-K8361-00	15 - 4	90179-08824	18 - 20	90506-20281	7 - 7	97602-05225	18 - 28		
J0C-K8141-10	12 - 10	J0B-K8362-00	15 - 6	90179-12262	9 - 2		7 - 18	97702-40525	4 - 34		
J0C-K8141-20	12 - 10	JN6-K8380-00	14 - 12	90179-13800	1 - 4	91490-25015	5 - 12	99001-09600	5 - 10		
J0C-K8141-30	12 - 10	J0B-K8388-00	21 - 6	90183-05008	11 - 13	91490-30030	8 - 27				
J0C-K8141-40	12 - 10	JU0-K8388-00	21 - 7	90185-06836	14 - 11	91702-08018	5 - 11				
J0C-K8141-50	12 - 10		21 - 13	90185-12008	4 - 7	91702-10026	5 - 2				
J0C-K8141-60	12 - 10	JW1-K8388-00	21 - 4	90201-04810	4 - 35	92017-06040	14 - 4				
J0C-K8141-A0	12 - 10	JU0-K8398-00	21 - 9	90201-05824	6 - 55	92902-08600	4 - 31				
J0C-K8141-B0	12 - 10		21 - 15	90201-068E2	16 - 27	92902-10100	1 - 12				
J0B-K8164-00	10 - 2	J0A-K8401-00	15 - 3	90201-08310	18 - 3	92902-10600	1 - 13				
J0B-K816M-00	2 - 14	JW1-K8402-10	15 - 10	90201-121H8	7 - 12	92902-12200	4 - 8				
J0B-K817H-00	12 - 20	J0B-K8423-00	14 - 1		7 - 23	9299R-06200	14 - 14				
J0B-K817H-10	12 - 20	J0B-K8426-01	15 - 8	90201-121H9	7 - 11	93101-24822	8 - 28				
J0B-K817J-00	12 - 21	JW1-K8427-00	15 - 2		7 - 22	93102-30083	3 - 26				
J0B-K817J-10	12 - 21	J0B-K84A0-00	21 - 1	90201-128S4	1 - 9	93210-148B9	8 - 12				
J0B-K818A-00	13 - 2	J0B-K84A0-10	21 - 1	90208-14801	3 - 27	93210-478B8	8 - 5				
J0B-K818B-00	13 - 5	J0B-K84A2-00	21 - 2	90215-06811	16 - 26	93306-00440	8 - 30				
J0B-K8191-00	13 - 8	JN9-W2536-00	7 - 3	90249-14129	5 - 9	93306-005Y1	8 - 6				
J0B-K8192-00	13 - 10		7 - 14	90269-06804	11 - 5	93306-005Y3	3 - 24				
J0B-K819H-00	12 - 7	90101-069U0	16 - 25		13 - 4	93306-007Y0	8 - 14				
JW1-K8214-00	21 - 12	90101-08855	8 - 23		13 - 7	93306-203X1	8 - 7				
J0B-K8233-00	11 - 15	90101-08856	8 - 21		13 - 9	93306-204X0	3 - 23				
J0B-K8237-01	12 - 12	90101-10854	8 - 16		13 - 11	93306-303Y6	8 - 10				
J0B-K8243-00	11 - 18	90105-06831	2 - 15	90269-07803	11 - 7	93420-44805	8 - 29				
J0B-K8244-00	11 - 20		11 - 4		11 - 19	93420-50804	8 - 4				
J0B-K8271-00	13 - 1		18 - 22		11 - 21	95302-08700	10 - 5				
J0B-K8273-00	11 - 17	90105-08867	2 - 12		12 - 3	95307-08700	5 - 8				
J0C-K827A-00	12 - 17		18 - 36		12 - 6	95602-06200	17 - 5				
J0B-K8282-00	11 - 9	90105-088B6	2 - 16		12 - 11	95602-10200	1 - 16				
JW9-K8297-01	12 - 19	90105-10219	3 - 8	90269-09003	11 - 16		3 - 7				
JW9-K8297-11	12 - 19	90105-10267	3 - 13		13 - 3		10 - 8				
J0C-K8298-00	12 - 18		3 - 20		13 - 6	95602-12200	1 - 8				