



# PARTS CATALOGUE

## YDREX6T (J1A1) OTHERS

---



1RJ1A-400E1

( )

YDREX6T  
PARTS CATALOGUE  
©2015 by Yamaha Motor Co., Ltd.  
1st edition, November 2015  
All rights reserved.  
Any reprinting or unauthorized use  
without the written permission of  
Yamaha Motor Co., Ltd.  
is expressly prohibited.  
Printed in Japan.

# FOREWORD

This Parts Catalogue is related to the parts for the model(s) on the cover page. When you are ordering replacement parts, please refer to this Parts Catalogue and quote both part numbers and part names correctly.

1. Modifications or additions which have been made after the issue of the Parts Catalogue will be announced in the Parts News.

It is advisable that you make the necessary corrections to the Parts Catalogue according to the Parts News.

2. Abbreviations

The following abbreviations are used in this Parts Catalogue.

“UR” Use specified parts number.

“UN” Use as many as needed.

“AP” Alternate Parts

“LM” Locally Made (Parts need to be ordered locally)

“F#” Frame No. (Applicable machine No.)

“O/S” Over Size

3. The number of components for assembly

- Parts, which are to be supplied in an assembly, are listed with a dot (.) in front of the part name as shown below.
- The numeral appearing to the right of each component part indicates the quantity of parts for each assembly unit.

PART NO.	DESCRIPTION	Q'TY	REMARKS
2F5-83310-60	FRONT FLASHER LIGHT ASSY	2	
115-83311-60	.BULB (6V-18W)	1	

4. Applicable colours of graphics are represented in the “REMARKS” as shown below.

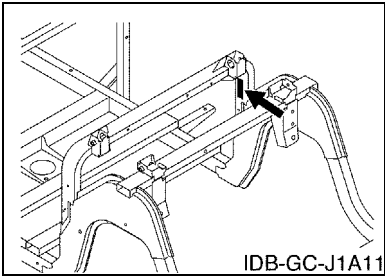
PART NO.	DESCRIPTION	Q'TY	REMARKS
2N4-24110-00-X5	FUEL TANK COMP.	2	MXR
3J1-24240-10	.GRAPHIC, FUEL TANK	1	FOR MXR

5. Note that the illustrations for reference in finding parts numbers are not to be used for assembling. When assembling, please use the applicable service manual.

6. The asterisk (\*) before a reference number indicates modified items after the first edition.

# FOREWORD

7. Applicable Serial No.  
 Frame Serial No.



10. Applicable Starting Serial No.  
 Frame Serial No.

Serial No.	Name Of Q'ty Column	Model Code
J1A-101001	J1A1	J1A1

8. Applicable Colour Code (The (\*) mark shows Model colour.)

Abbreviation	Colour Name	Colour Code
DNGM3(*)	DARK GRAYISH GREEN METALLIC 3	0712
DPBMU(*)	DARK PURPLISH BLUE METALLIC U	0996
DRMK(*)	DEEP RED METALLIC K	0918
LYNM9(*)	LIGHT YELLOWISH GRAY ME 9	0752
SM1(*)	SILVER METALLIC 1	0660
WS7(*)	WHITE SOLID 7	1045

9. Quantity Column Information

Column No.	Name Of Q'ty Column	Destination
1	J1A1	OTHERS

# CONTENTS

## BODY

REAR ARM & SUSPENSION .....	1
FRAME .....	2
FRONT SUSPENSION .....	3
STEERING .....	5
PEDAL WIRE .....	7
PEDAL ASSEMBLY .....	8
BRAKE .....	11

## DRIVE

TRANSAXLE .....	12
WHEEL .....	14

## R/G

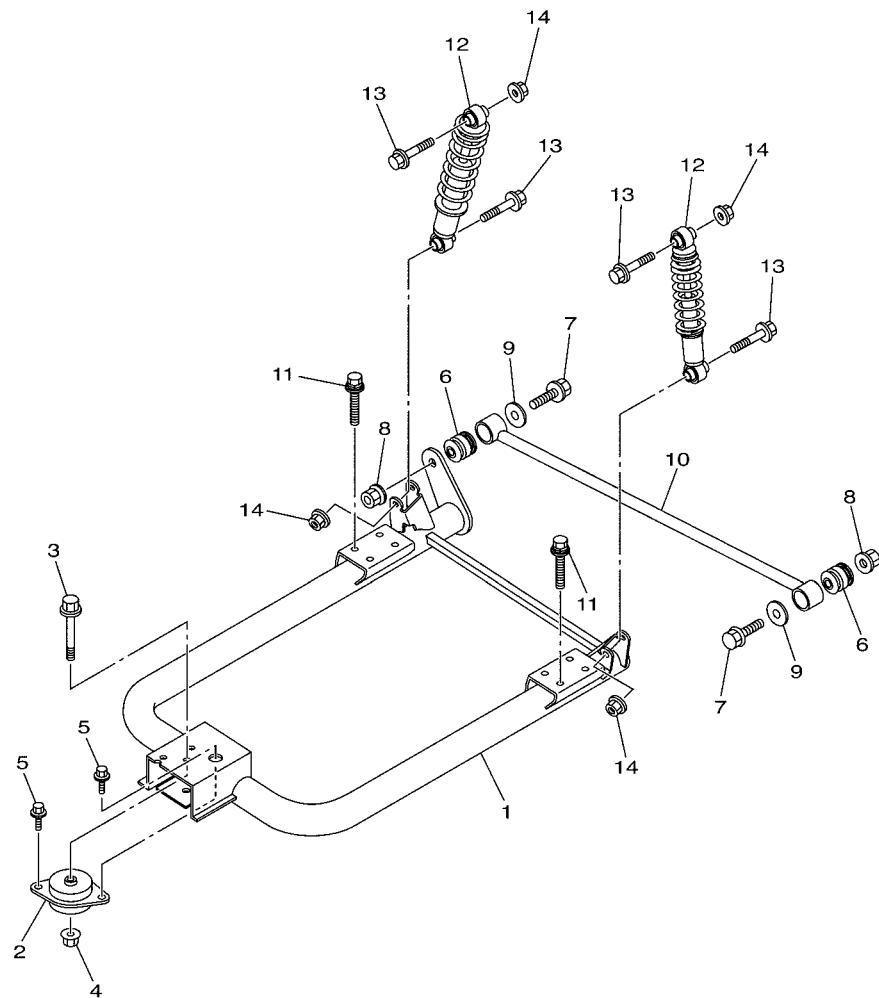
WINDSHIELD .....	15
BUMPER .....	16
BODY .....	17
BODY 2 .....	19
BODY FITTING .....	20
SUN ROOF .....	21
CARRIER .....	22
SEAT .....	23

## ELECTRICAL

ELECTRIC MOTOR .....	24
CONTROLLER 1 .....	26
ELECTRICAL 1 .....	27
BATTERY CHARGER .....	29

## INDEX

NUMERICAL INDEX .....	30
-----------------------	----



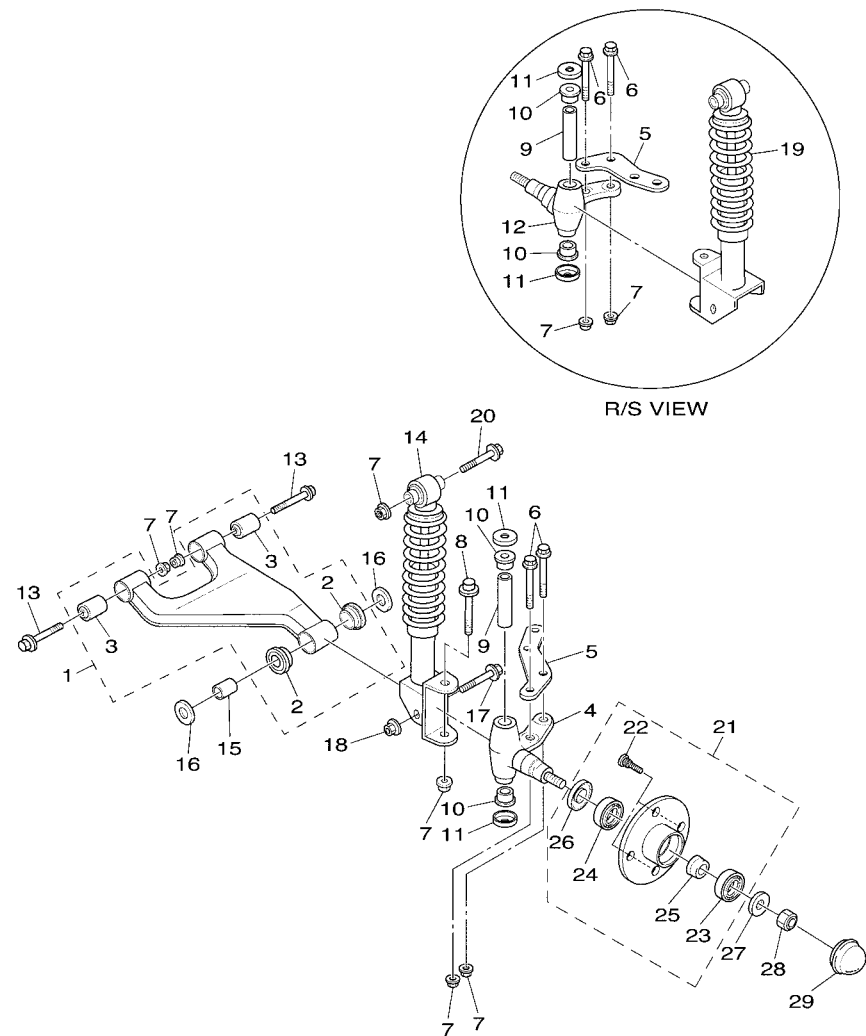
J1A1400-R010

FIG. 1 REAR ARM & SUSPENSION

REF. NO.	PART NO.	DESCRIPTION	JTA1				REMARKS
1	J1A-F2110-00	REAR ARM COMP.	1				
2	JX4-22123-00	BUSH 1	1				
3	90105-12031	BOLT, FLANGE	1				
4	95602-12200	NUT, SELF-LOCKING	1				
5	95812-10016	BOLT, FLANGE	2				
6	JN6-F2124-10	BUSH 2	2				
7	95812-12065	BOLT, FLANGE	2				
8	95602-12200	NUT, SELF-LOCKING	2				
9	90201-12426	WASHER, PLATE	2				
10	J1A-F217G-00	ROD, CONNECTING 2	1				
11	97512-10620	BOLT, WITH WASHER	8				
12	JW2-F2210-10	SHOCK ABSORBER ASSY, REAR	2				
13	95812-10055	BOLT, FLANGE	4				
14	95602-10200	NUT, U FLANGE	4				



**FIG. 3 FRONT SUSPENSION**



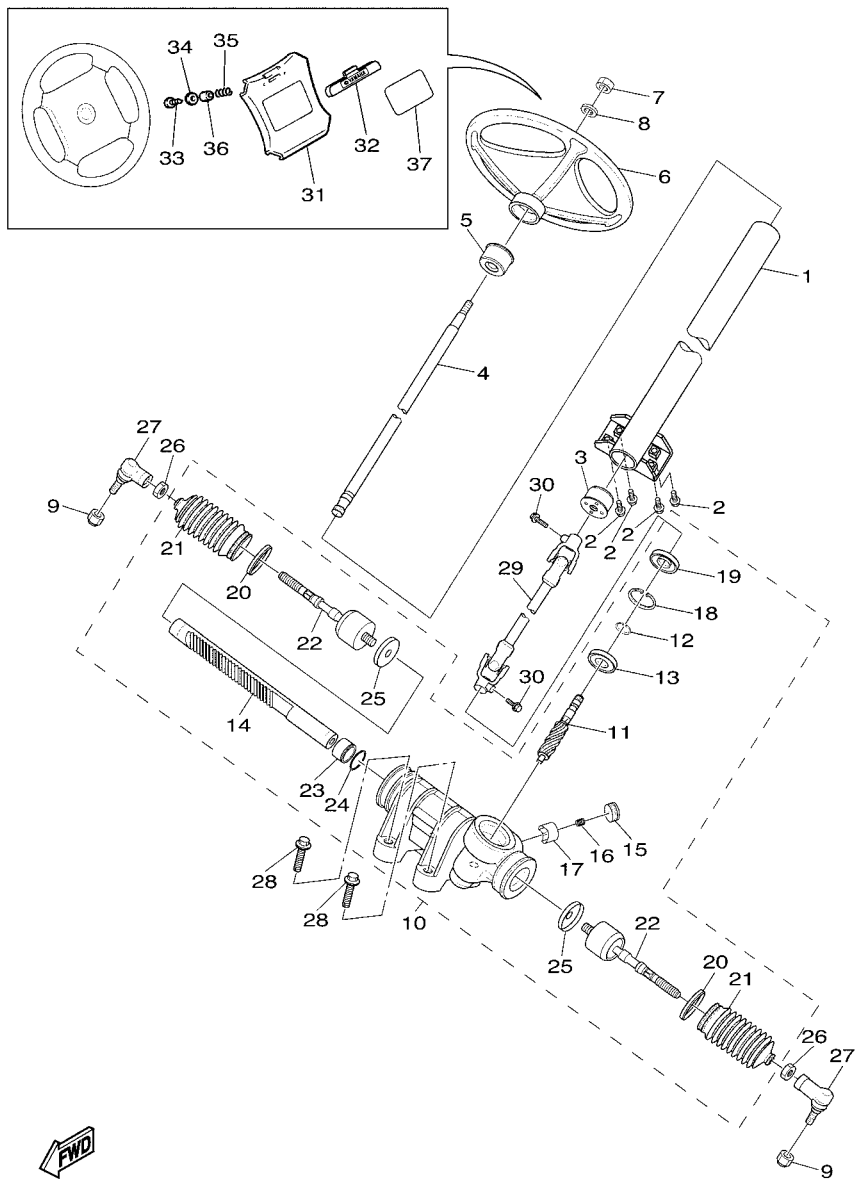
J1A1400-R030

REF. NO.	PART NO.	DESCRIPTION	J1A1				REMARKS
1	JU0-F3570-20	FRONT LOWER ARM COMP.	2				
2	90381-18001	.BUSH, SOLID	2				
3	2HR-23526-00	.BUSH	2				
4	JU0-F3511-10	KNUCKLE, STEERING 1	1				
5	JW1-F3512-00	ARM, KNUCKLE 1	2				
6	90105-10373	BOLT, FLANGE	4				
7	95602-10200	NUT, U FLANGE	12				
8	90105-10219	BOLT, FLANGE	2				
9	2NL-23448-00	SPACER	2				
10	90381-17067	BUSH, SOLID	4				
11	2NL-23517-00	COVER, THRUST 1	4				
12	JU0-F3521-10	KNUCKLE, STEERING 2	1				
13	90105-10267	BOLT, FLANGE	4				
14	JW2-F3350-00	SHOCK ABSORBER ASSY	1				
15	90387-12016	COLLAR	2				
16	J1A-F2128-00	COVER, THRUST 1	4				
17	95812-12080	BOLT, FLANGE	2				
18	95612-12100	NUT, U	2				
19	JW2-F3390-00	SHOCK ABSORBER ASSY 2	1				
20	90105-10267	BOLT, FLANGE	2				
21	JC1-F5103-00	HUB BEARING UNIT ASSY	2				
22	90114-12004	.BOLT, SERRATION	4				
23	93306-20437	.BEARING	1				
24	93306-005Y3	.BEARING	1				
25	90387-241M7	.COLLAR	1				
26	93102-30803	.OIL SEAL	1				
27	90209-32271	WASHER	2				





FIG. 4 STEERING

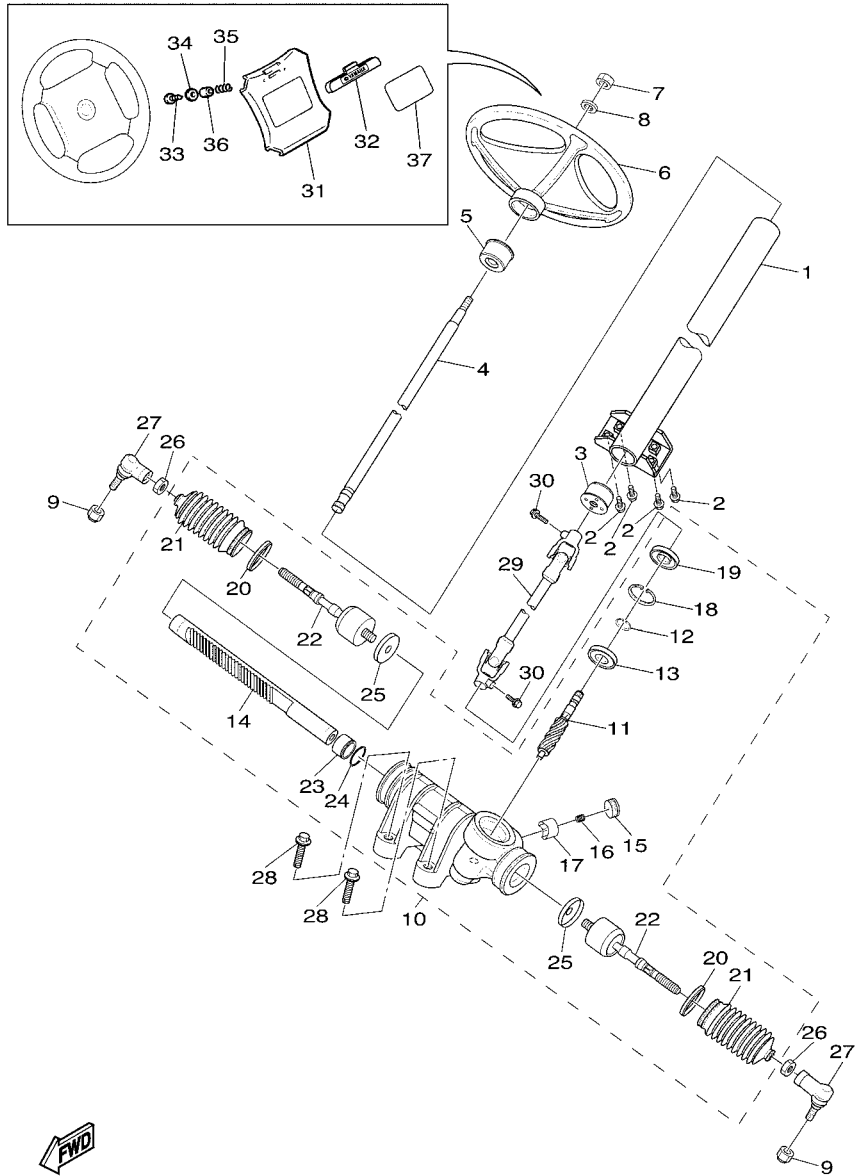


FWD

J1A1400-R040

REF. NO.	PART NO.	DESCRIPTION	J1A1				REMARKS
1	JW1-F3811-03	COLUMN, STEERING	1				
2	95812-08020	BOLT, FLANGE	4				
3	JU0-F3857-11	HOLDER	1				
4	JU0-F3828-10	ROD, STEERING	1				
5	JU0-F3857-11	HOLDER	1				
6	JN3-F3838-00	WHEEL, STEERING	1				
7	90185-12008	NUT, SELF-LOCKING	1				
8	92902-12200	WASHER	1				
9	95602-12200	NUT, SELF-LOCKING	2				
10	J1A-23400-00	STEERING ASSY	1				
11	J1A-2387A-00	.GEAR,PINION	1				
12	JX4-2384N-00	.CLIP, RING	1				
13	JX4-23812-00	.BEARING, STEERING	1				
14	J1A-2387E-00	.GEAR, RACK	1				
15	JR7-2387G-00	.COVER, ADJUST	1				
16	JR7-2387K-00	.SPRING, PRESSURE	1				
17	JR7-2387F-00	.PAD, PRESSURE	1				
18	JR7-2387J-00	.RING, STOPPER	1				
19	JR7-23844-00	.SEAL	1				
20	J1A-23489-00	.BAND	2				
21	J1A-23527-00	.SEAL, DUST 1	2				
22	J1A-23837-00	.ROD, TIE 2	2				
23	JR7-2467K-00	.BUSH CAP	1				
24	JR7-23866-00	.RING, SNAP	1				
25	JR7-23894-00	.WASHER, LOCK 1	2				
26	1P0-F3833-00	NUT 1	2				
27	J1A-F3841-00	JOINT, UNIVERSAL 1	2				

**FIG. 4 STEERING**

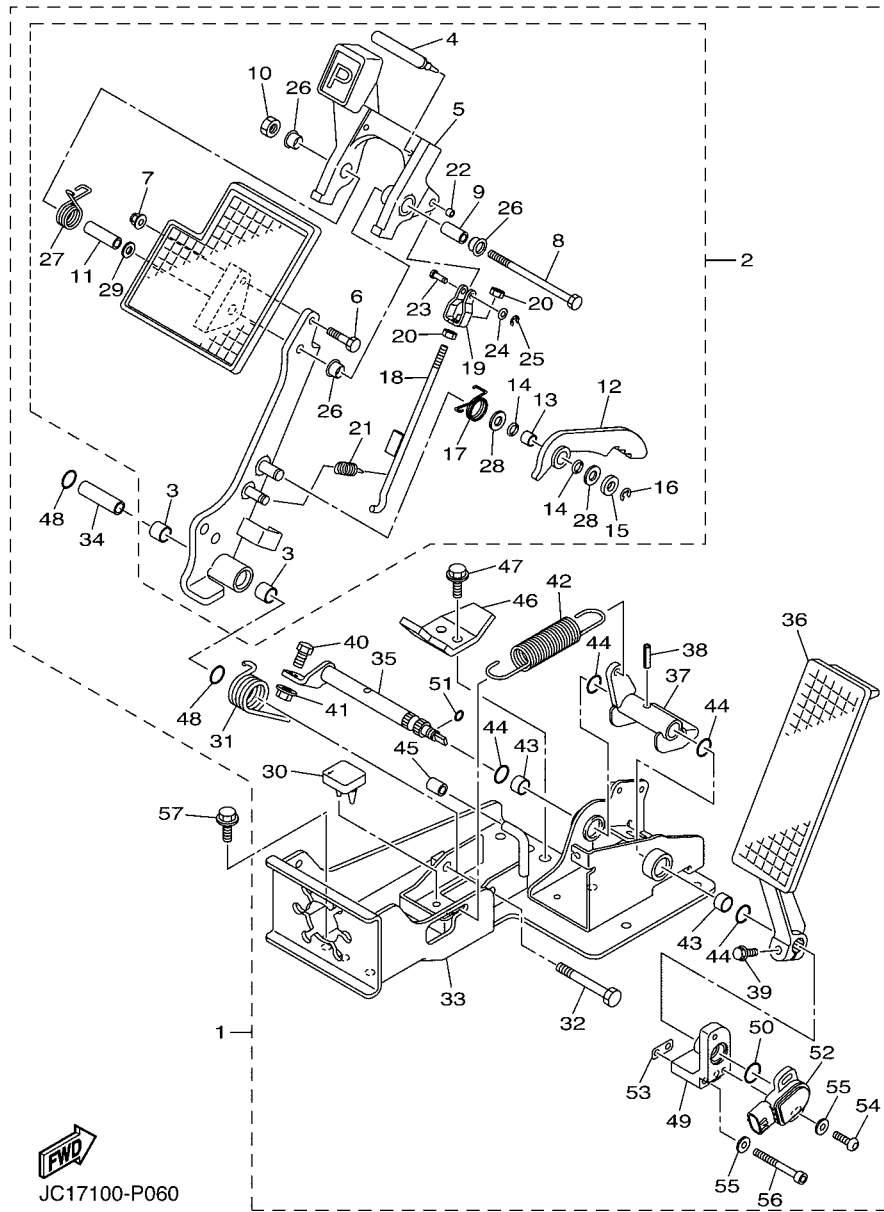


J1A1400-R040

REF. NO.	PART NO.	DESCRIPTION	JTAI				REMARKS
28	95812-10040	BOLT, FLANGE	4				
29	J1A-23822-00	JOINT 1	1				
30	97512-08530	BOLT, WITH WASHER	2				
31	JW8-K8357-00	HOLDER 1	1				
32	JN6-K8358-01	HOLDER 2	1				
33	97702-40525	SCREW, TAPPING	2				
34	90201-044H9	WASHER, PLATE	2				
35	90502-10013	SPRING, CONICAL	2				
36	90387-046N7	COLLAR	2				
37	JW8-K7762-00	LABEL, WARNING 2	1				



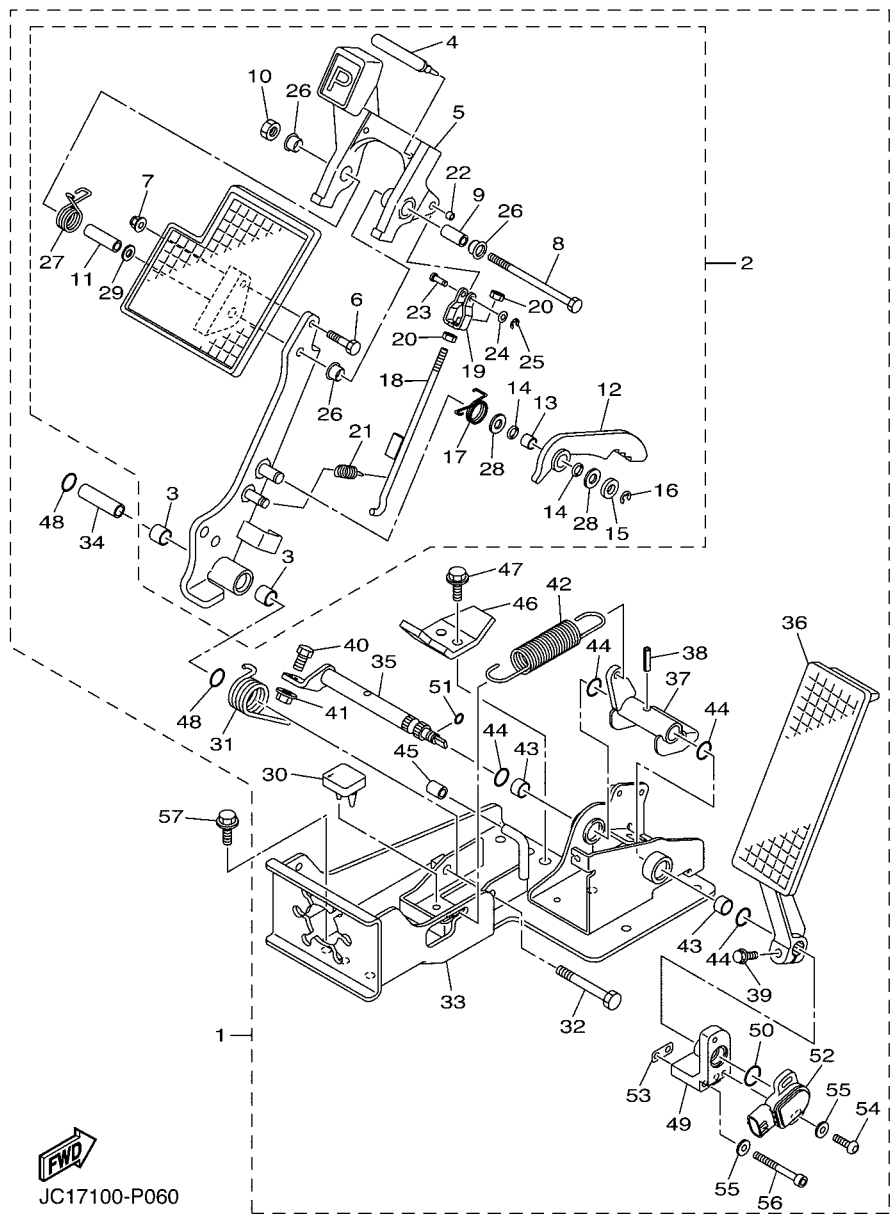
FIG. 6 PEDAL ASSEMBLY



JC17100-P060

REF. NO.	PART NO.	DESCRIPTION	JTA1				REMARKS
1	JW9-F7850-31	PEDAL ASSY (L.H)	1				
2	JW9-F7200-21	.PEDAL, BRAKE	1				
3	JW8-F7814-21	..BUSH, PEDAL	2				
4	JW9-F5672-00	..PAD, PARKING PEDAL	1				
5	JW9-F5671-00	..PEDAL, PARKING BRAKE	1				
6	JW8-F7117-00	..BOLT, MAIN STAND	1				
7	JW8-F8363-00	..NUT	1				
8	JW8-F7416-00	..BOLT, FOOTREST	1				
9	JW8-F639N-00	..COLLAR	1				
10	JW8-F7218-00	..NUT	1				
11	JW8-F7113-00	..COLLAR, MAIN STAND	1				
12	JW9-F5666-00	..SECTOR, PARKING BRAKE	1				
13	JW8-F7121-00	..BUSH	1				
14	JW9-F7221-00	..SEAL, SHAFT	2				
15	JW8-F7322-00	..WASHER	1				
16	JW8-F3183-00	..CIRCLIP	1				
17	JW8-F7426-01	..SPRING, RETURN	1				
18	JW9-F7231-10	..ROD, BRAKE	1				
19	JW9-F7232-00	..END, ROD 2	1				
20	JW8-F7318-00	..NUT	2				
21	JW8-F6314-00	..SPRING	1				
22	JW8-F639L-00	..BUSH 1	1				
23	JW9-F7228-00	..PIN, JOINT	1				
24	JW8-F8323-00	..WASHER, LEG SHIELD	1				
25	JW8-F5415-00	..CIRCLIP	1				
26	90386-12800	..BUSH	3				
27	JW8-F7825-01	..SPRING, RETURN	1				

FIG. 6 PEDAL ASSEMBLY

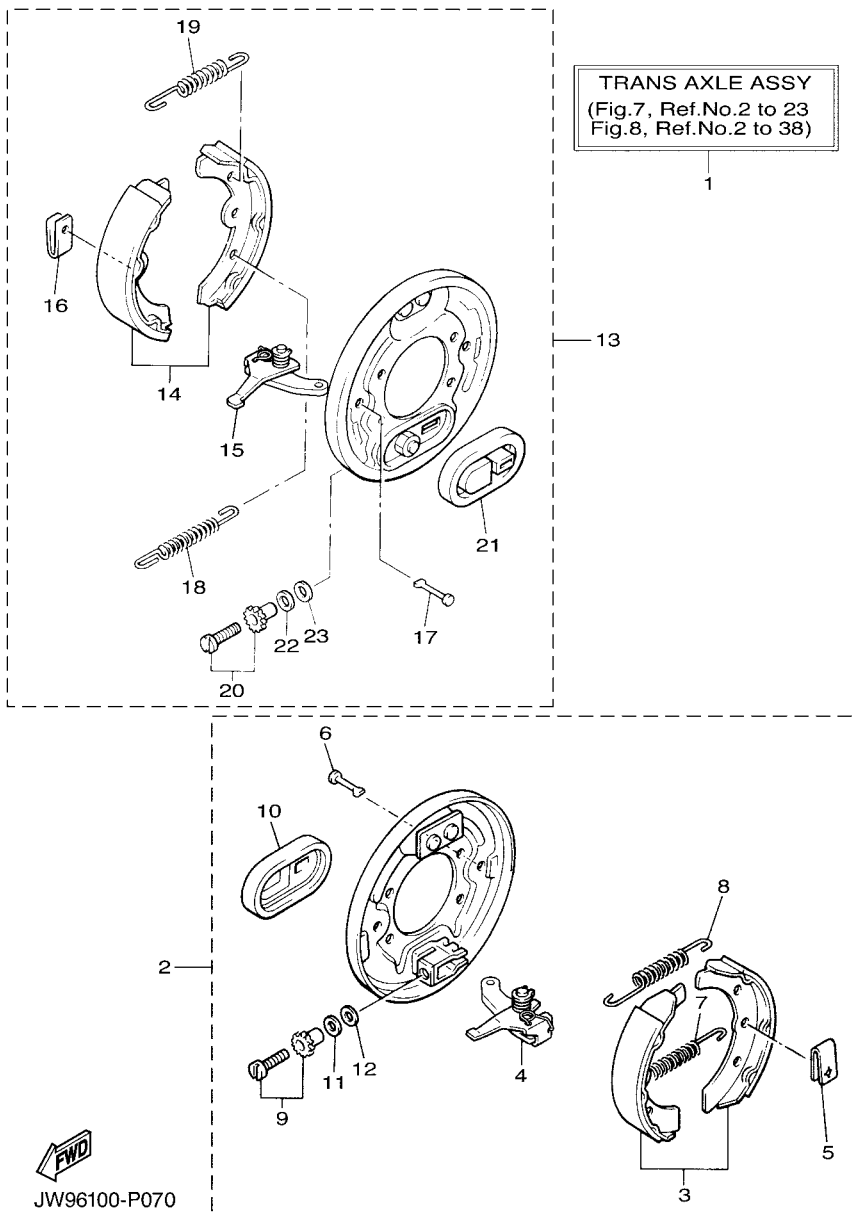


JC17100-P060

REF. NO.	PART NO.	DESCRIPTION	JTA1				REMARKS
28	JW8-F7119-00	..WASHER	2				
29	JW8-F8319-00	..WASHER	1				
30	JW9-F7245-10	.PAD, BRAKE PEDAL	1				
31	JW8-F7316-01	.SPRING, SIDE STAND	1				
32	JW8-F7217-00	.BOLT	1				
33	JW9-F7445-31	.PLATE 1	1				
34	JW8-F7213-20	.COLLAR	1				
35	JW9-F7853-00	.SHAFT, PEDAL 1	1				
36	JW9-F7871-10	.PEDAL, ACCELERATOR	1				
37	JW9-F7872-20	.ARM, ACCELERATOR PEDAL	1				
38	JW8-F7438-00	.PIN, CLEVIS	1				
39	JW8-F7434-00	.BOLT	1				
40	JW8-F7317-00	.BOLT	1				
41	JW8-F7118-00	.NUT	1				
42	JW8-F815H-01	.SPRING	1				
43	JW8-F7814-21	.BUSH, PEDAL	2				
44	JW8-F4486-00	.O-RING	4				
45	JW9-F5673-00	.DAMPER, BRAKE	1				
46	JW9-F7246-20	.NAIL, BRAKE	1				
47	JW8-F8331-00	.BOLT, LEG SHIELD	2				
48	JW8-F4486-00	.O-RING	2				
49	JW9-F7263-00	.BRACKET 1	1				
50	JW9-F4648-20	.O-RING	1				
51	JW8-F41B8-00	.O-RING	1				
52	JW9-H5885-00	.THROTTLE SENSOR ASSY	1				
53	JW9-F5827-00	.SHIM, CALIPER	1				UR
	JW9-F5827-10	.SHIM, CALIPER	1				UR



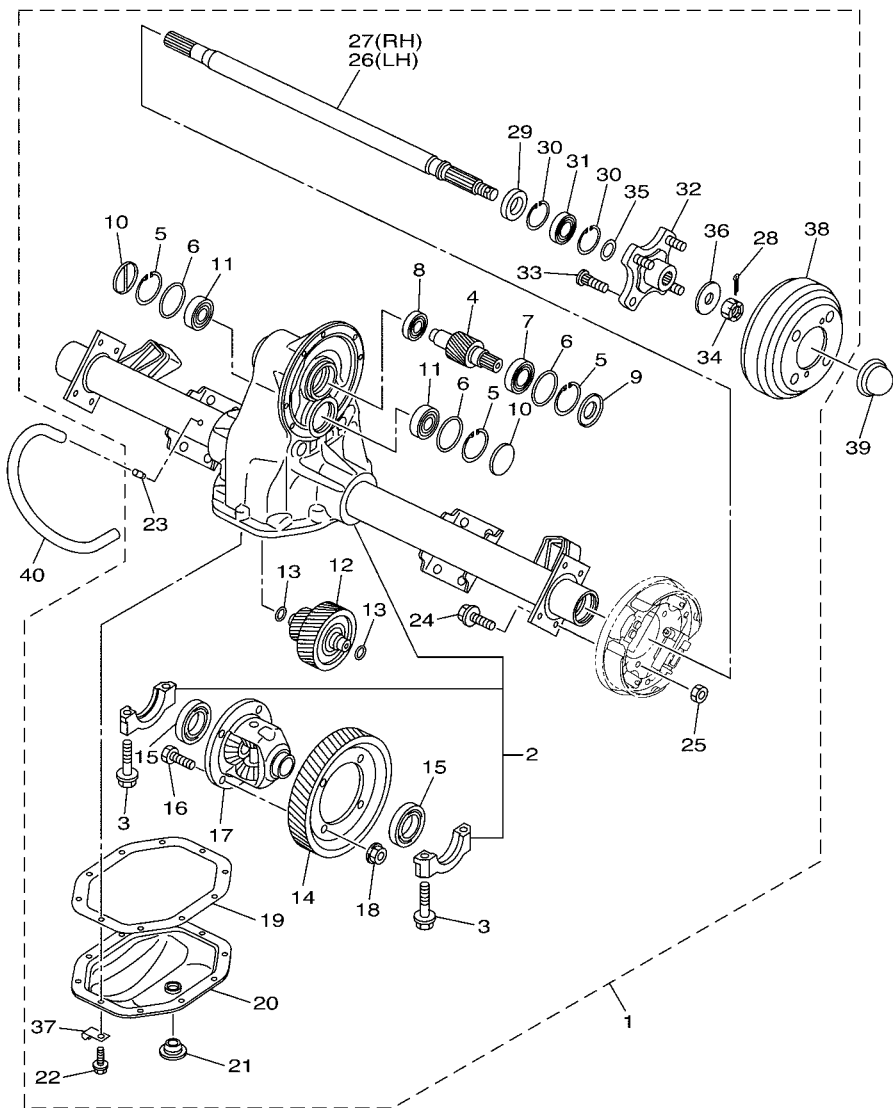
**FIG. 7 BRAKE**



REF. NO.	PART NO.	DESCRIPTION	JTA1				REMARKS
1	JW9-G6300-10	TRANS AXLE ASSY	1				
2	JW8-F7290-00	..BACKING PLATE ASSY 2	1				
3	JN9-W2536-00	..BRAKE SHOE SET	1				
4	J38-27205-00	..LEVER ASSY 2	1				
5	JW8-F7281-00	..SPRING, SHOE CLAMP	2				
6	J10-27282-00	..PIN, SHOE HOLD DOWN	2				
7	90506-20281	..SPRING, TENSION	1				
8	90506-14001	..SPRING, TENSION	1				
9	J55-27260-00	..ADJUSTER ASSY	1				
10	JW8-F7286-00	..COVER, DUST	1				
11	90201-121H9	..WASHER, PLATE	1				
12	90201-121H8	..WASHER, PLATE	1				
13	JW8-F7280-00	..BACKING PLATE ASSY 1	1				
14	JN9-W2536-00	..BRAKE SHOE SET	1				
15	J38-27204-00	..LEVER ASSY 1	1				
16	JW8-F7281-00	..SPRING, SHOE CLAMP	2				
17	J10-27282-00	..PIN, SHOE HOLD DOWN	2				
18	90506-20281	..SPRING, TENSION	1				
19	90506-14001	..SPRING, TENSION	1				
20	J55-27270-00	..ADJUSTER ASSY	1				
21	JW8-F7286-00	..COVER, DUST	1				
22	90201-121H9	..WASHER, PLATE	1				
23	90201-121H8	..WASHER, PLATE	1				



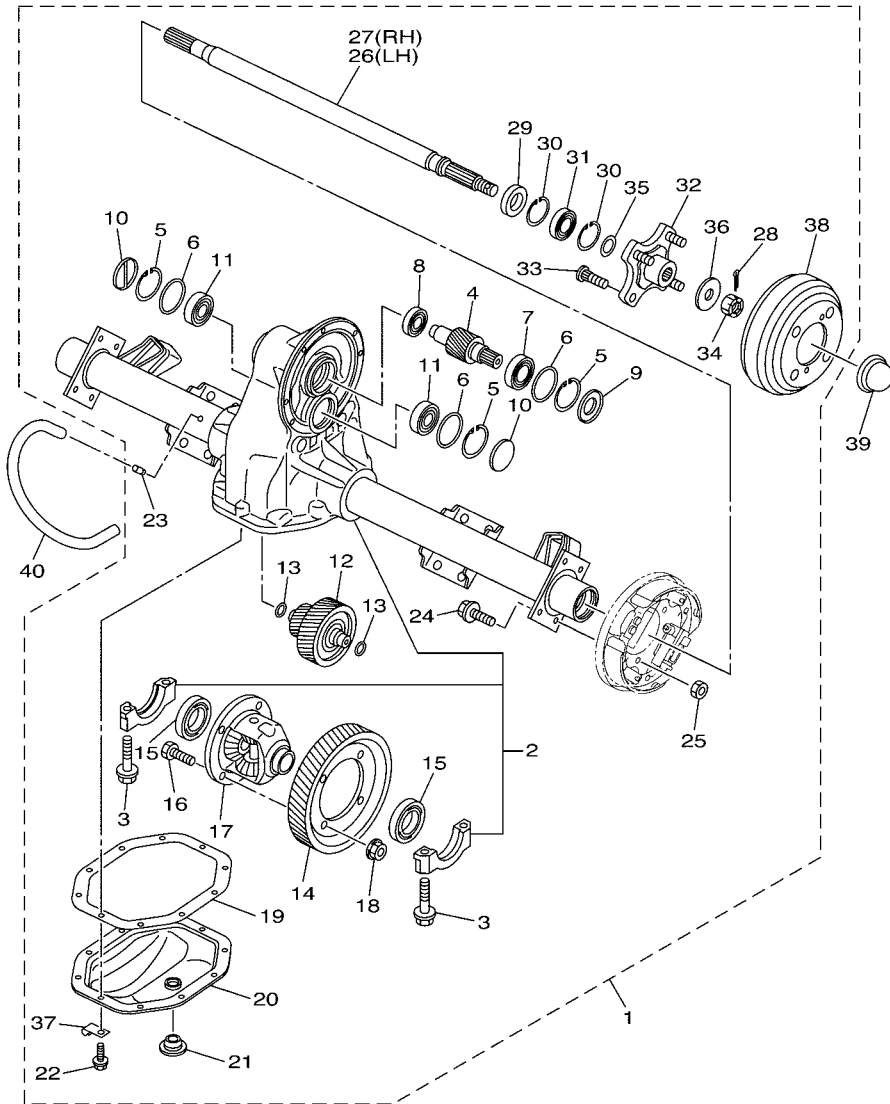
FIG. 8 TRANSAXLE



JV37010-P080

REF. NO.	PART NO.	DESCRIPTION	JTA1				REMARKS
1	JW9-G6300-10	TRANS AXLE ASSY	1				
2	JW9-G6290-10	.CASE ASSY	1				
3	90105-10840	.BOLT, FLANGE	4				
4	JW9-G6321-00	.SHAFT, INPUT	1				
5	93420-50804	.CIRCLIP	3				
6	93210-478B8	.O-RING	3				
7	93306-005Y1	.BEARING	1				
8	93306-203X1	.BEARING	1				
9	JW9-G6136-00	.SEAL 1	1				
10	JH7-G3396-01	.PLUG, BLIND	2				
11	93306-303Y6	.BEARING	2				
12	JW9-G6350-00	.COUNTER GEAR ASSY	1				
13	93210-148B9	.O-RING	2				
14	JW9-G6421-00	.GEAR, RING	1				
15	93306-007Y0	.BEARING	2				
16	90101-10854	.BOLT	4				
17	JW9-G6410-00	.DIFFERENTIAL ASSY.	1				
18	90170-10840	.NUT	4				
19	JW9-G631A-00	.GSKT., CASE	1				
20	JW9-G6312-00	.CASE, TRANSMISSION 2	1				
21	JN3-G6432-00	.STOPPER	1				
22	90101-08856	.BOLT	10				
23	JW8-G5378-00	.NIPPLE, HOSE	1				
24	90101-08855	.BOLT	8				
25	90170-08841	.NUT	8				
26	JR1-G6511-00	.SHAFT, REAR AXLE 1 (L.H)	1				
27	JR1-G6512-00	.SHAFT, REAR AXLE 2 (R.H)	1				

FIG. 8 TRANSAXLE

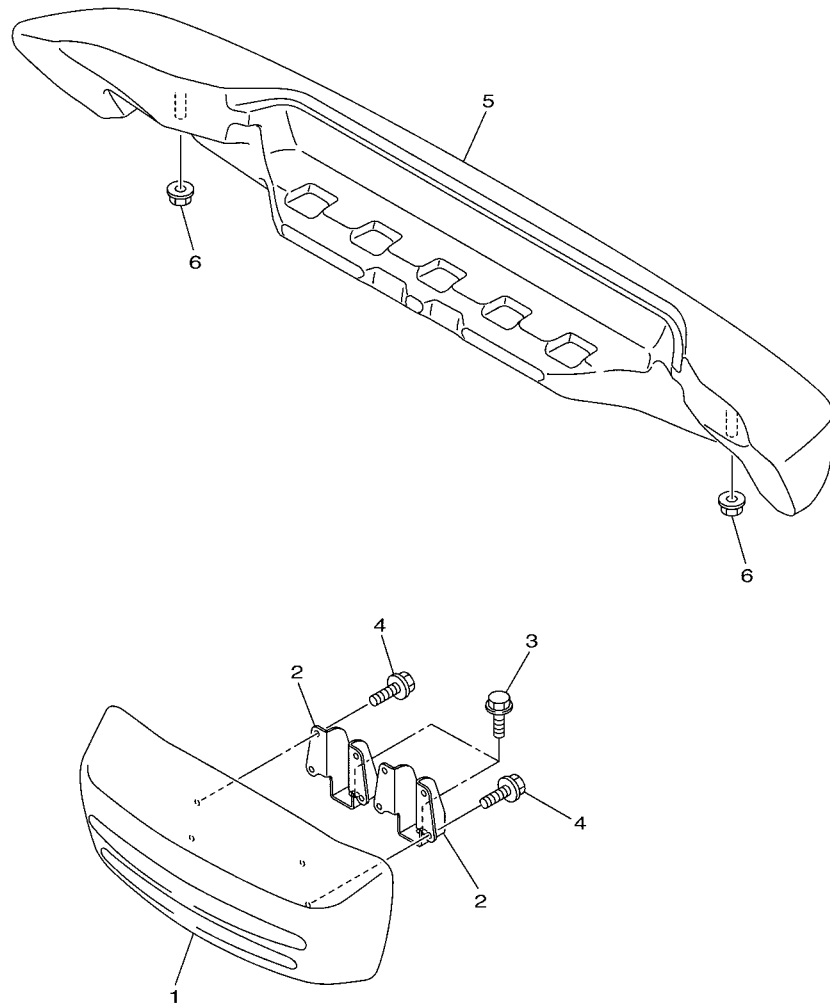


JV37010-P080

REF. NO.	PART NO.	DESCRIPTION	JTA1				REMARKS
28	91490-30030	.PIN. COTTER	2				
29	93101-24822	.OIL SEAL	2				
30	93420-44805	.CIRCLIP	4				
31	93306-00440	.BEARING	2				
32	JW8-G6514-00	.HUB, REAR AXLE	2				
33	JW8-G4178-00	.BOLT, STUD	8				
34	JW8-G5244-00	.NUT	2				
35	JW8-G2535-00	.WASHER, THRUST	2				
36	JW8-G2536-00	.WASHER, THRUST 2	2				
37	JW8-G2756-00	.STAY, CLAMP	1				
38	JW8-G6521-00	.DRUM	2				
39	JW8-F5118-00	COVER, HUB DUST	2				
40	JW8-G2541-00	PIPE 1	1				







**FIG. 11 BUMPER**

REF. NO.	PART NO.	DESCRIPTION	JTAI				REMARKS
1	JW1-K7510-01	FRONT BUMPER COMP.	1				
2	JW1-K8164-00	STAY, FRONT BUMPER (L.H)	2				
3	95812-08014	BOLT, FLANGE	2				
4	95822-06012	BOLT, FLANGE	4				
5	JW8-K7540-00	REAR BUMPER COMP.	1				
6	95602-10200	NUT, U FLANGE	2				

  
 JC06110-N230

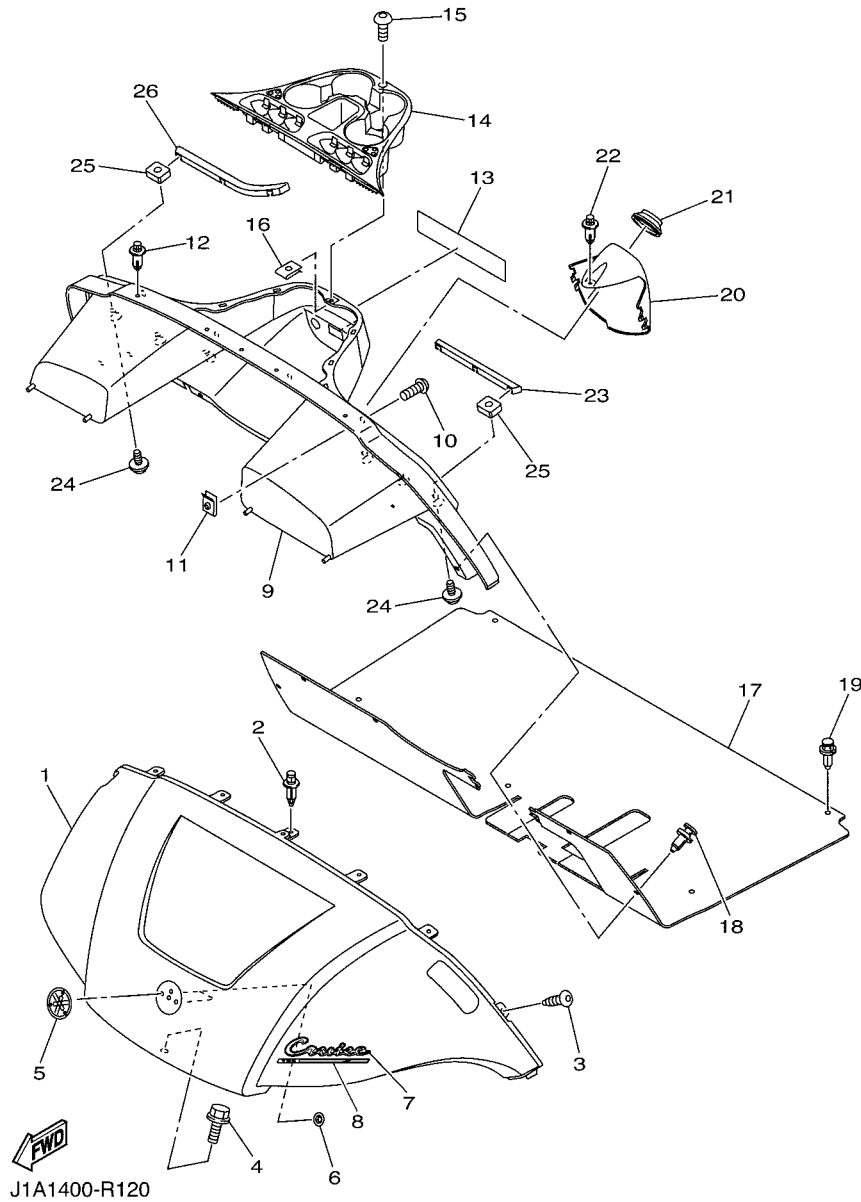


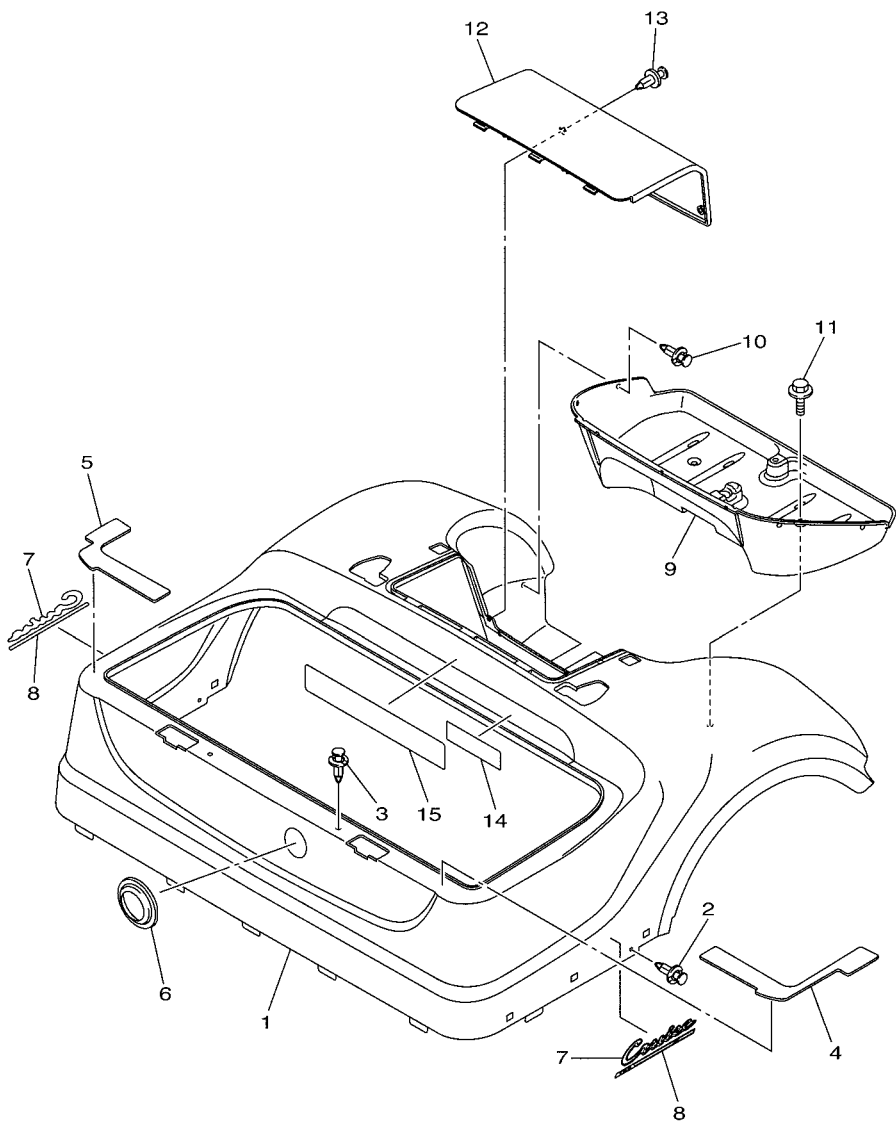
FIG. 12 BODY

REF. NO.	PART NO.	DESCRIPTION	J1A1		REMARKS
1	J1A-K8115-00	COWL, FRONT	1		UR FOR WS7
	J1A-K8115-10	COWL, FRONT	1		UR FOR DRMK
	J1A-K8115-20	COWL, FRONT	1		UR FOR DPBMU
	J1A-K8115-30	COWL, FRONT	1		UR FOR DNGM3
	J1A-K8115-40	COWL, FRONT	1		UR FOR SM1
	J1A-K8115-50	COWL, FRONT	1		UR FOR LYNM9
2	90269-07923	RIVET	5		
3	90160-05009	SCREW, ROUND TAPPING	2		
4	95812-06012	BOLT, FLANGE	1		
5	JW1-F4161-10	EMBLEM 1	1		
6	90183-06071	NUT, SPRING	2		
7	J1A-K81A1-00	EMBLEM 1	1		
8	J1A-K81B1-00	GRAPHIC 1	1		
9	JW2-K8114-12	PANEL, FRONT	1		
10	90111-05805	BOLT,HEX. SOCKET BUTTON	4		
11	90183-05008	NUT, SPRING	4		
12	90269-07001	RIVET	5		
13	JW9-K7768-30	LABEL, WARNING 8	1		
14	JW8-K835E-00	HOLDER, BEVERAGE	1		
15	90111-05805	BOLT,HEX. SOCKET BUTTON	1		
16	90183-05008	NUT, SPRING	1		
17	JW1-K8233-30	MAT, MAIN FLOOR 3	1		
18	90269-09003	RIVET	5		
19	90269-09003	RIVET	5		
20	JW1-K8273-00	COVER, HOLE	1		
21	JW1-K8245-00	SEAL 1	1		
22	90269-06804	RIVET	1		



FIG. 13 BODY 2

REF. NO.	PART NO.	DESCRIPTION	JTA1				REMARKS
1	J1A-K8142-00	PANEL, REAR BODY	1				UR FOR WS7
	J1A-K8142-10	PANEL, REAR BODY	1				UR FOR DRMK
	J1A-K8142-20	PANEL, REAR BODY	1				UR FOR DPBMU
	J1A-K8142-30	PANEL, REAR BODY	1				UR FOR DNGM3
	J1A-K8142-40	PANEL, REAR BODY	1				UR FOR SM1
	J1A-K8142-50	PANEL, REAR BODY	1				UR FOR LYNM9
2	90269-06804	RIVET	2				
3	90269-08813	RIVET	2				
4	JW1-F2873-10	SEAL 1	1				
5	JW1-F2874-10	SEAL 2	1				
6	JW9-K827A-00	GUIDE 1	1				
7	J1A-K81A1-00	EMBLEM 1	2				
8	J1A-K81B1-00	GRAPHIC 1	2				
9	JW1-K8237-10	COVER, REAR FLOOR	1				
10	90269-08813	RIVET	7				
11	90119-06051	BOLT, WITH WASHER	2				
12	JW1-K8151-00	PANEL, INSPECTION LID 1	1				
13	90269-08813	RIVET	2				
14	J1A-K8298-00	PLATE, CAUTION 2	1				
15	J1A-K8297-00	PLATE, CAUTION 1	1				

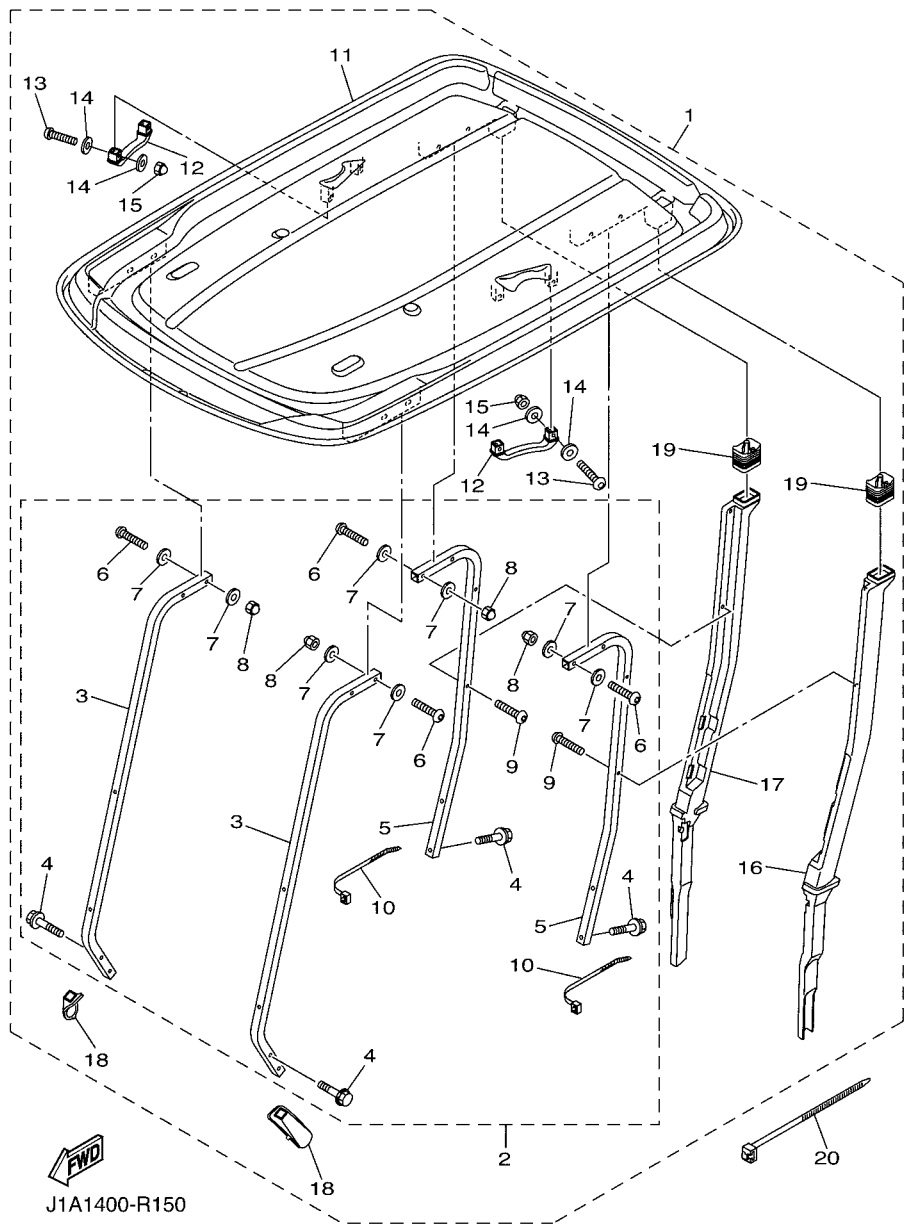


J1A1400-R130

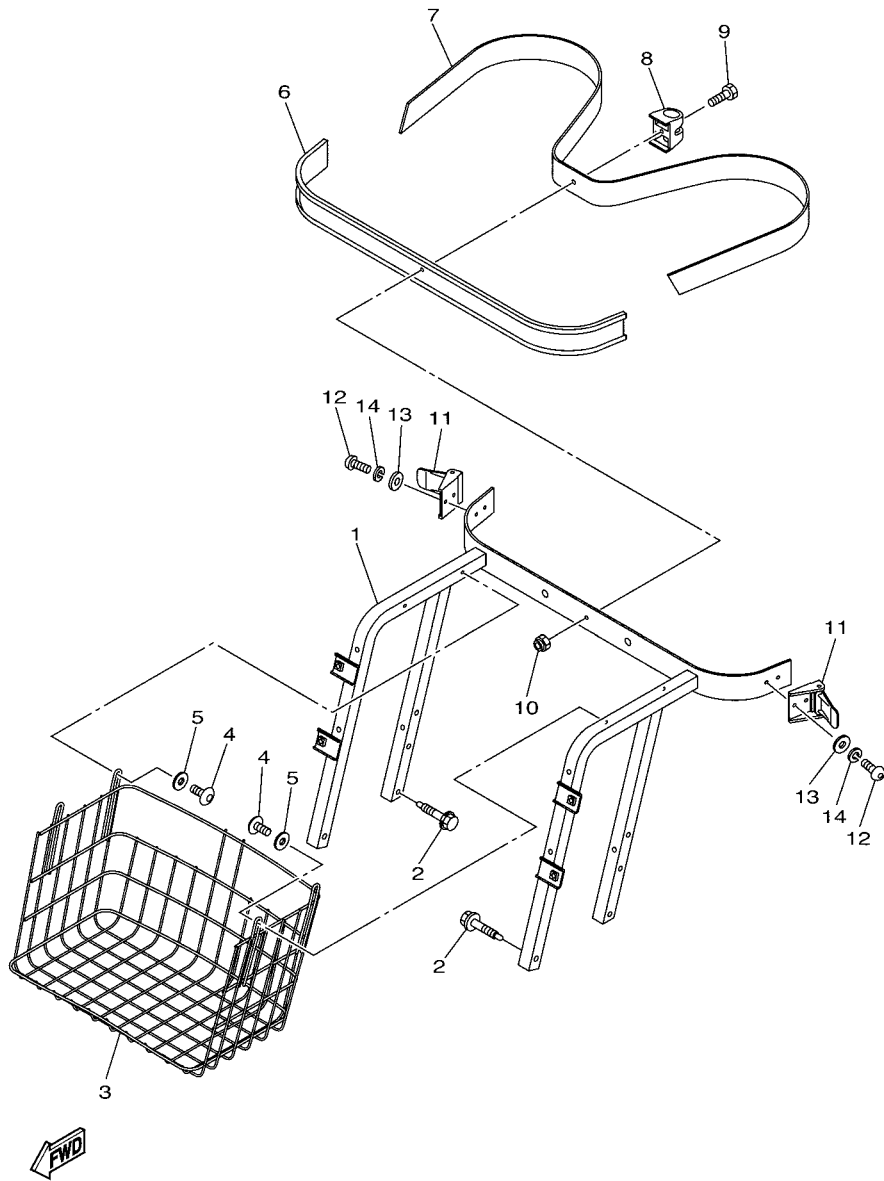




FIG. 15 SUN ROOF



REF. NO.	PART NO.	DESCRIPTION	JTA1				REMARKS
1	JW1-K84A0-01	SUN TOP KIT	1				
2	JW1-K84A2-01	.HARDWARE KIT, SUN TOP	1				
3	JW1-K8312-00	..SUPPORT, SUN ROOF 1	2				
4	JW1-K8388-00	..BOLT, ROOF 1	8				
5	JW1-K8313-01	..SUPPORT, SUN ROOF 2	2				
6	JU0-K8388-00	..BOLT, ROOF 1	8				
7	JW1-F1549-01	..WASHER, FENDER MOLD	16				
8	JU0-K8398-00	..NUT, ROOF 1	8				
9	JW1-K7387-00	..SCREW	4				
10	90464-76800	..CLAMP	2				
11	JW1-K8314-10	.COVER, SUN ROOF	1				
12	JW1-K8214-00	.GRIP, HAND	2				
13	JU0-K8388-00	.BOLT, ROOF 1	4				
14	JW1-F1549-01	.WASHER, FENDER MOLD	8				
15	JU0-K8398-00	.NUT, ROOF 1	4				
16	JW1-F413G-00	.TUBE, DRAIN	1				
17	JW1-F413J-00	.TUBE, DRAIN 2	1				
18	JW1-K832F-10	.GROMMET, ROOF SUPPORT 1	2				
19	JW1-F414G-10	.SEAL	2				
20	90464-99807	CLAMP	2				



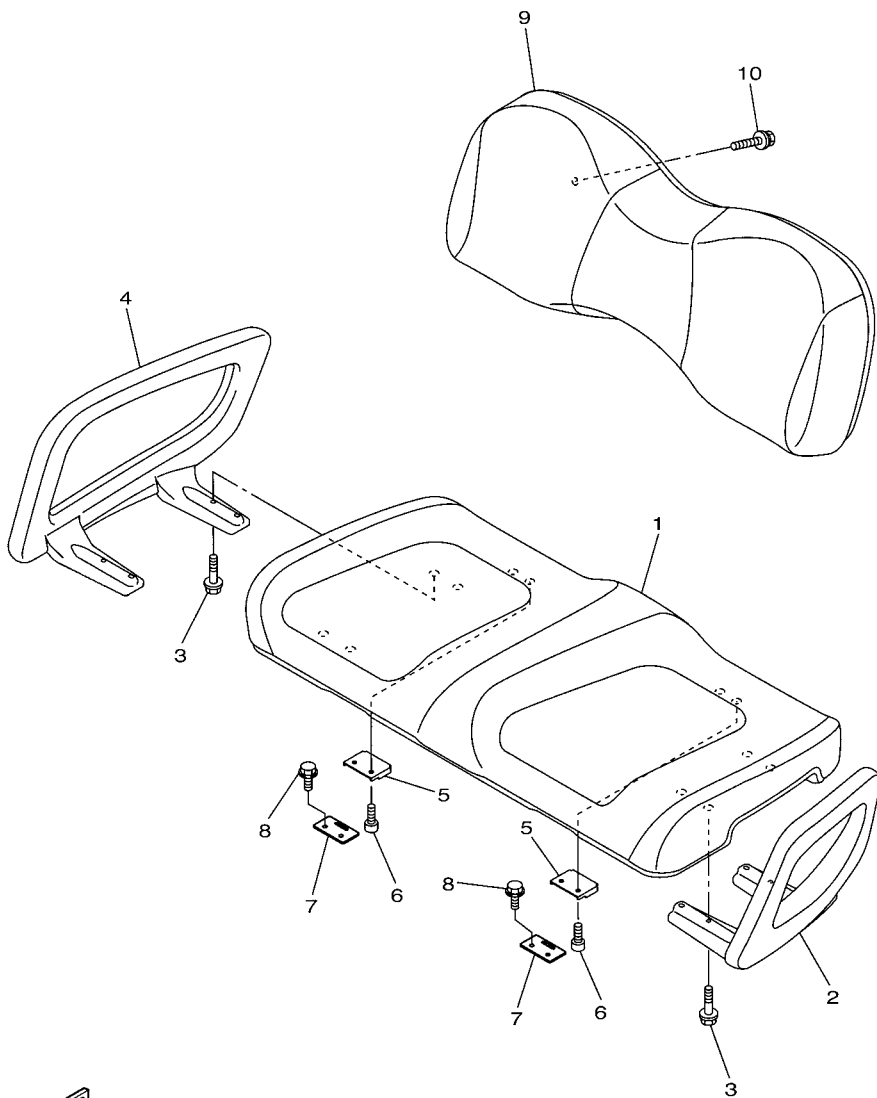
J1A1400-R160

FIG. 16 CARRIER

REF. NO.	PART NO.	DESCRIPTION	J1A1				REMARKS
1	JW1-K8423-10	SUPPORT, SEAT BACK	1				
2	90109-08178	BOLT	4				
3	JW1-K8340-00	LUGGAGE RACK ASSY., REAR	1				
4	90110-06102	BOLT, HEXAGON SOCKET HEAD	4				
5	90201-06020	WASHER, PLATE	4				
6	JF2-K8356-00	PAD, BAG SUPPORT	1				
7	JN6-K8355-20	BAND	1				
8	JW1-K834G-00	HOLDER, RAKE SAND	1				
9	97080-06020	BOLT	1				
10	95680-06100	NUT, U	1				
11	JN6-K8380-00	LOCK ASSY	2				
12	98580-06010	SCREW, PAN HEAD	4				
13	92990-06200	WASHER, PLAIN	4				
14	92990-06100	WASHER, SPRING	4				

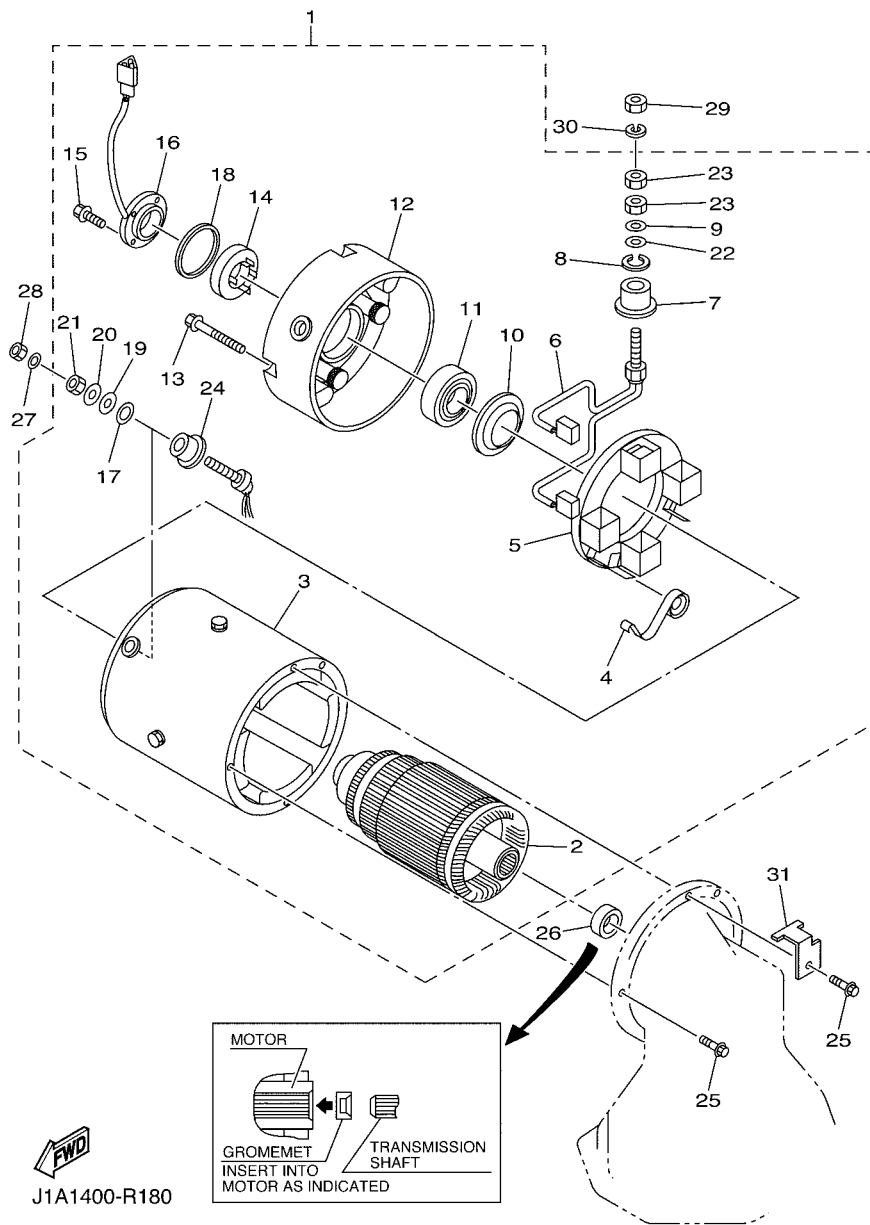
FIG. 17 SEAT

REF. NO.	PART NO.	DESCRIPTION	JTAI				REMARKS
1	JW1-K8401-12	SEAT SUB-ASSY,CUSHION	1				
2	JW1-K8361-00	ARM REST 1	1				
3	90105-06129	BOLT, FLANGE	8				
4	JW1-K8362-00	ARM REST 2	1				
5	JW1-K8426-00	HINGE, SEAT 1	2				
6	90110-06125	BOLT, HEXAGON SOCKET HEAD	4				
7	JW1-K8427-00	HINGE, SEAT 2	2				
8	95822-06012	BOLT, FLANGE	4				
9	JW1-K8402-10	SEAT SUB ASSY, BACK	1				
10	97580-06540	BOLT, WITH WASHER	4				



JV36010-N170

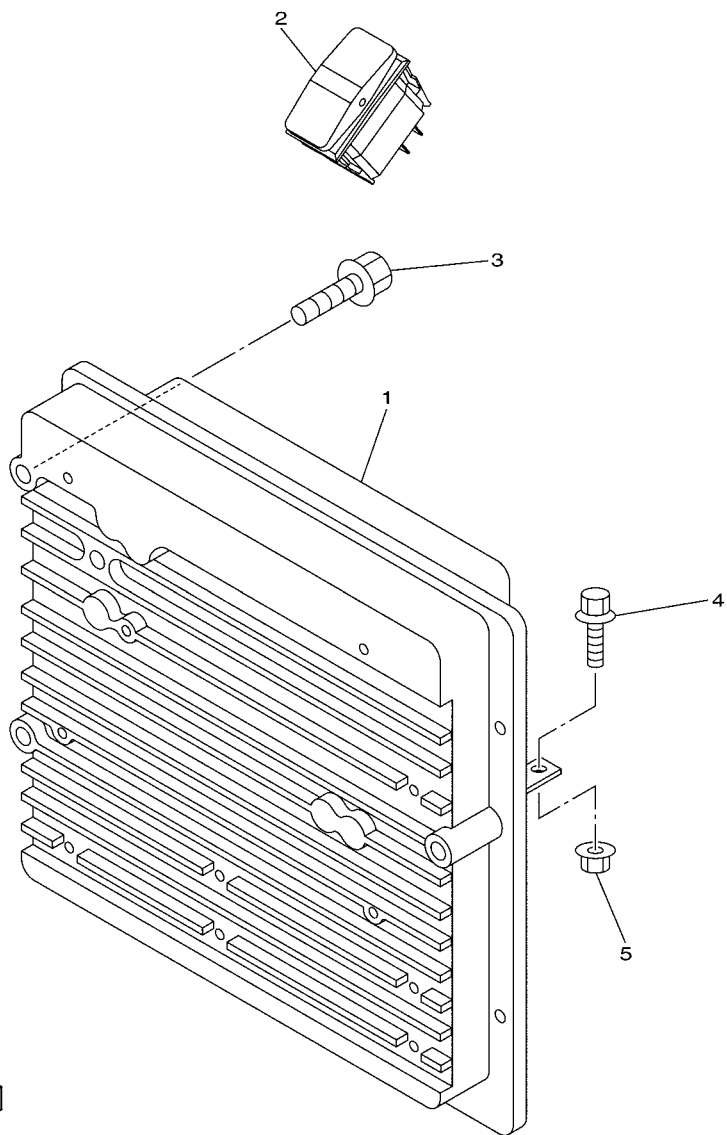
FIG. 18 ELECTRIC MOTOR



REF. NO.	PART NO.	DESCRIPTION	JTA1				REMARKS
1	JU2-H1890-23	MOTOR ASSY	1				
2	JU2-H1850-23	.ARMATURE ASSY	1				
3	JU2-H1160-20	.FIELD COIL ASSY	1				
4	JU2-H1617-20	.SPRING, BRUSH	4				
5	JU2-H1840-20	.BRUSH HOLDER ASSY	1				
6	JU2-H1801-20	.BRUSH SET	2				
7	JU2-H182G-20	.BUSH, TERMINAL	2				
8	JU2-H1843-20	.WASHER 1	2				
9	JU2-H181L-20	.WASHER, PLAIN	2				
10	JU2-H1856-20	.RETAINER	1				
11	JU2-H185B-20	.BEARING 1	1				
12	JU2-H183J-20	.BRACKET, FRONT	1				
13	JU2-H1828-20	.SCREW 2	4				
14	JU2-H181K-20	.MAGNET	1				
15	JU2-H2113-20	.SCREW	4				
16	JU2-H1670-22	.PICK-UP ASSY	1				
17	JU2-H272L-20	.INSULATOR, 1	2				
18	JU2-H5722-20	.INSULATOR	1				
19	JU2-H2517-20	.WASHER, SPECIAL	2				
20	JU2-H332D-20	.WASHER, SPECIAL 2	2				
21	JU2-H191B-20	.NUT	4				
22	JU2-H1824-20	.WASHER 2	2				
23	JU2-H182K-20	.NUT	4				
24	JU2-H182H-20	.BUSH, TERMINAL 2	2				
25	95812-06025	BOLT, FLANGE	3				
26	JH7-H1829-00	GROMMET	1				
27	JU2-H185A-20	WASHER, PLATE	2				



**FIG. 19 CONTROLLER 1**

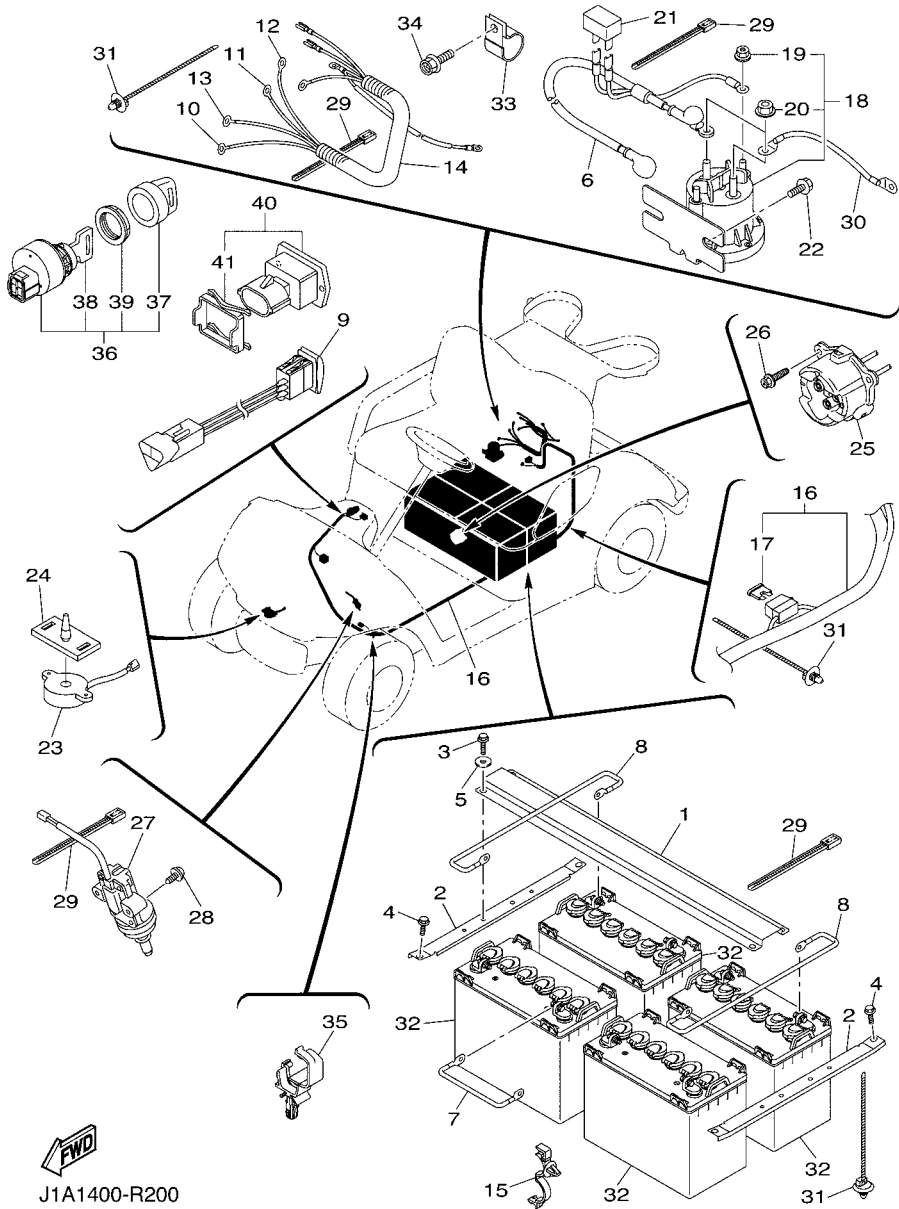


JW23110-J150

REF. NO.	PART NO.	DESCRIPTION	JTA1				REMARKS
1	J1A-86510-00	MOTOR CONTROL UNIT ASSY	1				
2	JW2-H2727-00	SWITCH	1				
3	95802-06040	BOLT, FLANGE	3				
4	95822-06016	BOLT, FLANGE	3				
5	95602-06200	NUT, SELF-LOCKING	3				
-----							
-----							
-----							
-----							
-----							
-----							
-----							
-----							
-----							

FIG. 20 ELECTRICAL 1

REF. NO.	PART NO.	DESCRIPTION	JTA1				REMARKS
1	J1A-H2136-01	PLATE, BATTERY FITTING	1				
2	J1A-H213E-01	PLATE, BETTERY FITTING	2				
3	97027-08020	BOLT, HEXAGON	4				
4	95822-08016	BOLT, FLANGE	4				
5	92907-08200	WASHER	4				
6	JW9-H2115-20	WIRE, PLUS LEAD	1				
7	J1A-H2127-00	WIRE, LEAD 2	1				
8	J1A-H2149-00	WIRE, LEAD 3	2				
9	JU2-H2917-00	SWITCH	1				
10	JU2-H2521-20	WIRE, LEAD	1				(F2)
11	JU2-H2531-20	WIRE, LEAD	1				(F1)
12	JU2-H6171-20	WIRE, LEAD 1	1				(A2)
13	JW9-H6172-00	WIRE, LEAD 2	1				(A1)
14	JU2-H7196-20	TUBE 1	1				
15	90464-20010	CLAMP	2				
16	J1A-H2590-00	WIRE HARNESS ASSY	1				
17	JR1-H2151-00	.FUSE (3A)	1				
18	JW9-H1950-20	RELAY ASSY	1				
19	90179-05807	.NUT	2				
20	90179-08824	.NUT	2				
21	JW9-85371-00	RESISTOR COMP.	1				
22	95822-06012	BOLT, FLANGE	2				
23	JR1-H3383-02	BUZZER	1				
24	JN6-H3386-01	STAY, BUZZER	1				
25	JW9-H6181-00	RECEPTACLE	1				
26	97502-05516	BOLT, WITH WASHER	3				
27	JF7-82817-22	SWITCH	1				

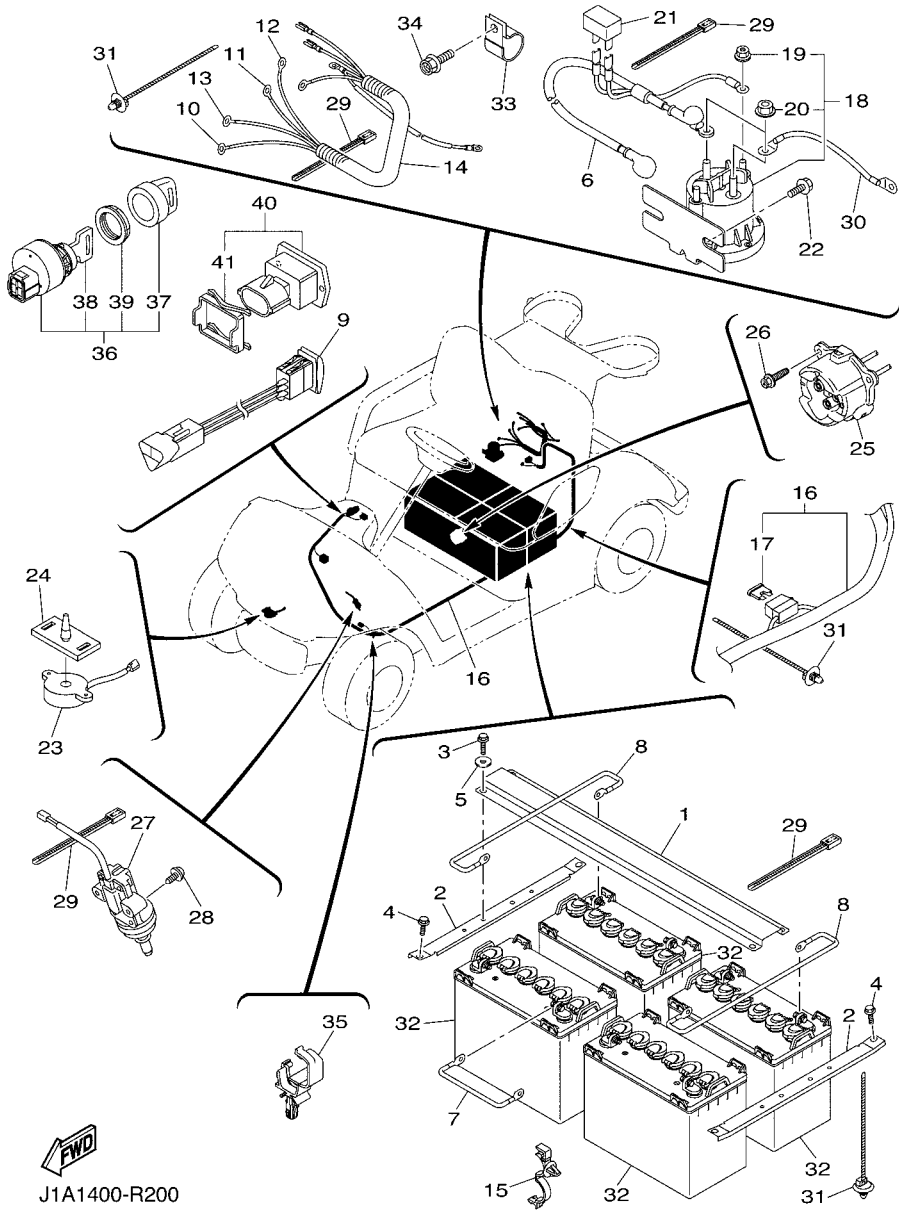


J1A1400-R200



FIG. 20 ELECTRICAL 1

REF. NO.	PART NO.	DESCRIPTION	JTA1				REMARKS
28	97602-05225	SCREW, PAN HEAD WITH WASHER	2				
29	90464-32804	CLAMP	8				
30	JW2-H6527-00	WIRE 7	1				
31	90464-20005	CLAMP	13				
32	*	BATTERY (GS BV150Z)	4				LM
33	90461-14108	CLAMP	1				
34	95822-08016	BOLT, FLANGE	1				
35	90464-20237	CLAMP	3				
36	JW1-H2510-00	MAIN SWITCH ASSY	1				
37	5UG-H2579-00	.CAP, KEY	1				
38	JU2-H2511-00	.KEY, MAIN SWITCH	2				
39	JU6-H2569-00	.NUT, MAIN SWITCH	1				
40	JW2-H351B-00	GAUGE, BATTERY	1				
41	JW1-H1128-00	.CLAMP	1				



J1A1400-R200



NUMERICAL INDEX

PART NO.	REF. NO.	PART NO.	REF. NO.	PART NO.	REF. NO.	PART NO.	REF. NO.	PART NO.	REF. NO.	PART NO.	REF. NO.
JX4-22123-00	1 - 2	JW1-F3512-00	3 - 5	JW9-F7232-00	6 - 19	JW9-G6350-00	8 - 12	JU2-H2521-20	20 - 10	JW1-K8191-00	14 - 6
J1A-23400-00	4 - 10	JU0-F3521-10	3 - 12	JW9-F7245-10	6 - 30	JW9-G6410-00	8 - 17	JU2-H2531-20	20 - 11	JW1-K8192-00	14 - 7
2NL-23448-00	3 - 9	JU0-F3570-20	3 - 1	JW9-F7246-20	6 - 46	JW9-G6421-00	8 - 14	JU6-H2569-00	20 - 39	J1A-K81A1-00	12 - 7
J1A-23489-00	4 - 20	JW1-F3811-03	4 - 1	JW9-F7263-00	6 - 49	JN3-G6432-00	8 - 21	5UG-H2579-00	20 - 37		13 - 7
2NL-23517-00	3 - 11	JU0-F3828-10	4 - 4	JW8-F7280-00	7 - 13	JR1-G6511-00	8 - 26	J1A-H2590-00	20 - 16	J1A-K81B1-00	12 - 8
2HR-23526-00	3 - 3	1P0-F3833-00	4 - 26	JW8-F7281-00	7 - 5	JR1-G6512-00	8 - 27	JW2-H2727-00	19 - 2		13 - 8
J1A-23527-00	4 - 21	JN3-F3838-00	4 - 6		7 - 16	JW8-G6514-00	8 - 32	JU2-H272L-20	18 - 17	JW1-K8214-00	15 - 12
JX4-23812-00	4 - 13	J1A-F3841-00	4 - 27	JW8-F7286-00	7 - 10	JW8-G6521-00	8 - 38	JU2-H2917-00	20 - 9	JW1-K8233-30	12 - 17
J1A-23822-00	4 - 29	JU0-F3857-11	4 - 3		7 - 21	JW1-H1128-00	20 - 41	JU2-H332D-20	18 - 20	JW1-K8237-10	13 - 9
J1A-23837-00	4 - 22		4 - 5	JW8-F7290-00	7 - 2	JU2-H1160-20	18 - 3	JR1-H3383-02	20 - 23	JW1-K8245-00	12 - 21
JR7-23844-00	4 - 19	JW1-F413G-00	15 - 16	JW8-F7316-01	6 - 31	JU2-H1617-20	18 - 4	JN6-H3386-01	20 - 24	JW1-K8261-00	12 - 23
JX4-2384N-00	4 - 12	JW1-F413J-00	15 - 17	JW8-F7317-00	6 - 40	JU2-H1670-22	18 - 16	JW2-H351B-00	20 - 40	JW1-K8262-00	12 - 26
JR7-23866-00	4 - 24	JW1-F414G-10	15 - 19	JW8-F7318-00	6 - 20	JU2-H1801-20	18 - 6	JU2-H5722-20	18 - 18	JW1-K8270-11	14 - 1
J1A-2387A-00	4 - 11	JW1-F4161-10	12 - 5	JW8-F7322-00	6 - 15	JU2-H181K-20	18 - 14	JW9-H5885-00	6 - 52	JW1-K8273-00	12 - 20
J1A-2387E-00	4 - 14	JW8-F41B8-00	6 - 51	JW9-F7411-01	2 - 2	JU2-H181L-20	18 - 9	JU2-H6171-20	20 - 12	JW9-K827A-00	13 - 6
JR7-2387F-00	4 - 17	JW8-F4486-00	6 - 44	JW8-F7416-00	6 - 8	JU2-H1824-20	18 - 22	JW9-H6172-00	20 - 13	J1A-K8297-00	13 - 15
JR7-2387G-00	4 - 15		6 - 48	JW8-F7426-01	6 - 17	JU2-H1828-20	18 - 13	JW9-H6181-00	20 - 25	J1A-K8298-00	13 - 14
JR7-2387J-00	4 - 18	JW9-F4648-20	6 - 50	JW8-F7434-00	6 - 39	JH7-H1829-00	18 - 26	JW2-H6527-00	20 - 30	JW1-K8312-00	15 - 3
JR7-2387K-00	4 - 16	J1A-F5100-00	9 - 1	JW8-F7435-00	6 - 56	JU2-H182A-20	18 - 28	JU2-H7196-20	20 - 14	JW1-K8313-01	15 - 5
JR7-23894-00	4 - 25	JC1-F5103-00	3 - 21	JW8-F7438-00	6 - 38	JU2-H182G-20	18 - 7	GCA-JW822-01	10 - 4	JW1-K8314-00	15 - 11
JR7-2467K-00	4 - 23	JW8-F5118-00	8 - 39	JW9-F7445-31	6 - 33	JU2-H182H-20	18 - 24	JW8-K7173-00	10 - 2	JW1-K832F-10	15 - 18
J38-27204-00	7 - 15	JN6-F5118-01	3 - 29	JW8-F7814-21	6 - 3	JU2-H182K-20	18 - 23	JW8-K7200-21	10 - 1	JW1-K8340-00	16 - 3
J38-27205-00	7 - 4	JW8-F5415-00	6 - 25		6 - 43	JU2-H1835-20	18 - 30	JW1-K7217-00	10 - 7	JW1-K834G-00	16 - 8
J55-27260-00	7 - 9	JW9-F5666-00	6 - 12	JW8-F7825-01	6 - 27	JU2-H183J-20	18 - 12	JW8-K7222-10	10 - 3	JN6-K8355-20	16 - 7
J55-27270-00	7 - 20	JW9-F5671-00	6 - 5	JW9-F7850-31	6 - 1	JU2-H1840-20	18 - 5	JW1-K7387-00	15 - 9	JF2-K8356-00	16 - 6
J10-27282-00	7 - 6	JW9-F5672-00	6 - 4	JW9-F7853-00	6 - 35	JU2-H1843-20	18 - 8	JW1-K7481-00	10 - 5	JW8-K8357-00	4 - 31
		JW9-F5673-00	6 - 45	JW9-F7871-10	6 - 36	JU2-H1850-23	18 - 2	JW1-K7510-01	11 - 1	JN6-K8358-01	4 - 32
JF7-82817-22	20 - 27	JW8-F5681-10	5 - 5	JW9-F7872-20	6 - 37	JU2-H1856-20	18 - 10	JW8-K7540-00	11 - 5	JW8-K835E-00	12 - 14
JW9-85371-00	20 - 21	JN6-F5685-01	5 - 6	JW8-F815H-01	6 - 42	JU2-H185A-20	18 - 27	JW8-K7762-00	4 - 37	JW1-K8361-00	17 - 2
J1A-86510-00	19 - 1	JW9-F5827-00	6 - 53	JW8-F8319-00	6 - 29	JU2-H185B-20	18 - 11	JW9-K7768-30	12 - 13	JW1-K8362-00	17 - 4
JW1-F1549-01	15 - 7	JW9-F5827-10	6 - 53	JW8-F8323-00	6 - 24	JU2-H1872-20	18 - 29	JW2-K8114-12	12 - 9	JN6-K8380-00	16 - 11
		JW8-F6314-00	6 - 21	JW8-F8331-00	6 - 47	JU2-H1890-23	18 - 1	J1A-K8115-00	12 - 1	JU0-K8388-00	15 - 6
J1A-F2110-00	1 - 1	JW9-F632G-00	6 - 54	JW8-F8363-00	6 - 7	JU2-H191B-20	18 - 21	J1A-K8115-20	12 - 1		15 - 13
JN6-F2124-10	1 - 6	J1A-F6351-00	5 - 1	JW8-G2535-00	8 - 35	JW9-H1950-20	20 - 18	J1A-K8115-30	12 - 1	JW1-K8388-00	15 - 4
J1A-F2128-00	3 - 16	JW8-F639L-00	6 - 22	JW8-G2536-00	8 - 36	J1A-H1962-00	21 - 3	J1A-K8115-40	12 - 1	JU0-K8398-00	15 - 8
J1A-F217G-00	1 - 10	JW8-F639N-00	6 - 9	JW8-G2541-00	8 - 40	JW2-H2107-13	21 - 1	J1A-K8115-50	12 - 1		15 - 15
JW2-F2210-10	1 - 12	JW8-F7113-00	6 - 11	JW8-G2756-00	8 - 37	JU2-H2113-20	18 - 15	J1A-K8142-00	13 - 1	JW1-K8401-12	17 - 1
JW9-F2417-00	2 - 10	JW8-F7117-00	6 - 6	JH7-G3396-01	8 - 10	JW9-H2115-20	20 - 6	J1A-K8142-10	13 - 1	JW1-K8402-10	17 - 9
J1A-F2501-00	2 - 1	JW8-F7118-00	6 - 41	JW8-G4178-00	8 - 33	J1A-H2127-00	20 - 7	J1A-K8142-20	13 - 1	JW1-K8423-10	16 - 1
J1A-F252M-00	2 - 5	JW8-F7119-00	6 - 28	JW8-G5244-00	8 - 34	J1A-H2136-01	20 - 1	J1A-K8142-30	13 - 1	JW1-K8426-00	17 - 5
J1A-F2535-01	2 - 8	JW8-F7121-00	6 - 13	JW8-G5378-00	8 - 23	J1A-H213E-01	20 - 2	J1A-K8142-40	13 - 1	JW1-K8427-00	17 - 7
JW1-F258G-02	2 - 6	JW9-F7200-21	6 - 2	JW9-G6136-00	8 - 9	J1A-H2149-00	20 - 8	J1A-K8142-50	13 - 1	JW1-K84A0-01	15 - 1
JW1-F2873-10	13 - 4	JW8-F7213-20	6 - 34	JW9-G6290-10	8 - 2	JR1-H2151-00	20 - 17	J1A-K818A-00	14 - 2	JW1-K84A2-01	15 - 2
JW1-F2874-10	13 - 5	JW8-F7217-00	6 - 32	JW9-G6300-10	7 - 1	JU2-H218E-01	18 - 31	JW1-K818B-00	14 - 5	JN9-W2536-00	7 - 3
JW8-F3183-00	6 - 16	JW8-F7218-00	6 - 10		8 - 1	JR1-H235A-00	21 - 2	JW1-K8164-00	11 - 2		7 - 14
JW2-F3350-00	3 - 14	JW9-F7221-00	6 - 14	JW9-G6312-00	8 - 20	JW1-H2510-00	20 - 36	JW8-K8167-00	10 - 8	90101-08855	8 - 24
JW2-F3390-00	3 - 19	JW9-F7228-00	6 - 23	JW9-G631A-00	8 - 19	JU2-H2511-00	20 - 38	JW1-K818A-00	14 - 2	90101-08856	8 - 22
JU0-F3511-10	3 - 4	JW9-F7231-10	6 - 18	JW9-G6321-00	8 - 4	JU2-H2517-20	18 - 19	JW1-K818B-00	14 - 5	90101-10854	8 - 16

NUMERICAL INDEX

PART NO.	REF. NO.	PART NO.	REF. NO.	PART NO.	REF. NO.	PART NO.	REF. NO.	PART NO.	REF. NO.	PART NO.	REF. NO.
90105-06129	17 - 3	90269-09003	12 - 18	95602-12200	1 - 4						
90105-10219	3 - 8		12 - 19		1 - 8						
90105-10267	3 - 13	90381-17067	3 - 10		4 - 9						
	3 - 20	90381-18001	3 - 2	95602-14100	3 - 28						
90105-10373	3 - 6	90386-12800	6 - 26	95612-12100	3 - 18						
90105-10840	8 - 3	90387-046N7	4 - 36	95680-06100	16 - 10						
90105-12031	1 - 3	90387-12016	3 - 15	95802-06040	19 - 3						
90109-08178	16 - 2	90387-241M7	3 - 25	95812-06012	12 - 4						
90110-06102	16 - 4	90461-14108	20 - 33	95812-06025	18 - 25						
90110-06125	17 - 6	90464-20005	20 - 31	95812-08014	11 - 3						
90111-05805	12 - 10	90464-20010	20 - 15	95812-08020	4 - 2						
	12 - 15	90464-20237	20 - 35		6 - 57						
90114-12004	3 - 22	90464-24230	5 - 4	95812-10016	1 - 5						
90119-06051	13 - 11	90464-32804	20 - 29	95812-10040	4 - 28						
90119-06244	12 - 24	90464-76800	15 - 10	95812-10055	1 - 13						
90160-05009	12 - 3	90464-99807	15 - 20	95812-12065	1 - 7						
	14 - 3	90468-20196	5 - 3	95812-12080	3 - 17						
90170-08841	8 - 25	90502-10013	4 - 35	95817-08025	2 - 3						
90170-10840	8 - 18	90506-14001	7 - 8	95822-06012	11 - 4						
90173-06010	12 - 25		7 - 19		17 - 8						
90179-05807	20 - 19	90506-20281	7 - 7		20 - 22						
90179-08261	5 - 7		7 - 18	95822-06016	2 - 7						
90179-08824	20 - 20	91490-25015	5 - 12		19 - 4						
90179-12262	9 - 2	91490-30030	8 - 28	95822-08016	2 - 9						
90183-05008	12 - 11	91702-08018	5 - 11		20 - 4						
	12 - 16	91702-10026	5 - 2		20 - 34						
90183-06071	12 - 6	92902-12200	4 - 8	97027-08020	20 - 3						
90185-12008	4 - 7	92907-08200	20 - 5	97080-06020	16 - 9						
90201-044H9	4 - 34	92990-06100	16 - 14	97502-05516	20 - 26						
90201-05824	6 - 55	92990-06200	16 - 13	97512-08530	4 - 30						
90201-06020	16 - 5	93101-24822	8 - 29	97512-10620	1 - 11						
90201-068G7	10 - 6	93102-30803	3 - 26	97580-06540	17 - 10						
90201-08766	2 - 4	93210-148B9	8 - 13	97602-05225	20 - 28						
90201-121H8	7 - 12	93210-478B8	8 - 6	97702-40525	4 - 33						
	7 - 23	93306-00440	8 - 31	98580-06010	16 - 12						
90201-121H9	7 - 11	93306-005Y1	8 - 7	99002-09600	5 - 10						
	7 - 22	93306-005Y3	3 - 24								
90201-12426	1 - 9	93306-007Y0	8 - 15								
90209-32271	3 - 27	93306-203X1	8 - 8								
90249-14129	5 - 9	93306-20437	3 - 23								
90269-06804	12 - 22	93306-303Y6	8 - 11								
	13 - 2	93420-44805	8 - 30								
	14 - 4	93420-50804	8 - 5								
90269-07001	12 - 12	95307-08700	5 - 8								
90269-07923	12 - 2	95602-06200	19 - 5								
90269-08813	13 - 3	95602-10200	1 - 14								
	13 - 10		3 - 7								
	13 - 13		11 - 6								