

# SXYx 3 axes / ZFL20



● Arm type ● Cable carrier ● Z-axis: clamped base / moving table type (200W)

## Ordering method

**SXYx - C** - **ZFL20** - **RCX340-3**

Model	Cable	Combination	X-axis stroke	Y-axis stroke	ZR-axis	Z-axis stroke	Cable	Controller / Number of controllable axes	Safety standard	Option A (OP.A)	Option B (OP.B)	Option C (OP.C)	Option D (OP.D)	Option E (OP.E)	Absolute battery
		A1 A2 A3 A4	15 to 105cm	15 to 65cm		15 to 35cm	3L: 3.5m 5L: 5m 10L: 10m								

Specify various controller setting items. RCX340 ▶ **P.678**

## Specification

	X-axis	Y-axis	Z-axis
Axis construction <sup>Note 1</sup>	F14H	F14	F10H-BK
AC servo motor output (W)	200	100	200
Repeatability <sup>Note 2</sup> (mm)	+/-0.01	+/-0.01	+/-0.01
Drive system	Ball screw φ15	Ball screw φ15	Ball screw φ15
Ball screw lead <sup>Note 3</sup> (Deceleration ratio) (mm)	20	20	20
Maximum speed <sup>Note 4</sup> (mm/sec)	1200	1200	1200
Moving range (mm)	150 to 1050	150 to 650	150 to 350
Robot cable length (m)	Standard: 3.5 Option: 5, 10		

Note 1. Use caution that the flame machining (installation holes, tap holes) differs from single-axis robots.  
 Note 2. Positioning repeatability in one direction.  
 Note 3. Leads not listed in the catalog are also available. Contact us for details.  
 Note 4. When the X-axis stroke is longer than 750mm, resonance of the ball screw may occur depending on the operation conditions (critical speed). In this case, reduce the speed setting on the program by referring to the maximum speeds shown in the table below.

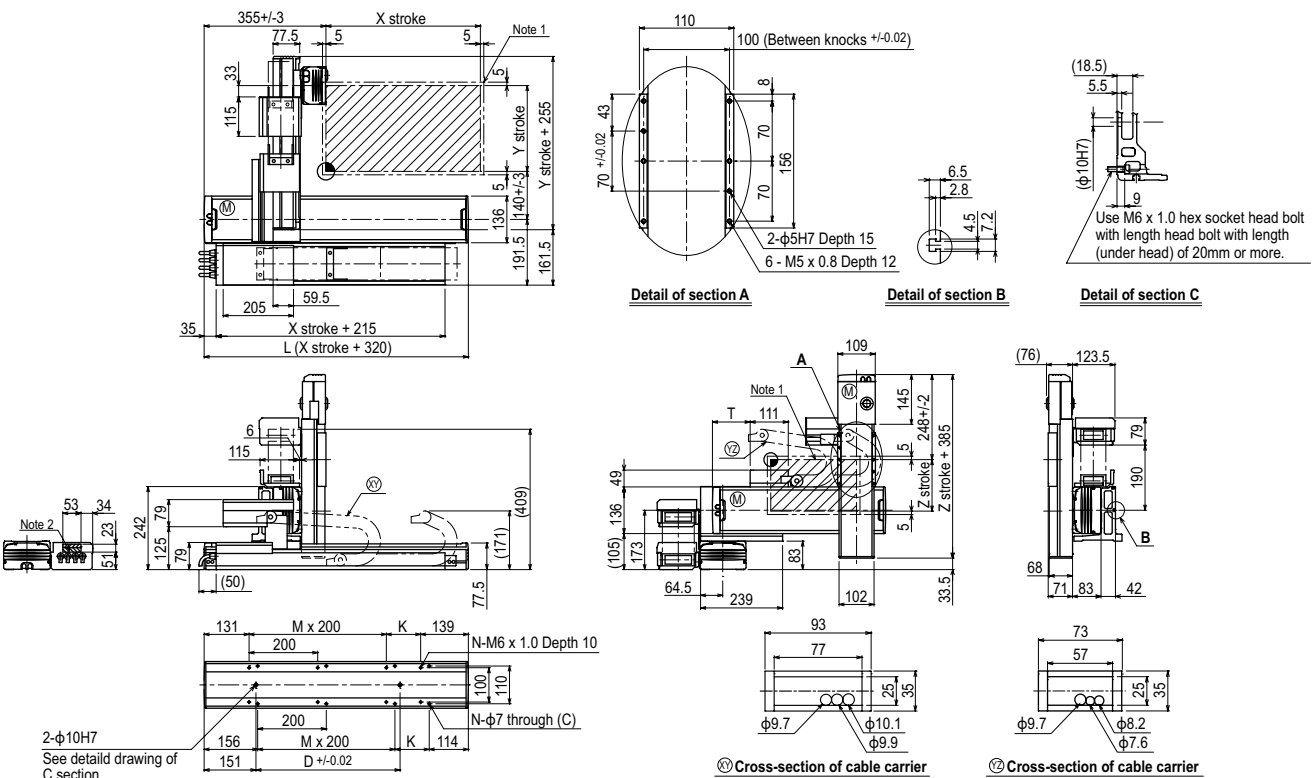
## Maximum payload (kg)

Y stroke (mm)	Z stroke (mm)		
	150	250	350
150	8	8	8
250	8	8	8
350	8	7	6
450	6	5	4
550	4	3	2
650	2	1	1

## Controller

Controller	Operation method
RCX340	Programming / I/O point trace / Remote command / Operation using RS-232C communication

## SXYx 3 axes / ZFL20 A1



X stroke	150	250	350	450	550	650	750	850	950	1050		
L	470	570	670	770	870	970	1070	1170	1270	1370		
K	200	100	200	100	200	100	200	100	200	100		
D	240	240	420	420	600	600	780	960	960	1140		
M	0	1	1	2	2	3	3	4	4	5		
N	4	6	6	8	8	10	10	12	12	14		
Y stroke	150	250	350	450	550	650						
T	55	110	165	220	275	330						
Z stroke	150	250	350									
Maximum speed for each stroke (mm/sec)	X-axis		1200		960		780		600		540	
Speed setting			-		80%		65%		50%		45%	

Note 1. The moving range when returning to origin and the stop position when stopping by the mechanical stopper.  
 Note 2. The shaded position indicates a user cable extraction port.

Note 3. When the X-axis stroke is longer than 750mm, resonance of the ball screw may occur depending on the operation conditions (critical speed). In this case, reduce the speed setting on the program by referring to the maximum speeds shown in the table at the left.