

# 6 Assembling the Seat and Side Cover , Rear Arm

First, assemble each component by following the working method and markings. Then, refer to the illustration and photos below to glue the parts together.

Indication of Working Methods

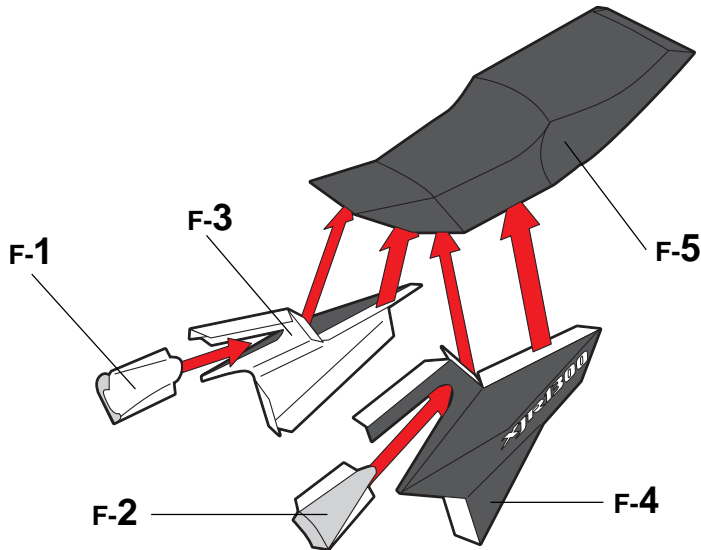
▄▄▄▄➔ Fold or Curve ➔ Glue

## Seat and Side Cover

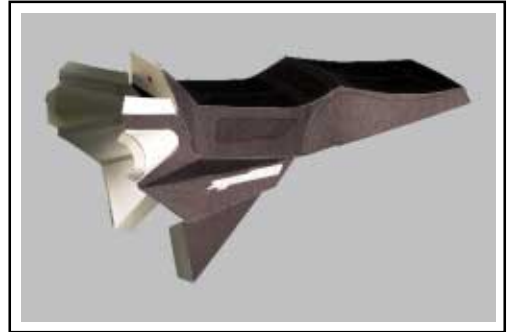
Sheet F, 5 parts in total

Fold each relevant part according to the assembly symbols.

Please use the ● dots on each component as reference when gluing surfaces.



Reference photo

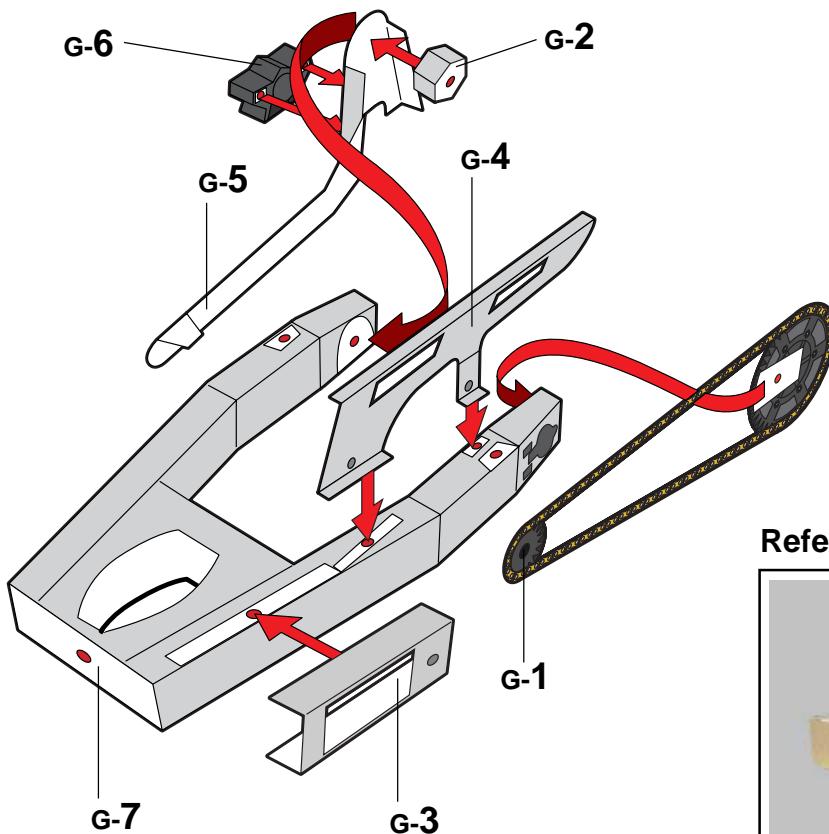


## Rear Arm

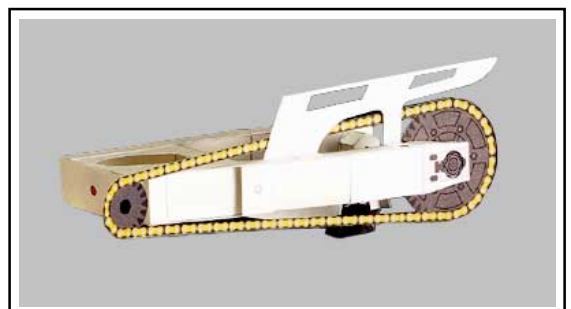
Sheet G, 7 parts in total

Fold each relevant part according to the assembly symbols.

Please use the ● dots on each component as reference when gluing surfaces.



Reference photo



# 7 Assembling the Rear Suspensions and Rear Fender

First, assemble each component by following the working method and markings. Then, refer to the illustration and photos below to glue the parts together.

Indication of Working Methods

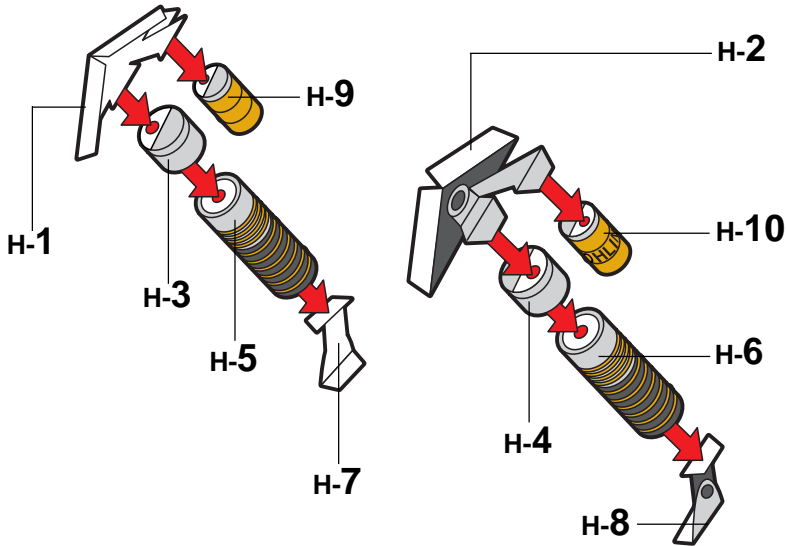
 Fold or Curve  Glue

## Rear Suspensions

Sheet H, 10 parts in total

Fold each relevant part according to the assembly symbols.

Please use the ● dots on each component as reference when gluing surfaces.



Reference photo

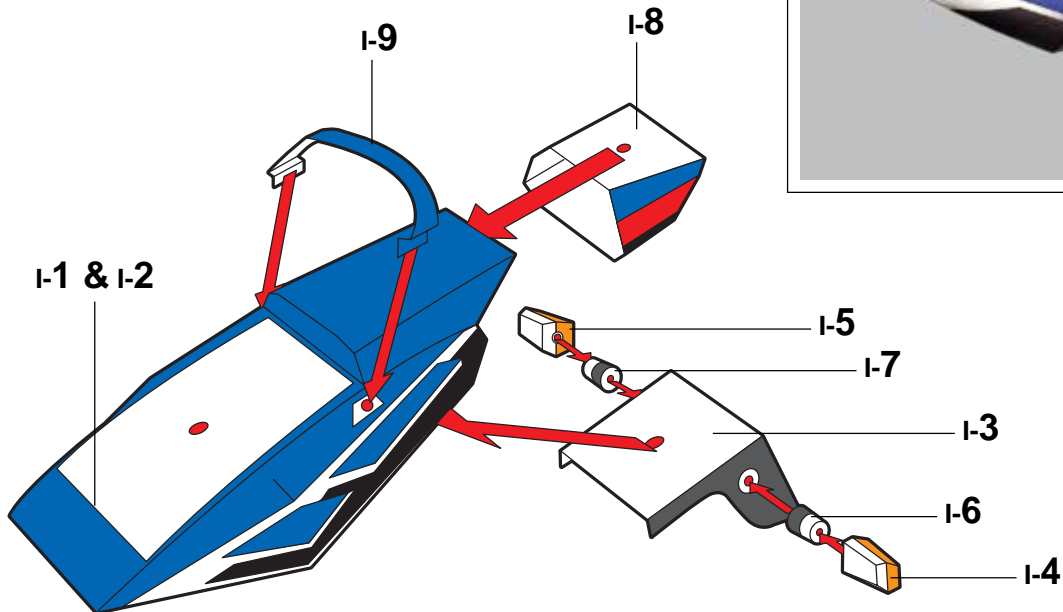


## Rear Fender

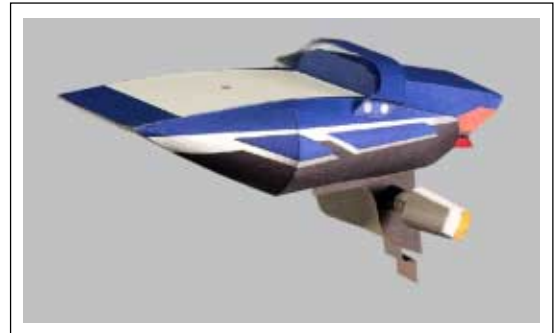
Sheet I, 9 parts in total

Fold each relevant part according to the assembly symbols.

Please use the ● dots on each component as reference when gluing surfaces.



Reference photo



# 8 Assembling the Front Tire

First, assemble each component by following the working method and markings. Then, refer to the illustration and photos below to glue the parts together.

Indication of Working Methods



Fold or Curve



Glue

## Front tire

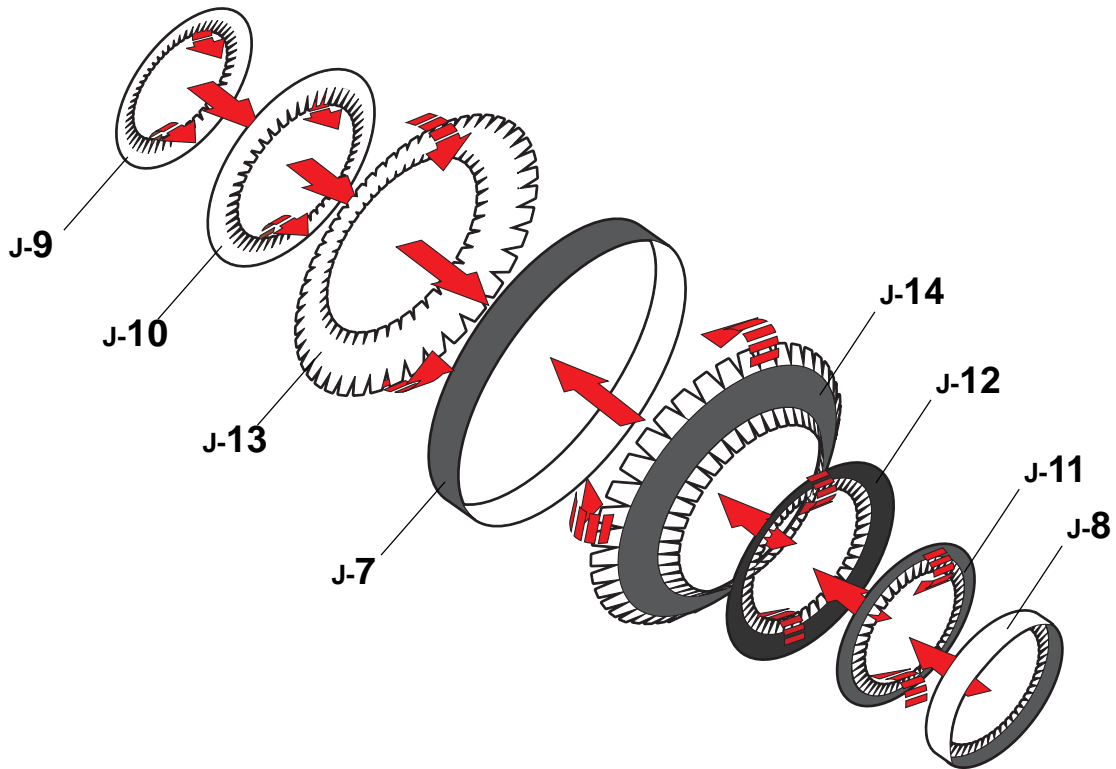
Sheet J, 14 parts in total

Fold each relevant part according to the assembly symbols.

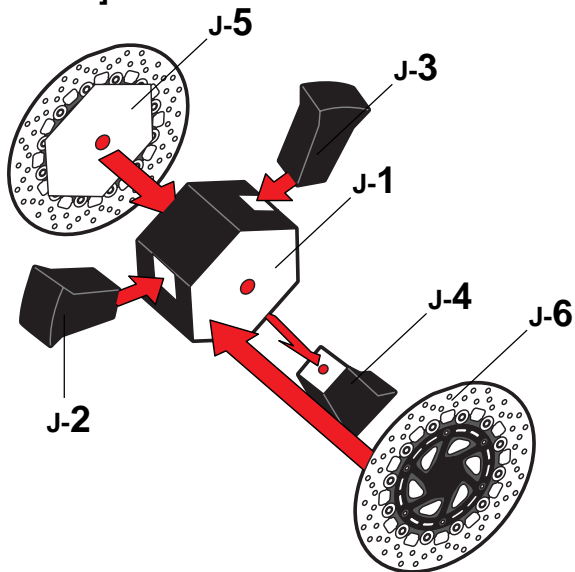
Please use the ● dots on each component as reference when gluing surfaces.

\*Glue the completed front wheel to the assembled front tire.

### [Front tire]



### [Front wheel]



### Reference photo



# 9 Assembling the Rear Tire

First, assemble each component by following the working method and markings. Then, refer to the illustration and photos below to glue the parts together.

Indication of Working Methods



Fold or Curve



Glue

## Rear tire

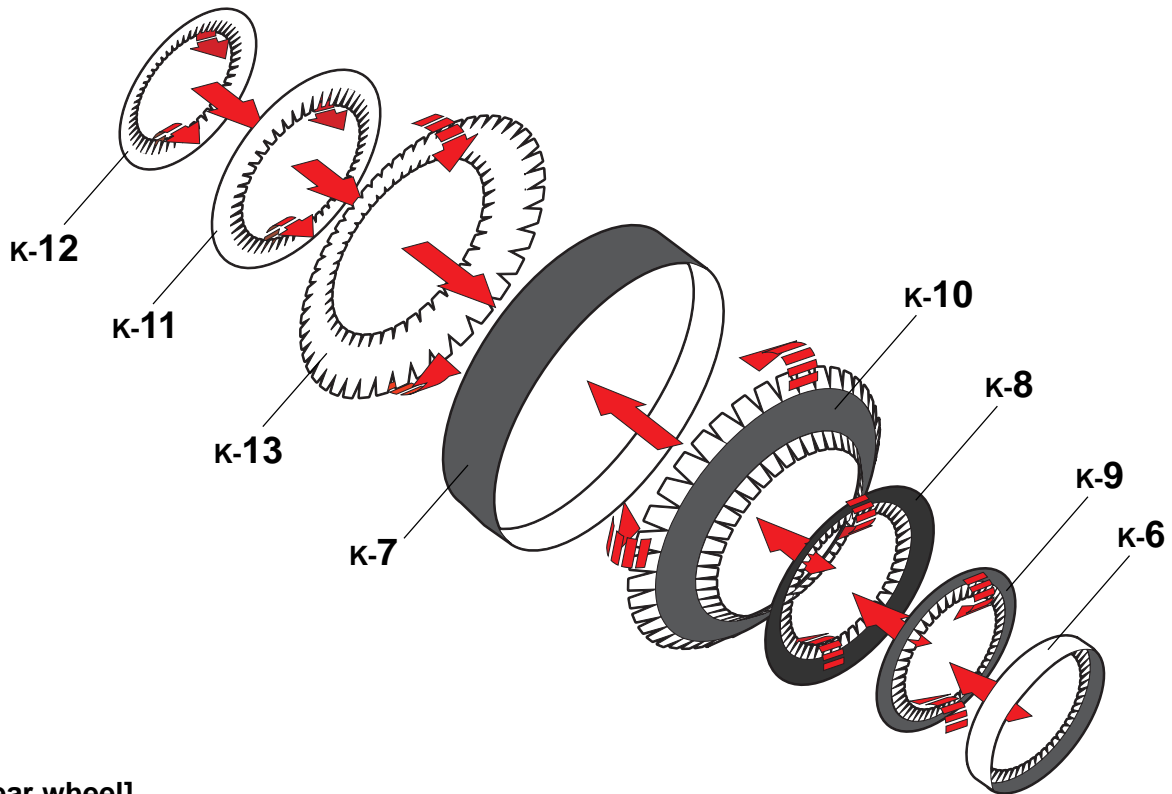
Sheet K, 13 parts in total

Fold each relevant part according to the assembly symbols.

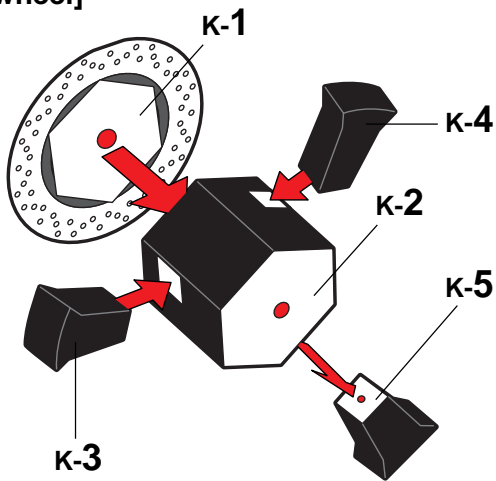
Please use the ● dots on each component as reference when gluing surfaces.

\*Glue the completed rear wheel to the assembled rear tire.

### [Rear tire]



### [Rear wheel]



### Reference photo

