

MF7/MF7D

- Flat type available
- Can be used for wall-mount



Ordering method

Single carriage model

MF7

Model MF7: Incremental MF7A: Semi-absolute ^{Note 1}	Cable carrier entry location RH: Horizontal, right LH: Horizontal, left FRH: Horizontal, right (Flat) FLH: Horizontal, left (Flat) RW: Wall mount, right LW: Wall mount, left	Optional cable carrier for users^{Note 2} No entry: None S: S type M: M type L: L type	Origin position change Horizontal: No entry: L side (Standard) Z: R side Wall: No entry: R side (Standard) Z: L side	Grease type No entry: Standard GC: Clean	Stroke^{Note 3} Horizontal: 100 to 4000 (100mm pitch) S: 5m 100 to 2000 (100mm pitch) Wall: 100 to 2000 (100mm pitch)	Cable length^{Note 4} 3L: 3.5m 5L: 5m 10L: 10m 3K/5K/10K (Flexible cable) ^{Note 5}	TSP Positioner Note 6 TS-P	Driver: Power-supply voltage / Power capacity 110: 100V/200W 210: 200V/200W	LCD monitor No entry: None L: With LCD	I/O selection NP: NPN PN: PNP CC: CC-Link DN: DeviceNet™ EP: EtherNet/IP™ GW: No I/O board ^{Note 7}
---	--	---	---	---	--	--	---	--	---	---

SR1-P **10**

Controller	Driver: Power capacity 10: 200W	Usable for CE No entry: Standard E: CE marking	I/O selection N: NPN P: PNP CC: CC-Link DN: DeviceNet™ EP: EtherNet/IP™ PB: PROFIBUS
-------------------	---	---	---

RDV-P **2** **10** **RBR1**

Driver	Power-supply voltage 2: AC200V	Driver: Power capacity 10: 200W or less	Regenerative unit
---------------	--	---	--------------------------

Note 1. For the details of the semi-absolute model, please refer to P.67. RDV-P has an incremental model only.
 Note 2. For models with a 2,100mm or longer stroke, optional L type cable carriers can only be used. Flat type cannot be selected for L type.
 Note 3. Maximum stroke for flat type is 2000mm.
 Note 4. The robot cable is standard cable (3L/5L/10L), but can be changed to flexible cable. See P.732 for details on robot cable.
 Note 5. If a flexible cable is needed for the SR1-P, TS-P, or RDV-P, then select 3K/5K/10K. On the RCX221, the standard cable is a flexible cable, so enter 3L/5L/10L when ordering.
 Note 6. These controllers can be mounted on DIN rails. See P.634 for details.
 Note 7. Select this selection when using the gateway function. For details, see P.96.
 Note. It is possible to provide the model without a cable carrier. To find information on wiring (cable terminals) within the cable carrier see P.742.

Double carriage model

MF7D

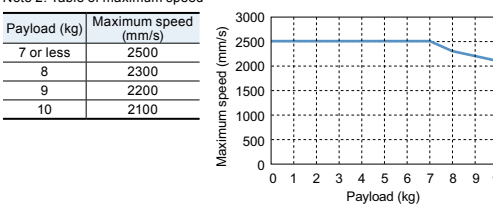
Model MF7D: Incremental MF7AD: Semi-absolute ^{Note 1}	Installing direction H: Horizontal installation FH: Horizontal installation (Flat) W: Wall mount installation	Optional cable carrier for users^{Note 2} No entry: None S: S type M: M type L: L type	Grease type No entry: Standard GC: Clean	Stroke^{Note 3} Horizontal: 100 to 3800 (100mm pitch) S: 5m 100 to 1800 (100mm pitch) Wall: 100 to 1800 (100mm pitch)	Cable length 3L: 3.5m 5L: 5m 10L: 10m 3K/5K/10K (Flexible cable) ^{Note 5}	Controller RCX320 RCX221 SR1-P (2 units) TS-P (2 units) RDV-P (2 units)
---	---	---	---	--	---	---

Note. Specify various controller setting items.

Specifications

Model	MF7	MF7D
Driving method	Steel cored linear motor with falt magnet	
Repeatability (μm)	+/-5	
Scale (μm)	Magnetic type: resolution of 1	
Maximum speed^{Note 2} (mm/sec)	2500	
Rated thrust (N)	37	
Maximum payload (kg)	Horizontal: 10 ^{Note 1} Wall mount: 7	
Stroke (mm)	Horizontal: 100 to 4000 (100mm pitch) Wall mount: 100 to 2000 (100mm pitch)	100 to 3800 (100mm pitch) 100 to 1800 (100mm pitch)
Linear guide	4 rows of circular arc grooves × 1 rail	
Maximum cross-section outside dimensions (mm)	W85 × H80 (except the cable carrier section)	
Total length (mm)	Stroke+280	Stroke+480
Cable length (m)	Standard: 3.5 / Option: 5.10	

Note. A vertical model (with brake) is not available with the PHASER series.
 Note. The basic specifications of semi-absolute model are the same as those of the incremental model.
 Note 1. Payload per carrier. When the payload exceeds 7kg, please consult our sales office or sales representative.
 Note 2. Table of maximum speed



Allowable overhang

	Horizontal installation (Unit: mm)			Wall installation (Unit: mm)		
	A	B	C	A	B	C
1kg	3000	3000	680	700	3000	3000
3kg	3000	1350	215	195	1260	3000
5kg	2900	830	125	90	630	2480
7kg	2400	580	85	50	360	1680
9kg	2200	460	60			
10kg	2100	410	55			

Note. Distance from center of slider top to center of gravity of object being carried at a guide service life of 10,000 km.

Static loading moment

MY	MP	MR
156	156	194

(Unit: N·m)

Controller

Controller	Operating method
SR1-P10	Programming / I/O point trace / Remote command / Operation using RS-232C communication
RCX320 RCX221 RCX340	
TS-P110	I/O point trace / Remote command
TS-P210	Remote command
RDV-P210-RBR1	Pulse train control

Cable carrier entry location

Note. Be sure to install in the direction as specified (in cable carrier take-out direction drawing and various specification drawings) individually. Installation in any other way will cause a failure. For requirement of installation in any way other than the above standard installation, please consult YAMAHA as special arrangement will be available.

Optional cable carrier for users

Cable and air tube guide
 S: φ8 flexible cable x 1, φ4 air tube x 1
 M: φ8 flexible cable x 2, φ6 air tube x 2
 L: φ8 flexible cable x 2, φ6 air tube x 3

□ Space for optional cable for users

Articulated robots
YA
Linear conveyor modules
LCM
Single-axis robots
CX
Motor-less single axis actuator
Robotomy
Compact single-axis robots
TRANSEVO
Single-axis robots
FLIP-X
Linear motor single-axis robots
PHASER
Cartesian robots
XY-X
SCARA robots
YK-X
Pick & place robots
YP-X
CLEAN
CONTROLLER INFORMATION

MF7 single carriage horizontal mount model **RH**

Optional cable carrier M type **Optional cable carrier S type**

Detail of section D **Cross-section of E-E**

Cross-section of cable carrier

Effective stroke	100	200	300	400	500	600	700	800	900	1000	1100	1200	1300	1400	1500	1600	1700	1800	1900	2000	2100
L	380	480	580	680	780	880	980	1080	1180	1280	1380	1480	1580	1680	1780	1880	1980	2080	2180	2280	
A	3	4	5	6	7	8	9	10	11	12	13	14	15	16	17	18	19	20	21	22	
B	8	10	12	14	16	18	20	22	24	26	28	30	32	34	36	38	40	42	44	46	
C	200	300	400	500	600	700	800	900	1000	1100	1200	1300	1400	1500	1600	1700	1800	1900	2000	2100	
Weight (kg)	5.8	6.5	7.3	8	8.7	9.4	10.1	10.9	11.6	12.3	13	13.7	14.5	15.2	15.9	16.6	17.3	18.1	18.8	19.5	

Note 1. Stop positions are determined by the mechanical stoppers at both ends.
 Note 2. The origin is set on the L side at the time of shipment. It can be changed to the R side by parameter setting.
 Note 3. The drawings on this page show the unit with horizontal-right-type cable carrier (RH).
 Note 4. Depending on the stroke and the operating conditions, the cable carrier bending radius might be larger, making it higher than the dimensions shown in the diagram.

MF7 single carriage wall mount model **RW**

Cross-section of optional cable carrier **Cross-section of F-F**

Detail of section G

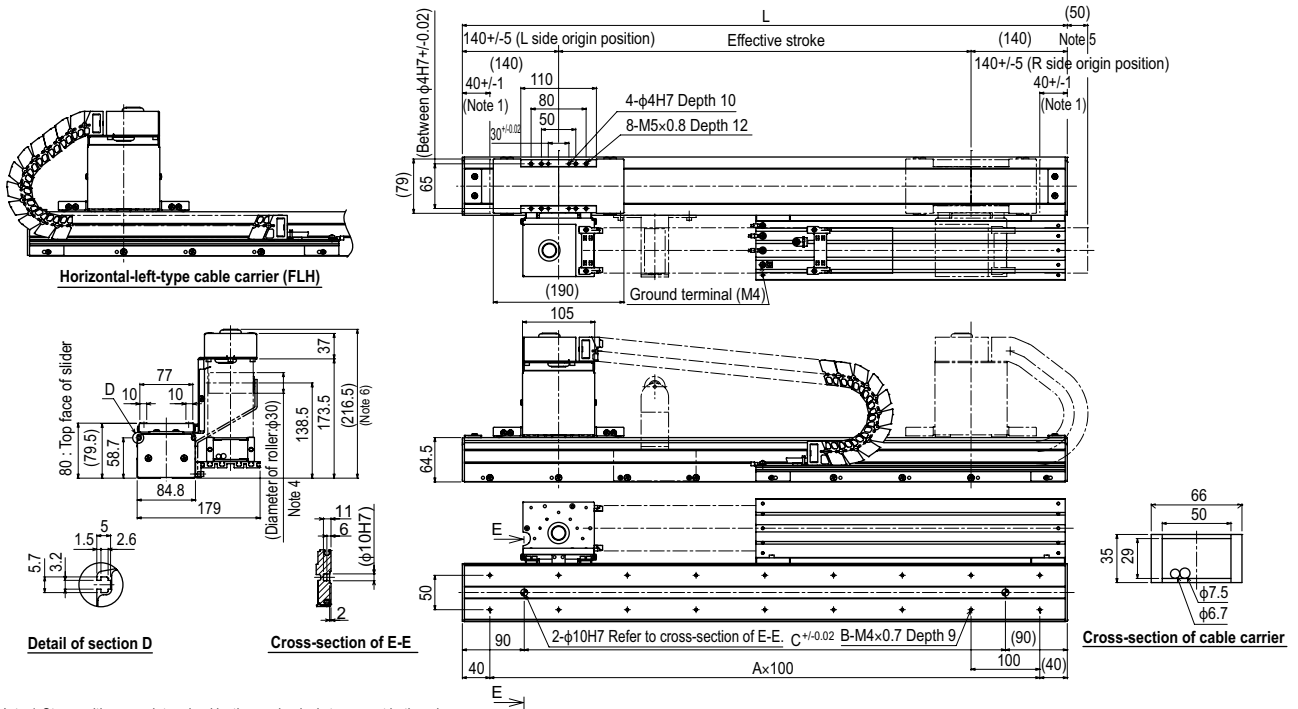
Standard and L types **Standard and M types** **Standard and S types**

Effective stroke	100	200	300	400	500	600	700	800	900	1000	1100	1200	1300	1400	1500	1600	1700	1800	1900	2000	2100
L	380	480	580	680	780	880	980	1080	1180	1280	1380	1480	1580	1680	1780	1880	1980	2080	2180	2280	
A	3	4	5	6	7	8	9	10	11	12	13	14	15	16	17	18	19	20	21	22	
B	8	10	12	14	16	18	20	22	24	26	28	30	32	34	36	38	40	42	44	46	
C	200	300	400	500	600	700	800	900	1000	1100	1200	1300	1400	1500	1600	1700	1800	1900	2000	2100	
D	220	270	320	370	420	470	520	570	620	670	720	770	820	870	920	970	1020	1070	1120	1170	
Weight (kg)	5.8	6.5	7.3	8	8.7	9.4	10.1	10.9	11.6	12.3	13	13.7	14.5	15.2	15.9	16.6	17.3	18.1	18.8	19.5	

Note 1. Stop positions are determined by the mechanical stoppers at both ends.
 Note 2. The origin is set on the R side at the time of shipment. It can be changed to the L side by parameter setting.
 Note 3. Cable carrier's protrusion amount from the mechanical end (For "L" specs.).
 Note 4. Depending on the stroke and the operating conditions, the cable carrier bending radius might be larger, making it higher than the dimensions shown in the diagram.

Articulated robots
YA
Linear conveyor modules
LCM
Single-axis robots
CX
Motor-less single axis actuators
Robonity
Compact single-axis robots
TRANSERO
Single-axis robots
FLIP-X
Linear motor single-axis robots
PHASER
Cartesian robots
XY-X
SCARA robots
YK-X
Pick & place robots
YP-X
CLEAN CONTROLLER INFORMATION

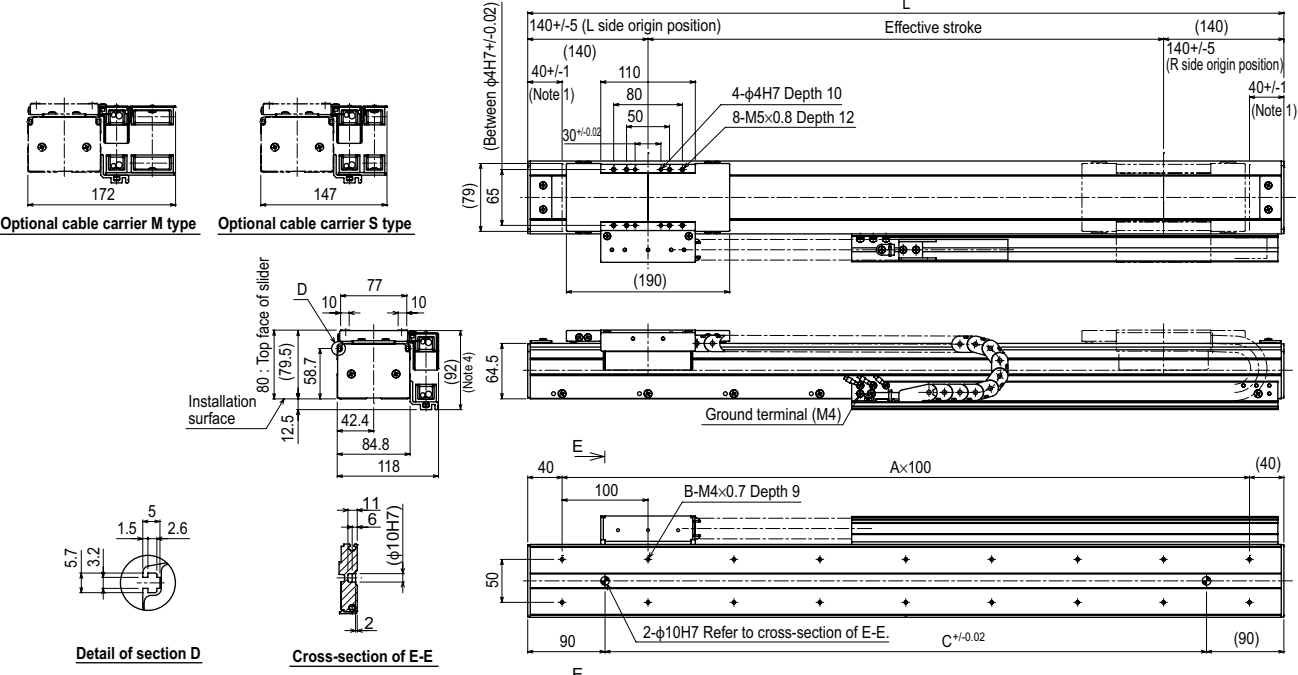
MF7 single carriage horizontal mount model **RH-L** Optional L-type cable carrier



Note 1. Stop positions are determined by the mechanical stoppers at both ends.
 Note 2. The origin is set on the L side at the time of shipment. It can be changed to the R side by parameter setting.
 Note 3. The drawings on this page show the unit with horizontal-right-type cable carrier (RH).
 Note 4. For models with a 3,000mm or longer stroke, a roller is installed to prevent the cable carrier from sagging.
 Note 5. Protrusion is the distance the cable carrier extends from the edge of the unit.
 Note 6. Depending on the stroke and the operating conditions, the cable carrier bending radius might be larger, making it higher than the dimensions shown in the diagram.

Effective stroke	100	200	300	400	500	600	700	800	900	1000	1100	1200	1300	1400	1500	1600	1700	1800	1900	2000	2100	2200	2300	2400	2500	2600	2700	2800	2900	3000	3100	3200	3300	3400	3500	3600	3700	3800	3900	4000
L	380	480	580	680	780	880	980	1080	1180	1280	1380	1480	1580	1680	1780	1880	1980	2080	2180	2280	2380	2480	2580	2680	2780	2880	2980	3080	3180	3280	3380	3480	3580	3680	3780	3880	3980	4080	4180	4280
A	3	4	5	6	7	8	9	10	11	12	13	14	15	16	17	18	19	20	21	22	23	24	25	26	27	28	29	30	31	32	33	34	35	36	37	38	39	40	41	42
B	8	10	12	14	16	18	20	22	24	26	28	30	32	34	36	38	40	42	44	46	48	50	52	54	56	58	60	62	64	66	68	70	72	74	76	78	80	82	84	86
C	200	300	400	500	600	700	800	900	1000	1100	1200	1300	1400	1500	1600	1700	1800	1900	2000	2100	2200	2300	2400	2500	2600	2700	2800	2900	3000	3100	3200	3300	3400	3500	3600	3700	3800	3900	4000	4100
Weight (kg)	5.8	6.5	7.3	8.0	8.7	9.4	10.1	10.9	11.6	12.3	13.0	13.7	14.5	15.2	15.9	16.6	17.3	18.1	18.8	19.5	20.2	20.9	21.7	22.4	23.1	23.8	24.5	25.3	26.0	26.7	27.4	28.1	28.9	29.6	30.3	31.0	31.7	32.5	33.2	33.9

MF7 single carriage horizontal mount model **FRH** Flat type



Note 1. Stop positions are determined by the mechanical stoppers at both ends.
 Note 2. The origin is set on the L side at the time of shipment. It can be changed to the R side by parameter setting.
 Note 3. The drawings on this page show the unit with horizontal-right-type cable carrier (RH).
 Note 4. Depending on the stroke and the operating conditions, the cable carrier bending radius might be larger, making it higher than the dimensions shown in the diagram.

Effective stroke	100	200	300	400	500	600	700	800	900	1000	1100	1200	1300	1400	1500	1600	1700	1800	1900	2000
L	380	480	580	680	780	880	980	1080	1180	1280	1380	1480	1580	1680	1780	1880	1980	2080	2180	2280
A	3	4	5	6	7	8	9	10	11	12	13	14	15	16	17	18	19	20	21	22
B	8	10	12	14	16	18	20	22	24	26	28	30	32	34	36	38	40	42	44	46
C	200	300	400	500	600	700	800	900	1000	1100	1200	1300	1400	1500	1600	1700	1800	1900	2000	2100
Weight (kg)	5.8	6.5	7.3	8	8.7	9.4	10.1	10.9	11.6	12.3	13	13.7	14.5	15.2	15.9	16.6	17.3	18.1	18.8	19.5

Articulated robots
YA

Linear conveyor modules
LCM

Single-axis robots
CX

Motor-less single axis actuator
Robotomy

Compact single-axis robots
TRANSEVO

Single-axis robots
FLIP-X

Linear motor single-axis robots
PHASER

Cartesian robots
XY-X

SCARA robots
YK-X

Pick & place robots
YP-X

CLEAN

CONTROLLER INFORMATION

MF7D double carriage horizontal mount model **H**

Optional cable carrier M type **Optional cable carrier S type**

Detail of section D **Cross-section of E-E**

Note 1. Position of the table slider when returned to the origin.
 Note 2. Stop positions are determined by the mechanical stoppers at both ends.
 Note 3. Depending on the stroke and the operating conditions, the cable carrier bending radius might be larger, making it higher than the dimensions shown in the diagram.

Effective stroke	100	200	300	400	500	600	700	800	900	1000	1100	1200	1300	1400	1500	1600	1700	1800	1900	2000
L	580	680	780	880	980	1080	1180	1280	1380	1480	1580	1680	1780	1880	1980	2080	2180	2280	2380	2480
A	5	6	7	8	9	10	11	12	13	14	15	16	17	18	19	20	21	22	23	24
B	12	14	16	18	20	22	24	26	28	30	32	34	36	38	40	42	44	46	48	50
C	400	500	600	700	800	900	1000	1100	1200	1300	1400	1500	1600	1700	1800	1900	2000	2100	2200	2300
Weight (kg)	9.3	10.2	11.1	12.0	12.9	13.9	14.8	15.7	16.6	17.5	18.5	19.4	20.3	21.2	22.1	23.1	24.0	24.9	25.8	26.7

MF7D double carriage wall mount model **W**

Cross-section of optional cable carrier **Cross-section of F-F**

Detail of section G

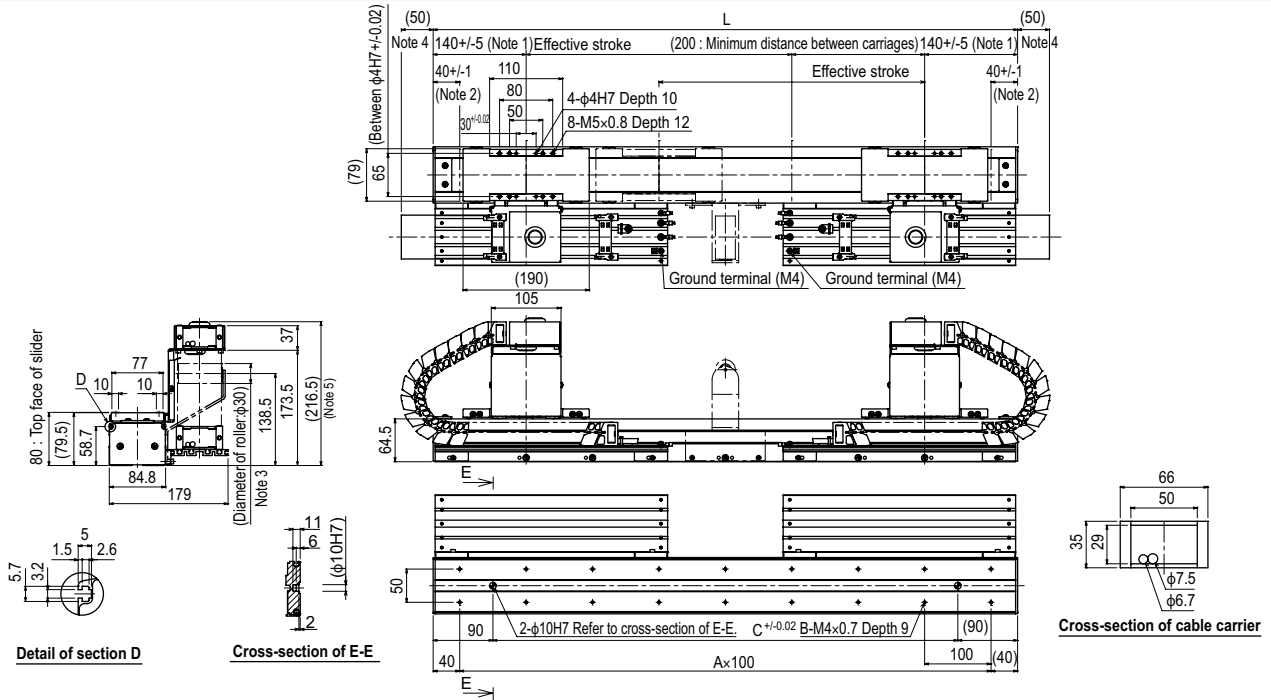
Optional cable carrier L type **Optional cable carrier M type** **Standard and S types**

Note 1. Stop positions are determined by the mechanical stoppers at both ends.
 Note 2. Cable carrier's protrusion amount from the mechanical end.
 Note 3. Depending on the stroke and the operating conditions, the cable carrier bending radius might be larger, making it higher than the dimensions shown in the diagram.

Effective stroke	100	200	300	400	500	600	700	800	900	1000	1100	1200	1300	1400	1500	1600	1700	1800
L	580	680	780	880	980	1080	1180	1280	1380	1480	1580	1680	1780	1880	1980	2080	2180	2280
A	5	6	7	8	9	10	11	12	13	14	15	16	17	18	19	20	21	22
B	12	14	16	18	20	22	24	26	28	30	32	34	36	38	40	42	44	46
C	400	500	600	700	800	900	1000	1100	1200	1300	1400	1500	1600	1700	1800	1900	2000	2100
D	220	270	320	370	420	470	520	570	620	670	720	770	820	870	920	970	1020	1070
Weight (kg)	9.3	10.2	11.1	12.0	12.9	13.9	14.8	15.7	16.6	17.5	18.5	19.4	20.3	21.2	22.1	23.1	24.0	24.9

Articulated robots
YA
Linear conveyor modules
LCM
Single-axis robots
CX
Motor-less single axis actuator
Robonity
Compact single-axis robots
TRANSEVO
Single-axis robots
FLIP-X
Linear motor single-axis robots
PHASER

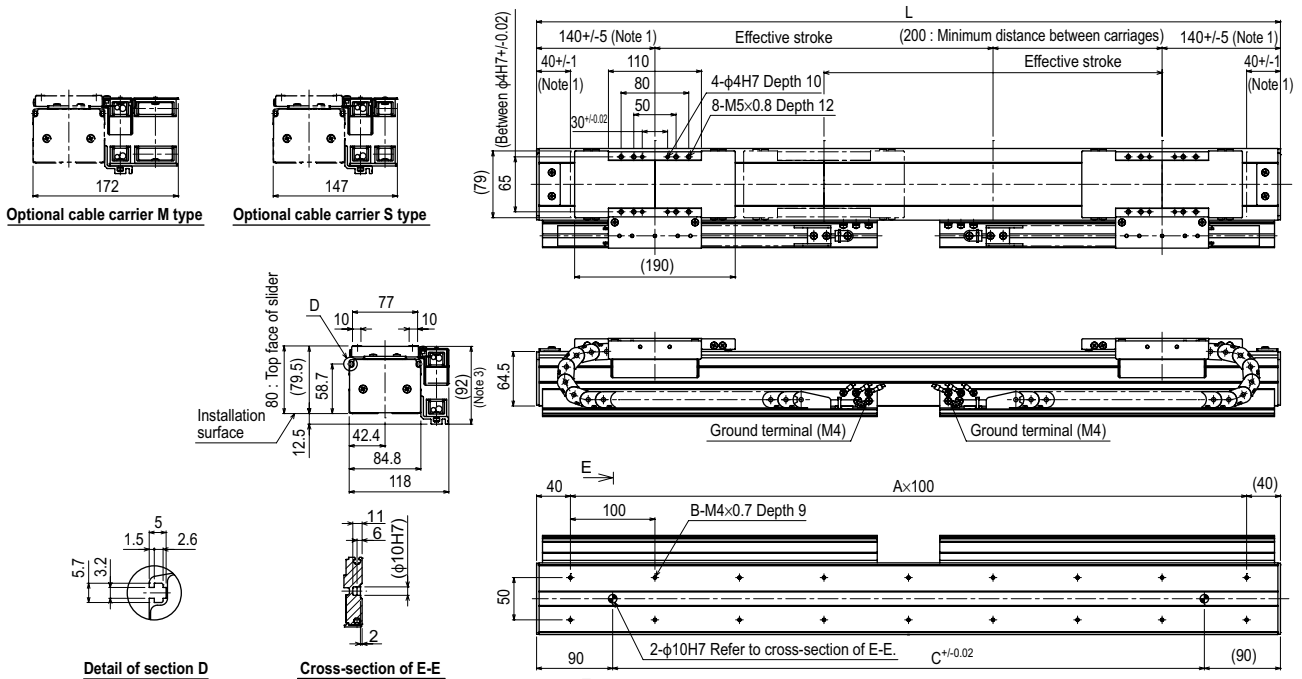
MF7D double carriage horizontal mount model **H-L** Optional L-type cable carrier



Note 1. Position of the table slider when returned to the origin.
 Note 2. Stop positions are determined by the mechanical stoppers at both ends.
 Note 3. For models with a 3,000mm or longer stroke, a roller is installed to prevent the cable carrier from sagging.
 Note 4. Protrusion is the distance the cable carrier extends from the edge of the unit.
 Note 5. Depending on the stroke and the operating conditions, the cable carrier bending radius might be larger, making it higher than the dimensions shown in the diagram.

Effective stroke	100	200	300	400	500	600	700	800	900	1000	1100	1200	1300	1400	1500	1600	1700	1800	1900	2000	2100	2200	2300	2400	2500	2600	2700	2800	2900	3000	3100	3200	3300	3400	3500	3600	3700	3800
L	580	680	780	880	980	1080	1180	1280	1380	1480	1580	1680	1780	1880	1980	2080	2180	2280	2380	2480	2580	2680	2780	2880	2980	3080	3180	3280	3380	3480	3580	3680	3780	3880	3980	4080	4180	4280
A	5	6	7	8	9	10	11	12	13	14	15	16	17	18	19	20	21	22	23	24	25	26	27	28	29	30	31	32	33	34	35	36	37	38	39	40	41	42
B	12	14	16	18	20	22	24	26	28	30	32	34	36	38	40	42	44	46	48	50	52	54	56	58	60	62	64	66	68	70	72	74	76	78	80	82	84	86
C	400	500	600	700	800	900	1000	1100	1200	1300	1400	1500	1600	1700	1800	1900	2000	2100	2200	2300	2400	2500	2600	2700	2800	2900	3000	3100	3200	3300	3400	3500	3600	3700	3800	3900	4000	4100
Weight (kg)	9.3	10.2	11.1	12.0	12.9	13.9	14.8	15.7	16.6	17.5	18.5	19.4	20.3	21.2	22.1	23.1	24.0	24.9	25.8	26.7	27.7	28.6	29.5	30.4	31.3	32.3	33.2	34.1	35.0	35.9	36.9	37.8	38.7	39.6	40.5	41.5	42.4	43.3

MF7D double carriage horizontal mount model **FH** Flat type



Note 1. Position of the table slider when returned to the origin.
 Note 2. Stop positions are determined by the mechanical stoppers at both ends.
 Note 3. Depending on the stroke and the operating conditions, the cable carrier bending radius might be larger, making it higher than the dimensions shown in the diagram.

Effective stroke	100	200	300	400	500	600	700	800	900	1000	1100	1200	1300	1400	1500	1600	1700	1800	1900	2000
L	580	680	780	880	980	1080	1180	1280	1380	1480	1580	1680	1780	1880	1980	2080	2180	2280	2380	2480
A	5	6	7	8	9	10	11	12	13	14	15	16	17	18	19	20	21	22	23	24
B	12	14	16	18	20	22	24	26	28	30	32	34	36	38	40	42	44	46	48	50
C	400	500	600	700	800	900	1000	1100	1200	1300	1400	1500	1600	1700	1800	1900	2000	2100	2200	2300
Weight (kg)	9.3	10.2	11.1	12.0	12.9	13.9	14.8	15.7	16.6	17.5	18.5	19.4	20.3	21.2	22.1	23.1	24.0	24.9	25.8	26.7

Articulated robots
YA

Linear conveyor modules
LCM

Single-axis robots
CX

Motorless single axis actuator
Robonity

Compact single-axis robots
TRANSEVO

Single-axis robots
FLIP-X

Linear motor single-axis robots
PHASER

Cartesian robots
XY-X

SCARA robots
YK-X

Pick & place robots
YP-X

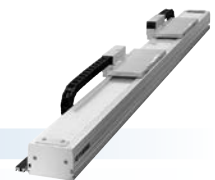
CLEAN

CONTROLLER

INFORMATION

MF15/MF15D

Can be used for wall-mount



Ordering method

Single carriage model

MF15		TSP	
Model MF15: Incremental MF15A: Semi-absolute ^{Note 1}	Cable carrier entry location RH: Horizontal, right LH: Horizontal, left RW: Wall mount, right LW: Wall mount, left	Optional cable carrier for users^{Note 2} No entry: None S: S type M: M type L: L type	Origin position change Horizontal No entry: L side (Standard) Z: R side Wall No entry: R side (Standard) Z: L side
Grease type No entry: Standard GC: Clean	Stroke Horizontal 100 to 4000 (100mm pitch) 100 to 2000 (100mm pitch) Wall	Cable length^{Note 3} 3L: 3.5m 5L: 5m 10L: 10m 3K/5K/10K (Flexible cable) ^{Note 4}	Positioner^{Note 5} TS-P
Driver: Power-supply voltage / Power capacity 110: 100V/200W 210: 200V/200W	LCD monitor No entry: None L: With LCD	I/O selection NP: NPN PN: PNP CC: CC-Link DN: DeviceNet™ EP: EtherNet/IP™ GW: No I/O board ^{Note 6}	

Note 1. For the details of the semi-absolute model, please refer to P.67. RDV-P has an incremental model only.
 Note 2. For models with a 2,100mm or longer stroke, optional L type cable carriers can only be used.
 Note 3. The robot cable is standard cable (3L/5L/10L), but can be changed to flexible cable. See P.732 for details on robot cable.
 Note 4. If a flexible cable is needed for the SR1-P, TS-P, or RDV-P, then select 3K/5K/10K. On the RCX221, the standard cable is a flexible cable, so enter 3L/5L/10L when ordering.
 Note 5. These controllers can be mounted on DIN rails. See P.634 for details.
 Note 6. Select this selection when using the gateway function. For details, see P.96.
 Note. It is possible to provide the model without a cable carrier. To find information on wiring (cable terminals) within the cable carrier see P.742.

Double carriage model

MF15D		Controller	
Model MF15D: Incremental MF15AD: Semi-absolute ^{Note 1}	Installing direction H: Horizontal installation W: Wall mount installation	Optional cable carrier for users^{Note 2} No entry: None S: S type M: M type L: L type	Stroke Horizontal 100 to 3800 (100mm pitch) 100 to 1800 (100mm pitch) Wall
Grease type No entry: Standard GC: Clean	Cable length 3L: 3.5m 5L: 5m 10L: 10m 3K/5K/10K (Flexible cable) ^{Note 4}	Controller RCX320 RCX221 SR1-P (2 units) TS-P (2 units) RDV-P (2 units)	

Note. Specify various controller setting items.

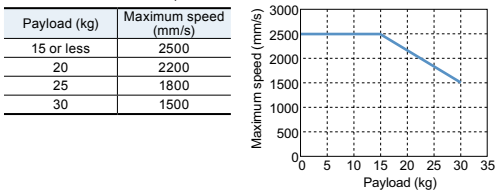
Specifications

Model	MF15	MF15D
Driving method	Steel cored linear motor with falt magnet	
Repeatability (µm)	+/-5	
Scale (µm)	Magnetic type: resolution of 1	
Maximum speed^{Note 2} (mm/sec)	2500	
Rated thrust (N)	54	
Maximum payload^{Note 1} (kg)	30	
Stroke (mm)	Horizontal	100 to 4000 (100mm pitch) / 100 to 3800 (100mm pitch)
	Wall mount	100 to 2000 (100mm pitch) / 100 to 1800 (100mm pitch)
Linear guide	4 rows of circular arc grooves x 2 rail	
Maximum cross-section outside dimensions (mm)	W100 x H80 (except the cable carrier section)	
Total length (mm)	Stroke+260	Stroke+460
Cable length (m)	Standard: 3.5 / Option: 5,10	

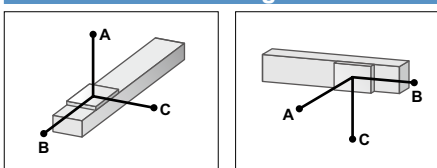
Note. A vertical model (with brake) is not available with the PHASER series. Note. The basic specifications of semi-absolute model are the same as those of the incremental model.

Note 1. Payload per carrier. When the payload exceeds 15kg, please consult our sales office or sales representative.

Note 2. Table of maximum speed



Allowable overhang



Horizontal installation (Unit: mm)

	A	B	C
5kg	3000	3000	915
10kg	2604	1542	481
15kg	2368	1051	340
20kg	1820	600	260
25kg	1470	450	175
30kg	1250	310	145

Wall installation (Unit: mm)

	A	B	C
5kg	865	1880	3060
10kg	410	905	2115
15kg	255	575	1910
20kg	170	410	1780
25kg	120	295	1660
30kg	90	215	1440

Note. Distance from center of slider top to center of gravity of object being carried at a guide service life of 10,000 km.

Static loading moment

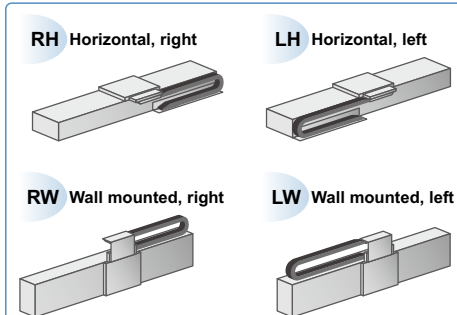
MY	MP	MR
290	291	256

(Unit: N·m)

Controller

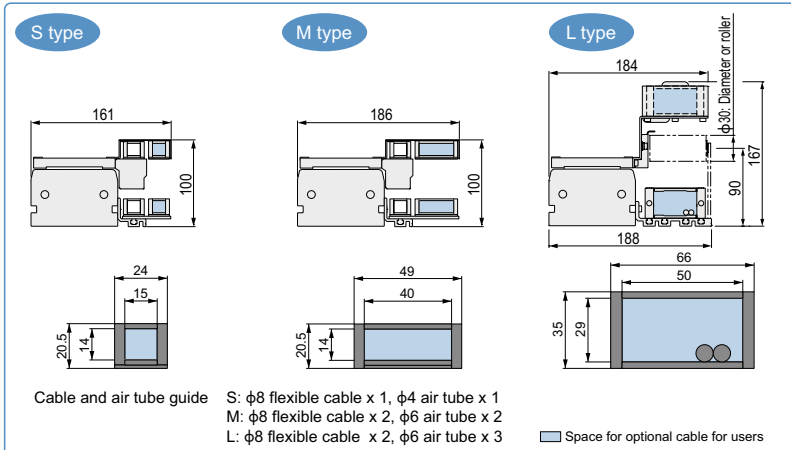
Controller	Operating method
SR1-P10	Programming / I/O point trace / Remote command / Operation using RS-232C communication
RCX320 RCX221 RCX340	I/O point trace / Remote command
TS-P110 TS-P210	Pulse train control
RDV-P210-RBR1	

Cable carrier entry location



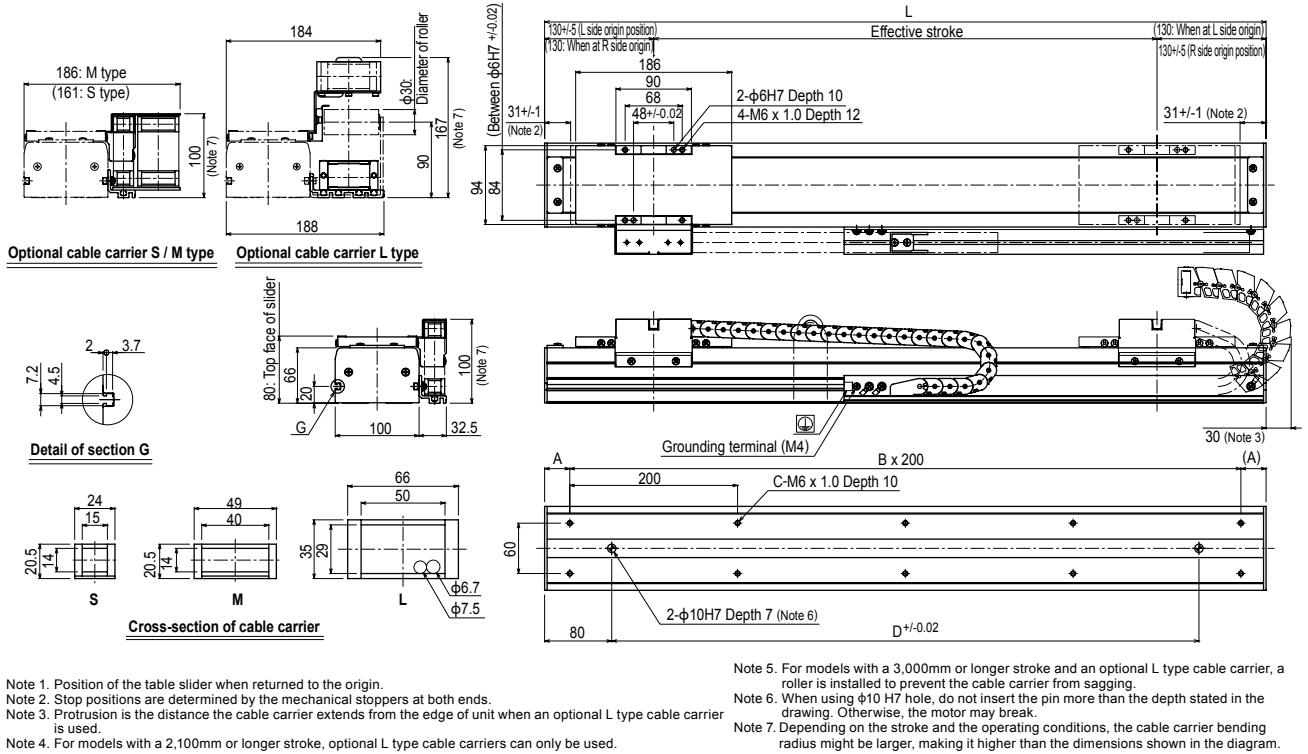
Note. Be sure to install in the direction as specified (in cable carrier take-out direction drawing and various specification drawings) individually. Installation in any other way will cause a failure. For requirement of installation in any way other than the above standard installation, please consult YAMAHA as a special arrangement will be available.

Optional cable carrier for users



Articulated robots
YA
Linear conveyor modules
LCM
Single-axis robots
CX
Motor-less single axis actuator
Robotomy
Compact single-axis robots
TRANSEVO
Single-axis robots
FLIP-X
Linear motor single-axis robots
PHASER
Cartesian robots
XY-X
SCARA robots
YK-X
Pick & place robots
YP-X
CLEAN
CONTROLLER
INFORMATION

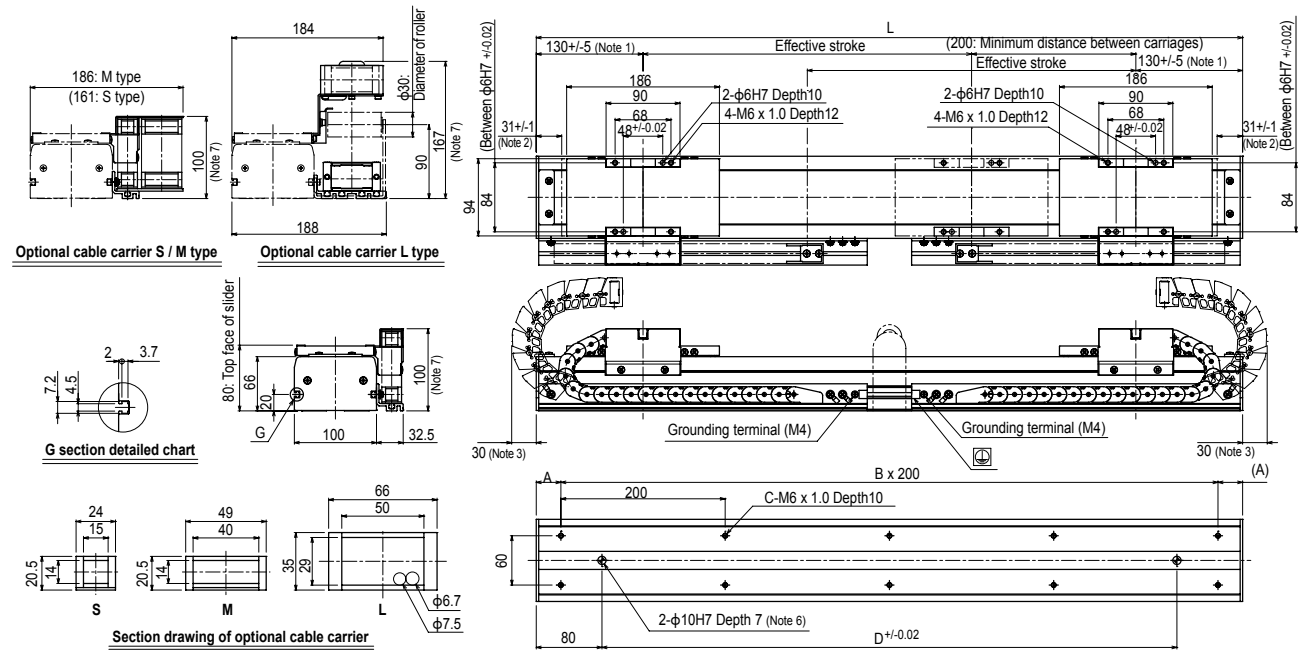
MF15 single carriage horizontal mount model **RH**



Note 1. Position of the table slider when returned to the origin.
 Note 2. Stop positions are determined by the mechanical stoppers at both ends.
 Note 3. Protrusion is the distance the cable carrier extends from the edge of unit when an optional L type cable carrier is used.
 Note 4. For models with a 2,100mm or longer stroke, optional L type cable carriers can only be used.
 Note 5. For models with a 3,000mm or longer stroke and an optional L type cable carrier, a roller is installed to prevent the cable carrier from sagging.
 Note 6. When using φ10 H7 hole, do not insert the pin more than the depth stated in the drawing. Otherwise, the motor may break.
 Note 7. Depending on the stroke and the operating conditions, the cable carrier bending radius might be larger, making it higher than the dimensions shown in the diagram.

Effective stroke	100	200	300	400	500	600	700	800	900	1000	1100	1200	1300	1400	1500	1600	1700	1800	1900	2000	2100	2200	2300	2400	2500	2600	2700	2800	2900	3000	3100	3200	3300	3400	3500	3600	3700	3800	3900	4000		
L	360	460	560	660	760	860	960	1060	1160	1260	1360	1460	1560	1660	1760	1860	1960	2060	2160	2260	2360	2460	2560	2660	2760	2860	2960	3060	3160	3260	3360	3460	3560	3660	3760	3860	3960	4060	4160	4260		
A	80	30	80	30	80	30	80	30	80	30	80	30	80	30	80	30	80	30	80	30	80	30	80	30	80	30	80	30	80	30	80	30	80	30	80	30	80	30	80	30	80	30
B	1	2	2	3	3	4	4	5	5	6	6	7	7	8	8	9	9	10	10	11	11	12	12	13	13	14	14	15	15	16	16	17	17	18	18	19	19	20	20	21	21	
C	4	6	6	8	8	10	10	12	12	14	14	16	16	18	18	20	20	22	22	24	24	26	26	28	28	30	30	32	32	34	34	36	36	38	38	40	40	42	42	44	44	
D	200	300	400	500	600	700	800	900	1000	1100	1200	1300	1400	1500	1600	1700	1800	1900	2000	2100	2200	2300	2400	2500	2600	2700	2800	2900	3000	3100	3200	3300	3400	3500	3600	3700	3800	3900	4000	4100		
Weight (kg)	6.3	7.3	8.3	9.3	10.3	11.3	12.3	13.3	14.3	15.4	16.4	17.4	18.4	19.4	20.4	21.4	22.4	23.4	24.4	25.4	26.4	27.4	28.4	29.4	30.4	31.4	32.4	33.4	34.4	35.4	36.4	37.4	38.4	39.4	40.4	41.4	42.4	43.4	44.4	45.4	46.4	

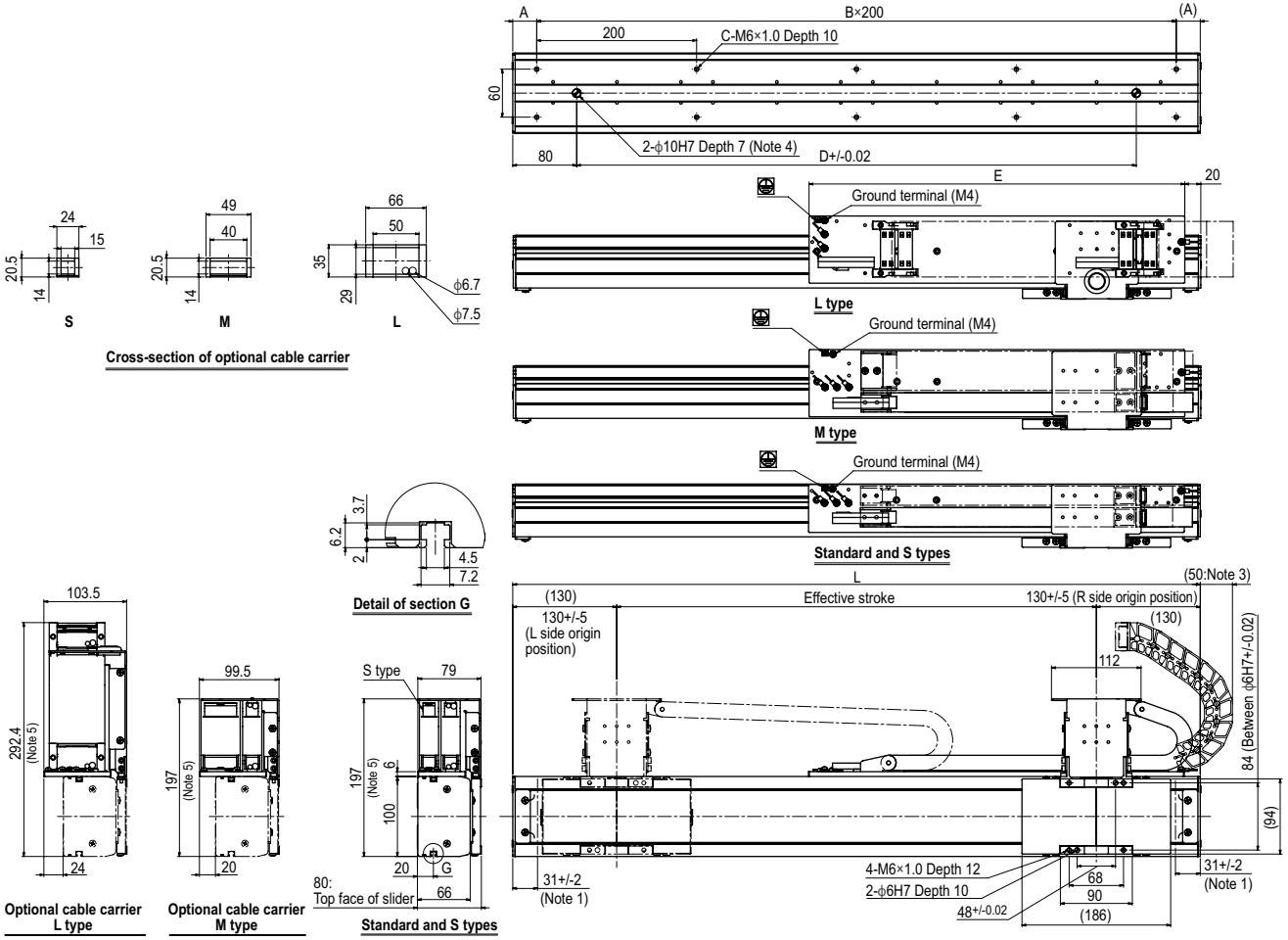
MF15D double carriage horizontal mount model **H**



Note 1. Position of the table slider when returned to the origin.
 Note 2. Stop positions are determined by the mechanical stoppers at both ends.
 Note 3. Protrusion is the distance the cable carrier extends from the edge of unit when an optional L type cable carrier is used.
 Note 4. For models with a 2,100mm or longer stroke, optional L type cable carriers can only be used.
 Note 5. For models with a 3,000mm or longer stroke and an optional L type cable carrier, a roller is installed to prevent the cable carrier from sagging.
 Note 6. When using φ10 H7 hole, do not insert the pin more than the depth stated in the drawing. Otherwise, the motor may break.
 Note 7. Depending on the stroke and the operating conditions, the cable carrier bending radius might be larger, making it higher than the dimensions shown in the diagram.

Effective stroke	100	200	300	400	500	600	700	800	900	1000	1100	1200	1300	1400	1500	1600	1700	1800	1900	2000	2100	2200	2300	2400	2500	2600	2700	2800	2900	3000	3100	3200	3300	3400	3500	3600	3700	3800	3900	4000	4100
L	560	660	760	860	960	1060	1160	1260	1360	1460	1560	1660	1760	1860	1960	2060	2160	2260	2360	2460	2560	2660	2760	2860	2960	3060	3160	3260	3360	3460	3560	3660	3760	3860	3960	4060	4160	4260			
A	80	30	80	30	80	30	80	30	80	30	80	30	80	30	80	30	80	30	80	30	80	30	80	30	80	30	80	30	80	30	80	30	80	30	80	30	80	30	80	30	
B	2	3	3	4	4	5	5	6	6	7	7	8	8	9	9	10	10	11	11	12	12	13	13	14	14	15	15	16	16	17	17	18	18	19	19	20	20	21	21		
C	6	8	8	10	10	12	12	14	14	16	16	18	18	20	20	22	22	24	24	26	26	28	28	30	30	32	32	34	34	36	36	38	38	40	40	42	42	44	44		
D	400	500	600	700	800	900	1000	1100	1200	1300	1400	1500	1600	1700	1800	1900	2000	2100	2200	2300	2400	2500	2600	2700	2800	2900	3000	3100	3200	3300	3400	3500	3600	3700	3800	3900	4000	4100			
Weight (kg)	10.3	11.5	12.6	13.7	14.8	16.0	17.1	18.2	19.3	20.5	21.6	22.7	23.8	24.9	26.1	27.2	28.3	29.5	30.6	31.7	32.8	33.9	35.1	36.2	37.3	38.4	39.5	40.6	41.7	42.8	43.9	45.0	46.1	47.2	48.3	49.4	50.5	51.6	52.7		

MF15 single carriage wall mount model RW

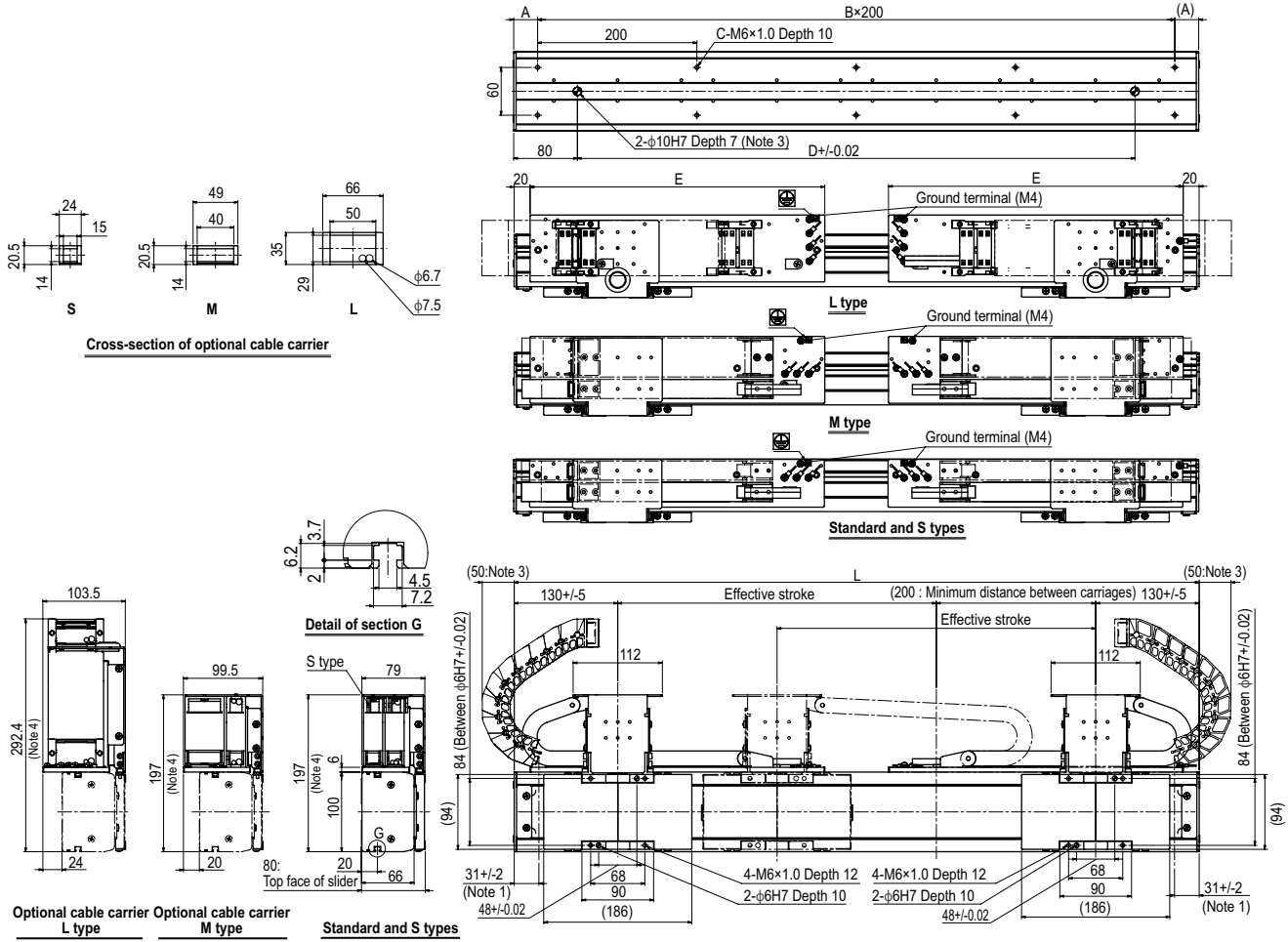


Note 1. Stop positions are determined by the mechanical stoppers at both ends.
 Note 2. The origin is set on the R side at the time of shipment. It can be changed to the L side by parameter setting.
 Note 3. Protrusion is the distance the cable carrier extends from the edge of unit when an optional L type cable carrier is used.
 Note 4. When using φ10 H7 hole, do not insert the pin more than the depth stated in the drawing. Otherwise, the motor may break.
 Note 5. Depending on the stroke and the operating conditions, the cable carrier bending radius might be larger, making it higher than the dimensions shown in the diagram.

Effective stroke	100	200	300	400	500	600	700	800	900	1000	1100	1200	1300	1400	1500	1600	1700	1800	1900	2000
L	360	460	560	660	760	860	960	1060	1160	1260	1360	1460	1560	1660	1760	1860	1960	2060	2160	2260
A	80	30	80	30	80	30	80	30	80	30	80	30	80	30	80	30	80	30	80	30
B	1	2	2	3	3	4	4	5	5	6	6	7	7	8	8	9	9	10	10	11
C	4	6	6	8	8	10	10	12	12	14	14	16	16	18	18	20	20	22	22	24
D	200	300	400	500	600	700	800	900	1000	1100	1200	1300	1400	1500	1600	1700	1800	1900	2000	2100
E	220	270	320	370	420	470	520	570	620	670	720	770	820	870	920	970	1020	1070	1120	1170
Weight (kg)	6.3	7.3	8.3	9.3	10.3	11.3	12.3	13.3	14.3	15.4	16.4	17.4	18.4	19.4	20.4	21.4	22.4	23.4	24.4	25.4

MF15D double carriage wall mount model

W



Note 1. Stop positions are determined by the mechanical stoppers at both ends.
 Note 2. Protrusion is the distance the cable carrier extends from the edge of unit when an optional L type cable carrier is used.
 Note 3. When using φ10 H7 hole, do not insert the pin more than the depth stated in the drawing. Otherwise, the motor may break.
 Note 4. Depending on the stroke and the operating conditions, the cable carrier bending radius might be larger, making it higher than the dimensions shown in the diagram.

Effective stroke	100	200	300	400	500	600	700	800	900	1000	1100	1200	1300	1400	1500	1600	1700	1800
L	560	660	760	860	960	1060	1160	1260	1360	1460	1560	1660	1760	1860	1960	2060	2160	2260
A	80	30	80	30	80	30	80	30	80	30	80	30	80	30	80	30	80	30
B	2	3	3	4	4	5	5	6	6	7	7	8	8	9	9	10	10	11
C	6	8	8	10	10	12	12	14	14	16	16	18	18	20	20	22	22	24
D	400	500	600	700	800	900	1000	1100	1200	1300	1400	1500	1600	1700	1800	1900	2000	2100
E	220	270	320	370	420	470	520	570	620	670	720	770	820	870	920	970	1020	1070
Weight (kg)	10.3	11.5	12.6	13.7	14.8	16.0	17.1	18.2	19.3	20.5	21.6	22.7	23.8	25.0	26.1	27.2	28.3	29.5

Articulated robots YA
 Linear conveyor modules LCM
 Single-axis robots CX
 Motor-less single axis actuator Robomity
 Compact single-axis robots TRANSERO
 Single-axis robots FLIP-X
 Linear motor single-axis robots PHASER
 Cartesian robots XY-X
 SCARA robots YK-X
 Pick & place robots YP-X
 CLEAN
 CONTROLLER
 INFORMATION

MF20/MF20D

Can be used for wall-mount



Ordering method

Single carriage model

MF20

Model	Cable carrier entry location	Optional cable carrier for users ^{Note 2}	Origin position change	Grease type	Stroke	Cable length
MF20: Incremental MF20A: Semi-absolute ^{Note 1}	RH: Horizontal, right LH: Horizontal, left RW: Wall mount, right LW: Wall mount, left	No entry: None S: S type M: M type L: L type	Horizontal No entry: L side (Standard) Z: R side Wall No entry: R side (Standard) Z: L side	No entry: Standard GC: Clean	150 to 4050 (100mm pitch)	3L: 3.5m 5L: 5m 10L: 10m 3K/5K/10K (Flexible cable) ^{Note 4}

TSP

Positioner ^{Note 5}	Driver: Power supply voltage / Power capacity	Regenerative unit	LCD monitor	I/O selection
TS-P	110: 100V/200W 210: 200V/200W	R: With RGT	No entry: None L: With LCD	N: NPN PN: PNP CC: CC-Link DN: DeviceNet™ EP: EtherNet/IP™ GW: No I/O board ^{Note 6}

SR1-P 10

Controller	Driver: Power capacity	Usable for CE	Regenerative unit	I/O selection
	10: 200W	No entry: Standard E: CE marking	R: With RGT1	N: NPN P: PNP CC: CC-Link DN: DeviceNet™ PB: PROFIBUS

RDV-P 2 10 RBR1

Driver	Power supply voltage	Driver: Power capacity	Regenerative unit
	2: AC200V	10: 200W or less	

- Note 1. For the details of the semi-absolute model, please refer to P.67. RDV-P has an incremental model only.
- Note 2. For models with a 2,050mm or longer stroke, optional L type cable carriers can only be used.
- Note 3. The robot cable is standard cable (3L/5L/10L), but can be changed to flexible cable. See P.732 for details on robot cable.
- Note 4. If a flexible cable is needed for the SR1-P, TS-P, or RDV-P, then select 3K/5K/10K. On the RCX221, the standard cable is a flexible cable, so enter 3L/5L/10L when ordering.
- Note 5. These controllers can be mounted on DIN rails. See P.634 for details.
- Note 6. Select this selection when using the gateway function. For details, see P.96.
- Note. It is possible to provide the model without a cable carrier. To find information on wiring (cable terminals) within the cable carrier see P.742.

Double carriage model

MF20D

Model	Installing direction	Optional cable carrier for users ^{Note 2}	Grease type	Stroke	Cable length	Controller
MF20D: Incremental MF20AD: Semi-absolute ^{Note 1}	H: Horizontal installation W: Wall mount installation	No entry: None S: S type M: M type L: L type	No entry: Standard GC: Clean	150 to 3850 (100mm pitch)	3L: 3.5m 5L: 5m 10L: 10m 3K/5K/10K (Flexible cable) ^{Note 4}	RCX320 RCX221 SR1-P (2 units) TS-P (2 units) RDV-P (2 units)

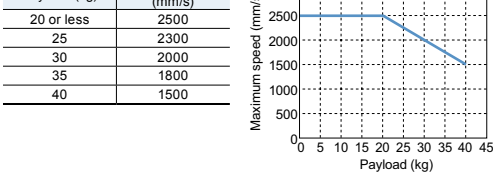
Note. Specify various controller setting items.

Specifications

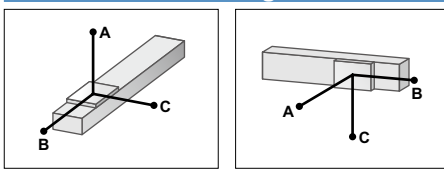
Model	MF20	MF20D
Driving method	Steel cored linear motor with fall magnet	
Repeatability (µm)	+/-5	
Scale (µm)	Magnetic type: resolution of 1	
Maximum speed ^{Note 2} (mm/sec)	2500	
Rated thrust (N)	86	
Maximum payload ^{Note 1} (kg)	40	
Stroke (mm)	150 to 4050 (100mm pitch)	150 to 3850 (100mm pitch)
Linear guide	4 rows of circular arc grooves x 2 rail W150 x H80	
Maximum cross-section outside dimensions (mm)	(except the cable carrier section)	
Total length (mm)	Stroke+260	Stroke+460
Cable length (m)	Standard: 3.5 / Option: 5.10	

Note. A vertical model (with brake) is not available with the PHASER series.
Note. The basic specifications of semi-absolute model are the same as those of the incremental model.

Note 1. Payload per carrier. When the payload exceeds 20kg, please consult our sales office or sales representative.
Note 2. Table of maximum speed



Allowable overhang



	Horizontal installation (Unit: mm)			Wall installation (Unit: mm)			
	A	B	C	A	B	C	
10kg	3156	1747	1196	10kg	1220	1320	2540
15kg	2811	1176	883	15kg	870	850	2200
20kg	2679	890	717	20kg	670	610	2030
25kg	2190	720	505	25kg	485	400	1280
30kg	1830	605	370	30kg	350	325	1050
35kg	1580	525	275	35kg	265	270	890
40kg	1390	465	225	40kg	235	230	765

Note. Distance from center of slider top to center of gravity of object being carried at a guide service life of 10,000 km.

Static loading moment

(Unit: N·m)		
MY	MP	MR
373	373	328

Controller

Controller	Operating method
SR1-P10-R	Programming / I/O point trace / Remote command / Operation using RS-232C communication
RCX320-R RCX221-R RCX340	
TS-P110-R	I/O point trace / Remote command
TS-P210-R	
RDV-P210-RBR1	Pulse train control

Cable carrier entry location

RH Horizontal, right **LH Horizontal, left**

RW Wall mounted, right **LW Wall mounted, left**

Note. Be sure to install in the direction as specified (in cable carrier take-out direction drawing and various specification drawings) individually. Installation in any other way will cause a failure. For requirement of installation in any way other than the above standard installation, please consult YAMAHA as special arrangement will be available.

Optional cable carrier for users

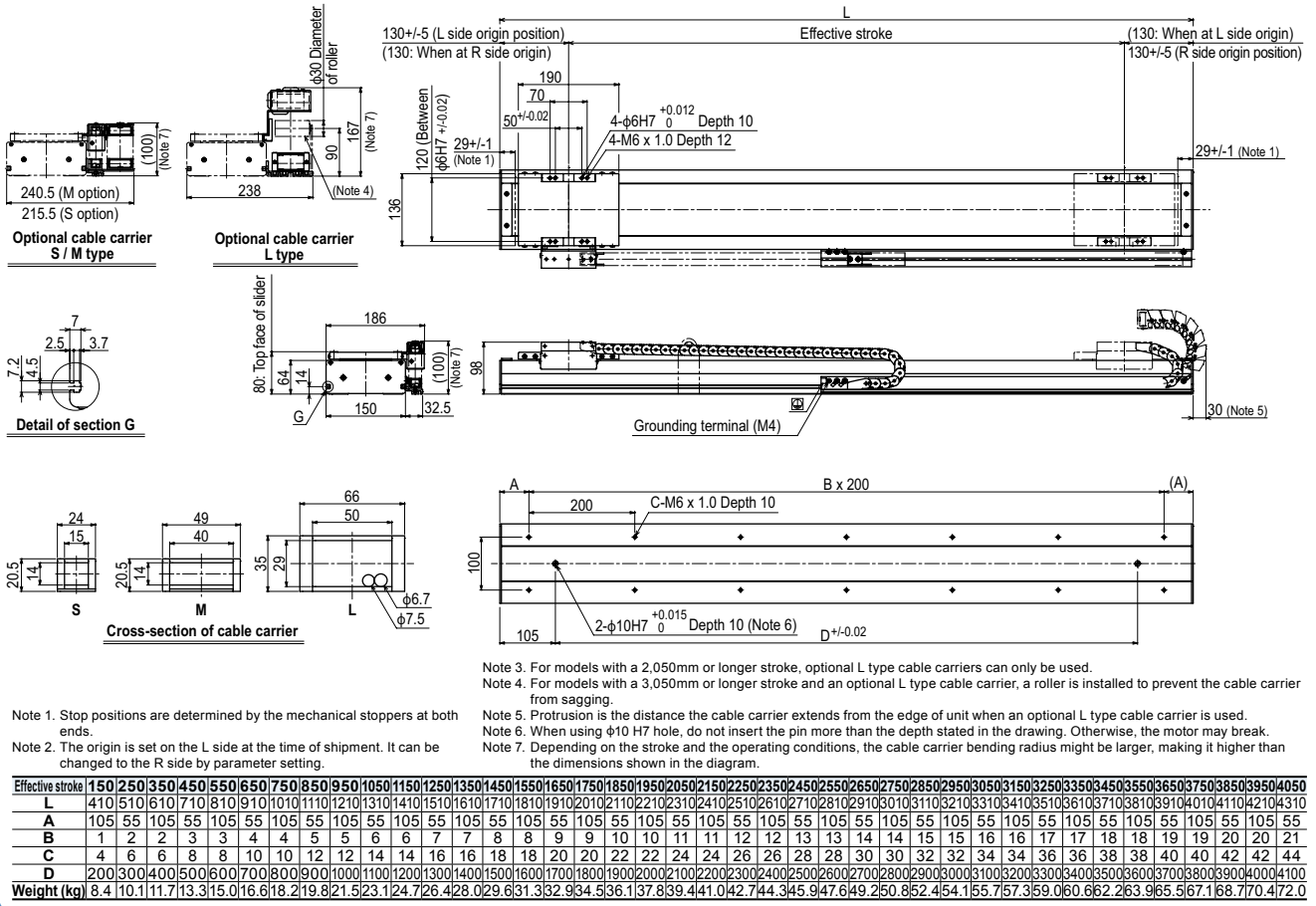
S type **M type** **L type**

Cable and air tube guide

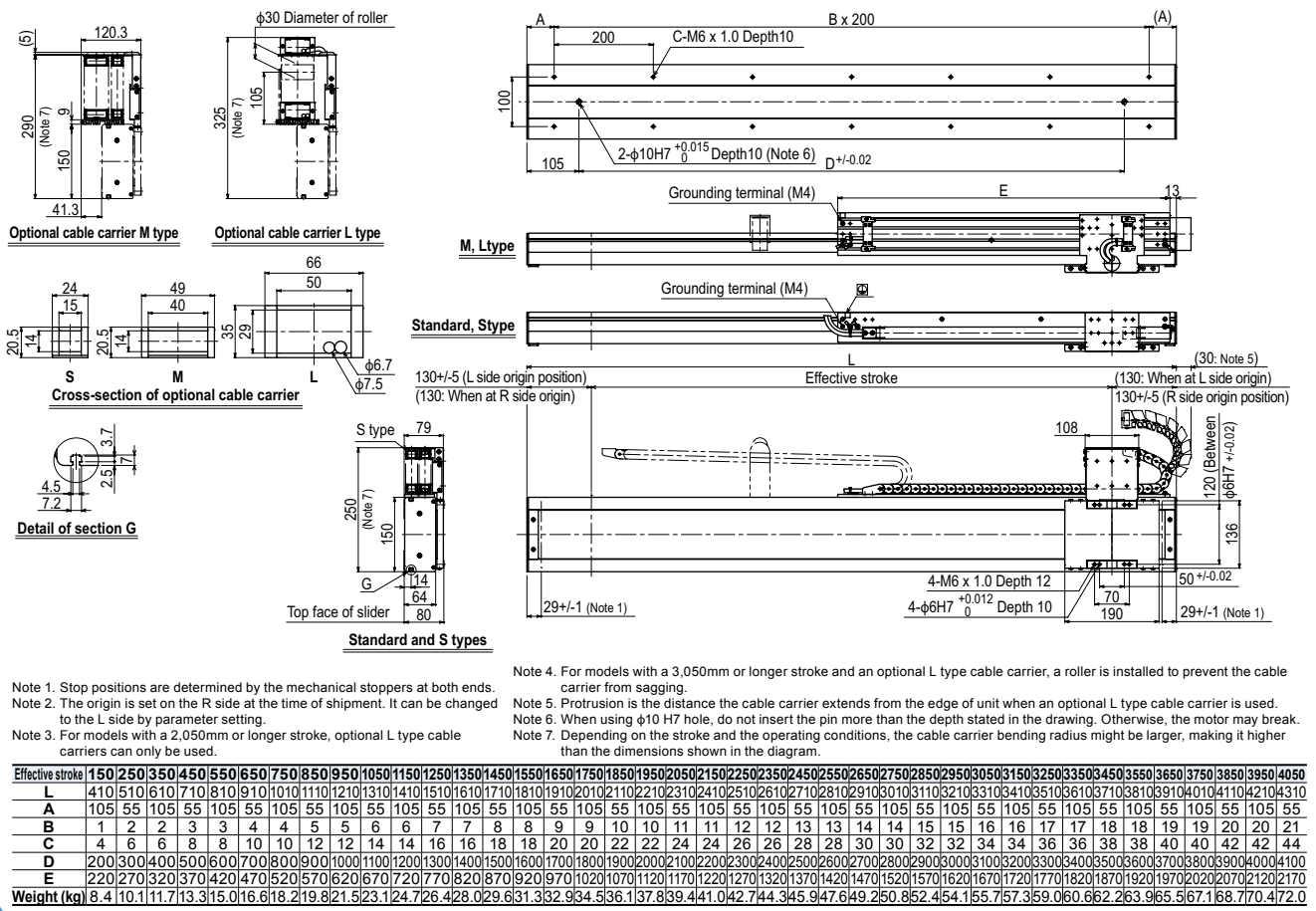
S: φ8 flexible cable x 1, φ4 air tube x 1
M: φ8 flexible cable x 2, φ6 air tube x 2
L: φ8 flexible cable x 2, φ6 air tube x 3

Space for optional cable for users

MF20 single carriage horizontal mount model **RH**

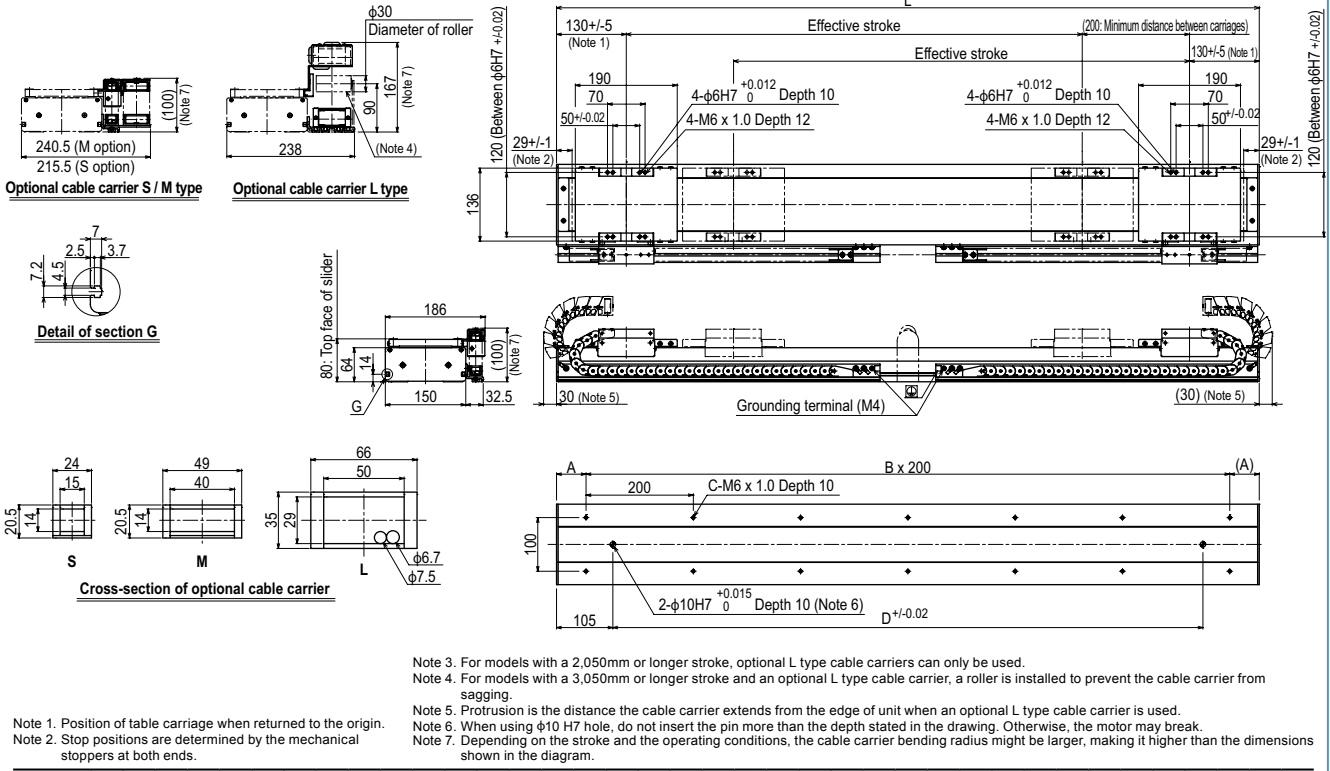


MF20 single carriage wall mount model **RW**



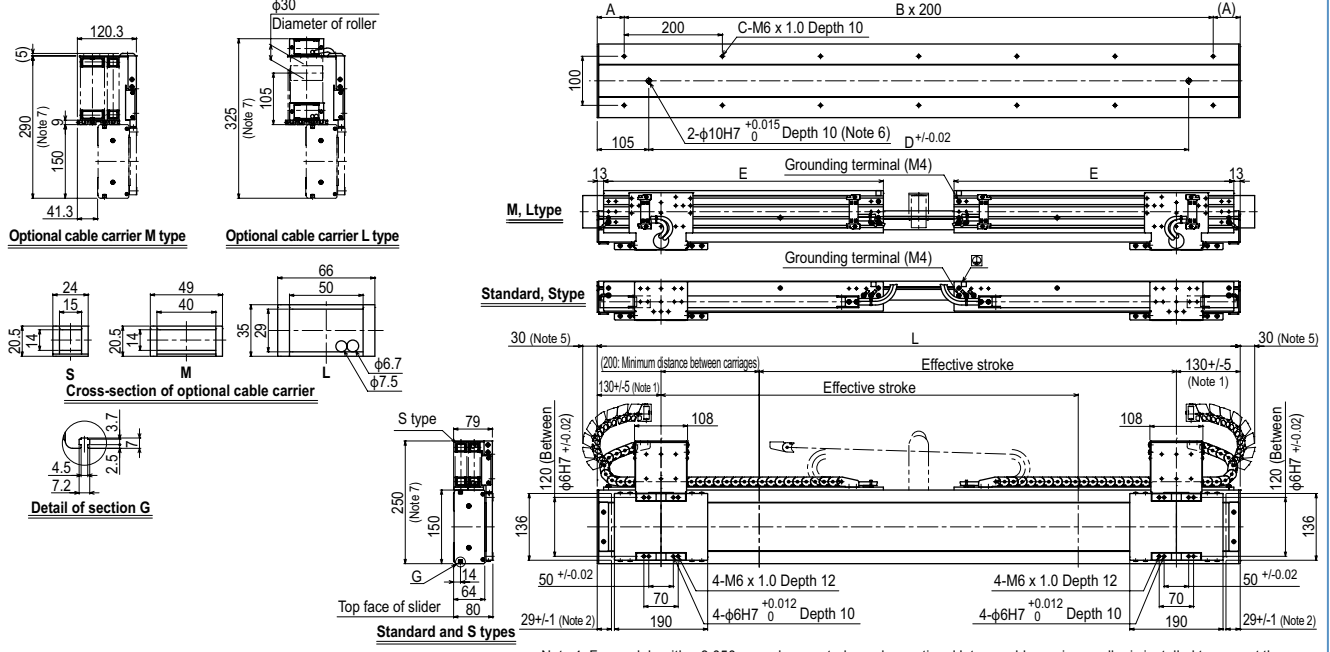
Articulated robots
YA
Linear conveyor modules
LCM
Single-axis robots
CX
Motor-less single axis actuator
Robonity
Compact single-axis robots
TRANSEVO
Single-axis robots
FLIP-X
Linear motor single-axis robots
PHASER
Cartesian robots
XY-X
SCARA robots
YK-X
Pick & place robots
YP-X
CLEAN CONTROLLER INFORMATION

MF20D double carriage horizontal mount model H



Effective stroke	150	250	350	450	550	650	750	850	950	1050	1150	1250	1350	1450	1550	1650	1750	1850	1950	2050	2150	2250	2350	2450	2550	2650	2750	2850	2950	3050	3150	3250	3350	3450	3550	3650	3750	3850		
L	610	710	810	910	1010	1110	1210	1310	1410	1510	1610	1710	1810	1910	2010	2110	2210	2310	2410	2510	2610	2710	2810	2910	3010	3110	3210	3310	3410	3510	3610	3710	3810	3910	4010	4110	4210	4310		
A	105	55	105	55	105	55	105	55	105	55	105	55	105	55	105	55	105	55	105	55	105	55	105	55	105	55	105	55	105	55	105	55	105	55	105	55	105	55	105	55
B	2	3	3	4	4	5	5	6	6	7	7	8	8	9	9	10	10	11	11	12	12	13	13	14	14	15	15	16	16	17	17	18	18	19	19	20	20	21	21	
C	6	8	8	10	10	12	12	14	14	16	16	18	18	20	20	22	22	24	24	26	26	28	28	30	30	32	32	34	34	36	36	38	38	40	40	42	42	44	44	
D	400	500	600	700	800	900	1000	1100	1200	1300	1400	1500	1600	1700	1800	1900	2000	2100	2200	2300	2400	2500	2600	2700	2800	2900	3000	3100	3200	3300	3400	3500	3600	3700	3800	3900	4000	4100		
Weight (kg)	14.9	16.6	18.3	20.0	21.7	23.5	25.2	26.9	28.6	30.3	32.0	33.7	35.4	37.1	38.8	40.5	42.2	43.9	45.6	47.3	49.0	50.7	52.4	54.1	55.8	57.5	59.2	60.9	62.6	64.3	66.0	67.7	69.4	71.1	72.8	74.5	76.2	77.9		

MF20D double carriage wall mount model W



Effective stroke	150	250	350	450	550	650	750	850	950	1050	1150	1250	1350	1450	1550	1650	1750	1850	1950	2050	2150	2250	2350	2450	2550	2650	2750	2850	2950	3050	3150	3250	3350	3450	3550	3650	3750	3850		
L	610	710	810	910	1010	1110	1210	1310	1410	1510	1610	1710	1810	1910	2010	2110	2210	2310	2410	2510	2610	2710	2810	2910	3010	3110	3210	3310	3410	3510	3610	3710	3810	3910	4010	4110	4210	4310		
A	105	55	105	55	105	55	105	55	105	55	105	55	105	55	105	55	105	55	105	55	105	55	105	55	105	55	105	55	105	55	105	55	105	55	105	55	105	55	105	55
B	2	3	3	4	4	5	5	6	6	7	7	8	8	9	9	10	10	11	11	12	12	13	13	14	14	15	15	16	16	17	17	18	18	19	19	20	20	21	21	
C	6	8	8	10	10	12	12	14	14	16	16	18	18	20	20	22	22	24	24	26	26	28	28	30	30	32	32	34	34	36	36	38	38	40	40	42	42	44	44	
D	400	500	600	700	800	900	1000	1100	1200	1300	1400	1500	1600	1700	1800	1900	2000	2100	2200	2300	2400	2500	2600	2700	2800	2900	3000	3100	3200	3300	3400	3500	3600	3700	3800	3900	4000	4100		
E	220	270	320	370	420	470	520	570	620	670	720	770	820	870	920	970	1020	1070	1120	1170	1220	1270	1320	1370	1420	1470	1520	1570	1620	1670	1720	1770	1820	1870	1920	1970	2020	2070		
Weight (kg)	14.9	16.6	18.3	20.0	21.7	23.5	25.2	26.9	28.6	30.3	32.0	33.7	35.4	37.1	38.8	40.5	42.2	43.9	45.6	47.3	49.0	50.7	52.4	54.1	55.8	57.5	59.2	60.9	62.6	64.3	66.0	67.7	69.4	71.1	72.8	74.5	76.2	77.9		

MF30/MF30D

Can be used for wall-mount



Ordering method

Single carriage model

MF30

Model MF30: Incremental MF30D: Semi-absolute ^{Note 1}	Cable carrier entry location RH: Horizontal, right LH: Horizontal, left RW: Wall mount, right LW: Wall mount, left	Optional cable carrier for users^{Note 2} No entry: None S: S type M: M type L: L type	Origin position change Horizontal: No entry: L side (Standard) Z: R side Wall: No entry: R side (Standard) Z: L side	Grease type No entry: Standard GC: Clean	Stroke 100 to 4000 (100mm pitch)	Cable length^{Note 3} 3L: 3.5m 5L: 5m 10L: 10m 3K/5K/10K (Flexible cable) ^{Note 4}
---	---	---	---	---	--	--

TSP 220 R

Positioner^{Note 5} TS-P	Driver: Power-supply voltage / Power capacity 220: 200V/400 to 600W	Regenerative unit R: With RGT	LCD monitor No entry: None L: With LCD	I/O selection NP: NPN PN: PNP CC: CC-Link DN: DeviceNet™ EP: EtherNet/IP™ GW: No I/O board ^{Note 6}
--	---	---	---	---

- Note 1. For the details of the semi-absolute model, please refer to P.67. RDV-P has an incremental model only.
 Note 2. For models with a stroke of 2100 or longer (2050 or longer for double carriage models), only the optional L type cable carriers can be used.
 Note 3. The robot cable is standard cable (3L/5L/10L), but can be changed to flexible cable. See P.732 for details on robot cable.
 Note 4. If a flexible cable is needed for the SR1-P, TS-P, or RDV-P, then select 3K/5K/10K. On the RCX221HP, the standard cable is a flexible cable, so enter 3L/5L/10L when ordering.
 Note 5. These controllers can be mounted on DIN rails. See P.634 for details.
 Note 6. Select this selection when using the gateway function. For details, see P.96.
 Note. It is possible to provide the model without a cable carrier. To find information on wiring (cable terminals) within the cable carrier see P.742.

Double carriage model

MF30D

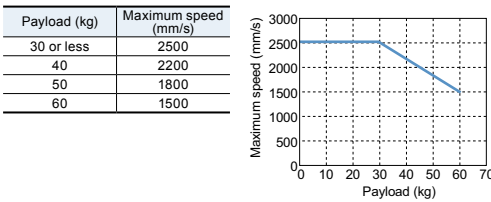
Model MF30D: Incremental MF30AD: Semi-absolute ^{Note 1}	Installing direction H: Horizontal installation W: Wall mount installation	Optional cable carrier for users^{Note 2} No entry: None S: S type M: M type L: L type	Grease type No entry: Standard GC: Clean	Stroke 150 to 3750 (100mm pitch)	Cable length 3L: 3.5m 5L: 5m 10L: 10m 3K/5K/10K (Flexible cable) ^{Note 4}	Controller RCX320 RCX221HP SR1-P (2 units) TS-P (2 units) RDV-P (2 units)
---	---	---	---	--	---	---

Note. Specify various controller setting items.

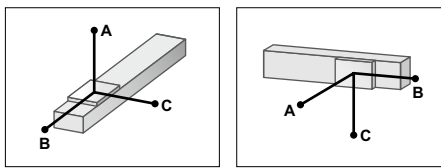
Specifications

Model	MF30	MF30D
Driving method	Steel cored linear motor with falt magnet	
Repeatability (μm)	+/-5	
Scale (μm)	Magnetic type: resolution of 1	
Maximum speed^{Note 2} (mm/sec)	2500	
Rated thrust (N)	125	
Maximum payload^{Note 1} (kg)	60	
Stroke (mm)	100 to 4000 (100mm pitch)	150 to 3750 (100mm pitch)
Linear guide	4 rows of circular arc grooves x 2 rail	
Maximum cross-section outside dimensions (mm)	W150 x H80 (except the cable carrier section)	
Total length (mm)	Stroke+310	Stroke+560
Cable length (m)	Standard: 3.5 / Option: 5,10	

- Note. A vertical model (with brake) is not available with the PHASER series.
 Note. The basic specifications of semi-absolute model are the same as those of the incremental model.
 Note 1. Payload per carrier. When the payload exceeds 30kg, please consult our sales office or sales representative.
 Note 2. Table of maximum speed



Allowable overhang



	Horizontal installation (Unit: mm)			Wall installation (Unit: mm)		
	A	B	C	A	B	C
10kg	3364	2485	1284	1290	1320	2730
20kg	2298	1265	694	650	610	1750
30kg	2060	859	507	430	360	1460
40kg	1570	600	310	205	230	610
50kg	1265	400	180	145	175	470
60kg	1070	350	135	105	140	380

Note. Distance from center of slider top to center of gravity of object being carried at a guide service life of 10,000 km.

Static loading moment

MY	MP	MR
373	373	328

(Unit: N-m)

Controller

Controller	Operating method
SR1-P20-R	Programming / I/O point trace / Remote command / Operation using RS-232C communication
RCX320-R RCX221HP-R RCX340	I/O point trace / Remote command
TS-P220-R	Pulse train control
RDV-P220-RBR1	

Cable carrier entry location

RH Horizontal, right	LH Horizontal, left
RW Wall mounted, right	LW Wall mounted, left

Note. Be sure to install in the direction as specified (in cable carrier take-out direction drawing and various specification drawings) individually. Installation in any other way will cause a failure. For requirement of installation in any way other than the above standard installation, please consult YAMAHA as special arrangement will be available.

Optional cable carrier for users

S type	M type	L type
---------------	---------------	---------------

Cable and air tube guide

S: φ8 flexible cable x 1, φ4 air tube x 1
 M: φ8 flexible cable x 2, φ6 air tube x 2
 L: φ8 flexible cable x 2, φ6 air tube x 3

Space for optional cable for users

Controller

SR1-P ▶ 652 **RCX320 ▶ 660** **RCX221 ▶ 670** **TS-P ▶ 626** **RDV-P ▶ 640**

MF75/MF75D



Ordering method

Single carriage model

MF75

Model MF75: Incremental MF75A: Semi-absolute ^{Note 1}	Cable carrier entry location RH: Horizontal, right LH: Horizontal, left	Origin position change No entry: L side (Standard) Z: R side	Grease type No entry: Standard GC: Clean	Stroke 1000 to 4000 (100mm pitch)	Cable length ^{Note 2} 3L: 3.5m 5L: 5m 10L: 10m 3K/5K/10K (Flexible cable) ^{Note 3}	TSP Positioner ^{Note 4} TS-P	220 Driver: Power-supply voltage / Power capacity 220: 200V/400 to 600W	R Regenerative unit R: With RGU-2	LCD monitor No entry: None L: With LCD	I/O selection NP: NPN PN: PNP CC: CC-Link DN: DeviceNet™ EP: EtherNet/IP™ GW: No I/O board ^{Note 5}
---	--	---	---	---	---	---	---	---	---	---

SR1-P **20** **R**

Controller	Driver: Power capacity 20: 400 to 600W	Usable for CE No entry: Standard E: CE marking	Regenerative unit R: With RGU-2	I/O selection N: NPN P: PNP CC: CC-Link DN: DeviceNet™ PB: PROFIBUS
-------------------	--	---	---	---

RDV-P **2** **25** **RBR2**

Driver	Power-supply voltage 2: AC200V	Driver: Power capacity 25: 750W or less	Regenerative unit
---------------	--	---	--------------------------

- Note 1. For the details of the semi-absolute model, please refer to P.67. RDV-P has an incremental model only.
- Note 2. The robot cable is standard cable (3L/5L/10L), but can be changed to flexible cable. See P.732 for details on robot cable.
- Note 3. If a flexible cable is needed for the SR1-P, TS-P, or RDV-P, then select 3K/5K/10K. On the RCX221HP, the standard cable is a flexible cable, so enter 3L/5L/10L when ordering.
- Note 4. These controllers can be mounted on DIN rails. See P.634 for details.
- Note 5. Select this selection when using the gateway function. For details, see P.96.
- Note. It is possible to provide the model without a cable carrier. To find information on wiring (cable terminals) within the cable carrier see P.742.

Double carriage model

MF75D - **H**

Model MF75D: Incremental MF75AD: Semi-absolute ^{Note 1}	Installing direction H: Horizontal installation	Grease type No entry: Standard GC: Clean	Stroke 680 to 3680 (100mm pitch)	Cable length 3L: 3.5m 5L: 5m 10L: 10m 3K/5K/10K (Flexible cable) ^{Note 3}	Controller RCX320 RCX221HP SR1-P (2 units) TS-P (2 units) RDV-P (2 units)
---	---	---	--	---	---

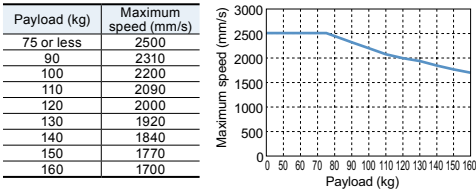
Note. Specify various controller setting items.

Specifications ^{Note}

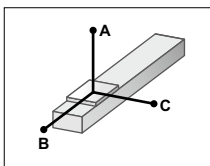
Model	MF75	MF75D
Driving method	Steel cored linear motor with falt magnet	
Repeatability (µm)	+/-5	
Scale (µm)	Magnetic type: resolution of 1	
Maximum speed ^{Note 2} (mm/sec)	2500	
Rated thrust (N)	260	
Maximum payload ^{Note 1} (kg)	160	
Stroke (mm)	1000 to 4000 (100mm pitch)	680 to 3680 (100mm pitch)
Linear guide	4 rows of circular arc grooves x 2 rail	
Maximum cross-section outside dimensions (mm)	W210xH100 (except the cable carrier section)	
Total length (mm)	Stroke+360	Stroke+680
Cable length (m)	Standard: 3.5 / Option: 5,10	

Note. A vertical model (with brake) is not available with the PHASER series.
Note. The basic specifications of semi-absolute model are the same as those of the incremental model.
Note 1. Payload per carrier. When the payload exceeds 75kg, please consult our sales office or sales representative.

Note 2. Table of maximum speed



Allowable overhang ^{Note}

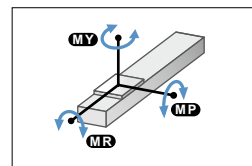


Horizontal installation (Unit: mm)

	A	B	C
20kg	3397	2841	1840
40kg	2795	1389	964
60kg	2200	530	450
80kg	1800	175	150
100kg	1500	130	110
120kg	1250	100	80
140kg	1100	80	65
160kg	950	60	50

Note. Distance from center of slider top to center of gravity of object being carried at a guide service life of 10,000 km.

Static loading moment



(Unit: N-m)

MY	MP	MR
830	831	730

Controller

Controller	Operating method
SR1-P20-R	Programming / I/O point trace /
RCX320-R	Remote command /
RCX221HP-R	Operation using RS-232C
RCX340	communication
TS-P220-R	I/O point trace /
	Remote command
RDV-P225-RBR2	Pulse train control

Cable carrier entry location

RH Horizontal, right **LH Horizontal, left**

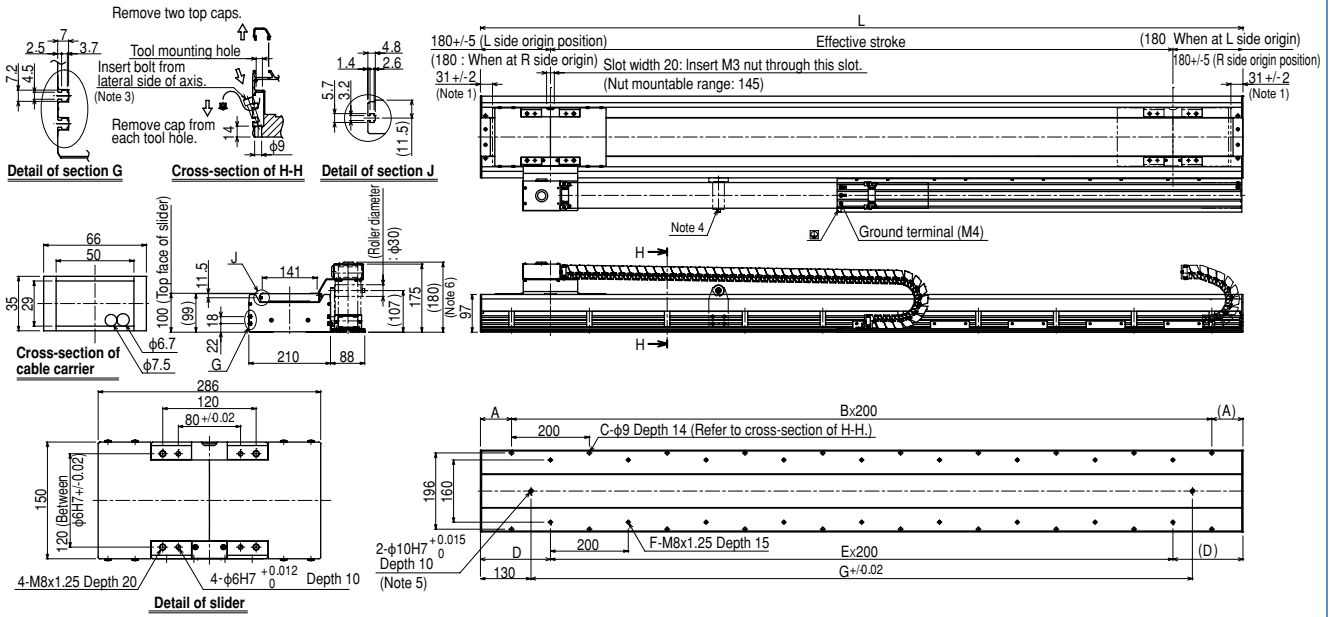
Note. Be sure to install in the direction as specified (in cable carrier take-out direction drawing and various specification drawings) individually. Installation in any other way will cause a failure. For requirement of installation in any way other than the above standard installation, please consult YAMAHA as special arrangement will be available.

Cable carrier

Cable and air tube guide φ8 flexible cable x 2, φ6 air tube x 3

Space for optional cable for users

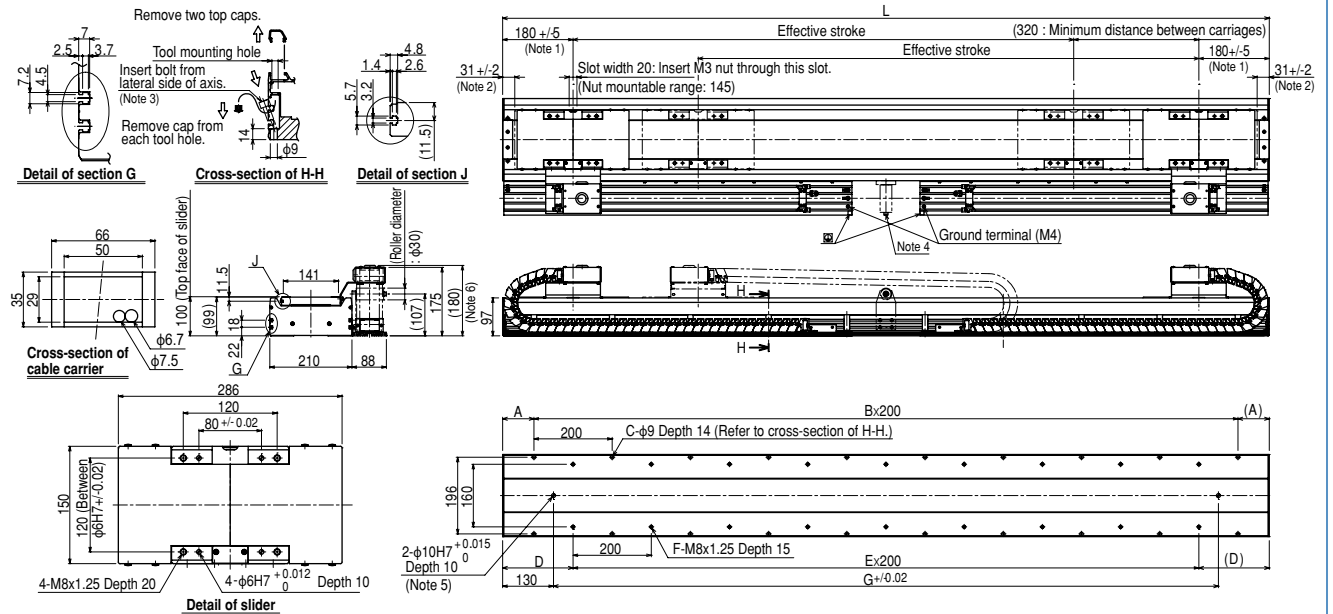
MF75 single carriage horizontal mount model **RH**



Note 1. Stop positions are determined by the mechanical stoppers at both ends.
 Note 2. The origin is set on the L side (as shown above) at the time of shipment. It can be changed to the R side by parameter setting.
 Note 3. The length under head of M8 hex socket head bolts for installing the robot body must not be longer than 30mm.
 Note 4. For models with a 3.000mm or longer stroke, a roller is installed to prevent the cable carrier from sagging.
 Note 5. When using $\phi 10$ H7 hole, do not insert the pin more than the depth stated in the drawing. Otherwise, the motor may break.
 Note 6. Depending on the stroke and the operating conditions, the cable carrier bending radius might be larger, making it higher than the dimensions shown in the diagram.

Effective stroke	1000	1100	1200	1300	1400	1500	1600	1700	1800	1900	2000	2100	2200	2300	2400	2500	2600	2700	2800	2900	3000	3100	3200	3300	3400	3500	3600	3700	3800	3900	4000
L	1360	1460	1560	1660	1760	1860	1960	2060	2160	2260	2360	2460	2560	2660	2760	2860	2960	3060	3160	3260	3360	3460	3560	3660	3760	3860	3960	4060	4160	4260	4360
A	180	230	80	130	180	230	80	130	180	230	80	130	180	230	80	130	180	230	80	130	180	230	80	130	180	230	80	130	180	230	80
B	5	5	7	7	7	7	9	9	9	9	11	11	11	11	13	13	13	13	13	15	15	15	17	17	17	17	19	19	19	19	21
C	12	12	16	16	16	16	20	20	20	20	24	24	24	24	28	28	28	28	28	32	32	32	32	36	36	36	36	40	40	40	44
D	80	130	180	230	80	130	180	230	80	130	180	230	80	130	180	230	80	130	180	230	80	130	180	230	80	130	180	230	80	130	180
E	6	6	6	6	8	8	8	8	10	10	10	10	12	12	12	12	14	14	14	14	16	16	16	16	18	18	18	18	20	20	20
F	14	14	14	14	18	18	18	18	22	22	22	22	26	26	26	26	30	30	30	30	34	34	34	34	38	38	38	38	42	42	42
G	1100	1200	1300	1400	1500	1600	1700	1800	1900	2000	2100	2200	2300	2400	2500	2600	2700	2800	2900	3000	3100	3200	3300	3400	3500	3600	3700	3800	3900	4000	4100
Weight (kg)	46	49	51	54	56	59	61	64	66	69	71	74	76	79	81	84	86	89	91	94	96	99	101	104	106	109	111	114	116	119	121

MF75D double carriage mount model **H**



Note 1. Position of table carriage when returned to the origin.
 Note 2. Stop positions are determined by the mechanical stoppers at both ends.
 Note 3. The length under head of M8 hex socket head bolts for installing the robot body must not be longer than 30mm.
 Note 4. For models with a 3.080mm or longer stroke, a roller is installed to prevent the cable carrier from sagging.
 Note 5. When using $\phi 10$ H7 hole, do not insert the pin more than the depth stated in the drawing. Otherwise, the motor may break.
 Note 6. Depending on the stroke and the operating conditions, the cable carrier bending radius might be larger, making it higher than the dimensions shown in the diagram.

Effective stroke	680	780	880	980	1080	1180	1280	1380	1480	1580	1680	1780	1880	1980	2080	2180	2280	2380	2480	2580	2680	2780	2880	2980	3080	3180	3280	3380	3480	3580	3680
L	1360	1460	1560	1660	1760	1860	1960	2060	2160	2260	2360	2460	2560	2660	2760	2860	2960	3060	3160	3260	3360	3460	3560	3660	3760	3860	3960	4060	4160	4260	4360
A	180	230	80	130	180	230	80	130	180	230	80	130	180	230	80	130	180	230	80	130	180	230	80	130	180	230	80	130	180	230	80
B	5	5	7	7	7	7	9	9	9	9	11	11	11	11	13	13	13	13	13	15	15	15	15	17	17	17	17	19	19	19	21
C	12	12	16	16	16	16	20	20	20	20	24	24	24	24	28	28	28	28	28	32	32	32	32	36	36	36	36	40	40	40	44
D	80	130	180	230	80	130	180	230	80	130	180	230	80	130	180	230	80	130	180	230	80	130	180	230	80	130	180	230	80	130	180
E	6	6	6	6	8	8	8	8	10	10	10	10	12	12	12	12	14	14	14	14	16	16	16	16	18	18	18	18	20	20	20
F	14	14	14	14	18	18	18	18	22	22	22	22	26	26	26	26	30	30	30	30	34	34	34	34	38	38	38	38	42	42	42
G	1100	1200	1300	1400	1500	1600	1700	1800	1900	2000	2100	2200	2300	2400	2500	2600	2700	2800	2900	3000	3100	3200	3300	3400	3500	3600	3700	3800	3900	4000	4100
Weight (kg)	57	60	62	65	67	70	73	75	78	81	83	86	88	91	94	96	99	101	104	107	109	112	114	117	120	122	125	127	130	133	135

MEMO

Articulated
robots
YA

Linear conveyor
modules
LCM

Single-axis robots
CX

Motorless single
axis actuator
Robonity

Compact
single-axis robots
TRANSEVO

Single-axis robots
FLIP-X

Linear motor
single-axis robots
PHASER

Cartesian
robots
XY-X

SCARA
robots
YK-X

Pick & place
robots
YP-X

CLEAN

CONTROLLER

INFORMATION